



**Lawn-Boy® Two Stage  
Snowthrower**

Model No. 17740—Serial No. 40000000 and Up

**Parts Catalog**



# Ordering Replacement Parts

To order replacement parts, please supply the part number, the quantity, and the description of each part desired.

## Understanding Reference Numbers

Each identified part in an illustration has a reference number. The reference number for a part also appears in the parts list, along with other information about the part.

This catalog uses two special reference number formats, one to indicate parts in a service assembly and another to indicate the quantity of a given part in an illustration.

## Service Assembly Reference Numbers

Parts in service assemblies have reference numbers in the form a:b. The a represents the reference number of the entire service assembly and the b represents a sequential number unique to each part within the service assembly.

For example, a wheel assembly might be identified by reference number 6, the tire by 6:1, the valve by 6:2, and the wheel by 6:3. When you order the assembly identified by reference number 6, you receive all parts identified by reference numbers 6:1, 6:2, and 6:3. However, you may also order any part individually. Reference numbers of this type appear in illustration and in parts lists.

## Reference Numbers Indicating Quantity

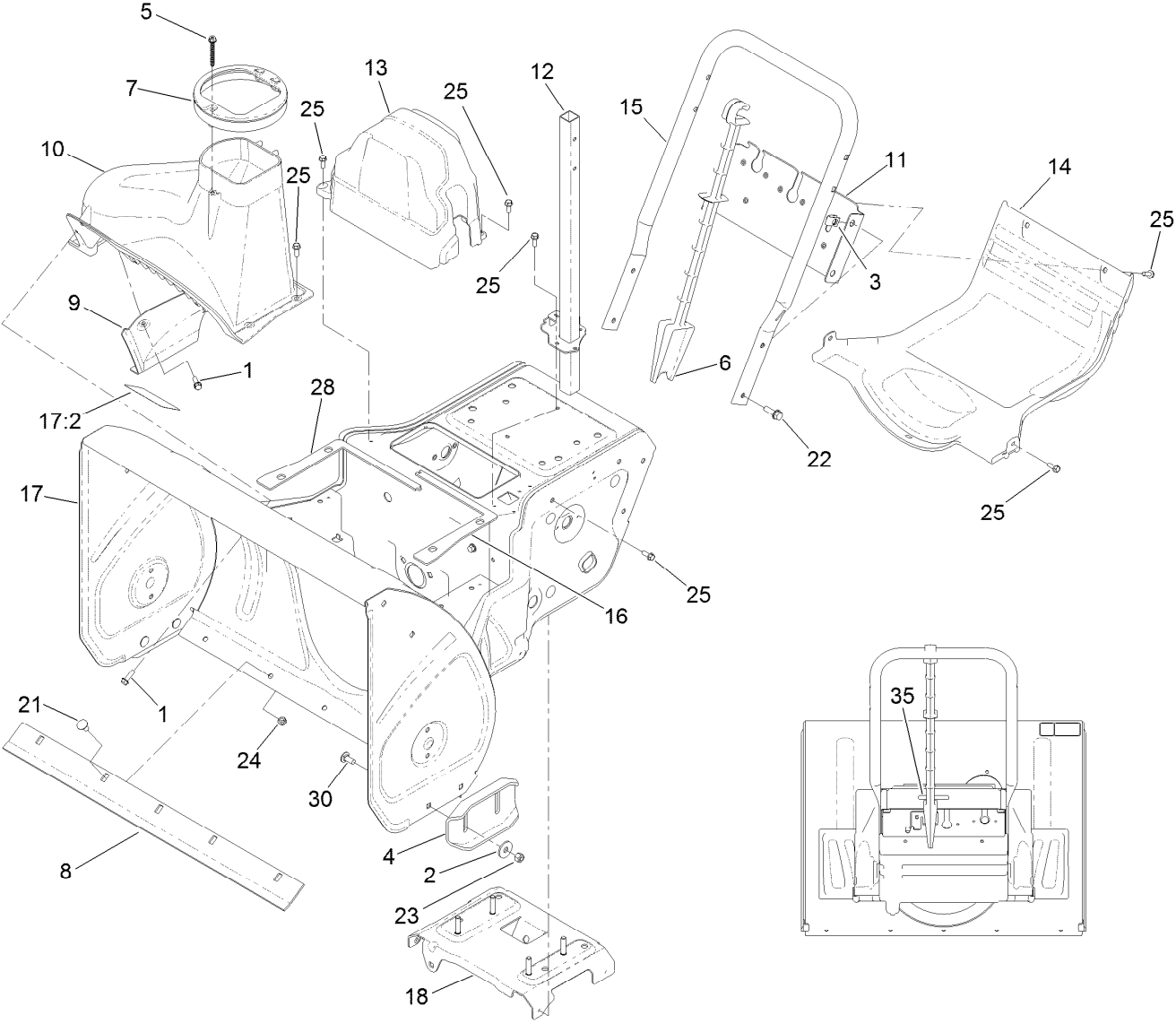
In an illustration, if a reference number indicates more than one part, the reference number has the form nX y. The n represents the quantity of the part, the X is the multiplication symbol, and the y represents the reference number.

For example, in an illustration, the reference number 2X 37 means that two of the parts identified by reference number 37 are indicated.

# Contents

Main Frame and Auger Housing Assembly .....	4
Pulley and Bellcrank Assembly .....	6
Impeller Drive Assembly .....	8
Drive Assembly .....	10
Gearbox, Auger and Impeller Assembly .....	12
24 Inch Auger Gearcase Assembly No. 120-3859 .....	14
Impeller Assembly .....	16
Engine Assembly .....	18
Fuel System and Carburetor Assembly .....	20
Intake and Exhaust Assembly .....	22
Ignition and Electrical Assembly .....	24
Crankcase Assembly .....	26
Governor Assembly .....	28
Piston and Head Assembly .....	30
Blower Housing and Shrouds Assembly .....	32
Engine Decal Assembly .....	34
Chute Assembly .....	36
Handle and Control Assembly .....	38
Control Assembly .....	40
Quick Lever Assembly .....	42
Attachments and Accessories .....	44

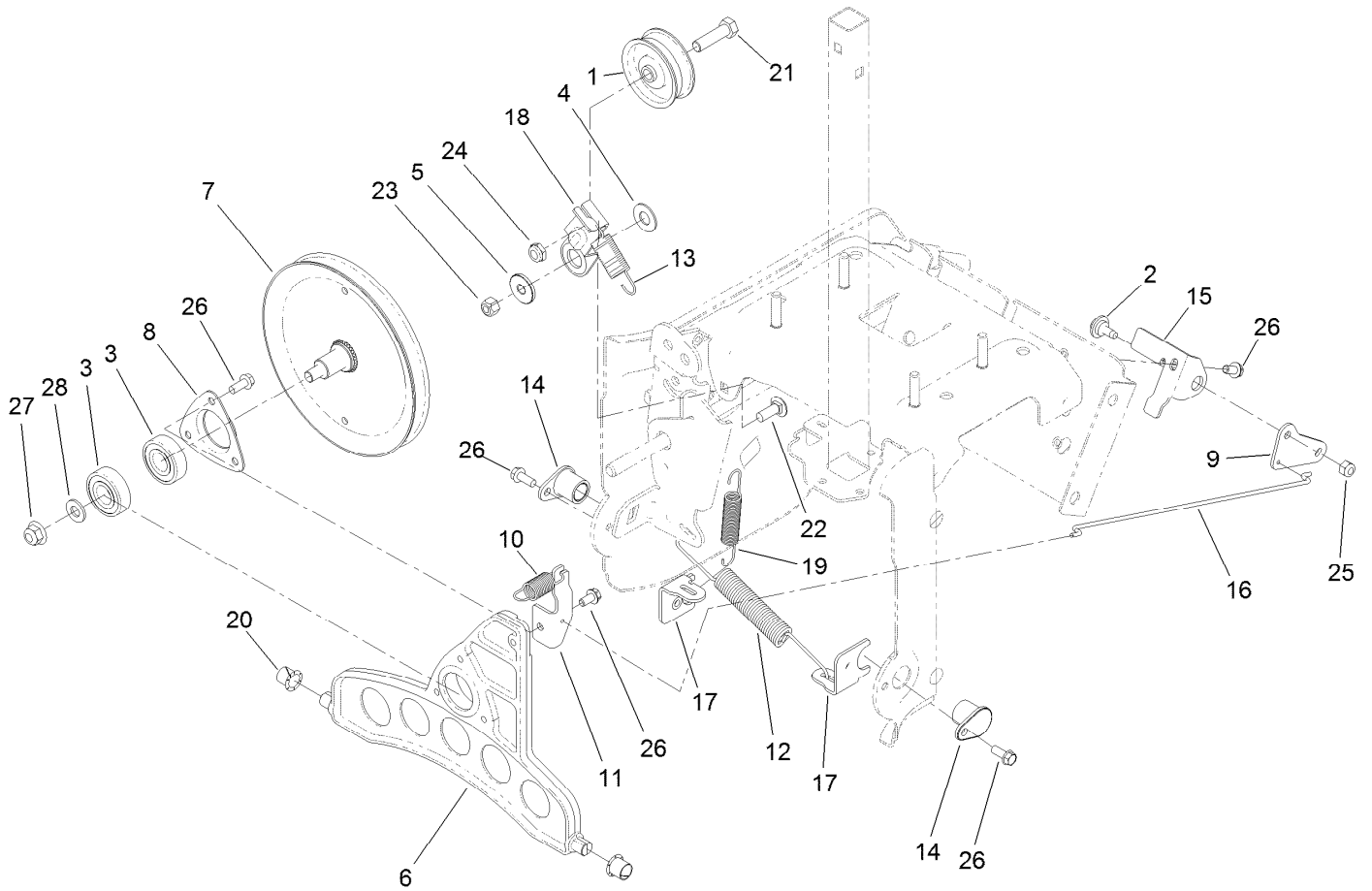
# Main Frame and Auger Housing Assembly



## Main Frame and Auger Housing Assembly (continued)

<i>Ref.</i>	<i>Part Number</i>	<i>Qty.</i>	<i>Description</i>	<i>Ref.</i>	<i>Part Number</i>	<i>Qty.</i>	<i>Description</i>
1	46-8091	6	Screw-HWH	15	120-7179-03	1	Handle-Lower
2	52-2861	4	Washer	16	120-7181	1	Seal-Housing, LH
3	94-2413	4	Nut-U	17	131-6468	1	Frame
4	106-4588-02	2	Skid	17:2	121-6817	1	Decal-Danger, Auger
5	114-3751	1	Screw-HWH, Plastite	18	136-7187	1	Brace-Frame
6	121-6833	1	Stick-Cleanout	21	3230-18	5	Screw-CARR
7	119-7626	1	Guide-Chute	22	3234-29	4	Screw-HHF
8	119-7601-02	1	Scraper-24 Inch	23	3296-29	4	Nut-Lock, NI
9	120-7158-02	1	Cover-Liner	24	3296-47	5	Nut-Lock, NI
10	120-7159	1	Cover	25	32144-85	17	Screw-HWH
11	120-7161-02	1	Brace-Frame	28	121-6841	1	Seal-Housing, RH
12	137-3412-03	1	Support-Chute	30	3230-23	4	Screw-CARR
13	120-7177	1	Cover-Belt	35	133-8061	1	Decal-Warning
14	120-7178	1	Cover-Lower				

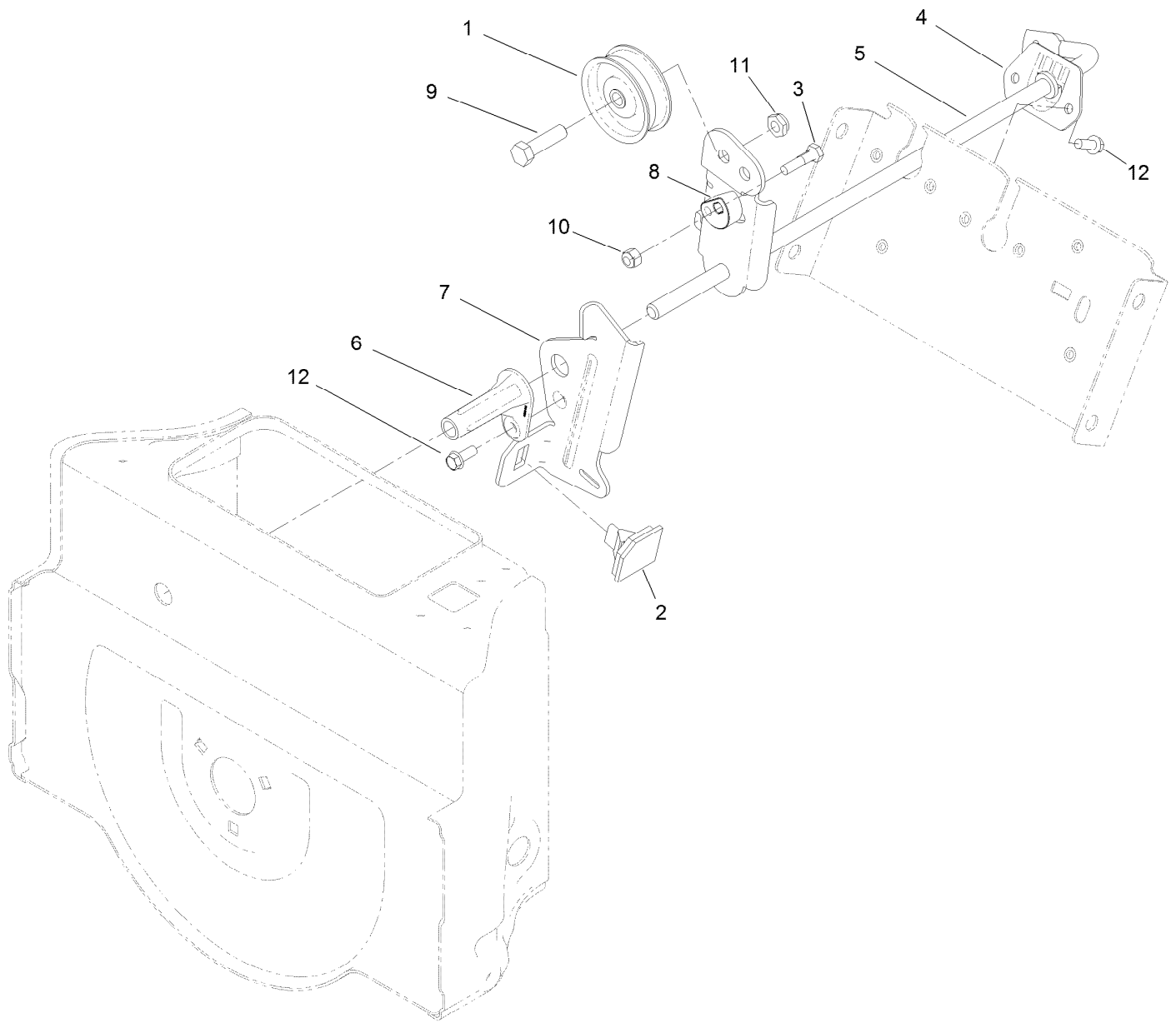
# Pulley and Bellcrank Assembly



## Pulley and Bellcrank Assembly (continued)

<i>Ref.</i>	<i>Part Number</i>	<i>Qty.</i>	<i>Description</i>	<i>Ref.</i>	<i>Part Number</i>	<i>Qty.</i>	<i>Description</i>
1	3-4244	1	Pulley-Idler	15	120-7165-03	1	Bracket-Bellcrank
2	92-9698	1	Screw-Shoulder	16	136-7155	1	Link-Drive
3	38-7820	2	Bearing-Ball	17	120-9271	2	Bracket-Anchor, Spring
4	25-5640	1	Washer	18	136-7159	1	Arm-Idler, Traction
5	117-7711	1	Bushing-Idler	19	120-9275	1	Spring-Extension
6	119-7645	1	Plate-Wheel, Friction	20	256-257	2	Bushing-Nyliner
7	136-7152	1	Traction Pulley ASM	21	323-29	1	Screw-HH
8	136-7124	1	Retainer-Bearing	22	3230-10	1	Bolt-CARR
9	119-7670-03	1	Bellcrank-Drive	23	3296-29	1	Nut-Lock, NI
10	136-7153	1	Spring-Extension	24	3296-59	1	Nut-Lock, NI
11	119-7679	1	Bracket-Plate, Traction	25	3296-73	1	Nut-Lock, NI
12	120-3883	1	Spring-Extension	26	32144-85	7	Screw-HWH
13	137-3435	1	Spring-Extension	27	104-8301	1	Nut-HF, NI
14	120-7156	2	Bushing-Plate, Traction	28	3256-24	1	Washer-Flat

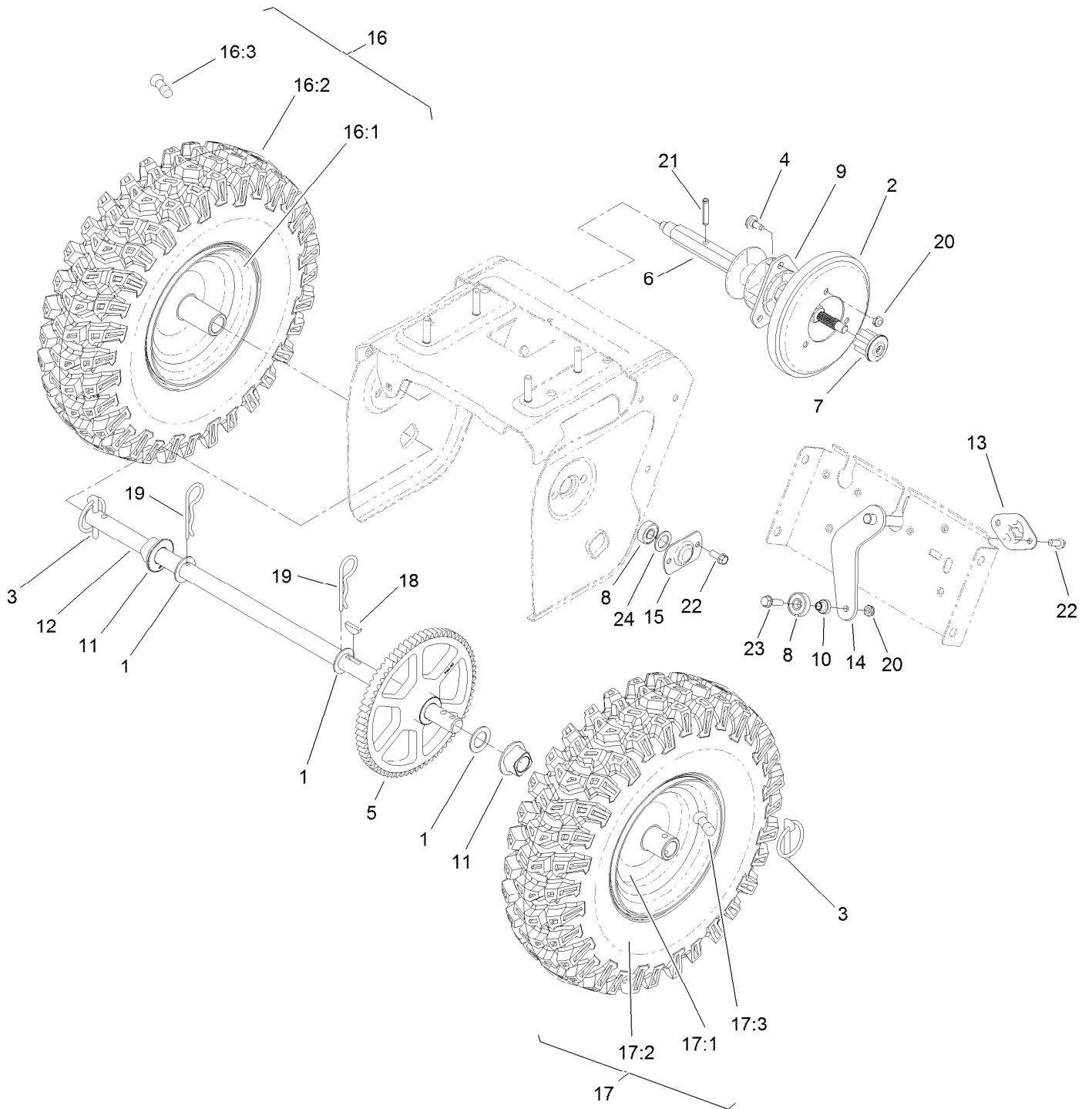
# Impeller Drive Assembly



## Impeller Drive Assembly (continued)

<i>Ref.</i>	<i>Part Number</i>	<i>Qty.</i>	<i>Description</i>	<i>Ref.</i>	<i>Part Number</i>	<i>Qty.</i>	<i>Description</i>
1	3-4244	1	Pulley-Idler	7	120-9257-03	1	Arm-Brake, Impeller
2	66-8060	1	Pad-Brake	8	120-9276	1	Eccentric-Brake, Impeller
3	136-8674	1	Bolt-Pivot, Eccentric	9	323-29	1	Screw-HH
4	120-7167	1	Bushing-Rod, Clutch	10	3296-42	1	Nut-Lock, NI
5	120-9254-03	1	Impeller Clutch ASM	11	3296-59	1	Nut-Lock, NI
6	120-9256	1	Pivot-Brake, Impeller	12	32144-85	3	Screw-HWH

# Drive Assembly

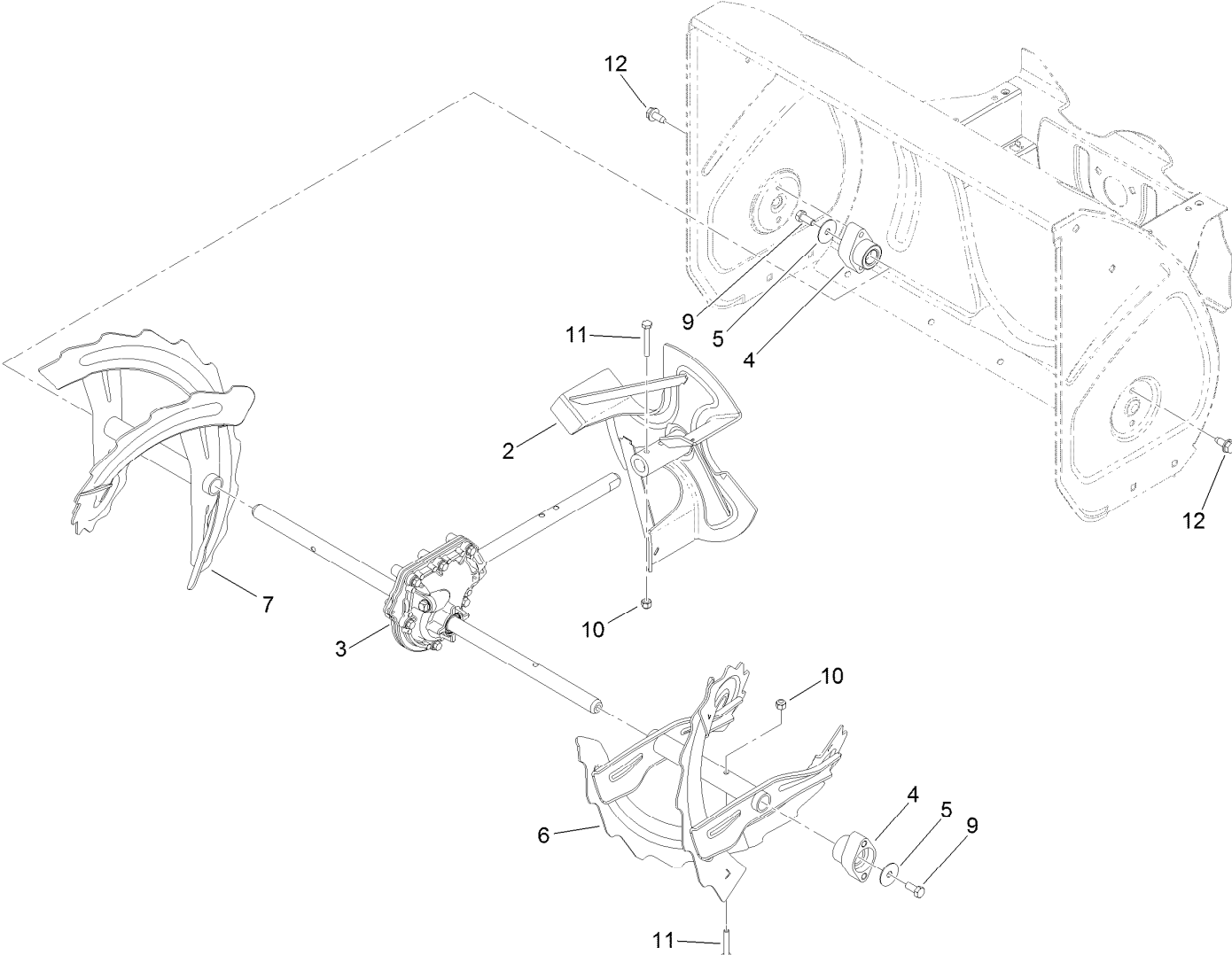


## Drive Assembly (continued)

<i>Ref.</i>	<i>Part Number</i>	<i>Qty.</i>	<i>Description</i>	<i>Ref.</i>	<i>Part Number</i>	<i>Qty.</i>	<i>Description</i>
1	3-8664	3	Washer-Thrust	16		1	LH Wheel And Tire ASM ●
2	119-1567	1	Wheel-Friction	16:1	121-1212	1	Wheel
3	107-3039	2	Klik Pin ASM	16:2	121-6820	1	Tire
4	120-7950	3	Screw-Shoulder	16:3	232-27	1	Stem-Valve
5	119-7613	1	Gear-Axle	17		1	RH Wheel And Tire ASM ●
6	119-7615	1	Shaft-Hex	17:1	121-1212	1	Wheel
7	119-7616	1	Gear-Pinion, 8 Tooth	17:2	121-6820	1	Tire
8	121-6835	3	Bearing-Ball	17:3	232-27	1	Stem-Valve
9	119-7630	1	Trunnion	18	3257-7	1	Key-Woodruff
10	119-7684	1	Spacer-Plate, Shift	19	3290-343	2	Pin-Hair
11	120-7162	2	Bushing-Axle	20	3296-56	4	Nut-Lock, NI
12	120-7180	1	Axle	21	32121-9	1	Pin-Roll, Slotted
13	120-7191	1	Retainer-Plate, Shift	22	32144-85	6	Screw-HWH
14	120-7193-03	1	Shift Plate ASM	23	32144-86	1	Screw-HWHTF
15	136-7158	2	Retainer-Bearing	24	121-6840	2	Washer-Rubber

● Not serviced separately

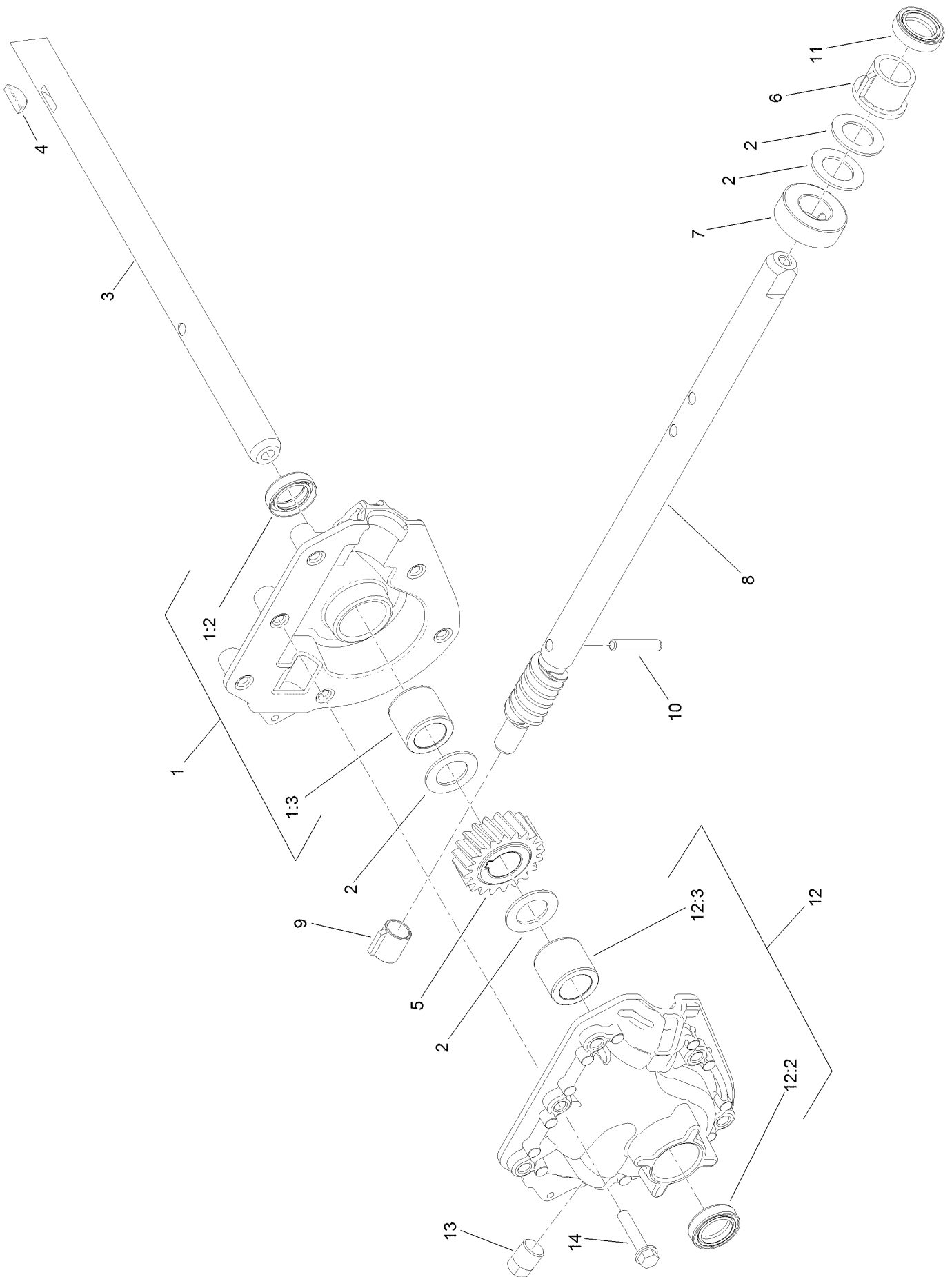
# Gearbox, Auger and Impeller Assembly



## Gearbox, Auger and Impeller Assembly (continued)

<i>Ref.</i>	<i>Part Number</i>	<i>Qty.</i>	<i>Description</i>	<i>Ref.</i>	<i>Part Number</i>	<i>Qty.</i>	<i>Description</i>
2	119-7612-03	1	Impeller ASM	7	120-9290-03	1	RH Auger ASM
3	120-3859	1	Gearcase ASM	9	322-3	2	Screw-HH
4	120-3860	2	Bearing-Augur	10	3296-42	4	Nut-Lock, NI
5	120-3862	2	Washer-Thrust	11	321-10	4	Screw-HH
6	120-9287-03	1	LH Auger ASM	12	32144-70	4	Screw-HWHTF

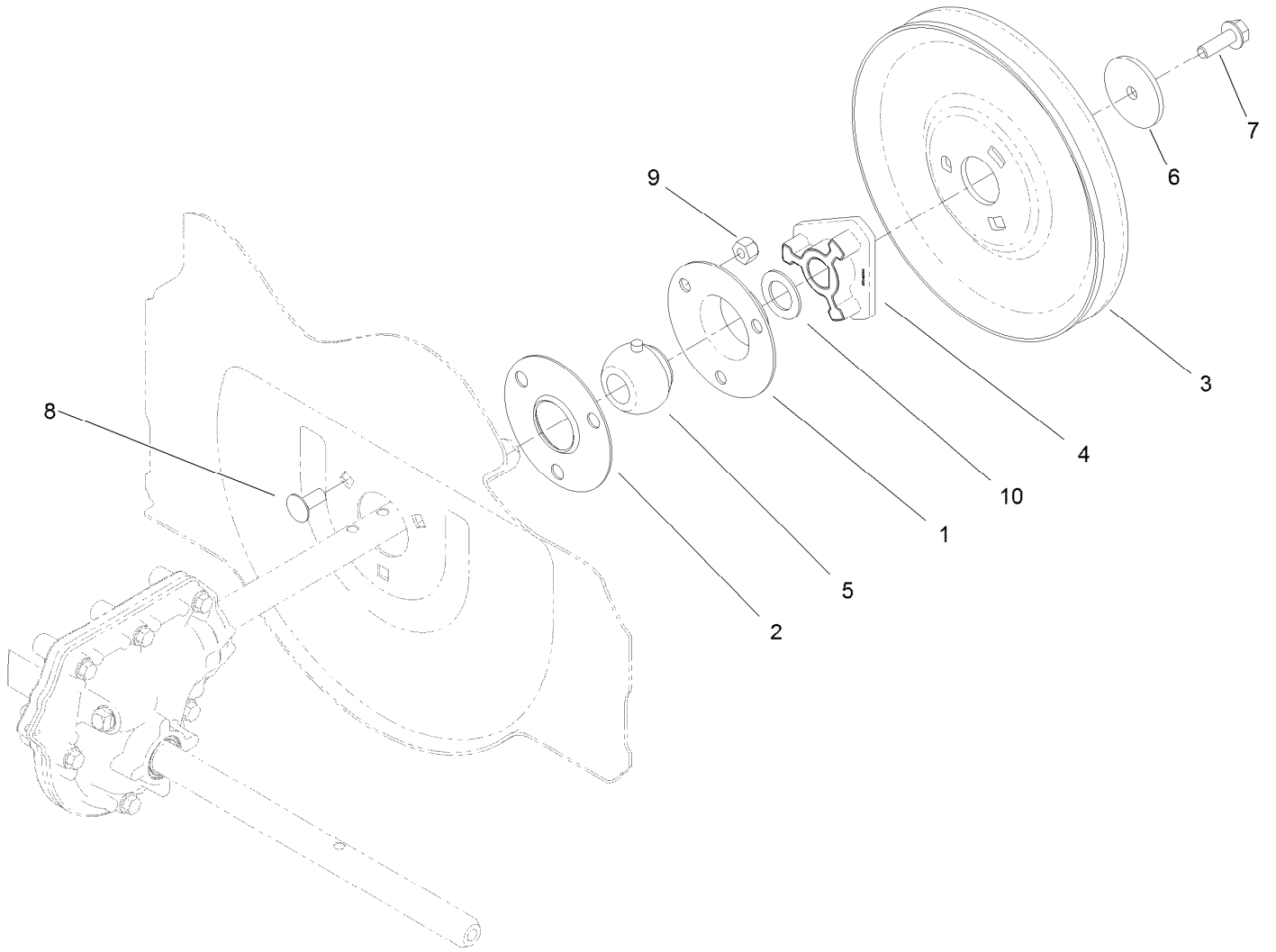
# 24 Inch Auger Gearcase Assembly No. 120-3859



## 24 Inch Auger Gearcase Assembly No. 120-3859 (continued)

<i>Ref.</i>	<i>Part Number</i>	<i>Qty.</i>	<i>Description</i>	<i>Ref.</i>	<i>Part Number</i>	<i>Qty.</i>	<i>Description</i>
1	121-1209	1	RH Auger Gearcase ASM	8	121-1234	1	Shaft-Impeller, Rolled
1:2	121-6634	1	Seal-Shaft	9	62-1150	1	Bushing-Worm
1:3	120-9269	1	Bushing-Sleeve	10	107-8899	1	Pin-Dowel
2	119-7640	4	Washer-Thrust	11	121-6634	1	Seal-Shaft
3	120-3858	1	Shaft-Output, Auger	12	121-1210	1	LH Auger Gearcase ASM
4	3257-5	1	Key-Woodruff	12:2	121-6634	1	Seal-Shaft
5	119-1576	1	Gear-Helical, 20 Tooth	12:3	120-9269	1	Bushing-Sleeve
6	119-7635	1	Bushing-Input	13	121-6832	1	Plug-Pipe, SQH
7	119-7636	1	Collar-Thrust	14	108-4862	6	Screw-HWHTF

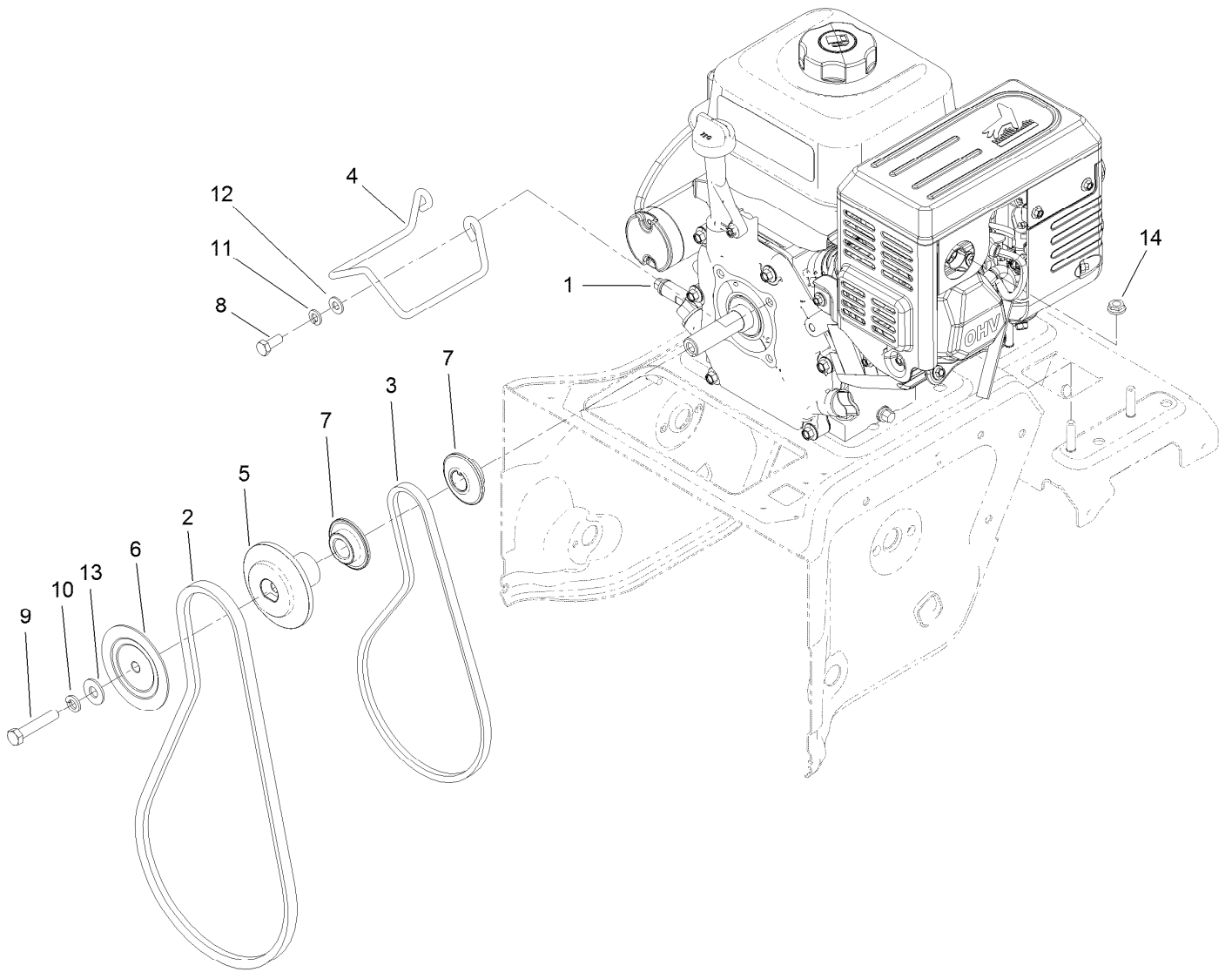
# Impeller Assembly



## Impeller Assembly (continued)

<i>Ref.</i>	<i>Part Number</i>	<i>Qty.</i>	<i>Description</i>	<i>Ref.</i>	<i>Part Number</i>	<i>Qty.</i>	<i>Description</i>
1	26-6110	1	Flange-Cup, Bearing	6	121-1230	1	Washer-Plain
2	26-6120	1	Flange-Cup, Bearing	7	115-5142	1	Screw-HHF
3	136-7157	1	Pulley-Impeller	8	3230-23	3	Screw-CARR
4	120-9264	1	Hub-Impeller, Pulley	9	3296-29	3	Nut-Lock, NI
5	120-9272	1	Bearing	10	119-7640	1	Washer-Thrust

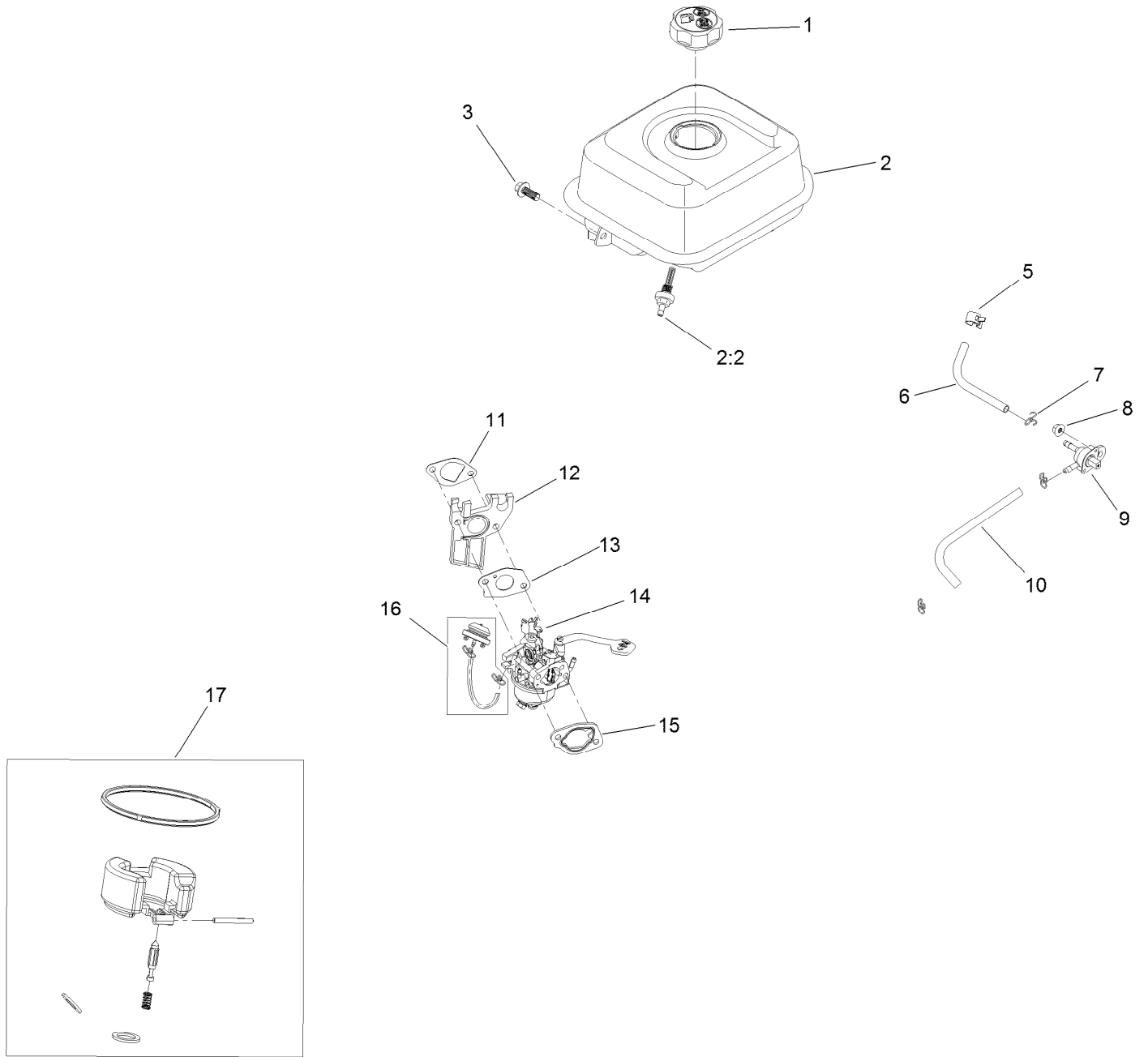
# Engine Assembly



## Engine Assembly (continued)

<i>Ref.</i>	<i>Part Number</i>	<i>Qty.</i>	<i>Description</i>	<i>Ref.</i>	<i>Part Number</i>	<i>Qty.</i>	<i>Description</i>
1	127-9034	1	Engine-G210Fds-1	8	33114-020	2	Screw-HH
2	120-3892	1	Belt-V	9	120-2302	1	Screw-HH
3	120-3893	1	Belt-V	10	3253-21	1	Washer-Lock
4	136-7156	1	Guide-Belt	11	3253-4	2	Washer-Lock
5	120-9283	1	Pulley-Auger, Rear	12	3256-23	2	Washer-Plain
6	120-9284	1	Pulley-Auger, Front	13	3256-4	1	Washer-Flat
7	121-6804	2	Pulley-Traction	14	32128-20	4	Nut-HF

# Fuel System and Carburetor Assembly

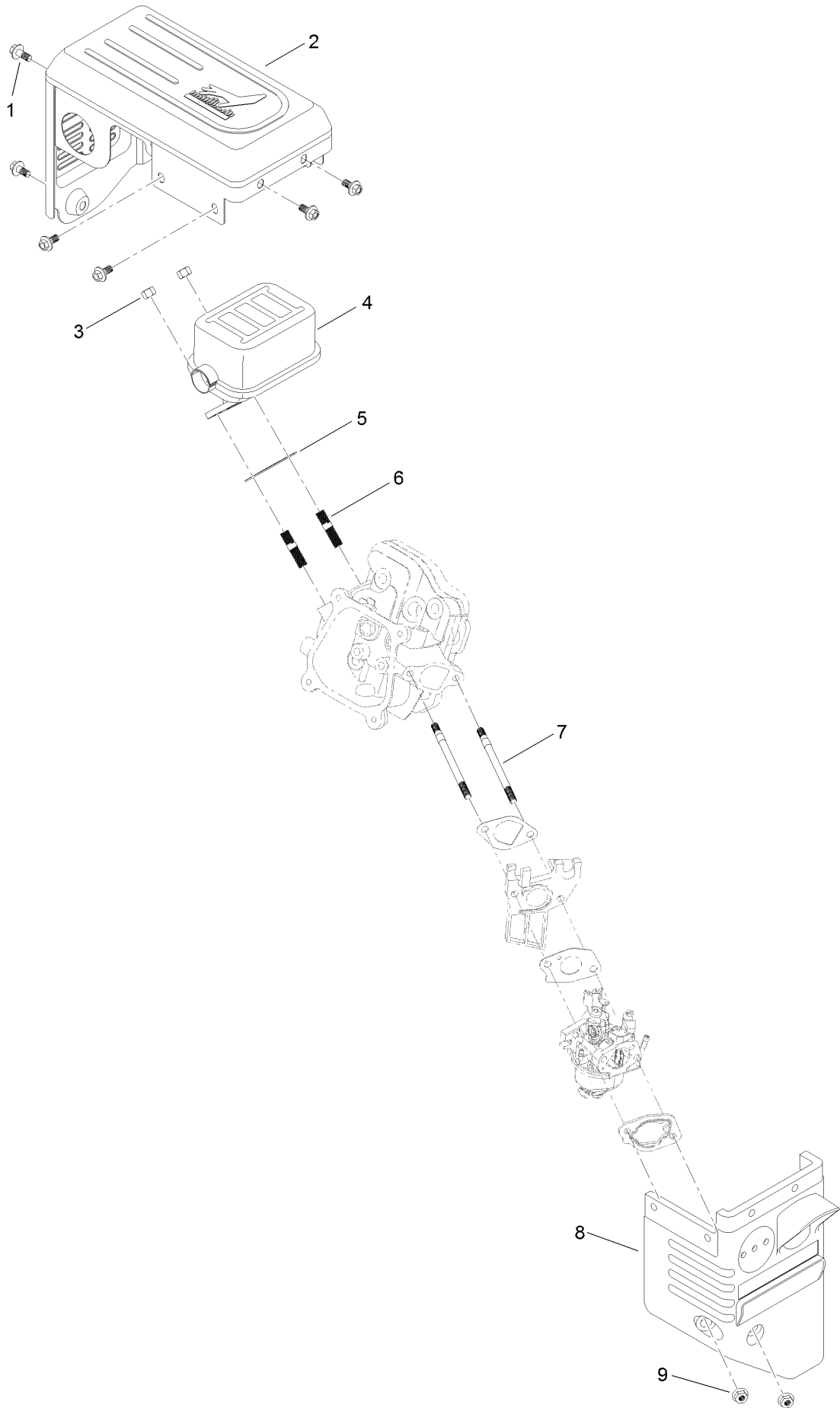


## Fuel System and Carburetor Assembly (continued)

<i>Ref.</i>	<i>Part Number</i>	<i>Qty.</i>	<i>Description</i>	<i>Ref.</i>	<i>Part Number</i>	<i>Qty.</i>	<i>Description</i>
1	133-9823	1	Cap-Fuel	10	127-9384	1	Hose-Fuel, Formed
2	127-9497	1	Fuel Tank And Filter ASM	11	121-0076	1	Gasket-Carburetor
2:2	127-9065	1	Filter-Fuel	12	121-0077	1	Insulator-Carburetor
3	121-0294	1	Screw-HHF	13	121-0078	1	Gasket-Carburetor
5	127-9120	1	Clamp-Hose	14	127-9111	1	Carburetor ASM
6	127-9118	1	Hose-Fuel, Formed	15	121-0080	1	Gasket-Carburetor
7	121-0087	3	Clamp-Hose	16	127-9079	1	Primer Kit
8	120-4236	1	Nut-Flange	17	127-9394	1	Internal Carb Service Kit
9	127-9117	1	Valve-Fuel	99	127-9301	1	High Altitude Kit - G210 ●

● Not illustrated

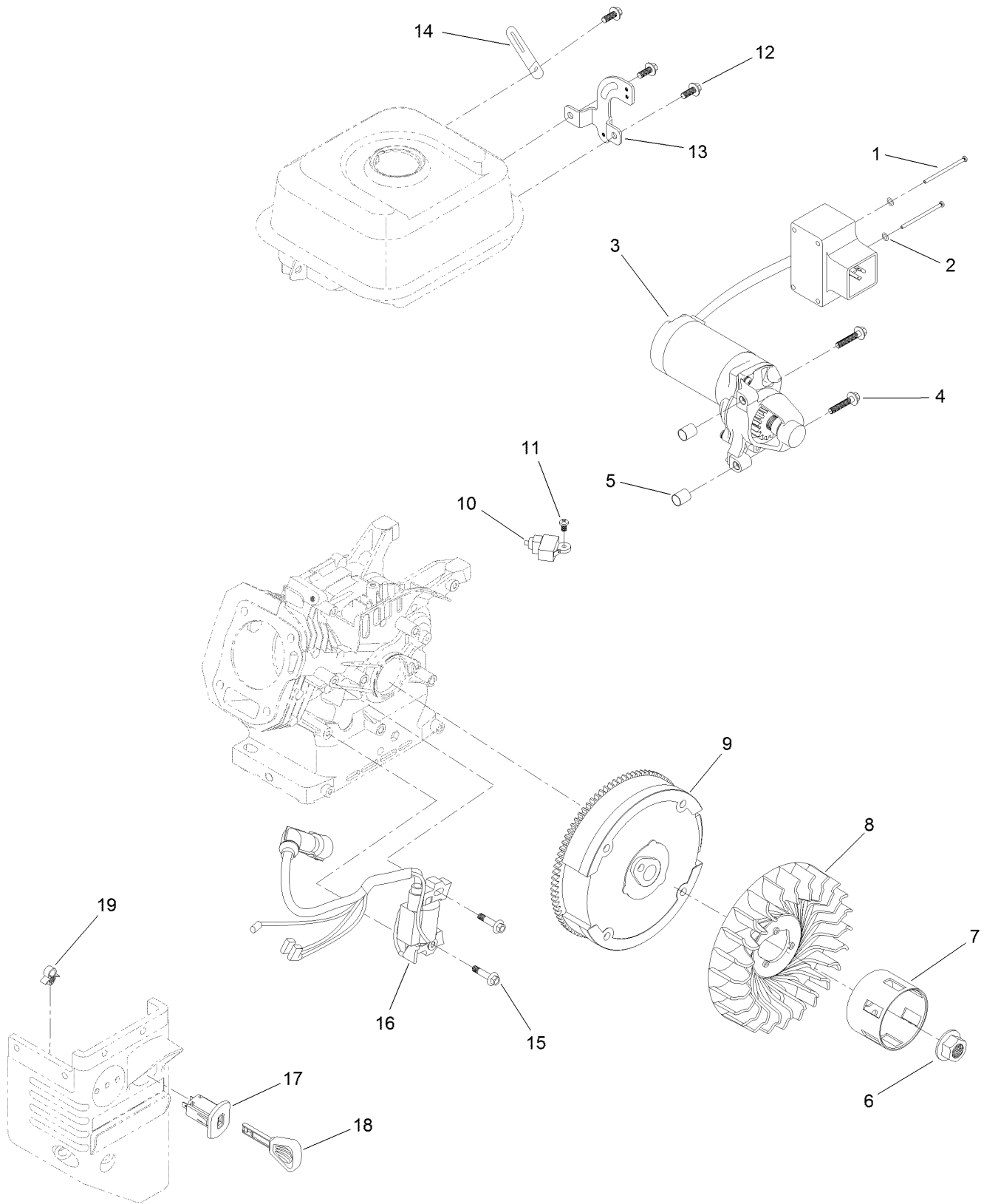
# Intake and Exhaust Assembly



## Intake and Exhaust Assembly (continued)

<i>Ref.</i>	<i>Part Number</i>	<i>Qty.</i>	<i>Description</i>	<i>Ref.</i>	<i>Part Number</i>	<i>Qty.</i>	<i>Description</i>
1	121-0294	6	Screw-HHF	6	121-0464	2	Stud-Exhaust
2	136-7779	1	Guard-Muffler	7	121-4112	2	Stud-Intake
3	121-0199	2	Nut-HH	8	127-9112	1	Box-Heater
4	127-9128	1	Muffler ASM	9	121-0308	2	Nut-Flange
5	121-0167	1	Gasket-Exhaust				

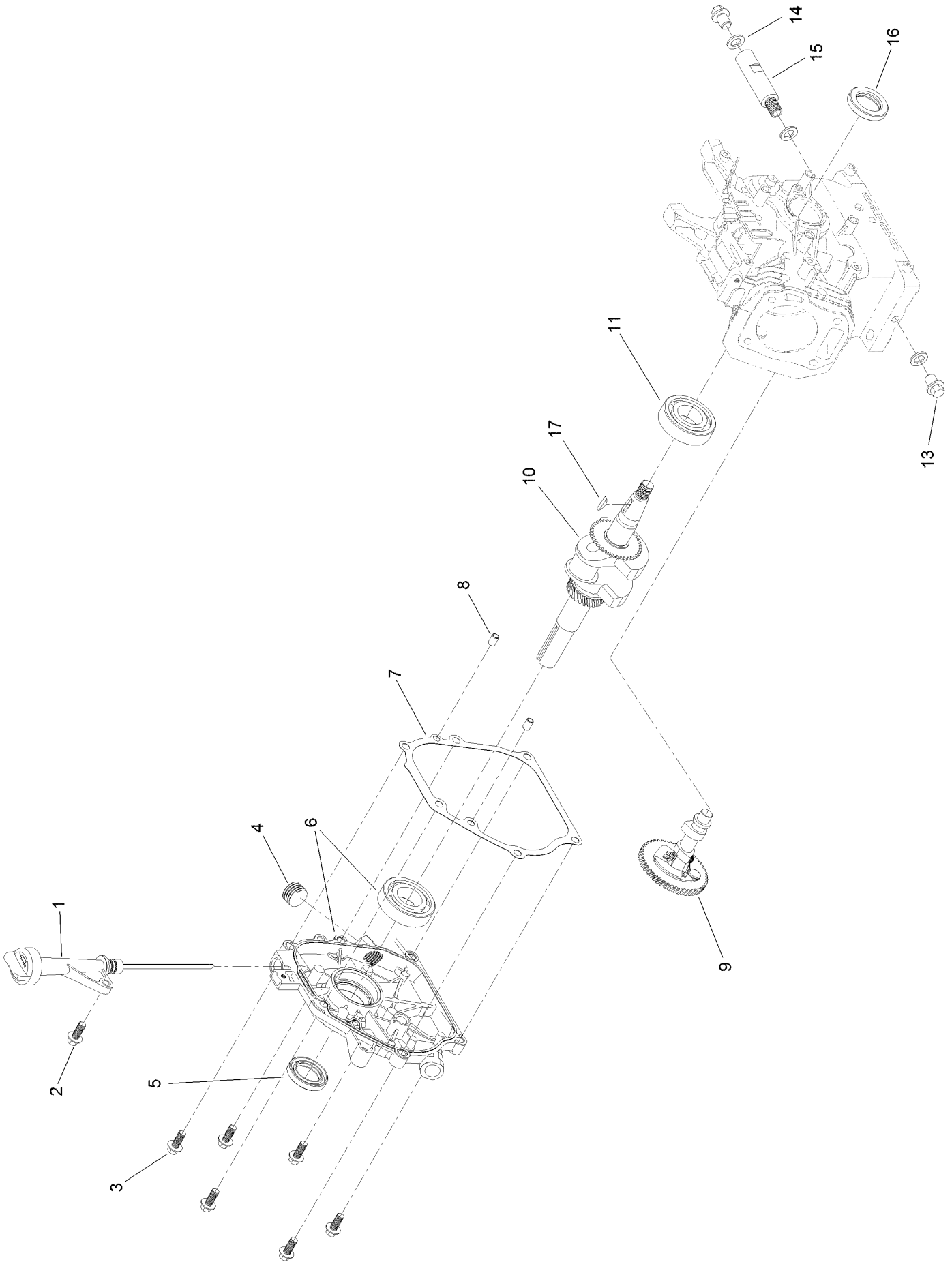
# Ignition and Electrical Assembly



## Ignition and Electrical Assembly (continued)

<i>Ref.</i>	<i>Part Number</i>	<i>Qty.</i>	<i>Description</i>	<i>Ref.</i>	<i>Part Number</i>	<i>Qty.</i>	<i>Description</i>
1	121-0306	2	Screw-Bhp	11	120-4461	1	Screw-PPH
2	121-0312	2	Washer-Plain	12	127-9123	3	Screw-HHF
3	136-7776	1	Motor-Starter	13	127-9124	1	Bracket
4	133-1546	2	Screw-Flange	14	121-0017	1	Clip-Harness, Wire
5	121-0055	2	Pin-Dowel	15	121-0097	2	Screw-HHF
6	121-0047	1	Nut-Flange	16	133-9996	1	Ignition Coil ASM
7	127-9106	1	Cup-Starter	17	121-0283	1	Switch-Key
8	127-9002	1	Fan	18	117-7728	1	Key
9	127-9005	1	Flywheel	19	121-0326	1	Clip
10	121-0284	1	Switch-Kill, Engine				

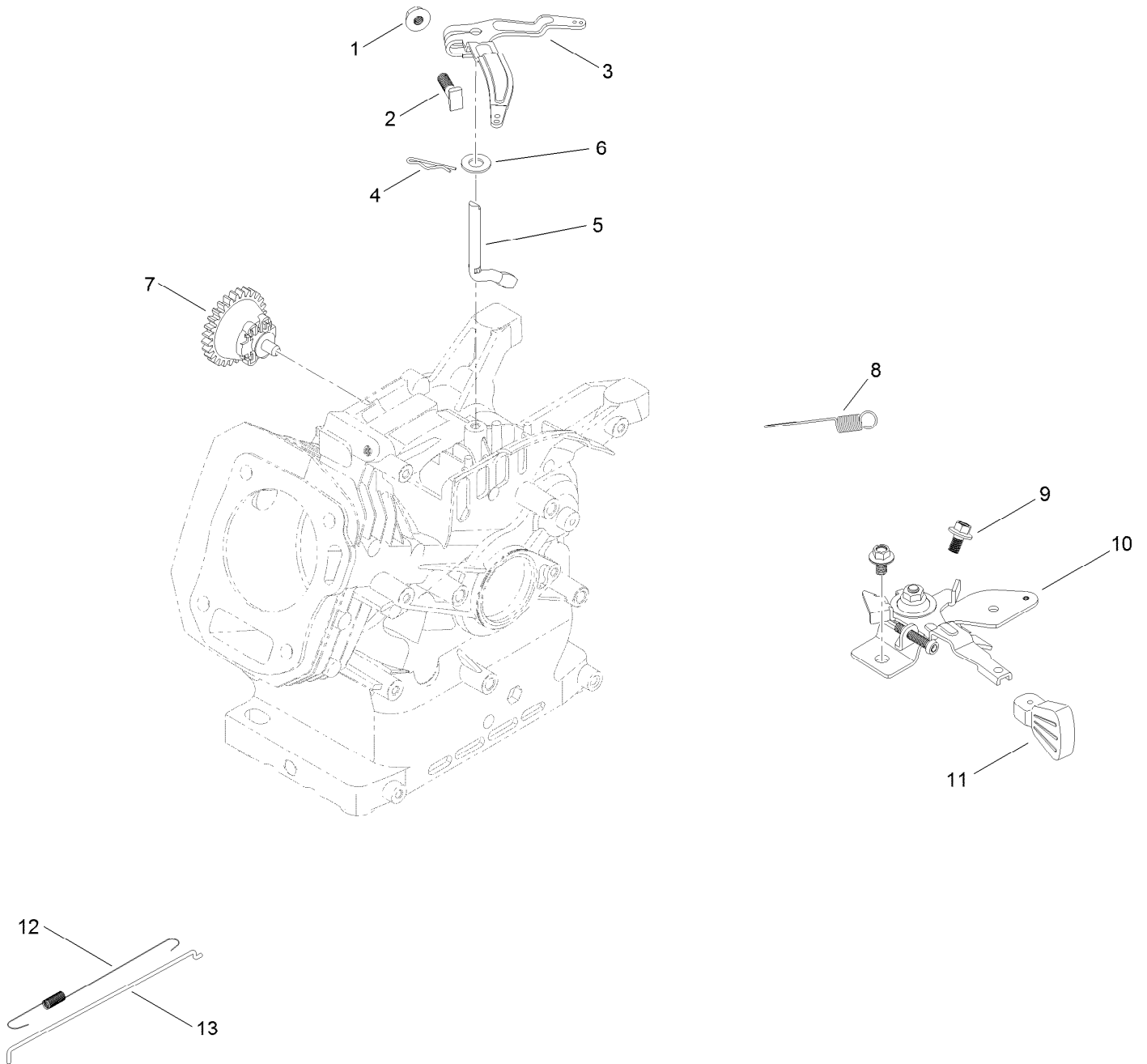
# Crankcase Assembly



## Crankcase Assembly (continued)

<i>Ref.</i>	<i>Part Number</i>	<i>Qty.</i>	<i>Description</i>	<i>Ref.</i>	<i>Part Number</i>	<i>Qty.</i>	<i>Description</i>
1	133-9837	1	Oil Fill ASM	9	133-9836	1	Camshaft
2	127-9123	1	Screw-HHF	10	127-9496	1	Crankshaft
3	121-4114	6	Screw-HHF	11	121-0056	1	Bearing-Ball
4	133-9805	1	Plug-Drain	13	121-0030	2	Screw-HHF
5	121-0209	1	Seal-Oil	14	121-0048	3	Washer-Plain
6	133-9835	1	Crankcase Cover ASM	15	127-9104	1	Tube-Drain, Oil
7	121-0105	1	Gasket-Cover, Crankcase	16	121-0208	1	Seal-Oil
8	121-0054	2	Pin-Dowel	17	120-4320	1	Key-Woodruff

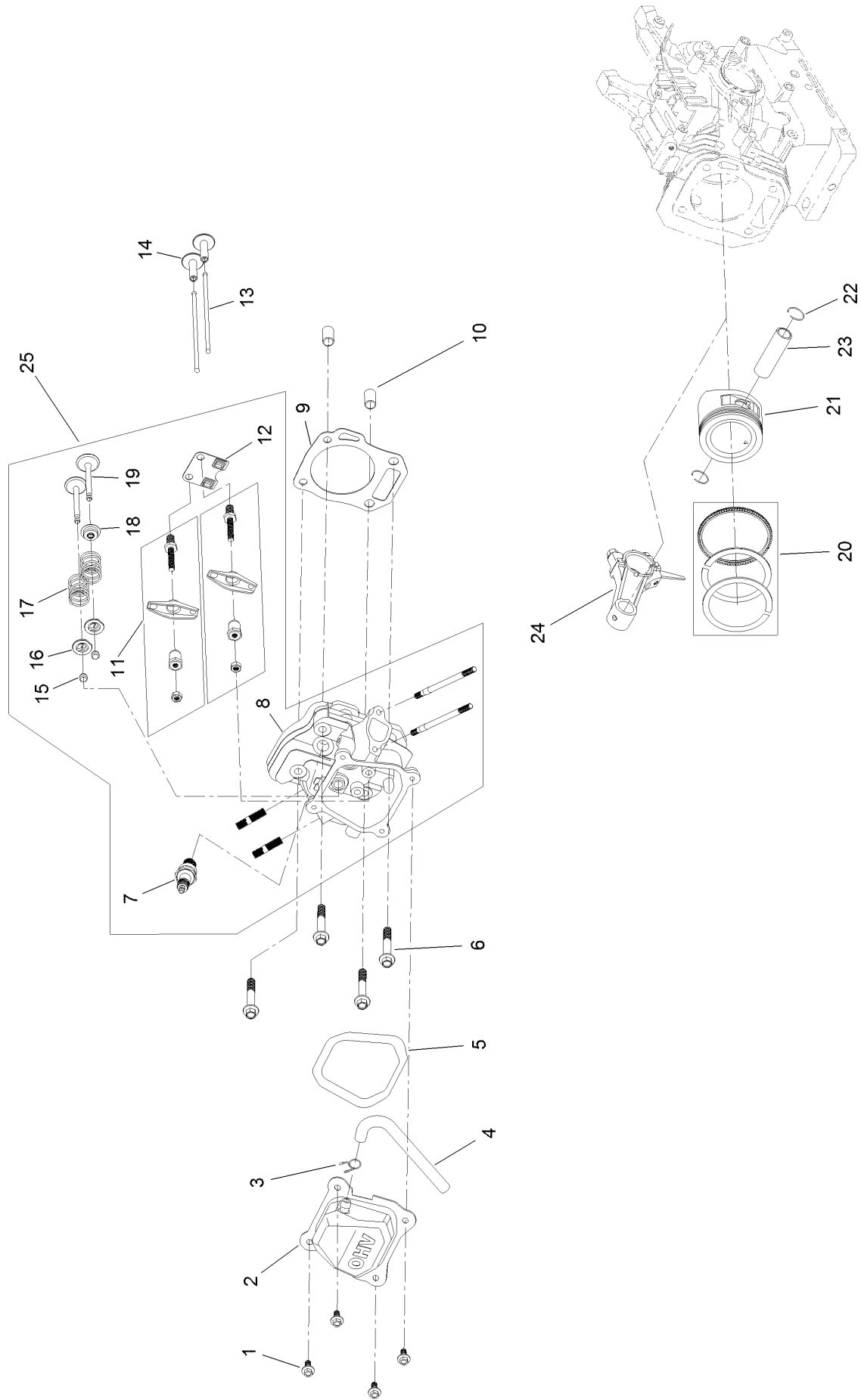
# Governor Assembly



## Governor Assembly (continued)

<i>Ref.</i>	<i>Part Number</i>	<i>Qty.</i>	<i>Description</i>	<i>Ref.</i>	<i>Part Number</i>	<i>Qty.</i>	<i>Description</i>
1	120-4236	1	Nut-Flange	8	127-9114	1	Spring-Governor
2	120-4238	1	Bolt-Arm, Governor	9	121-0118	2	Screw-HHF
3	127-9102	1	Arm-Governor	10	127-9113	1	Speed Control ASM
4	120-4256	1	Pin-Hair	11	121-0269	1	Knob-Control, Throttle
5	136-7763	1	Shaft-Governor	12	121-0153	1	Spring-Return, Throttle
6	121-0498	1	Washer-Plain	13	121-0148	1	Rod-Governor
7	133-9994	1	Governor Gear ASM				

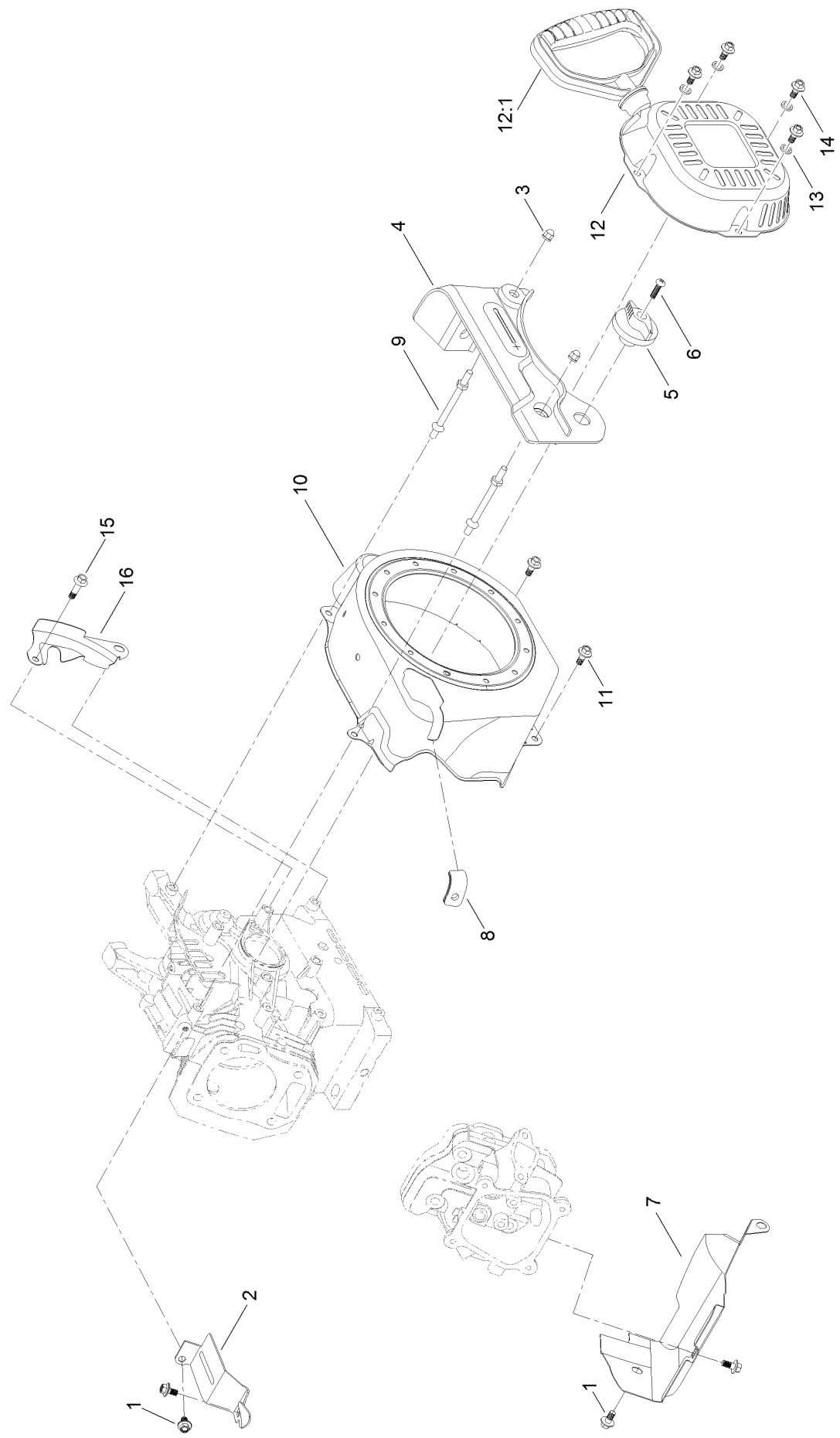
# Piston and Head Assembly



## Piston and Head Assembly (continued)

<i>Ref.</i>	<i>Part Number</i>	<i>Qty.</i>	<i>Description</i>	<i>Ref.</i>	<i>Part Number</i>	<i>Qty.</i>	<i>Description</i>
1	120-4454	4	Screw-HHF	14	127-9015	2	Tappet-Valve
2	127-9094	1	Cover-Valve	15	121-4116	2	Rotator-Valve
3	127-9408	1	Clamp-Hose	16	121-4117	2	Retainer-Spring, Valve
4	127-9095	1	Tube-Breather	17	127-9014	2	Spring-Valve
5	121-0109	1	Gasket-Cover, Valve	18	121-4202	1	Seal-Stem, Valve
6	121-4110	4	Screw-HHF	19	127-9016	1	Valve Set
7	81-3250	1	Spark Plug	20	121-4295	1	Ring Set, Piston
8	127-9013	1	Head-Cylinder	21	121-4293	1	Piston
9	127-9000	1	Gasket-Head, Cylinder	22	121-0313	2	Clip-Pin, Piston
10	121-0053	2	Pin-Dowel	23	121-4128	1	Pin-Piston
11	120-4475	2	Rocker Arm ASM	24	127-9017	1	Connecting Rod ASM
12	121-4120	1	Plate-Guide, Push Rod	25	133-9839	1	Complete Head ASM
13	121-4121	2	Rod-Push				

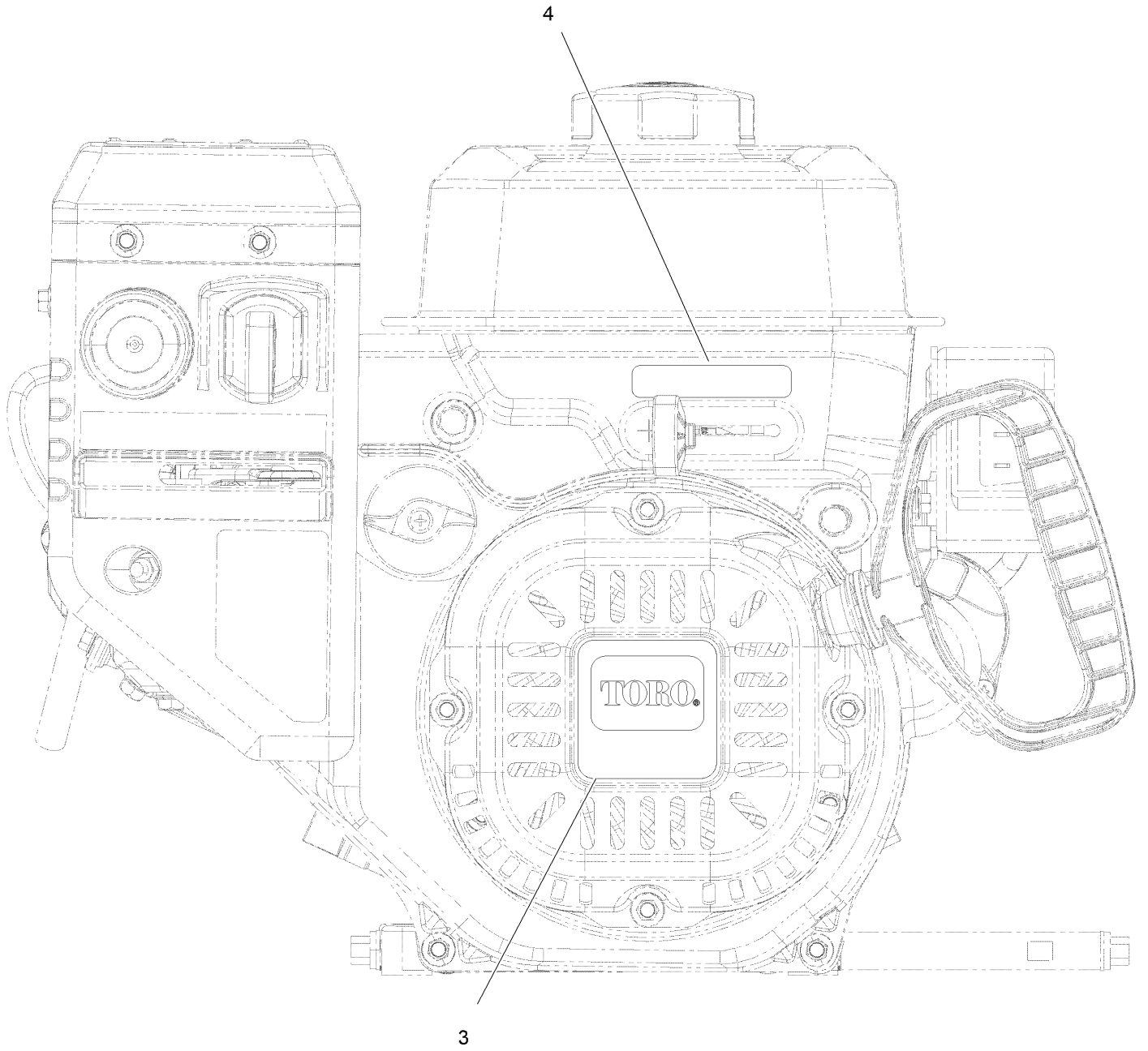
# Blower Housing and Shrouds Assembly



## Blower Housing and Shrouds Assembly (continued)

<i>Ref.</i>	<i>Part Number</i>	<i>Qty.</i>	<i>Description</i>	<i>Ref.</i>	<i>Part Number</i>	<i>Qty.</i>	<i>Description</i>
1	121-0118	4	Screw-HHF	10	127-9108	1	Shroud-Blower
2	127-9097	1	Baffle	11	121-0294	2	Screw-HHF
3	127-9383	2	Nut-Acorn	12	127-9109	1	Recoil Starter ASM
4	127-9116	1	Panel-Control	12:1	121-0287	1	Handle-Recoil
5	121-0268	1	Knob-Valve, Fuel	13	127-9380	4	Washer-Plain
6	121-0305	1	Screw-Bhp	14	127-9031	4	Screw-HHF
7	127-9096	1	Shroud-Lower	15	120-4454	1	Screw-HHF
8	127-9107	1	Block-Rubber	16	127-9121	1	Shield-Flywheel
9	127-9110	2	Stud-Mount				

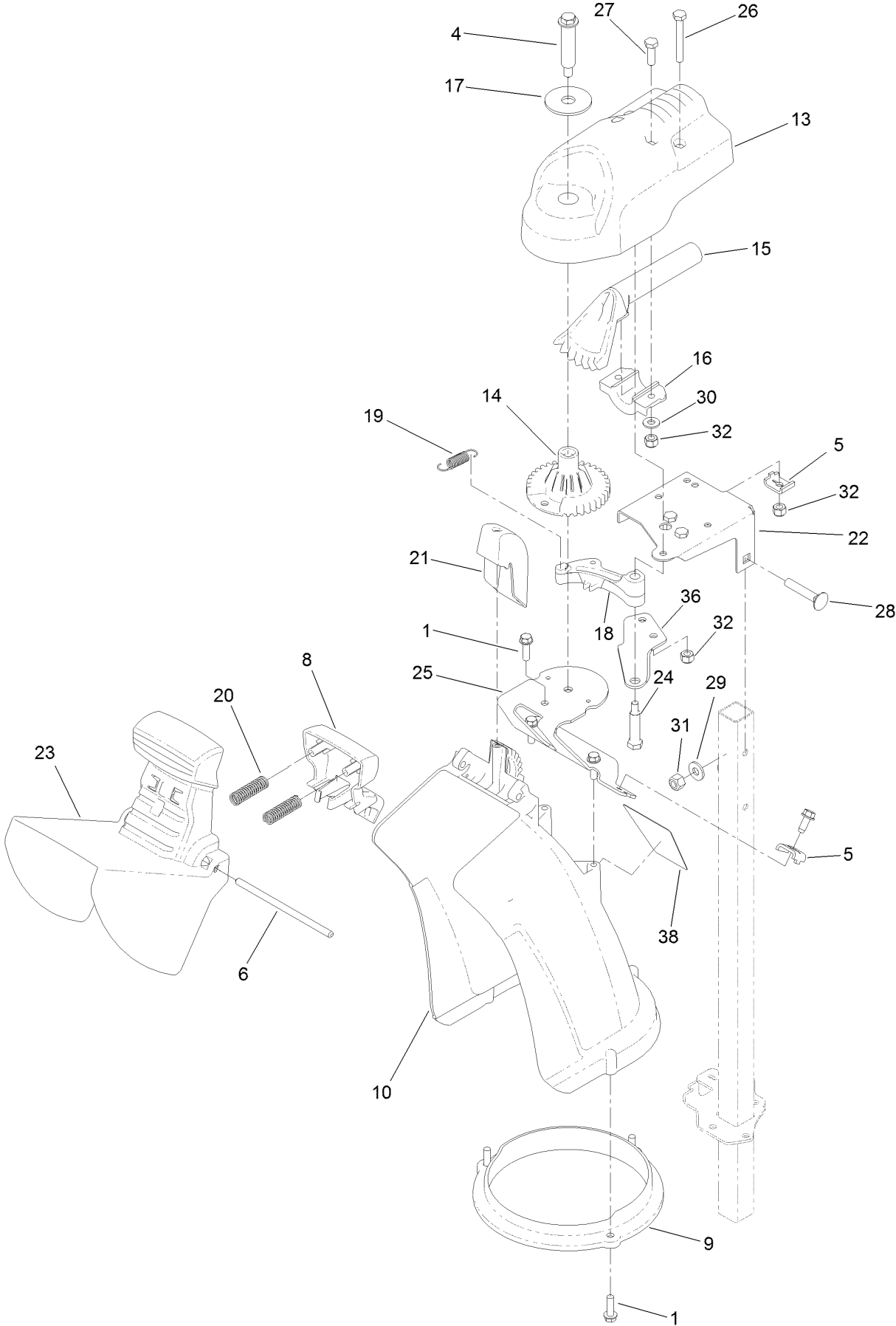
# Engine Decal Assembly



## Engine Decal Assembly (continued)

<i>Ref.</i>	<i>Part Number</i>	<i>Qty.</i>	<i>Description</i>
3	138-8458	1	Decal-Recoil
4	131-6487	1	Decal-Throttle

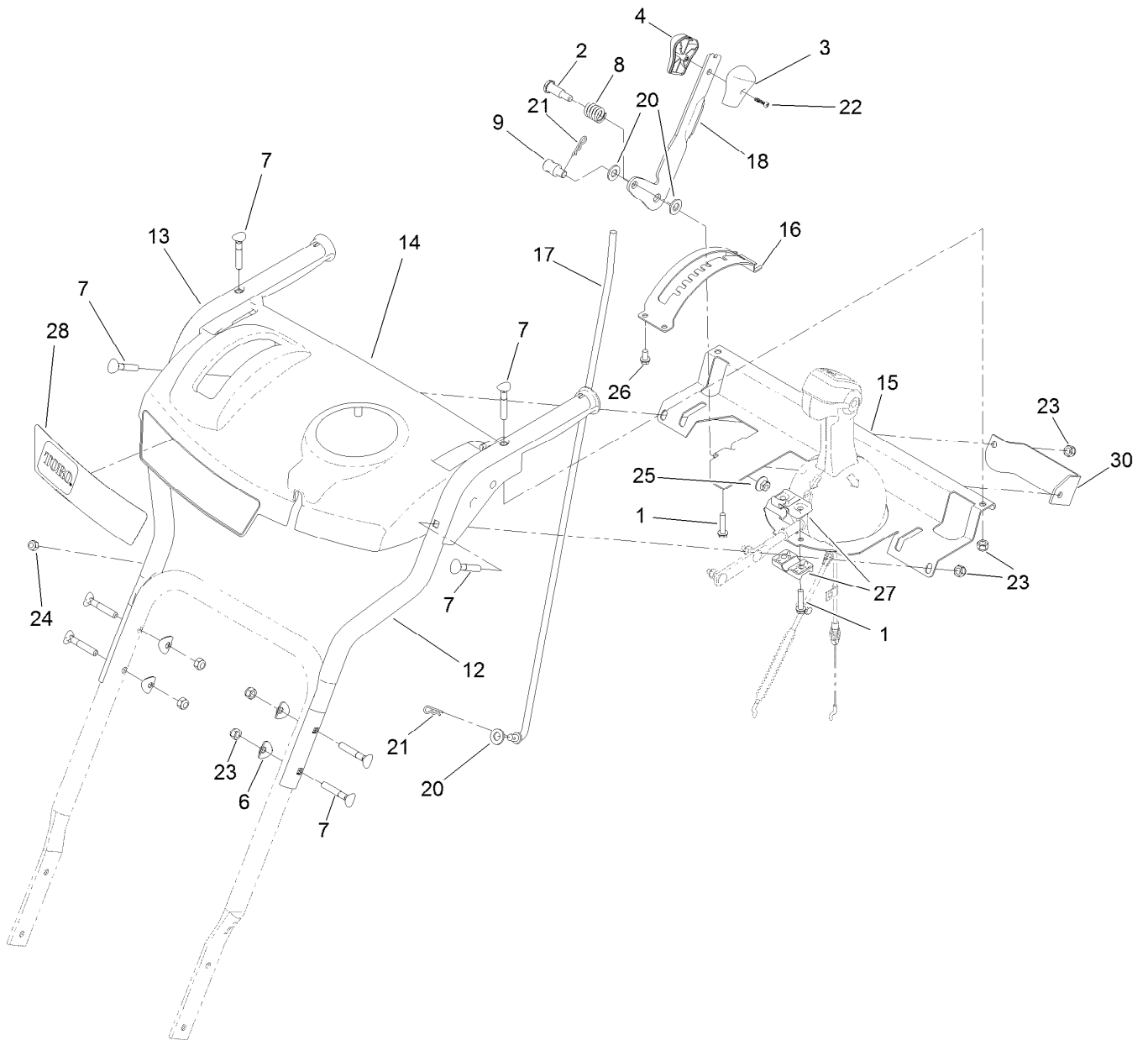
# Chute Assembly



## Chute Assembly (continued)

<i>Ref.</i>	<i>Part Number</i>	<i>Qty.</i>	<i>Description</i>	<i>Ref.</i>	<i>Part Number</i>	<i>Qty.</i>	<i>Description</i>
1	46-8091	6	Screw-HWH	21	120-9299	1	Chute-Cover
4	136-7199	1	Bolt-Shoulder	22	121-1207-03	1	Bracket-Support, Chute
5	136-7191	2	Clamp-Cable	23	119-7629	1	Deflector-Chute
6	136-8672	1	Hinge Pin-Deflector	24	136-7195	1	Bolt, Shoulder
8	139-1557	1	Trigger-Deflector	25	121-1237-03	1	Bracket-Mount, Chute
9	119-7627	1	Ring-Chute	26	321-11	3	Screw-HH
10	133-5590	1	Chute-Discharge	27	321-5	4	Screw-HH
13	120-3852	1	Mount-Chute, Discharge	28	3230-5	2	Bolt-Car
14	120-3853	1	Gear-Chute	29	3256-2	2	Washer-Flat
15	120-3854	1	Gear-Bevel	30	3256-22	2	Washer-Flat
16	120-3855	1	Mount-Gear, Bevel	31	3296-29	3	Nut-Lock, NI
17	120-3856	1	Washer-Flat	32	3296-42	7	Nut-Lock, NI
18	120-3869	1	Latch-Chute	36	121-6843	1	Bracket-Support, Latch
19	136-7154	1	Spring, Chute Latch	38	125-1121	1	Decal-Guarantee
20	136-7136	2	Spring-Compression				

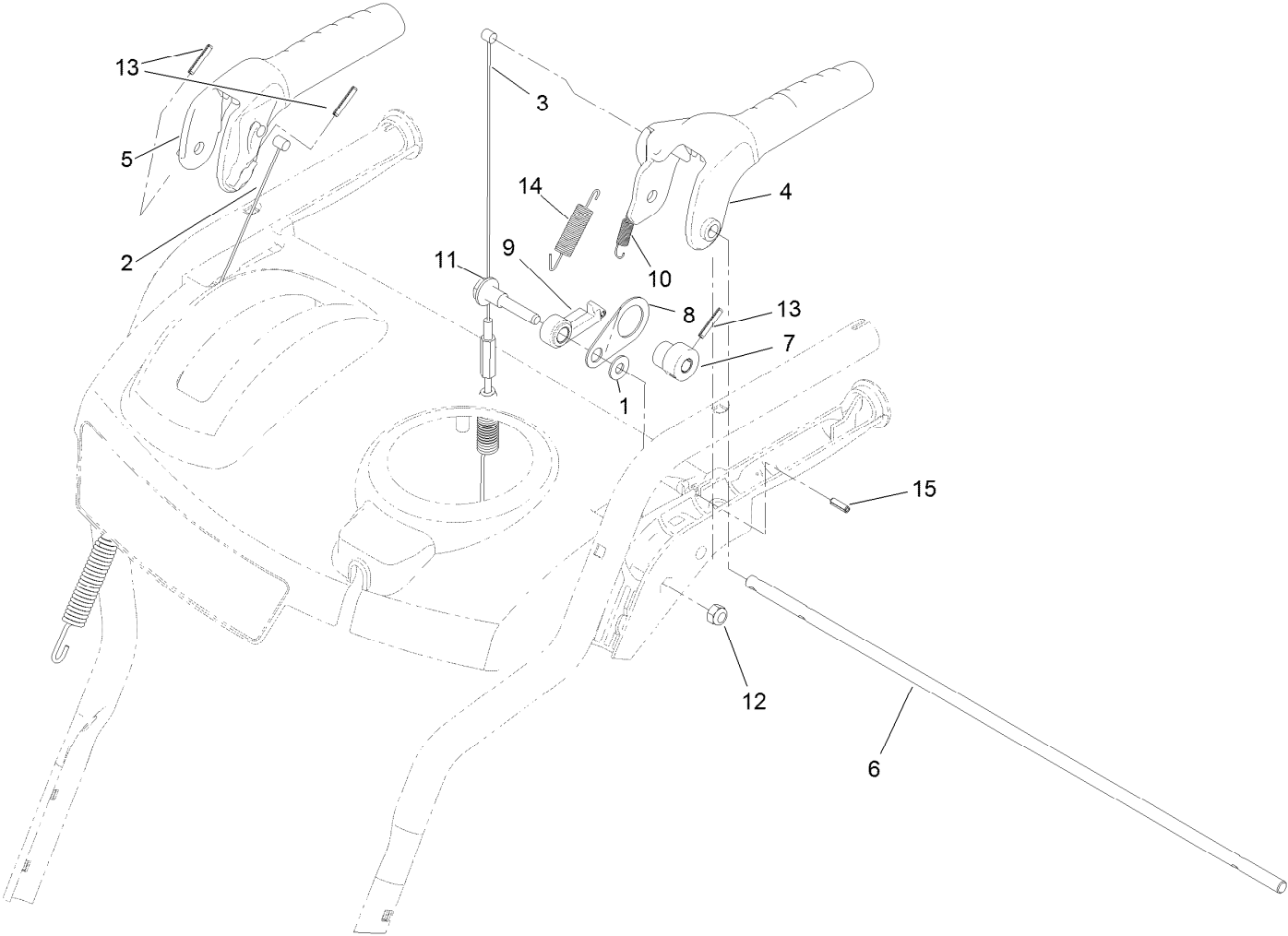
# Handle and Control Assembly



## Handle and Control Assembly (continued)

<i>Ref.</i>	<i>Part Number</i>	<i>Qty.</i>	<i>Description</i>	<i>Ref.</i>	<i>Part Number</i>	<i>Qty.</i>	<i>Description</i>
1	137-3100	3	Screw-Plastite, HWH	17	136-7163	1	Rod-Selector, Gear
2	137-3103	1	Screw-Shoulder, HH	18	121-1242-03	1	Selector-Speed
3	105-9999	1	Knob-Shift, LH	20	131-8667	3	Washer-Thrust
4	106-4423	1	Knob-Shift, RH	21	137-3083	2	Pin-Hair
6	137-3009	4	Washer-Cup	22	94-4496	1	Screw-PPH
7	137-3107	8	Screw-Handle	23	137-3093	8	Nut-Hex
8	136-7121	1	Spring-Compression	24	137-3094	2	Nut-Hex
9	136-7193	1	Trunnion-Rod	25	137-3038	1	Nut-HF
12	120-7173-03	1	Handle-Upper, LH	26	46-8093	4	Screw-Plastite
13	120-7174-03	1	Handle-Upper, RH	27	105-9987	2	Support-Rod
14	120-7194	1	Panel-Control, Master	28	138-8457	1	Decal-Model
15	120-9251-03	1	Support-Panel, Control	30	120-2301-03	1	Plate-Support, Shift
16	120-9258-03	1	Mount-Selector, Speed				

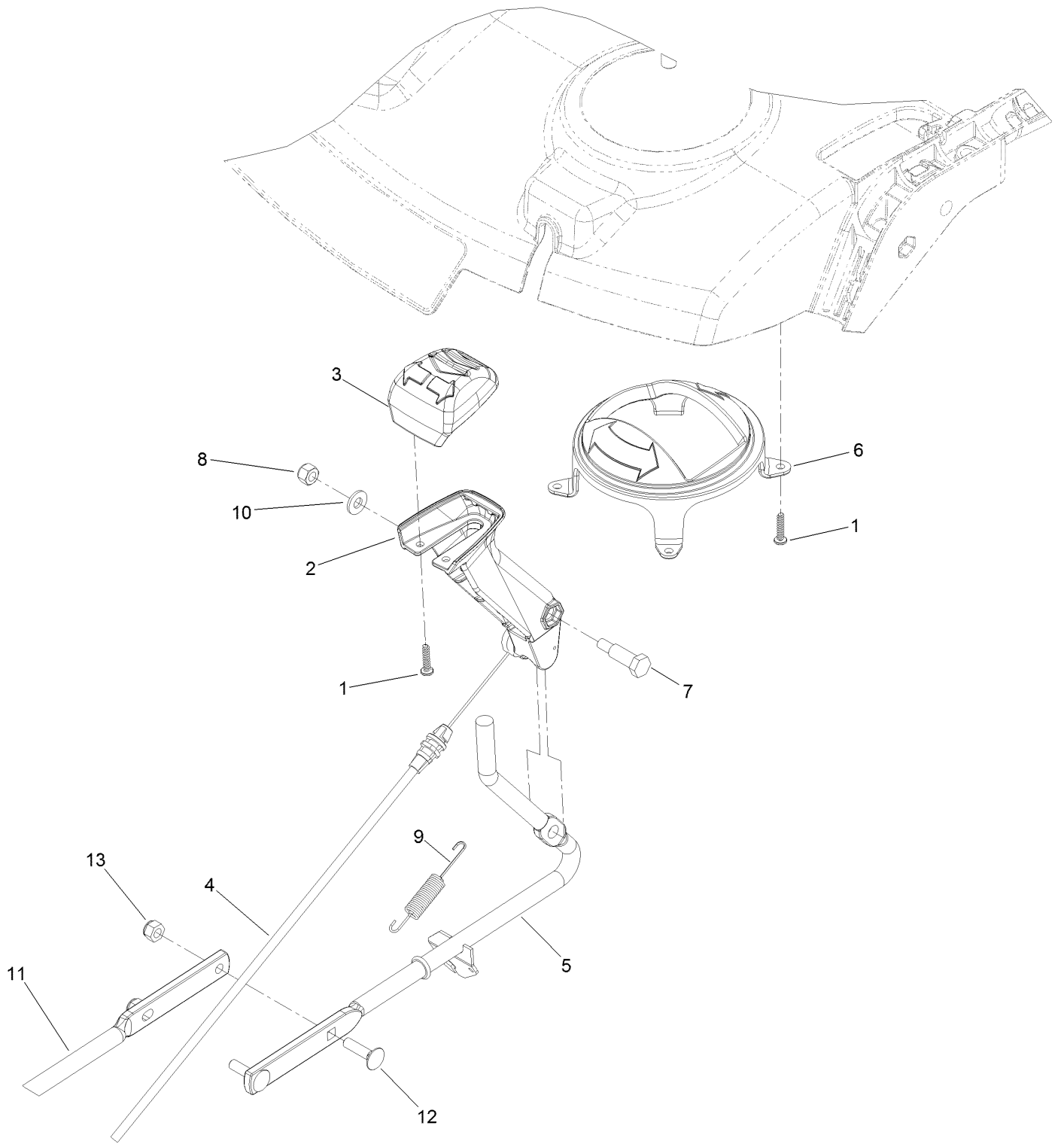
# Control Assembly



## Control Assembly (continued)

<i>Ref.</i>	<i>Part Number</i>	<i>Qty.</i>	<i>Description</i>	<i>Ref.</i>	<i>Part Number</i>	<i>Qty.</i>	<i>Description</i>
1	98-3499	1	Washer-Flat	9	121-1205	1	Latch-Lockout
2	121-6812	1	Cable-Auger	10	136-7161	1	Spring-Lockout, Handle
3	121-6813	1	Cable-Traction	11	136-7194	1	Screw-Shoulder
4	121-1200	1	Handle-Control, Traction	12	137-3093	1	Nut-Hex
5	121-1201	1	Handle-Control, Auger	13	137-3035	3	Pin-Spring
6	136-7125	1	Rod-Lockout	14	136-7162	1	Spring-Return, Lever
7	121-1203	1	Cam-Lockout	15	32121-2	1	Pin-Roll, Slotted
8	136-7160	1	Link-Lockout				

# Quick Lever Assembly



## Quick Lever Assembly (continued)

<i>Ref.</i>	<i>Part Number</i>	<i>Qty.</i>	<i>Description</i>	<i>Ref.</i>	<i>Part Number</i>	<i>Qty.</i>	<i>Description</i>
1	94-4496	6	Screw-PPH	8	3296-42	1	Nut-Lock, NI
2	120-3868	1	Lever-Control, Chute	9	121-6824	1	Spring-Return, Lever
3	138-8456	1	Cap-Chute Control Lever	10	3256-22	1	Washer-Flat
4	120-7163	1	Cable-Release, Chute	11	120-3881	1	Rod-Chute, Front
5	121-1244	1	Chute Rod ASM	12	137-3056	2	Bolt-CARR
6	121-1246	1	Insert-Lever, Quick	13	137-3094	2	Nut-Hex
7	121-1247	1	Screw-Shoulder				

# Attachments and Accessories

## For 17740 Lawn-Boy Two Stage Snowthrower

<b>Product Name</b>	<b>Model/Part</b>
Non-Marking Skid Kit.....	38211
Heavy-Duty Skid Kit.....	38212
Drift Breaker Kit .....	38213
Tire Chain Kit, Snowthrowers with 13in Tires .....	38214
Plain 2-Stage Cover.....	490-7467

**Notes:**

**Notes:**

**Notes:**

