



**Count on it.**

**Parts Catalog**

**Power Max<sup>®</sup> 726 OE  
Snowthrower**

Model No. 38814—Serial No. 40000000 and Up



# Ordering Replacement Parts

To order replacement parts, please supply the part number, the quantity, and the description of each part desired.

## Understanding Reference Numbers

Each identified part in an illustration has a reference number. The reference number for a part also appears in the parts list, along with other information about the part.

This catalog uses two special reference number formats, one to indicate parts in a service assembly and another to indicate the quantity of a given part in an illustration.

## Service Assembly Reference Numbers

Parts in service assemblies have reference numbers in the form a:b. The a represents the reference number of the entire service assembly and the b represents a sequential number unique to each part within the service assembly.

For example, a wheel assembly might be identified by reference number 6, the tire by 6:1, the valve by 6:2, and the wheel by 6:3. When you order the assembly identified by reference number 6, you receive all parts identified by reference numbers 6:1, 6:2, and 6:3. However, you may also order any part individually. Reference numbers of this type appear in illustration and in parts lists.

## Reference Numbers Indicating Quantity

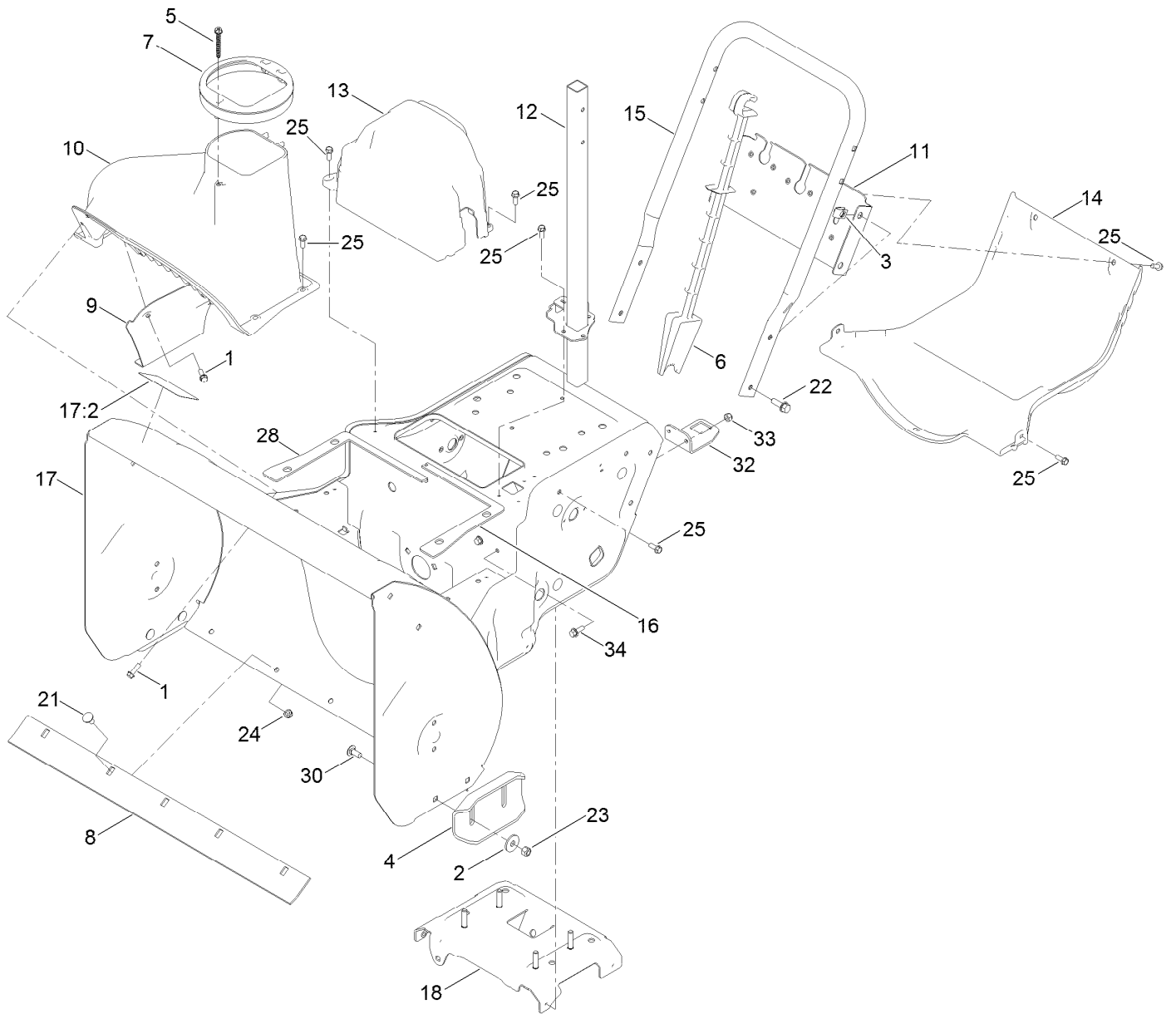
In an illustration, if a reference number indicates more than one part, the reference number has the form nX y. The n represents the quantity of the part, the X is the multiplication symbol, and the y represents the reference number.

For example, in an illustration, the reference number 2X 37 means that two of the parts identified by reference number 37 are indicated.

# Contents

Frame Assembly . . . . .	4
Pulley and Bellcrank Assembly . . . . .	6
Impeller Drive Assembly . . . . .	8
Wheel Assembly . . . . .	10
Gearbox, Auger and Impeller Assembly . . . . .	12
26 Inch Auger Gearcase Assembly No. 119-7641 . . . . .	14
Impeller Assembly . . . . .	16
Engine Assembly . . . . .	18
Engine Decal Assembly . . . . .	20
Fuel System and Carburetor Assembly . . . . .	22
Intake and Exhaust Assembly . . . . .	24
Ignition Coil Assembly . . . . .	26
Crankcase Assembly . . . . .	28
Governor Assembly . . . . .	30
Piston and Head Assembly . . . . .	32
Blower Housing and Shrouds Assembly . . . . .	34
Chute Assembly . . . . .	36
Chute Control Assembly . . . . .	38
Handle Assembly . . . . .	40
Control Assembly . . . . .	42
Attachments and Accessories . . . . .	44

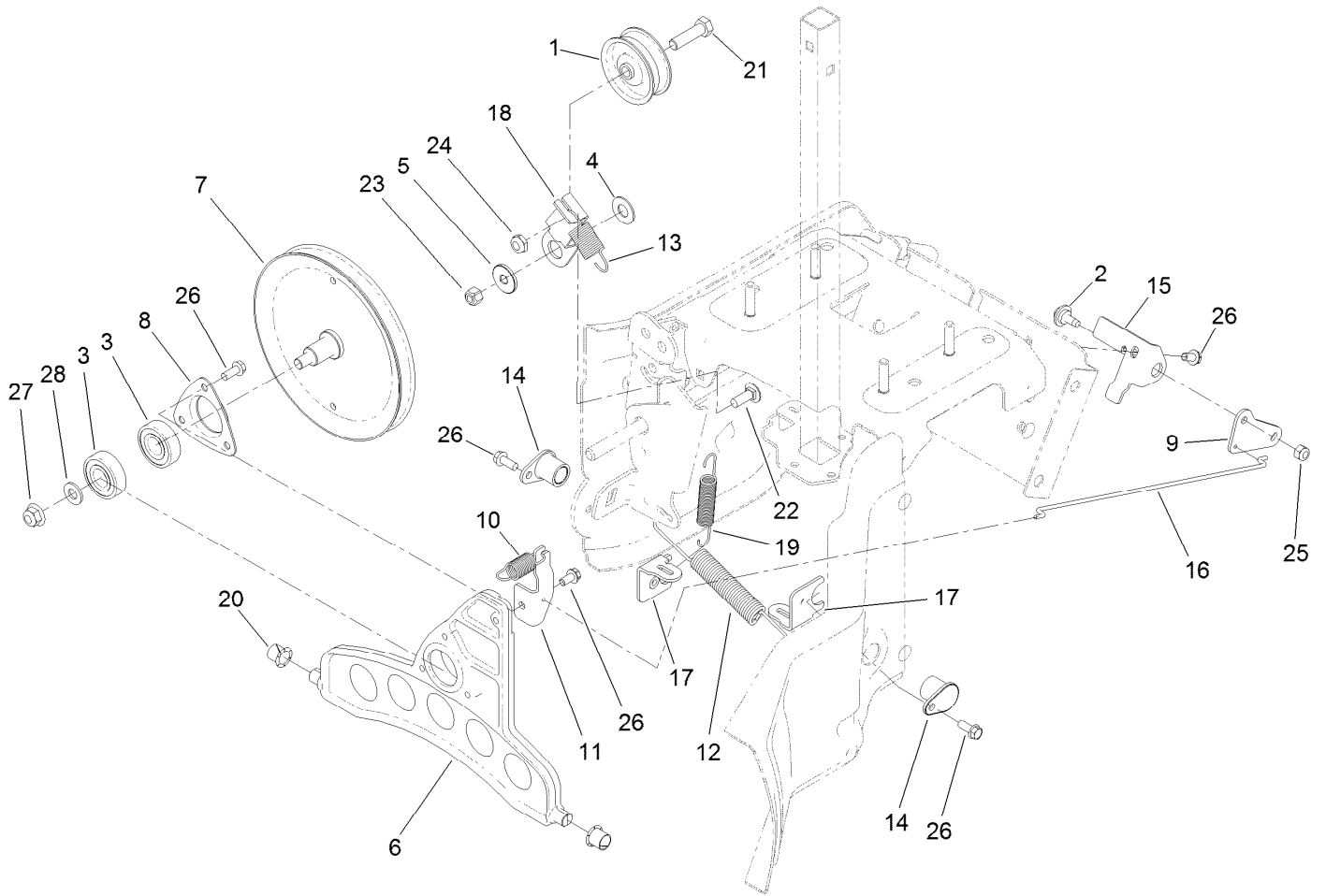
# Frame Assembly



## Frame Assembly (continued)

<i>Ref.</i>	<i>Part Number</i>	<i>Qty.</i>	<i>Description</i>	<i>Ref.</i>	<i>Part Number</i>	<i>Qty.</i>	<i>Description</i>
1	137-3099	6	Screw-Plastite, HWH	16	120-7181	1	Seal-Housing, LH
2	119-4150	4	Washer-Flat	17	131-6469	1	Frame ASM
3	94-2413	4	Nut-U	17:2	121-6817	1	Decal-Danger, Auger
4	106-4588-01	2	Skid	18	136-7187	1	Brace-Frame
5	137-3015	1	Screw-HWH, Plastite	21	137-3060	5	Bolt-CARR
6	121-6833	1	Stick-Cleanout	22	137-3067	4	Screw-HHF
7	138-3608	1	Guide-Chute	23	119-4038	4	Nut-Hex
8	119-7601-01	1	Scraper-24 Inch	24	137-3089	5	Nut-Hex
9	120-7158-01	1	Cover-Liner	25	32144-85	17	Screw-HWH
10	120-7159	1	Cover	28	121-6841	1	Seal-Housing, RH
11	120-7161-01	1	Brace-Frame	30	137-3061	4	Bolt-CARR
12	137-3412-03	1	Support-Chute	32	137-3410-03	1	Bracket-Post, Chute
13	120-7177	1	Cover-Belt	33	120-9678	2	Screw-HHF
14	120-7178	1	Cover-Lower	34	137-3094	2	Nut-Hex
15	120-7179-03	1	Handle-Lower				

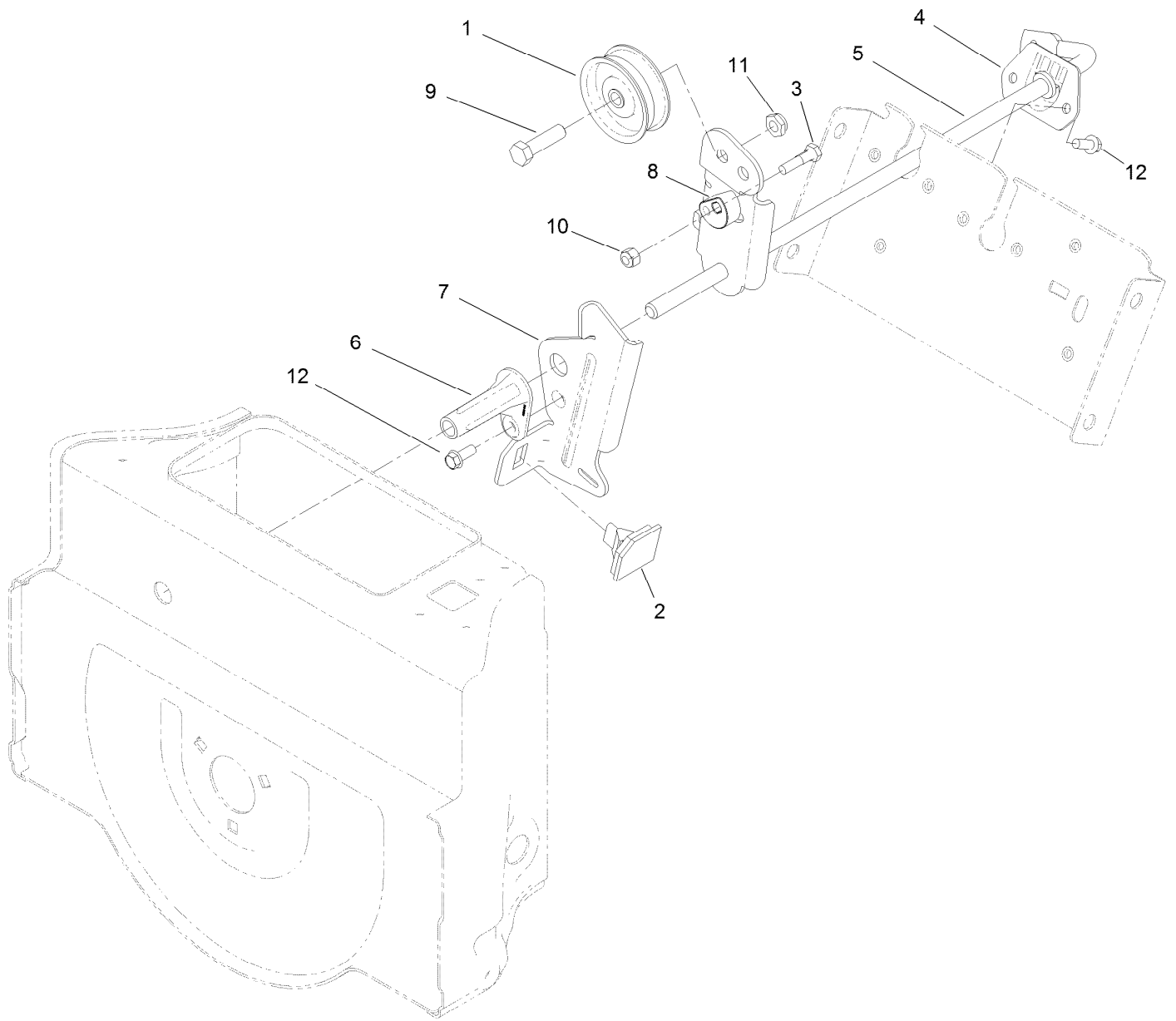
# Pulley and Bellcrank Assembly



## Pulley and Bellcrank Assembly (continued)

<i>Ref.</i>	<i>Part Number</i>	<i>Qty.</i>	<i>Description</i>	<i>Ref.</i>	<i>Part Number</i>	<i>Qty.</i>	<i>Description</i>
1	3-4244	1	Pulley-Idler	15	120-7165-03	1	Bracket-Bellcrank
2	92-9698	1	Screw-Shoulder	16	136-7155	1	Link-Drive
3	38-7820	2	Bearing-Ball	17	120-9271	2	Bracket-Anchor, Spring
4	25-5640	1	Washer	18	136-7159	1	Arm-Idler, Traction
5	117-7711	1	Bushing-Idler	19	120-9275	1	Spring-Extension
6	119-7645	1	Plate-Wheel, Friction	20	256-257	2	Bushing-Nyliner
7	136-7152	1	Traction Pulley ASM	21	137-3065	1	Screw-HH
8	136-7124	1	Retainer-Bearing	22	137-3058	1	Bolt-CARR
9	119-7670-03	1	Bellcrank-Drive	23	119-4038	1	Nut-Hex
10	136-7153	1	Spring-Extension	24	121-4600	1	Nut-Hex
11	119-7679	1	Bracket-Plate, Traction	25	137-3094	1	Nut-Hex
12	120-3883	1	Spring-Extension	26	32144-85	7	Screw-HWH
13	137-3435	1	Spring-Extension	27	119-4042	1	Nut-HF, NI
14	120-7156	2	Bushing-Plate, Traction	28	115-1166	1	Washer-Flat

# Impeller Drive Assembly

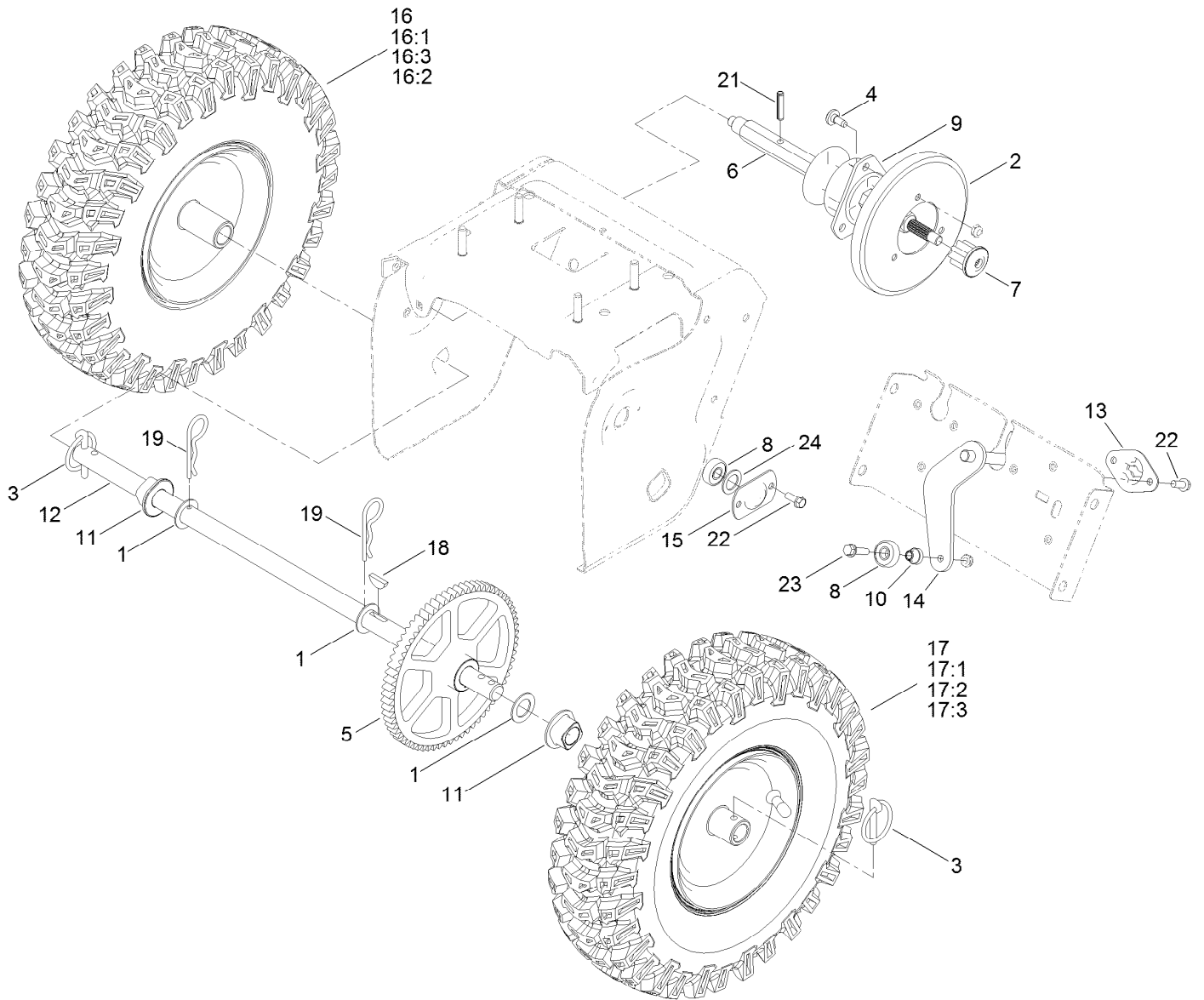




## Impeller Drive Assembly (continued)

<i>Ref.</i>	<i>Part Number</i>	<i>Qty.</i>	<i>Description</i>	<i>Ref.</i>	<i>Part Number</i>	<i>Qty.</i>	<i>Description</i>
1	3-4244	1	Pulley-Idler	7	120-9257-03	1	Arm-Brake, Impeller
2	66-8060	1	Pad-Brake	8	120-9276	1	Eccentric-Brake, Impeller
3	136-8674	1	Bolt-Pivot, Eccentric	9	137-3065	1	Screw-HH
4	120-7167	1	Bushing-Rod, Clutch	10	137-3088	1	Nut-Hex
5	120-9254-03	1	Impeller Clutch ASM	11	121-4600	1	Nut-Hex
6	120-9256	1	Pivot-Brake, Impeller	12	32144-85	3	Screw-HWH

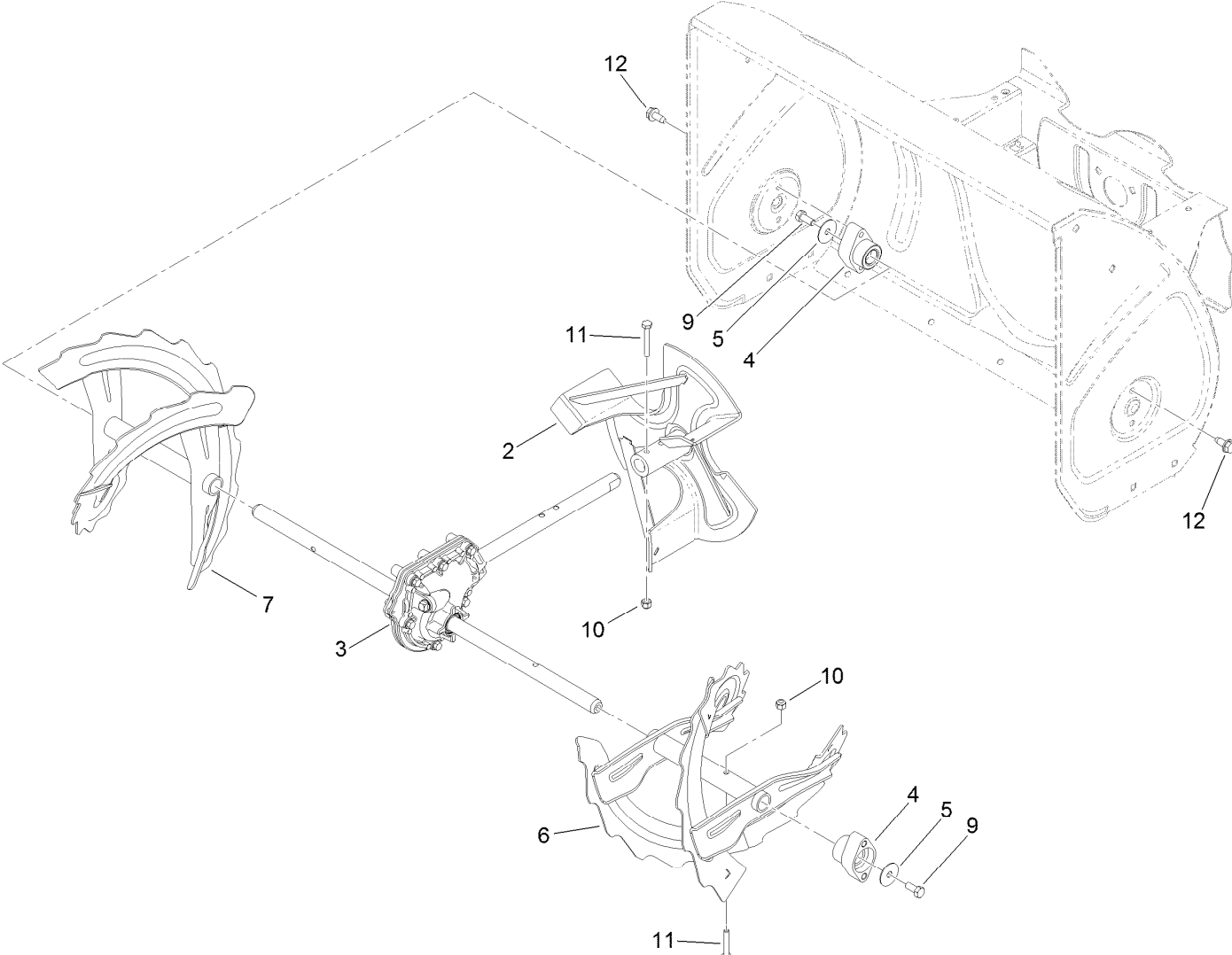
# Wheel Assembly



## Wheel Assembly (continued)

<i>Ref.</i>	<i>Part Number</i>	<i>Qty.</i>	<i>Description</i>	<i>Ref.</i>	<i>Part Number</i>	<i>Qty.</i>	<i>Description</i>
1	3-8664	3	Washer-Thrust	16	138-3660	1	LH Wheel And Tire ASM
2	119-1567	1	Wheel-Friction	16:1	138-3669	1	Wheel (15X4 Tire)
3	107-3039	2	Klik Pin ASM	16:2	232-27	1	Stem-Valve
4	120-7950	3	Screw-Shoulder	16:3	138-3668	1	Tire
5	119-7613	1	Gear-Axle	17	138-3659	1	RH Wheel And Tire ASM
6	119-7615	1	Shaft-Hex	17:1	138-3669	1	Wheel (15X4 Tire)
7	119-7616	1	Gear-Pinion, 8 Tooth	17:2	232-27	1	Stem-Valve
8	121-6835	3	Bearing-Ball	17:3	138-3668	1	Tire
9	119-7630	1	Trunnion	18	3257-7	1	Key-Woodruff
10	119-7684	1	Spacer-Plate, Shift	19	3290-343	2	Pin-Hair
11	120-7162	2	Bushing-Axle	21	32121-9	1	Pin-Roll, Slotted
12	120-7180	1	Axle	22	32144-85	6	Screw-HWH
13	120-7191	1	Retainer-Plate, Shift	23	32144-86	1	Screw-HWHTF
14	120-7193-03	1	Shift Plate ASM	24	121-6840	2	Washer-Rubber
15	136-7158	2	Retainer-Bearing				

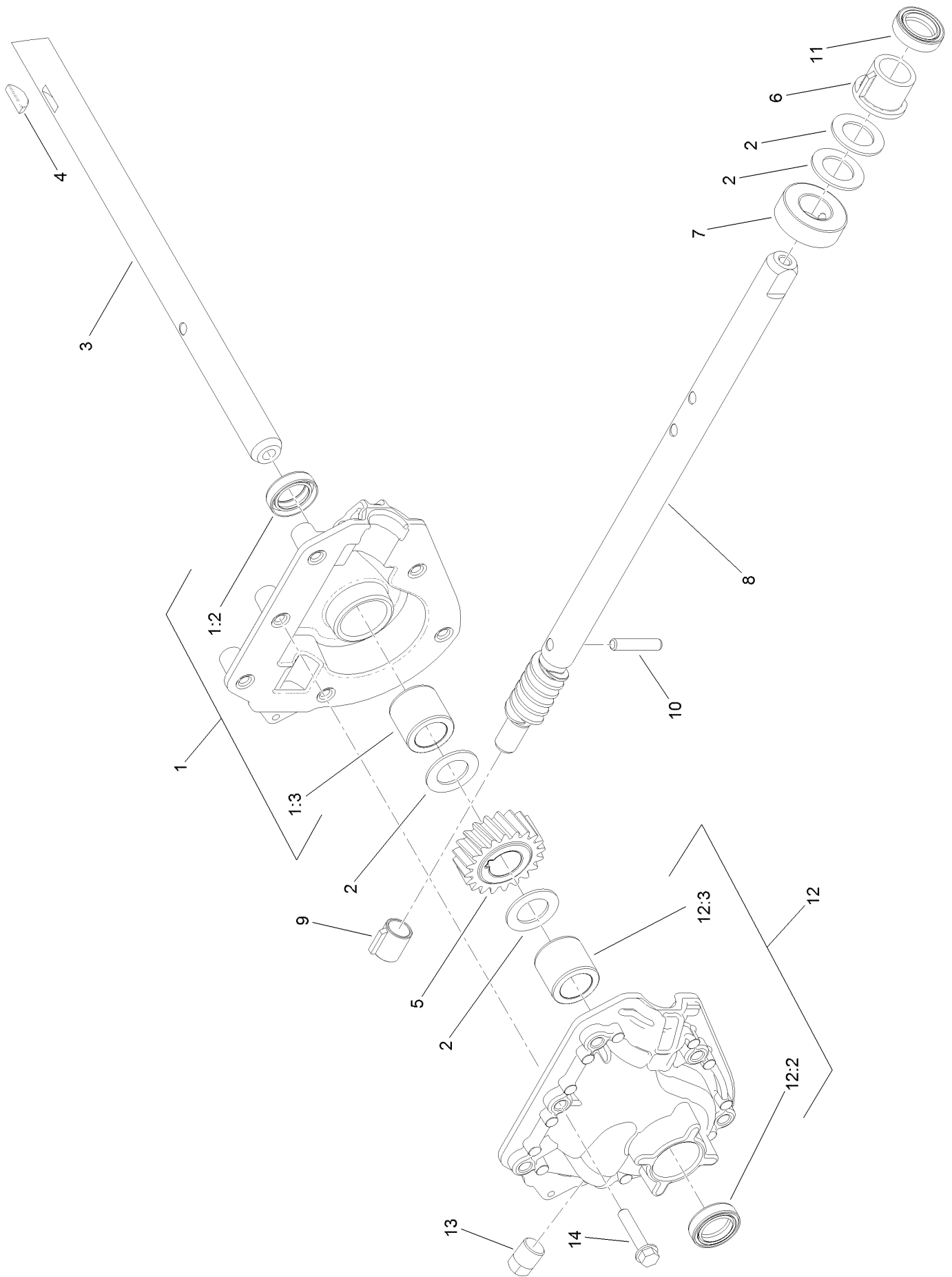
# Gearbox, Auger and Impeller Assembly



## Gearbox, Auger and Impeller Assembly (continued)

<i>Ref.</i>	<i>Part Number</i>	<i>Qty.</i>	<i>Description</i>	<i>Ref.</i>	<i>Part Number</i>	<i>Qty.</i>	<i>Description</i>
2	119-7612-03	1	Impeller ASM	7	120-9290-03	1	RH Auger ASM
3	119-7641	1	Gearcase ASM	9	137-3052	2	Screw-HH
4	120-3860	2	Bearing-Augur	10	137-3088	4	Nut-Hex
5	120-3862	2	Washer-Thrust	11	05010	4	Bolt
6	120-9287-03	1	LH Auger ASM	12	32144-70	4	Screw-HWHTF

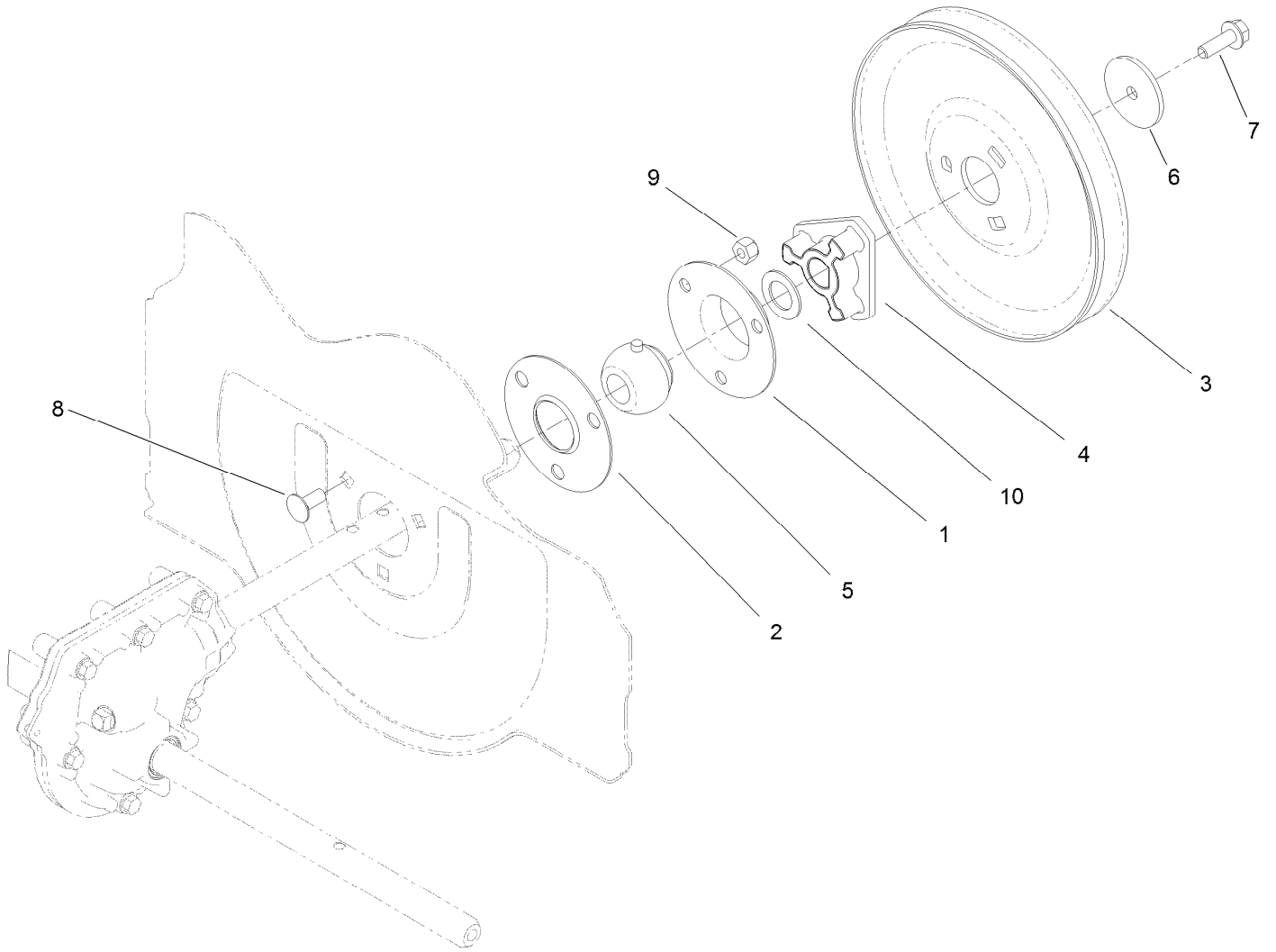
# 26 Inch Auger Gearcase Assembly No. 119-7641



## 26 Inch Auger Gearcase Assembly No. 119-7641 (continued)

<i>Ref.</i>	<i>Part Number</i>	<i>Qty.</i>	<i>Description</i>	<i>Ref.</i>	<i>Part Number</i>	<i>Qty.</i>	<i>Description</i>
1	121-1209	1	RH Auger Gearcase ASM	8	121-1234	1	Shaft-Impeller, Rolled
1:2	121-6634	1	Seal-Shaft	9	62-1150	1	Bushing-Worm
1:3	120-9269	1	Bushing-Sleeve	10	107-8899	1	Pin-Dowel
2	119-7640	4	Washer-Thrust	11	121-6634	1	Seal-Shaft
3	119-7639	1	Shaft-Output, Auger	12	121-1210	1	LH Auger Gearcase ASM
4	3257-5	1	Key-Woodruff	12:2	121-6634	1	Seal-Shaft
5	119-1576	1	Gear-Helical, 20 Tooth	12:3	120-9269	1	Bushing-Sleeve
6	119-7635	1	Bushing-Input	13	121-6832	1	Plug-Pipe, SQH
7	119-7636	1	Collar-Thrust	14	108-4862	6	Screw-HWHTF

# Impeller Assembly

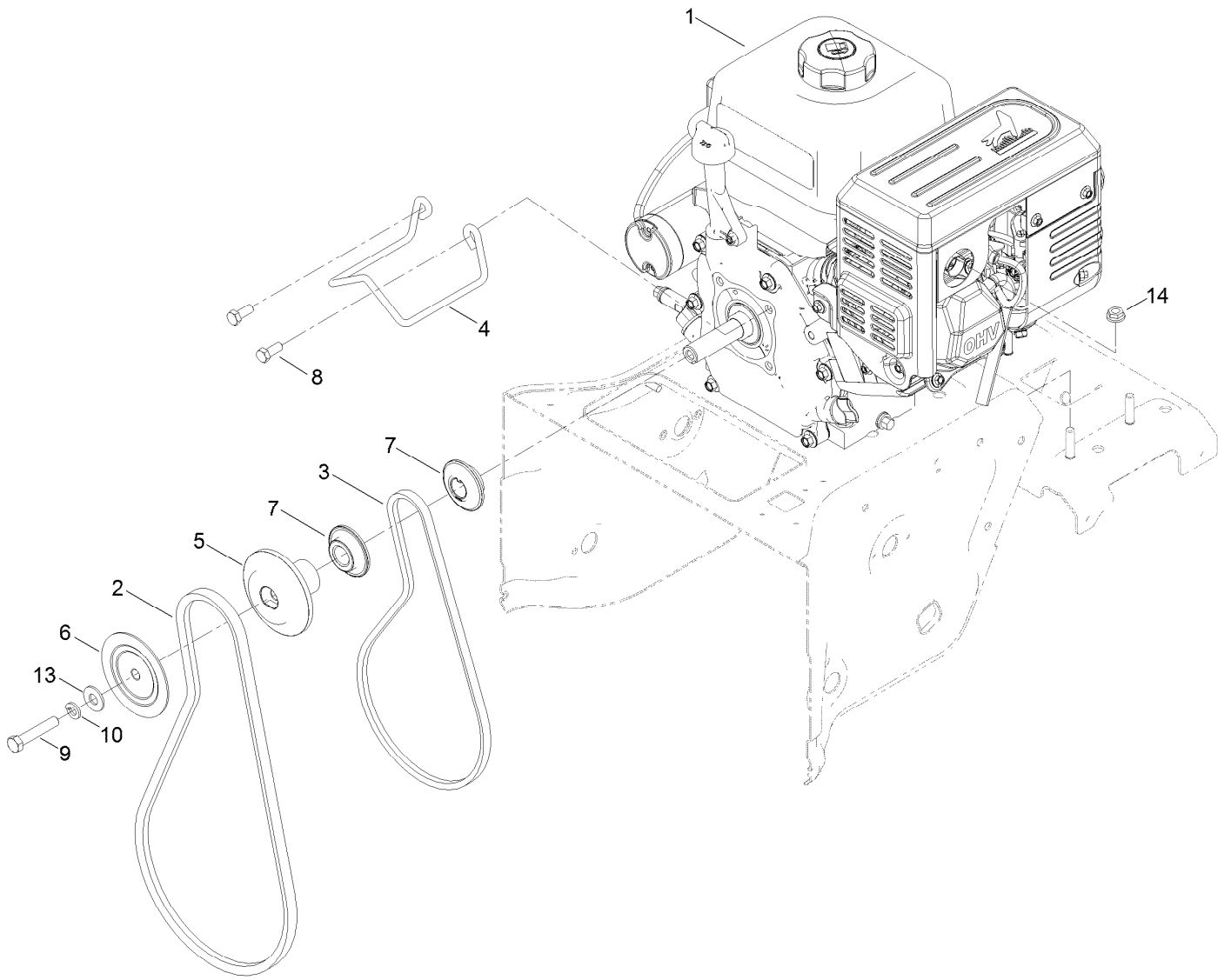




## Impeller Assembly (continued)

<i>Ref.</i>	<i>Part Number</i>	<i>Qty.</i>	<i>Description</i>	<i>Ref.</i>	<i>Part Number</i>	<i>Qty.</i>	<i>Description</i>
1	26-6110	1	Flange-Cup, Bearing	6	137-3121	1	Washer-Plain
2	26-6120	1	Flange-Cup, Bearing	7	115-5142	1	Screw-HHF
3	136-7157	1	Pulley-Impeller	8	137-3061	3	Bolt-CARR
4	120-9264	1	Hub-Impeller, Pulley	9	119-4038	3	Nut-Hex
5	120-9272	1	Bearing	10	119-7640	1	Washer-Thrust

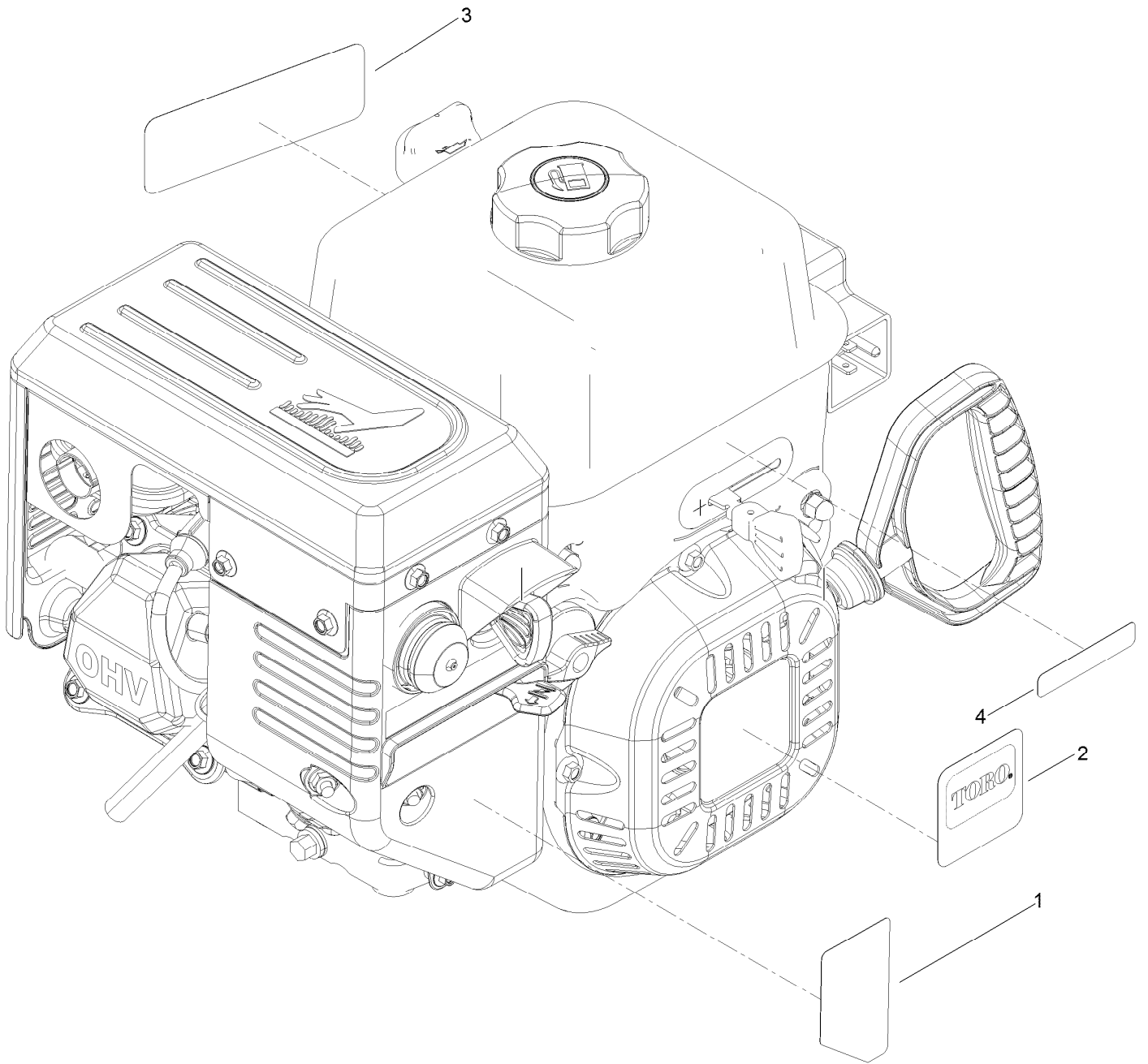
# Engine Assembly



## Engine Assembly (continued)

<i>Ref.</i>	<i>Part Number</i>	<i>Qty.</i>	<i>Description</i>	<i>Ref.</i>	<i>Part Number</i>	<i>Qty.</i>	<i>Description</i>
1	127-9035	1	Engine-G210Fds-1	7	137-3400	2	Pulley-Engine, Traction
2	120-3892	1	Belt-V	8	138-0690	2	Screw-HH
3	120-3893	1	Belt-V	9	120-2302	1	Screw-HH
4	136-7156	1	Guide-Belt	10	3253-21	1	Washer-Lock
5	120-9283	1	Pulley-Auger, Rear	13	137-3078	1	Washer-Plain
6	120-9284	1	Pulley-Auger, Front	14	137-3039	4	Nut-HF

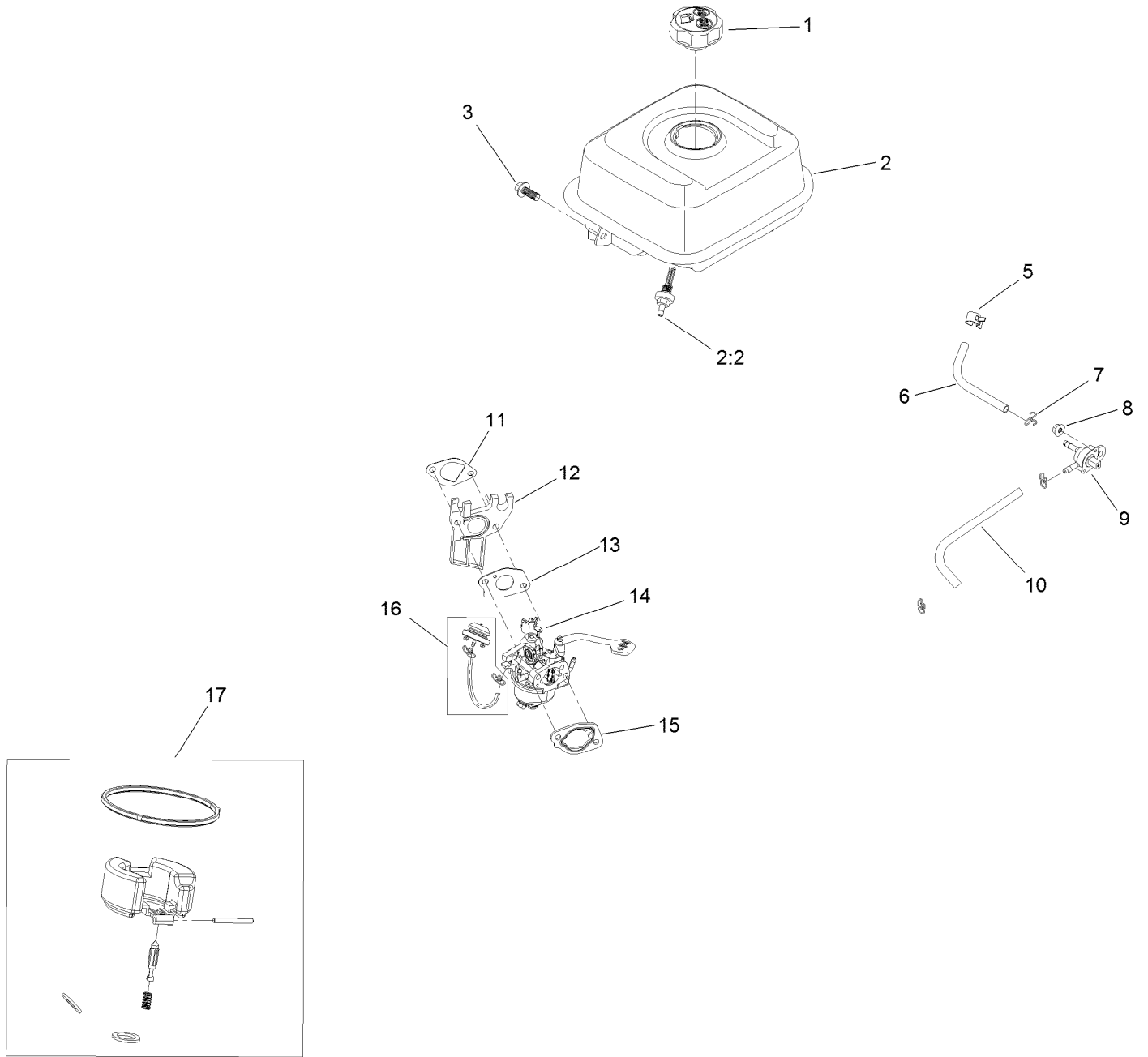
# Engine Decal Assembly



## Engine Decal Assembly (continued)

<i>Ref.</i>	<i>Part Number</i>	<i>Qty.</i>	<i>Description</i>	<i>Ref.</i>	<i>Part Number</i>	<i>Qty.</i>	<i>Description</i>
1	120-9805	1	Decal-Control, Engine	3	120-9809	1	Decal-Recoil, G210
2	120-9806	1	Decal-Engine, Series G210	4	131-6487	1	Decal-Throttle

# Fuel System and Carburetor Assembly

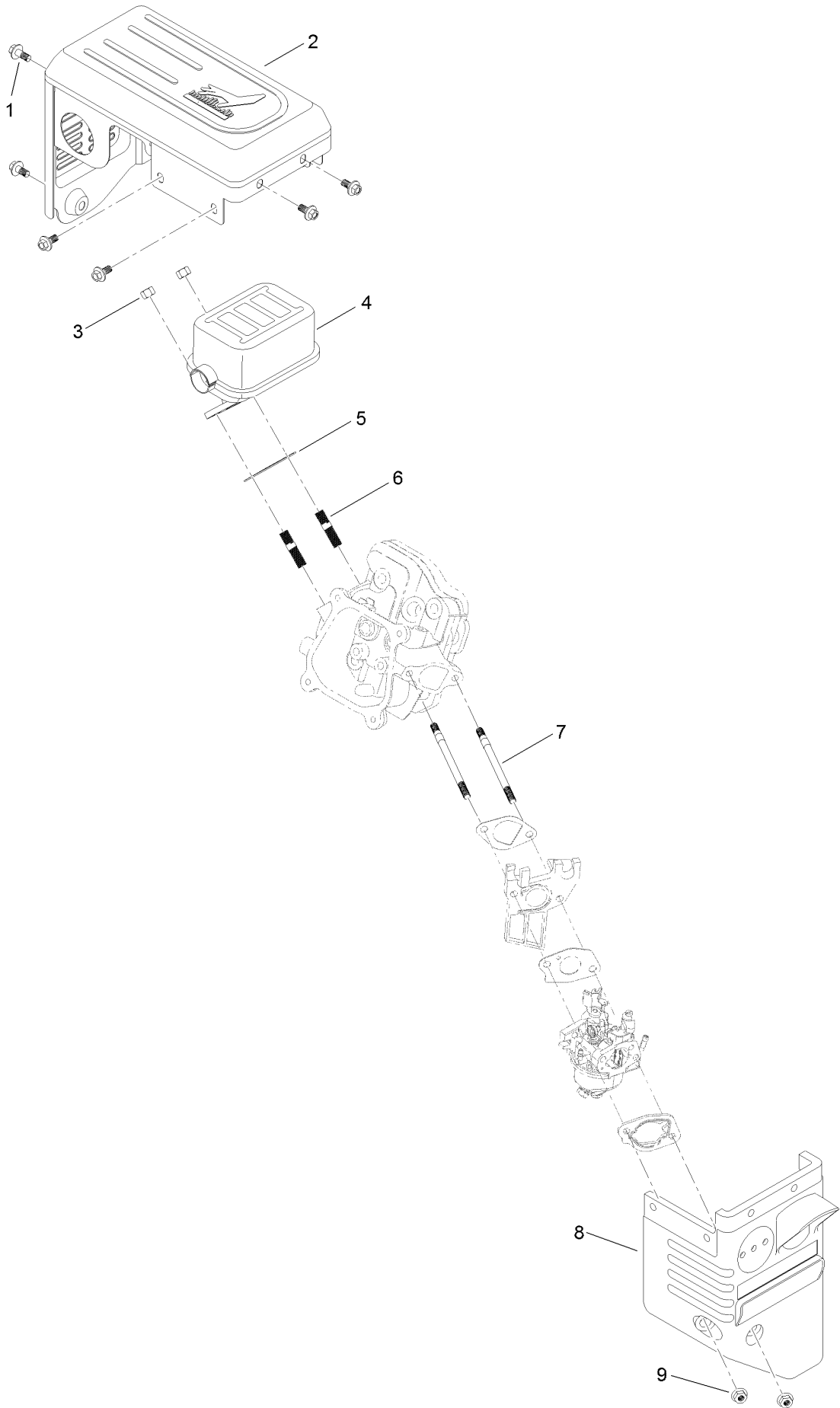


## Fuel System and Carburetor Assembly (continued)

<i>Ref.</i>	<i>Part Number</i>	<i>Qty.</i>	<i>Description</i>	<i>Ref.</i>	<i>Part Number</i>	<i>Qty.</i>	<i>Description</i>
1	133-9823	1	Cap-Fuel	10	127-9384	1	Hose-Fuel, Formed
2	127-9497	1	Fuel Tank And Filter ASM	11	121-0076	1	Gasket-Carburetor
2:2	127-9065	1	Filter-Fuel	12	121-0077	1	Insulator-Carburetor
3	121-0294	1	Screw-HHF	13	121-0078	1	Gasket-Carburetor
5	127-9120	1	Clamp-Hose	14	127-9111	1	Carburetor ASM
6	127-9118	1	Hose-Fuel, Formed	15	121-0080	1	Gasket-Carburetor
7	121-0087	3	Clamp-Hose	16	127-9079	1	Primer Kit
8	120-4236	1	Nut-Flange	17	127-9394	1	Internal Carb Service Kit
9	127-9117	1	Valve-Fuel	99	127-9301	1	High Altitude Kit - G210 ●

● Not illustrated

# Intake and Exhaust Assembly

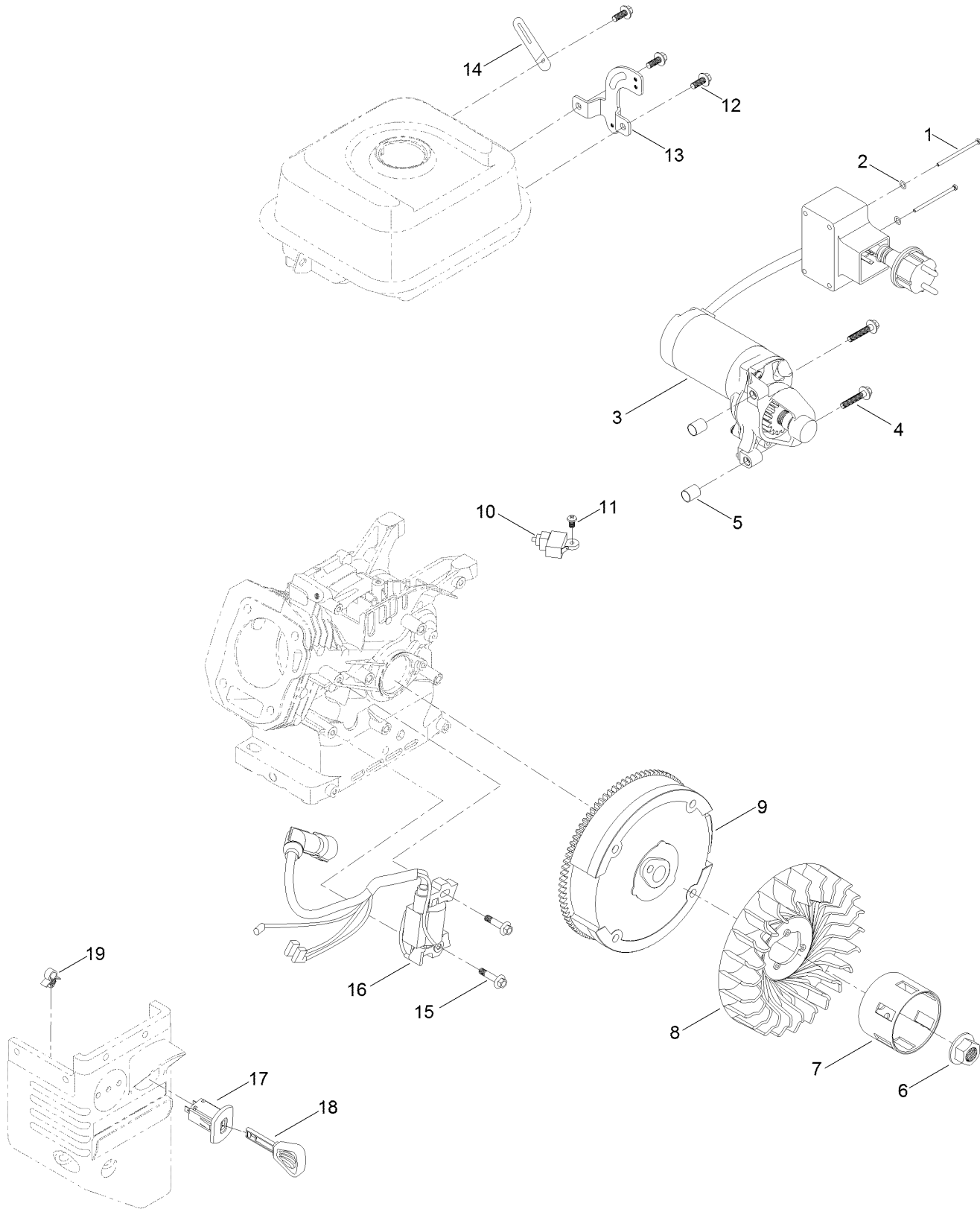




## Intake and Exhaust Assembly (continued)

<i>Ref.</i>	<i>Part Number</i>	<i>Qty.</i>	<i>Description</i>	<i>Ref.</i>	<i>Part Number</i>	<i>Qty.</i>	<i>Description</i>
1	121-0294	6	Screw-HHF	6	121-0464	2	Stud-Exhaust
2	136-7779	1	Guard-Muffler	7	121-4112	2	Stud-Intake
3	121-0199	2	Nut-HH	8	127-9112	1	Box-Heater
4	127-9128	1	Muffler ASM	9	121-0308	2	Nut-Flange
5	121-0167	1	Gasket-Exhaust				

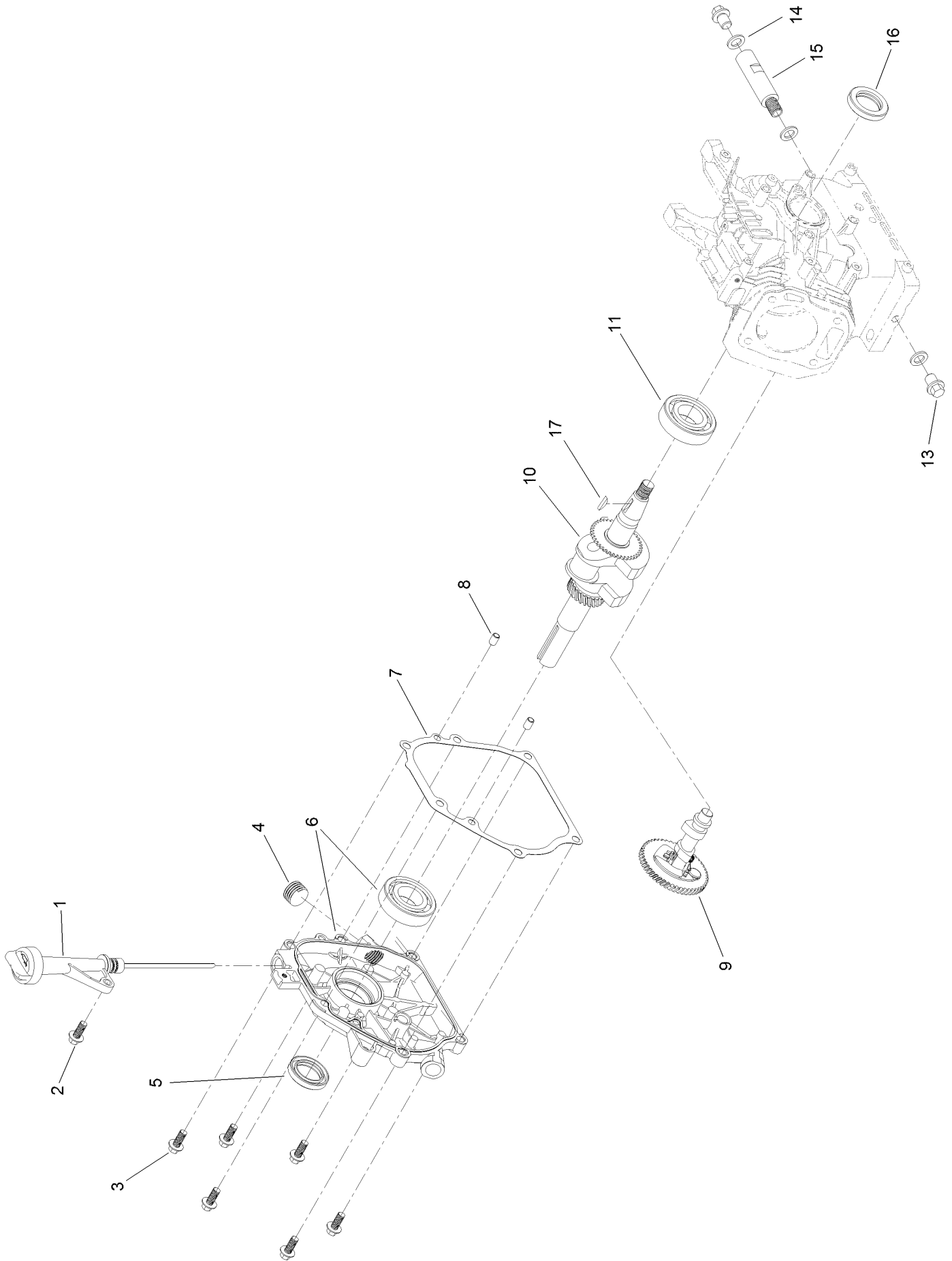
# Ignition Coil Assembly



## Ignition Coil Assembly (continued)

<i>Ref.</i>	<i>Part Number</i>	<i>Qty.</i>	<i>Description</i>	<i>Ref.</i>	<i>Part Number</i>	<i>Qty.</i>	<i>Description</i>
1	121-0306	2	Screw-Bhp	11	120-4461	1	Screw-PPH
2	121-0312	2	Washer-Plain	12	127-9123	3	Screw-HHF
3	136-7777	1	Motor-Starter	13	127-9124	1	Bracket
4	133-1546	2	Screw-Flange	14	121-0017	1	Clip-Harness, Wire
5	121-0055	2	Pin-Dowel	15	121-0097	2	Screw-HHF
6	121-0047	1	Nut-Flange	16	133-9996	1	Ignition Coil ASM
7	127-9106	1	Cup-Starter	17	121-0283	1	Switch-Key
8	127-9002	1	Fan	18	117-7728	1	Key
9	127-9005	1	Flywheel	19	121-0326	1	Clip
10	121-0284	1	Switch-Kill, Engine				

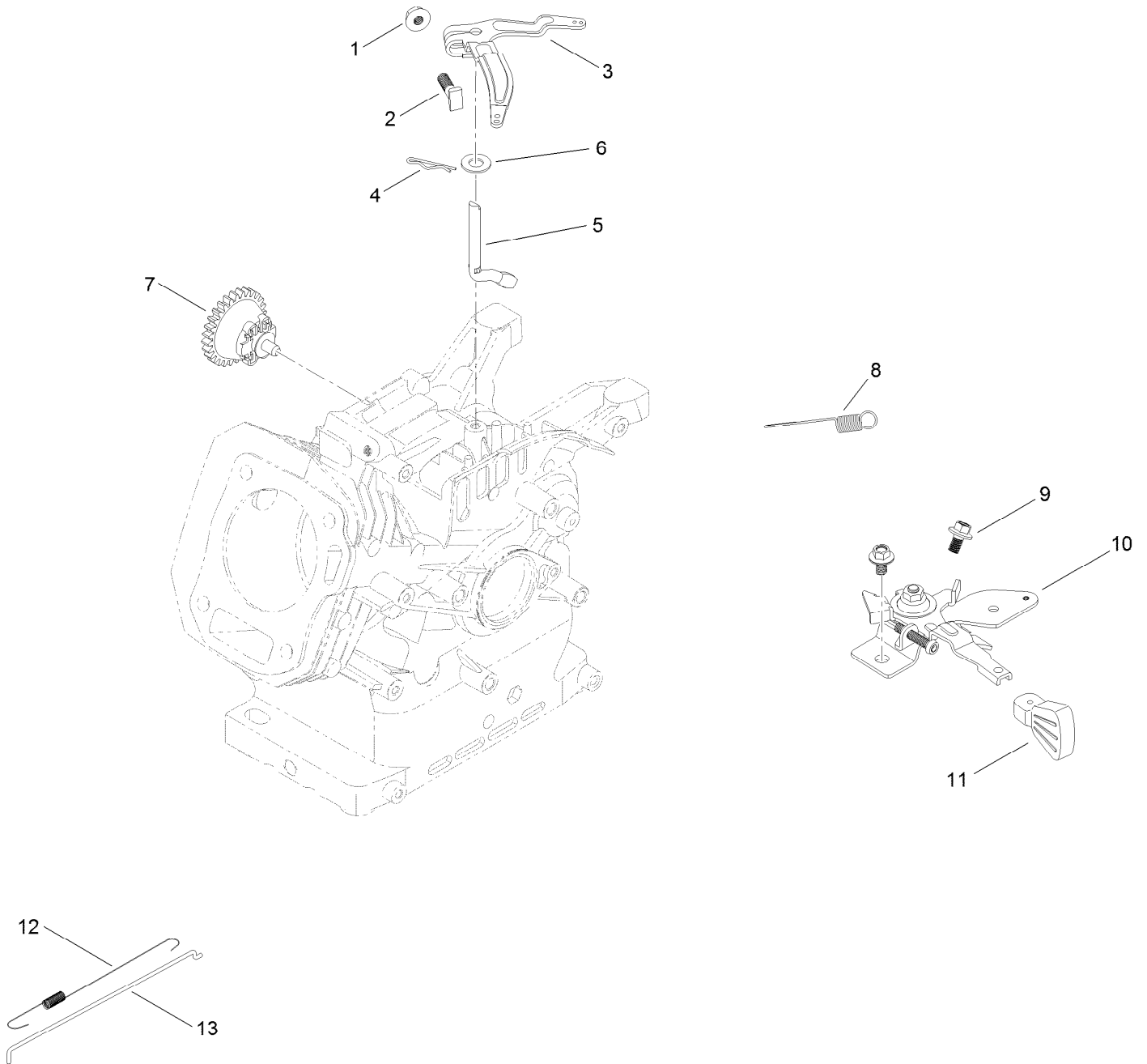
# Crankcase Assembly



## Crankcase Assembly (continued)

<i>Ref.</i>	<i>Part Number</i>	<i>Qty.</i>	<i>Description</i>	<i>Ref.</i>	<i>Part Number</i>	<i>Qty.</i>	<i>Description</i>
1	133-9837	1	Oil Fill ASM	9	133-9836	1	Camshaft
2	127-9123	1	Screw-HHF	10	127-9496	1	Crankshaft
3	121-4114	6	Screw-HHF	11	121-0056	1	Bearing-Ball
4	133-9805	1	Plug-Drain	13	121-0030	2	Screw-HHF
5	121-0209	1	Seal-Oil	14	121-0048	3	Washer-Plain
6	133-9835	1	Crankcase Cover ASM	15	127-9104	1	Tube-Drain, Oil
7	121-0105	1	Gasket-Cover, Crankcase	16	121-0208	1	Seal-Oil
8	121-0054	2	Pin-Dowel	17	120-4320	1	Key-Woodruff

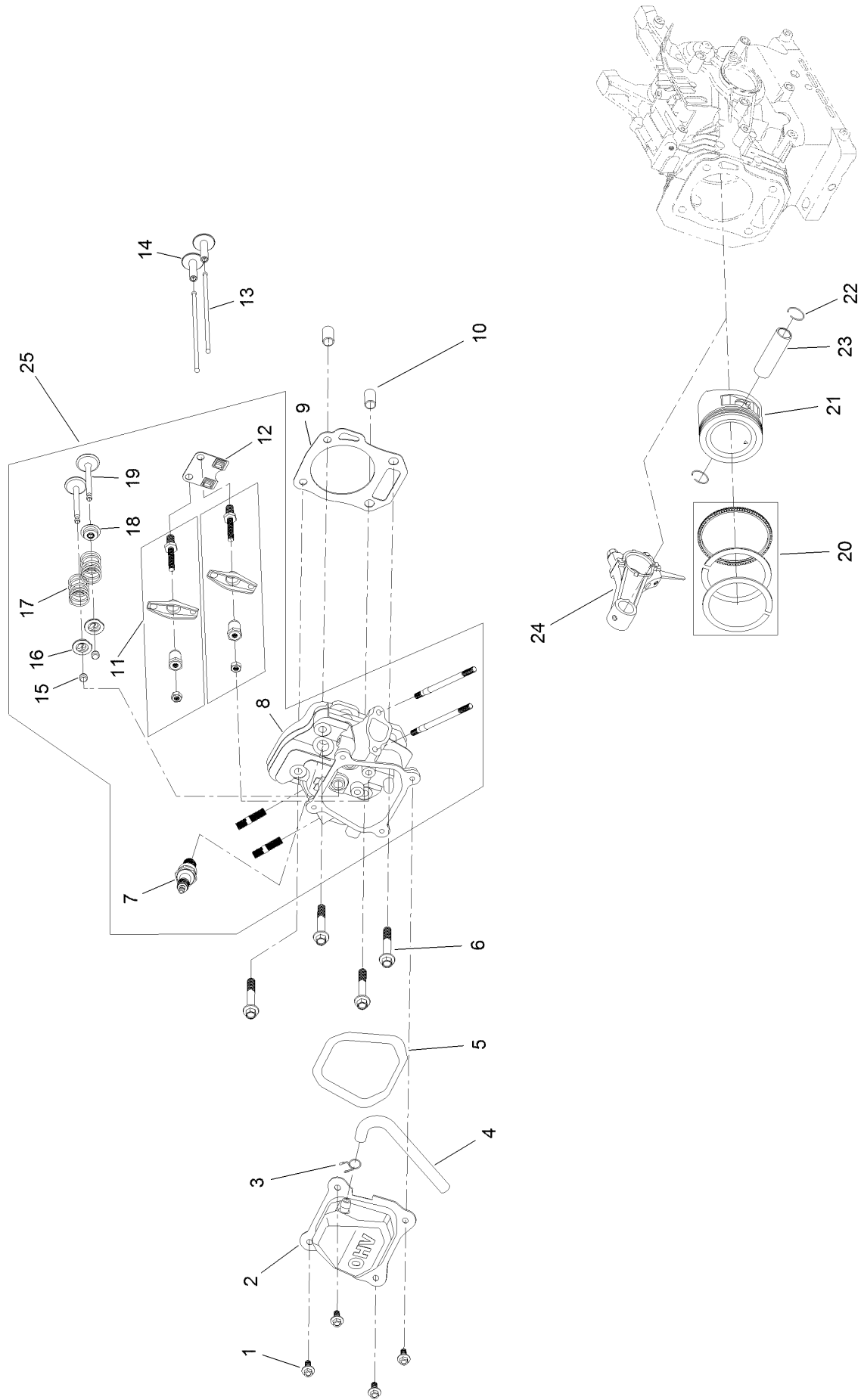
# Governor Assembly



## Governor Assembly (continued)

<i>Ref.</i>	<i>Part Number</i>	<i>Qty.</i>	<i>Description</i>	<i>Ref.</i>	<i>Part Number</i>	<i>Qty.</i>	<i>Description</i>
1	120-4236	1	Nut-Flange	8	127-9114	1	Spring-Governor
2	120-4238	1	Bolt-Arm, Governor	9	121-0118	2	Screw-HHF
3	127-9102	1	Arm-Governor	10	127-9113	1	Speed Control ASM
4	120-4256	1	Pin-Hair	11	121-0269	1	Knob-Control, Throttle
5	136-7763	1	Shaft-Governor	12	121-0153	1	Spring-Return, Throttle
6	121-0498	1	Washer-Plain	13	121-0148	1	Rod-Governor
7	133-9994	1	Governor Gear ASM				

# Piston and Head Assembly

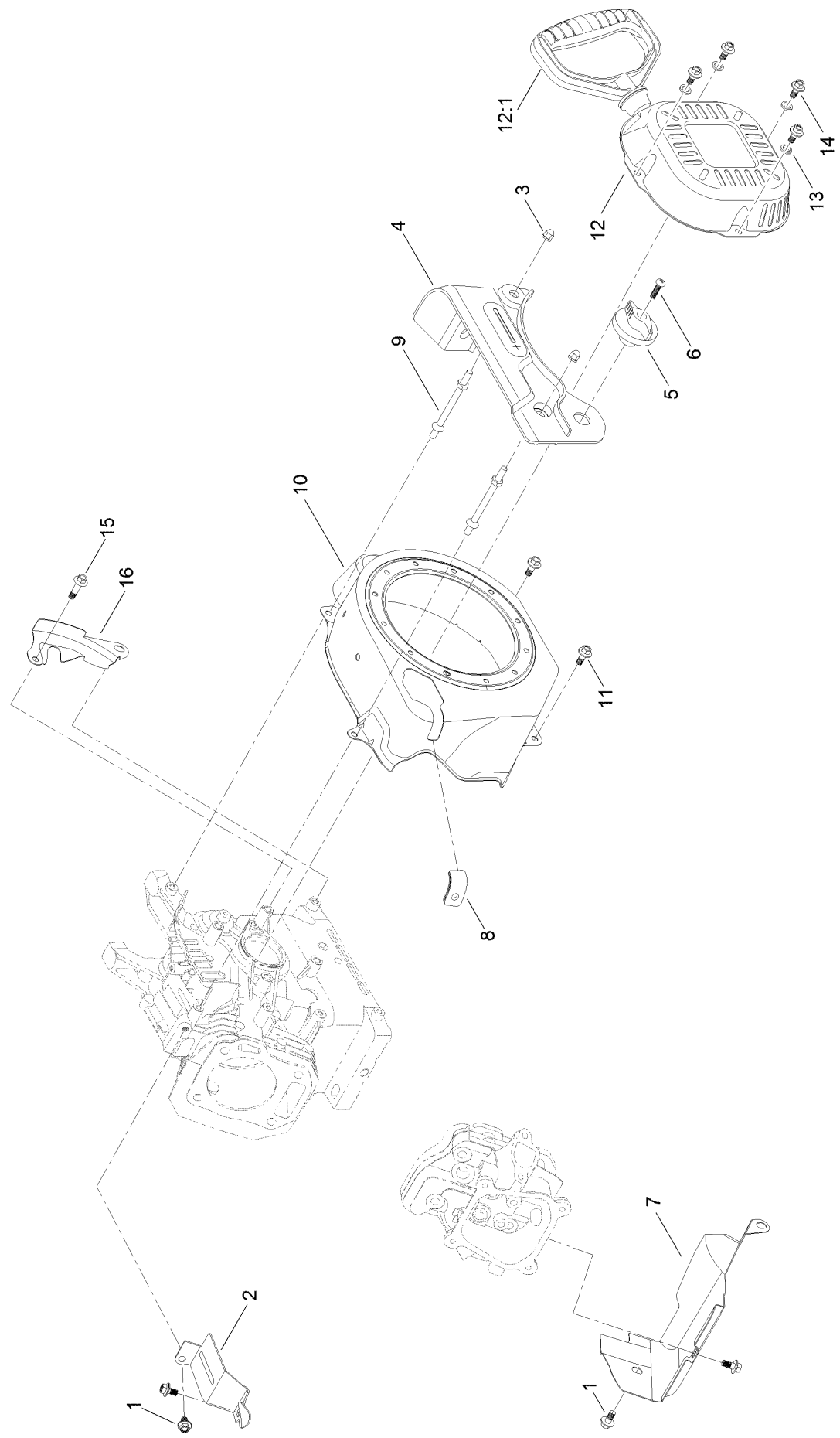




## Piston and Head Assembly (continued)

<i>Ref.</i>	<i>Part Number</i>	<i>Qty.</i>	<i>Description</i>	<i>Ref.</i>	<i>Part Number</i>	<i>Qty.</i>	<i>Description</i>
1	120-4454	4	Screw-HHF	14	127-9015	2	Tappet-Valve
2	127-9094	1	Cover-Valve	15	121-4116	2	Rotator-Valve
3	127-9408	1	Clamp-Hose	16	121-4117	2	Retainer-Spring, Valve
4	127-9095	1	Tube-Breather	17	127-9014	2	Spring-Valve
5	121-0109	1	Gasket-Cover, Valve	18	121-4202	1	Seal-Stem, Valve
6	121-4110	4	Screw-HHF	19	127-9016	1	Valve Set
7	81-3250	1	Spark Plug	20	121-4295	1	Ring Set, Piston
8	127-9013	1	Head-Cylinder	21	121-4293	1	Piston
9	127-9000	1	Gasket-Head, Cylinder	22	121-0313	2	Clip-Pin, Piston
10	121-0053	2	Pin-Dowel	23	121-4128	1	Pin-Piston
11	120-4475	2	Rocker Arm ASM	24	127-9017	1	Connecting Rod ASM
12	121-4120	1	Plate-Guide, Push Rod	25	133-9839	1	Complete Head ASM
13	121-4121	2	Rod-Push				

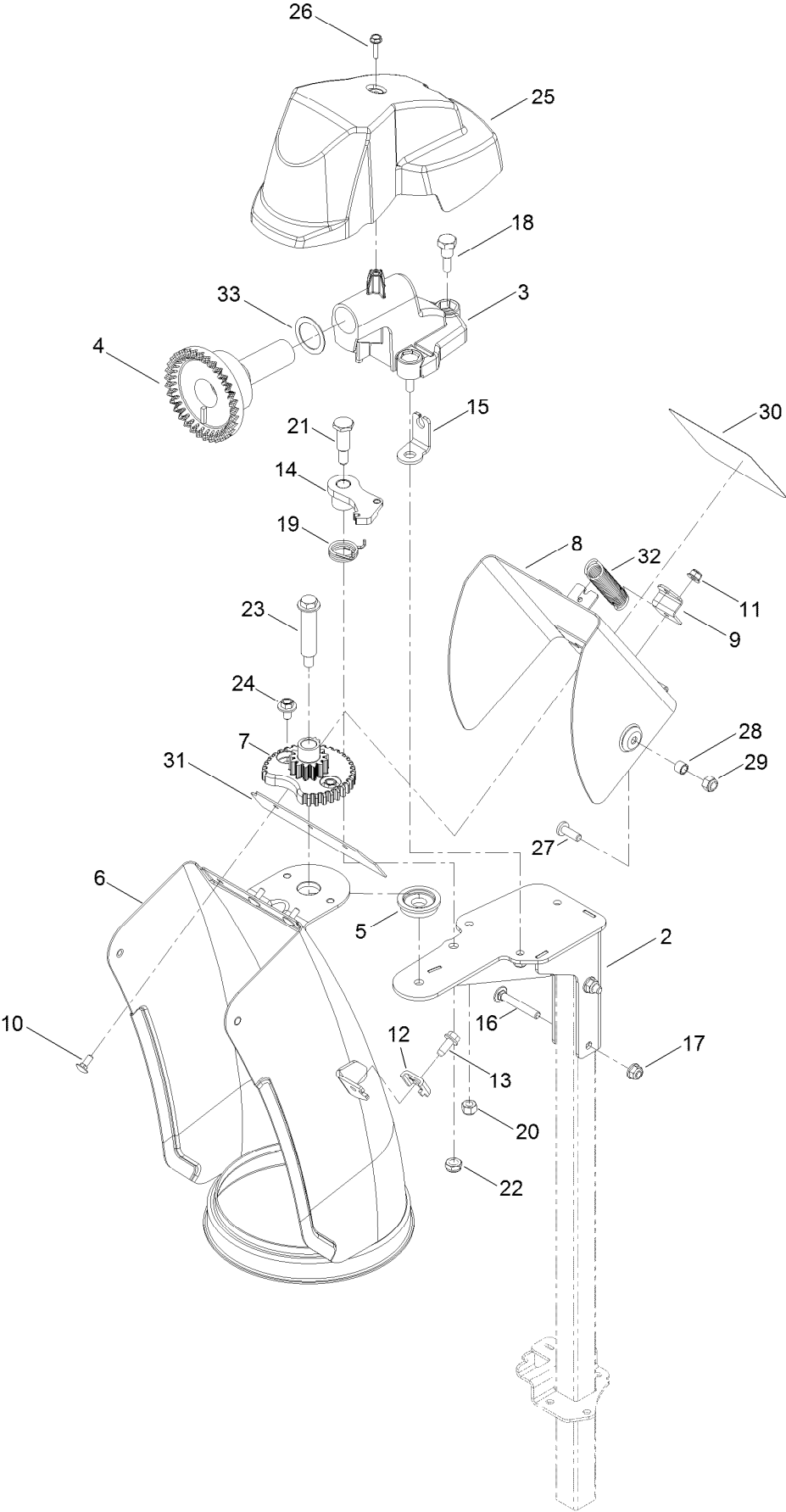
# Blower Housing and Shrouds Assembly



## Blower Housing and Shrouds Assembly (continued)

<i>Ref.</i>	<i>Part Number</i>	<i>Qty.</i>	<i>Description</i>	<i>Ref.</i>	<i>Part Number</i>	<i>Qty.</i>	<i>Description</i>
1	121-0118	4	Screw-HHF	10	127-9108	1	Shroud-Blower
2	127-9097	1	Baffle	11	121-0294	2	Screw-HHF
3	127-9383	2	Nut-Acorn	12	127-9109	1	Recoil Starter ASM
4	127-9116	1	Panel-Control	12:1	121-0287	1	Handle-Recoil
5	121-0268	1	Knob-Valve, Fuel	13	127-9380	4	Washer-Plain
6	121-0305	1	Screw-Bhp	14	127-9031	4	Screw-HHF
7	127-9096	1	Shroud-Lower	15	120-4454	1	Screw-HHF
8	127-9107	1	Block-Rubber	16	127-9121	1	Shield-Flywheel
9	127-9110	2	Stud-Mount				

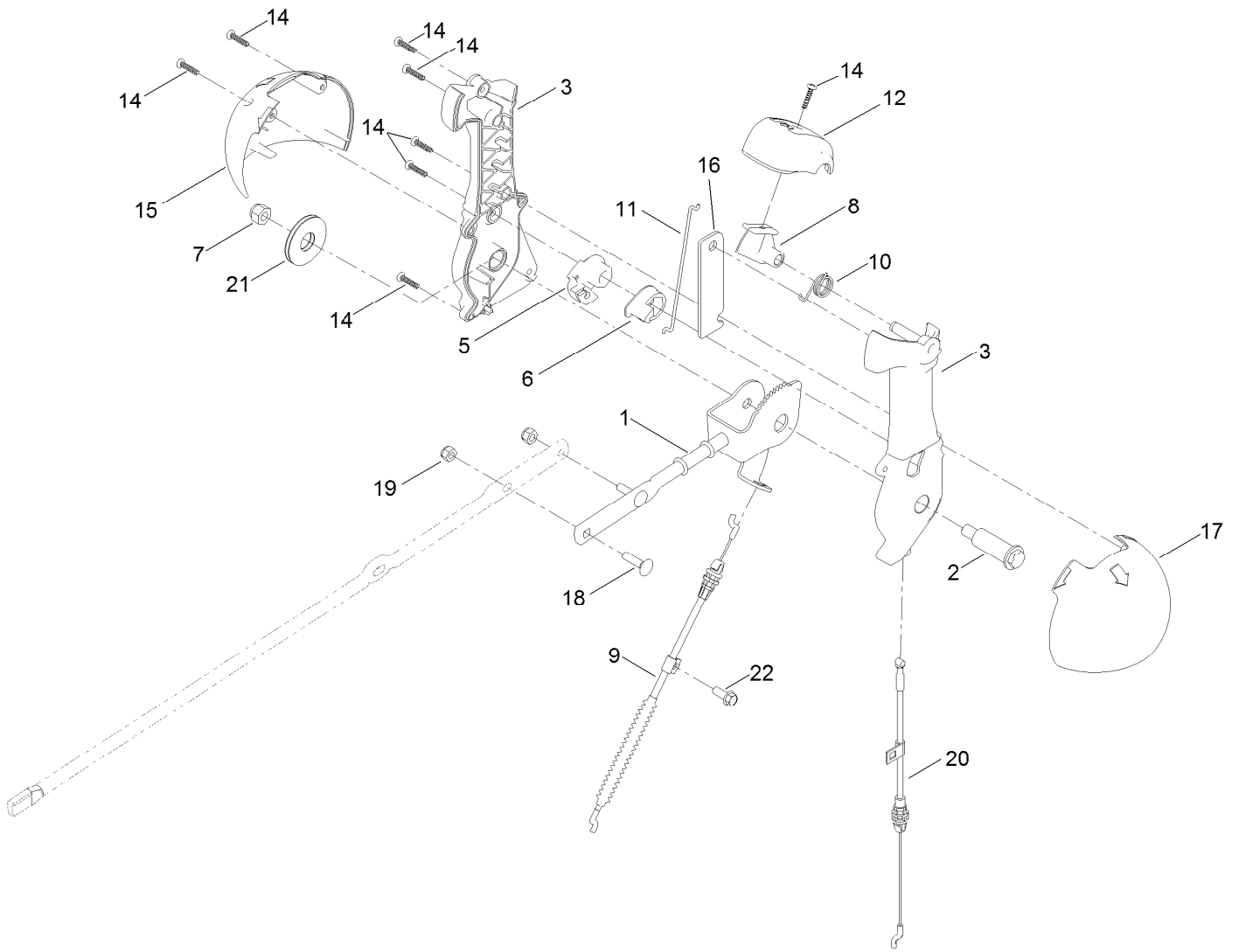
# Chute Assembly



## Chute Assembly (continued)

<i>Ref.</i>	<i>Part Number</i>	<i>Qty.</i>	<i>Description</i>	<i>Ref.</i>	<i>Part Number</i>	<i>Qty.</i>	<i>Description</i>
2	138-3605-03	1	Support-Chute	18	136-7197	3	Screw-Shoulder
3	138-3606	1	Mount-Gear, Face	19	108-7315	1	Spring-Torsion
4	106-4471	1	Gear-Face	20	137-3088	3	Nut-Hex
5	106-4422	1	Spacer-Chute	21	137-3103	1	Screw-Shoulder, HH
6	138-3611-01	1	Chute Weld ASM	22	137-3089	3	Nut-Hex
7	106-4472	1	Gear-Chute	23	136-7199	3	Bolt-Shoulder
8	138-3615-01	1	Deflector Weld ASM	24	46-6810	2	Screw And Washer ASM
9	138-3612-01	1	Bracket-Spring	25	138-3627	1	Cover-Chute, Gear
10	135-1929	3	Bolt-CARR	26	98-1375	1	Screw-HWH
11	138-0719	3	Nut-HF	27	138-0689	1	Screw-PH
12	136-7191	1	Clamp-Cable	28	138-3678	1	Spacer
13	137-3043	1	Screw-HWH	29	137-3094	1	Nut-Hex
14	106-4476	1	Latch-Chute	30	137-6198	1	Decal-Danger
15	138-3607	1	Anchor-Cable	31	138-3671	1	Gasket-Deflector
16	120-9698	2	Bolt-CARR	32	138-8493	1	Spring-Chute, Upper
17	119-4040	2	Nut-Flange, NI	33	74-1810	1	Washer

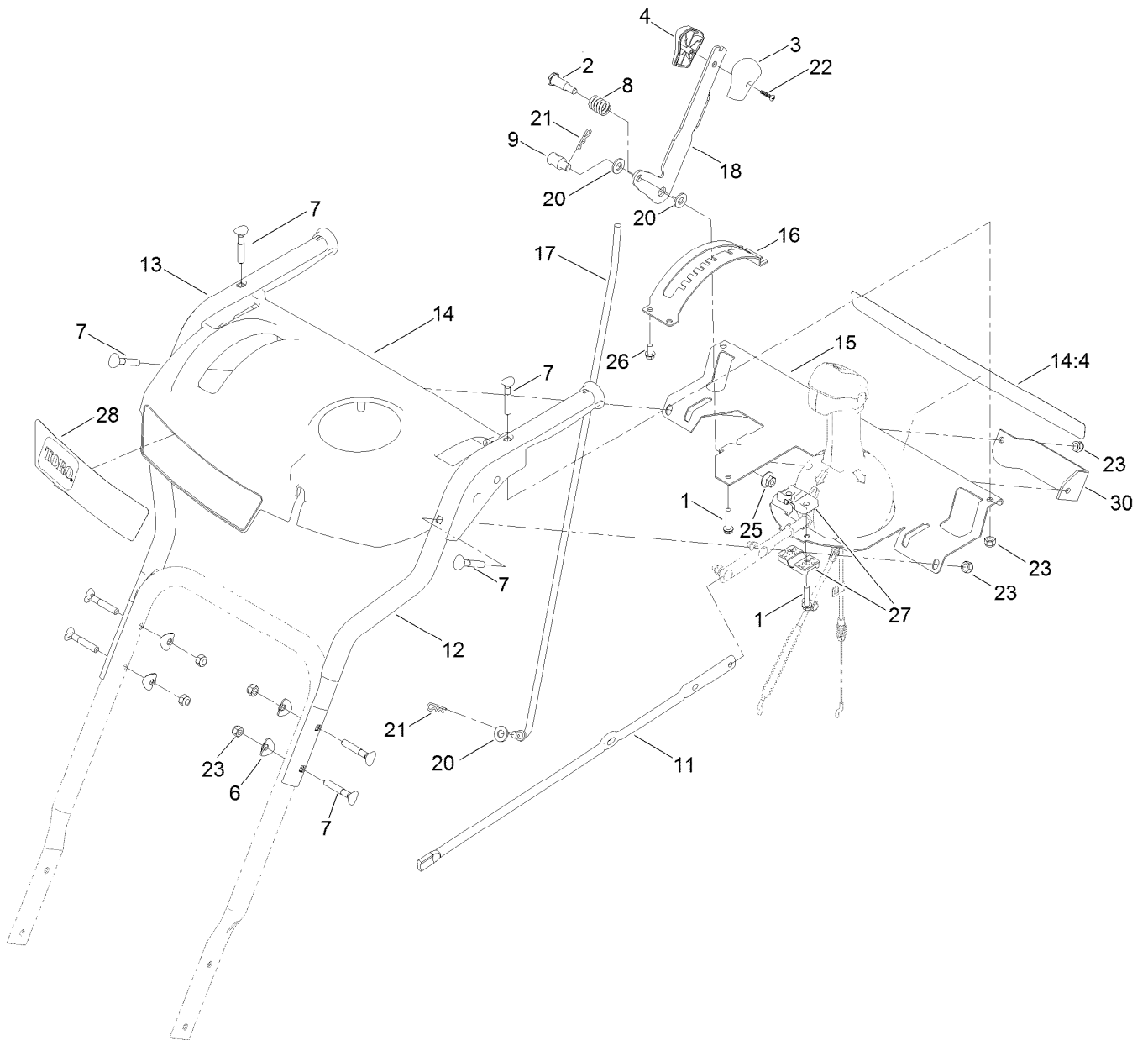
# Chute Control Assembly



## Chute Control Assembly (continued)

<i>Ref.</i>	<i>Part Number</i>	<i>Qty.</i>	<i>Description</i>	<i>Ref.</i>	<i>Part Number</i>	<i>Qty.</i>	<i>Description</i>
1	138-0662	1	Rod-Control, Chute	12	137-6239	1	Cap-Lever
2	138-0659	1	Screw-Shoulder, HWH	14	94-4496	8	Screw-PPH
3	139-1552	1	Chute Control Lever ASM	15	136-6677	1	Globe-Quickstick, RH
5	105-9988	1	Lever-Cable, Deflector	16	136-6632	1	Plate-Stiffner
6	106-7310	1	Pawl-Latch	17	136-6678	1	Globe-Quickstick, LH
7	137-3087	1	Nut-Hex	18	137-3056	3	Bolt-CARR
8	137-6238	1	Trigger-Latch	19	137-3094	3	Nut-Hex
9	138-3672	1	Cable-Control, Deflector	20	138-3673	1	Cable-Release, Chute
10	105-9982	1	Spring-Torsion	21	138-0744	1	Washer-Friction, Composite
11	138-0688	1	Link-Latch	22	32144-85	1	Screw-HWH

# Handle Assembly

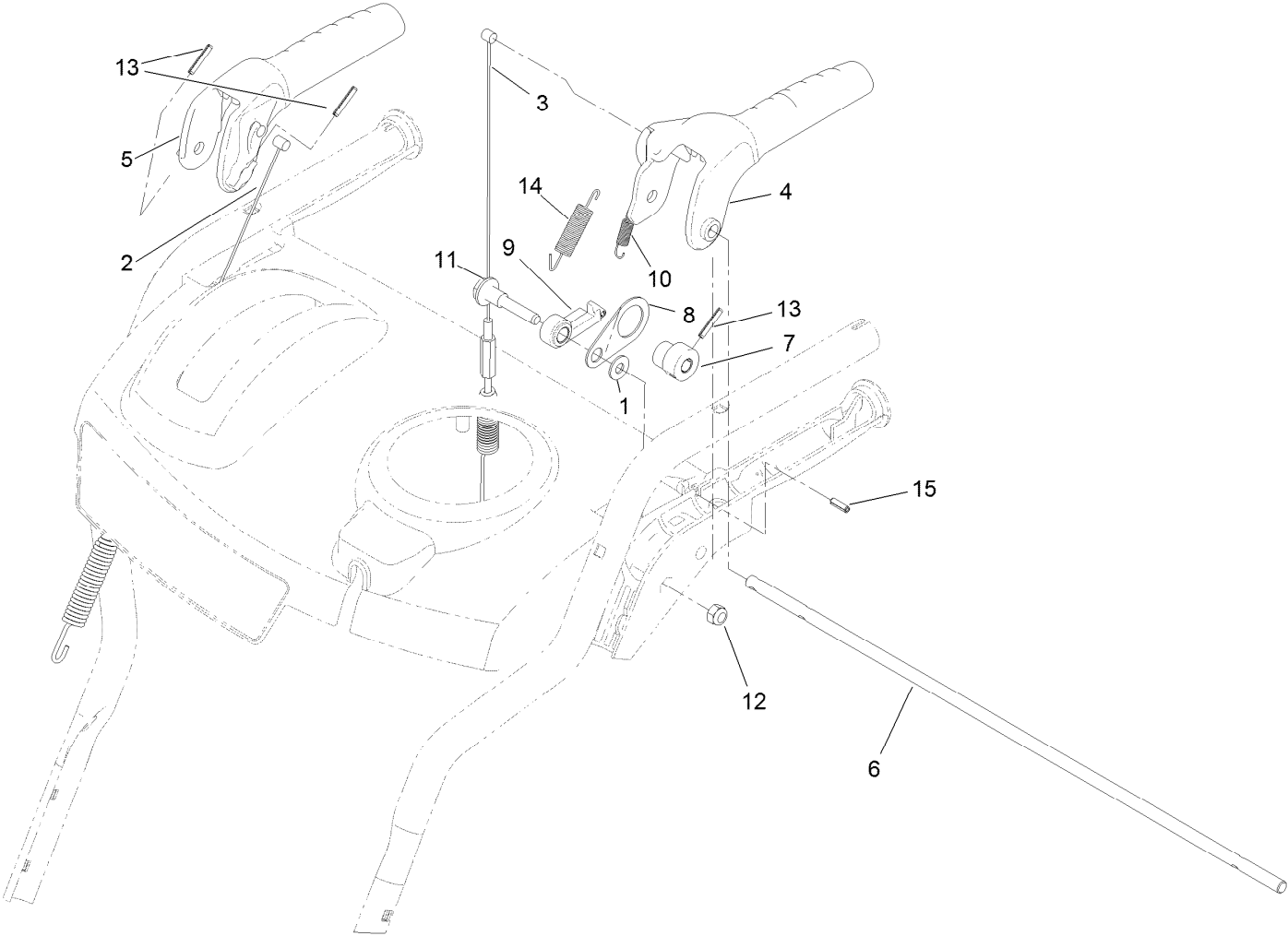




## Handle Assembly (continued)

<i>Ref.</i>	<i>Part Number</i>	<i>Qty.</i>	<i>Description</i>	<i>Ref.</i>	<i>Part Number</i>	<i>Qty.</i>	<i>Description</i>
1	137-3100	3	Screw-Plastite, HWH	15	138-3676-03	1	Support-Panel, Control
2	137-3103	1	Screw-Shoulder, HH	16	120-9258-03	1	Mount-Selector, Speed
3	105-9999	1	Knob-Shift, LH	17	136-7163	1	Rod-Selector, Gear
4	106-4423	1	Knob-Shift, RH	18	121-1242-03	1	Selector-Speed
6	137-3009	4	Washer-Cup	20	131-8667	3	Washer-Thrust
7	137-3107	8	Screw-Handle	21	137-3083	2	Pin-Hair
8	136-7121	1	Spring-Compression	22	94-4496	1	Screw-PPH
9	136-7193	1	Trunnion-Rod	23	137-3093	8	Nut-Hex
11	138-3635	1	Rod-Chute	25	137-3038	1	Nut-HF
12	120-7173-03	1	Handle-Upper, LH	26	46-8093	4	Screw-Plastite
13	120-7174-03	1	Handle-Upper, RH	27	105-9987	2	Support-Rod
14	138-8487	1	Control Panel ASM	28	121-1241	1	Decal-Model
14:4	121-1240	1	Decal-Safety	30	120-2301-03	1	Plate-Support, Shift

# Control Assembly



## Control Assembly (continued)

<i>Ref.</i>	<i>Part Number</i>	<i>Qty.</i>	<i>Description</i>	<i>Ref.</i>	<i>Part Number</i>	<i>Qty.</i>	<i>Description</i>
1	98-3499	1	Washer-Flat	9	121-1205	1	Latch-Lockout
2	121-6812	1	Cable-Auger	10	136-7161	1	Spring-Lockout, Handle
3	121-6813	1	Cable-Traction	11	136-7194	1	Screw-Shoulder
4	121-1200	1	Handle-Control, Traction	12	137-3093	1	Nut-Hex
5	121-1201	1	Handle-Control, Auger	13	137-3035	3	Pin-Spring
6	136-7125	1	Rod-Lockout	14	136-7162	1	Spring-Return, Lever
7	121-1203	1	Cam-Lockout	15	32121-2	1	Pin-Roll, Slotted
8	136-7160	1	Link-Lockout				

# Attachments and Accessories

## For 38814 Power Max 726 OE Snowthrower

<b>Product Name</b>	<b>Model/Part</b>
Weight Kit .....	107-3815
Snow Cab Kit.....	127-5960
Engine Maintenance Kit.....	138-0702
Non-Marking Skid Kit.....	38211
Heavy-Duty Skid Kit.....	38212
Drift Breaker Kit .....	38213
Toro Snow Oil 0W30 Synthetic 20-Ounce Bottle .....	38913
Toro 2-Stage Cover.....	490-7466
Plain 2-Stage Cover.....	490-7467

**Notes:**

**Notes:**

**Notes:**



**Count on it.**