



**Count on it.**

**Parts Catalog**

**Road Light and Horn Kit  
Outcross 9060 Series Traction Unit**

Model No. 07542



# Ordering Replacement Parts

To order replacement parts, please supply the part number, the quantity, and the description of each part desired.

## Understanding Reference Numbers

Each identified part in an illustration has a reference number. The reference number for a part also appears in the parts list, along with other information about the part.

This catalog uses two special reference number formats, one to indicate parts in a service assembly and another to indicate the quantity of a given part in an illustration.

## Service Assembly Reference Numbers

Parts in service assemblies have reference numbers in the form a:b. The a represents the reference number of the entire service assembly and the b represents a sequential number unique to each part within the service assembly.

For example, a wheel assembly might be identified by reference number 6, the tire by 6:1, the valve by 6:2, and the wheel by 6:3. When you order the assembly identified by reference number 6, you receive all parts identified by reference numbers 6:1, 6:2, and 6:3. However, you may also order any part individually. Reference numbers of this type appear in illustration and in parts lists.

## Reference Numbers Indicating Quantity

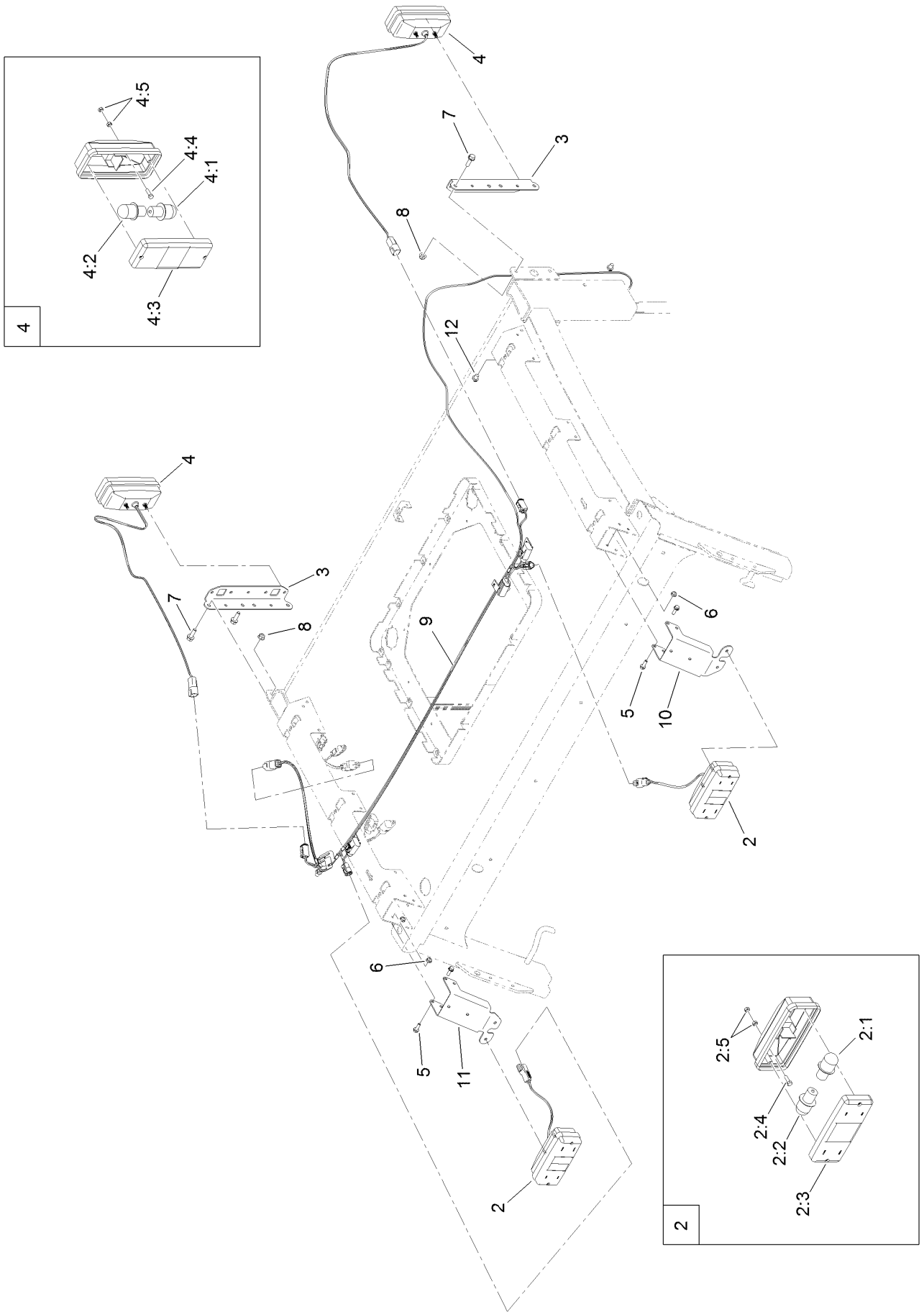
In an illustration, if a reference number indicates more than one part, the reference number has the form nX y. The n represents the quantity of the part, the X is the multiplication symbol, and the y represents the reference number.

For example, in an illustration, the reference number 2X 37 means that two of the parts identified by reference number 37 are indicated.

# Contents

Road Light Assembly ..... 4  
Road Light Components and Horn Assembly ..... 6  
Safety Decal Assembly ..... 8

# Road Light Assembly



## Road Light Assembly (continued)

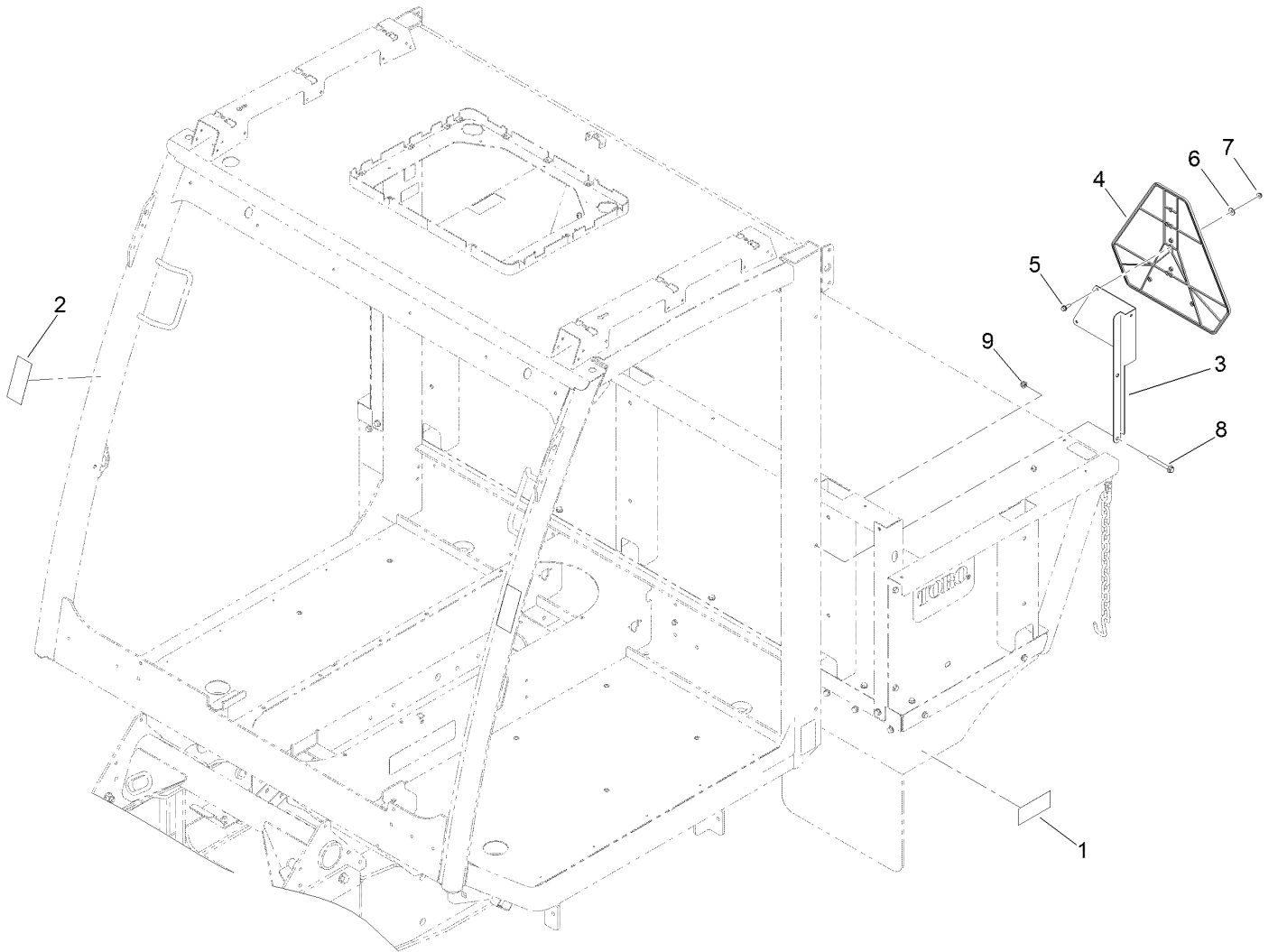
<i>Ref.</i>	<i>Part Number</i>	<i>Qty.</i>	<i>Description</i>	<i>Ref.</i>	<i>Part Number</i>	<i>Qty.</i>	<i>Description</i>
2	122-1103	2	Light-E C E, Front	4:4	60-6910	2	Screw-HH
2:1	7228	1	Bulb	4:5	48-7880	4	Nut-Hex
2:2	115-7859	1	Bulb-5008	5	115-5103	6	Screw-HHF
2:3	138-2955	1	Lens-Yellow/Wht	6	104-7201	6	Nut-HF
2:4	60-6910	2	Screw-HH	7	3234-29	4	Screw-HHF
2:5	48-7880	4	Nut-Hex	8	104-8300	4	Nut-HF, NI
3	139-2068-03	2	Mount-Turn/Stop, Rear	9	122-1249	1	Harness-Wire, Turn/Haz
4	119-8093	2	Tail Light ASM	10	139-2066-03	1	Mount-LH Turn, Front
4:1	7228	1	Bulb	11	139-2067-03	1	Mount-RH Turn, Front
4:2	108-8054	1	Bulb	12	32180-030	1	Clip-Tie
4:3	120-6656	1	Lens-Red/Amber				



# Road Light Components and Horn Assembly (continued)

<i>Ref.</i>	<i>Part Number</i>	<i>Qty.</i>	<i>Description</i>	<i>Ref.</i>	<i>Part Number</i>	<i>Qty.</i>	<i>Description</i>
1	138-8121-01	1	Bracket-Flasher	9	121-8866	1	Fuse-Mini Blade, 10 Amp
4	107-1013	4	Nut-Speed	10	121-8867	1	Fuse-Mini Blade, 15 Amp
5	105-4515	1	Flasher-Rate, Dual	11	112-3324	1	Switch-Horn
6	1-803071	4	Screw	12	112-3313	1	Nut-Weatherproof
7	120-3953	1	Switch-Paddle, On/Off/On	13	116749	1	Horn
8	122-1387	1	Harness-Wire				

# Safety Decal Assembly



## Safety Decal Assembly (continued)

<i>Ref.</i>	<i>Part Number</i>	<i>Qty.</i>	<i>Description</i>	<i>Ref.</i>	<i>Part Number</i>	<i>Qty.</i>	<i>Description</i>
1	108-8014	4	Tape-Reflective (Red)	5	3234-4	3	Screw-HHF
2	130-6070	2	Tape-Reflective (Yellow)	6	3256-78	3	Washer-Flat
3	139-2006-03	1	Mount-S M V	7	104-7201	3	Nut-HF
4	92-7760	1	Emblem-Vehicle, Slow Moving	8	126-4687	2	Screw-HHF
				9	104-8300	2	Nut-HF, NI

**Notes:**

**Notes:**



**Count on it.**