



Count on it.

Parts Catalog

55cm Recycler[®]

Lawn Mower with SmartStow[®]

Model No. 21768—Serial No. 40000000 and Up



Ordering Replacement Parts

To order replacement parts, please supply the part number, the quantity, and the description of each part desired.

Understanding Reference Numbers

Each identified part in an illustration has a reference number. The reference number for a part also appears in the parts list, along with other information about the part.

This catalog uses two special reference number formats, one to indicate parts in a service assembly and another to indicate the quantity of a given part in an illustration.

Service Assembly Reference Numbers

Parts in service assemblies have reference numbers in the form a:b. The a represents the reference number of the entire service assembly and the b represents a sequential number unique to each part within the service assembly.

For example, a wheel assembly might be identified by reference number 6, the tire by 6:1, the valve by 6:2, and the wheel by 6:3. When you order the assembly identified by reference number 6, you receive all parts identified by reference numbers 6:1, 6:2, and 6:3. However, you may also order any part individually. Reference numbers of this type appear in illustration and in parts lists.

Reference Numbers Indicating Quantity

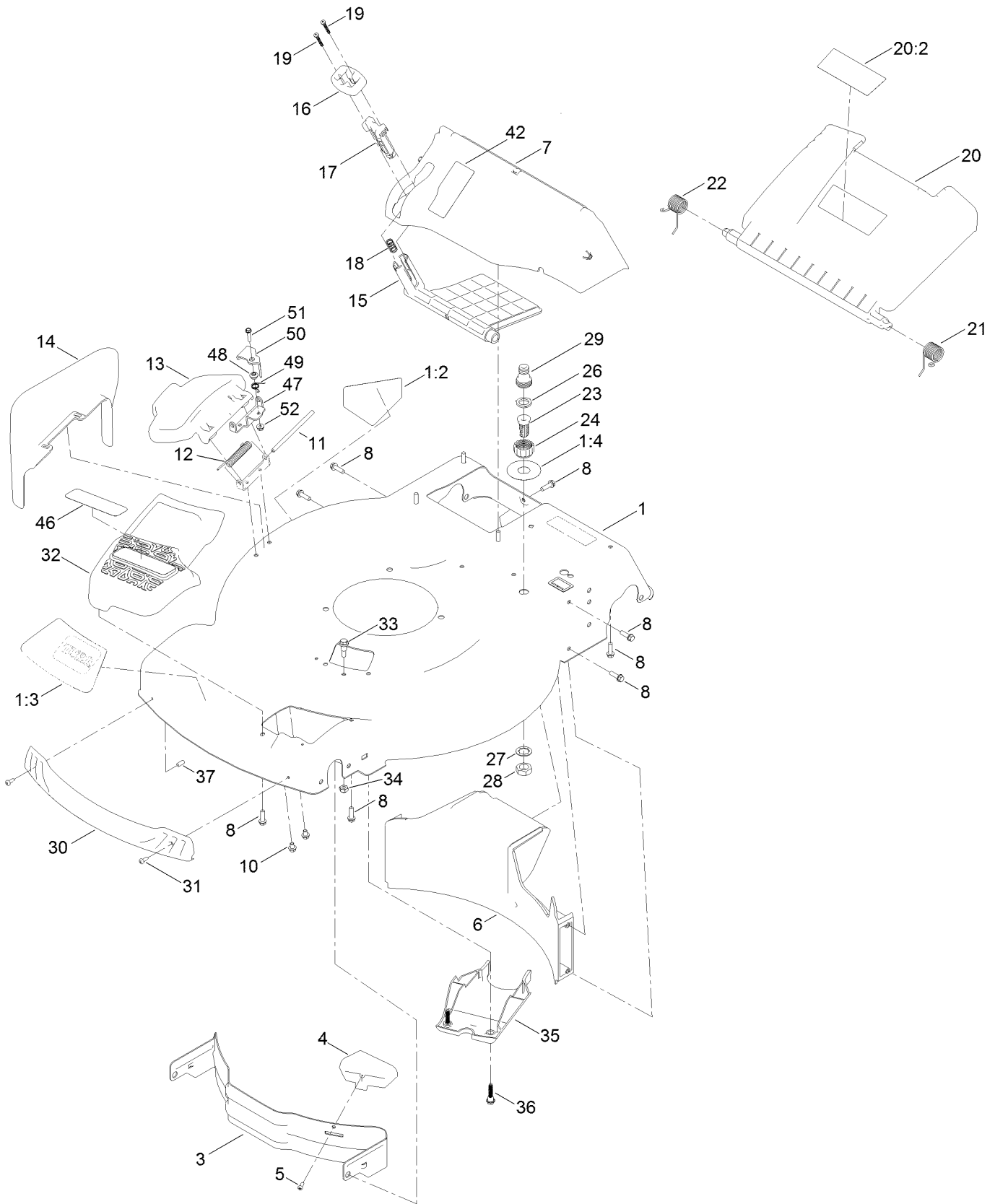
In an illustration, if a reference number indicates more than one part, the reference number has the form nX y. The n represents the quantity of the part, the X is the multiplication symbol, and the y represents the reference number.

For example, in an illustration, the reference number 2X 37 means that two of the parts identified by reference number 37 are indicated.

Contents

Housing Assembly	4
Bag Assembly	6
Engine and Blade Assembly	8
Front Wheel and HOC Assembly	10
Rear Wheel and Height-of-Cut Assembly	12
Handle Assembly	14
Attachments and Accessories	16

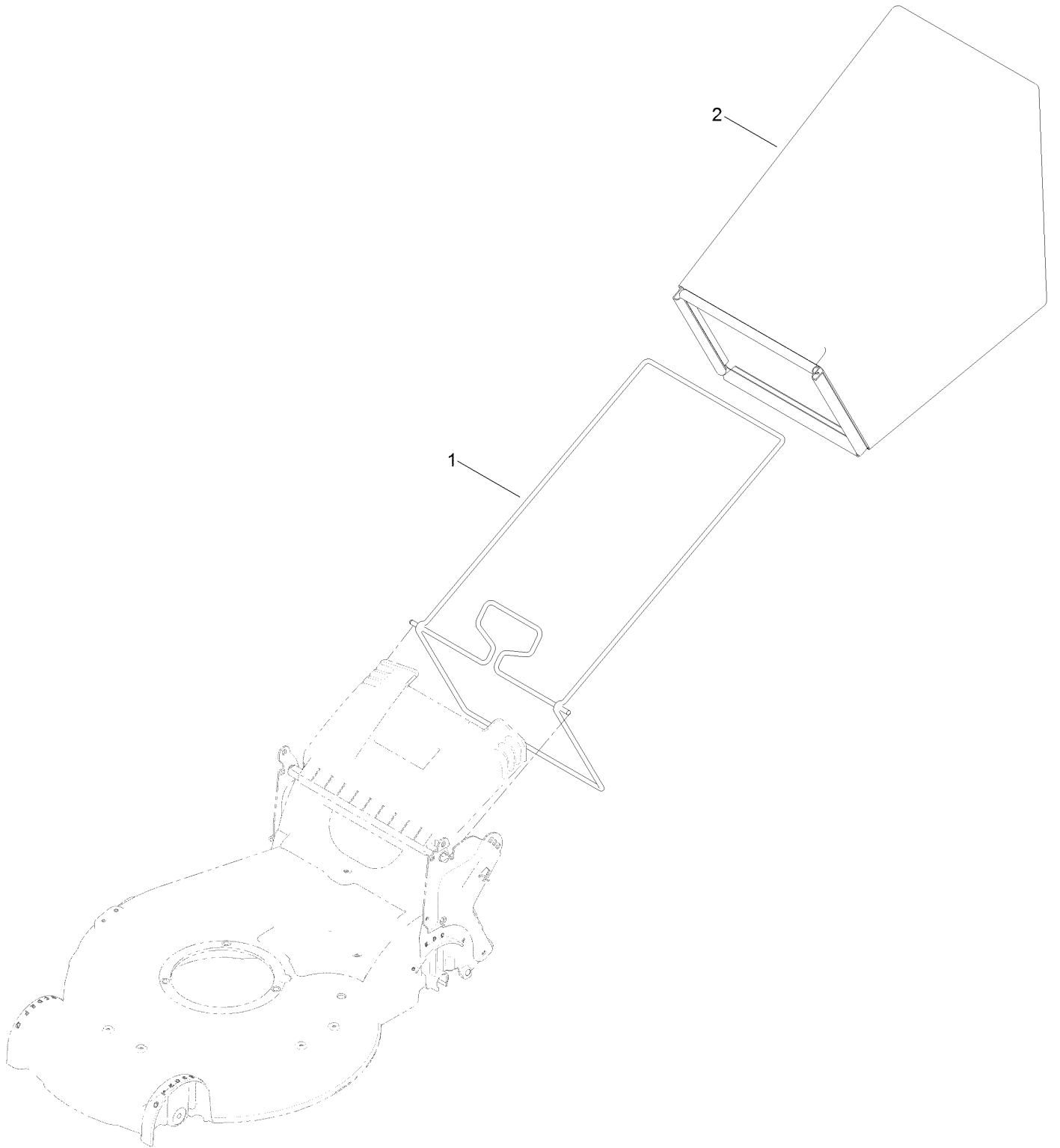
Housing Assembly



Housing Assembly (continued)

<i>Ref.</i>	<i>Part Number</i>	<i>Qty.</i>	<i>Description</i>	<i>Ref.</i>	<i>Part Number</i>	<i>Qty.</i>	<i>Description</i>
1	131-9671	1	Housing ASM	23	112-6400	1	Port-Washout
1:2	112-8760	1	Decal-Danger	24	112-6401	1	Coupling-Hose, Washout Port
1:3	120-3323	1	Decal-Deck	26	112-6438	1	Washer-Seal, Washout Port
1:4	137-9196	1	Decal-Quick Wash	27	139-1721	1	Washer-Lock, Int Tooth
3	115-4667-01	1	Baffle-Front	28	3218-6	1	Nut-Jam
4	115-4672	1	Kicker-Front	29	112-6437	1	Adapter-Connect, Quick
5	139-1703	1	Screw-Plastic, PPH	30	114-7987	1	Bumper
6	139-8982	1	Baffle-Rear	31	105-6849	2	Screw-Forming, Thread
7	136-5882	1	Chute-Recycle	32	137-4821	1	Cover-Belt, Front
8	137-3099	11	Screw-Plastite, HWH	33	104-0858	1	Bolt-Shoulder
10	137-4795	2	Screw	34	139-1724	1	Nut-Lock
11	99-5291	1	Rod-Cover	35	133-1973	1	Cover-Belt, Front
12	99-5293	1	Spring-Torsion	36	131-0837	2	Screw-Shoulder, HHF
13	138-5316	1	Deflector-Discharge, Side	37	130-6660	2	Cap-Plug
14	115-8447	1	Chute-Discharge, Side	42	125-5026	1	Decal
15	114-7960	1	Deflector-Recycle	46	137-4818	1	Decal-Belt Cover, Powereverse
16	114-7958	1	Knob-Recycle	47	138-3293	1	Bracket-Lockout
17	114-7959	1	Latch-Recycle	48	107-7463	1	Spacer
18	117-1031	1	Spring-Compression	49	107-7462	1	Spring-Torsion
19	32104-120	2	Screw-PPH	50	138-3292	1	Lever-Lockout
20	137-9139	1	Rear Door ASM	51	106-9169	1	Screw-HWH
20:2	131-4514	1	Decal-Warning	52	139-1712	1	Nut-Hex Flange
21	115-2859	1	Spring-Torsion				
22	114-7924	1	Spring-Torsion				

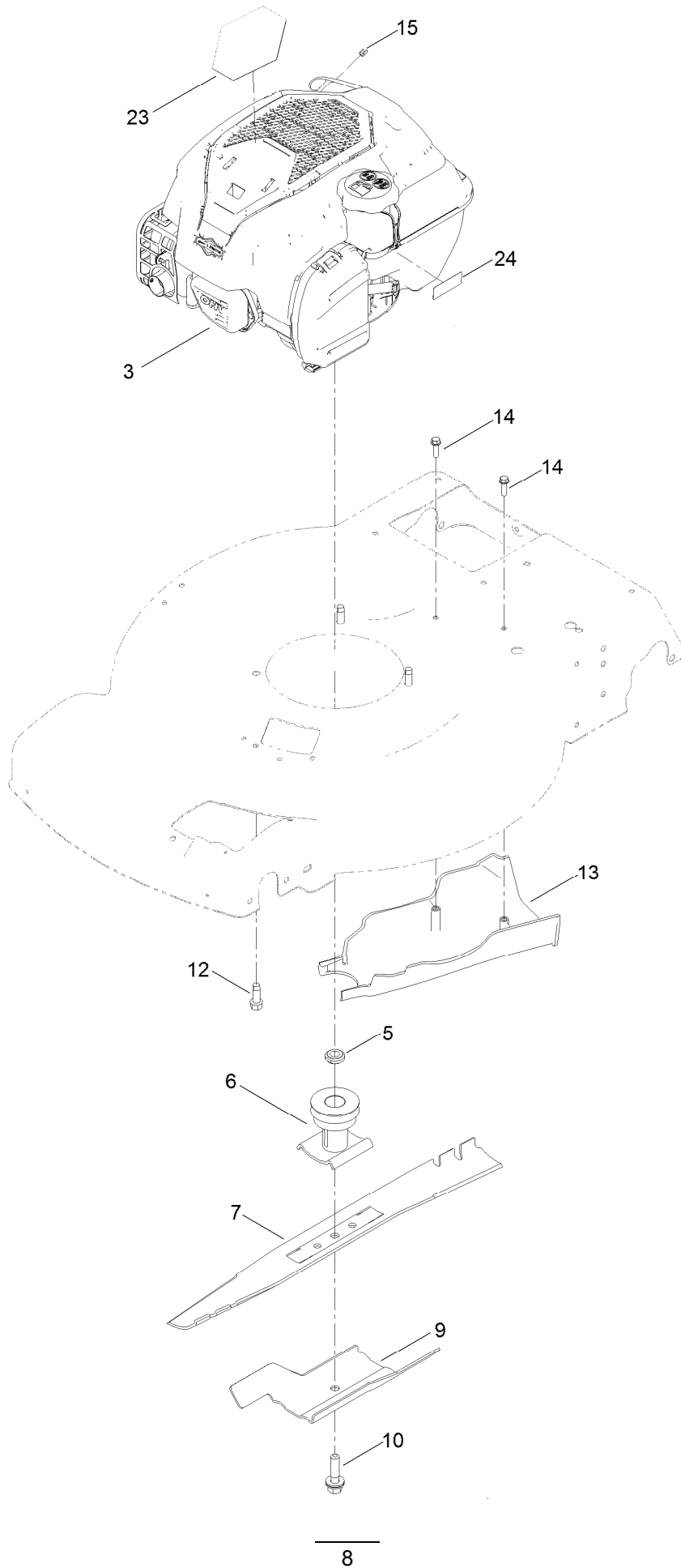
Bag Assembly



Bag Assembly (continued)

<i>Ref.</i>	<i>Part Number</i>	<i>Qty.</i>	<i>Description</i>
1	132-4529-03	1	Bag Frame ASM
2	114-2664	1	Grass Bag ASM

Engine and Blade Assembly



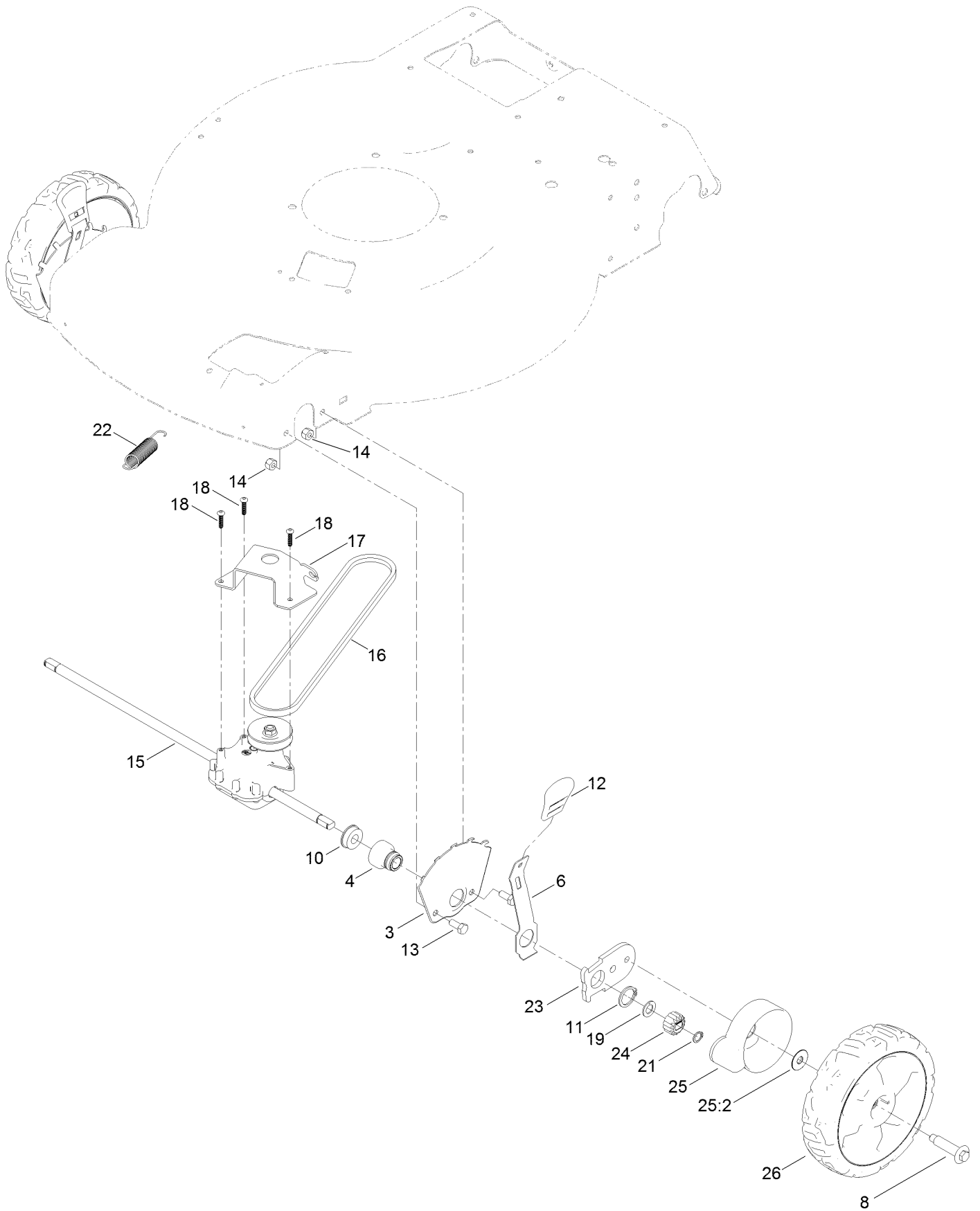
Engine and Blade Assembly (continued)

<i>Ref.</i>	<i>Part Number</i>	<i>Qty.</i>	<i>Description</i>	<i>Ref.</i>	<i>Part Number</i>	<i>Qty.</i>	<i>Description</i>
3		1	Engine-Briggs,104M020130F1 ●■	12	95-1726	3	Screw-Taptite
5	106-3999	1	Spacer-Driver	13	130-6709	1	Cover-Belt, Rear
6	130-6705	1	Driver-Blade	14	137-3099	2	Screw-Plastite, HWH
7	131-9683-03	1	Blade	15	2210-316	1	Stop-Rope
9	105-6848-03	1	Accelerator-Blade	23	133-8176	1	Decal-Shroud
10	125-2466	1	Bolt-Blade	24	133-8198	1	Decal-Level, Fuel

● Not serviced separately

■ Obtain parts from www.briggsandstratton.com

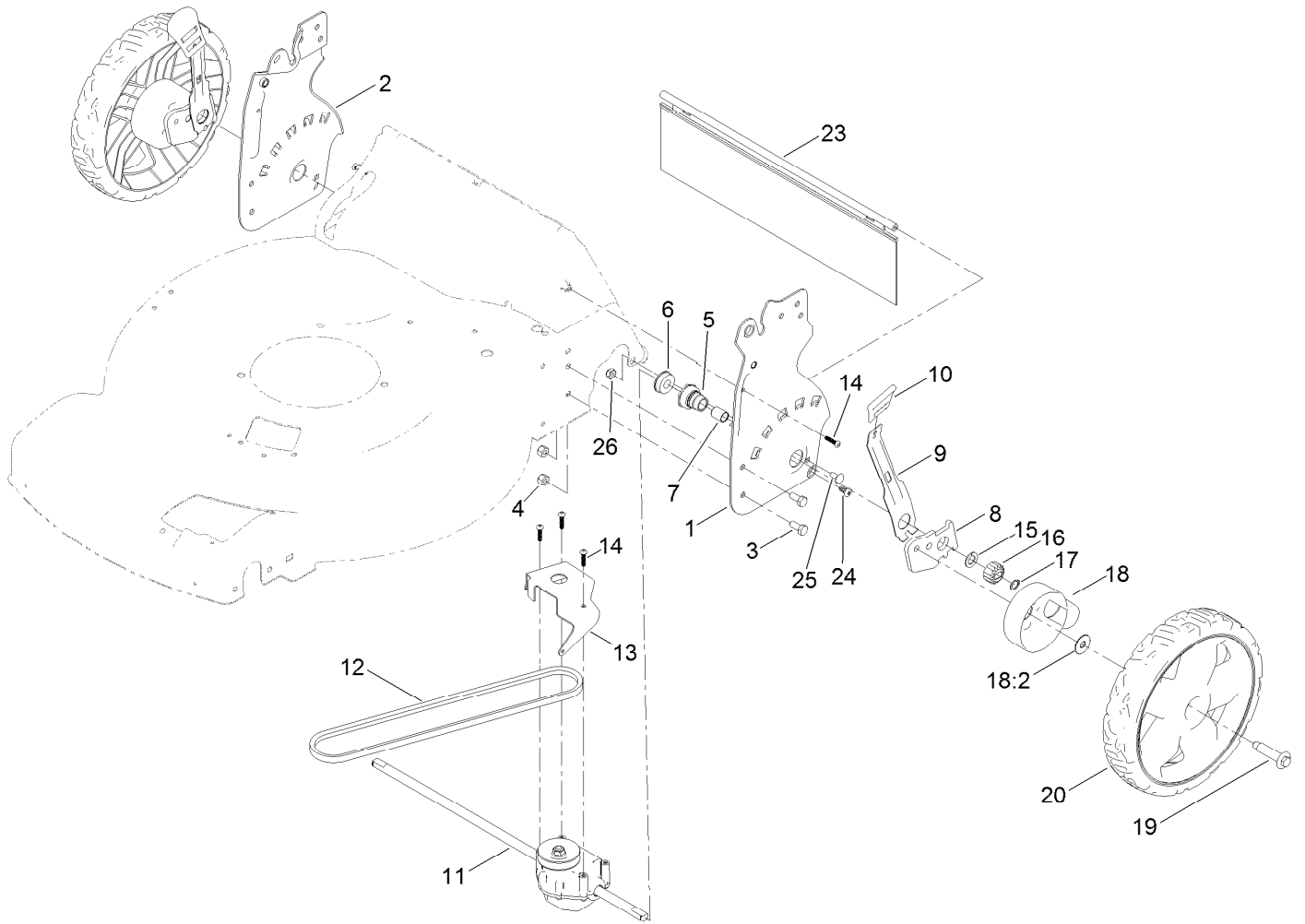
Front Wheel and HOC Assembly



Front Wheel and HOC Assembly (continued)

<i>Ref.</i>	<i>Part Number</i>	<i>Qty.</i>	<i>Description</i>	<i>Ref.</i>	<i>Part Number</i>	<i>Qty.</i>	<i>Description</i>
3	115-1956-03	2	Plate-HOC, Front	17	114-7978-03	1	Bracket-Transmission
4	131-0836	2	Retainer-Bearing, HOC	18	120-9676	3	Screw-Plastite
6	105-1809	2	Arm-Spring	19	110-7191	2	Washer-Thrust
8	614650	2	Bolt-Shoulder	21	32151-61	2	Ring-Retaining
10	104-8699	2	Bearing-Ball	22	136-7059	1	Spring-Extension
11	32151-36	2	Ring-Retaining	23	137-9184	2	Arm-Pivot, Front
12	110-0549	2	Knob-HOC	24	131-5399	2	Gear-Pinion, 15T
13	137-3052	4	Screw-HH	25	136-9057	2	Gear Cover ASM
14	119-4038	4	Nut-Hex	25:2	614426	1	Washer-Stepped
15	137-4823	1	Transmission	26	130-6714	2	Wheel Gear ASM (8In)
16	71-9450	1	V-Belt				

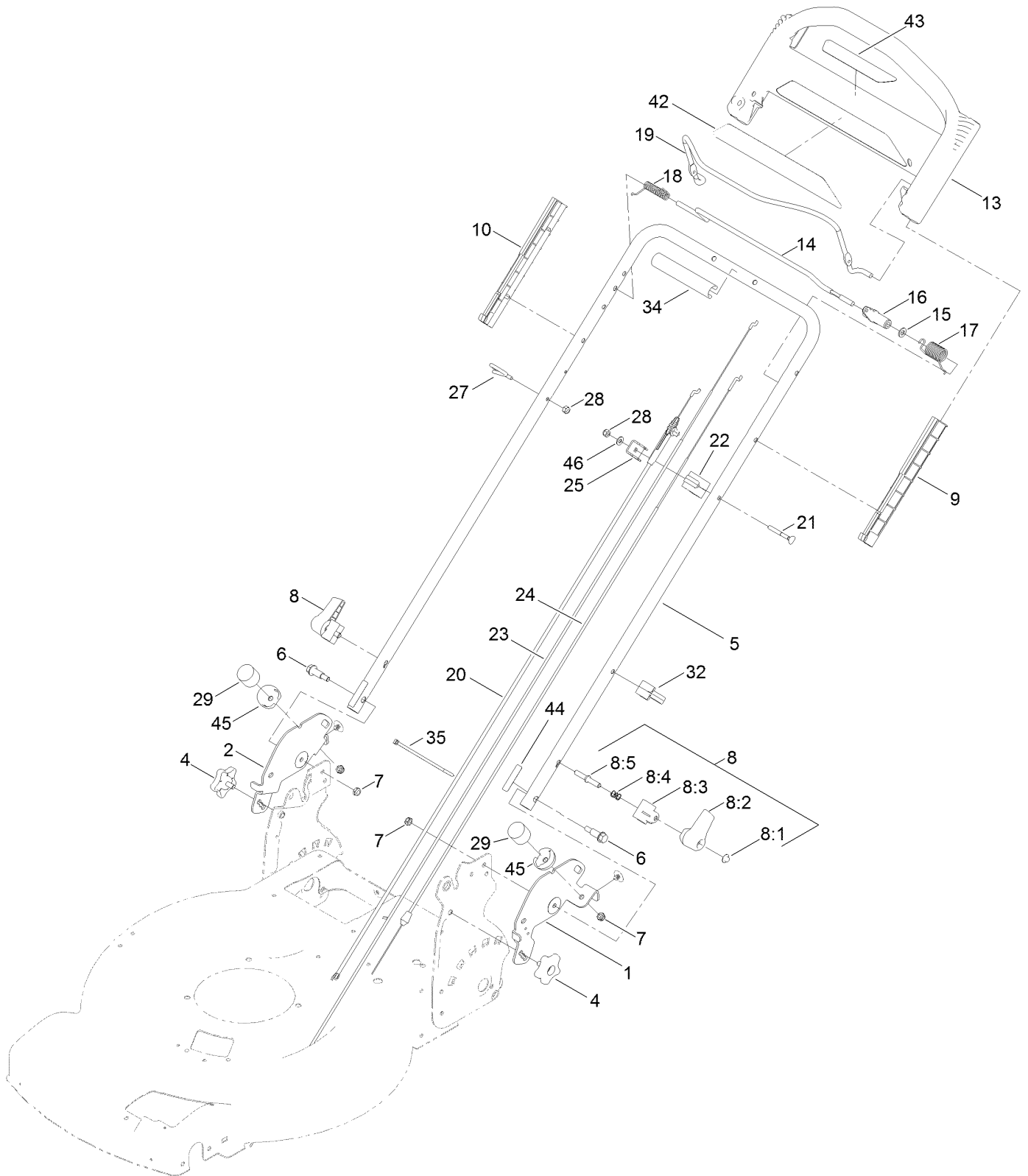
Rear Wheel and Height-of-Cut Assembly



Rear Wheel and Height-of-Cut Assembly (continued)

<i>Ref.</i>	<i>Part Number</i>	<i>Qty.</i>	<i>Description</i>	<i>Ref.</i>	<i>Part Number</i>	<i>Qty.</i>	<i>Description</i>
1	137-9104	1	HOC Plate ASM (LH)	14	120-9676	5	Screw-Plastite
2	137-9103	1	HOC Plate ASM (RH)	15	110-7191	2	Washer-Thrust
3	137-3052	4	Screw-HH	16	131-5399	2	Gear-Pinion, 15T
4	119-4038	4	Nut-Hex	17	32151-61	2	Ring-Retaining
5	108-9779	2	Retainer-Bushing, HOC	18	136-9057	2	Gear Cover ASM
6	104-8699	2	Bearing-Ball	18:2	614426	1	Washer-Stepped
7	108-9782	2	Bushing-Sleeve	19	614650	2	Bolt-Shoulder
8	136-9090	2	Arm-Pivot, Rear	20	136-5859	2	Wheel Gear ASM
9	132-4486	2	Arm-Spring	23	139-6604	1	Shield-Trailing
10	110-0549	2	Knob-HOC	24	139-1692	2	Screw-Thd
11	137-4825	1	Transmission-Rwd (6:1)	25	100-1445	2	Bolt-CARR
12	91-2258	1	Belt-V	26	139-1724	2	Nut-Lock
13	132-4481-01	1	Bracket-Transmission				

Handle Assembly



Handle Assembly (continued)

<i>Ref.</i>	<i>Part Number</i>	<i>Qty.</i>	<i>Description</i>	<i>Ref.</i>	<i>Part Number</i>	<i>Qty.</i>	<i>Description</i>
1	140-3831-03	1	Bracket-Float, LH	18	136-7166	1	Spring-Torsion
2	137-4838-03	1	Bracket-Float, RH	19	131-0880-03	1	Bail-Brake
4	137-4844	2	Knob-Handle	20	115-8437	1	Cable-Brake
5	140-3824-05	1	Handle-Upper	21	137-3108	1	Screw-Handle
6	130-2344	2	Bolt-Shoulder	22	130-6716	1	Mount-Cable, Traction
7	137-3089	4	Nut-Hex	23	137-4814	1	Cable-Traction, Front
8	138-3249	2	Quick Release ASM	24	137-4815	1	Cable-Traction, Rear
8:1	32112-11	1	Nut-Push	25	136-5922	1	Clamp-Cable
8:2	138-3248	1	Lever-Release	27	86-9671	1	Guide-Rope
8:3	138-3253	1	Anchor-Spring	28	137-3094	2	Nut-Hex
8:4	115-2858	1	Spring-Compression	29	137-4803	2	Bumper-Rubber
8:5	138-3243	1	Rod-Release	32	114-7988	1	Guide-Cable
9	136-5879	1	Guide-LH	34	131-4551	1	Cover-Handle
10	136-5880	1	Guide-RH	35	614249	1	Tie-Cable
13	136-5877	1	Handle-Pace, Personal	42	136-9138	1	Decal-Powereverse
14	136-7150	1	Bar-Control, Traction	43	138-3278	1	Decal-Instruction, Drive
15	120-9683	1	Washer-Plain	44	140-3827	2	Decal-Flex
16	136-5878	1	Lever-Traction	45	137-9100	2	Cover-Bumper
17	136-5883	1	Spring-Torsion	46	139-1699	1	Washer-Flat

Attachments and Accessories

For 21768 55cm Recycler Lawn Mower with SmartStow

Product Name	Model/Part
22 Inch Atomic Blade	59534P
AWD Replacement Bag and Frame Kit	131-4556
Lawn Striping Kit with 22in Roller.....	20601
Fuel Stabilizer .05 oz	130-2393
Traction Assist Handle Kit.....	131-4590
Bag-Walk Behind (Toro).....	490-7318
Toro Premium Fuel Treatment 12 Oz Bottle	131-6572
4-Cycle Fuel, Snow And Lawn 32oz Can	131-3823
Oil-30/10W-30 Synthetic (Quart).....	138-6053
Summer Oil-Case of 24 (20oz Bottles).....	38916
Toro 4-Cycle SAE 30 Oil (32oz Bottle)	38903

Notes:

Notes:

Notes:



Count on it.