



## RECYCLER<sup>®</sup> KIT for 44" Mowers

Model No. 79174

### INSTALLATION INSTRUCTIONS

## Loose Parts

**Note:** Use the chart below to identify parts used for assembly.

DESCRIPTION	QTY.	USE
Kicker	4	Install kickers
Carriage bolt 5/16-18 x 3/4" (19mm)	4	
Spacer	4	
Locknut 5/16" (7.9 mm)	4	
High-lift blade	3	Replace standard blades on mower
Baffle, left side	1	Install Recycler <sup>®</sup> baffles
Baffle, right side	1	
Bolt 5/16-18 x 1-1/4" (31.8mm)	4	
Bellville washer	4	
Locknut 5/16" (7.9mm)	8	
Decal	1	Install onto mower

## Preparing the Mower

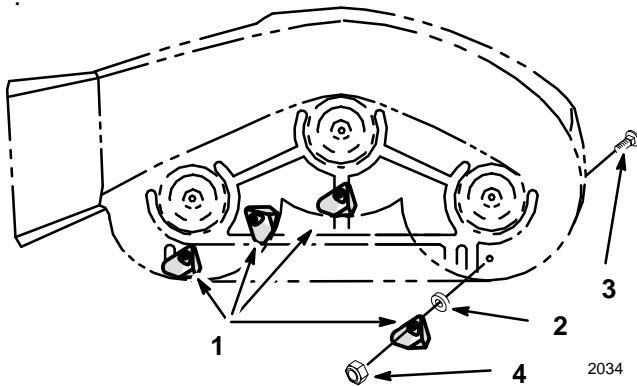
1. Remove the mower from tractor; refer to Removing the Mower, in Mower Operator's Manual.
2. Thoroughly clean the mower. All debris must be removed to ensure that the baffles and kickers will fit properly against cutting chamber.
3. Tip the mower upside down and block up the ends to ease installation of the Recycler<sup>®</sup> baffle.

**IMPORTANT:** There are bolts (washers and locknuts) installed in some of the open holes of the cutter deck for safety. Remove this

hardware if the hole is needed for installation of the Recycler<sup>®</sup> kit. Save these fasteners and reinstall them in the same open holes when any portion of the Recycler<sup>®</sup> kit is removed.

## Installing the Kickers

Place spacers and kickers inside the mower, over the holes provided (Fig. 1). Remove any hardware installed in these holes and save for reinstallation if the kickers are removed. Secure the kickers with (4) 5/16–18 x 3/4" (19 mm) carriage bolts, (through from the top side of the mower) and (4) 5/16" locknuts (Fig. 1).



**Figure 1**

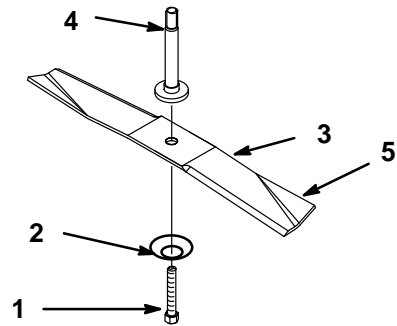
- |           |                               |
|-----------|-------------------------------|
| 1. Kicker | 3. Bolt 5/16–18 x 3/4" (19mm) |
| 2. Spacer | 4. Locknut 5/16" (7.9mm)      |

## Installing the High-lift Blades

1. Remove standard blades (Fig. 2).
2. Holding the blade end using a rag or thickly padded glove, install each high-lift blade, Belleville washer (concave side toward the blade) and the blade bolt (Fig. 2).

**IMPORTANT: The sail (curved part of the blade) must be pointing toward the top of the mower to ensure proper cutting.**

3. Tighten the blade bolt to the torque specified in the Mower Operator's Manual.



**Figure 2**

- |  |            |
|--|------------|
| 1. Blade bolt                                  | 3. Blade   |
| 2. Belleville washer—concave side toward blade | 4. Spindle |
|  | 5. Sail    |

1796

## Installing Recycler® Decal

1. Remove backing paper and apply decal to left side of mower (Fig. 4). Smooth from center to edges to remove air bubbles.

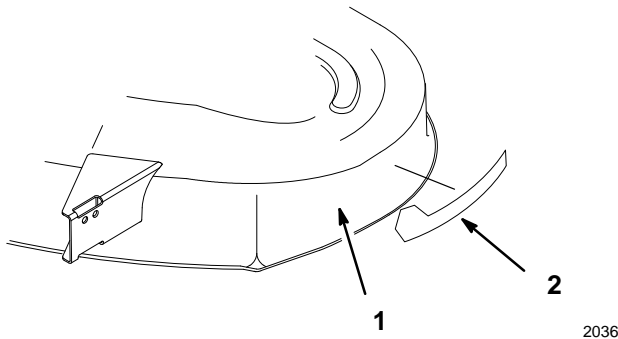


Figure 3

1. Mower left side
2. Decal

## Assemble the Recycler® Baffles

1. Place (4) 5/16"–18 x 1 1/4 bolts into the deep recessed holes in the left and right baffles. Secure the bolts with (4) 5/16" locknuts in the shallow recesses. Refer to Figures 4 and 5 for correct assembly and hole usage.

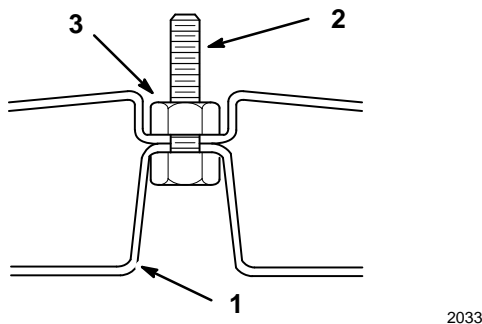


Figure 4

1. Deep recess
2. Bolt 5/16–18 x 1-1/4" (31.8mm)
3. Locknut 5/16" (7.9mm)

## Installing the Recycler® Baffles

1. Place the left side baffle inside the cutting chamber. Secure it with (2) 5/16" locknuts and (2) Bellville washers (Fig. 5).

**Note:** Concave side of Bellville washers goes toward the mower

2. Place the right side baffle inside the cutting chamber so the extended lug interlocks with the left side baffle, and secure it with (2) locknuts and 2 Bellville washers (Fig. 5).

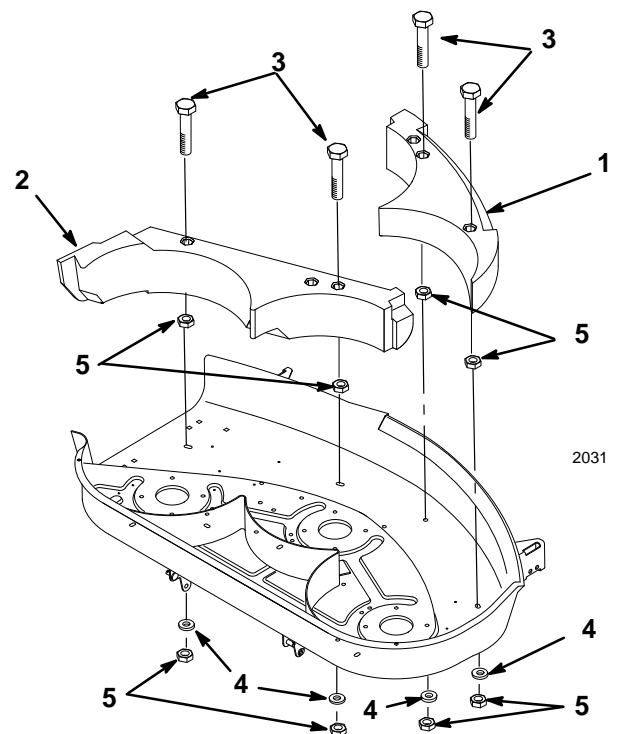


Figure 5

1. Baffle left side
2. Baffle right side
3. Bolt 5/16–18 x 1-1/4" (31.8mm)
4. Bellville washer
5. Locknut 5/16" (7.9mm)

3. Tighten all mounting hardware securely.
4. Rotate blades to assure there is at least 1/8" clearance between blades and baffle.
5. Install mower onto tractor; refer to Installing the Mower, in Mower Operator's Manual.

## Removing the Right Baffle for Side Discharge Cutting

1. Thoroughly clean the mower.
2. Remove the locknuts and Bellville washers from the right side baffle (Fig. 5).

**Note:** Only the right side baffle needs to be removed for side discharge mowing.

**Note:** Save the hardware for use when reinstalling the baffle.

3. Lift the baffle and slide it out of the interlock with the left side baffle.
4. For safety, install the previously removed bolts, washers and locknuts into the open holes of the mower, wherever hardware was removed.

### **DANGER**

#### **POTENTIAL HAZARD**

- **Open holes in the mower expose you and others to thrown debris.**

#### **WHAT CAN HAPPEN**

- **Debris thrown out of holes in the mower can cause injury.**

#### **HOW TO AVOID THE HAZARD**

- **Never operate the mower without hardware mounted in all holes in the mower.**
- **Install hardware in mounting holes when the baffle is removed.**