



62" Pulley and Belt Kit

For Model 74208 Serial No. 890001 and Up
For Model 74203 Serial No. 990001 to 994000

Part No. 100-2318

**INSTALLATION
INSTRUCTIONS**

Loose Parts

Note: Use the chart below to identify parts for assembly.

DESCRIPTION	QTY.	USE
Pulley Assembly	1	Install Pulleys
Belt	1	
Bracket	1	Install Front Idler Pulley Bracket
Bolt (5/16"–18 x 3/4")	4	
Flange Nut	4	
Pulley	1	Install Front Idler Pulley
Spacer	1	
Belt Guide Plate	1	
Spring Disk	2	
Bolt (3/8" –16 x 2–1/4")	1	
Bolt (3/8" –16 x 3–3/4")	1	
Spacer Bracket	1	
Idler Arm	1	Install Rear Idler Arm
Flat Washers	2	
Belt Guide	1	Install Belt Guide
Bolt	1	
Washer	1	
Nut	1	

Removing Belts

1. Stop the engine, set the parking brake, remove the key and disconnect the spark plug wire(s) from the spark plug(s).
2. Remove the clutch retaining strap from machine frame and unplug clutch terminal from wire harness (Fig. 1).

Note: Leave clutch retaining strap attached to the clutch.
3. Remove the drive belt (Fig. 1).
4. Loosen idler pulley on deck belt. Remove deck belt from center spindle pulley (see Operator's Manual for instructions).

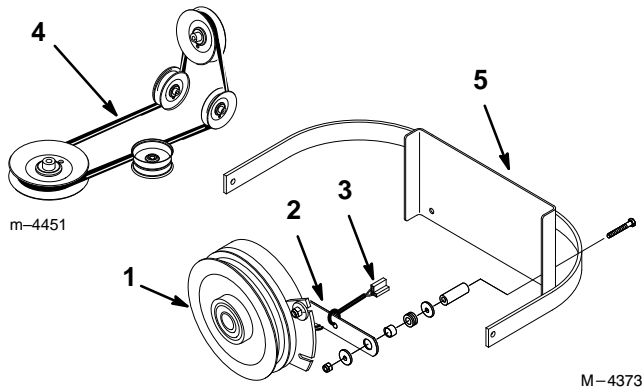


Figure 1

- | | |
|---------------------------|------------------|
| 1. Clutch | 4. Drive belt |
| 2. Clutch retaining strap | 5. Machine Frame |
| 3. Clutch Terminal | |

Removing Deck

1. Lower the deck on to wood blocks.
2. Remove the four bolts at the bottom of chains that attached to deck (Fig. 2).
3. Remove the nuts and bolts holding pins in the push arm (Fig. 2).
4. Remove pins (Fig. 2).
5. Raise height of cut lever and slide deck out (Fig. 2).

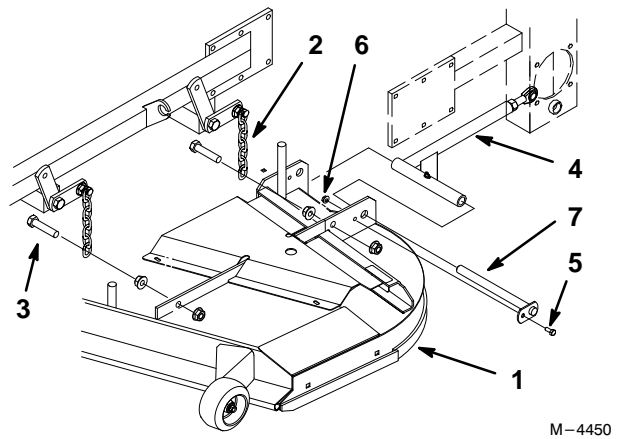


Figure 2

- | | |
|---------------|------------------|
| 1. Deck | 5. Push Arm Bolt |
| 2. Chain | 6. Push Arm Nut |
| 3. Chain Bolt | 7. Push Arm Pin |
| 4. Push Arm | |

Installing Front Idler Pulley Bracket

1. Remove existing belt guide and hardware and discard (Fig. 3).
2. Align hole in bracket to the hole the belt guard was installed in (Fig. 3).
3. Position belt idler bracket rear edge parallel to the rear edge of deck (Fig. 3).
4. Install one bolt through the bracket and where the belt guide was installed in deck. Install nut and tighten (Fig. 3).
5. Using bracket as a template, drill three 21/64" holes into deck (Fig. 3).
6. Install bolts into bracket and securely tighten bracket to the deck with nuts (Fig. 3).

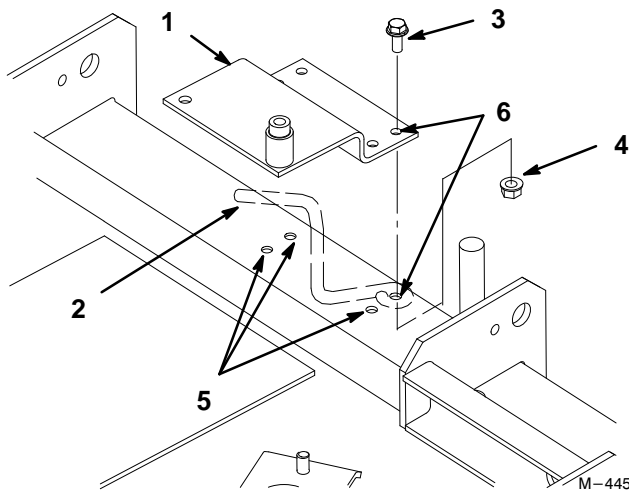


Figure 3

- | | |
|-------------------------|-------------------|
| 1. Idler Pulley Bracket | 4. Nut |
| 2. Existing Belt Guide | 5. Holes to Drill |
| 3. Bolt | 6. Align Holes |

Installing Front Idler Pulley

1. Install pulley onto the idler bracket mounting stud (Fig. 4).
2. Install bolt (3/8" x 2-1/4") into spring disk washer, belt guide plate and short spacer. Install into the center of mounting stud. Do not tighten (Fig. 4).
3. Place belt into idler assembly with back side of belt toward idler pulley (Fig. 4).
4. Install bolt (3/8" x 3-3/4") into spring disk washer, belt guide plate, long bracket spacer and hole in idler bracket. Install nut onto bolt (Fig. 4).
5. Tighten both bolts (Fig. 4).

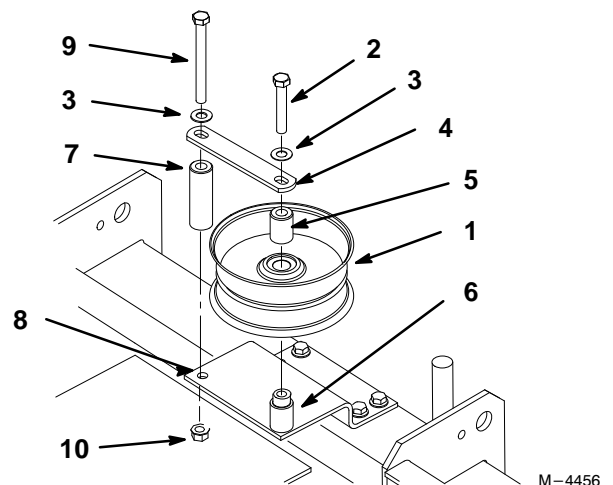


Figure 4

- | | |
|-------------------------|--------------------------|
| 1. Pulley | 6. Mounting Stud |
| 2. Bolt (3/8" x 2-1/4") | 7. Long Bracket Spacer |
| 3. Spring Disk Washer | 8. Hole in Idler Bracket |
| 4. Belt Guide Plate | 9. Bolt (3/8" x 3-3/4") |
| 5. Short Spacer | 10. Nut |

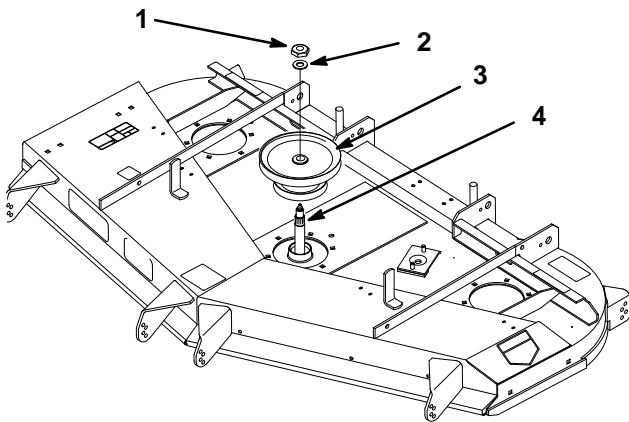
Installing Pulleys and Deck Belt

Note: Clean area around pulley before removing pulley assembly. Hold spindle up from underneath deck. It can fall when nut and washer are removed.

1. Remove nut and washer on top of center spindle (Fig. 5). Save the nut and washer.
2. Remove existing pulley assembly (Fig. 5).
3. Install new pulley assembly. Install it so the large pulley is on top (Fig. 5).
4. Reinstall washer and nut (Fig. 5).

IMPORTANT: Nut must be torqued to 115 ft-lbs.

5. Grease spindle to fill bearings with grease.
6. Place existing deck belt onto new pulley assembly. Route belt onto outer pulleys and idler pulley.
7. Adjust deck belt idler.



M-4452

Figure 5

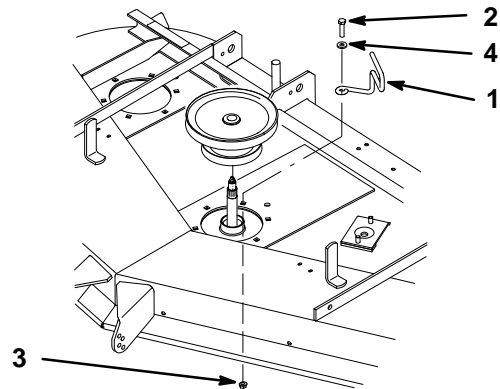
- | | |
|-----------|--------------------|
| 1. Nut | 3. Pulley Assembly |
| 2. Washer | 4. Spindle |

Install Belt Guide

1. Remove existing carriage bolt and nut (Fig. 6)

IMPORTANT: Remove only this specific bolt to install belt guide (Fig. 6).

2. Install new bolt, washer, nut and belt guide (Fig. 6).
3. Adjust belt guide. Refer to Adjusting Belt Guide section on page 7.



M-4453

Figure 6

- | | |
|---------------|-----------|
| 1. Belt guide | 3. Nut |
| 2. New Bolt | 4. Washer |

Installing Deck

1. Adjust push arms. Loosen jam nut and rotate ball joint counterclockwise, one turn at a time. Adjust each side the same amount. Adjust the distance of push arms to 15-5/16 (389mm) (Fig. 12).
2. Install pins into the deck and push arms.
3. Install the nut and bolt to secure pin to the push arm and deck.
4. Install the four bolts at the bottom of chains that attached to deck.
5. Grease the push arm.

Mower Leveling

When finished installing the deck, the deck must be leveled (see Operator's Manual for instructions).

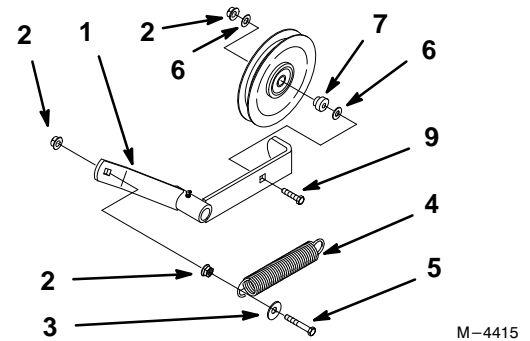
Removing Old Drive Belt Idler Arm

1. Remove the spring from the old idler arm (Old idler arm not shown) (Fig. 8).
2. Remove the old idler arm from the machine frame. Save parts for installing new idler arm (Old idler arm not shown) (Fig. 8).
3. Remove the spring and hardware from the machine frame. Discard old washer (Fig. 8).
4. Remove the pulley, bushing, and hardware from idler arm (Old idler arm not shown) (Fig. 7).

Installing New Drive Belt Idler Arm

1. Route new belt onto the rear idler pulley. Install pulley and belt to new rear idler arm using existing hardware (Fig. 8).
2. Install spring to rear idler arm. Use existing hardware and new flat washer included in kit. (Fig. 7).

Note: New flat washer must be installed between spring and head of bolt.



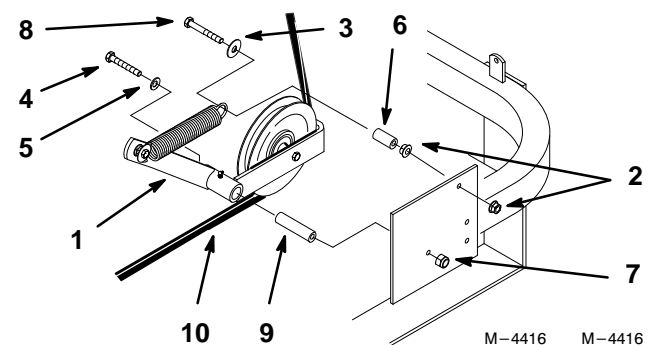
M-4415

Figure 7

- | | |
|----------------------------|----------------------------|
| 1. Idler Arm | 6. Flat Washer |
| 2. Lock Nut | 7. Bushing |
| 3. New Flat Washer | 8. Idler Pulley |
| 4. Spring | 9. Bolt (3/8"-16 x 1-3/4") |
| 5. Bolt (3/8"-16 x 2-1/4") | |

3. Install new rear idler arm to machine frame. Use existing hardware to attach it (Fig. 8).
4. Install spring to machine frame. Use existing hardware and new flat washer included in kit. (Fig. 8).

Note: New flat washer must be installed between spring and head of bolt. The spring must be installed between new flat washer and spacer (Fig. 8).



M-4416 M-4416

Figure 8

- | | |
|----------------------------|----------------------------|
| 1. Rear Idler Arm | 6. Spacer |
| 2. Lock Nut | 7. Nylon Locknut |
| 3. New Flat Washer | 8. Bolt (3/8"-16 x 2-1/4") |
| 4. Bolt (3/8"-16 x 3-1/2") | 9. Bushing |
| 5. Flat Washer | 10. Drive Belt (Installed) |

Installing Drive Belt

1. Place new drive belt over clutch, around rear idler pulley, installed into rear idler arm assembly, installed into front idler pulley assembly and onto mower top center pulley.

IMPORTANT: Check the amount of twist in belt between pulleys. Make sure it is only what is specified in figure 9.

2. Install clutch retaining strap and plug clutch terminal into main wire harness (Fig. 9).

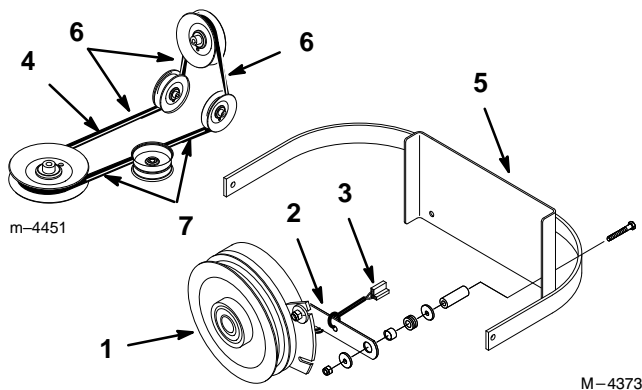


Figure 9

- | | |
|---------------------------|--------------------|
| 1. Clutch | 5. Machine Frame |
| 2. Clutch retaining strap | 6. 1/4" Belt Twist |
| 3. Clutch Terminal | 7. 1/8" Belt Twist |
| 4. Drive belt | |

3. Check belt tension. The center bolt of spring loaded idler must be between the two alignment holes in left support plate (Fig 10).

Note: Check position of center bolt in Low Height of Cut. The center bolt must be at or below the top alignment hole. Check position of center bolt in a High Height of Cut. The center bolt must be at or above the lower adjustment hole (Fig 10).

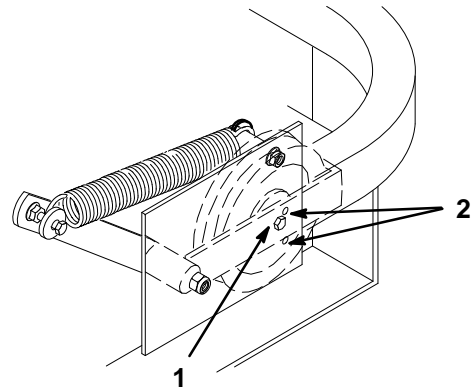


Figure 10

- | | |
|-------------------------------------|-------------------|
| 1. Center bolt, spring loaded idler | 2. Alignment hole |
|-------------------------------------|-------------------|

4. If adjustment is required, loosen the fixed idler on right support plate and move up or down in adjustment slot. To relieve belt tension lift up on spring loaded idler (Fig. 11).

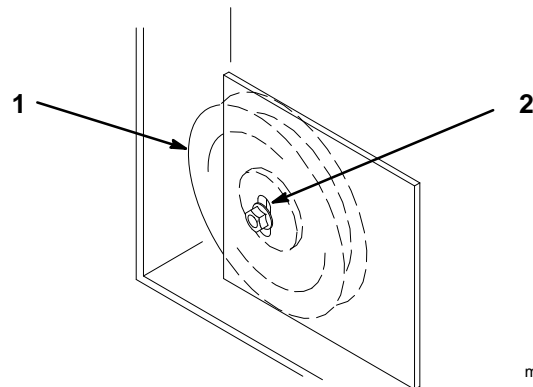


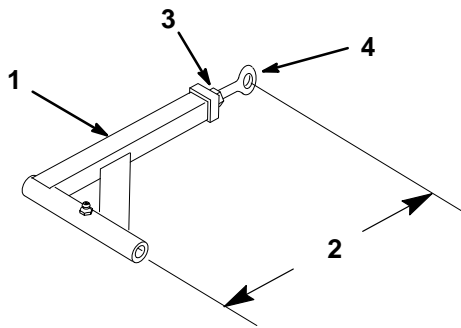
Figure 11

- | | |
|----------------|--------------------|
| 1. Fixed Idler | 2. Adjustment slot |
|----------------|--------------------|

5. Check belt tension again. The center bolt of spring loaded idler must be between the two alignment holes in left support plate (Fig 10). Adjust, if necessary, and tighten all hardware securely.
6. If the fixed idler contacts the end of the adjustment slot and more belt tension is required, a small change in the length of the push arms can be made (Fig. 12).

- To adjust push arms, remove drive belt, loosen jam nut and rotate ball joint counterclockwise, one turn at a time. Adjust each side the same amount (Fig. 12).

Note: Increase tension by lengthening the push arms and decrease tension by shortening push arms.



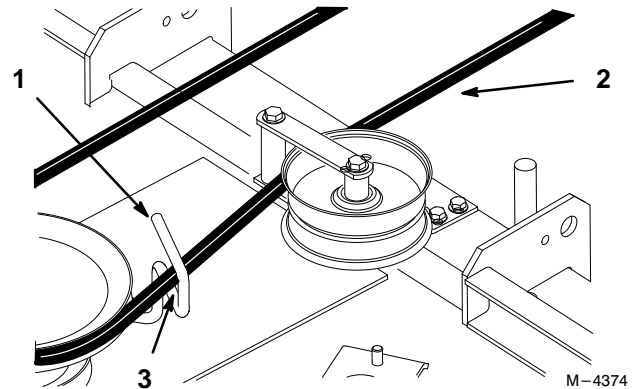
m-3740

Figure 12

- | | |
|------------------------------|---------------|
| 1. Push arm | 3. Jam nut |
| 2. 15-5/16" (389 mm) nominal | 4. Ball joint |

Adjusting Belt Guide

- Loosen belt guide (Fig. 13).
- Rotate the belt guide, so it is 1/8"-1/4" (3-7 mm) away from the vertical side of the PTO belt (Fig.13).



M-4374

Figure 13

- | | |
|---------------|-----------------------|
| 1. Belt guide | 3. 1/8"-1/4" (3-7 mm) |
| 2. Drive belt | |

- Install drive belt (Fig. 6).

