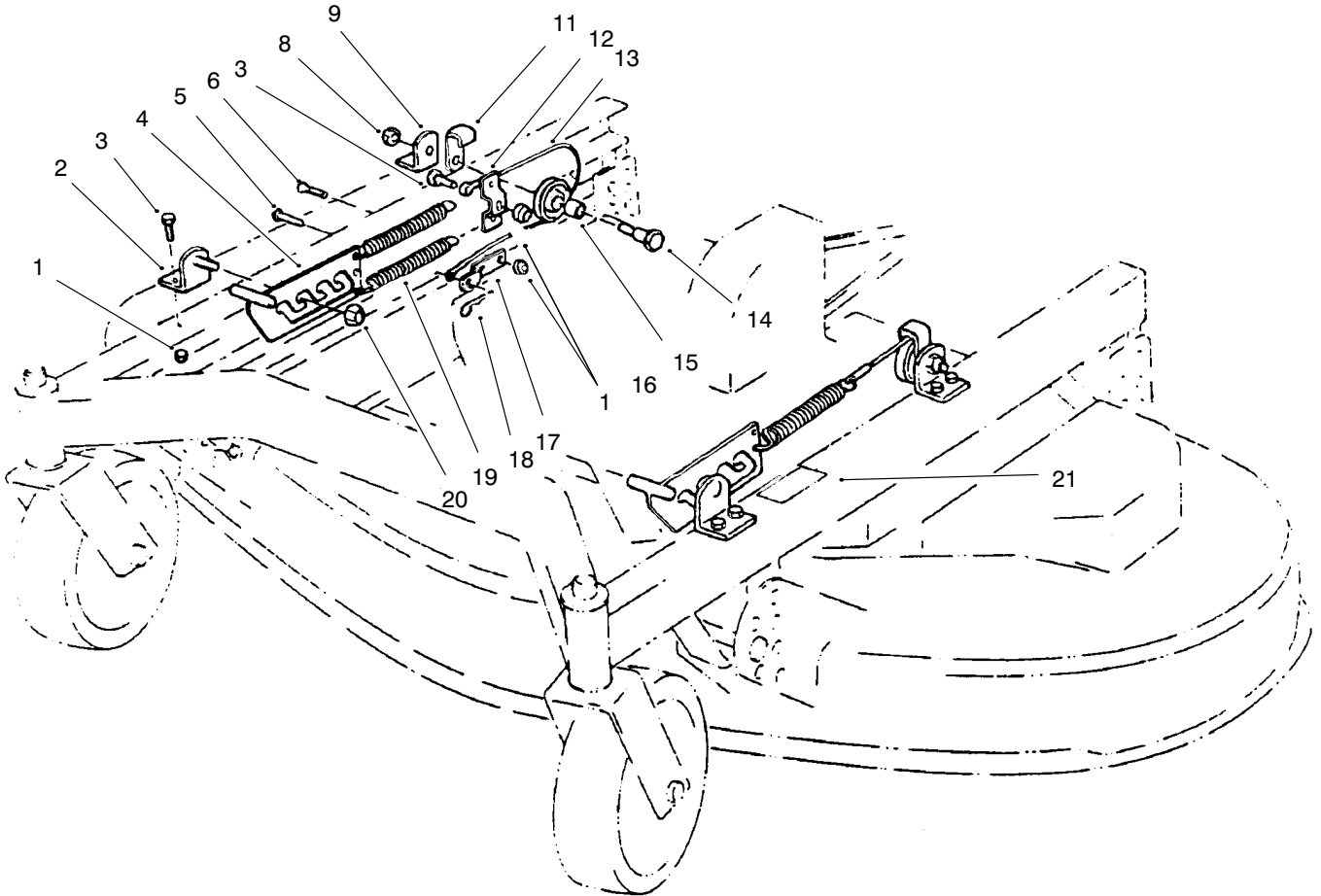




MODEL NO. 30759

PARTS  
CATALOG**FLOATATION KIT**

For Cutting Units Model No. 30544 &amp; 30752



T-0095

**FLOTATION ASSEMBLY**

Ref. No.	Part No.	Description	No. Used	Ref. No.	Part No.	Description	No. Used
1	3296-42	Nut - Lock	13	13	56-3350	Cable	2
2	56-3340	Bracket - Control	2	14	59-5400	Bolt - Shoulder	2
3	321-4	Screw - Hex. Hd.	9	15	259-159	Bushing	2
4	56-3330	Control - Tension	2	16	3-8775	Pulley Assembly (Incl. Ref. #15)	2
5	283-26	Pin - Clevis	2	17	56-3380	Bracket - Anchor	2
6	3258-11	Screw - Round Hd.	4	18	3290-307	Pin - Hair	2
8	3296-47	Nut - Lock	2	19	56-2770	Spring - Extension	3
9	56-3360	Bracket - Pulley	2	20	32128-13	Nut - Lock	2
11	56-2780	Retainer - Cable	2	21	55-4300	Decal - Warning	2
12	59-5390	Bracket - Spring	1				