



**Count on it.**

**Parts Catalog**

**FP-3000**

**Forward Plate Compactor**

Model No. 68026—Serial No. 404320000 and Up



# Ordering Replacement Parts

To order replacement parts, please supply the part number, the quantity, and the description of each part desired.

## Understanding Reference Numbers

Each identified part in an illustration has a reference number. The reference number for a part also appears in the parts list, along with other information about the part.

This catalog uses two special reference number formats, one to indicate parts in a service assembly and another to indicate the quantity of a given part in an illustration.

## Service Assembly Reference Numbers

Parts in service assemblies have reference numbers in the form a:b. The a represents the reference number of the entire service assembly and the b represents a sequential number unique to each part within the service assembly.

For example, a wheel assembly might be identified by reference number 6, the tire by 6:1, the valve by 6:2, and the wheel by 6:3. When you order the assembly identified by reference number 6, you receive all parts identified by reference numbers 6:1, 6:2, and 6:3. However, you may also order any part individually. Reference numbers of this type appear in illustration and in parts lists.

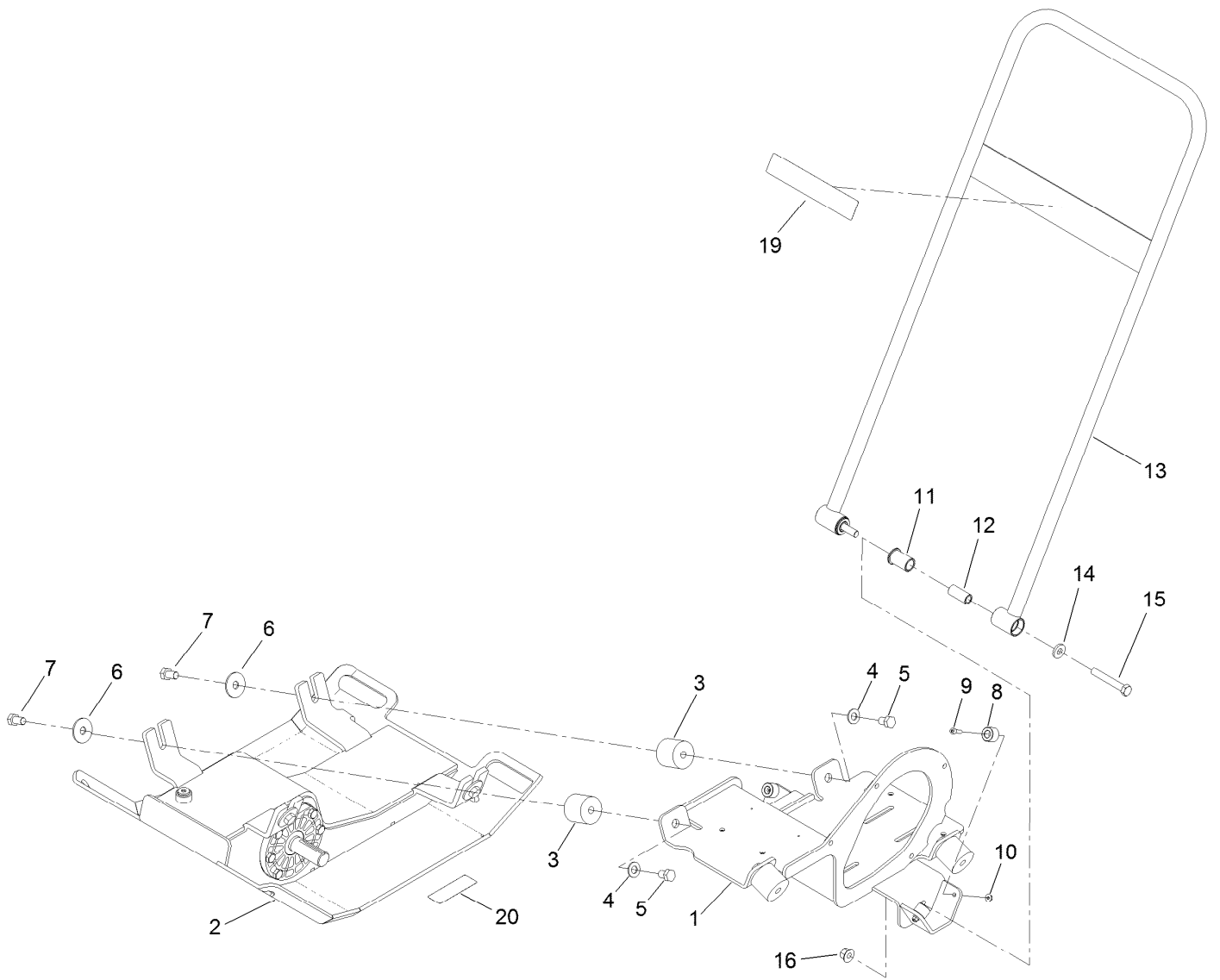
## Reference Numbers Indicating Quantity

In an illustration, if a reference number indicates more than one part, the reference number has the form nX y. The n represents the quantity of the part, the X is the multiplication symbol, and the y represents the reference number.

For example, in an illustration, the reference number 2X 37 means that two of the parts identified by reference number 37 are indicated.

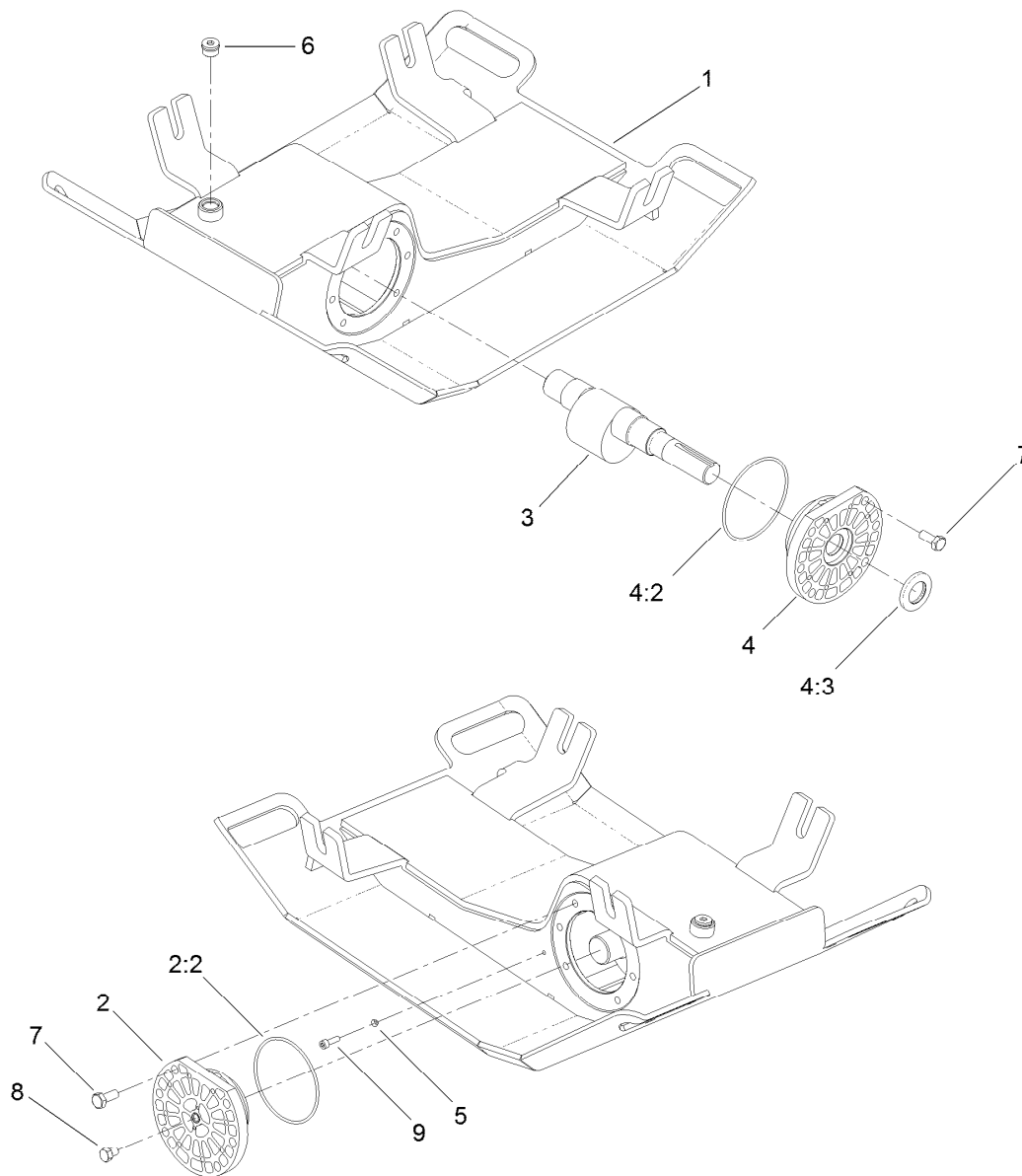
# Contents

Handle and Base Assembly .....	4
Base Assembly No. 125-6236 .....	5
Engine Assembly .....	6
Roll Cage and Water Tank Assembly .....	7



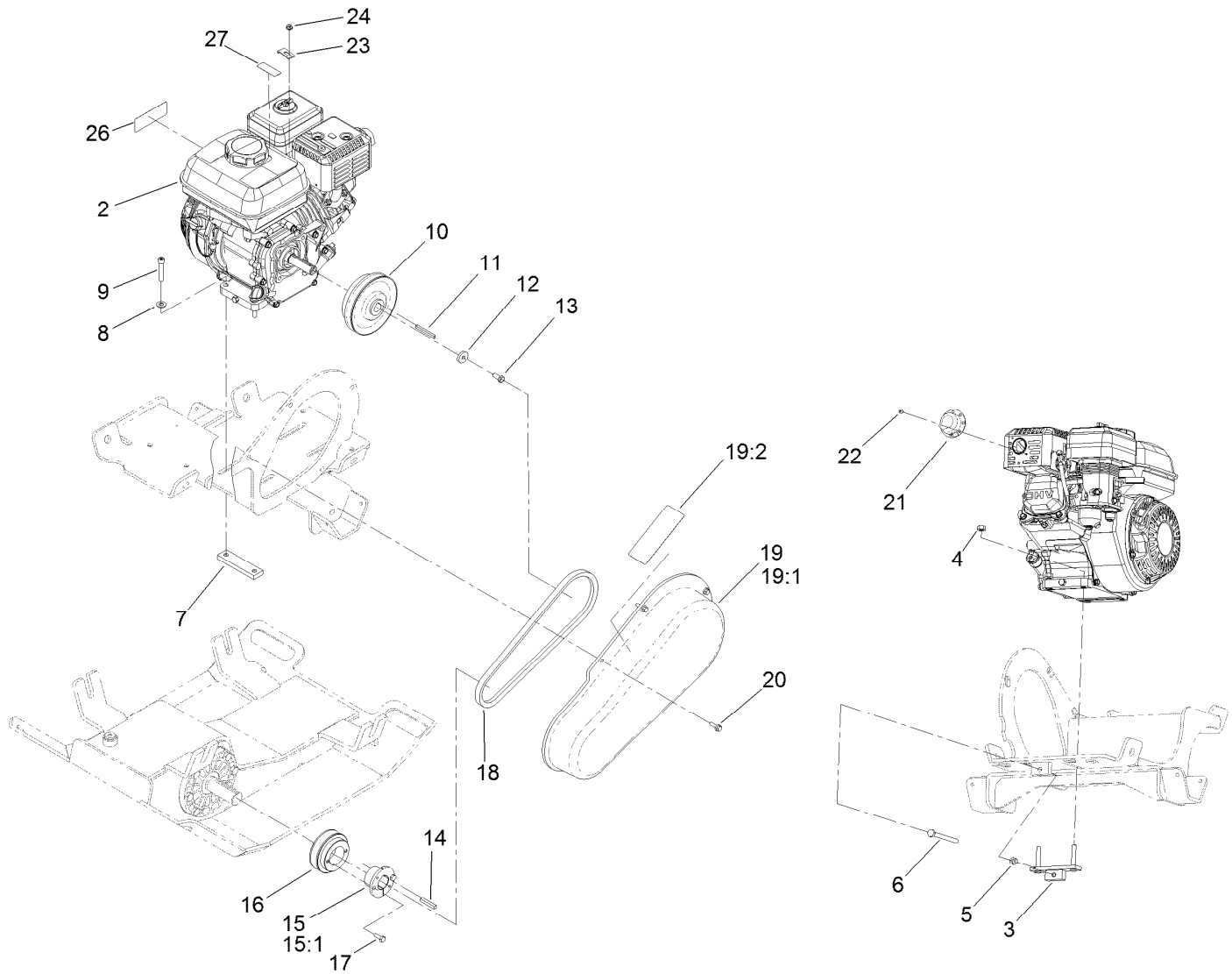
## Handle and Base Assembly

<i>Ref.</i>	<i>Part Number</i>	<i>Qty.</i>	<i>Description</i>	<i>Ref.</i>	<i>Part Number</i>	<i>Qty.</i>	<i>Description</i>
1	125-6249-03	1	Deck-Engine	10	33003-00	4	Nut-HF
2	125-6236	1	Base ASM	11	ST50263	2	Bushing-Handle, Main Plate
3	132-3869	4	Mount-Shock	12	ST50264	2	Spacer-Handle, Pivot
4	3256-26	4	Washer-Flat	13	ST50260-03	1	Handle-Main
5	325-2	4	Screw-HH	14	ST80891	2	Washer-Flat
6	86-1990	4	Washer-Thrust	15	33116-080	2	Screw-HH
7	325-3	4	Screw-HH	16	115-1115	2	Nut-Lock, HHF
8	ST50265	4	Spacer-Stop, Handle	19	125-4929	1	Decal
9	ST81213	4	Screw-HSH	20	117-4979	1	Decal-Warning



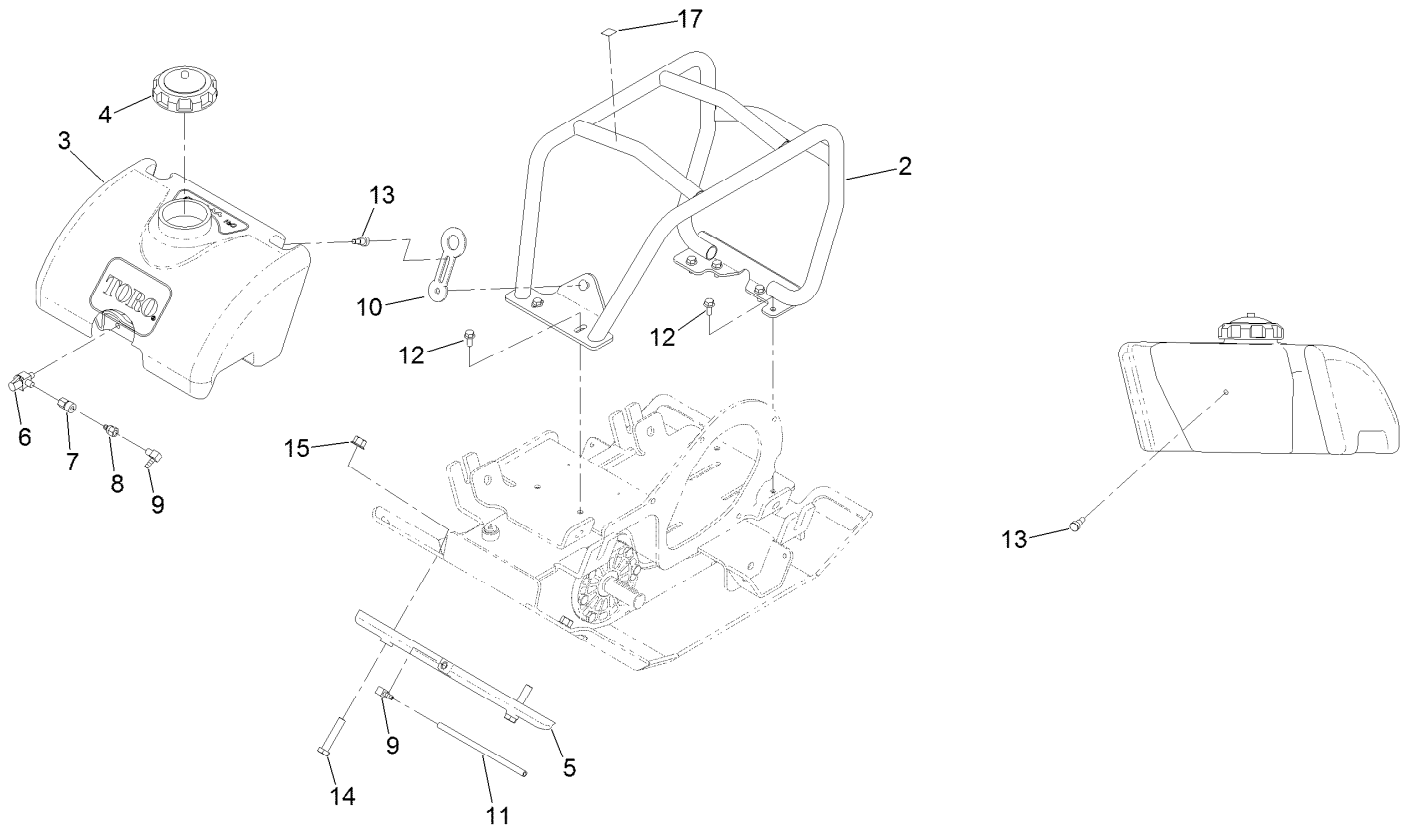
## Base Assembly No. 125-6236

Ref.	Part Number	Qty.	Description
1	127-2820	1	Base
2	ST22061	1	Plate Cap Bearing ASM
2:2	ST32033	1	O-Ring
3	ST50455	1	Shaft-Eccentric
4	ST22060	1	Plate Cap Bearing ASM
4:2	ST32033	1	O-Ring
4:3	ST32047	2	Seal-Shaft
5	ST81210	1	Washer-Sealing, Nyltite
6	ST47647	1	Fitting-HYD
7	43-0090	12	Screw-HH
8	ST80185	1	Screw-HH
9	ST81213	1	Screw-HSH



## Engine Assembly

<i>Ref.</i>	<i>Part Number</i>	<i>Qty.</i>	<i>Description</i>	<i>Ref.</i>	<i>Part Number</i>	<i>Qty.</i>	<i>Description</i>
2	125-4813	1	Engine-Honda, Gx160	15:1	3245-42	1	Screw-Set
3	ST50257	1	Bracket-Adjuster, Engine	16	ST32797	1	Sheave
4	33004-00	2	Nut-HF	17	321-4	2	Screw-HH
5	33014-00	1	Nut-Hex	18	ST50500	1	Belt-V
6	ST81191	1	Screw	19	127-2819	1	Guard-Belt
7	ST50506	1	Plate-Nut, Engine	19:1	125-4805	1	Guard-Belt
8	33094-00	2	Washer-Plain	19:2	125-4943	1	Decal-Warning, Plate
9	127-0517	2	Screw-HSH	20	33103-020	4	Screw-HHF
10	ST32347	1	Clutch, S-Plate	21	125-3866	1	Deflector
11	ST80611	1	Key-Square	22	125-0519	2	Screw-Self Tapping
12	ST39233	1	Washer	23	ST42790	1	Clip-Throttle
13	3235-6	1	Screw-HH	24	32128-17	1	Nut-Lock, Flange
14	67-7490	1	Key-Square	26	133-8062	1	Decal-Arrestor, Spark
15	138-3106	1	Bushing-Locking	27	130-8322	1	Decal-Warning, Ethanol



## Roll Cage and Water Tank Assembly

Ref.	Part Number	Qty.	Description
2	ST50215-03	1	Cage-Roll
3	125-4810	1	Tank-Water
4	ST47241	1	Cap-Plastic
5	125-8217	1	Sprinkler
6	ST50497	1	Valve-Ball
7	ST50498	1	Fitting-Quick, Female
8	ST50499	1	Fitting-Quick, Female, Nipple
9	ST34486	2	Fitting-HYD, 90 DEG
10	ST47182	1	Latch-Rubber
11	125-8733	1	Hose-Water
12	33104-020	6	Screw-HHF
13	ST81130	1	Screw-HSBH
14	33116-060	2	Screw-HH
15	115-1115	2	Nut-Lock, HHF
17	93-9084	1	Decal-Point, Lift



**Count on it.**