



Count on it.

Parts Catalog

MMX-850E-S

Mortar Mixer

Model No. 60219—Serial No. 404320000 and Up



Ordering Replacement Parts

To order replacement parts, please supply the part number, the quantity, and the description of each part desired.

Understanding Reference Numbers

Each identified part in an illustration has a reference number. The reference number for a part also appears in the parts list, along with other information about the part.

This catalog uses two special reference number formats, one to indicate parts in a service assembly and another to indicate the quantity of a given part in an illustration.

Service Assembly Reference Numbers

Parts in service assemblies have reference numbers in the form a:b. The a represents the reference number of the entire service assembly and the b represents a sequential number unique to each part within the service assembly.

For example, a wheel assembly might be identified by reference number 6, the tire by 6:1, the valve by 6:2, and the wheel by 6:3. When you order the assembly identified by reference number 6, you receive all parts identified by reference numbers 6:1, 6:2, and 6:3. However, you may also order any part individually. Reference numbers of this type appear in illustration and in parts lists.

Reference Numbers Indicating Quantity

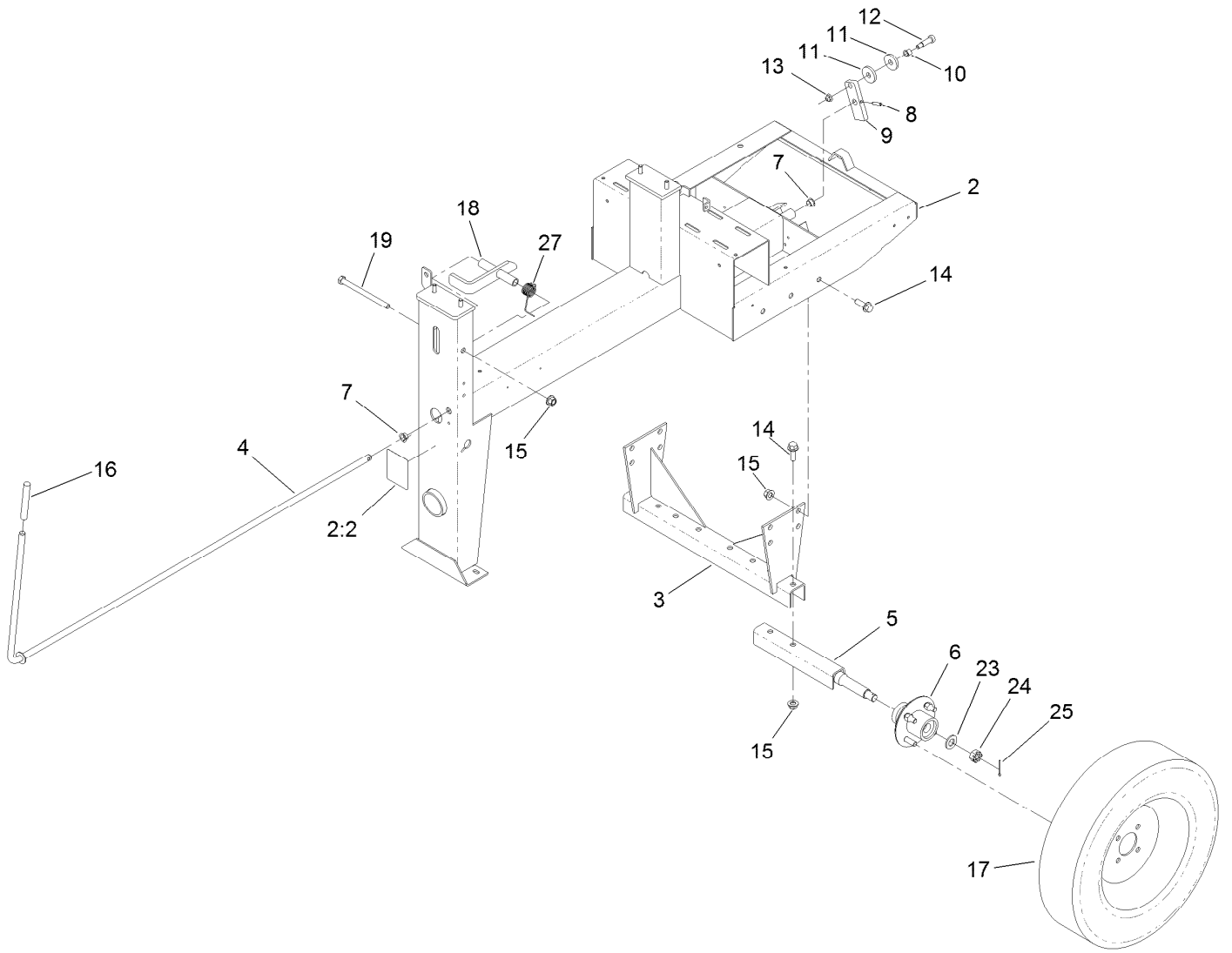
In an illustration, if a reference number indicates more than one part, the reference number has the form nX y. The n represents the quantity of the part, the X is the multiplication symbol, and the y represents the reference number.

For example, in an illustration, the reference number 2X 37 means that two of the parts identified by reference number 37 are indicated.

Contents

Frame and Axle Assembly	4
Hub Assembly No. 125-8171	6
Drum Assembly	8
Motor Assembly	10
Pinion Assembly No. 131-5704	12
Idler Assembly No. ST21300	14
Cowl Assembly	16
Attachments and Accessories	18

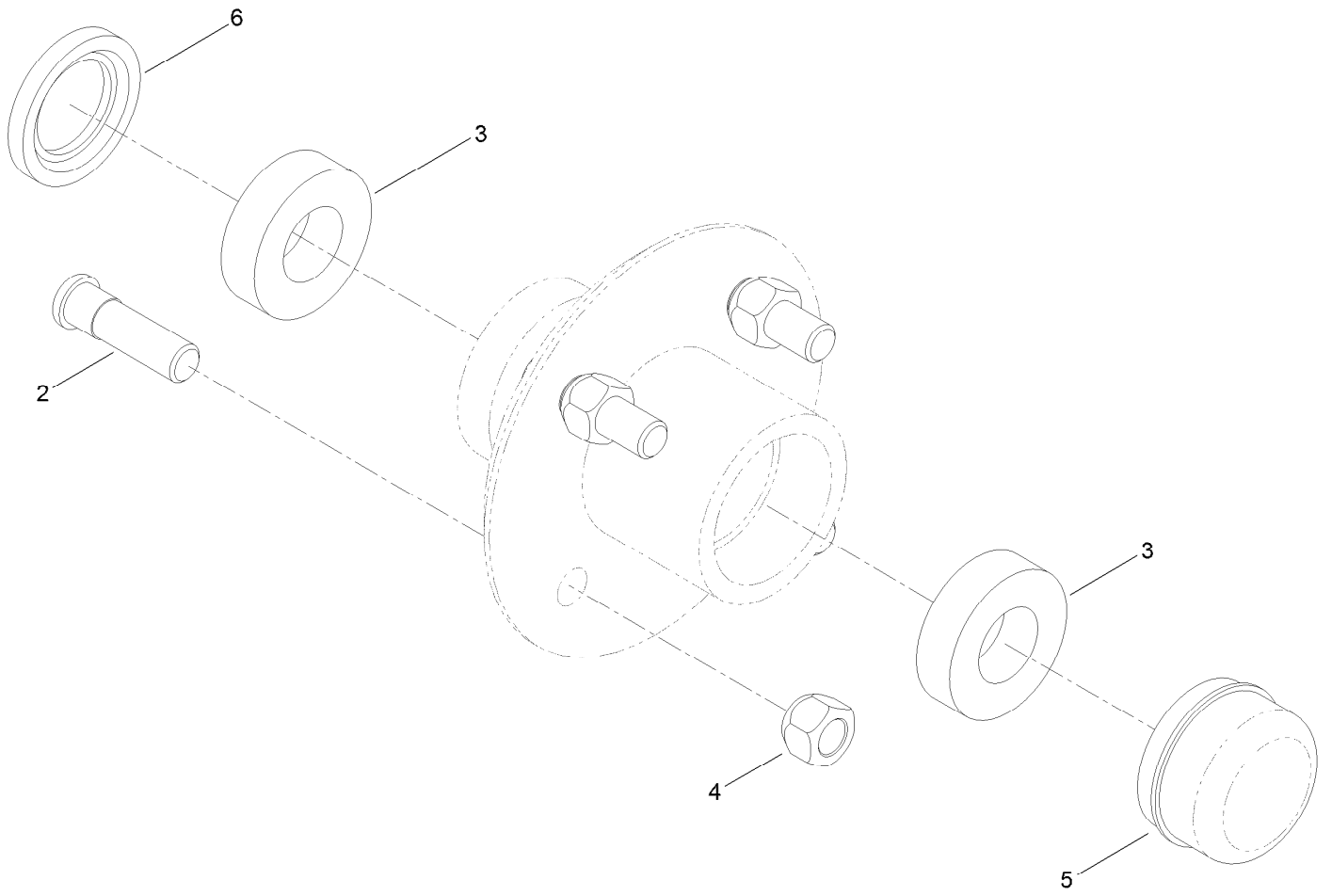
Frame and Axle Assembly



Frame and Axle Assembly (continued)

<i>Ref.</i>	<i>Part Number</i>	<i>Qty.</i>	<i>Description</i>	<i>Ref.</i>	<i>Part Number</i>	<i>Qty.</i>	<i>Description</i>
2	131-7533	1	Frame ASM	13	104-8301	1	Nut-HF, NI
2:2	125-8216	1	Decal-Safety Chain, Towing	14	100-6116	8	Screw-HHF
3	125-8219-03	1	Support-Axle	15	99-5107	9	Nut-Lock
4	131-5253-03	1	Lever-Clutch	16	ST34687	1	Grip-Handle
5	ST22512-03	2	Axle-Half	17	ST32307	2	Tire And Rim ASM
6	125-8171	2	Hub ASM	18	132-7154-03	1	Latch-Drum
7	ST32116	2	Bushing-Flange	19	325-33	1	Screw-HH
8	32121-69	1	Pin-Spring	23	3256-28	2	Washer-Flat
9	ST39446	1	Link-Clutch	24	ST80054	2	Nut
10	ST32099	1	Bushing-Flange	25	3272-13	2	Pin-Cotter
11	ST26326	2	Washer-Flat	27	132-3852	1	Spring-Torsion
12	ST81153	1	Screw-HSBH				

Hub Assembly No. 125-8171

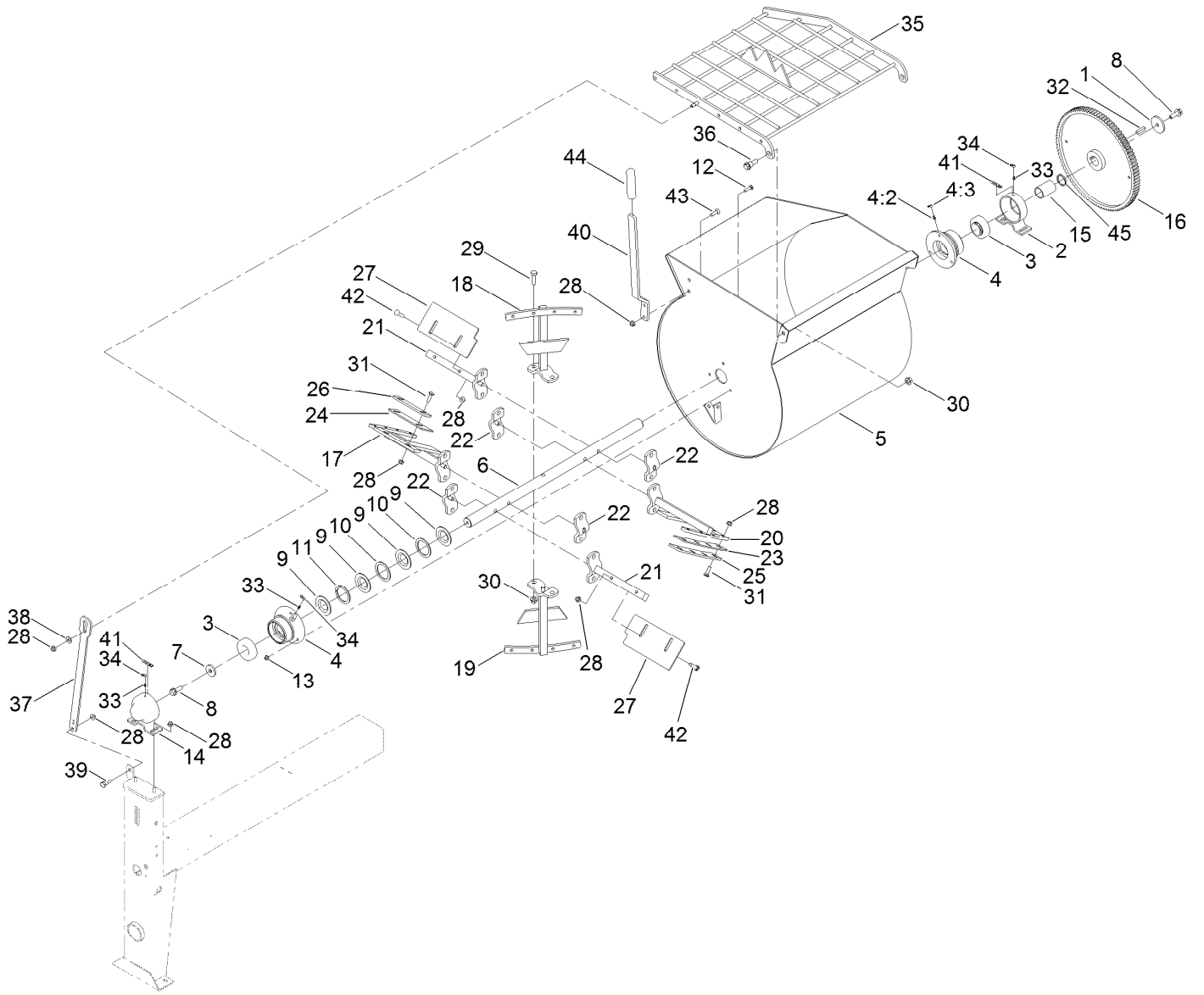


Hub Assembly No. 125-8171 (continued)

<i>Ref.</i>	<i>Part Number</i>	<i>Qty.</i>	<i>Description</i>
2	ST39190	4	Stud-Wheel
3	ST32233	2	Bearing-Roller
4	ST80045	4	Nut-Lug

<i>Ref.</i>	<i>Part Number</i>	<i>Qty.</i>	<i>Description</i>
5	ST34573	1	Cap-Dust
6	ST32052	1	Seal-Hub, Wheel

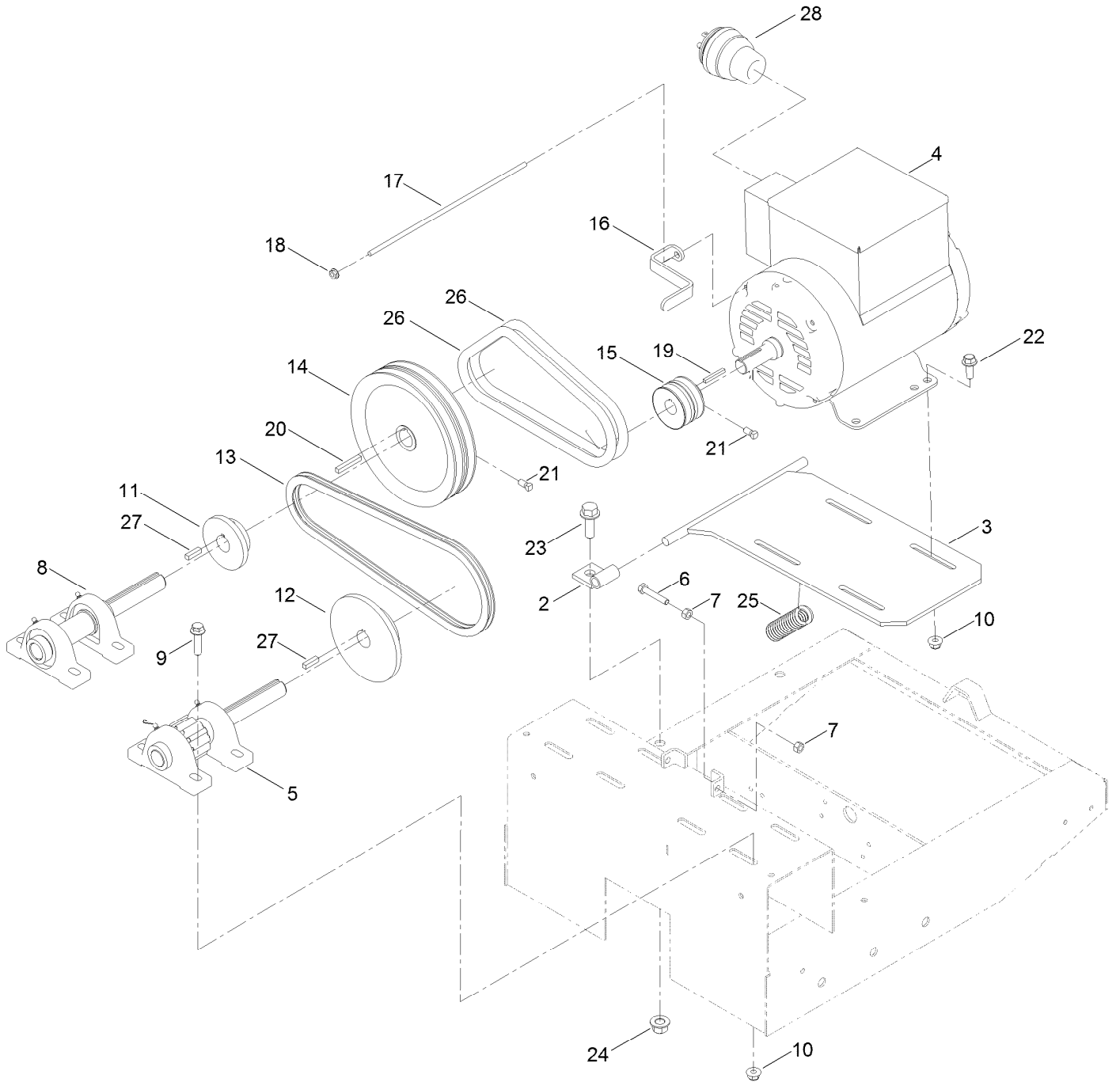
Drum Assembly



Drum Assembly (continued)

<i>Ref.</i>	<i>Part Number</i>	<i>Qty.</i>	<i>Description</i>	<i>Ref.</i>	<i>Part Number</i>	<i>Qty.</i>	<i>Description</i>
1	138-3162	1	Washer-Plain	23	131-5260	4	Paddle-Rubber, Top
2	ST24021-01	1	Trunnion	24	131-5261	2	Paddle-Rubber, Mixer End
3	ST32003	2	Bearing-Ball	25	131-5257-01	4	Bar-Backer, Top
4	132-4117	2	Kit-Housing, Bearing	26	131-5722-01	2	Bar-Backer, End
4:2	ST46042	1	Fitting-Grease	27	131-5717-01	2	Bar-Backer, Pusher End
4:3	ST47001	1	Cap-Plug	28	104-8301	32	Nut-HF, NI
5	130-2255-01	1	Drum	29	325-7	10	Screw-HH
6	130-2274-01	1	Shaft-Paddle	30	99-5107	12	Nut-Lock
7	ST26326	1	Washer-Flat	31	3231-25	20	Bolt-CARR
8	130-6482	2	Screw-HHF	32	ST81060	1	Key-Square
9	ST32324	8	Seal-Drum	33	ST46042	4	Fitting-Grease
10	ST24017	4	Washer-Flat	34	ST47001	4	Cap-Plug
11	ST25881	2	Washer-Split	35	130-2265-01	1	Guard-Drum, 85Mm
12	3230-3	6	Screw-CARR	36	116-0780	2	Screw-Shoulder, HHF
13	104-8300	6	Nut-HF, NI	37	131-5288-03	1	Arm-Lift, Grate
14	ST36574-01	1	Trunnion-Capped	38	80-6990	1	Washer-Hardened
15	137-0647	1	Spacer-Tubular	39	80-1300	1	Bolt-Shoulder
16	ST26933-03	1	Gear-94 Teeth	40	131-7527-01	1	Handle-Dump
17	130-2281-01	1	Paddle-Leading	41	125-8175	2	Decal-Grease
18	130-2275-01	1	Paddle-Mid	42	3231-29	4	Screw-CARR
19	130-2277-01	1	Paddle-Mid	43	3231-28	2	Screw-CARR
20	130-2283-01	1	Paddle-Trailing	44	104-9838	1	Grip-Foam
21	130-2282-01	2	Paddle-Pusher	45	138-3163	1	Spacer-Shaft, Drum
22	ST24107-01	4	Clamp				

Motor Assembly

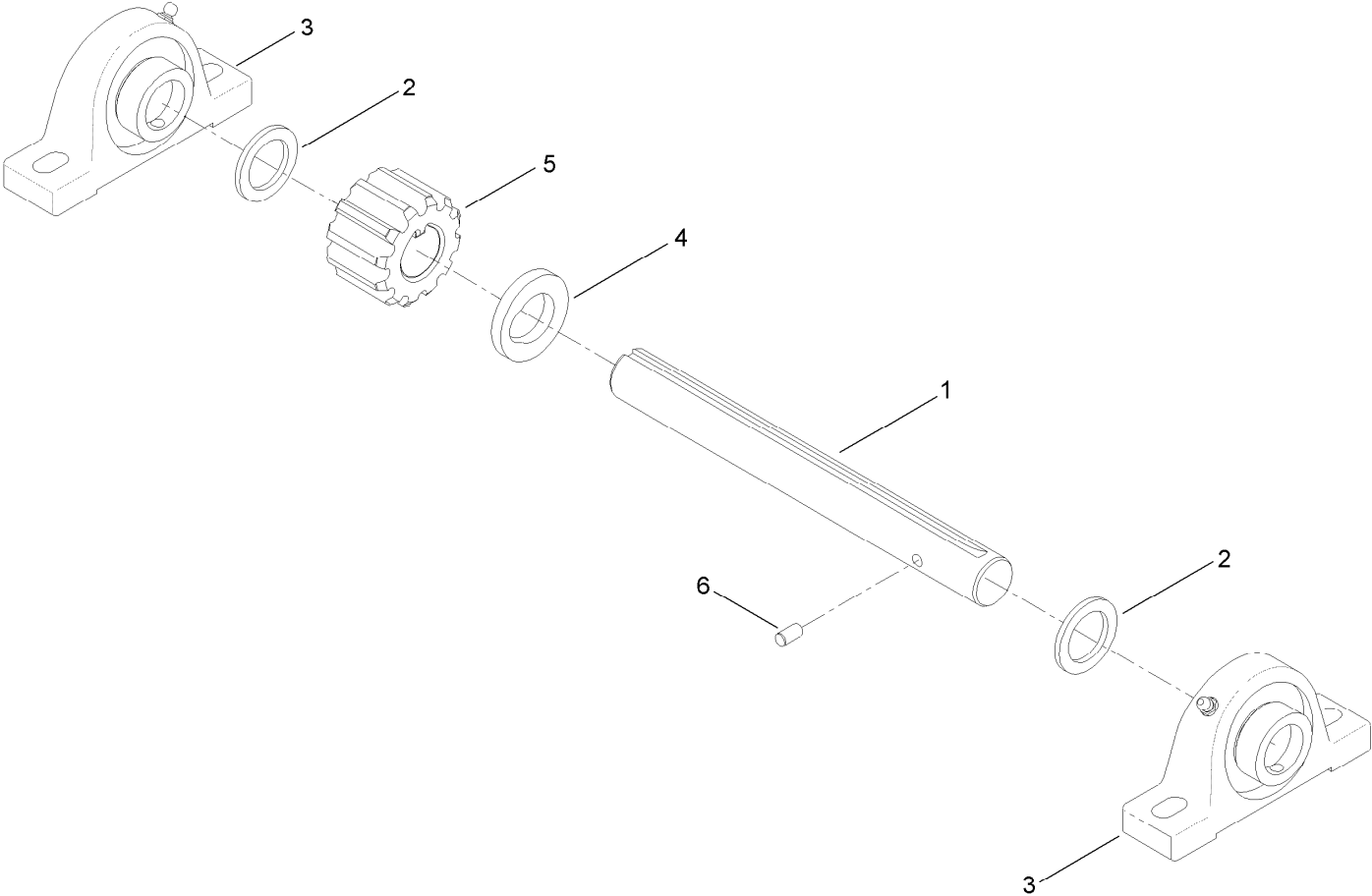


Motor Assembly (continued)

<i>Ref.</i>	<i>Part Number</i>	<i>Qty.</i>	<i>Description</i>	<i>Ref.</i>	<i>Part Number</i>	<i>Qty.</i>	<i>Description</i>
2	ST57786-03	2	Mount-Motor	15	ST38666	1	Sheave
3	ST39567-03	1	Base-Motor	16	ST42446-03	1	Guide-Belt
4	125-6255	1	Motor-Electric	17	ST28826	1	Rod-Threaded
5	131-5707	1	Pinion ASM	18	32128-14	1	Nut-HF
6	322-41	2	Screw-HH	19	ST37716	1	Key-Square
7	3217-6	4	Nut-Hex	20	7-0238	1	Key-Square
8	ST21300	1	Idler ASM	21	1-803022	2	Screw-Set
9	114-4681	8	Screw-HHF	22	3234-42	4	Screw-HHF
10	104-8301	12	Nut-HF, NI	23	100-6116	2	Screw-HHF
11	ST34126	1	Sprocket	24	99-5107	2	Nut-Lock
12	ST34127	1	Sprocket	25	ST34849	1	Spring
13	132-7159	1	Chain Set, 53 Pitch	26	ST34617	2	Belt-V
13:1	ST34103	1	Link-Offset, No. 50 ●	27	5-7280	2	Key
13:2	ST34104	1	Link-Connecting, No. 50 ●	28	127-1678	1	Plug
14	ST38450	1	Sheave				

● Not illustrated

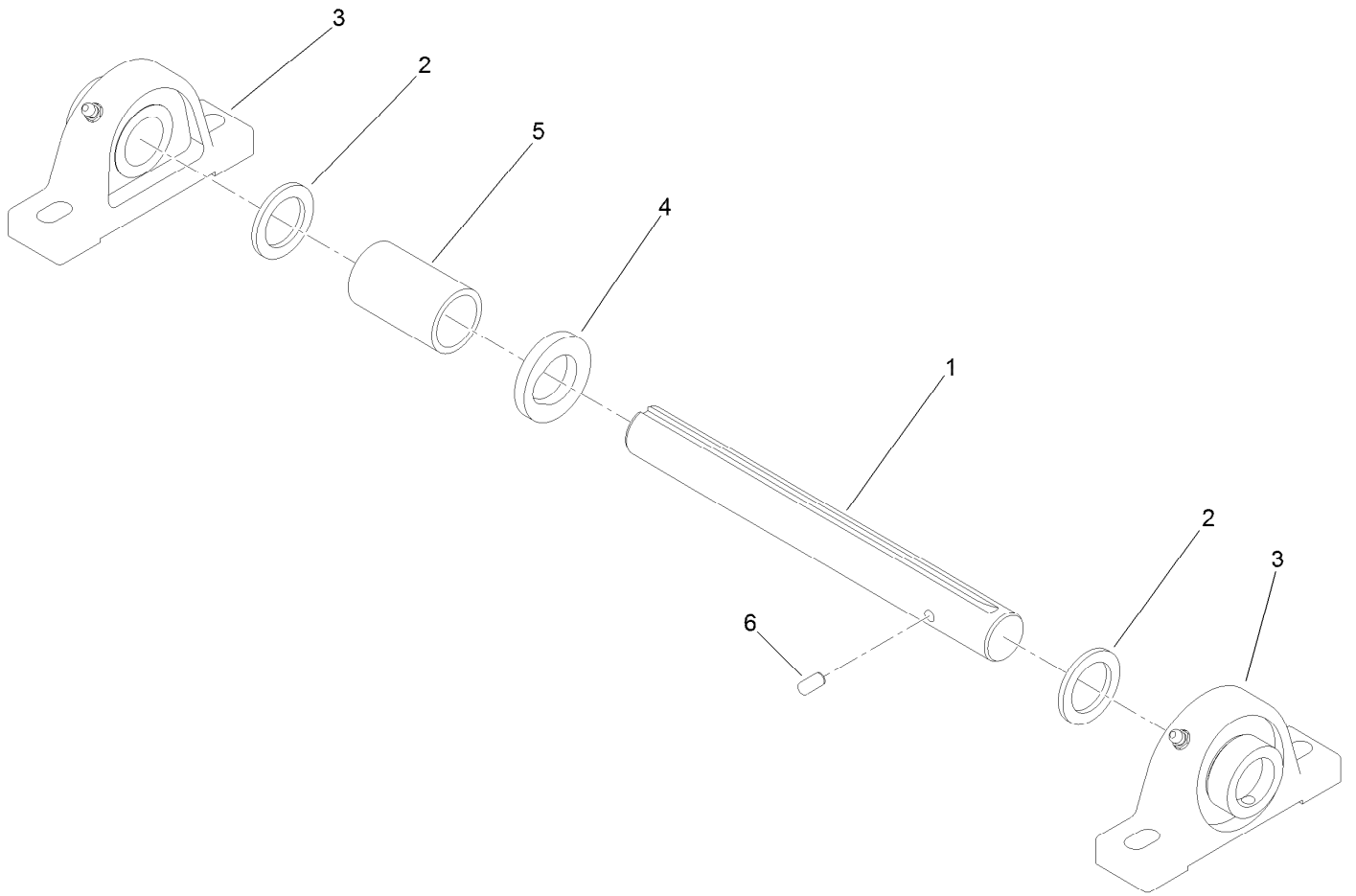
Pinion Assembly No. 131-5704



Pinion Assembly No. 131-5704 (continued)

<i>Ref.</i>	<i>Part Number</i>	<i>Qty.</i>	<i>Description</i>	<i>Ref.</i>	<i>Part Number</i>	<i>Qty.</i>	<i>Description</i>
1	131-5705	1	Shaft-Pinion	4	131-5706	1	Washer
2	3-8514	2	Washer-Thrust	5	ST57625	1	Gear-Spur
3	ST32208	2	Bearing-Block, Pillow	6	95-0715	1	Pin-Dowel

Idler Assembly No. ST21300

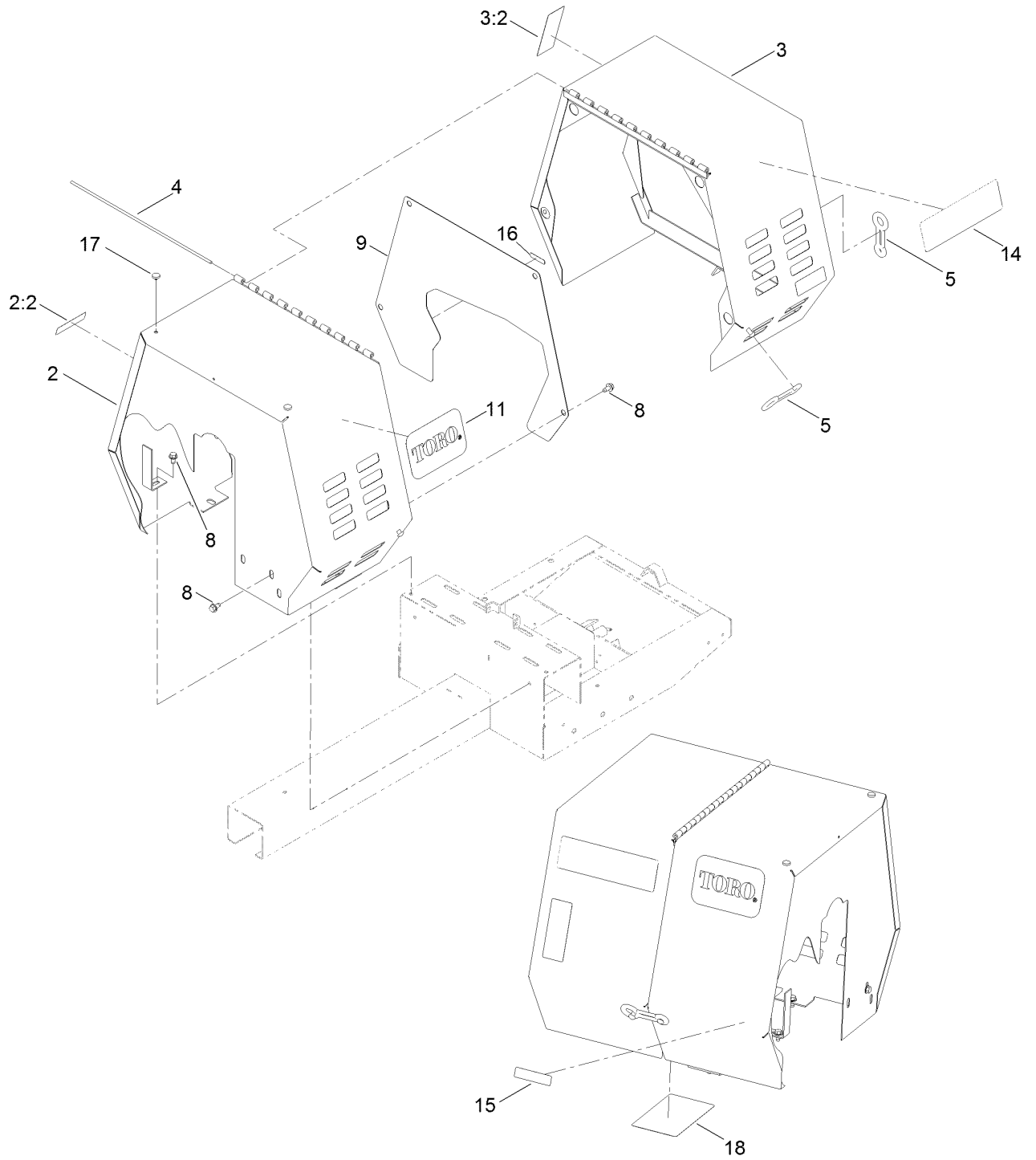


Idler Assembly No. ST21300 (continued)

<i>Ref.</i>	<i>Part Number</i>	<i>Qty.</i>	<i>Description</i>
1	131-5705	1	Shaft-Pinion
2	3-8514	2	Washer-Thrust
3	ST32208	2	Bearing-Block, Pillow

<i>Ref.</i>	<i>Part Number</i>	<i>Qty.</i>	<i>Description</i>
4	131-5706	1	Washer
5	ST42966-03	1	Spacer-Idler
6	95-0715	1	Pin-Dowel

Cowl Assembly



Cowl Assembly (continued)

<i>Ref.</i>	<i>Part Number</i>	<i>Qty.</i>	<i>Description</i>	<i>Ref.</i>	<i>Part Number</i>	<i>Qty.</i>	<i>Description</i>
2	127-1683	1	Stationary Cowl ASM	9	125-8166-03	1	Plate-Guard, Belt
2:2	133-8062	1	Decal-Arrestor, Spark	11	67-7320	2	Decal
3	127-1687	1	Movable Cowl ASM	14	131-5728	2	Decal
3:2	127-1652	1	Decal-Warning	15	133-8061	1	Decal-Warning
4	ST44368	1	Pin	16	125-8175	1	Decal-Grease
5	ST47182	3	Latch-Rubber	17	1-513658	2	Bumper
8	110-9380	10	Screw-HWH	18	132-3994	1	Decal-Service

Attachments and Accessories

For 60219 MMX-850E-S Mortar Mixer

Product Name	Model/Part
Rubber Blades Kit.....	132-7156
31in Forged Tow Pole Hitch	68056
31in Pintel Tow Pole Hitch	68058
31in Stamped Tow Pole Hitch	68060
Trailer Light Kit.....	68062

Notes:



Count on it.