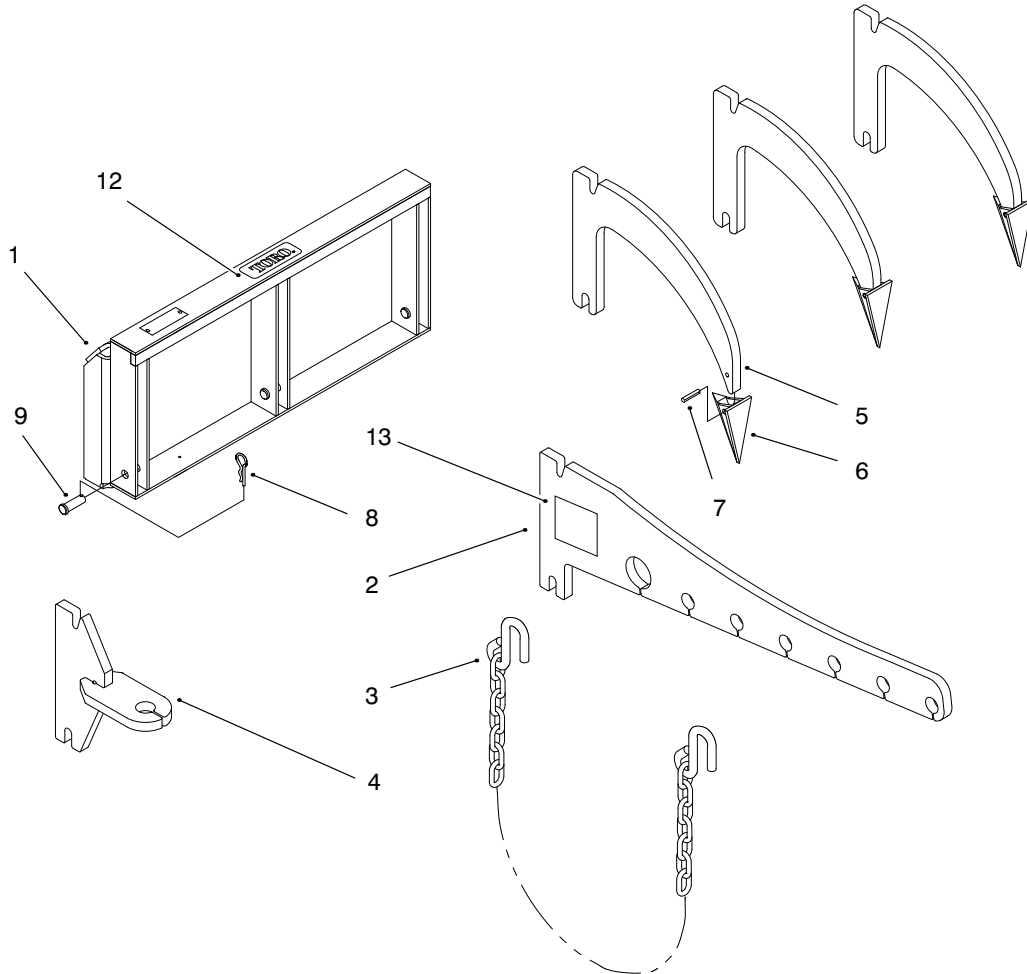




MODEL NO. 22423-890001 & UP

**PARTS
CATALOG**

MULTI-PURPOSE TOOL
for Toro® Sitework™ Systems



MULTI-PURPOSE TOOL ASSEMBLY

Ref. No.	Part No.	Description	No. Used
1	98-4887	Carrier - Tool	1
2	98-4889	Jib	1
3	99-1410	Chain - Lift	1
4	98-4897	Towbar Assembly	1
5	98-4892	Plate - Tyne	3
6	99-5147	Spear Point	3

Ref. No.	Part No.	Description	No. Used
7	32121-69	Pin - Spring	3
8	283-68	Pin	3
9	3290-355	Pin	3
12	98-4683	Decal - Toro	1
13	99-9940	Decal - Load Rating	1