



**Count on it.**

**Parts Catalog**

**VR-2650**

**Rammer Compactor**

Model No. 68034—Serial No. 404320000 and Up



# Ordering Replacement Parts

To order replacement parts, please supply the part number, the quantity, and the description of each part desired.

## Understanding Reference Numbers

Each identified part in an illustration has a reference number. The reference number for a part also appears in the parts list, along with other information about the part.

This catalog uses two special reference number formats, one to indicate parts in a service assembly and another to indicate the quantity of a given part in an illustration.

## Service Assembly Reference Numbers

Parts in service assemblies have reference numbers in the form a:b. The a represents the reference number of the entire service assembly and the b represents a sequential number unique to each part within the service assembly.

For example, a wheel assembly might be identified by reference number 6, the tire by 6:1, the valve by 6:2, and the wheel by 6:3. When you order the assembly identified by reference number 6, you receive all parts identified by reference numbers 6:1, 6:2, and 6:3. However, you may also order any part individually. Reference numbers of this type appear in illustration and in parts lists.

## Reference Numbers Indicating Quantity

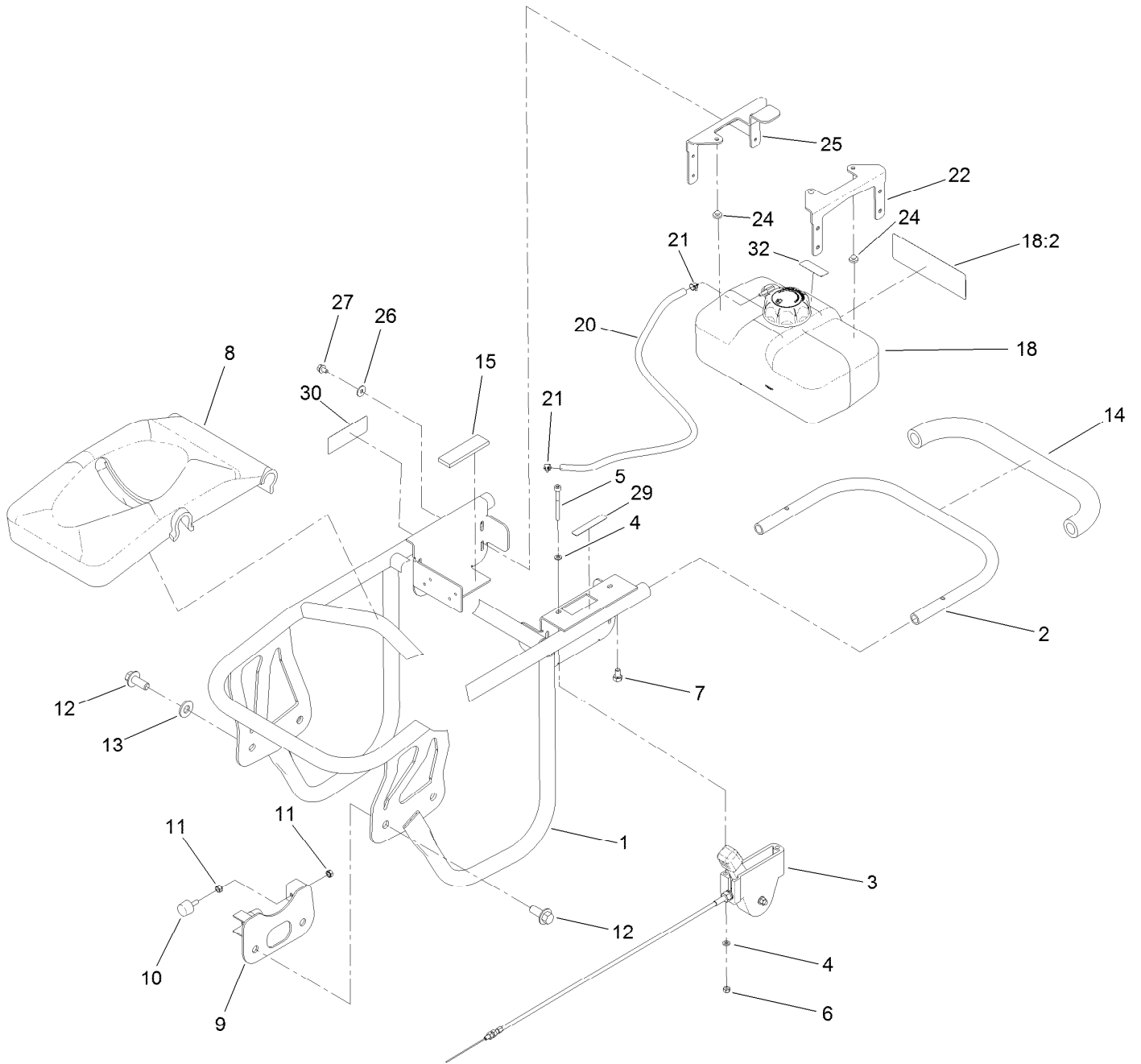
In an illustration, if a reference number indicates more than one part, the reference number has the form nX y. The n represents the quantity of the part, the X is the multiplication symbol, and the y represents the reference number.

For example, in an illustration, the reference number 2X 37 means that two of the parts identified by reference number 37 are indicated.

# Contents

Frame, Handle and Fuel Tank Assembly ..... 4  
Engine and Air Filter Assembly ..... 6  
Lower Unit Assembly ..... 8  
Rammer Assembly ..... 10

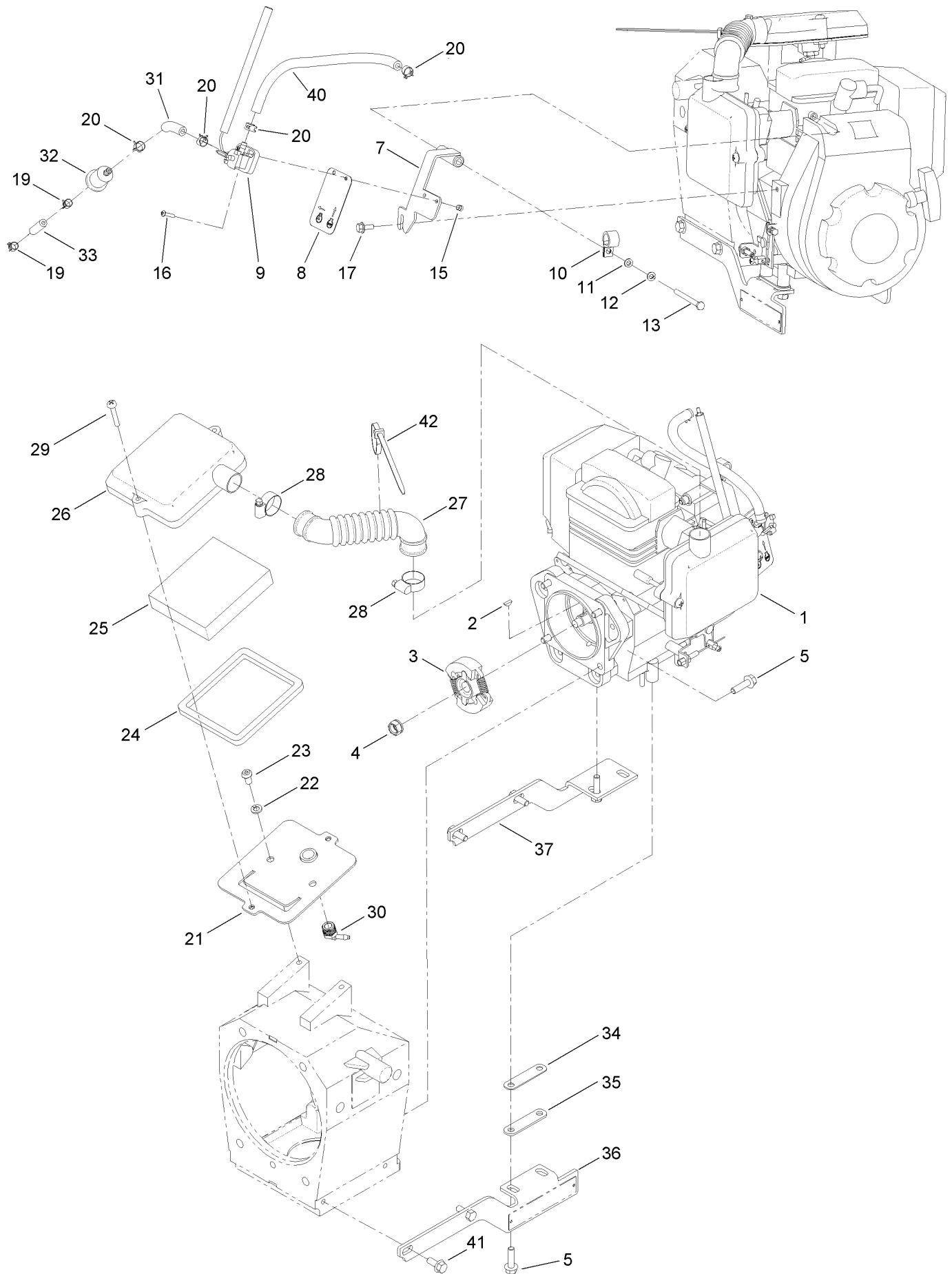
# Frame, Handle and Fuel Tank Assembly



## Frame, Handle and Fuel Tank Assembly (continued)

| <i>Ref.</i> | <i>Part Number</i> | <i>Qty.</i> | <i>Description</i>   | <i>Ref.</i> | <i>Part Number</i> | <i>Qty.</i> | <i>Description</i>     |
|-------------|--------------------|-------------|----------------------|-------------|--------------------|-------------|------------------------|
| 1           | 127-2830           | 1           | Handle ASM           | 15          | 125-6239           | 2           | Pad-Tank, Fuel         |
| 2           | 127-5596-03        | 1           | Handle-Rammer        | 18          | 127-7574           | 1           | 1 Gallon Fuel Tank ASM |
| 3           | 125-8669           | 1           | Throttle Lever ASM   | 18:2        | 125-8191           | 1           | Decal-Warning          |
| 4           | 33093-00           | 4           | Washer-Flat          | 20          | 120-5022           | 1           | Hose-Fuel              |
| 5           | ST80940            | 2           | Screw-HSH            | 21          | 2412-80            | 2           | Clamp-Hose             |
| 6           | 115-7373           | 2           | Nut-Lock             | 22          | ST66668-03         | 1           | Bracket-Top, Fuel Tank |
| 7           | ST80586            | 2           | Screw-HWH            | 24          | ST47292            | 4           | Bumper-Rubber          |
| 8           | 125-4803           | 1           | Cover-Engine         | 25          | 127-7556-03        | 1           | Guard-Fuel Tank, Top   |
| 9           | ST39424-03         | 1           | Stopper              | 26          | ST81181            | 8           | Washer-Flat            |
| 10          | ST39427            | 2           | Mount-Shock          | 27          | 81-1280            | 8           | Screw-HHF              |
| 11          | 98-5845            | 4           | Nut-Hex              | 29          | 125-8182           | 1           | Decal-Throttle         |
| 12          | 33106-020          | 4           | Screw-HHF            | 30          | 133-8062           | 1           | Decal-Arrestor, Spark  |
| 13          | 29-8910            | 2           | Washer               | 32          | 130-8322           | 1           | Decal-Warning, Ethanol |
| 14          | ST39483            | 1           | Grip-Cushion, Handle |             |                    |             |                        |

# Engine and Air Filter Assembly



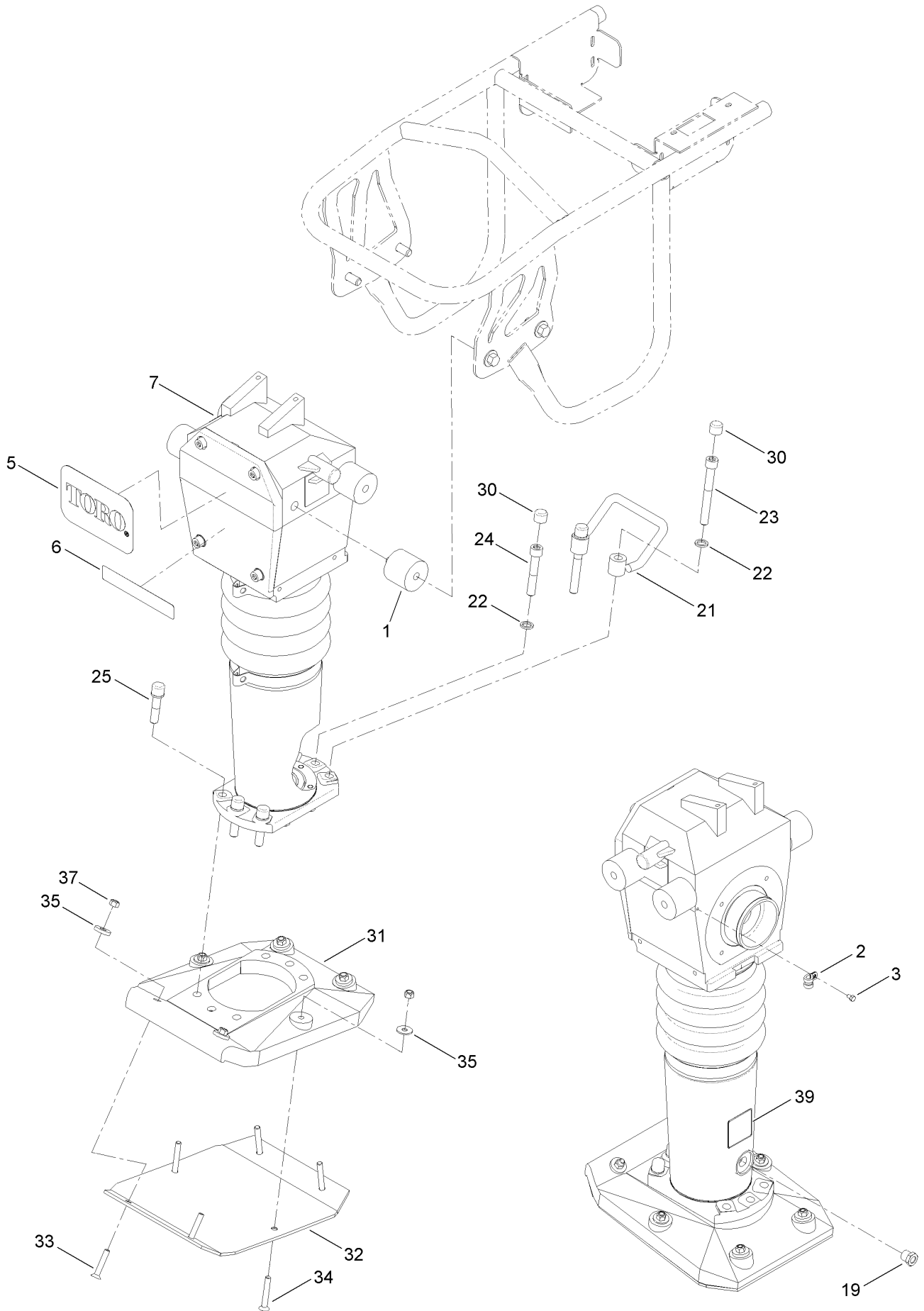
## Engine and Air Filter Assembly (continued)

| <i>Ref.</i> | <i>Part Number</i> | <i>Qty.</i> | <i>Description</i>      | <i>Ref.</i> | <i>Part Number</i> | <i>Qty.</i> | <i>Description</i>    |
|-------------|--------------------|-------------|-------------------------|-------------|--------------------|-------------|-----------------------|
| 1           |                    | 1           | Engine-Honda, Gx101 ●■  | 23          | ST81188            | 2           | Screw-HSBH            |
| 2           | ST32525            | 1           | Key-Woodruff            | 24          | ST32516            | 1           | Gasket-Prefilter      |
| 3           | ST30291            | 1           | Clutch-Friction         | 25          | ST32517            | 1           | Filter-Air, Prefilter |
| 4           | ST32524            | 1           | Nut-Hex Flange          | 26          | ST32518            | 1           | Cover-Air Filter      |
| 5           | 33104-030          | 8           | Screw-HHF               | 27          | ST32515            | 1           | Tube-Air              |
| 7           | 127-7548           | 1           | Bracket-Fuel Valve      | 28          | ST32519            | 2           | Clamp-Worm            |
| 8           | 125-4966           | 1           | Hang Tag-Run, Stop      | 29          | ST32526            | 2           | Screw-PPH             |
| 9           | ST58582            | 1           | Fuel Shut Off Valve ASM | 30          | 127-7537           | 1           | Fitting-90 DEG        |
| 10          | 2412-87            | 1           | Clamp-Cable             | 31          | 99-9415            | 1           | Hose-Fuel             |
| 11          | 33093-00           | 1           | Washer-Flat             | 32          | ST31231            | 1           | Filter-Fuel           |
| 12          | 43-5930            | 1           | Washer-Lock, Spring     | 33          | 119-8561           | 1           | Hose-Fuel             |
| 13          | ST81354            | 1           | Screw-HH                | 34          | ST50255-03         | 2           | Shim-Engine (16GA)    |
| 15          | 46-0430            | 2           | Nut-Lock                | 35          | ST50256-03         | 2           | Shim-Engine (11GA)    |
| 16          | 119-7444           | 2           | Screw-HSBH              | 36          | 127-1697-03        | 1           | Bracket-Support, LH   |
| 17          | 33113-016          | 1           | Screw-HH                | 37          | ST50195-03         | 1           | Bracket-Support, RH   |
| 19          | 2412-80            | 2           | Clamp-Hose              | 40          | 109-0297           | 1           | Hose-Fuel             |
| 20          | 2412-98            | 4           | Clamp-Hose              | 41          | 33104-020          | 4           | Screw-HHF             |
| 21          | ST50187-03         | 1           | Base-Prefilter          | 42          | 1-303335           | 1           | Tie-Plastic           |
| 22          | ST80812            | 2           | Washer-Lock             |             |                    |             |                       |

● Not serviced separately

■ Obtain parts from [www.honda-engines.com](http://www.honda-engines.com)

# Lower Unit Assembly



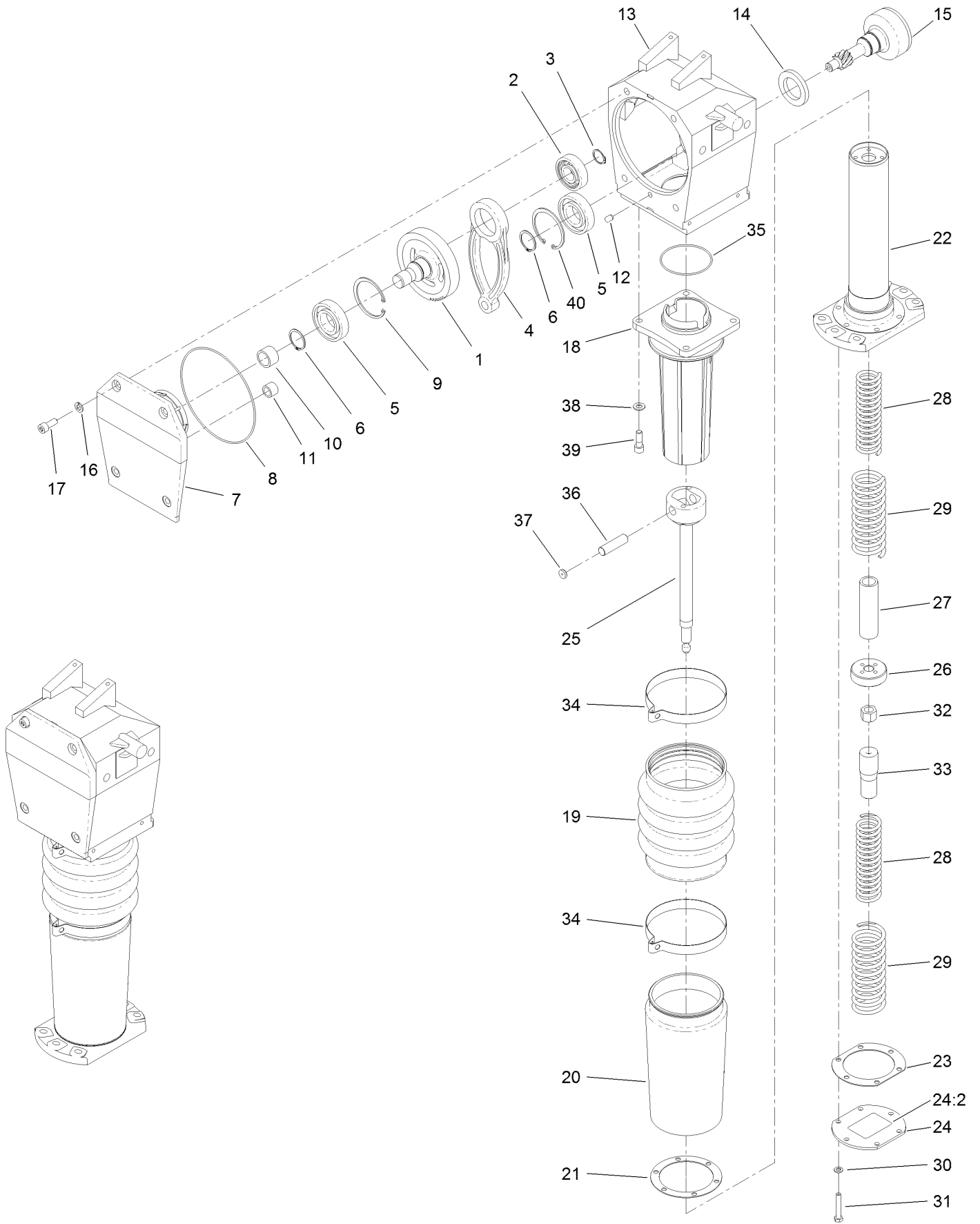


## Lower Unit Assembly (continued)

| <i>Ref.</i> | <i>Part Number</i> | <i>Qty.</i> | <i>Description</i> | <i>Ref.</i> | <i>Part Number</i> | <i>Qty.</i> | <i>Description</i>  |
|-------------|--------------------|-------------|--------------------|-------------|--------------------|-------------|---------------------|
| 1           | ST39425            | 4           | Mount-Shock        | 24          | ST80945            | 1           | Screw-HSH           |
| 2           | ST39509            | 1           | Clamp              | 25          | ST80822            | 3           | Screw-HSH           |
| 3           | ST81043            | 1           | Screw-HH           | 30          | ST80765            | 6           | Cap-Plastic         |
| 5           | 127-7590           | 1           | Decal              | 31          | ST39371            | 1           | Shoe-Plastic, Light |
| 6           | 127-7591           | 1           | Decal              | 32          | ST39400-03         | 1           | Plate-Shoe          |
| 7           |                    | 1           | Rammer ASM ●       | 33          | ST80949            | 2           | Screw               |
| 19          | ST34096            | 1           | Plug-Sight, Oil    | 34          | ST80948            | 4           | Screw-HSFH          |
| 21          | ST39405-03         | 1           | Grip-Lifting       | 35          | ST80813            | 6           | Washer-Flat         |
| 22          | ST81196            | 6           | Washer-Lock        | 37          | 33024-00           | 6           | Nut-Lock, NI        |
| 23          | ST80943            | 2           | Screw-HSH          | 39          | 127-7595           | 1           | Decal-Oil Level     |

● Not serviced separately

# Rammer Assembly



## Rammer Assembly (continued)

| <i>Ref.</i> | <i>Part Number</i> | <i>Qty.</i> | <i>Description</i>              | <i>Ref.</i> | <i>Part Number</i> | <i>Qty.</i> | <i>Description</i>        |
|-------------|--------------------|-------------|---------------------------------|-------------|--------------------|-------------|---------------------------|
| 1           | ST39379            | 1           | Gear-Helical                    | 22          | 125-8668           | 1           | Housing-Spring            |
| 2           | ST39429            | 1           | Bearing-Ball                    | 23          | ST39390            | 1           | Gasket-Cover, Spring      |
| 3           | ST39432            | 1           | Ring-External                   | 24          | 127-2831           | 1           | Bottom Spring Cover ASM   |
| 4           | ST50302            | 1           | Rod-Connecting                  | 24:2        | 125-8181           | 1           | Decal-Warning, Spring     |
| 5           | ST39428            | 2           | Bearing-Ball                    | 25          | ST39381            | 1           | Rod-Piston                |
| 6           | 32120-84           | 2           | Ring-Snap, External             | 26          | ST39389            | 1           | Puck-Piston               |
| 7           | ST50294            | 1           | Cover-Front                     | 27          | ST39384            | 1           | Snubber-Axial, Top        |
| 8           | ST39437            | 1           | O-Ring                          | 28          | ST39382            | 2           | Spring-Compression, Inner |
| 9           | ST50539            | 1           | Ring-Internal                   | 29          | ST39383            | 2           | Spring-Compression, Outer |
| 10          | ST39430            | 1           | Bearing-Needle                  | 30          | ST80812            | 6           | Washer-Lock               |
| 11          | ST39431            | 1           | Bearing-Needle                  | 31          | 33114-050          | 6           | Screw-HH                  |
| 12          | ST80543            | 1           | Pin                             | 32          | 33028-00           | 1           | Nut-Lock, NI              |
| 13          | ST50193            | 1           | Gearcase                        | 33          | ST39385            | 1           | Snubber-Axial, Lower      |
| 14          | ST39435            | 1           | Seal-Shaft                      | 34          | ST39439            | 2           | Clamp-Boot, Stomper       |
| 15          | ST50192            | 1           | Pinion                          | 35          | ST39438            | 1           | O-Ring                    |
| 16          | 42-9600            | 4           | Washer-Lock                     | 36          | ST39436            | 1           | Pin                       |
| 17          | ST80803            | 4           | Screw-HSH                       | 37          | ST39401            | 2           | Button-Pin, Captivator    |
| 18          | ST39374            | 1           | Guide-Tube                      | 38          | 33095-00           | 4           | Washer-Flat               |
| 19          | ST39372            | 1           | Boot-Awack                      | 39          | ST80872            | 4           | Screw-HSH                 |
| 20          | ST39377            | 1           | Cover-Housing, Spring           | 40          | ST39434            | 1           | Ring-Internal             |
| 21          | ST39399            | 1           | Gasket-Housing, Spring<br>Cover |             |                    |             |                           |



**Count on it.**