



Count on it.

Parts Catalog

PT-36

Power Trowel

Model No. 68048—Serial No. 404320000 and Up



Ordering Replacement Parts

To order replacement parts, please supply the part number, the quantity, and the description of each part desired.

Understanding Reference Numbers

Each identified part in an illustration has a reference number. The reference number for a part also appears in the parts list, along with other information about the part.

This catalog uses two special reference number formats, one to indicate parts in a service assembly and another to indicate the quantity of a given part in an illustration.

Service Assembly Reference Numbers

Parts in service assemblies have reference numbers in the form a:b. The a represents the reference number of the entire service assembly and the b represents a sequential number unique to each part within the service assembly.

For example, a wheel assembly might be identified by reference number 6, the tire by 6:1, the valve by 6:2, and the wheel by 6:3. When you order the assembly identified by reference number 6, you receive all parts identified by reference numbers 6:1, 6:2, and 6:3. However, you may also order any part individually. Reference numbers of this type appear in illustration and in parts lists.

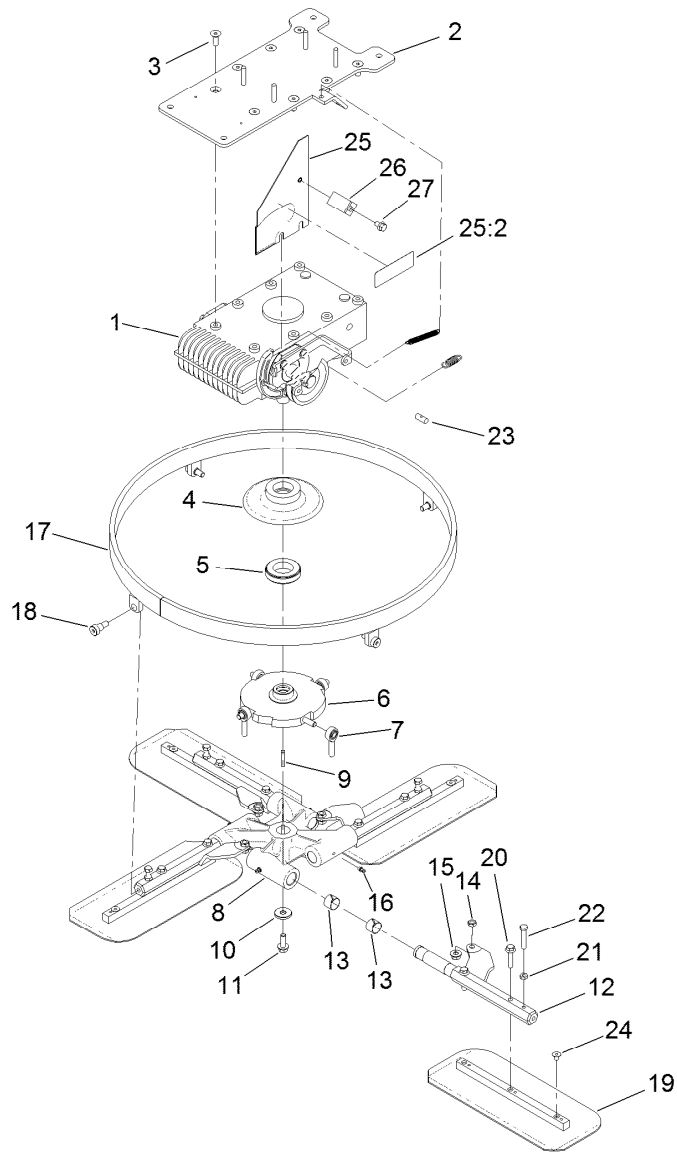
Reference Numbers Indicating Quantity

In an illustration, if a reference number indicates more than one part, the reference number has the form nX y. The n represents the quantity of the part, the X is the multiplication symbol, and the y represents the reference number.

For example, in an illustration, the reference number 2X 37 means that two of the parts identified by reference number 37 are indicated.

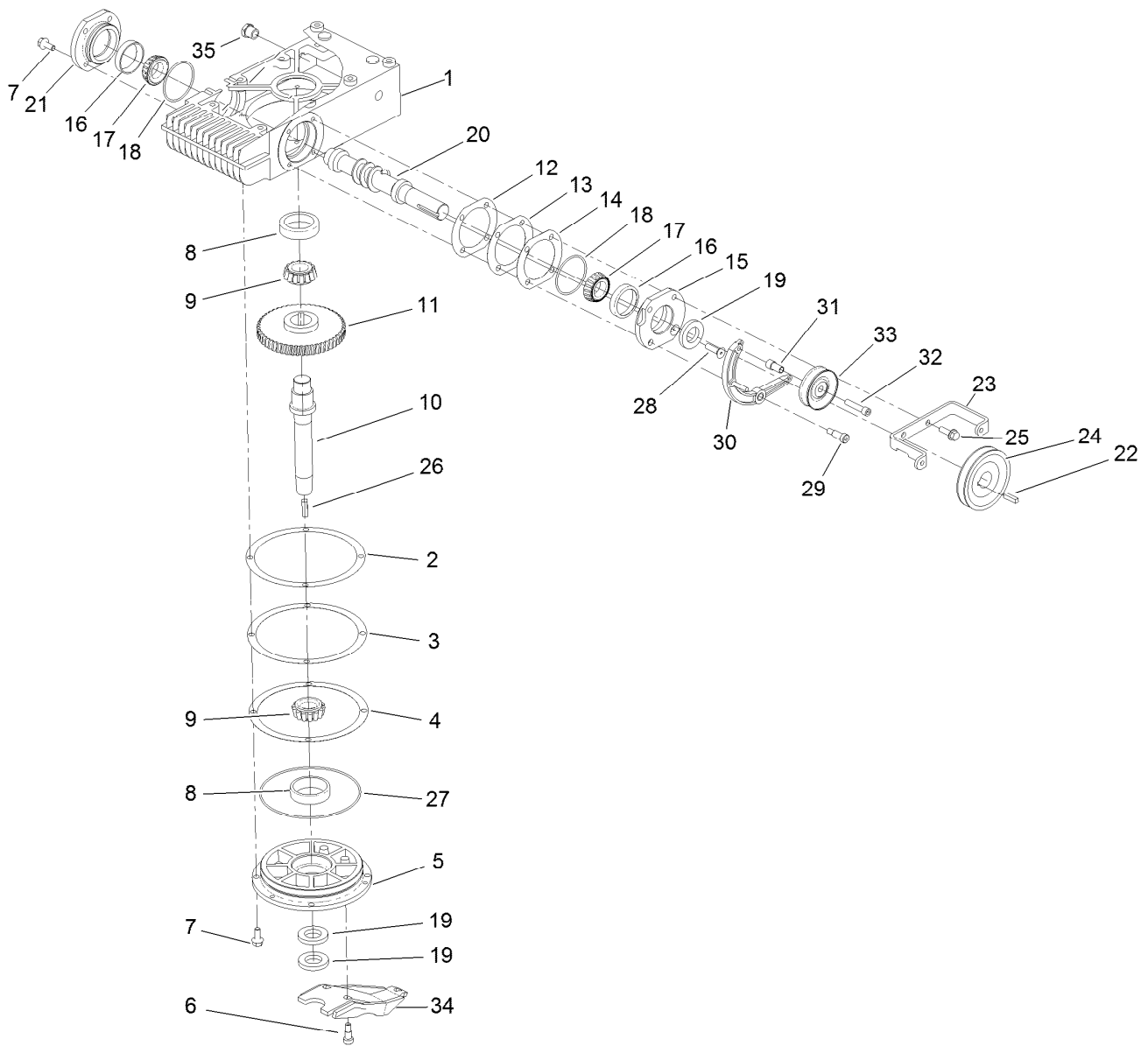
Contents

36 Inch Rotating Ring, Blade and Gearbox Assembly	4
Gearbox Assembly No. 125-4991	5
36 Inch Standard Handle and Guard Assembly	6
Standard Handle Assembly No. 125-4999	7
Engine Assembly	8



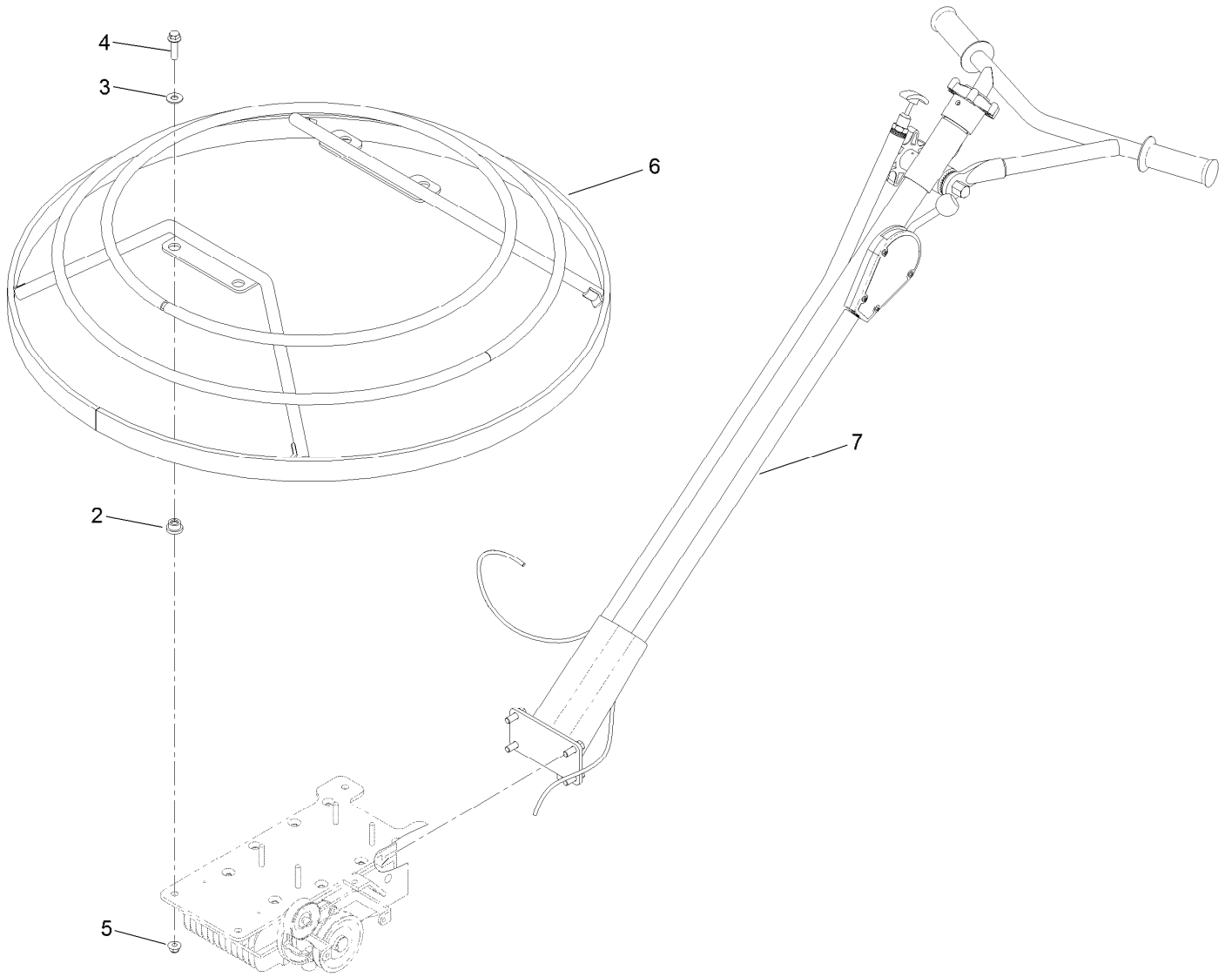
36 Inch Rotating Ring, Blade and Gearbox Assembly

<i>Ref.</i>	<i>Part Number</i>	<i>Qty.</i>	<i>Description</i>	<i>Ref.</i>	<i>Part Number</i>	<i>Qty.</i>	<i>Description</i>
1	125-4991	1	Gearbox ASM	15	127-6852	4	Nut-Flange, Lock
2	125-6246	1	Engine Base Assembly Pt-36	16	ST46042	4	Fitting-Grease
3	ST80068	8	Screw	17	ST22171-01	1	Rotating-Ring
4	ST22200-01	1	Cover-Plate, Thrust	18	ST80066	4	Screw-HSBH
5	ST32123	1	Bearing-Ball	19	125-4992	4	Blade-Combination
6	ST21684	1	Plate-Tilt	20	115-1794	8	Screw-HHF
7	2411-36	4	Bearing-End, Rod	21	3218-2	4	Nut-Jam
8	ST28283	1	Spider-4 Arm	22	322-41	4	Screw-HH
9	79-3370	1	Key	23	ST28022	1	Rod-Pivot, Cable
10	ST28435	1	Washer-Flat	24	ST47183	4	Carplug-Red
11	3234-42	1	Screw-HHF	25	127-2802	1	Rear Belt Guard ASM
12	ST22183-03	4	Arm	25:2	117-4979	1	Decal-Warning
13	ST32180	8	Bushing-Sleeve, Nylon	26	ST28431-01	1	Guide-Belt
14	3220-3	4	Nut-HJ	27	100-1719	1	Screw-Flange



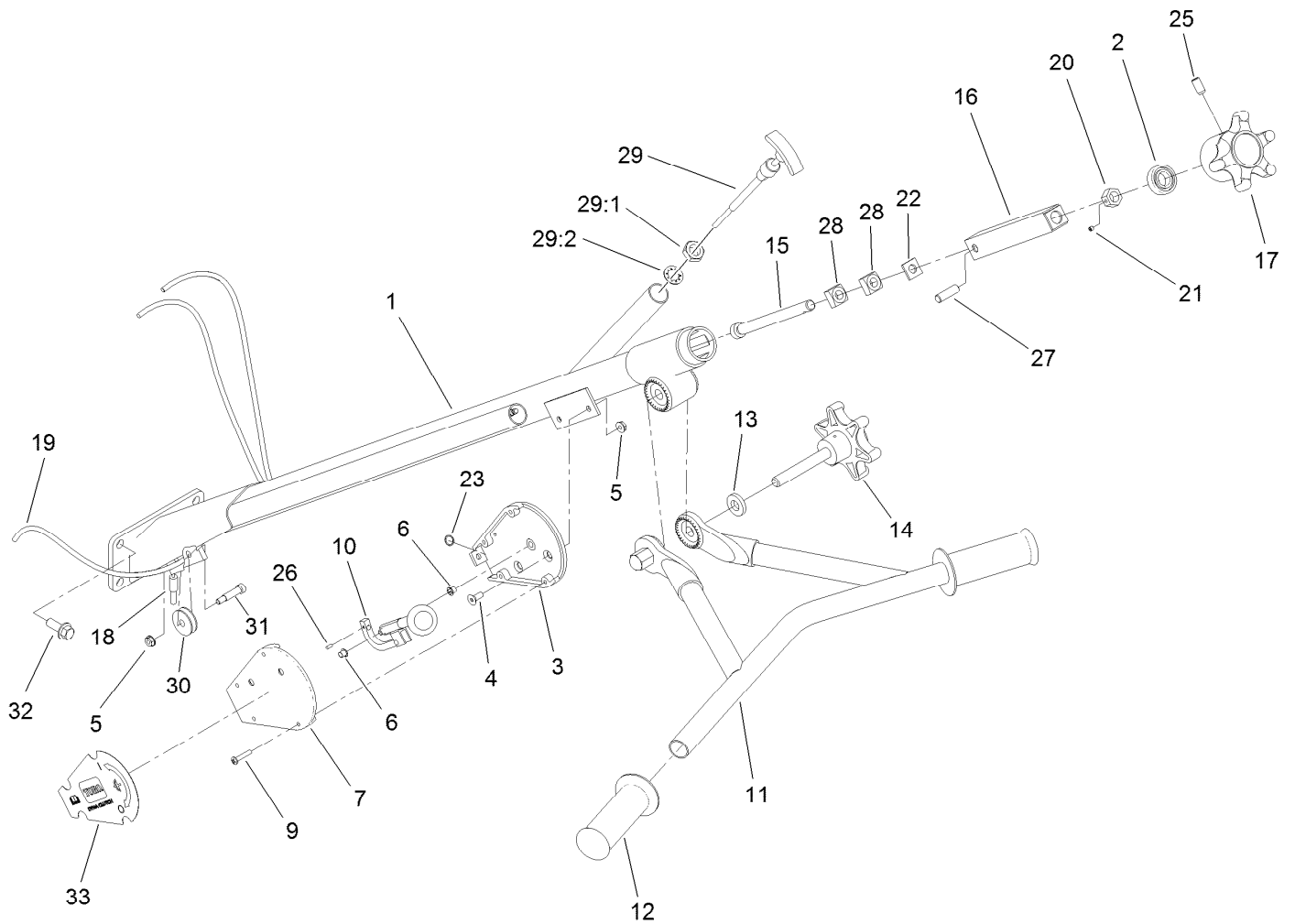
Gearbox Assembly No. 125-4991

Ref.	Part Number	Qty.	Description	Ref.	Part Number	Qty.	Description
1	ST39547	1	Gearcase	16	254-72	2	Bearing-Cup, Tapered
2	ST47333	3	Shim-Cover, Bottom (.001 Inch)	17	254-94	2	Bearing-Cone, Tapered
3	ST47334	1	Shim-Cover, Bottom (.005 Inch)	18	400-0261	2	O-Ring
4	ST47335	5	Shim-Cover, Bottom (.010 Inch)	19	ST39014	3	Seal-Shaft
5	ST42720	1	Cap-Bearing, Bottom	20	ST42712	1	Shaft-Input
6	ST80285	2	Screw-HSBH	21	ST42719	1	Cover-Bearing, Blind End
7	3234-47	8	Screw-HHF	22	5-7280	1	Key
8	127-5561	2	Bearing-Cup	23	ST42787-01	1	Bracket-Guard, Belt
9	127-5560	2	Bearing-Cone	24	ST34835	1	Sheave
10	ST42715	1	Shaft-Output	25	3234-17	2	Screw-HHF
11	ST39009	1	Gear-Worm	26	ST80744	1	Key-Hardened
12	ST47336	3	Shim-Cover, Side (.001 Inch)	27	ST32272	1	O-Ring
13	ST47337	1	Shim-Cover, Side (.005 Inch)	28	ST80105	1	Screw
14	ST47338	5	Shim-Cover, Side (.010 Inch)	29	119-6915	1	Screw-Shoulder, HSH
15	ST42718	1	Cover-Bearing, Sheave End	30	127-1662	1	Clutch Lever ASM
				31	127-7628	1	Spacer-Idler, Trowel
				32	3274-83	1	Screw-HSH
				33	127-7629	1	Idler-V, Trowel
				34	125-8707-01	1	Lever-Tilt
				35	ST34096	1	Plug-Sight, Oil



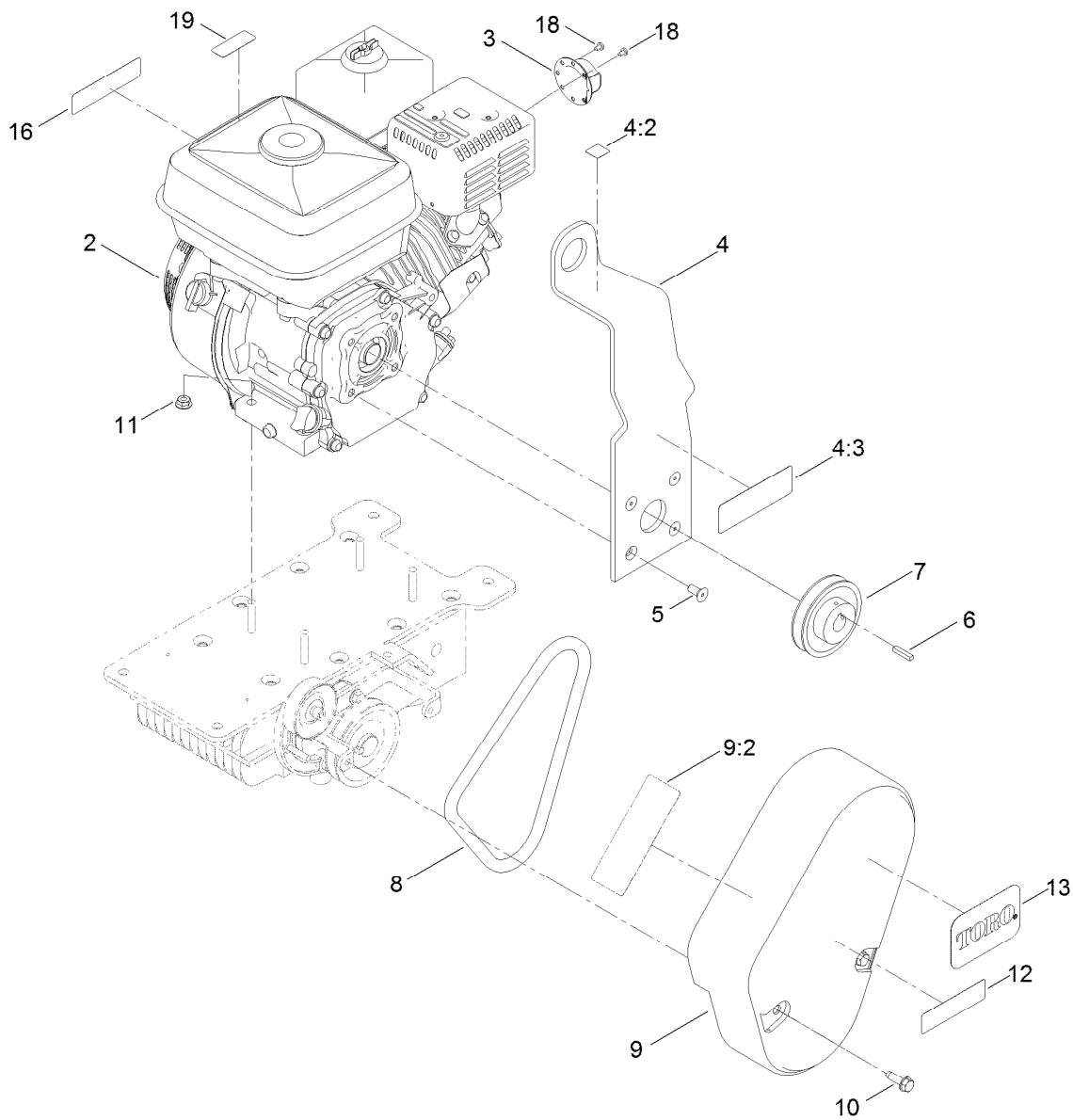
36 Inch Standard Handle and Guard Assembly

<i>Ref.</i>	<i>Part Number</i>	<i>Qty.</i>	<i>Description</i>
2	ST47355	4	Mount-Shock
3	3256-4	4	Washer-Flat
4	114-4681	4	Screw-HHF
5	104-8301	4	Nut-HF, NI
6	127-2803-01	1	Guard-Stationary
7	125-4999	1	Handle-Standard



Standard Handle Assembly No. 125-4999

Ref.	Part Number	Qty.	Description	Ref.	Part Number	Qty.	Description
1	ST22169-01	1	Handle-Main	19	ST35202	1	Clutch Cable ASM
2	ST32118	1	Bearing-Ball	20	ST42530	1	Nut-Lock, Tilt
3	ST27353	1	Housing-Clutch	21	ST81156	1	Screw-HSH, Set
4	3274-47	2	Screw-HSFH	22	ST47185	1	Washer-Square
5	32149-2	3	Nut-Keps	23	ST80069	1	Ring-External
6	ST32117	2	Bushing-Flange	25	ST80261	1	Screw-HSH, Set
7	ST27355	1	Cover-Clutch	26	ST80305	1	Pin
9	ST80070	4	Screw-PPH	27	ST80321	1	Pin
10	ST21977	1	Lever ASM	28	3290-510	2	Nut-Square
11	127-2809-01	1	Handle-Adjustable	29	ST35346	1	Cable ASM
12	ST47125	2	Grip-Handle	29:1	127-5558	1	Nut-Jam
13	ST80125	1	Washer-Flat	29:2	127-5559	1	Washer-Lock
14	ST21844	1	Knob-Adjustment	30	ST36767	1	Pulley-Pivot
15	ST22239	1	Rod-Tilt	31	ST80275	1	Screw-HSBH
16	ST22244-01	1	Block-Tilt	32	3234-42	4	Screw-HHF
17	ST27360	1	Handle-Tilt, Blade	33	125-4934	1	Decal
18	ST34795	1	Cable-Tilt				



Engine Assembly

Ref.	Part Number	Qty.	Description	Ref.	Part Number	Qty.	Description
2		1	Engine-Honda, Gx160 ●■	9	127-2801	1	Belt Guard ASM
3	125-3866	1	Deflector	9:2	125-4933	1	Decal-Warning
4	127-5585	1	Plate-Eye, Lift	10	701243	2	Screw-Thd Roll, HWH
4:2	93-9084	1	Decal-Point, Lift	11	32128-26	4	Nut-Flange
4:3	117-4979	1	Decal-Warning	12	125-4931	1	Decal
5	ST80171	4	Screw	13	105-6971	1	Decal
6	5-1077	1	Key-Square	16	133-8062	1	Decal-Arrestor, Spark
7	ST34833	1	Sheave	18	125-0519	2	Screw-Self Tapping
8	ST35331	1	Belt-V	19	130-8322	1	Decal-Warning, Ethanol

● Not serviced separately

■ Obtain parts from www.honda-engines.com

Notes:

Notes:

Notes:



Count on it.