



**Count on it.**

**Parts Catalog**

**MMX-658H-P**

**Mortar Mixer**

Model No. 60217—Serial No. 404320000 and Up



# Ordering Replacement Parts

To order replacement parts, please supply the part number, the quantity, and the description of each part desired.

## Understanding Reference Numbers

Each identified part in an illustration has a reference number. The reference number for a part also appears in the parts list, along with other information about the part.

This catalog uses two special reference number formats, one to indicate parts in a service assembly and another to indicate the quantity of a given part in an illustration.

## Service Assembly Reference Numbers

Parts in service assemblies have reference numbers in the form a:b. The a represents the reference number of the entire service assembly and the b represents a sequential number unique to each part within the service assembly.

For example, a wheel assembly might be identified by reference number 6, the tire by 6:1, the valve by 6:2, and the wheel by 6:3. When you order the assembly identified by reference number 6, you receive all parts identified by reference numbers 6:1, 6:2, and 6:3. However, you may also order any part individually. Reference numbers of this type appear in illustration and in parts lists.

## Reference Numbers Indicating Quantity

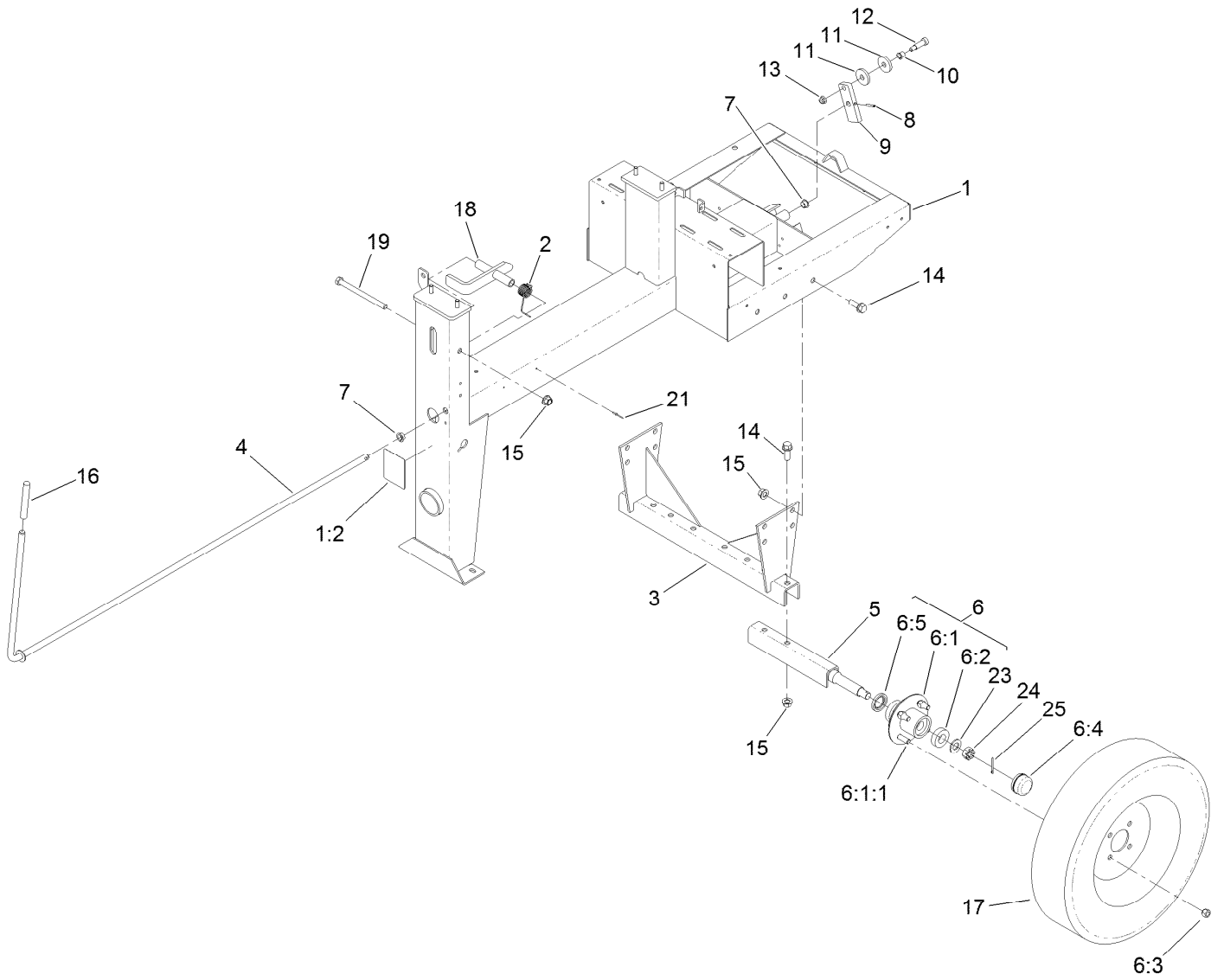
In an illustration, if a reference number indicates more than one part, the reference number has the form nX y. The n represents the quantity of the part, the X is the multiplication symbol, and the y represents the reference number.

For example, in an illustration, the reference number 2X 37 means that two of the parts identified by reference number 37 are indicated.

# Contents

- Frame and Axle Assembly ..... 4
- Drum and Paddle Assembly ..... 6
- Engine Assembly ..... 8
- Cowling Assembly ..... 10
- Attachments and Accessories ..... 12

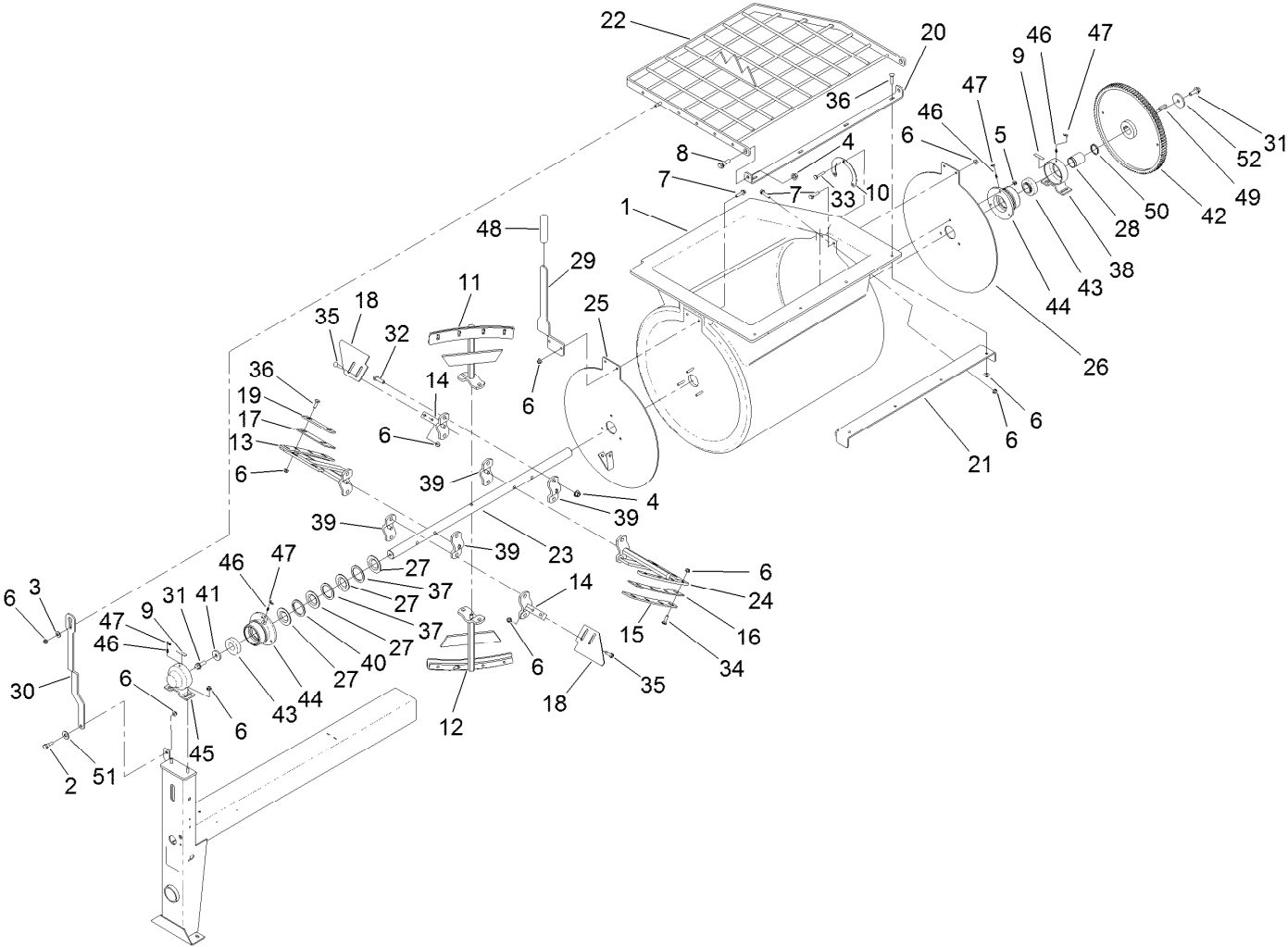
# Frame and Axle Assembly



## Frame and Axle Assembly (continued)

<i>Ref.</i>	<i>Part Number</i>	<i>Qty.</i>	<i>Description</i>	<i>Ref.</i>	<i>Part Number</i>	<i>Qty.</i>	<i>Description</i>
1	131-7532	1	Frame ASM	9	ST39446	1	Link-Clutch
1:2	125-8216	1	Decal-Safety Chain, Towing	10	ST32099	1	Bushing-Flange
2	132-3852	1	Spring-Torsion	11	ST26326	2	Washer-Flat
3	125-8219-03	1	Support-Axle	12	ST81153	1	Screw-HSBH
4	131-5251-03	1	Lever-Clutch	13	104-8301	1	Nut-HF, NI
5	ST22512-03	2	Axle-Half	14	100-6116	8	Screw-HHF
6	139-1328	2	Hub ASM	15	99-5107	9	Nut-Lock
6:1	139-1327	1	Hub-4In	16	ST34687	1	Grip-Handle
6:1:1	ST39190	4	Stud-Wheel	17	ST32306	2	Tire And Rim ASM
6:2	ST32233	2	Bearing-Roller	18	132-7154-03	1	Latch-Drum
6:3	ST80045	4	Nut-Lug	19	325-33	1	Screw-HH
6:4	ST34573	1	Cap-Dust	21	923786	2	Rivet
6:5	ST32052	1	Seal-Hub, Wheel	23	3256-28	2	Washer-Flat
7	ST32116	2	Bushing-Flange	24	ST80054	2	Nut
8	32121-69	1	Pin-Spring	25	3272-13	2	Pin-Cotter

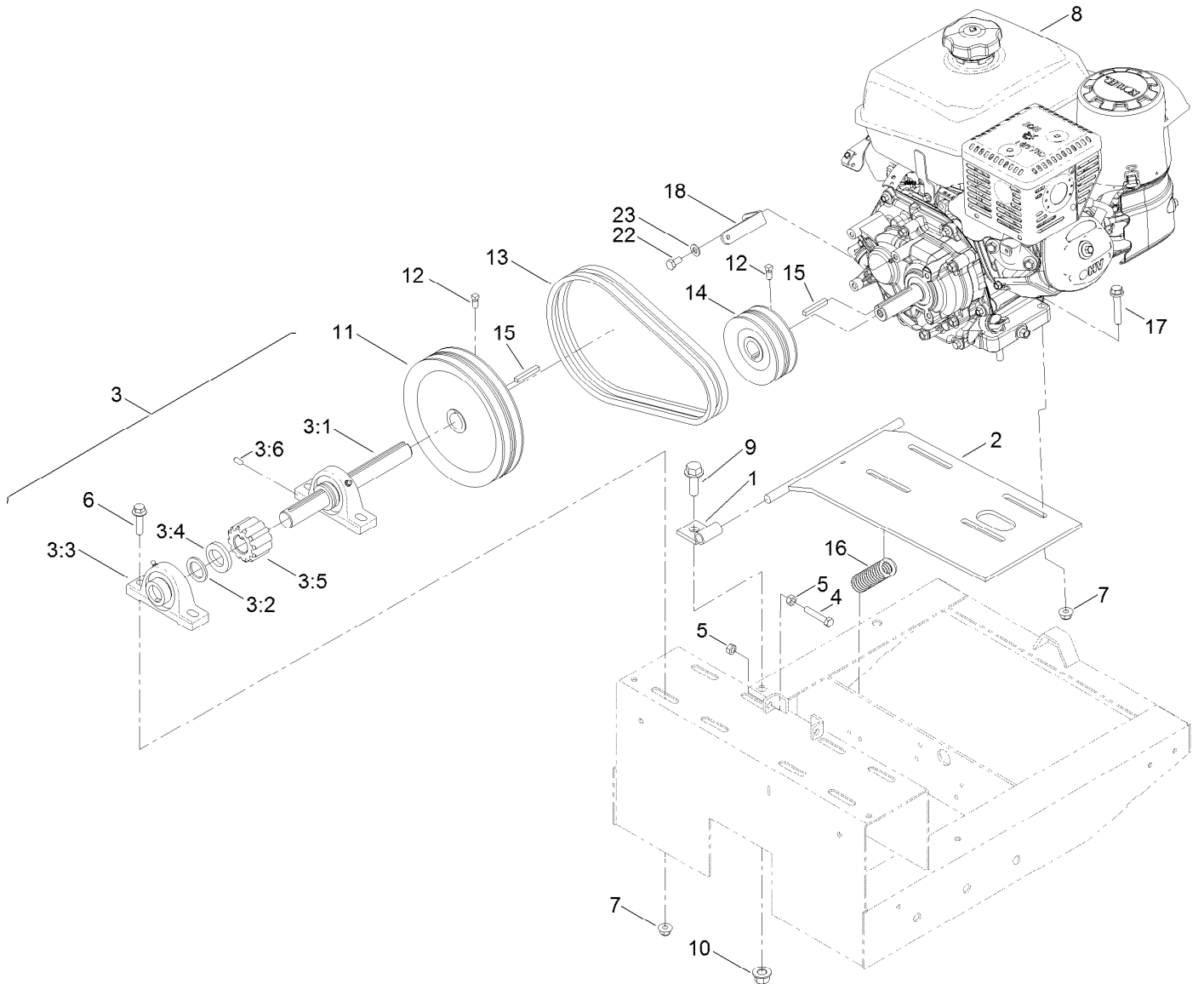
# Drum and Paddle Assembly



## Drum and Paddle Assembly (continued)

<i>Ref.</i>	<i>Part Number</i>	<i>Qty.</i>	<i>Description</i>	<i>Ref.</i>	<i>Part Number</i>	<i>Qty.</i>	<i>Description</i>
1	137-0621	1	Drum	28	138-3159	1	Spacer
2	80-1300	1	Bolt-Shoulder	29	137-7600-01	1	Handle-Dump
3	80-6990	1	Washer-Hardened	30	137-0672-01	1	Arm-Lift, Grate
4	99-5107	12	Nut-Lock	31	130-6482	2	Screw-HHF
5	104-8300	6	Nut-HF, NI	32	325-7	10	Screw-HH
6	104-8301	42	Nut-HF, NI	33	3230-6	6	Bolt-CARR
7	114-4681	8	Screw-HHF	34	3231-25	20	Bolt-CARR
8	116-0780	2	Screw-Shoulder, HHF	35	3231-29	4	Screw-CARR
9	125-8175	2	Decal-Grease	36	3231-5	4	Screw-CARR
10	127-1666-01	2	Spacer-Bolt	37	ST24017	4	Washer-Flat
11	137-7617-01	1	Paddle-Mid	38	ST24021-01	1	Trunnion
12	137-7618-01	1	Paddle-Mid	39	ST24107-01	4	Clamp
13	137-7616-01	1	Paddle-Front	40	ST25881	2	Washer-Split
14	138-3180-01	2	Paddle-Pusher	41	ST26326	1	Washer-Flat
15	138-3107-01	4	Bar-Backer, Top	42	ST26933-03	1	Gear-94 Teeth
16	131-5262	4	Blade-Rubber, Top	43	ST32003	2	Bearing-Ball
17	131-5261	2	Paddle-Rubber, Mixer End	44	ST32326-01	2	Housing-Bearing
18	138-3177-01	2	Blade-Scraper	45	ST36574-01	1	Trunnion-Capped
19	131-5722-01	2	Bar-Backer, End	46	ST46042	4	Fitting-Grease
20	137-0624-01	1	Mount-Guard	47	ST47001	4	Cap-Plug
21	137-0623-01	1	Support-Guard	48	104-9838	1	Grip-Foam
22	137-0627-01	1	Grate-6 Cuft	49	ST81060	1	Key-Square
23	138-3110-01	1	Shaft-Drum	50	138-3163	1	Spacer-Shaft, Drum
24	137-0664-01	1	Paddle-Rear	51	3256-6	1	Washer-Flat
25	137-0640-01	1	End-Drum	52	138-3162	1	Washer-Plain
26	137-0641-01	1	End-Drum				
27	ST32324	8	Seal-Drum				

# Engine Assembly





## Engine Assembly (continued)

<i>Ref.</i>	<i>Part Number</i>	<i>Qty.</i>	<i>Description</i>	<i>Ref.</i>	<i>Part Number</i>	<i>Qty.</i>	<i>Description</i>
1	ST57786-03	2	Mount-Motor	8	137-0697	1	Engine-Kohler
2	ST39557-03	1	Base-Motor	9	100-6116	2	Screw-HHF
3	131-5704	1	Pinion ASM	10	99-5107	2	Nut-Lock
3:1	131-5705	1	Shaft-Pinion	11	ST38450	1	Sheave
3:2	3-8514	2	Washer-Thrust	12	1-803022	4	Screw-Set
3:3	ST32208	2	Bearing-Block, Pillow	13	138-7144	1	Belt-V (Matched Pair)
3:4	131-5706	1	Washer	14	ST38449	1	Sheave
3:5	ST57625	1	Gear-Spur	15	7-0238	2	Key-Square
3:6	95-0715	1	Pin-Dowel	16	ST34849	1	Spring
4	322-41	1	Screw-HH	17	108-3742	4	Screw-HHF
5	3217-6	2	Nut-Hex	18	137-7466	1	Guide-Belt
6	114-4681	4	Screw-HHF	22	33114-016	1	Screw-HH
7	104-8301	8	Nut-HF, NI	23	3256-23	1	Washer-Plain



## Cowling Assembly (continued)

<i>Ref.</i>	<i>Part Number</i>	<i>Qty.</i>	<i>Description</i>	<i>Ref.</i>	<i>Part Number</i>	<i>Qty.</i>	<i>Description</i>
1	127-1683	1	Stationary Cowl ASM	6	137-7656-03	1	Plate-Access, Belt
1:2	133-8062	1	Decal-Arrestor, Spark	7	67-7320	2	Decal
2	127-1685	1	Movable Cowl ASM	8	125-8175	1	Decal-Grease
2:2	125-4939	1	Decal-Warning	9	1-513658	2	Bumper
3	ST44368	1	Pin	10	137-7657-03	1	Plate-Access, Belt
4	ST47182	3	Latch-Rubber	11	137-7491	1	Decal-Service
5	110-9380	10	Screw-HWH				

# Attachments and Accessories

## For 60217 MMX-658H-P Mortar Mixer

<b>Product Name</b>	<b>Model/Part</b>
31in Forged Tow Pole Hitch .....	68056
31in Pintel Tow Pole Hitch .....	68058
31in Stamped Tow Pole Hitch .....	68060
Trailer Light Kit.....	68062

**Notes:**

**Notes:**

**Notes:**



**Count on it.**