



Count on it.

Parts Catalog

**27-inch 8-Blade EdgeSeries DPA
Cutting Unit**

Reelmaster® 3100-D Traction Unit

Model No. 03189—Serial No. 405170001 and Up



Ordering Replacement Parts

To order replacement parts, please supply the part number, the quantity, and the description of each part desired.

Understanding Reference Numbers

Each identified part in an illustration has a reference number. The reference number for a part also appears in the parts list, along with other information about the part.

This catalog uses two special reference number formats, one to indicate parts in a service assembly and another to indicate the quantity of a given part in an illustration.

Service Assembly Reference Numbers

Parts in service assemblies have reference numbers in the form a:b. The a represents the reference number of the entire service assembly and the b represents a sequential number unique to each part within the service assembly.

For example, a wheel assembly might be identified by reference number 6, the tire by 6:1, the valve by 6:2, and the wheel by 6:3. When you order the assembly identified by reference number 6, you receive all parts identified by reference numbers 6:1, 6:2, and 6:3. However, you may also order any part individually. Reference numbers of this type appear in illustration and in parts lists.

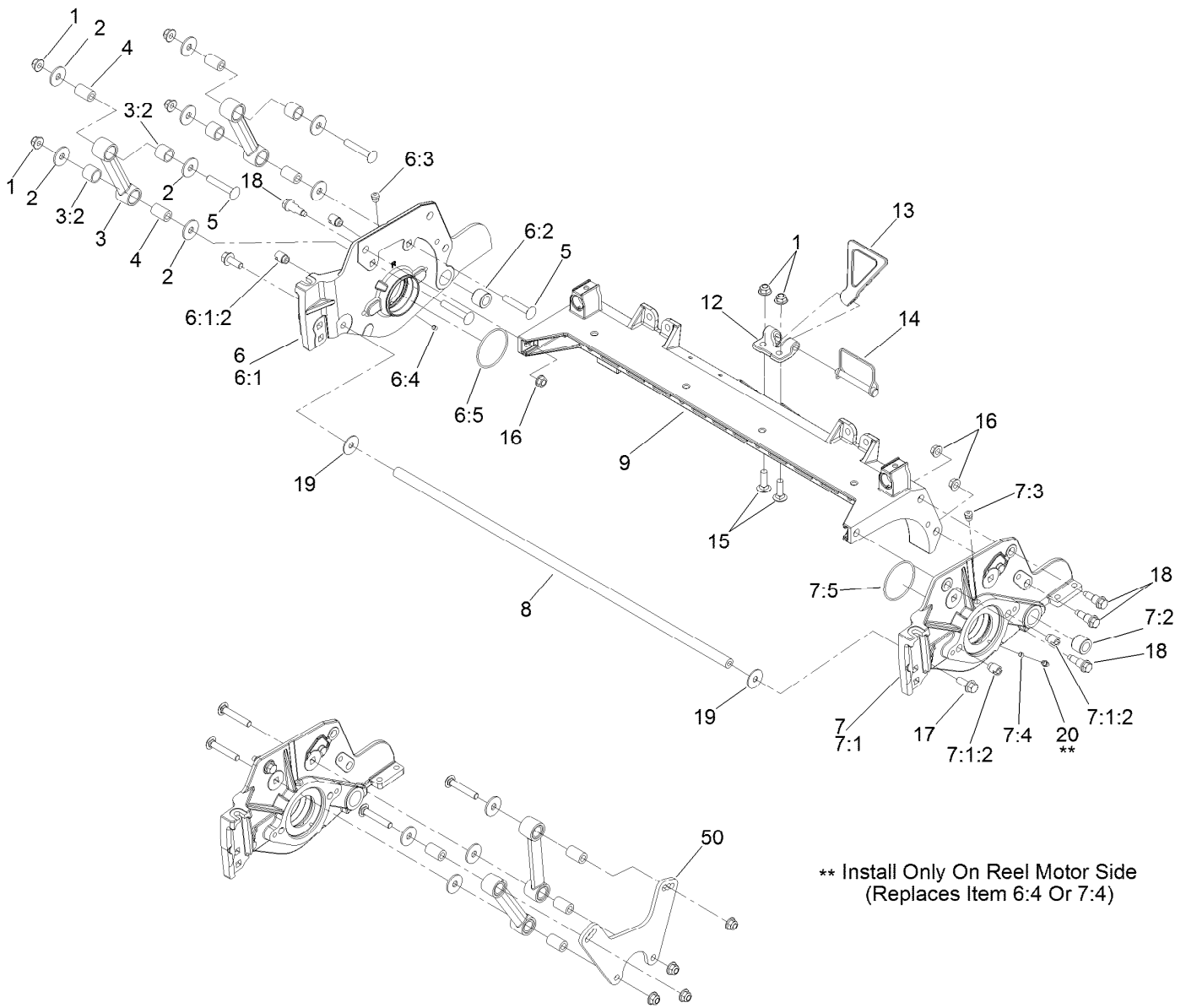
Reference Numbers Indicating Quantity

In an illustration, if a reference number indicates more than one part, the reference number has the form nX y. The n represents the quantity of the part, the X is the multiplication symbol, and the y represents the reference number.

For example, in an illustration, the reference number 2X 37 means that two of the parts identified by reference number 37 are indicated.

Contents

Frame Assembly.....	4
Reel and Bedbar Assembly	5
EdgeSeries+ 27in Fairway, 8 Blade, Low Drag, Radial Reel Assembly No. 137-8470	6
Optional Heavy-Duty MVP Kit No. 120-7230.....	7
Roller Assembly	8
Long Roller Assembly No. 112-8915.....	9
Optional Short Roller Assembly No. 119-4286	10
Optional Full Front Roller Assembly No. 114-9383	11
Wiehle Roller Assembly No. 117-0960	12
Optional Shoulder Roller Assembly No. 119-0630	13
Optional High Height-of-Cut Assembly No. 137-0890	14
Shield Assembly.....	15
Optional Tools Assembly.....	16
Attachments and Accessories	17



** Install Only On Reel Motor Side
(Replaces Item 6:4 Or 7:4)

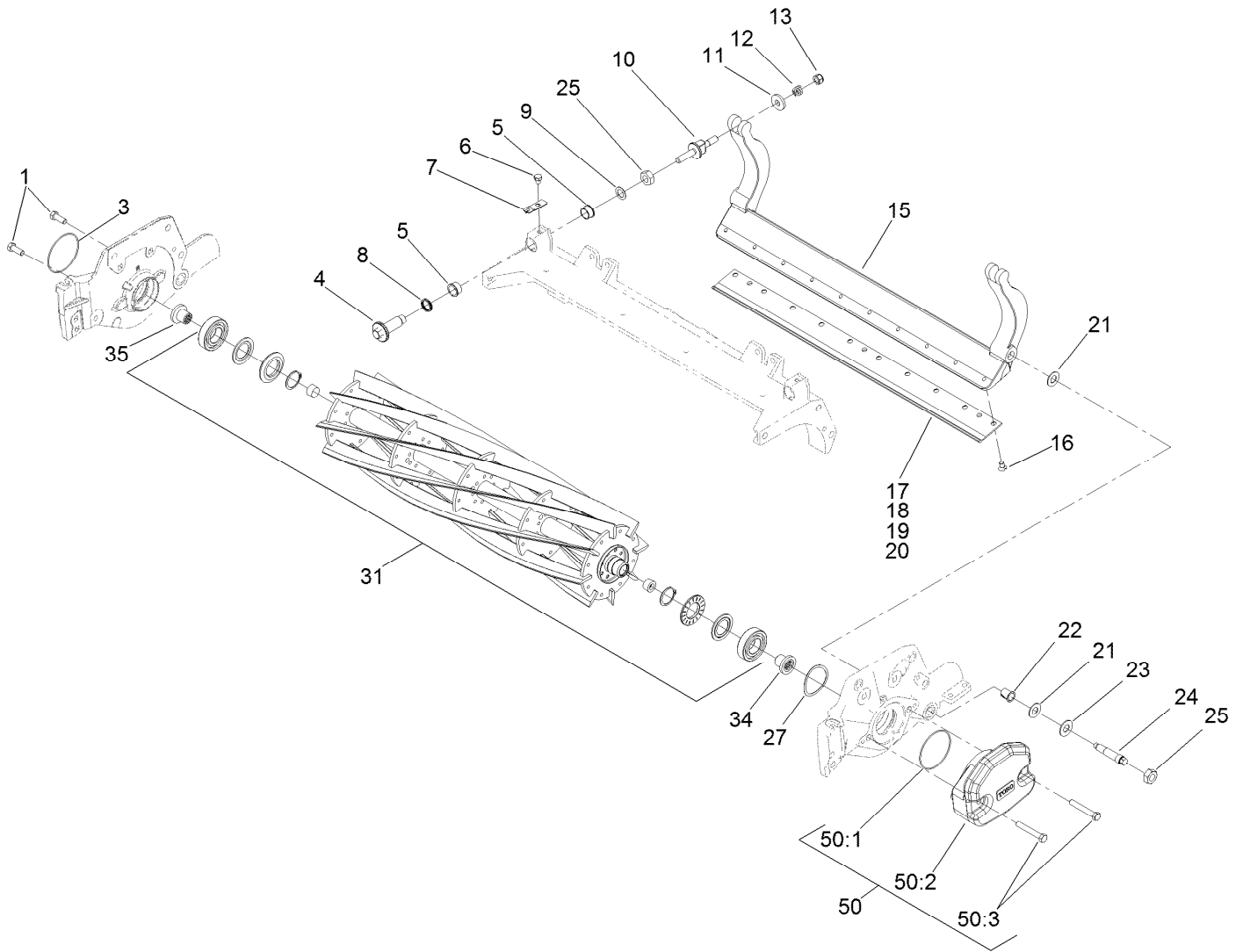
Frame Assembly

Ref.	Part Number	Qty.	Description
1	104-8301	10	Nut-HF, NI
2	93-8806	16	Washer-Hardened
3	16-9759	4	Link ASM
3:2	94-8945	2	Bushing
4	93-6981	8	Spacer
5	3231-40	8	Bolt-CARR, Short Neck
6	137-5979	1	RH 7 Inch Low Drag, Trim, Side Plate ASM
6:1		1	RH-7In LD Trim Sub ASM ■
6:1:2	127-7149	1	Insert-Threaded, Side Plate
6:2	106-9618	1	Bushing-Rubber
6:3	302-39	1	Fitting-Plug
6:4	3245-35	1	Screw-Set, HSH
6:5	117-8177	1	O-Ring
7	137-5976	1	LH 7 Inch Low Drag, Trim, Side Plate ASM
7:1		1	LH-7In LD Trim Sub ASM ■

Ref.	Part Number	Qty.	Description
7:1:2	127-7149	2	Insert-Threaded, Side Plate
7:2	106-9618	1	Bushing-Rubber
7:3	302-39	1	Fitting-Plug
7:4	3245-35	1	Screw-Set, HSH
7:5	117-8177	1	O-Ring
8	112-8936	1	Tube-Support
9	112-8935	1	Frame-Center
12	110-4058	1	Bracket-Chain
13	119-8010-03	1	Kickstand ●
14	107-7400	1	Pin-Lynch
15	3231-25	2	Bolt-CARR
16	3290-357	6	Nut-HHF, Whiz
17	3234-11	2	Screw-HHF
18	107-2979	6	Bolt-Shoulder
19	130-8094	2	Washer-Plain
20	302-5	1	Fitting-Grease
50	119-0646-03	1	Plate-Fixed (High HOC) ●

● Optional Equipment

■ Not serviced separately

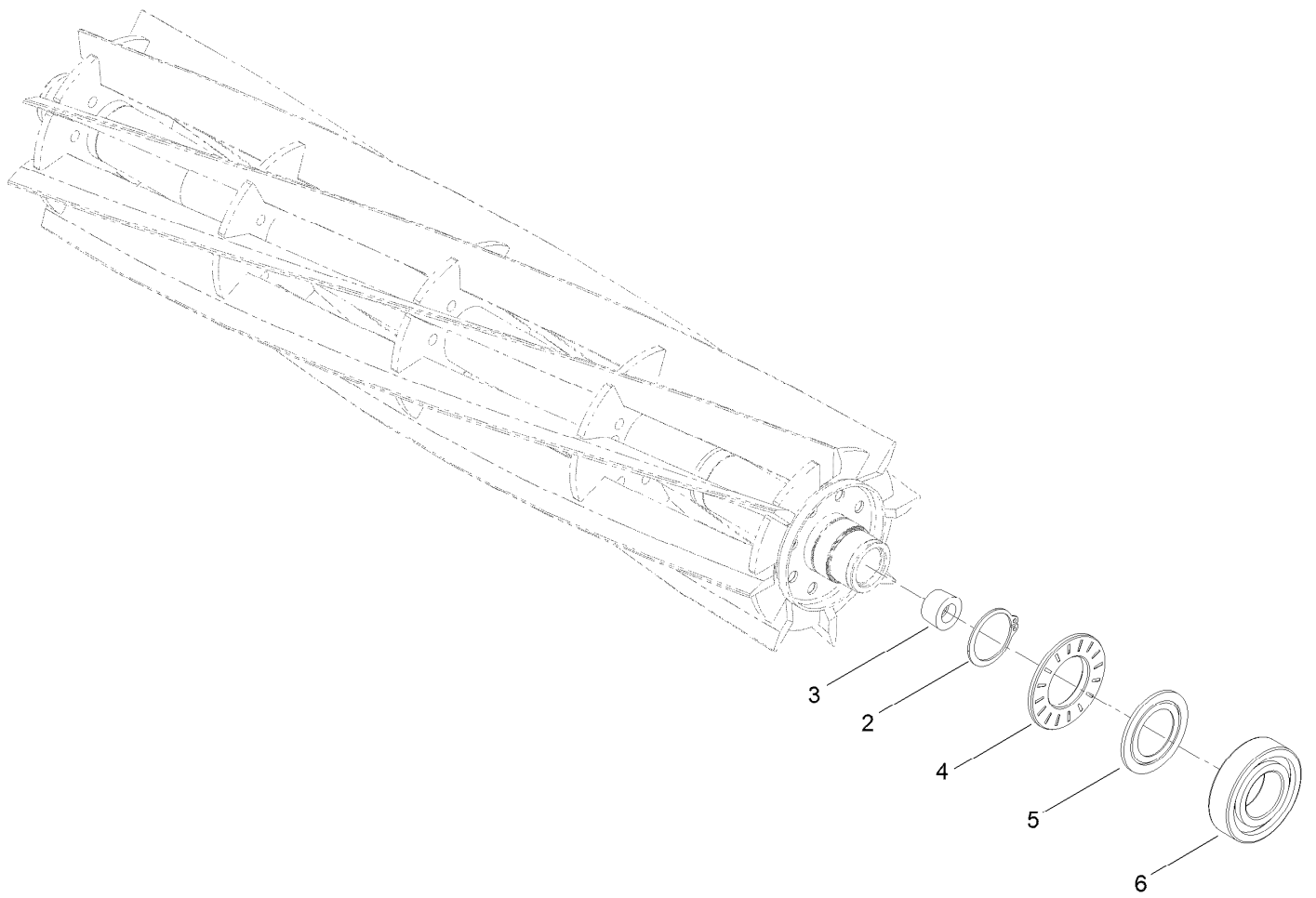


Reel and Bedbar Assembly

Ref.	Part Number	Qty.	Description	Ref.	Part Number	Qty.	Description
1	323-6	2	Screw-HH	21	61-1950	4	Washer-Plastic
3	112-6967	1	O-Ring	22	56-9520	2	Bushing-Flanged
4	120-5118	2	Shaft-Adjuster	23	69-8980	2	Washer
5	106-5344	4	Bushing-Flange, Keyed	24	106-9623	2	Bolt-Bedbar
6	119-4067	2	Screw-HH	25	3296-33	4	Nut-Lock, NI
7	99-2097	2	Detent	27	115-5258	1	Spring-Wire, Flat
8	120-5116	2	Washer-Wave	31	137-8470	1	Edgeseries+, Fairway(27In), 8 Blade, Low Drag, Radial Reel ASM
9	108-0015	2	Washer-Flat	34	127-7111	1	Insert-Threaded, 7 Inch (LH)
10	115-7039	2	Screw-Adjuster, Bedbar	35	127-7109	1	Insert-Threaded, 7 Inch (RH)
11	119-4155	2	Washer-Hardened	45	120-7230	1	HD DPA MVP Kit ● ■
12	120-5120	2	Spring-Compression	50	133-8260	1	Weight Kit (Cutting Unit) ■
13	119-4039	2	Nut-Hex, NI	50:1	112-6967	3	O-Ring
15	112-8908-01	1	Bedbar	50:2	119-0614-01	3	Weight-End
16	119-4151	10	Screw-Bedknife	50:3	323-12	6	Screw-HH
17	114-9388	1	Bedknife-STD				
18	112-8910	1	Bedknife-Edgemax ■				
19	114-9390	1	Bedknife-HD ■				
20	120-1641	1	Bedknife-Low HOC EXT ■				

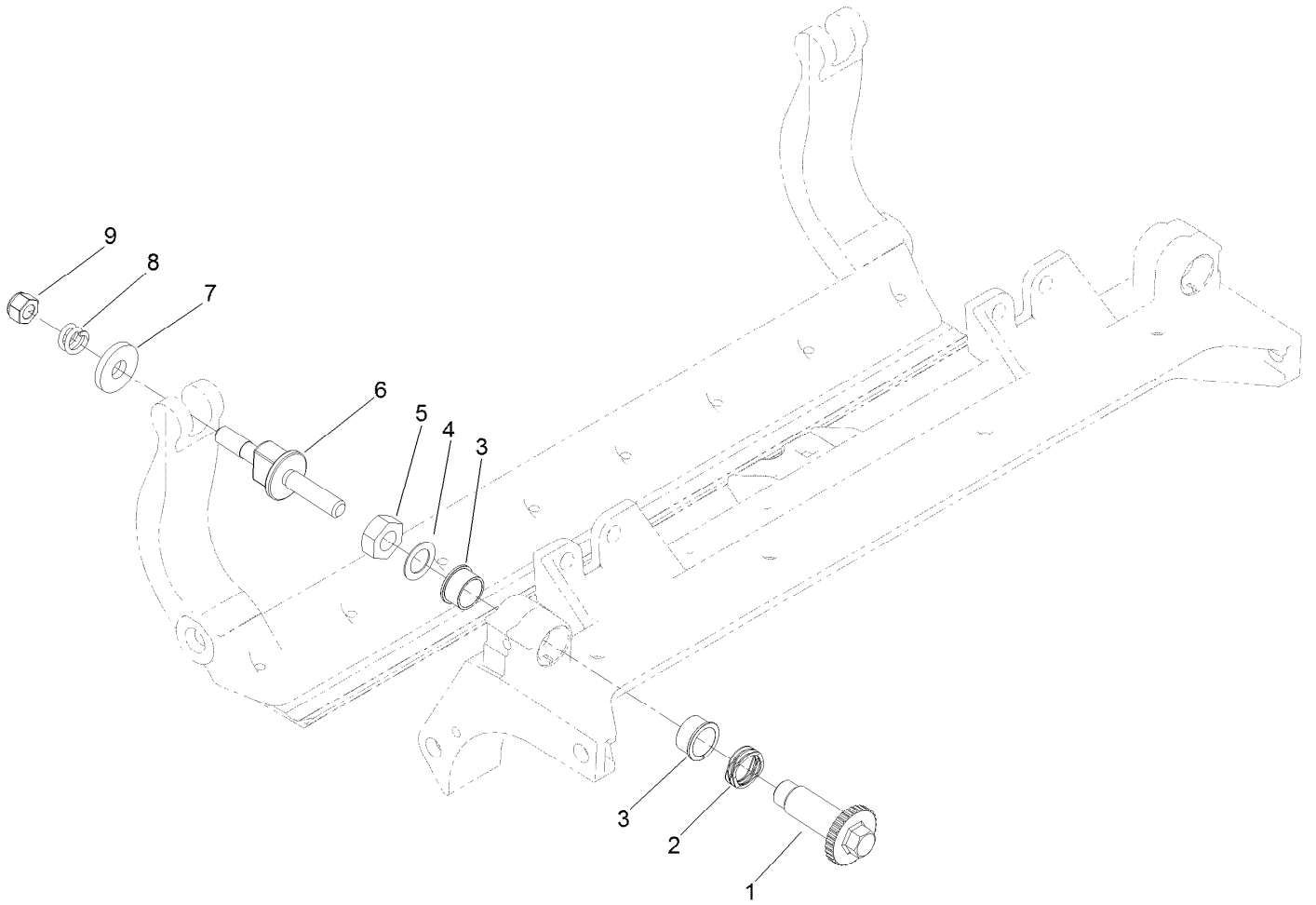
● Not illustrated

■ Optional Equipment



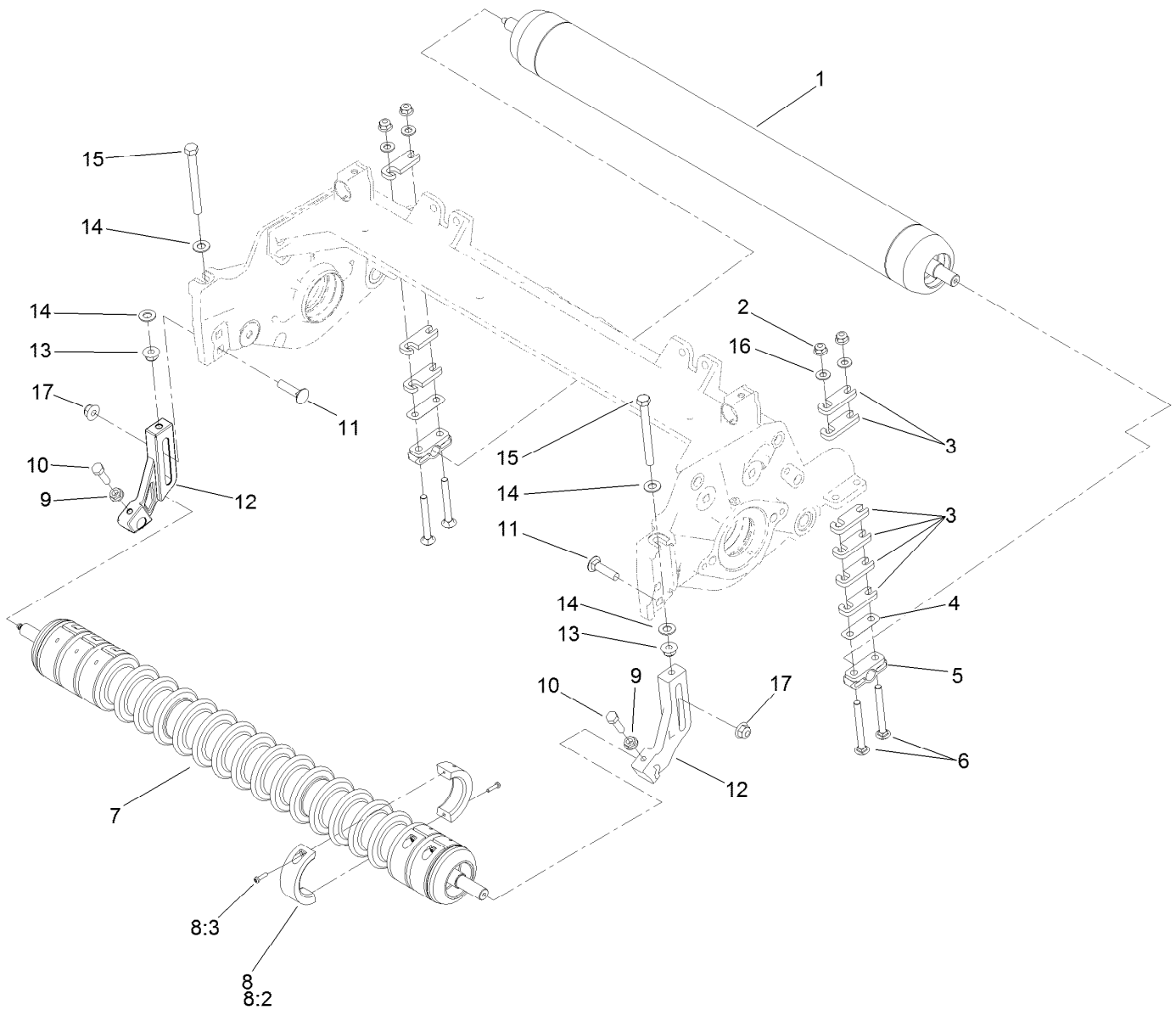
EdgeSeries+ 27in Fairway, 8 Blade, Low Drag, Radial Reel Assembly No. 137-8470

<i>Ref.</i>	<i>Part Number</i>	<i>Qty.</i>	<i>Description</i>
2	92-2601	2	Ring-Retaining
3	127-7118	2	Plug-Shaft, Reel
4	127-4284	2	Washer-Special
5	115-3299	2	Seal-Flocked
6	115-3296	2	Bearing-Sealed



Optional Heavy-Duty MVP Kit No. 120-7230

<i>Ref.</i>	<i>Part Number</i>	<i>Qty.</i>	<i>Description</i>
1	120-5118	2	Shaft-Adjuster
2	120-5116	2	Washer-Wave
3	106-5344	4	Bushing-Flange, Keyed
4	108-0015	2	Washer-Flat
5	3296-33	2	Nut-Lock, NI
6	115-7039	2	Screw-Adjuster, Bedbar
7	119-4155	2	Washer-Hardened
8	120-5120	2	Spring-Compression
9	119-4039	2	Nut-Hex, NI

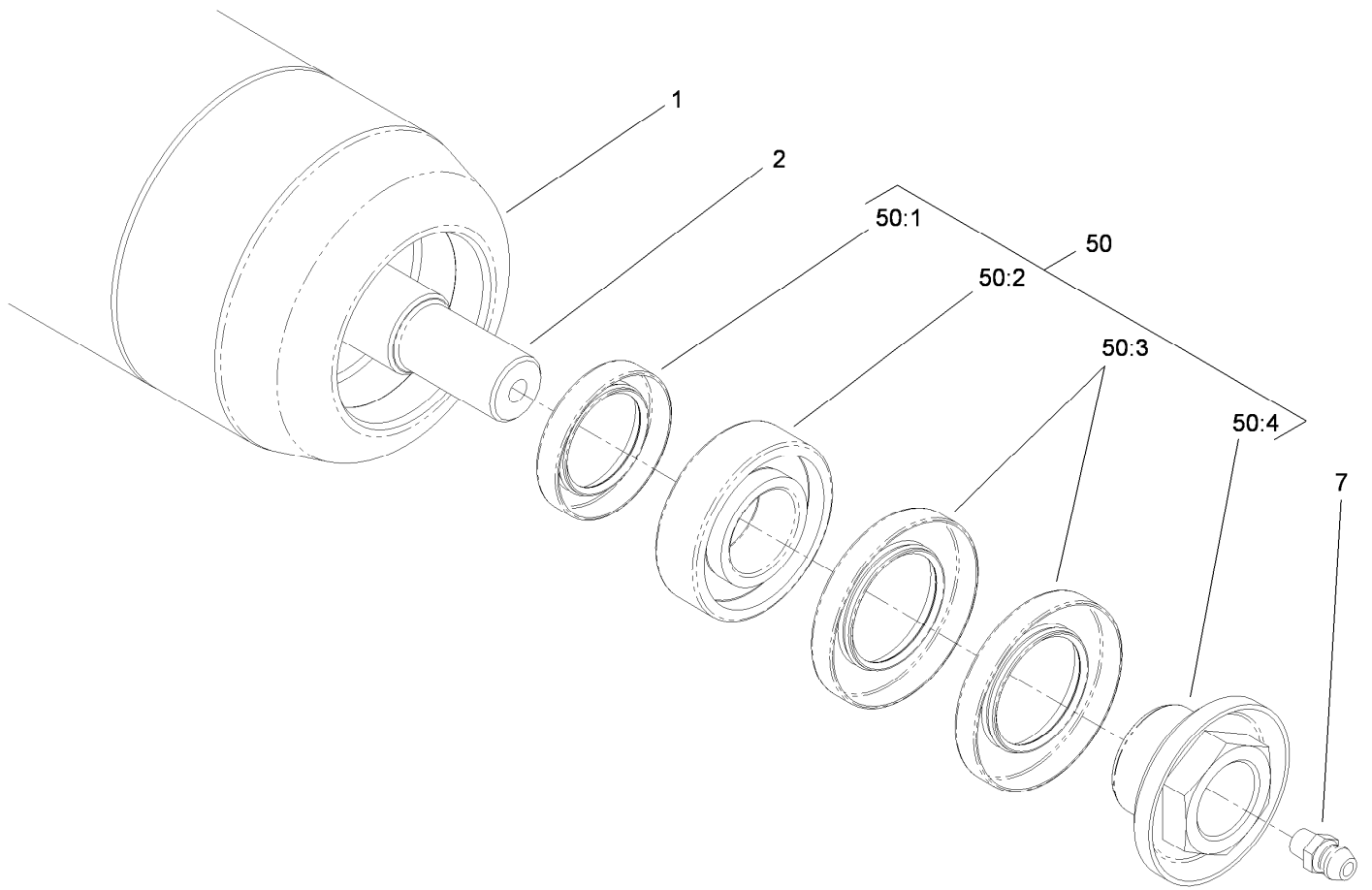


Roller Assembly

Ref.	Part Number	Qty.	Description	Ref.	Part Number	Qty.	Description
1	112-8915	1	Rear Roller ASM	8:3	104-1835	2	Screw
1	119-4286	1	Rear Roller ASM (Short) ●■	9	32128-20	2	Nut-HF
2	104-8300	4	Nut-HF, NI	10	322-16	2	Screw-HH
3	119-0626	12	Shim-Roller	11	3231-4	2	Screw-CARR
4	107-4001	2	Shim-Roller (0.01 Inch) ■	12	120-0404	1	Bracket-High HOC (LH)
5	106-3924	2	Bracket-Roller, Rear	12	120-0405	1	Bracket-High HOC (RH)
6	3230-26	4	Screw-CARR	13	104-8301	2	Nut-HF, NI
7	114-9383	1	Full Front Roller ASM (3Inch DIA) ●■	14	48-9220	4	Washer-Plain
7	117-0960	1	Plastic Wiehle Roller ASM	15	133-7571	2	Screw-HOC, Fairway
7	119-0630	1	Plastic Shoulder Roller ASM ●■	16	94-6936	4	Washer-Hardened
8	119-0649	1	Trim/HD Collar Kit ■	17	133-7570	2	Nut-Flange, NI
8:2	119-1604	2	Collar-Trim/HD	50	137-0890	1	Rm DPA High HOC Kit (F18 & Up) ●■

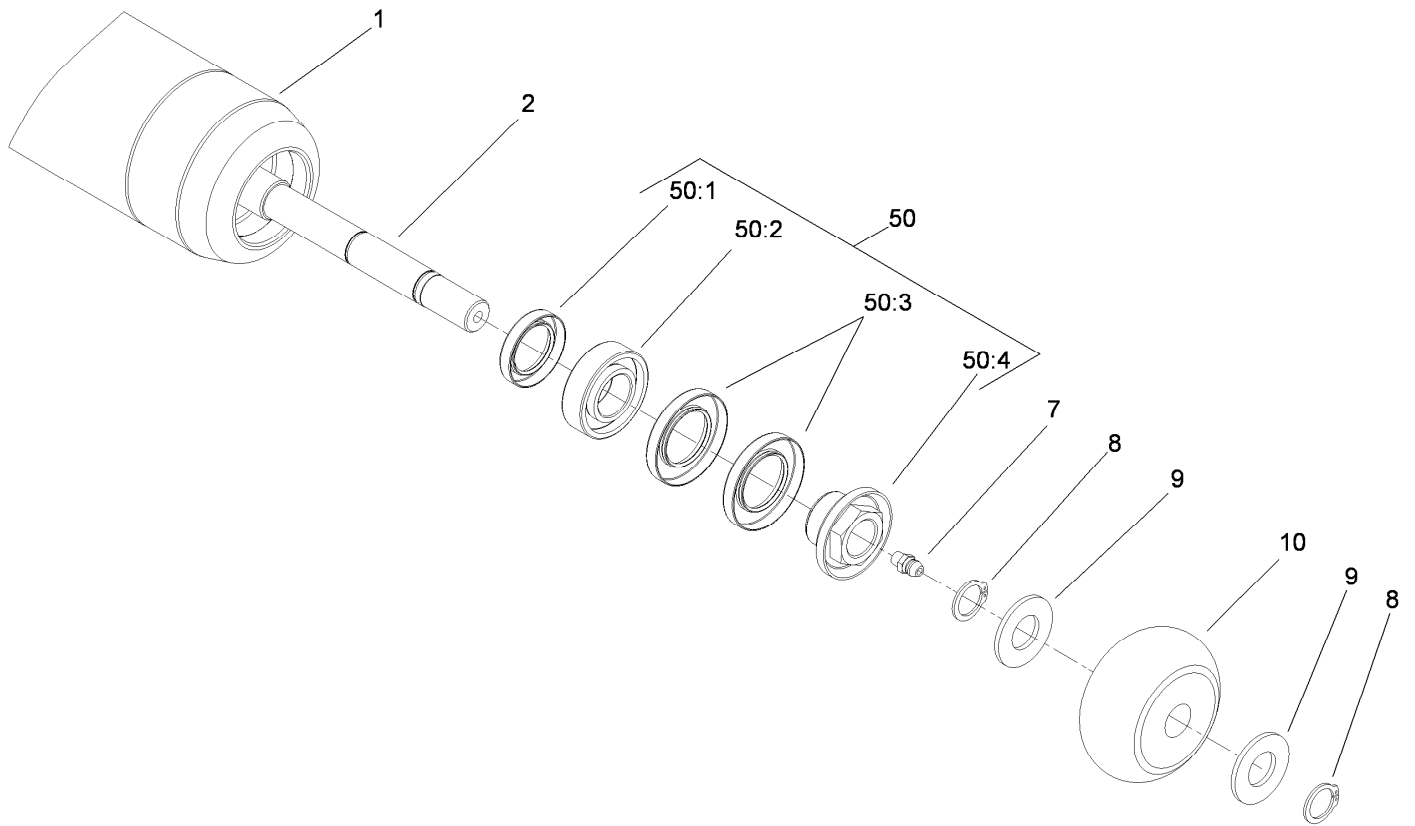
● Not illustrated

■ Optional Equipment



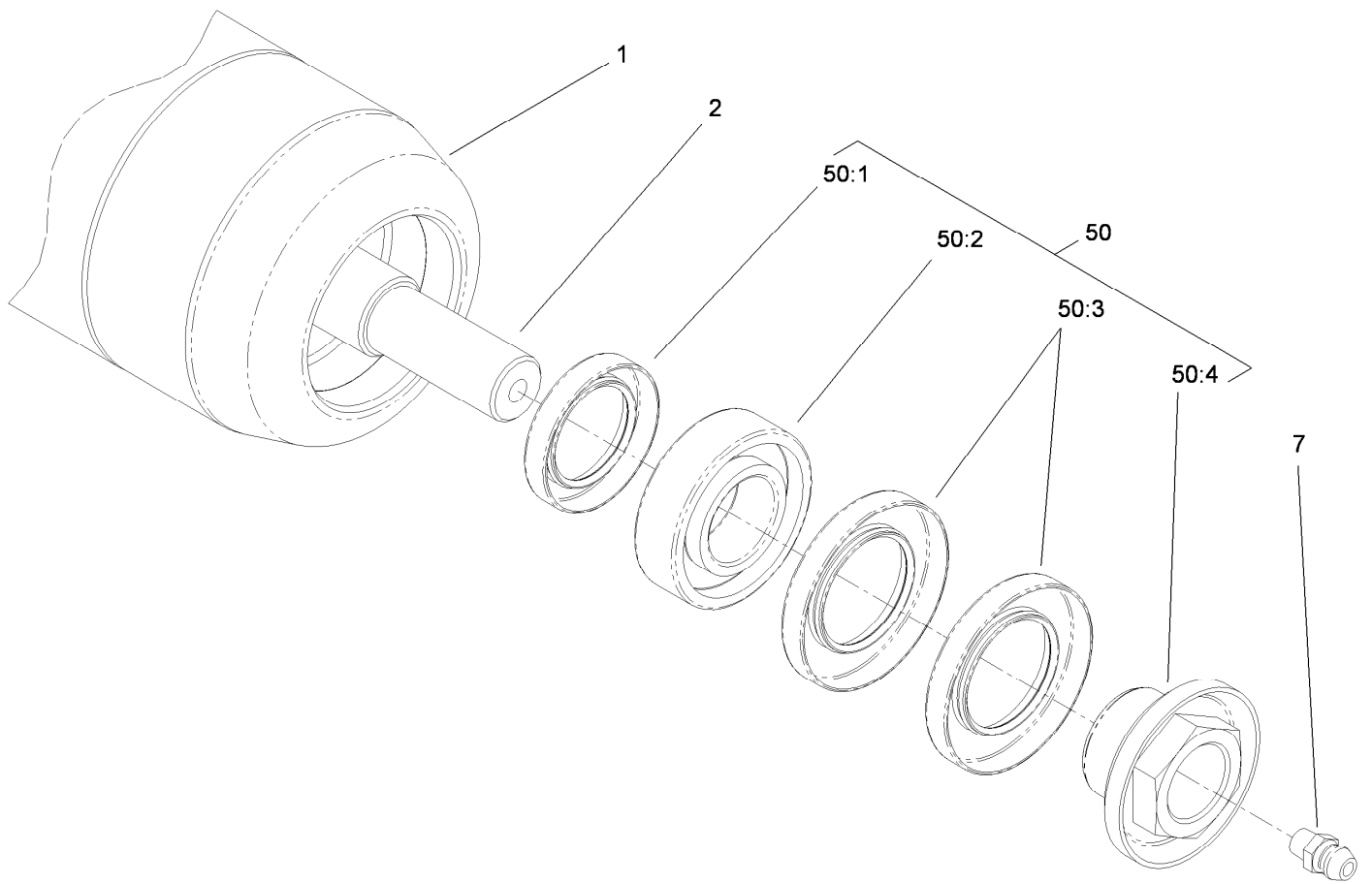
Long Roller Assembly No. 112-8915

<i>Ref.</i>	<i>Part Number</i>	<i>Qty.</i>	<i>Description</i>
1	112-8916-03	1	Tube-Roller, Long
2	112-8918	1	Shaft-Long, Rear Roller
7	302-5	2	Fitting-Grease
50	114-5430	1	Roller Rebuild Kit
50:1	114-3717	2	Seal-Oil
50:2	112-5290	2	Bearing-Steel, Stainless
50:3	112-7494	4	Seal
50:4	114-3745	2	Nut-Lock, Bearing



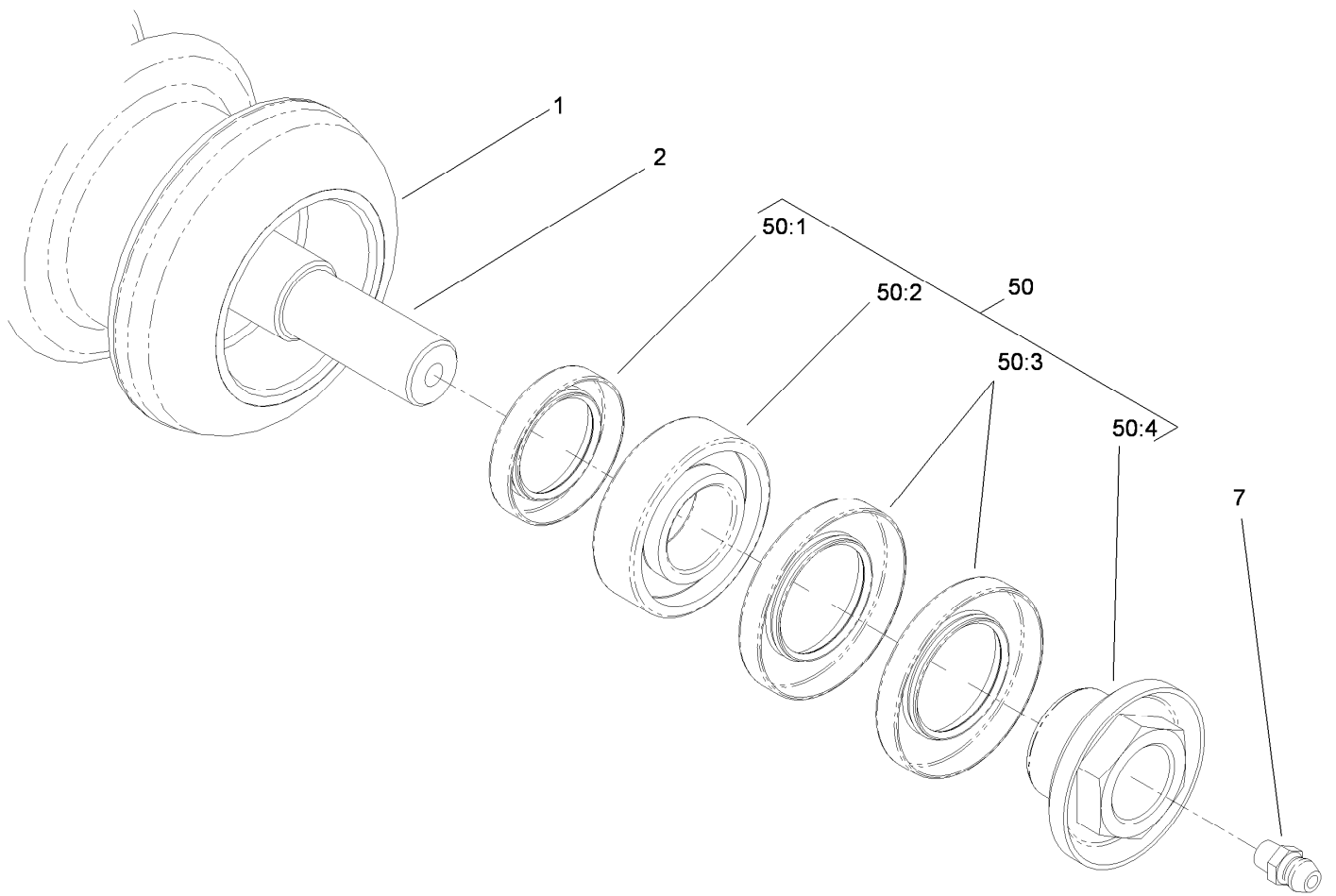
Optional Short Roller Assembly No. 119-4286

<i>Ref.</i>	<i>Part Number</i>	<i>Qty.</i>	<i>Description</i>
1	115-8296-03	1	Tube-Roller (Short)
2	119-4287	1	Shaft-Rear Roller, 27 Inch
7	302-5	2	Fitting-Grease
8	32151-62	4	Ring-Retaining
9	119-1868	4	Washer
10	119-4276	2	Roller-Tipper
50	114-5430	1	Roller Rebuild Kit
50:1	114-3717	2	Seal-Oil
50:2	112-5290	2	Bearing-Steel, Stainless
50:3	112-7494	4	Seal
50:4	114-3745	2	Nut-Lock, Bearing



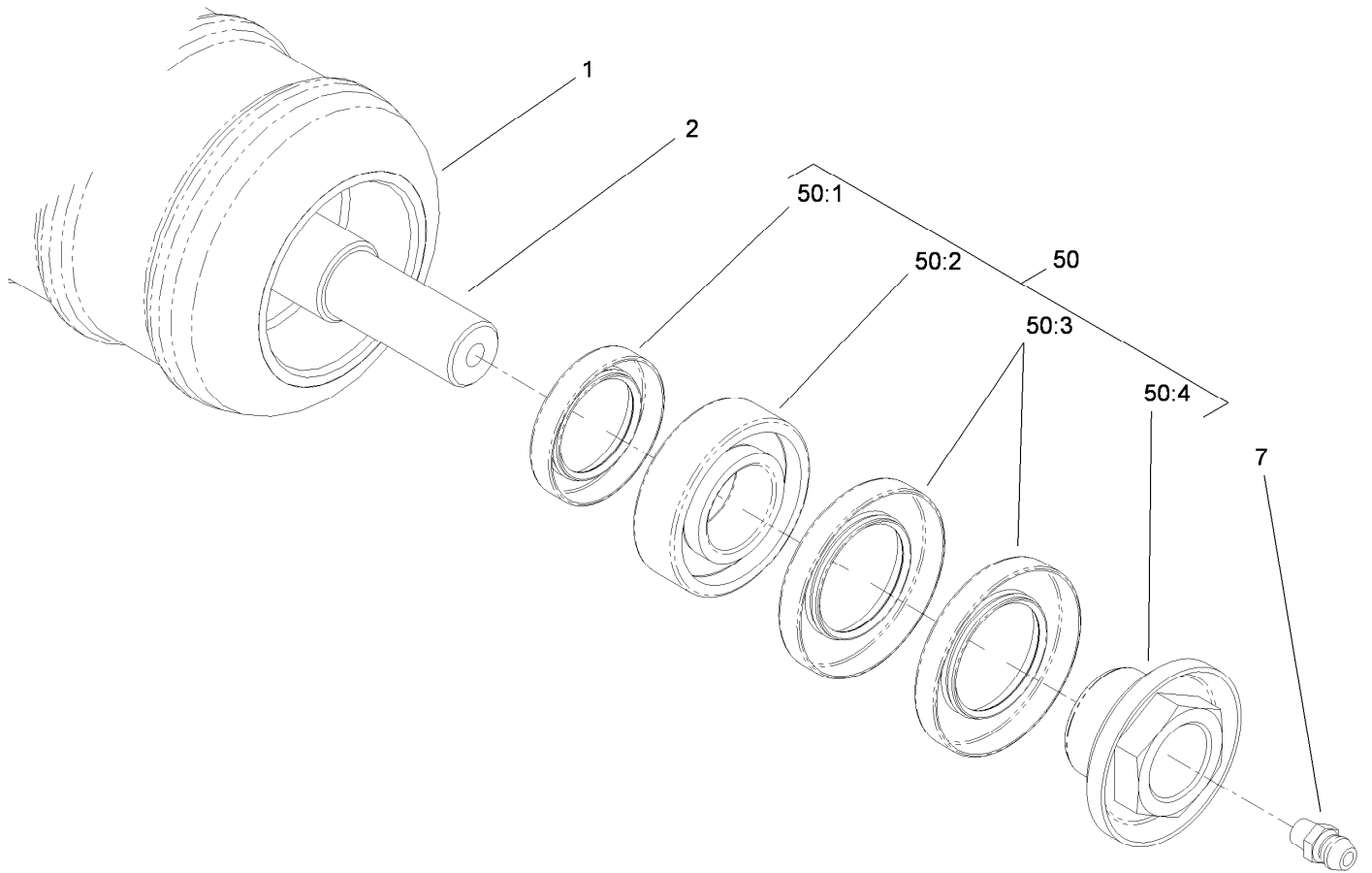
Optional Full Front Roller Assembly No. 114-9383

<i>Ref.</i>	<i>Part Number</i>	<i>Qty.</i>	<i>Description</i>
1	112-8916-03	1	Tube-Roller, Long
2	117-0957	1	Shaft-Roller, Wiehle
7	302-5	2	Fitting-Grease
50	114-5430	1	Roller Rebuild Kit
50:1	114-3717	2	Seal-Oil
50:2	112-5290	2	Bearing-Steel, Stainless
50:3	112-7494	4	Seal
50:4	114-3745	2	Nut-Lock, Bearing



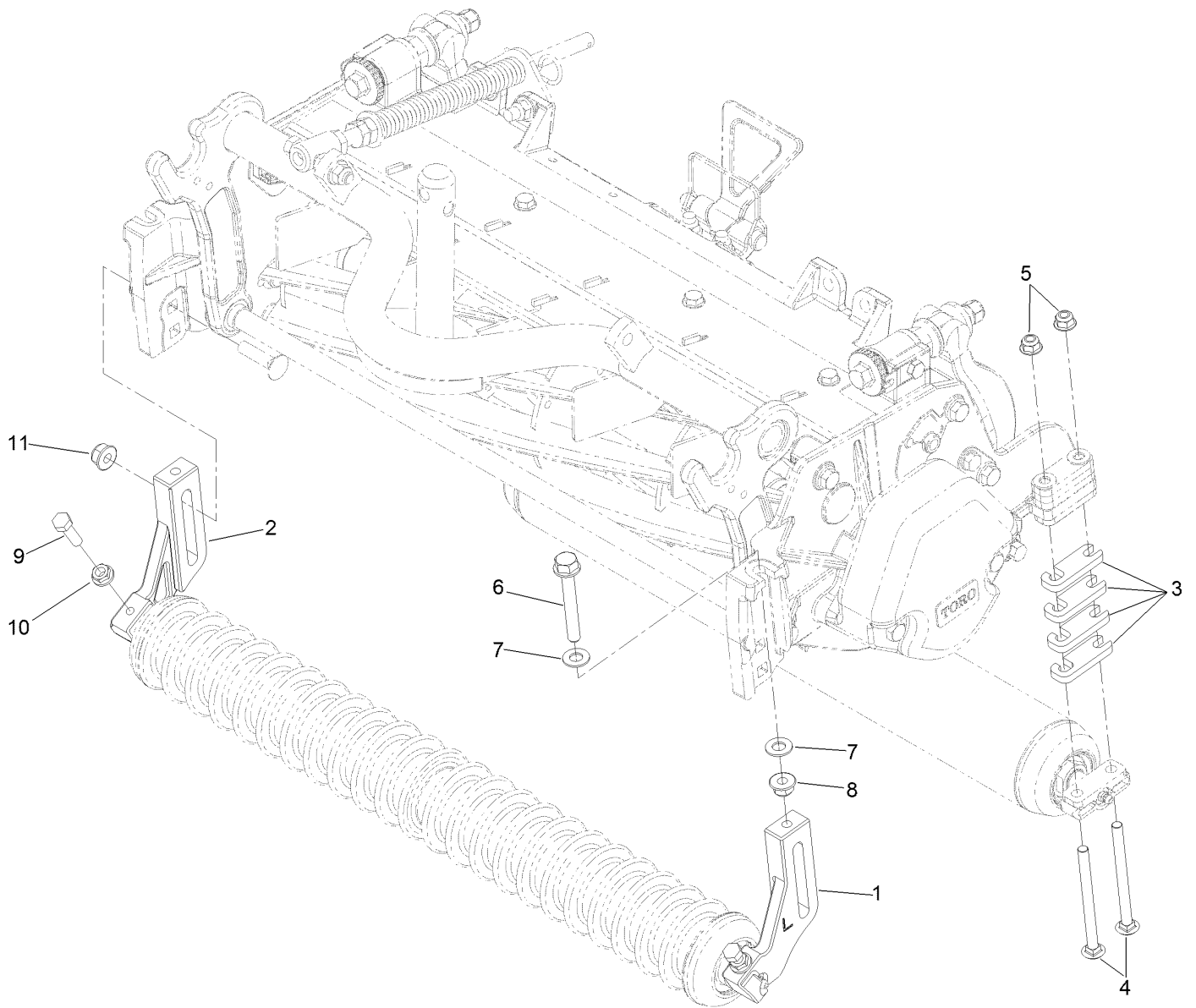
Wiehle Roller Assembly No. 117-0960

<i>Ref.</i>	<i>Part Number</i>	<i>Qty.</i>	<i>Description</i>
1	117-0959	1	Roller-Wiehle, Plastic
2	117-0957	1	Shaft-Roller, Wiehle
7	302-5	2	Fitting-Grease
50	114-5430	1	Roller Rebuild Kit
50:1	114-3717	2	Seal-Oil
50:2	112-5290	2	Bearing-Steel, Stainless
50:3	112-7494	4	Seal
50:4	114-3745	2	Nut-Lock, Bearing



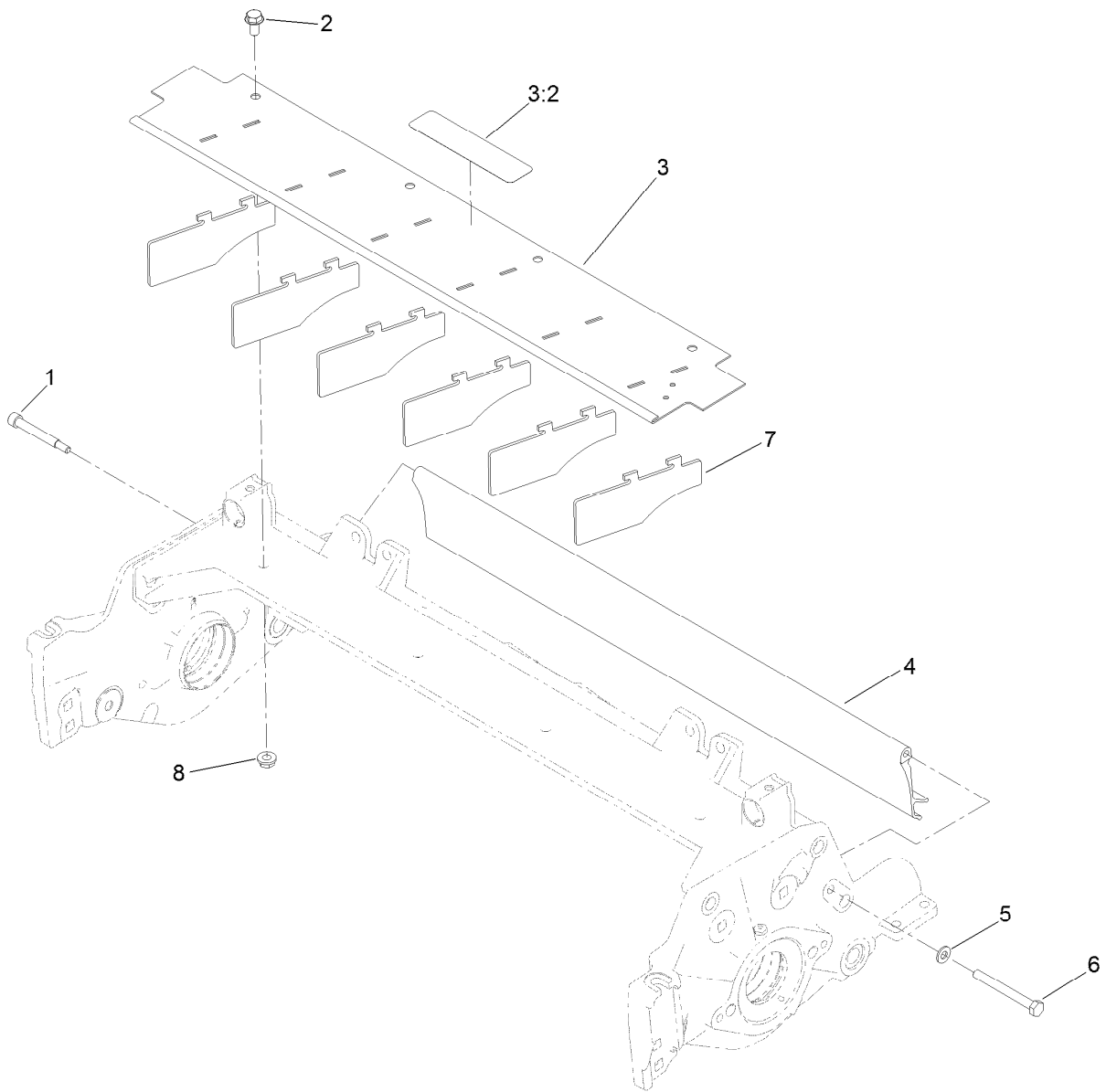
Optional Shoulder Roller Assembly No. 119-0630

<i>Ref.</i>	<i>Part Number</i>	<i>Qty.</i>	<i>Description</i>
1	119-0631	1	Roller-Shoulder, Plastic
2	117-0957	1	Shaft-Roller, Wiehle
7	302-5	2	Fitting-Grease
50	114-5430	1	Roller Rebuild Kit
50:1	114-3717	2	Seal-Oil
50:2	112-5290	2	Bearing-Steel, Stainless
50:3	112-7494	4	Seal
50:4	114-3745	2	Nut-Lock, Bearing



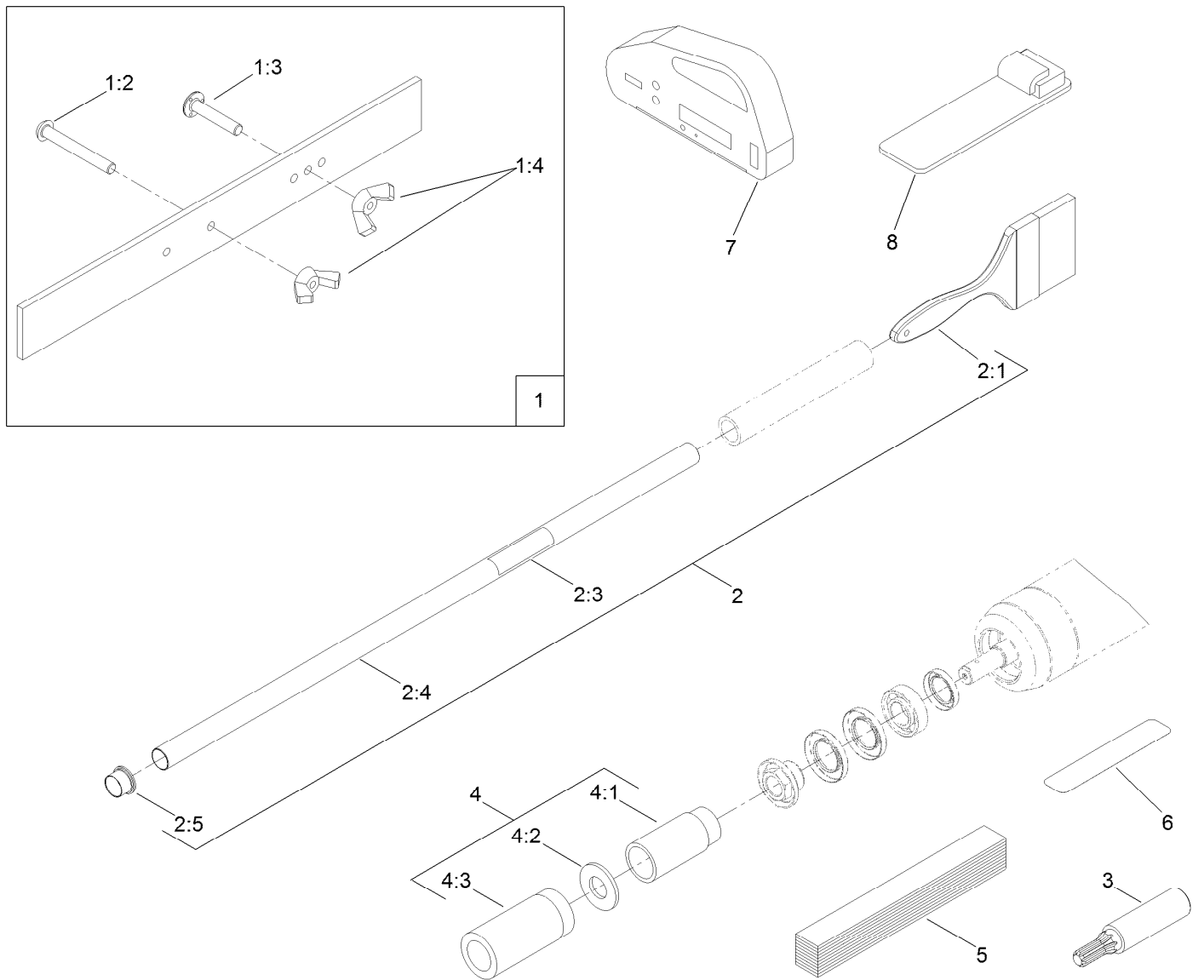
Optional High Height-of-Cut Assembly No. 137-0890

<i>Ref.</i>	<i>Part Number</i>	<i>Qty.</i>	<i>Description</i>
1	120-0404	1	Bracket-High HOC (LH)
2	120-0405	1	Bracket-High HOC (RH)
3	119-0626	8	Shim-Roller
4	106-9758	4	Screw-CARR
4	3230-30	4	Screw-CARR
5	104-8300	4	Nut-HF, NI
6	133-7572	2	Screw-HOC
7	48-9220	4	Washer-Plain
8	104-8301	4	Nut-HF, NI
9	322-16	2	Screw-HH
10	32128-20	2	Nut-HF
11	133-7570	2	Nut-Flange, NI



Shield Assembly

Ref.	Part Number	Qty.	Description
1	107-7773	1	Screw-HSH
2	3234-7	4	Screw-HHF
3	112-8942	1	Front Glass Shield ASM
3:2	137-9706	1	Decal-Warning
4	125-1997	1	Shield-Glass, Rear
5	3256-74	1	Washer-Flat
6	322-14	1	Screw-HH
7	110-1706	6	Deflector
8	32128-20	4	Nut-HF



Optional Tools Assembly

<i>Ref.</i>	<i>Part Number</i>	<i>Qty.</i>	<i>Description</i>	<i>Ref.</i>	<i>Part Number</i>	<i>Qty.</i>	<i>Description</i>
1	108-6715	1	Gauge Bar ASM	3	TOR4074	1	Adapter-Drive, Reel ●
1:2	32122-54	1	Screw-Head, Truss	4	115-0803	1	Roller Rebuild Tool Kit
1:3	108-6714	1	Stud-Weld	4:1	115-0852	1	Tool-Inner Seal
1:4	32103-3	2	Nut-Wing	4:2	107-8133	1	Washer-Flat
2	29-9100	1	Brush And Handle ASM	4:3	115-0853	1	Tool-Bearing/Outer Seals
2:1	36-4310	1	Brush	5	125-5610	1	Paper-Reel, Toro (10 Pack)
2:3	98-3206	1	Decal	6	125-5611	1	Shim-Toro Reel (0.002 Inch)
2:4	29-9080	1	Handle	7	131-6828	1	Indicator-Angle
2:5	2410-18	1	Cap-Plastic	8	131-6829	1	Mount-Indicator, Angle

● Obtain directly from K-Line Industries, Inc. (<https://klineind.com>)

Attachments and Accessories

For 03189 27-inch 8-Blade EdgeSeries DPA Cutting Unit Reelmaster 3100-D Traction Unit

Product Name	Model/Part
27in Verticutter Cutting Unit	03203
27in RRB Only Kit	03243
End Weight Kit (set Of 3)	03244
Turf Evaluator	04399
Basket Kit	03185
Brush and Handle Kit	29-9100
Universal Groomer Drive Kit, Reelmaster 3100-D EdgeSeries Cutting Units	03240
Universal Groomer Cartridge (27in)	03778
Broomer Kit (27in)	133-8222
Rear Roller Brush Kit with 7in Reel and Universal Groomer (27in)	03242
Roller Tipper Kit	119-0635
EdgeSeries+ 27in Fairway, 8 Blade, Low Drag, Radial Reel	137-8470
Rear Roller Scraper Kit	114-9368
Wiehle Scraper ASM	114-9372-03
Comb/Scraper Kit	114-9376
Full Front Roller Scraper ASM (3in dia)	114-9386-03
Shoulder Scraper ASM	114-9381-03
High Height-of-Cut Kit, Reelmaster 3000 or 5000 Series DPA Cutting Unit	137-0890
Rear Roller ASM (short)	119-4286
Cutting Unit Kickstand	119-8010-03
Full Front Roller ASM (3in dia)	114-9383
Roller Rebuild Tool Kit	115-0803
Plastic Shoulder Roller ASM	119-0630
Gauge Bar Assembly	108-6715
Brush-Roller (High HOC)	115-0838
HD Brush-Rear Roller (27 inch)	137-0844
Roller Rebuild Kit	114-5430
Trim/Heavy-Duty Collar Kit	119-0649
Fixed Plate (High HOC)	119-0646-03
Groomer/RRB Seal Kit	131-3233
Heavy-Duty DPA MVP Kit	120-7230
Rear Roller Adjustment Kit	125-0570
Toro Reel Paper (10 Pack)	125-5610
Toro Reel Shim (0.002in)	125-5611
Reel Drive Adapter	TOR4074
Angle Indicator	131-6828
Angle Indicator Mount	131-6829
Bedknife-std (fairway)	114-9388
Edgemax Bedknife	112-8910
Low HOC Extended Bedknife	120-1641
Bedknife-HD	114-9390
LH 7in Heavy Duty Low Drag Side Plate ASM	137-5982
RH 7in Heavy Duty Low Drag Side Plate ASM	137-5983

Notes:

Notes:



Count on it.