



1028 Power Shift Snowthrower

Model No. 38559—200000001 and Up

Model No. 38560—200000001 and Up

Parts Catalog

Ordering Replacement Parts

To order replacement parts, please supply: the part number, the quantity, and the description of each part desired.

Understanding Reference Numbers

Each identified part in an illustration has a reference number. The reference number for a part also appears in the parts list, along with other information about the part.

This catalog uses two special reference number formats, one to indicate parts in a service assembly and another to indicate the quantity of a given part in an illustration.

Service Assembly Reference Numbers

Parts in service assemblies have reference numbers in the form **a:b**. The **a** represents the reference number of the entire service assembly and the **b** represents a sequential number unique to each part within the service assembly.

For example, a wheel assembly might be identified by reference number **6**, the tire by **6:1**, the valve by **6:2**, and the wheel by **6:3**. When you order the assembly identified by reference number **6**, you receive all parts identified by reference numbers **6:1**, **6:2**, and **6:3**. However, you may also order any part individually.

Reference numbers of this type appear in illustrations and in part lists.

Reference Numbers Indicating Quantity

In an illustration, if a reference number indicates more than one part, the reference number has the form **nX y**. The **n** represents the quantity of the part, the **X** is the multiplication symbol, and the **y** represents the reference number.

For example, in an illustration, the reference number **2X 37** means that two of the parts identified by reference number **37** are indicated.

Contents

Description	Page	Description	Page
Housing and Engine Frame Assembly	3	Carburetor	16
Auger Gearcase Assembly	5	Engine Assembly	
Engine and Transmission Assembly	6	OHSK 100-221606A (Only on 38560)	17
Traction Gearcase Assembly	7	Engine Assembly	
Power Shift Control Assembly	9	OHSK 100-221607A (Only on 38559)	21
Handle and Control Assembly	11	Electric Starter	25
Headlamp Assembly	13	Recoil Starter (Optional)	26
Lower Traction Assembly	14	Recoil Starter	27

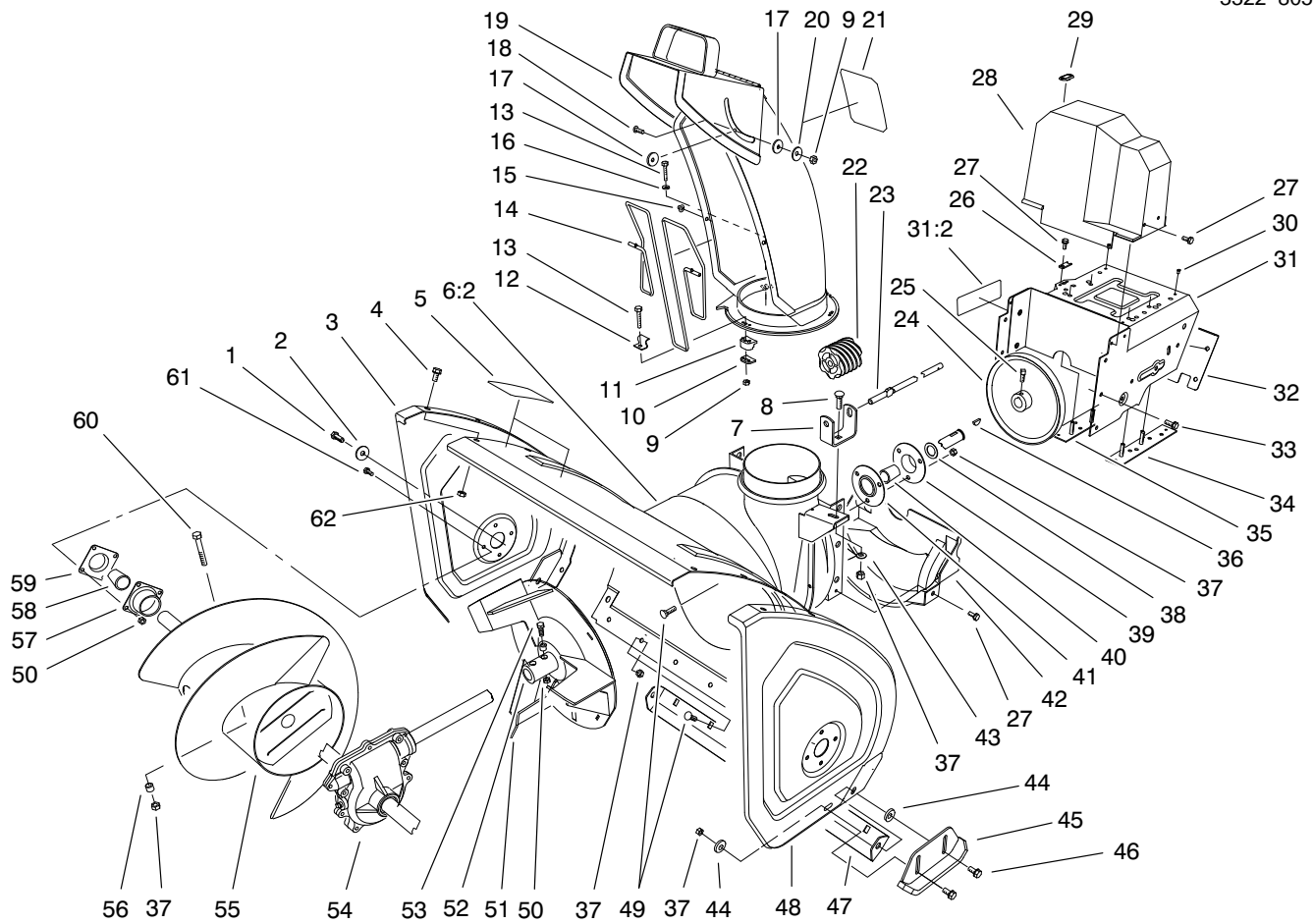
Accessories

Description	Model / Part No.	Description	Model / Part No.
Snow Cab	68-9500	230 Vac Electric Starter Kit	
Weight Kit		(model 38559 only)	38041
(Required with Snow Cab 68-9500)	74-1190	Tire Chain Kit (for std. axle, not for	
Light Kit (model 38560 only)	66-7941	use with differential kit)	63-3040
Drift Breaker	66-7970	Differential Kit	38038

Part Description Abbreviations

Part descriptions in this catalog may include the following abbreviations.

Abbreviation	Meaning	Abbreviation	Meaning
AR	as required	INC	incorporated
ASM	assembly	LH	left hand
CARR	carriage	NI	nylon insert
DEG	degrees	PPH	Phillips pan head
FH	flat head	PTH	Phillips truss head
GA	gauge	PTO	power take off
HF	hex flange	RH	right hand
HH	hex head	SFH	slotted fillister head
HHF	hex head flange	SHH	slotted hex head
HLH	hex lag head	SQH	square head
HJ	hex jam	SHWH	slotted hex washer head
HOC	height-of-cut	SPH	slotted pan head
HS	hex socket	SRH	slotted round head
HSBH	hex socket button head	STD	standard
HSFH	hex socket flat head	TAP	self tapping
HSH	hex socket head	TTH	Torx truss head
HWH	hex washer head	WH	wing head
HWHTF	hex washer head thread forming		

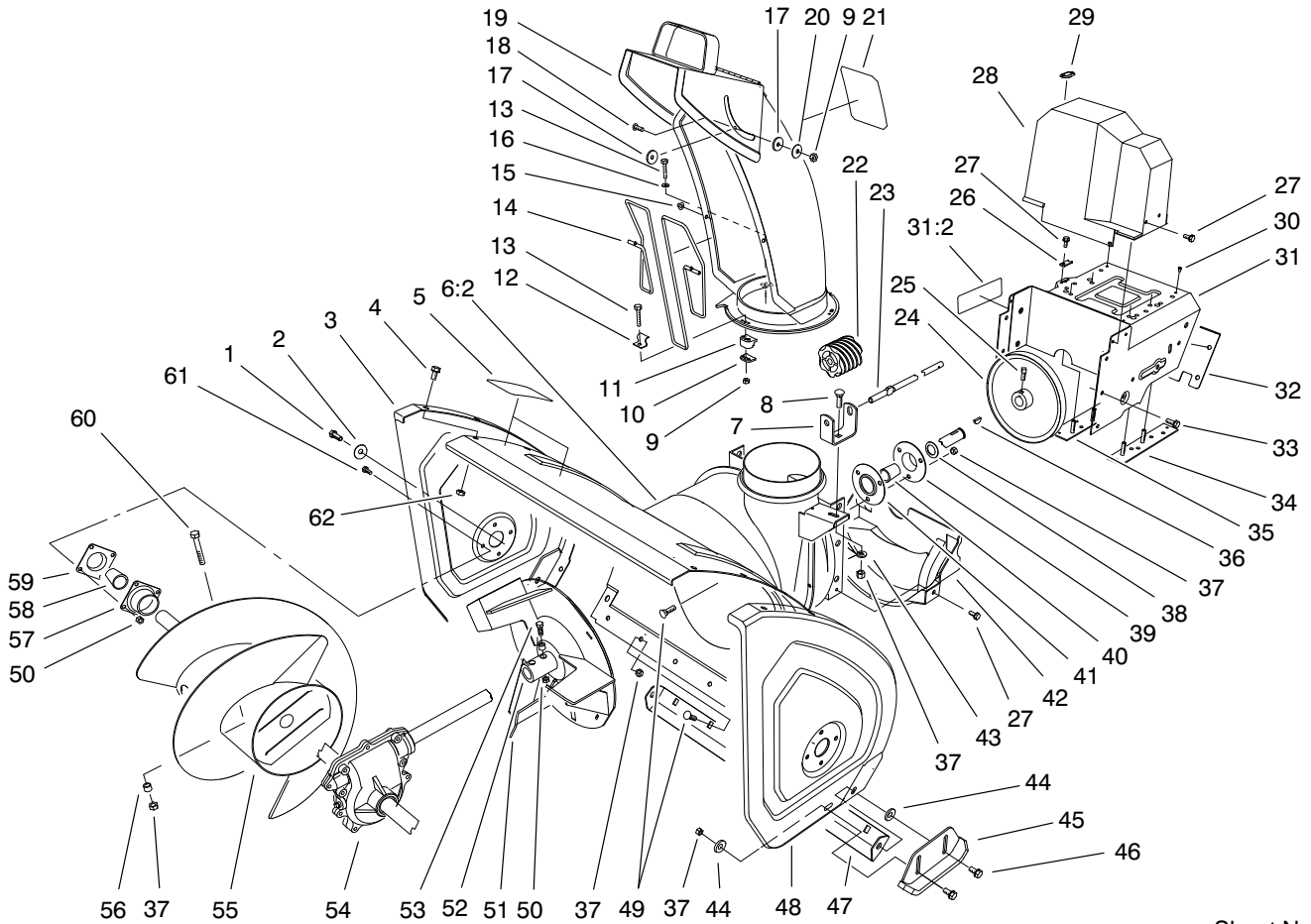


Sheet No.:2

Housing and Engine Frame Assembly

Ref. No.	Part No.	Qty.	Description
1	323-4	2	Screw-HH
2	3-0750	2	Washer
3	66-7821-01	1	Plate-Side, RH
4	3234-28	12	Screw-HHF
6	100-5454	1	Auger Housing ASM (only on: 38560)
6	100-5456	1	Auger Housing ASM (only on: 38559)
6:2	53-7670	1	Decal-Warning, Auger (only on: 38560)
6:2	94-2568	1	Decal-Warning, Auger (only on: 38559)
7	63-2180	1	Bracket-Worm, Chute
8	3230-2	1	Screw-CARR
9	3296-2	4	Nut-Lock
10	63-2670	3	Plate-Retainer, Chute
11	62-1430	3	Retainer-Chute
12	63-3130	1	Clip-Guard, Chute
13	3274-13	3	Screw-HSH
14	63-3020	1	Guard-Chute
15	3290-326	2	Nut-Push
16	3256-14	1	Washer-Flat
17	63-2900	2	Washer-Plastic
18	32122-32	1	Screw
19	95-2662	1	Chute (only on: 38559)

Ref. No.	Part No.	Qty.	Description
19	95-2661	1	Chute (only on: 38560)
19:2	94-8079	1	Decal-Danger (only on: 38560)
19:2	94-2558	1	Decal - Danger Discharge (only on: 38559)
20	3256-61	1	Washer-Flat
22	62-0820	1	Gear-Worm
23	62-1720	1	Rod-Chute, Lower
24	62-1300	1	Pulley-Impeller
25	3242-4	2	Screw-SQH Set
26	63-2300	1	Retainer-Cable
27	32144-4	6	Screw-HH
28	63-2080	1	Cover-Belt, Upper
29	63-3290	1	Cover-Cable
30	3269-23	4	Rivet-Pop
31	100-5451	1	Engine Frame ASM (only on: 38559)
31	100-5450	1	Engine Frame ASM (only on: 38560)
31:2	94-2575	1	Decal-Adjustment (only on: 38559)
31:2	66-6860	1	Decal-Warning (only on: 38560)
32	62-1440-01	1	Cover-Frame, Engine



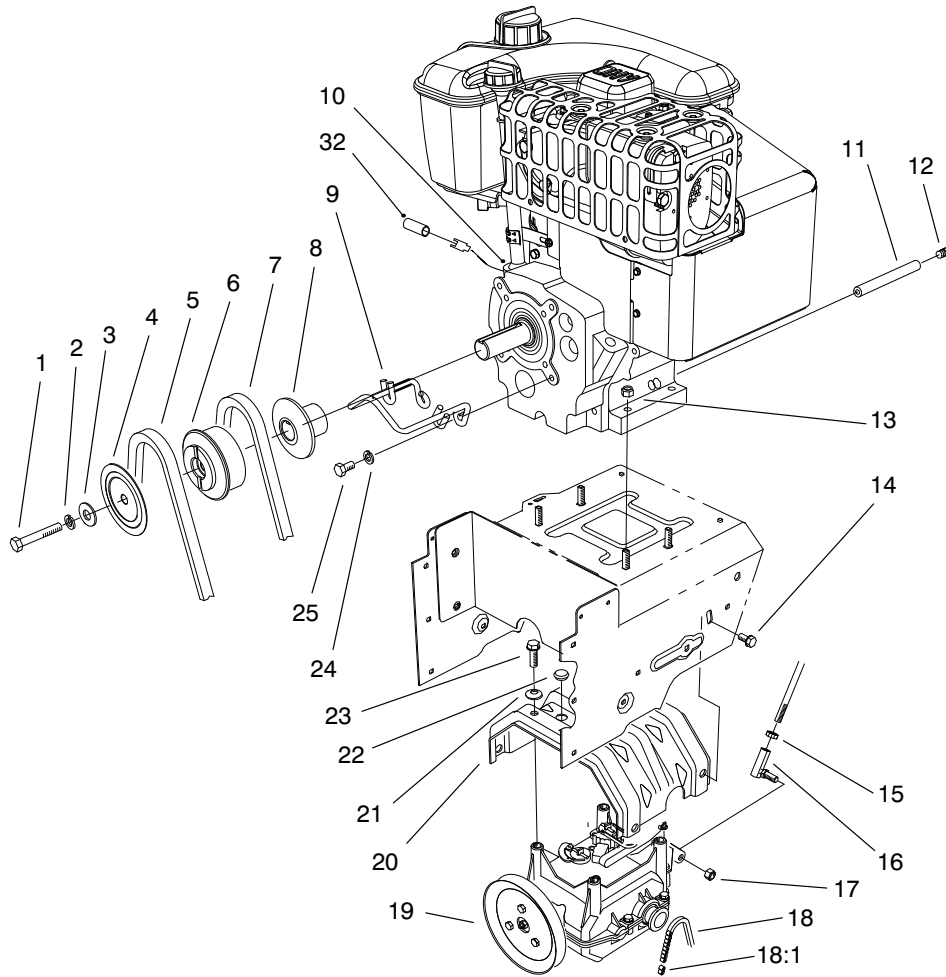
Sheet No.:2

Housing and Engine Frame Assembly (Continued)

Ref. No.	Part No.	Qty.	Description
33	32144-14	6	Screw-HWH
34	68-4110	1	LH Frame Plate ASM
35	68-4100	1	RH Frame Plate ASM
36	3257-23	1	Key-Woodruff
37	3296-29	15	Nut-Lock
38	252-80	1	Bearing-Thrust
39	26-6110	1	Flange-Cup, Bearing
40	63-3450	1	Bearing-Ball
41	26-6120	1	Flange-Cup, Bearing
42	68-8410	1	Cover-Belt, Lower
43	3256-23	1	Washer-Flat
44	52-2861	4	Washer
45	74-1440-01	2	Skid ASM
46	3234-5	4	Screw-HHF
47	66-7761-01	1	Blade-Scraper
48	66-7831-01	1	Plate-Side, LH
49	3230-23	10	Screw-CARR
50	3296-42	10	Nut-Lock
51	66-7920-03	1	Impeller-4 Blade
52	66-8010	2	Spacer-Hub, Impeller
53	321-44	2	Screw-HHF
54	74-1561	1	Auger Gearcase ASM
55	68-7451-03	1	Auger, RH
*55	68-7461-03	1	Auger, LH
56	25-5090	2	Spacer-Hub, Auger
57	20-0990	2	Bearing-Flange, Front

Ref. No.	Part No.	Qty.	Description
58	20-0980	2	Bearing
59	20-1000	2	Bearing-Flange, Rear
60	322-12	2	Screw-HH
61	321-3	8	Screw-HH
62	3296-47	12	Nut-Lock Ni

* Not illustrated



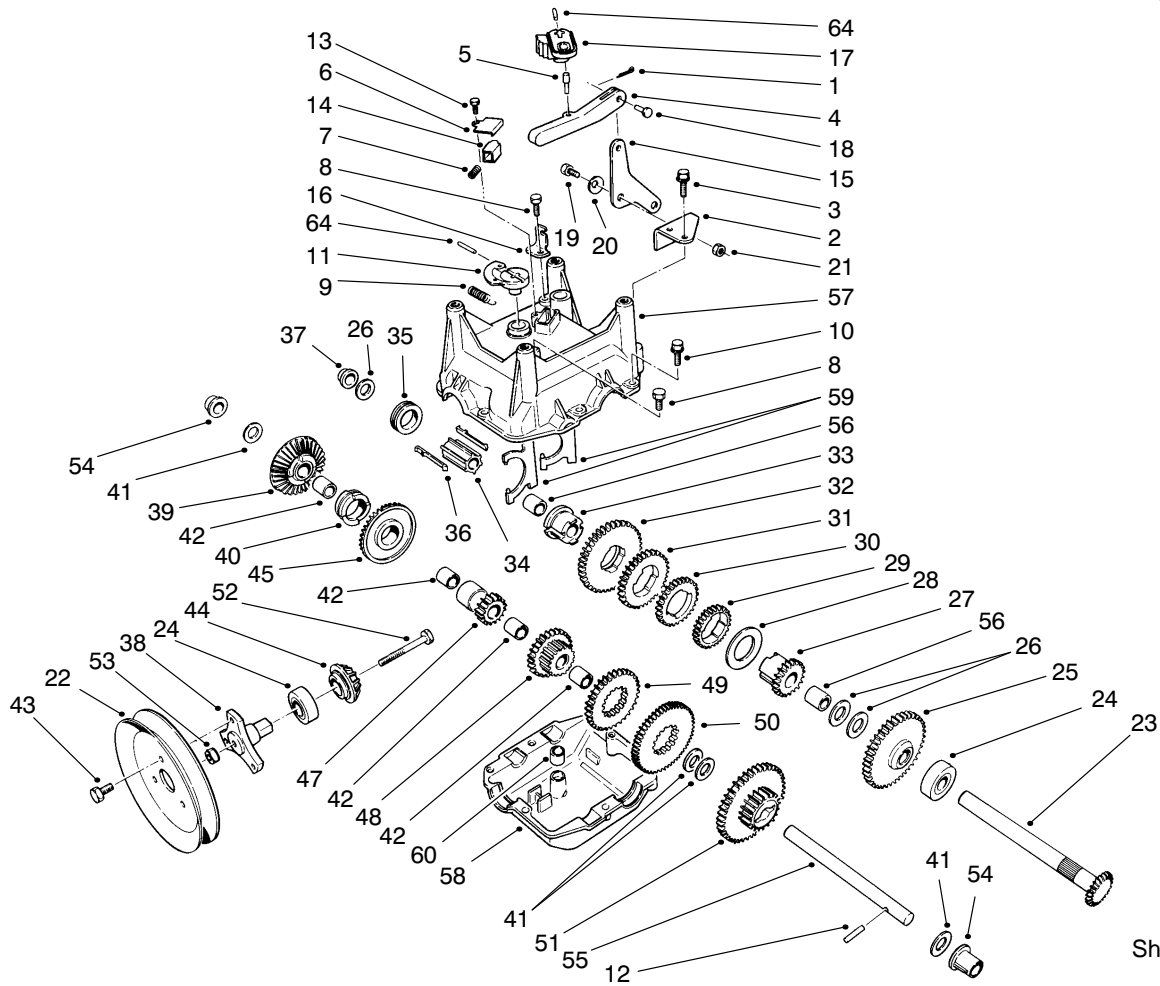
Sheet No.:3

Engine and Transmission Assembly

Ref. No.	Part No.	Qty.	Description
1	3212-8	1	Screw-HH
2	3253-6	1	Washer-Lock/Sp
3	3256-41	1	Washer-Flat
4	62-0940	1	Sheave-Half, Impeller
5	63-2962	1	Impeller Belt
6	62-0930	1	Pulley-Engine, Center
7	63-2951	1	Belt-Traction
8	62-0920	1	Sheave-Half, Traction
9	100-3432	1	Guide-Belt
10		1	Engine-10hp Tecumseh Ohsk 100-221607a (only on: 38559)
10		1	Engine-10hp Tecumseh Ohsk 100-221606a (only on: 38560)
*10:2	99-9300	1	Cord-Extention (only on: 38560)
11	289-34	1	Nipple-Pipe
12	288-2	1	Cap-Pipe
13	32128-20	4	Nut-HF
14	3234-7	4	Screw-HHF
15	3220-3	1	Nut-Jam
16	78-2920	1	Ball-Joint
17	3296-6	1	Nut-Lock Ni

Ref. No.	Part No.	Qty.	Description
18	63-2930	1	Chain
18:1	2710-15	1	Link-Offset
19	66-8030	1	Traction Gearcase ASM
20	63-2990-03	1	Transmission Frame ASM
21	3290-461	4	Washer-Spring
22	95-7947	2	Cap-Plug
23	11-0590	4	Screw-Thread Forming
24	3253-4	2	Washer-Lock/Sp
25	3210-3	2	Screw-HH
26	3256-41	2	Washer-Flat
27	2710-15	1	Link-Offset
32	94-2782	1	Cap-Wire, Lite (only on: 38560)

* Not illustrated

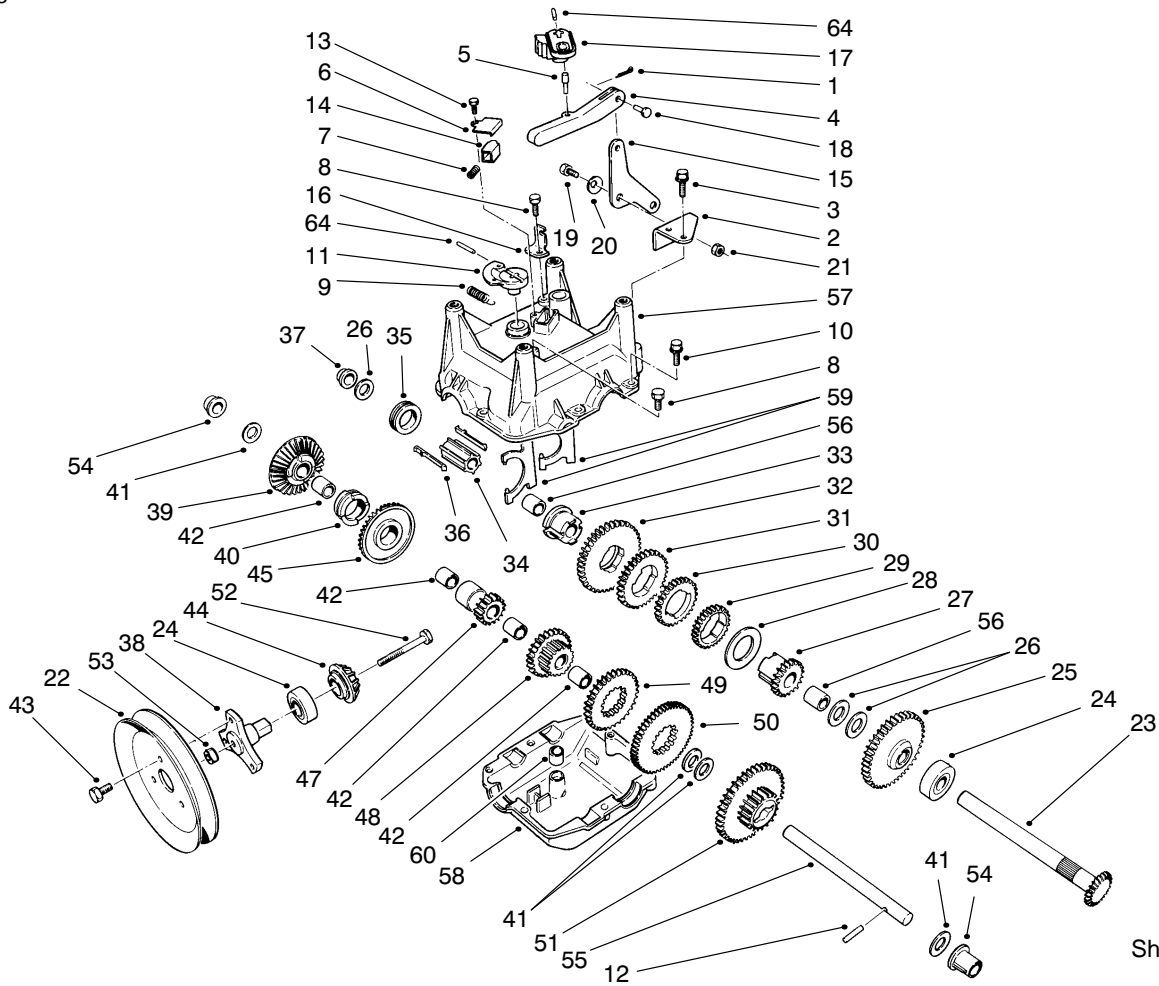


Sheet No.:A2
C-2850

Traction Gearcase Assembly No. 66-8030

Ref. No.	Part No.	Qty.	Description
1	3272-1	1	Pin-Cotter
2	62-1190	1	Bracket-Bellcrank
3	32104-95	2	Screw-HWH
4	62-0860	1	Link-Shift, Gear
5	63-2190	1	Pin-Link, Gear Shift
6	62-1690	1	Cover-Detent
7	63-2890	1	Spring-Detent
8	32144-4	2	Screw-HH
9	63-2920	1	Spring-Extension
10	32144-86	6	Screw-HH
11	62-0880	1	Lever
12	32121-106	1	Pin-Spring
13	32104-71	1	Screw-HWH
14	62-1020	1	Button-Detent
15	63-2600	1	Bellcrank
16	62-1740	1	Bracket-Cable, F/R
17	62-0870	1	Lever-Shift, Gear
18	283-3	1	Pin-Clevis
19	63-3410	1	Screw-Shoulder
20	3290-477	1	Washer-Curved
21	3296-42	1	Nut-Lock
22	62-1310	1	Traction-Sheave, Half
23	62-1080	1	Shaft-Output
24	38-7820	2	Bearing-Ball
25	62-0370	1	Gear, 41 T
26	252-59	3	Bearing-Thrust

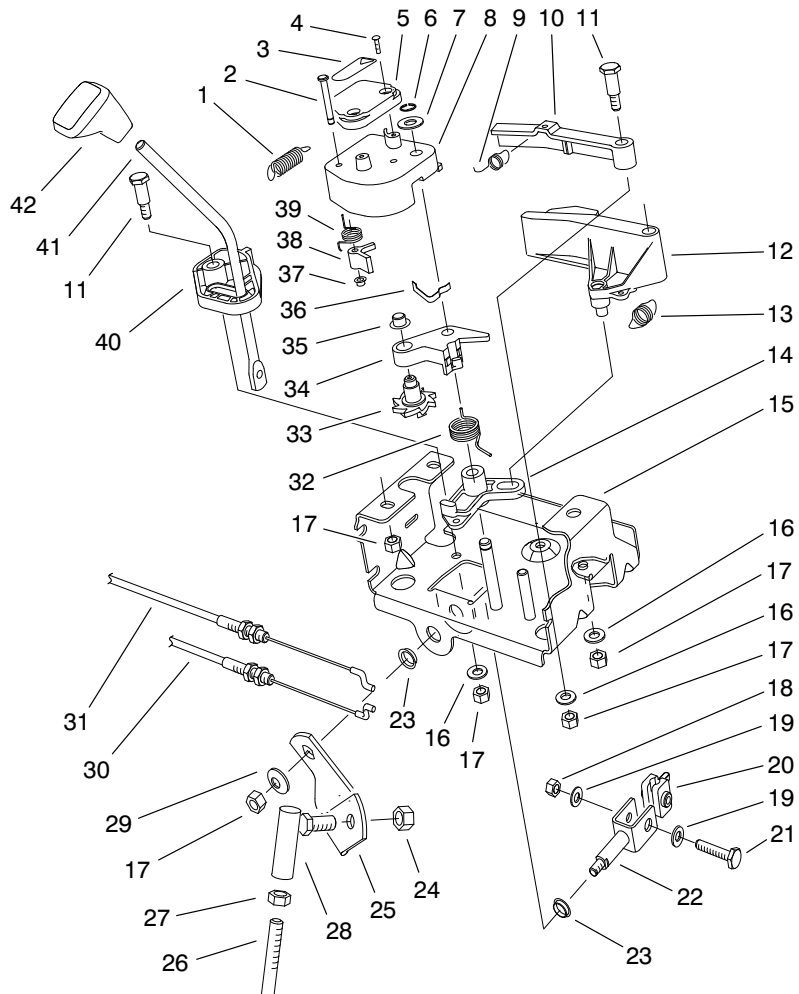
Ref. No.	Part No.	Qty.	Description
27	62-0340	1	Gear-Sleeve, 19 T
28	63-2280	1	Washer-Thrust
29	62-0250	1	Gear, 29 T
30	62-0200	1	Gear, 27 T
31	62-0220	1	Gear, 34 T
32	62-0240	1	Gear, 45 T
33	62-0320	1	Sleeve-Gear
34	68-4320	1	Sleeve-Shift
35	62-0430	1	Collar-Shift
36	62-0310	2	Key
37	62-1180	1	Bushing-Flange, Output
38	62-0380	1	Hub-Pulley
39	67-5860	1	Gear-Bevel, Rev, 36 T
40	67-5880	1	Collar-Shift
41	257-10	4	Washer-Thrust
42	62-1160	4	Bushing
43	12-3270	3	Screw
44	62-0350	1	Pinion-Bevel
45	67-5870	1	Gear-Bevel, 36 T
47	62-0500	1	Gear-Bevel, 15 T
48	68-4310	1	Gear, 26 T
49	62-0210	1	Gear, 33 T
50	62-0260	1	Gear, 51 T
51	62-0360	1	Gear, 19/41 T
52	321-15	1	Screw-HH



Sheet No.:A2
C-2850

Traction Gearcase Assembly No. 66-8030 (Continued)

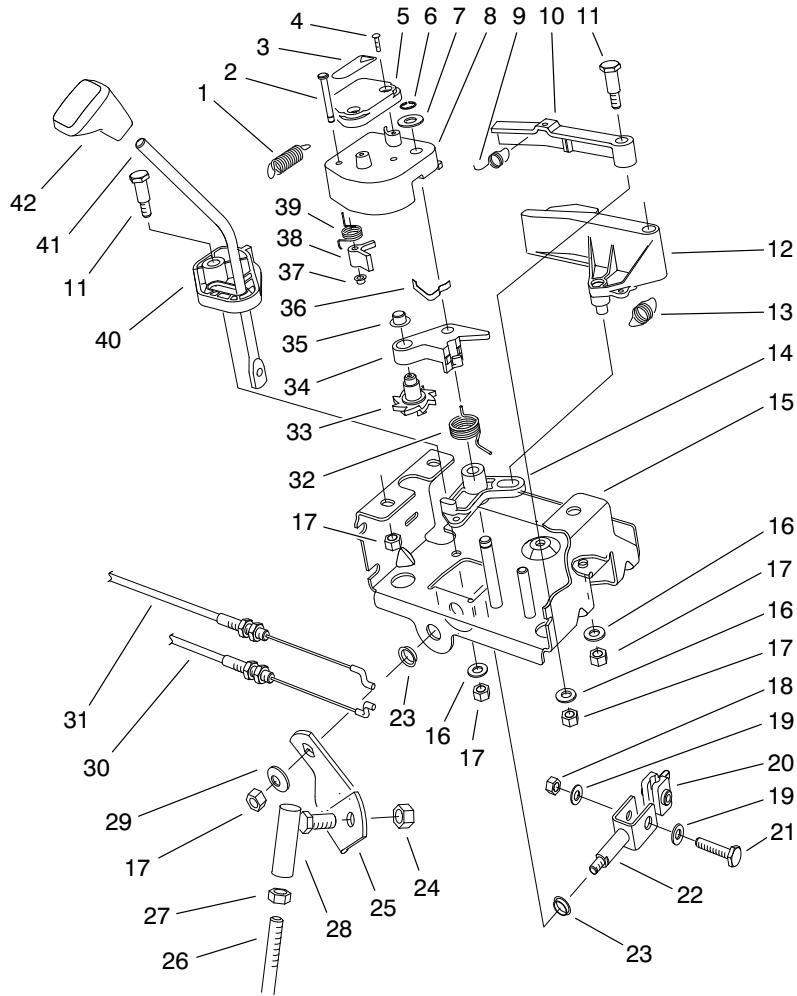
Ref. No.	Part No.	Qty.	Description	Ref. No.	Part No.	Qty.	Description
53	32128-32	1	Nut-Hex, Flange				
54	62-1170	2	Bushing-Intermediate				
55	62-0330	1	Shaft-Intermediate				
56	62-1350	2	Bushing-Output				
57	62-0490	1	Gearcase-Upper, Casing				
58	62-0480	1	Gearcase-Lower, Casing				
59	62-1040	2	Yoke-Shift				
60	29-9570	1	Bushing-Yoke				
64	32121-120	2	Pin-Spring				



Sheet No.:4

Power Shift Control Assembly

Ref. No.	Part No.	Qty.	Description	Ref. No.	Part No.	Qty.	Description
1	63-2220	1	Spring-Extension (only on: 38560)	14	62-1120	1	Lever-Reverse, Switch (only on: 38560)
2	63-2610	1	Pin-Tang (only on: 38560)	15	63-2150-03	1	Control Frame ASM (only on: 38560)
3	63-2480	1	Decal-Number 2 (only on: 38560)	16	3256-23	3	Washer-Flat (only on: 38560)
4	94-6961	2	Screw (only on: 38560)	17	3296-29	7	Nut-Lock (only on: 38560)
5	62-1140	1	Cover-Latch (only on: 38560)	18	3296-42	1	Nut-Lock (only on: 38560)
6	32120-46	1	Ring-Retaining (only on: 38560)	19	3256-1	2	Washer-Flat (only on: 38560)
7	257-9	1	Washer-Thrust (only on: 38560)	20	67-9250	1	Retainer-Rod, Shift (only on: 38560)
8	62-1100	1	Lever Latch (only on: 38560)	21	321-9	1	Screw-HH (only on: 38560)
9	63-2240	1	Spring-Extension (only on: 38560)	22	66-7730	1	Clevis ASM (only on: 38560)
10	62-1700	1	Lever-Lockout (only on: 38560)	23	256-296	2	Bushing (only on: 38560)
11	63-2650	2	Screw-Shoulder (only on: 38560)	24	3296-6	1	Nut-Lock Ni (only on: 38560)
12	62-1130	1	Lever-Reverse (only on: 38560)	25	63-2630	1	Bracket-Shift (only on: 38560)
13	63-2230	1	Spring-Extension (only on: 38560)				

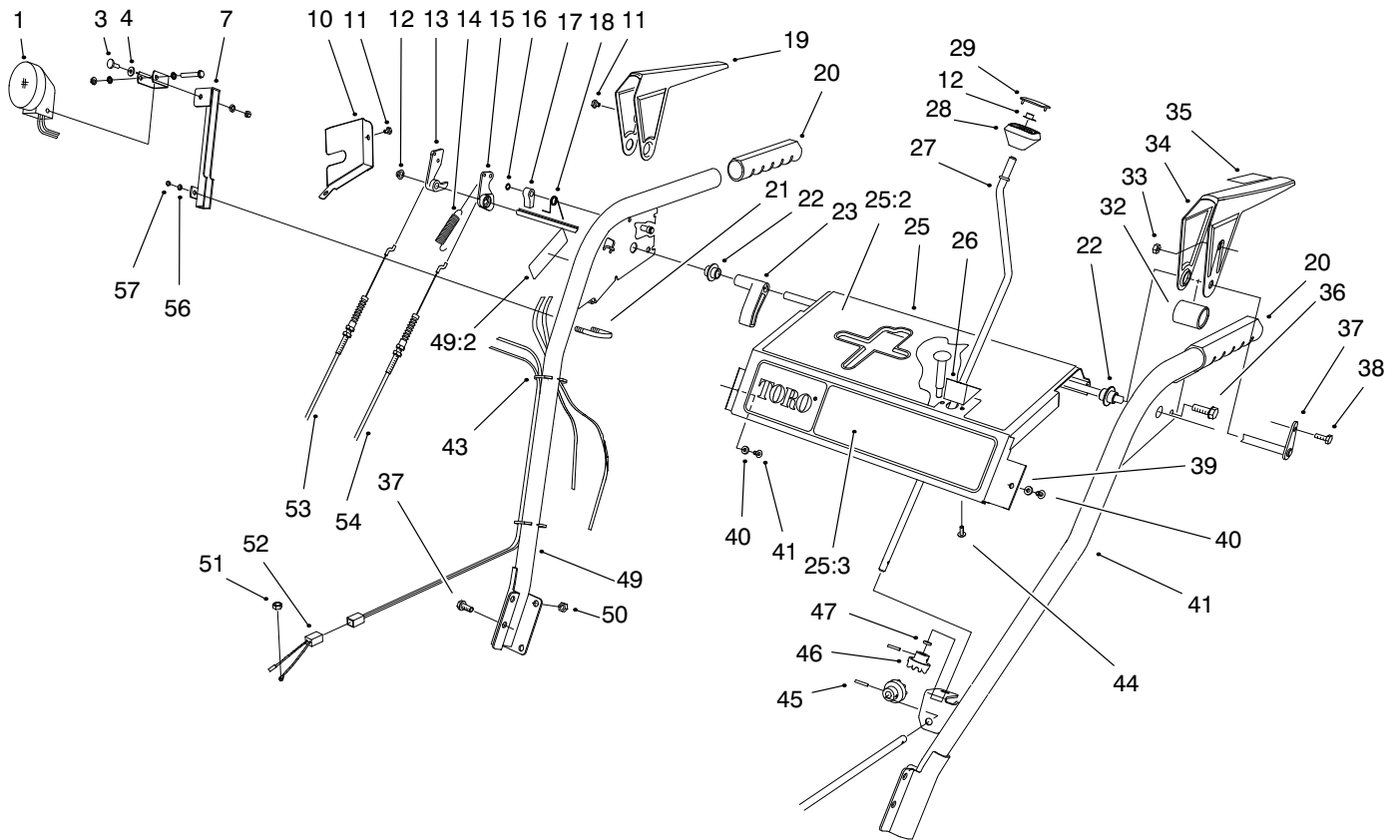


Sheet No.:4

Power Shift Control Assembly (Continued)

Ref. No.	Part No.	Qty.	Description
26	63-2830	1	Rod-Bent Shift, Lower (only on: 38560)
27	3220-3	1	Nut-Jam (only on: 38560)
28	78-2920	1	Ball-Joint (only on: 38560)
29	3290-456	1	Washer-Belleville (only on: 38560)
30	63-2210	1	Cable-Gearbox (only on: 38560)
31	63-2200	1	Cable-Arm, Latch (only on: 38560)
32	63-2270	1	Spring-Torsion (only on: 38560)
33	62-0170	1	Wheel-Index (only on: 38560)
34	62-1110	1	Lever-Wheel, Index (only on: 38560)
35	3290-320	1	Retainer-Push On (only on: 38560)
36	62-1710	1	Spring-Flat (only on: 38560)
37	3290-422	1	Nut-Push (only on: 38560)

Ref. No.	Part No.	Qty.	Description
38	62-0180	1	Tang-Index (only on: 38560)
39	62-1650	1	Spring-Torsion (only on: 38560)
40	62-1470	1	Base-Lockout (only on: 38560)
41	67-9240	1	Rod-Shift (only on: 38560)
42	62-1290	1	Knob-Shift (only on: 38560)

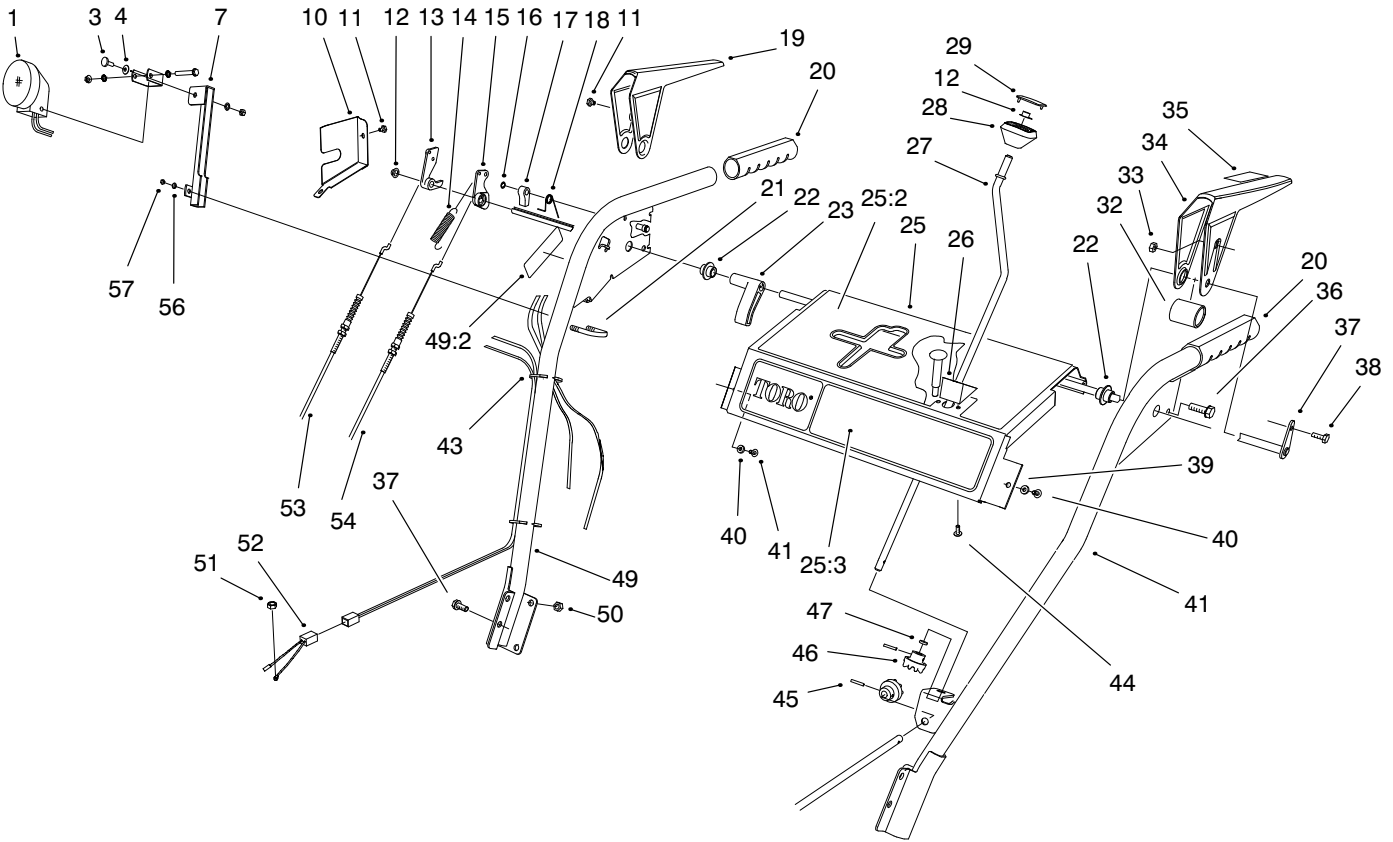


Sheet No.:5

Handle and Control Assembly

Ref. No.	Part No.	Qty.	Description
1	54-9871	1	Headlamp ASM (only on: 38559)
3	3231-2	1	Screw-CARR (only on: 38559)
4	3256-26	1	Washer-Flat (only on: 38559)
7	68-7110-03	1	Mount-Light (only on: 38559)
10	63-2170-03	1	Cover-Lock, Lever
11	2210-250	3	Screw-HH
12	3290-320	2	Retainer-Push On
13	62-0300	1	Tang-Locking
14	88-0810	1	Spring-Extension
15	62-0290	1	Cam-Release
16	32151-66	1	E-Ring-Retainer
17	62-0280	1	Latch-Locking
18	63-2910	1	Spring-Torsion
19	62-1050-03	1	Lever-Traction, RH
20	66-7850	2	Grip-Handle
21	68-7140	1	U-Bolt (only on: 38559)
22	62-1070	2	Bushing-Lever
23	62-1640	1	Lever-Trip
25	100-3577	1	Control Panel ASM (only on: 38559)

Ref. No.	Part No.	Qty.	Description
25	100-3576	1	Control Panel ASM (only on: 38560)
25:2	99-3229	1	Decal-Control (only on: 38559)
25:2	99-3230	1	Decal-Top, Panel (only on: 38560)
25:3	100-3439	1	Decal - Front Panel (only on: 38559)
25:3	100-3336	1	Decal - Front Panel (only on: 38560)
26	62-1490	1	Plate-Guide
27	63-2160	1	Crank-Rod, Chute
28	62-1320	1	Knob-Control, Chute
29	62-1520	1	Cover-Knob
32	63-3380	1	Spacer-Lever, Traction
33	3296-2	1	Nut-Lock
34	62-1060-03	1	Lever-Traction, LH
35	63-3050	1	Decal-Lever (only on: 38560)
36	32144-14	6	Screw-HWH
37	63-2030	1	Cross Rod ASM
38	3290-359	1	Screw-HWH
39	3256-14	2	Washer-Flat
40	32104-76	2	Screw-Acorn Slot
41	66-8091-03	1	LH Handle ASM

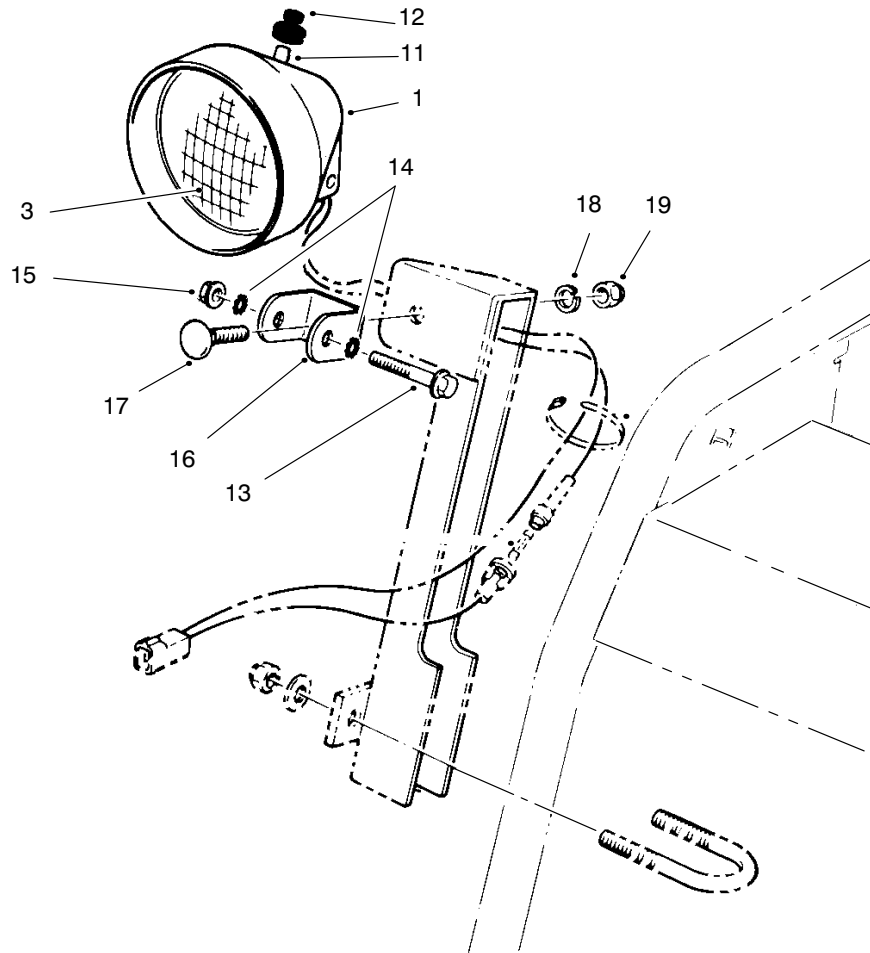


Sheet No.:5

Handle and Control Assembly (Continued)

Ref. No.	Part No.	Qty.	Description
43	3290-378	2	Tie-Cable (only on: 38560)
44	94-6961	2	Screw (only on: 38560)
45	32121-50	2	Pin-Spring (only on: 38560)
46	62-1460	2	Gear-Universal (only on: 38560)
47	62-1230	1	Washer-Rubber (only on: 38560)
49	100-3597	1	Handle ASM (only on: 38560)
49	100-3598	1	Handle ASM (only on: 38559)
49:2	66-6860	1	Decal-Warning (only on: 38560)
49:2	94-2575	1	Decal-Adjustment (only on: 38559)
50	3296-47	4	Nut-Lock Ni (only on: 38560)
51	3217-6	1	Nut-Hex (only on: 38559)
52	54-9810	1	Wire Assembly (only on: 38559)
53	63-2700	1	Cable-Impeller (only on: 38560)

Ref. No.	Part No.	Qty.	Description
54	63-2710	1	Cable-Traction (only on: 38560)
56	3256-23	2	Washer-Flat (only on: 38559)
57	3296-29	4	Nut-Lock (only on: 38559)

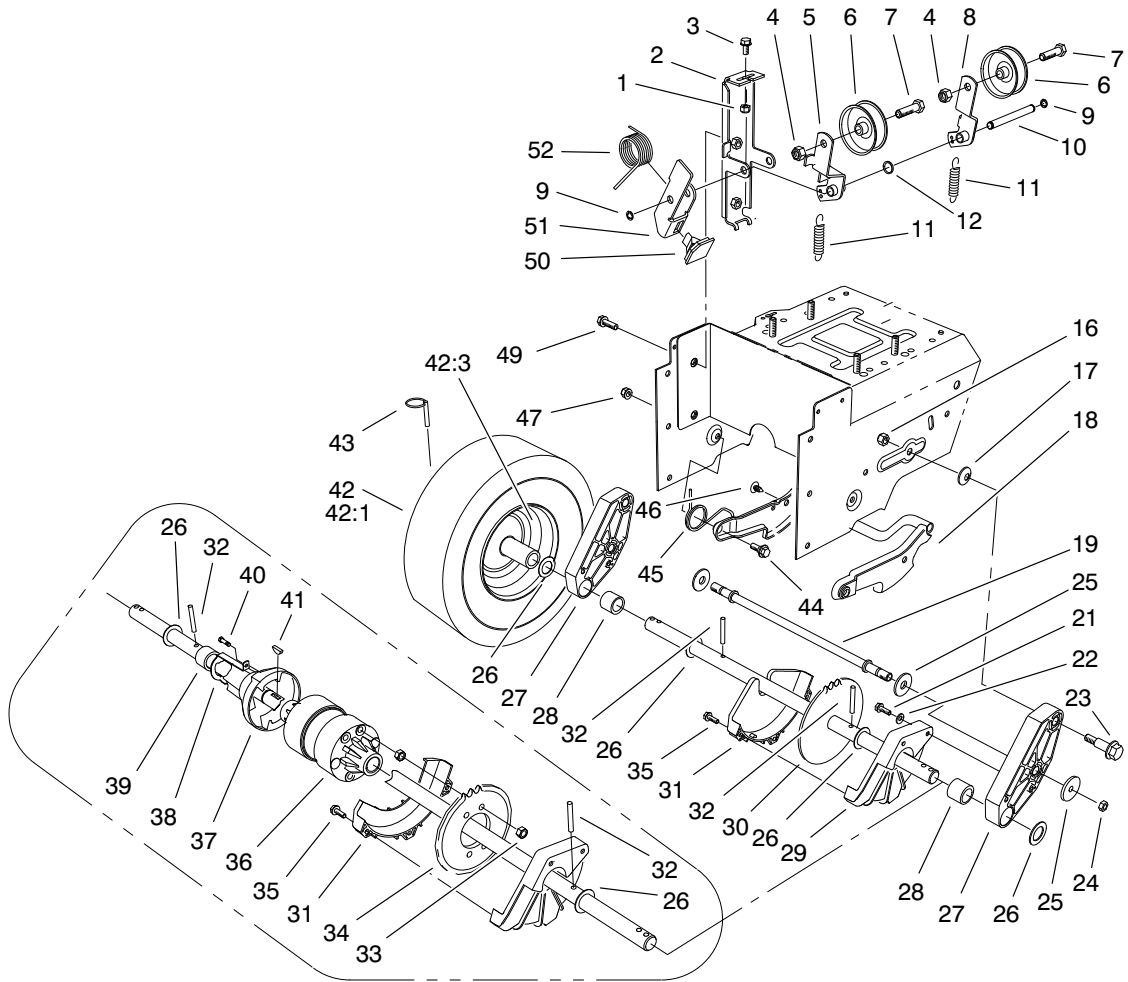


Sheet No.:A3
C-2851

Headlamp Assembly No. 54-9871 (only on: 38559)

Ref. No.	Part No.	Qty.	Description
1	218-552	1	Bucket-Headlamp (only on: 38559)
3	218-16	1	Beam-Sealed (only on: 38559)
11	218-553	1	Switch ASM (only on: 38559)
12	92-6033	1	Boot-Switch (only on: 38559)
13	322-13	1	Screw-HH (only on: 38559)
14	3255-8	2	Washer-Lock/Ext (only on: 38559)
15	32128-35	1	Nut-Hex, Flange (only on: 38559)
16	218-556	1	Bracket (only on: 38559)
17	3231-22	1	Screw-CARR (only on: 38559)
18	3253-21	1	Washer-Lock/Sp (only on: 38559)
19	3217-7	1	Nut-Hex (only on: 38559)

Ref. No.	Part No.	Qty.	Description



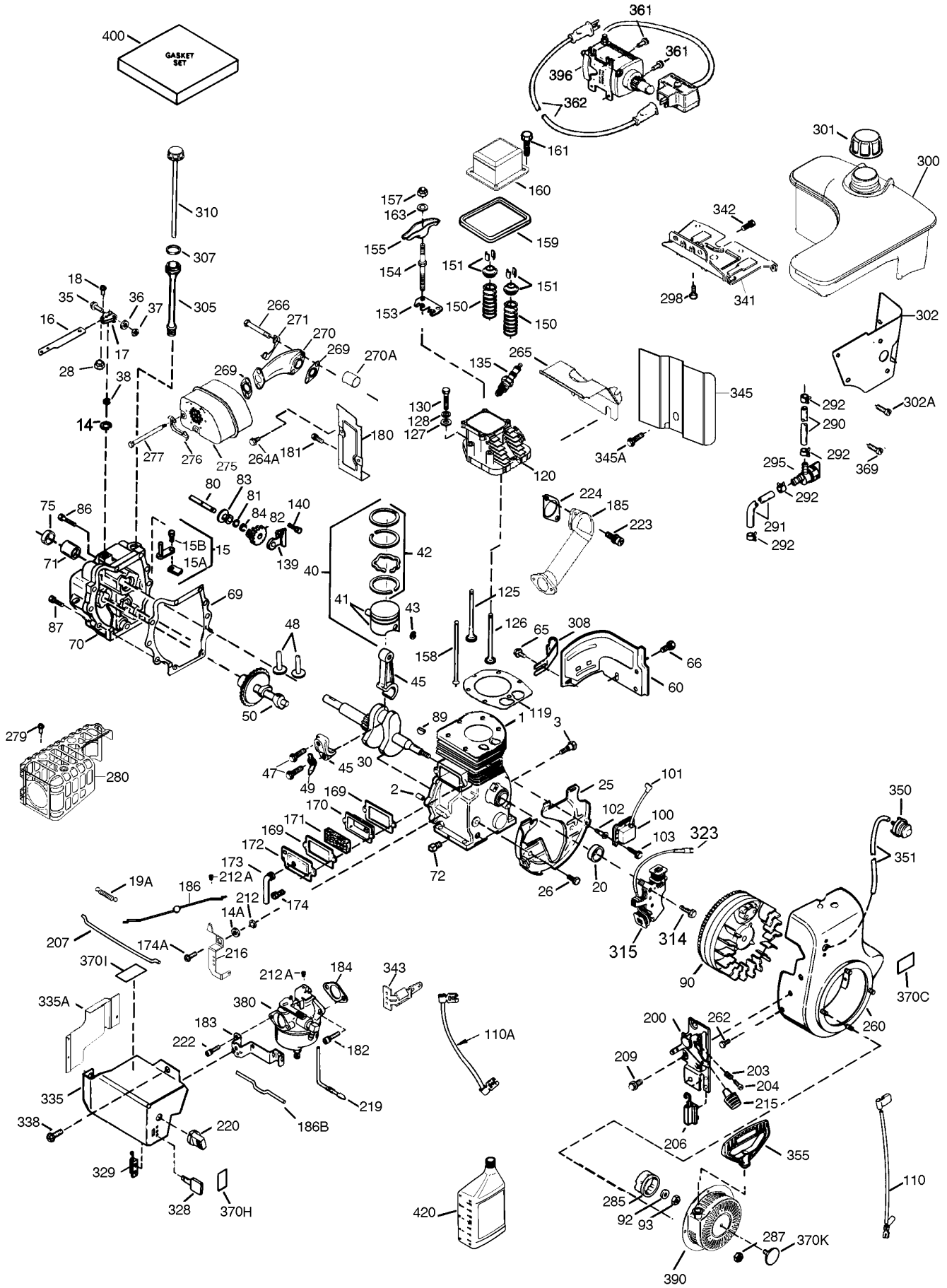
Sheet No.:6

Lower Traction Assembly

Ref. No.	Part No.	Qty.	Description
1	3296-42	1	Nut-Lock
2	63-2850	1	Idler Arm Bracket ASM
3	3234-13	1	Screw-HHF
4	3296-59	2	Nut-Lock Ni
5	93-8046	1	Impeller Idler Arm ASM
6	3-4244	2	Pulley-Idler
7	323-7	2	Screw-HH
8	93-8045	1	Traction Idler Arm ASM
9	32120-46	2	Ring-Retaining
10	62-0970	1	Pin-Idler
11	63-2870	2	Spring-Extension
12	3256-38	1	Washer-Flat
16	3296-39	2	Nut-Lock Ni
17	3290-461	2	Washer-Spring
18	62-0470-03	1	Latch ASM
19	66-7720	1	Rod-Latch
21	32144-4	2	Screw-HH
22	3256-1	2	Washer-Flat
23	62-1330	2	Bolt-Shoulder
24	3296-23	2	Nut-Lock Ni
25	63-3340	4	Washer-Support
26	252-80	4	Bearing-Thrust
27	66-7740	2	Pivot Arm ASM
28	63-2250	2	Bushing-Axle

Ref. No.	Part No.	Qty.	Description
29	62-1010	1	Guard-Chain, LH
30	63-2112	1	Axle (only on: 38559)
31	68-9310	1	Guard-Chain (only on: 38560)
31	62-1000	1	Guard-Chain, RH (only on: 38559)
32	32121-9	2	Pin-Spring
33	3296-47	6	Nut-Lock Ni (only on: 38560)
34	68-9270	1	Sprocket, 32 T (only on: 38560)
35	94-4496	3	Screw-Pan Hd
36	68-9200	1	Differential Assembly (only on: 38560)
37	68-9250	1	Coupling-Differential (only on: 38560)
38	68-9260	1	Locknut-Spring (only on: 38560)
39	95-7930	1	Spacer (only on: 38560)
40	32144-73	1	Screw-HWH (only on: 38560)
41	3257-41	2	Key-Woodruff (only on: 38560)
42		2	Wheel & Tire Assembly
42:1	231-123	1	Tire

Engine Tecumseh OHSK100-221606A (Only on: 38560)



Engine Tecumseh OHSK100-221606A (Only on: 38560)

Ref. No.	Part No.	Qty.	Description	Ref. No.	Part No.	Qty.	Description
1	37251	1	Cylinder (Incl. Ref.# 2, 20 & 72)	89	32589	1	Flywheel Key
2	27652	2	Dowel Pin	90	611093	1	Flywheel (W/Ring Gear)
3	650820	2	Screw	92	650880	1	Lock Washer
14	28277	1	Washer	93	650881	1	Flywheel Nut
14A	651057	1	Washer	100	35135	1	Solid State Ignition
15	30699C	1	Governor Rod (Incl. Ref.#15A & 15B)	101	610118	1	Spark Plug Cover
15A	30700	1	Yoke-Governor	102	651024	2	Solid State Mounting Stud
15B	650494	1	Screw	103	651007	2	Screw-Torx
16	37255	1	Governor Lever	110	35187	1	Ground Wire
17	29916	1	Governor Lever Clamp	110A	37047	1	Ground Wire
18	651028	1	Screw - Torx	119	37256	1	Cylinder Head Gasket
19	36281	1	Extension Spring	120	37258	1	Cylinder Head
20	35319	1	Oil Seal	125	36934	1	Exhaust Valve (Std.)
25	36460	1	Blower Housing Baffle	125	36936	1	Exhaust Valve (1/32)
26	650561	2	Screw	126	36935	1	Intake Valve (Std.)
28	30322	1	Lock Nut	126	36937	1	Intake Valve (1/32)
30	37272	1	Crankshaft	127	650691	6	Washer
35	29826	1	Screw	128	650690	6	Belleville Washer
36	29918	1	Lock Washer	130	650697A	6	Screw
37	29216	1	Lock Nut	135	34645	1	Spark Plug (RN4C)
38	29642	1	Retaining Ring	139	33369	1	Governor Gear Bracket
40	40011	1	Piston, Pin & Ring Set (Std.)	140	650836	1	Screw
40	40012	1	Piston, Pin & Ring Set (.010)	150	33507	2	Valve Spring
41	40009	1	Piston & Pin Ass'y (Std.) (Incl. Ref.#43)	151	33508	2	Valve Spring Keeper
41	40010	1	Piston & Pin Ass'y (.010) (Incl. Ref.#43)	153	35949	1	Push Rod Guide
42	40013	1	Ring Set (Std.)	154	650945	2	Rocker Arm Stud
42	40014	1	Ring Set (.010)	155	35950	2	Rocker Arm
43	27888	2	Piston Pin Retaining Ring	157	650947	2	Jam Nut
45	36897	1	Connecting Rod ASM (Incl. Ref.# 47 & 49)	158	35466	2	Push Rod
47	651033	2	Connecting Rod Bolt	159	35952	1	Rocker Arm Cover Gasket
48	35313	2	Valve Lifter	160	35953A	1	Rocker Arm Cover
49	63896	1	Oil Dipper	161	30063	4	Screw-Torx
50	35682A	1	Camshaft (MCR)	163	650890	2	Lock Washer
60	35316A	1	Blower Housing Extension	169	27896A	2	Valve Cover Gasket
65	30200	1	Screw	170	28423	1	Breather Body
66	30063	1	Screw - Torx	171	28424	1	Breather Element
69	35262A	1	Cylinder Cover Gasket	172	28425	1	Valve Cover
70	37273	1	Cylinder Cover (Incl. Ref.#71,75 & 80)	173	35350	1	Breather Tube
71	35377	1	Crankshaft Bushing	174	650128	2	Screw
72	27642	1	Oil Drain Plug	180	35954	1	Blower Housing Extension
75	35319	1	Oil Seal	181	30200	2	Lock Nut
80	31845	1	Governor Shaft	182	650517	2	Screw-Torx
81	30590A	1	Washer	183	34583A	1	Choke Bracket
82	35378	1	Governor Gear ASM	184	33263	1	Carb. To Intake Pipe Gasket
83	30588A	1	Governor Spool	185	37085	1	Intake Pipe
84	29193	1	Retaining Ring	186	37261	1	Governor Link
86	650833	7	Screw	186B	36653	1	Choke Spring
87	650832	1	Screw	200	35702	1	Control Bracket (Incl. Ref.#203,204 & 206)
				203	31342	1	Compression Spring
				204	651029	1	Screw - Torx
				206	610973	1	Terminal
				207	37262	1	Choke Link
				209	650821	2	Screw

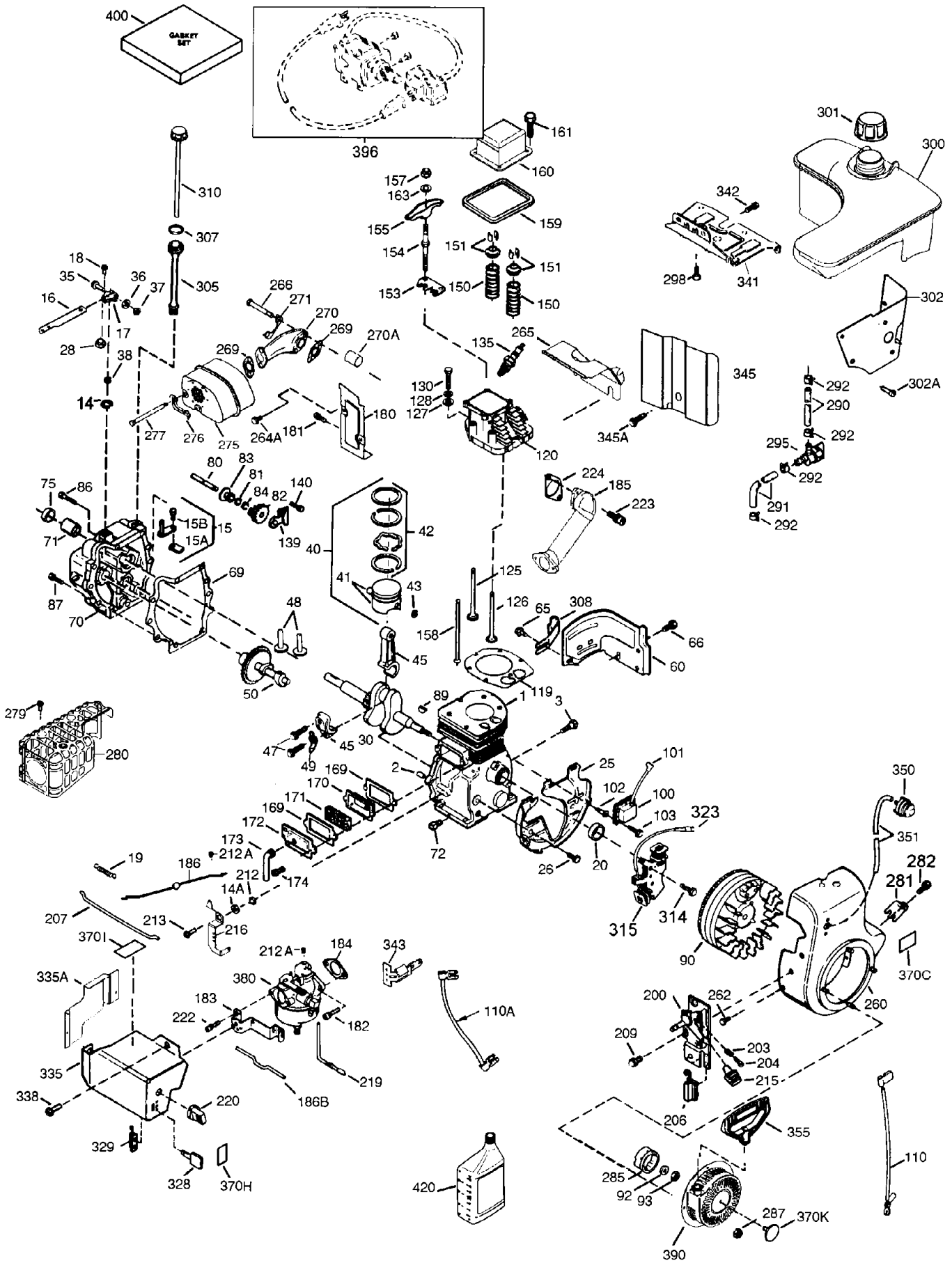
Obtain Parts From Tecumseh

Engine Tecumseh OHSK100-221606A (Only on: 38560) — (Continued)

Ref. No.	Part No.	Qty.	Description	Ref. No.	Part No.	Qty.	Description
212	30773A	1	Bushing	355	590574	1	Starter Handle
212A	36288	1	Bushing	361	650990	2	Screw—Torx
213	651056	1	Screw	362	32450B	1	Extension Cord
215	35440	1	Control Knob	369	651032	2	Screw
216	37260	1	Bellcrank Lever	370C	36501	1	Primer Decal
219	35689	1	Choke Rod	370H	37226	1	Choke Decal
220	35438	1	Choke Knob	370I	37119	1	Warning Decal
222	28820	2	Screw	370K	36695	1	Starter Decal
223	650971	2	Screw — Torx	380	640169	1	Carburetor (Incl. Ref.# 184)
224	33515A	1	Intake Pipe Gasket	390	590749	1	Rewind Starter
260	37092A	1	Blower Housing	396	33329E	1	Electric Starter Motor (110 Volt)
262	29747B	2	Screw — Torx	400	37257	1	Gasket Set
264A	650738	1	Screw	420	730226	1	SAE 5W30 4-Cycle Engine Oil (Quart)
265	37086	1	Cylinder Head Cover				
266	650876	2	Screw				
269	35762	2	Exhaust Gasket				
270	37263	1	Manifold				
270A	35829A	1	Exhaust Port Liner				
271	35293	1	Locking Plate (Manifold)				
275	37264	1	Muffler				
276	35348	1	Locking Plate				
277	650877	2	Screw				
279	651011	4	Screw				
280	37265	1	Heat Shield				
285	35985B	1	Starter Cup				
287	29752	4	Nut & Lock Washer				
290	30962	1	Fuel Line				
291	29774	1	Fuel Line				
292	26460	4	Fuel Line Clamp				
295	35857	1	Fuel Shut-Off Valve				
298	650665	2	Screw				
300	37099	1	Fuel Tank (Incl. Ref.#292 & 301)				
301	36246	1	Fuel Cap				
302	37098	1	Fuel Tank Extension				
302A	650821	3	Screw				
305	35574	1	Oil Fill Tube				
307	35499	1	O-Ring				
308	35539	1	Fill Tube Clip				
310	35700	1	Dipstick				
314	650873	1	Screw				
315	611111	1	Alternator Coil (18 Watt) (Incl. Ref.# 323)				
323	611118	1	Terminal				
328	35062	2	Ignition Keys				
329	610973	1	Terminal				
335	37096	1	Carburetor Cover				
335A	37087	1	Carburetor Cover				
338	650821	4	Screw				
341	37093	1	Fuel Tank Bracket				
342	792028	2	Screw				
343	35079	1	Key Switch Bracket				
345	37097	1	Heat Baffle				
345A	650821	1	Screw				
350	570682A	1	Primer Assembly				
351	32180C	1	Primer Line				

Obtain parts from Tecumseh

Engine Tecumseh OHSK100-221607A (Only on: 38559)

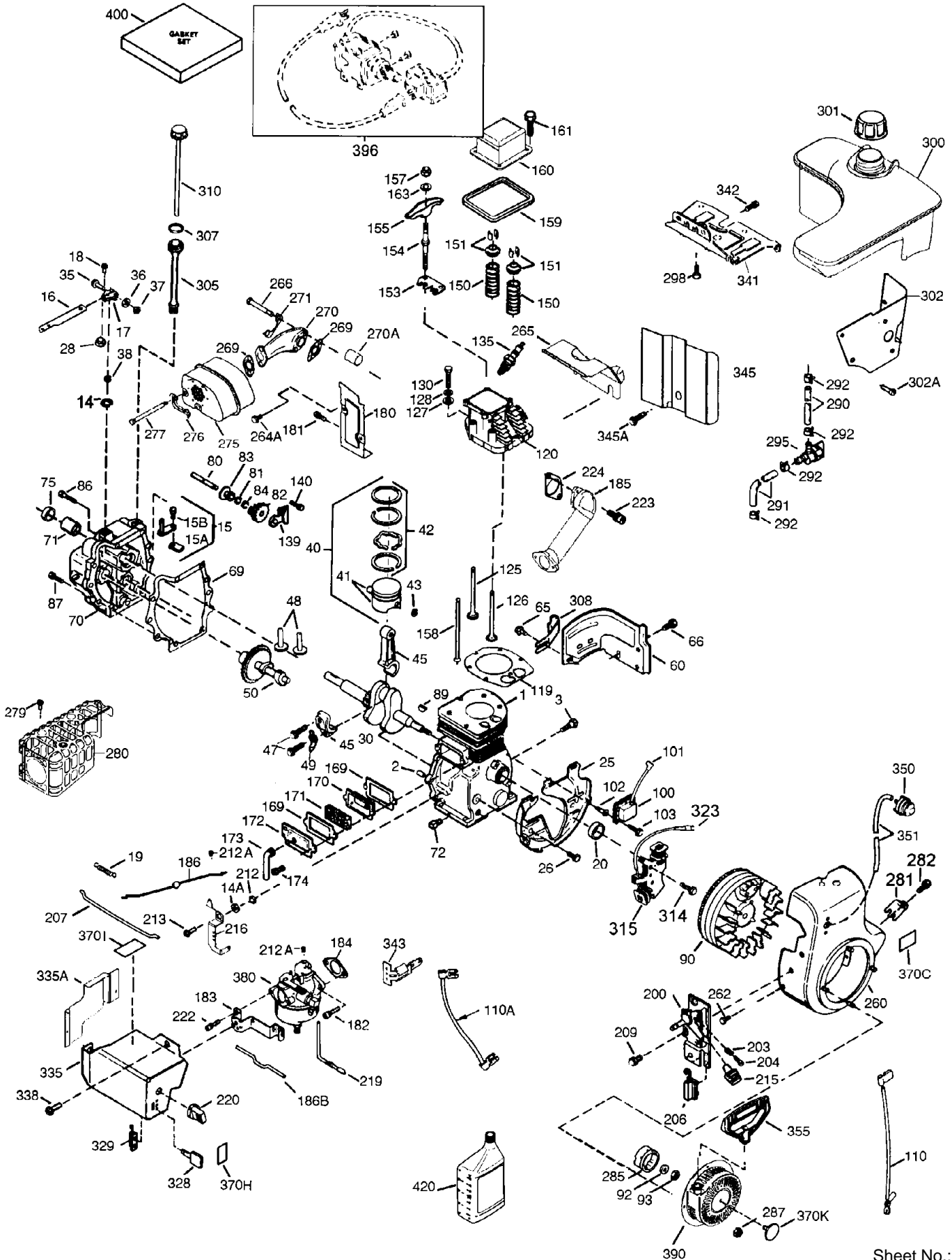


Engine Tecumseh OHSK100-221607A (Only on: 38559)

Ref. No.	Part No.	Qty.	Description	Ref. No.	Part No.	Qty.	Description
1	37251	1	Cylinder (Incl. Ref.# 2, 20 & 72)	89	32589	1	Flywheel Key
2	27652	2	Dowel Pin	90	611093	1	Flywheel (W/Ring Gear)
3	650820	2	Screw	92	650880	1	Lock Washer
14	28277	1	Washer	93	650881	1	Flywheel Nut
14A	651057	1	Washer	100	35135	1	Solid State Ignition
15	30699C	1	Governor Rod ASM (Incl. Ref.#15A & 15B)	101	610118	1	Spark Plug Cover
15A	30700	1	Yoke-Governor	102	651024	2	Solid State Mounting Stud
15B	650494	1	Screw	103	651007	2	Screw-Torx
16	37255	1	Governor Lever	110	35187	1	Ground Wire
17	29916	1	Governor Lever Clamp	110A	37047	1	Ground Wire
18	651028	1	Screw-Torx	119	37256	1	Cylinder Head Gasket
19	36281	1	Throttle Spring	120	37258	1	Cylinder Head
20	35319	1	Oil Seal	125	36934	1	Exhaust Valve (Std.)
25	36460	1	Blower Housing Baffle	125	36936	1	Exhaust Valve (1/32)
26	650561	2	Screw	126	36935	1	Intake Valve (Std.)
28	30322	1	Lock Nut	126	36937	1	Intake Valve (1/32)
30	37272	1	Crankshaft	127	650691	6	Washer
35	29826	1	Screw	128	650690	6	Belleville Washer
36	29918	1	Lock Washer	130	650697A	6	Screw
37	29216	1	Lock Nut	135	34645	1	Spark Plug (RN4C)
38	29642	1	Retaining Ring	139	33369	1	Governor Gear Bracket
40	40011	1	Piston, Pin & Ring Set (Std.)	140	650836	1	Screw
40	40012	1	Piston, Pin & Ring Set (.010)	150	33507	2	Valve Spring
41	40009	1	Piston & Pin Ass'y (Std.) (Incl. Ref.#43)	151	33508	2	Valve Spring Keeper
41	40010	1	Piston & Pin Ass'y (.010) (Incl. Ref.#43)	153	35949	1	Push Rod Guide
42	40013	1	Ring Set (Std.)	154	650945	2	Rocker Arm Stud
42	40014	1	Ring Set (.010)	155	35950	2	Rocker Arm
43	27888	2	Piston Pin Retaining Ring	157	650947	2	Jam Nut
45	36897	1	Connecting Rod ASM (Incl. Ref.# 47 & 49)	158	35466	2	Push Rod
47	651033	2	Connecting Rod Bolt	159	35952	1	Rocker Arm Cover Gasket
48	35313	2	Valve Lifter	160	35953A	1	Rocker Arm Cover
49	36896	1	Oil Dipper	161	30063	4	Screw-Torx
50	35682A	1	Camshaft (MCR)	163	650890	2	Lock Washer
60	35316A	1	Blower Housing Extension	169	27896A	2	Valve Cover Gasket
65	30200	1	Screw	170	28423	1	Breather Body
66	30063	1	Screw-Torx	171	28424	1	Breather Element
69	35262A	1	Cylinder Cover Gasket	172	28425	1	Valve Cover
70	37273	1	Cylinder Cover (Incl. Ref.# 71,75 & 80)	173	35350	1	Breather Tube
71	35377	1	Crankshaft Bushing	174	650128	2	Screw
72	27642	1	Oil Drain Plug	180	35954	1	Blower Housing Extension
75	35319	1	Oil Seal	181	30200	2	Lock Nut
80	31845	1	Governor Shaft	182	650517	2	Screw-Torx
81	30590A	2	Washer	183	34583A	1	Choke Bracket
82	35378	1	Governor Gear ASM	184	33263	1	Carburetor To Intake Pipe Gasket
83	30588A	1	Governor Spool	185	37085	1	Intake Pipe
84	29193	1	Retaining Ring	186	37261	1	Governor Link
86	650833	7	Screw	186B	36653	1	Choke Spring
87	650832	1	Screw	200	35702	1	Control Bracket (Incl. Ref.#203, 204 & 206)
				203	31342	1	Compression Spring
				204	651029	1	Screw-Torx
				206	610973	1	Terminal
				207	37262	1	Throttle Link
				209	650821	2	Screw

Obtain Parts From Tecumseh

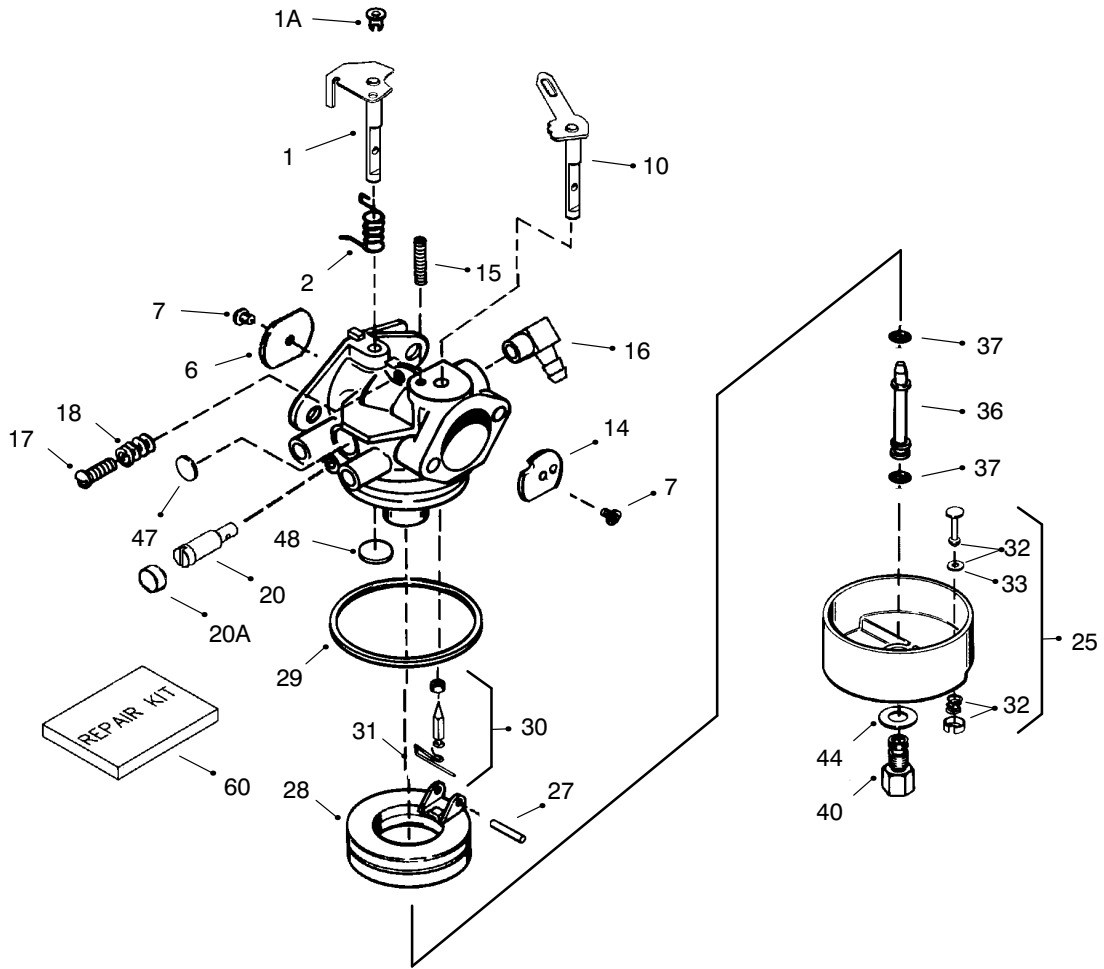
Engine Tecumseh OHSK100-221607A (Only on: 38559)— (Continued)



Engine Tecumseh OHSK100-221607A (Only on: 38559) — (Continued)

Ref. No.	Part No.	Qty.	Description	Ref. No.	Part No.	Qty.	Description
212	30773A	1	Bushing	350	570682A	1	Primer Assembly
212A	36288	1	Bushing	351	32180C	1	Primer Line
213	651056	1	Screw	355	590574	1	Starter Handle
215	35440	1	Control Knob	370C	36501	1	Primer Decal
216	37260	1	Bellcrank Lever	370H	37226	1	Choke Decal
219	35689	1	Choke Rod	370I	37119	1	Warning Decal
220	35438	1	Choke Knob	370K	36695	1	Starter Decal
222	28820	2	Screw	380	640169	1	Carburetor (Incl. Ref.# 184)
223	650971	2	Screw-Torx	390	590749	1	Rewind Starter
224	33515A	1	Intake Pipe Gasket	396	33329E	1	Electric Starter Motor (Optional)
260	37092	1	Blower Housing	400	37257	1	Gasket Set
262	29747B	2	Screw-Torx	420	730226A	1	SAE 5W30 4-Cycle Engine Oil (Quart)
264A	650378	1	Screw				
265	37086	1	Cylinder Head Cover				
266	650876	2	Screw				
269	35762	2	Exhaust Gasket				
270	37263	1	Manifold				
270A	35829A	1	Exhaust Port Liner				
271	35293	1	Locking Plate (Manifold)				
275	37264	1	Muffler				
276	36348	1	Locking Plate				
277	650877	2	Screw				
279	651011	4	Screw				
280	37265	1	Heat Shield				
281	33013	1	Starter Bubbler Cover				
282	650760	1	Screw				
285	35985B	1	Starter Cup				
287	29752	4	Nut & Lock Washer				
290	30962	1	Fuel Line				
291	29774	1	Fuel Line				
292	26460	4	Fuel Line Clamp				
295	35857	1	Fuel Shut-Off Valve				
298	650665	2	Screw				
300	37099	1	Fuel Tank (Incl. Ref.#292 & 301)				
301	36246	1	Fuel Cap				
302	37098	1	Fuel Tank Extension				
302A	650821	3	Screw				
305	35574	1	Oil Fill Tube				
307	35499	1	O-Ring				
308	35539	1	Fill Tube Clip				
310	35700	1	Dipstick				
314	650873	1	Screw				
315	611111	1	Alternator Coil (18 Watt) (Incl. Ref.# 323)				
323	611118	1	Terminal				
328	35062	2	Ignition Keys				
329	610973	1	Terminal				
335	37096	1	Carburetor Cover				
335A	37087	1	Carburetor Cover				
338	650821	4	Screw				
341	37093	1	Fuel Tank Bracket				
342	792028	2	Screw				
343	35079	1	Key Switch Bracket				
345	37097	1	Heat Baffle				
345A	650821	1	Screw				

Obtain parts from Tecumseh

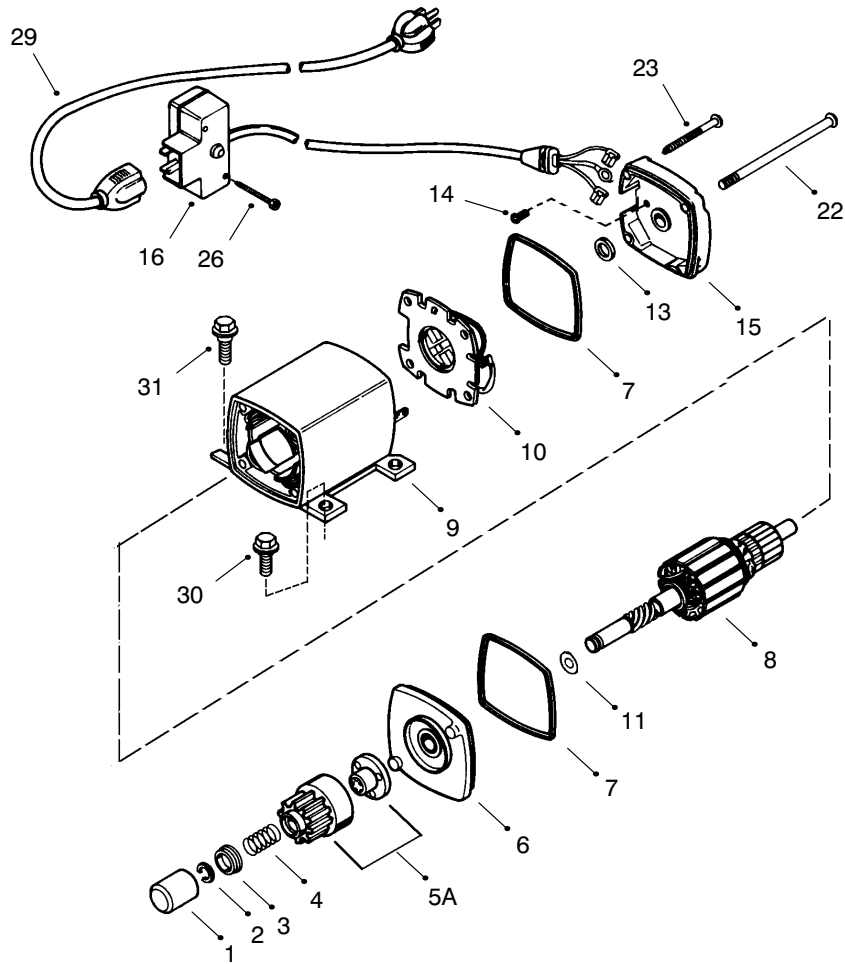


Carburetor No. 640169

Ref. No.	Part No.	Qty.	Description
1	632777	1	Throttle Shaft & Lever ASM
1A	36288	1	Bushing
2	631970	1	Throttle Return Spring
6	640109	1	Throttle Shutter
7	650506	2	Shutter Screw
10	632778	1	Choke Shaft & Lever ASM
14	631753	1	Choke Shutter
15	630735	1	Choke Positioning Spring
16	632527	1	Fuel Fitting
17	651025	1	Idle Speed Screw
18	630766	1	Tension Spring
20	640027	1	Idle Restrictor Screw
20A	640053	1	Idle Restrictor Screw Cap
25	632594A	1	Float Bowl ASM (Incl. Ref.# 32 & 33)
27	631024	1	Float Shaft
28	632019	1	Float
29	631028	1	Float Bowl O-Ring
30	631021	1	Inlet Needle, Seat, Clip (Incl. Ref.# 31)
31	631022	1	Spring Clip
32	27136A	1	Bowl Drain ASM

Ref. No.	Part No.	Qty.	Description
33	27554	1	Drain Plunger Gasket
36	640013	1	Main Nozzle Tube
37	632547	2	O-Ring, Main Nozzle Tube
40	640170	1	High Speed Bowl Nut
44	27110A	1	Bowl Nut Washer
47	630748	1	Welch Plug, Idle Mixture Well
48	631027	1	Welch Plug, Vent
60	632760	1	Repair Kit

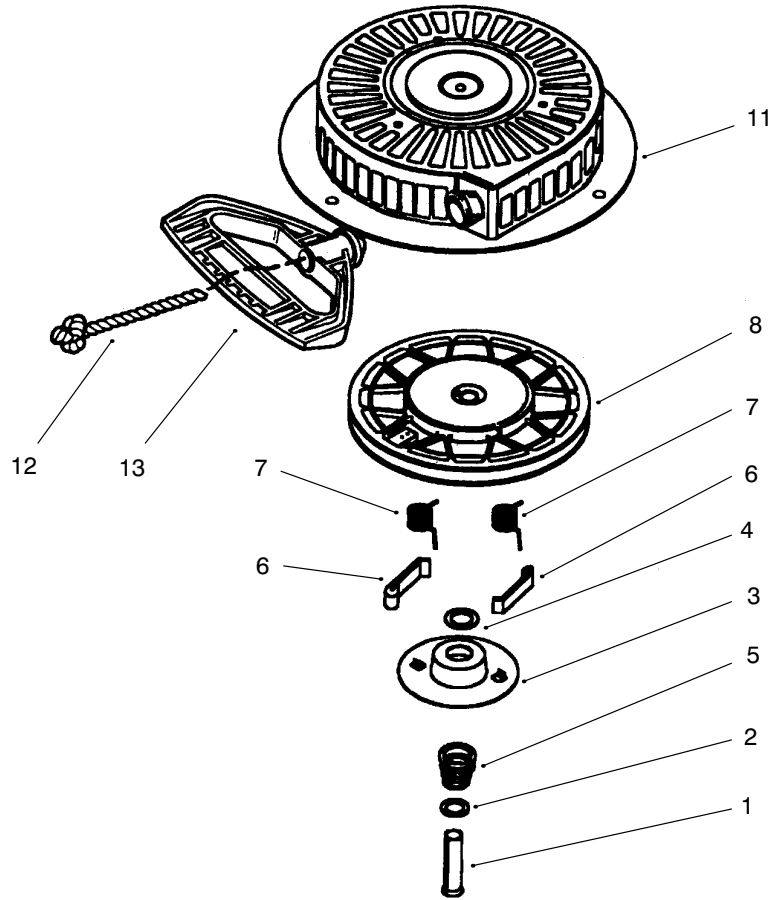
Obtain Parts From Tecumseh



Electric Starter No. 33329E (Optional on: 38559)

Ref. No.	Part No.	Qty.	Description	Ref. No.	Part No.	Qty.	Description
1	33451	1	Dust Cover				
2	33842	1	Retaining Ring				
3	33430	1	Spring Retainer				
4	33431	1	Anti-drift Spring				
5A	37050	1	Gear & Nut (Incl. Ref.# 2)				
6	35449	1	Drive End Cap ASM (Incl. Ref.#7)				
7	35450	2	O-Ring				
8	35915	1	Armature				
9	35451A	1	Housing ASM				
10	35452A	1	Brush Card ASM				
11	35911	1	Thrust Washer				
13	590500	1	Thrust Washer				
14	33441	1	Ground Screw				
15	35453	1	Commutator End Cap ASM (Incl. Ref.# 7)				
16	35454	1	Switch Box ASM				
22	35455	2	Case Bolt				
23	35456	1	Ground Screw				
26	650819	2	Screw				
26	651032	2	Screw				
29	32450B	1	Extension Cord				
30	30063	2	Screw-Torx				
31	650820	2	Screw				

Obtain Parts From Tecumseh



Recoil Starter No. 590733 (Optional)

Ref. No.	Part No.	Qty.	Description
1	590599A	1	Spring Pin (Incl. Ref.# 4)
2	590600	1	Washer
3	590696	1	Retainer
4	590601	1	Washer
5	590697	1	Brake Spring
6	590698	2	Starter Dog
7	590699	2	Dog Spring
8	590709	1	Pulley & Rewind Spring ASM
11	590734	1	Starter Housing ASM
12	590535	1	Starter Rope
13	590574	1	Mitten Grip Handle

Ref. No.	Part No.	Qty.	Description

Obtain Parts From Tecumseh

