



# 1332 Power Shift Snowthrower

Model No. 38087—200000001 and Up

Model No. 38592—200000001 and Up

## Parts Catalog

---

### Ordering Replacement Parts

To order replacement parts, please supply: the part number, the quantity, and the description of each part desired.

### Understanding Reference Numbers

Each identified part in an illustration has a reference number. The reference number for a part also appears in the parts list, along with other information about the part.

This catalog uses two special reference number formats, one to indicate parts in a service assembly and another to indicate the quantity of a given part in an illustration.

### Service Assembly Reference Numbers

Parts in service assemblies have reference numbers in the form **a:b**. The **a** represents the reference number of the entire service assembly and the **b** represents a sequential number unique to each part within the service assembly.

For example, a wheel assembly might be identified by reference number **6**, the tire by **6:1**, the valve by **6:2**, and the wheel by **6:3**. When you order the assembly identified by reference number **6**, you receive all parts identified by reference numbers **6:1**, **6:2**, and **6:3**. However, you may also order any part individually.

Reference numbers of this type appear in illustrations and in part lists.

### Reference Numbers Indicating Quantity

In an illustration, if a reference number indicates more than one part, the reference number has the form **nX y**. The **n** represents the quantity of the part, the **X** is the multiplication symbol, and the **y** represents the reference number.

For example, in an illustration, the reference number **2X 37** means that two of the parts identified by reference number **37** are indicated.

## Contents

<b>Description</b>	<b>Page</b>	<b>Description</b>	<b>Page</b>
Housing and Engine Frame Assembly .....	3	Carburetor .....	15
Auger Gearcase Assembly .....	5	Engine Assembly	
Engine and Transmission Assembly .....	6	OHSK 130-223819B (Only on 38087) .....	16
Traction Gearcase Assembly .....	7	Engine Assembly	
Power Shift Control Assembly .....	9	OHSK 130-223818B (Only on 38592) .....	20
Handle and Control Assembly .....	10	Electric Starter (110 Volt) .....	24
Headlamp Assembly .....	12	Recoil Starter .....	25
Lower Traction Assembly .....	13	Recoil Starter (Optional) .....	26

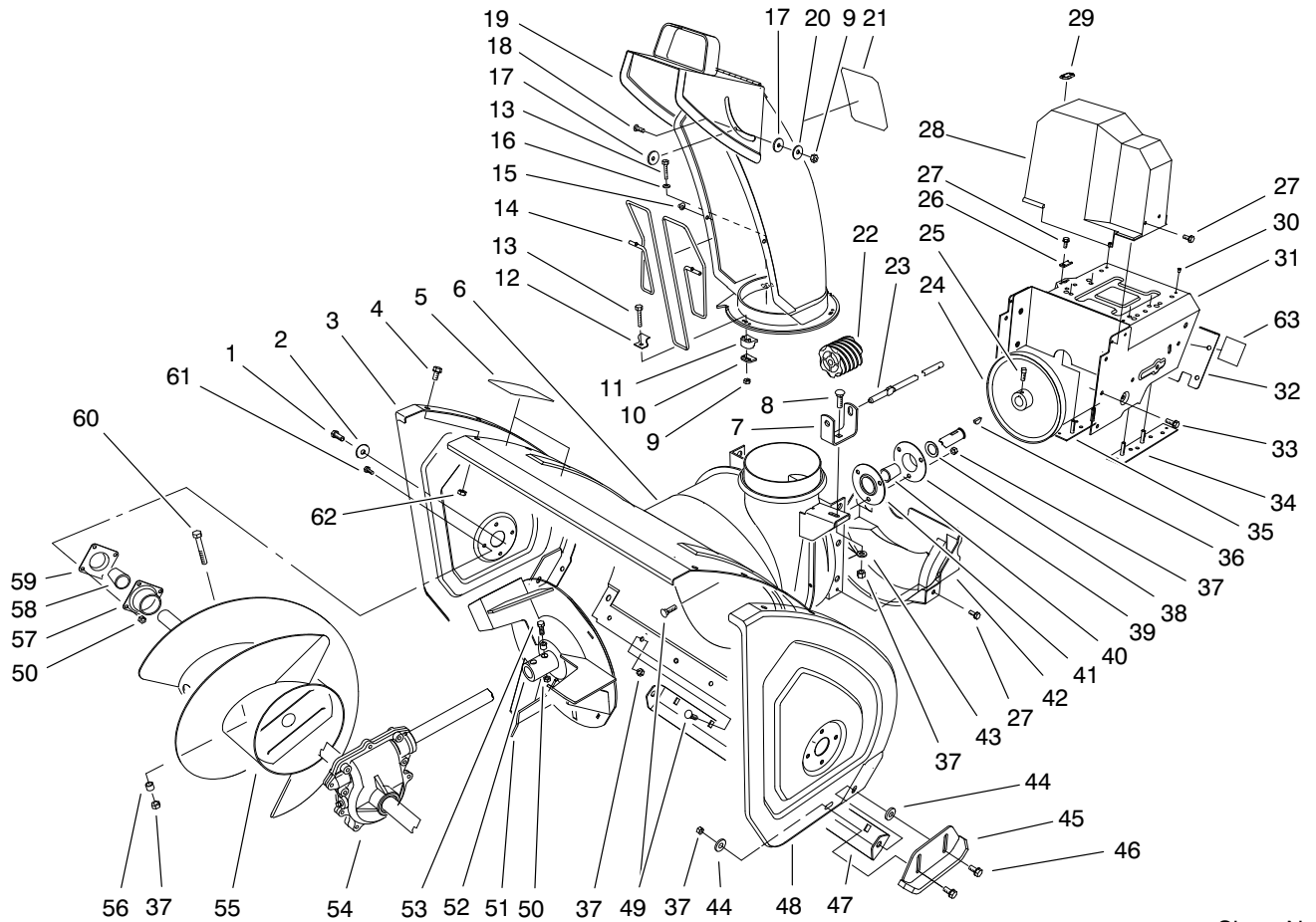
## Accessories

<b>Description</b>	<b>Model / Part No.</b>	<b>Description</b>	<b>Model / Part No.</b>
Snow Cab .....	68-9500	12V Electric Starter Kit (model 38087 only) .	93-8040
Weight Kit		Tire Chain Kit (for std. axle, not for	
(Required with Snow Cab 68-9500) .....	74-1190	use with differential kit) .....	63-3040
Light Kit (model 38592 only) .....	66-7941		
Drift Breaker .....	66-7980		

## Part Description Abbreviations

Part descriptions in this catalog may include the following abbreviations.

<b>Abbreviation</b>	<b>Meaning</b>	<b>Abbreviation</b>	<b>Meaning</b>
AR .....	as required	INC .....	incorporated
ASM .....	assembly	LH .....	left hand
CARR .....	carriage	NI .....	nylon insert
DEG .....	degrees	PPH .....	Phillips pan head
FH .....	flat head	PTH .....	Phillips truss head
GA .....	gauge	PTO .....	power take off
HF .....	hex flange	RH .....	right hand
HH .....	hex head	SFH .....	slotted fillister head
HHF .....	hex head flange	SHH .....	slotted hex head
HLH .....	hex lag head	SQH .....	square head
HJ .....	hex jam	SHWH .....	slotted hex washer head
HOC .....	height-of-cut	SPH .....	slotted pan head
HS .....	hex socket	SRH .....	slotted round head
HSBH .....	hex socket button head	STD .....	standard
HSFH .....	hex socket flat head	TAP .....	self tapping
HSH .....	hex socket head	TTH .....	Torx truss head
HWH .....	hex washer head	WH .....	wing head
HWHTF .....	hex washer head thread forming		

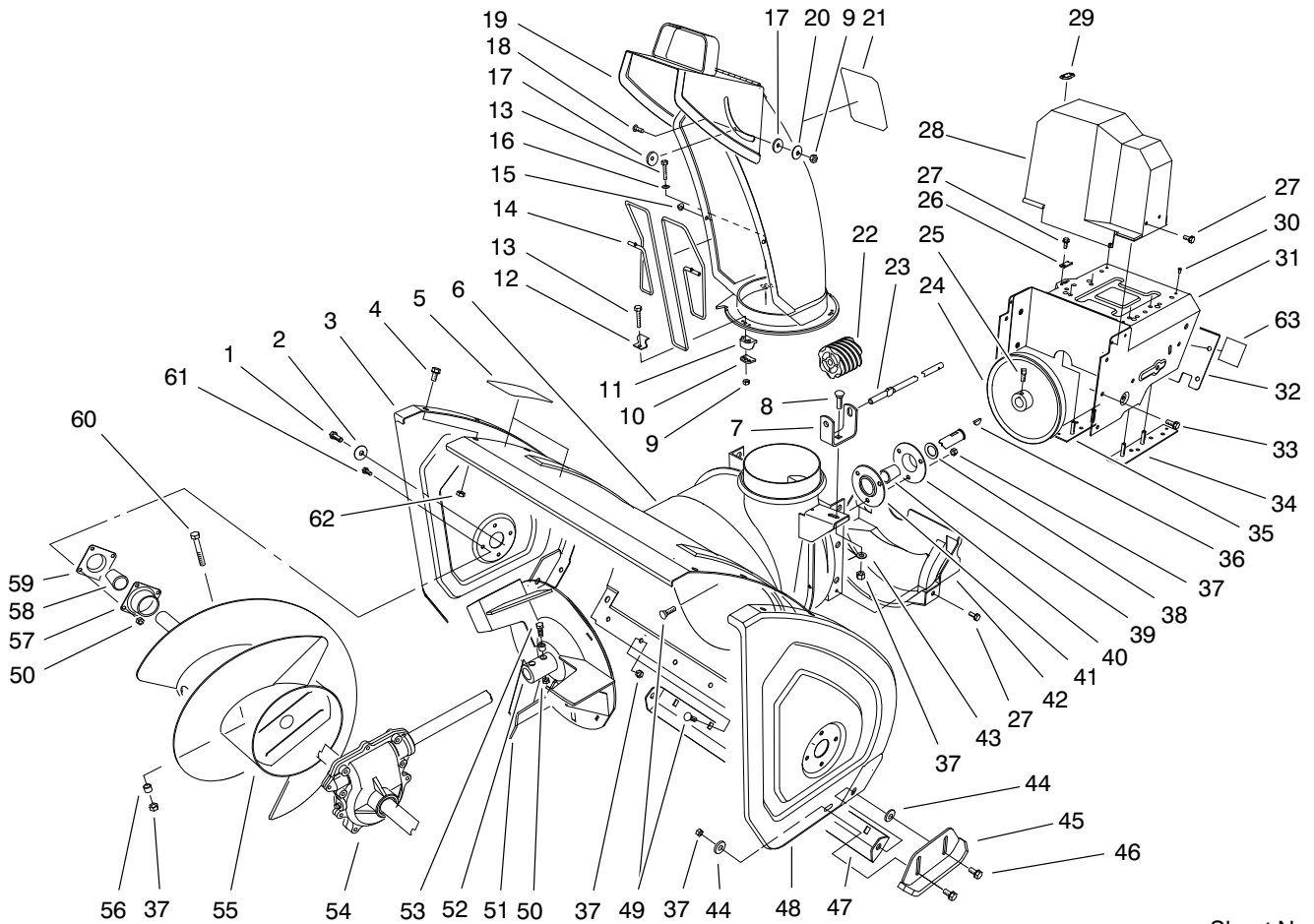


Sheet No.:2

## Housing and Engine Frame Assembly

Ref. No.	Part No.	Qty.	Description
1	323-4	2	Screw-HH
2	3-0750	2	Washer
3	66-7821-01	1	Plate-Side, RH
4	3234-28	12	Screw-HHF
6	100-5458	1	Auger Housing ASM (only on: 38087)
6	100-5457	1	Auger Housing ASM (only on: 38592)
6:2	94-2568	1	Decal-Warning, Auger (only on: 38087)
6:2	53-7670	1	Decal-Warning, Auger (only on: 38592)
7	63-2180	1	Bracket-Worm, Chute
8	3230-2	1	Screw-CARR
9	3296-2	4	Nut-Lock
10	63-2670	3	Plate-Retainer, Chute
11	62-1430	3	Retainer-Chute
12	63-3130	1	Clip-Guard, Chute
13	3274-13	3	Screw-HSH
14	63-3020	1	Guard-Chute
15	3290-326	2	Nut-Push
16	3256-14	1	Washer-Flat
17	63-2900	2	Washer-Plastic
18	32122-32	1	Screw
19	95-2661	1	Chute (only on: 38592)

Ref. No.	Part No.	Qty.	Description
19	95-2662	1	Chute (only on: 38087)
19:2	94-8079	1	Decal-Danger (only on: 38592)
19:2	94-2558	1	Decal - Danger Discharge (only on: 38087)
20	3256-61	1	Washer-Flat
22	62-0820	1	Gear-Worm
23	62-1720	1	Rod-Chute, Lower
24	62-1300	1	Pulley-Impeller
25	3242-4	2	Screw-SQH Set
26	63-2300	1	Retainer-Cable
27	32144-4	6	Screw-HH
28	63-2080	1	Cover-Belt, Upper
29	63-3290	1	Cover-Cable
30	3269-23	4	Rivet-Pop
31	100-5451	1	Engine Frame ASM (only on: 38087)
31	100-5450	1	Engine Frame ASM (only on: 38592)
31:2	66-6860	1	Decal-Warning (only on: 38592)



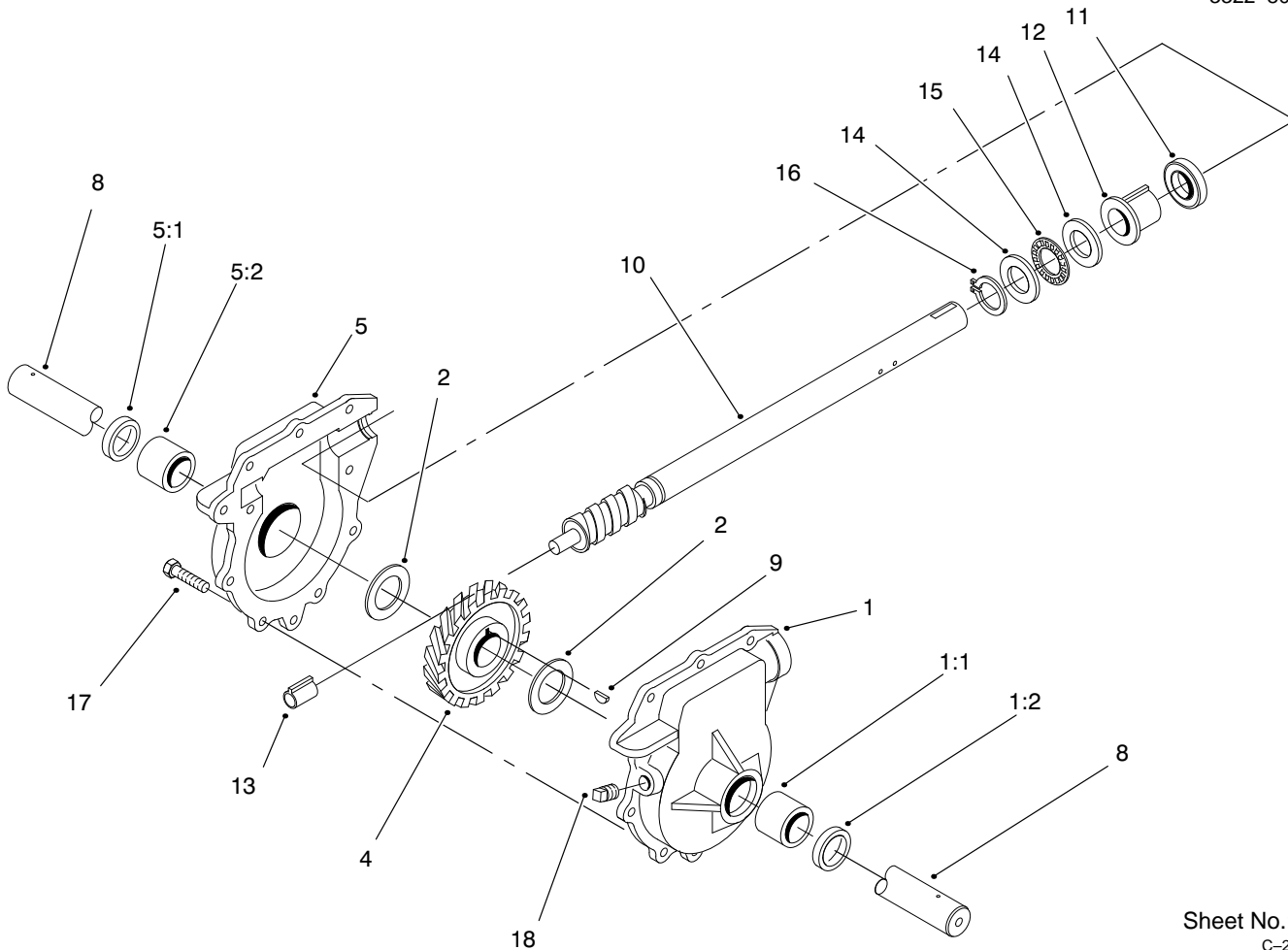
Sheet No.:2

### Housing and Engine Frame Assembly (Continued)

Ref. No.	Part No.	Qty.	Description
31:2	94-2575	1	Decal-Adjustment (only on: 38087)
32	62-1440-01	1	Cover-Frame, Engine
33	32144-14	6	Screw-HWH
34	68-4110	1	LH Frame Plate ASM
35	68-4100	1	RH Frame Plate ASM
36	3257-23	1	Key-Woodruff
37	3296-29	16	Nut-Lock
38	252-80	1	Bearing-Thrust
39	26-6110	1	Flange-Cup, Bearing
40	63-3450	1	Bearing-Ball
41	26-6120	1	Flange-Cup, Bearing
42	68-8410	1	Cover-Belt, Lower
43	3256-23	1	Washer-Flat
44	52-2861	4	Washer
45	74-1440-01	2	Skid ASM
46	3234-5	4	Screw-HHF
47	66-7760-01	1	Blade-Scraper
48	66-7831-01	1	Plate-Side, LH
49	3230-23	11	Screw-CARR
50	3296-42	10	Nut-Lock
51	66-7920-03	1	Impeller-4 Blade
52	66-8010	2	Spacer-Hub, Impeller
53	321-44	2	Screw-HHF
54	74-1562	1	LH Auger Gearcase ASM

Ref. No.	Part No.	Qty.	Description
55	68-7452-03	1	Auger, RH
*55	68-7462-03	1	Auger, LH
56	25-5090	2	Spacer-Hub, Auger
57	20-0990	2	Bearing-Flange, Front
58	20-0980	2	Bearing
59	20-1000	2	Bearing-Flange, Rear
60	322-12	2	Screw-HH
61	321-3	8	Screw-HH
62	3296-47	12	Nut-Lock Ni
63	68-9390	1	Decal (only on: 38592)

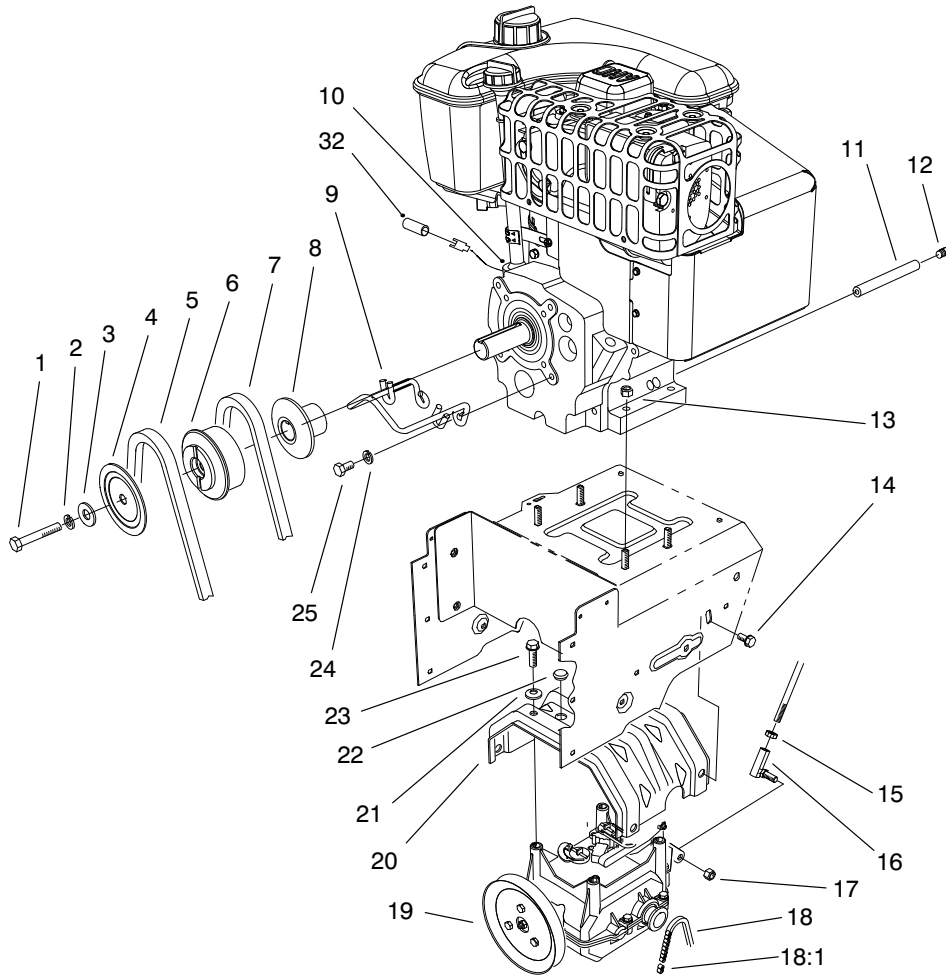
\* Not illustrated



Sheet No.:A1  
C-2849

## Auger Gearcase Assembly No. 74-1562

Ref. No.	Part No.	Qty.	Description	Ref. No.	Part No.	Qty.	Description
1	74-1570	1	LH Auger Gearcase ASM				
1:1	256-237	1	Bushing				
1:2	7-0045	1	Seal-Oil				
2	252-71	2	Bearing-Thrust				
4	62-0120	1	Gear-Helical				
5	74-1580	1	RH Auger Gearcase ASM				
5:1	7-0045	1	Seal-Oil				
5:2	256-237	1	Bushing				
8	62-1532	1	Shaft-Auger				
9	3257-10	1	Key-Woodruff				
10	66-7810	1	Shaft-Impeller				
10	66-7811	1	Impeller Shaft				
11	253-149	1	Seal-Oil				
12	37-6560	1	Bushing-Input				
13	62-1150	1	Bushing-Worm				
14	252-78	2	Bearing-Thrust				
15	252-76	1	Bearing-Thrust				
16	32151-33	1	Ring-Retaining, Ext.				
17	32144-110	9	Screw-HWH				
18	281-1	1	Plug-SQH Pipe				

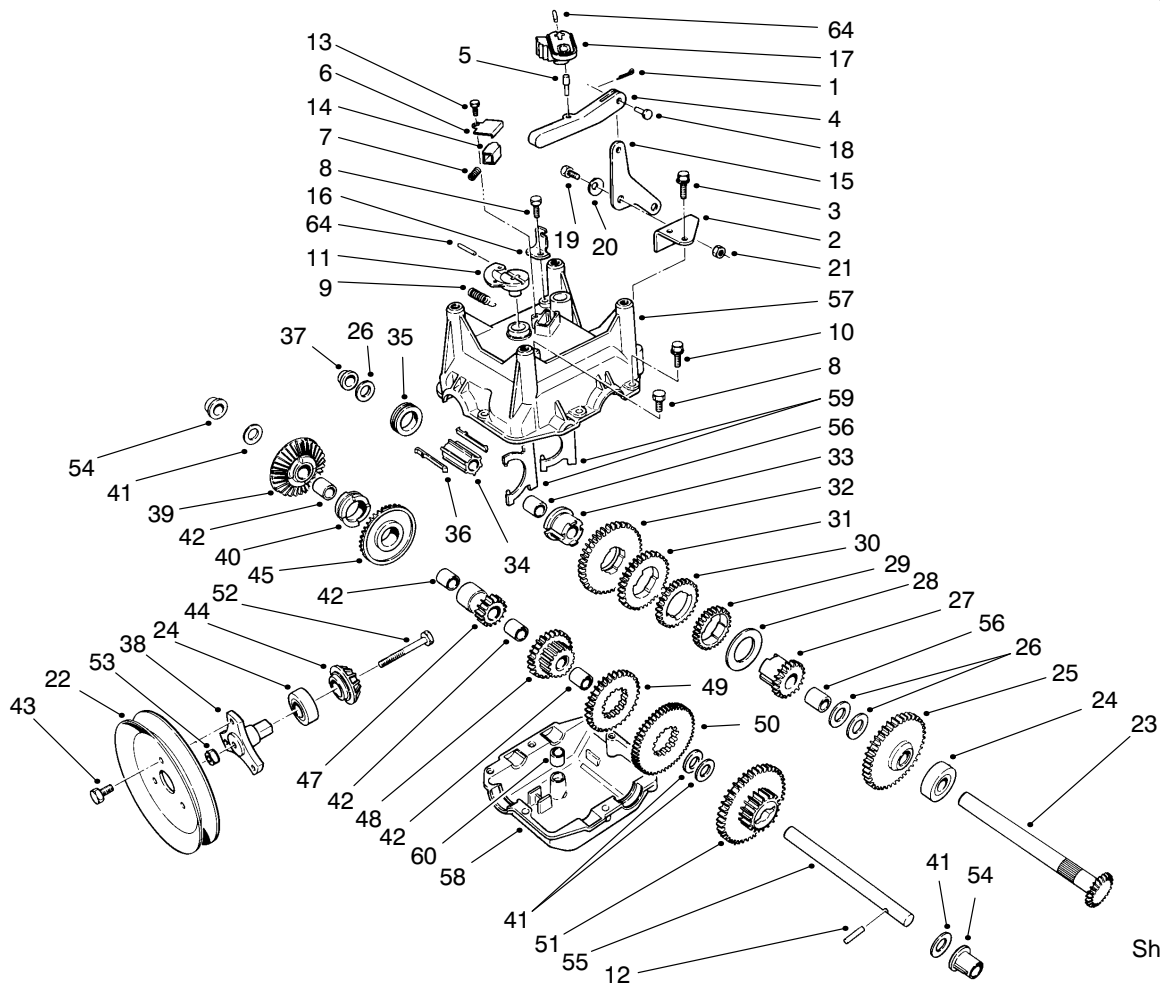


Sheet No.:3

## Engine and Transmission Assembly

Ref. No.	Part No.	Qty.	Description
1	3212-8	1	Screw-HH
2	3253-6	1	Washer-Lock/Sp
3	3256-41	1	Washer-Flat
4	62-0940	1	Sheave-Half, Impeller
5	63-2967	1	V Belt - Impeller
6	62-0930	1	Pulley-Engine, Center
7	63-2955	1	Belt-Traction
8	62-0920	1	Sheave-Half, Traction
9	100-3432	1	Guide-Belt
10		1	Engine-13hp Tecumseh Ohsk 130-223819b (only on: 38087)
10		1	Engine-13hp Tecumseh Ohsk 130-223818b (only on: 38592)
*10:2	99-9300	1	Cord-Extention (only on: 38592)
11	289-34	1	Nipple-Pipe
12	288-2	1	Cap-Pipe
13	32128-20	4	Nut-HF
14	3234-7	4	Screw-HHF
15	3220-3	1	Nut-Jam
16	78-2920	1	Ball-Joint
17	3296-6	1	Nut-Lock Ni

Ref. No.	Part No.	Qty.	Description
18	63-2930	1	Chain
18:1	2710-15	1	Link-Offset
19	66-8030	1	Traction Gearcase ASM
20	63-2990-03	1	Transmission Frame ASM
21	3290-461	4	Washer-Spring
22	95-7947	2	Cap-Plug
23	11-0590	4	Screw-Thread Forming
24	3253-4	2	Washer-Lock/Sp
25	3210-3	2	Screw-HH
26	3256-41	2	Washer-Flat
27	2710-15	1	Link-Offset
32	94-2782	1	Cap-Wire, Lite (only on: 38592)

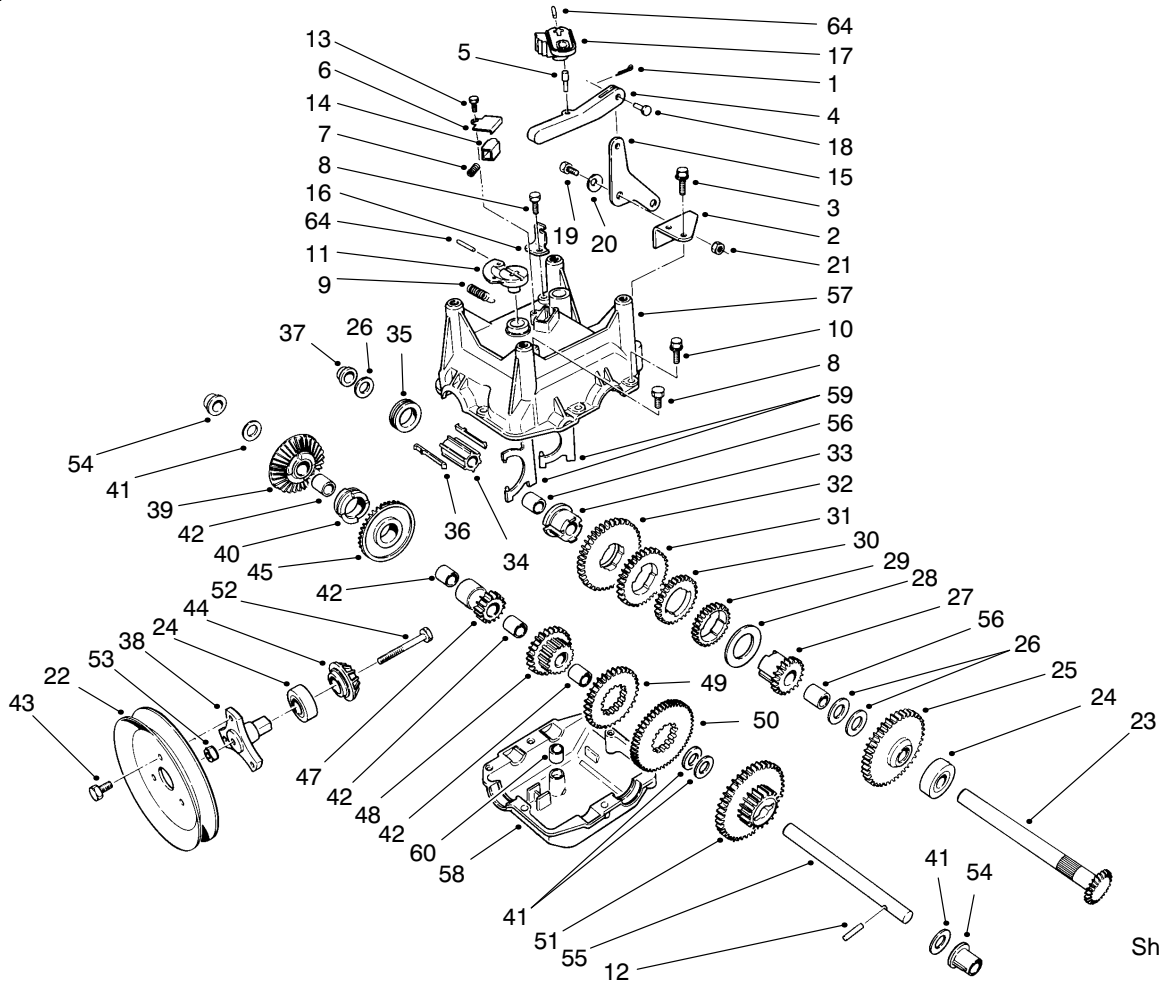


Sheet No.:A2  
C-2850

## Traction Gearcase Assembly No. 66-8030

Ref. No.	Part No.	Qty.	Description
1	3272-1	1	Pin-Cotter
2	62-1190	1	Bracket-Bellcrank
3	32104-95	2	Screw-HWH
4	62-0860	1	Link-Shift, Gear
5	63-2190	1	Pin-Link, Gear Shift
6	62-1690	1	Cover-Detent
7	63-2890	1	Spring-Detent
8	32144-4	2	Screw-HH
9	63-2920	1	Spring-Extension
10	32144-86	6	Screw-HH
11	62-0880	1	Lever
12	32121-106	1	Pin-Spring
13	32104-71	1	Screw-HWH
14	62-1020	1	Button-Detent
15	63-2600	1	Bellcrank
16	62-1740	1	Bracket-Cable, F/R
17	62-0870	1	Lever-Shift, Gear
18	283-3	1	Pin-Clevis
19	63-3410	1	Screw-Shoulder
20	3290-477	1	Washer-Curved
21	3296-42	1	Nut-Lock
22	62-1310	1	Traction-Sheave, Half
23	62-1080	1	Shaft-Output
24	38-7820	2	Bearing-Ball
25	62-0370	1	Gear, 41 T
26	252-59	3	Bearing-Thrust

Ref. No.	Part No.	Qty.	Description
27	62-0340	1	Gear-Sleeve, 19 T
28	63-2280	1	Washer-Thrust
29	62-0250	1	Gear, 29 T
30	62-0200	1	Gear, 27 T
31	62-0220	1	Gear, 34 T
32	62-0240	1	Gear, 45 T
33	62-0320	1	Sleeve-Gear
34	68-4320	1	Sleeve-Shift
35	62-0430	1	Collar-Shift
36	62-0310	2	Key
37	62-1180	1	Bushing-Flange, Output
38	62-0380	1	Hub-Pulley
39	67-5860	1	Gear-Bevel, Rev, 36 T
40	67-5880	1	Collar-Shift
41	257-10	4	Washer-Thrust
42	62-1160	4	Bushing
43	12-3270	3	Screw
44	62-0350	1	Pinion-Bevel
45	67-5870	1	Gear-Bevel, 36 T
47	62-0500	1	Gear-Bevel, 15 T
48	68-4310	1	Gear, 26 T
49	62-0210	1	Gear, 33 T
50	62-0260	1	Gear, 51 T
51	62-0360	1	Gear, 19/41 T
52	321-15	1	Screw-HH



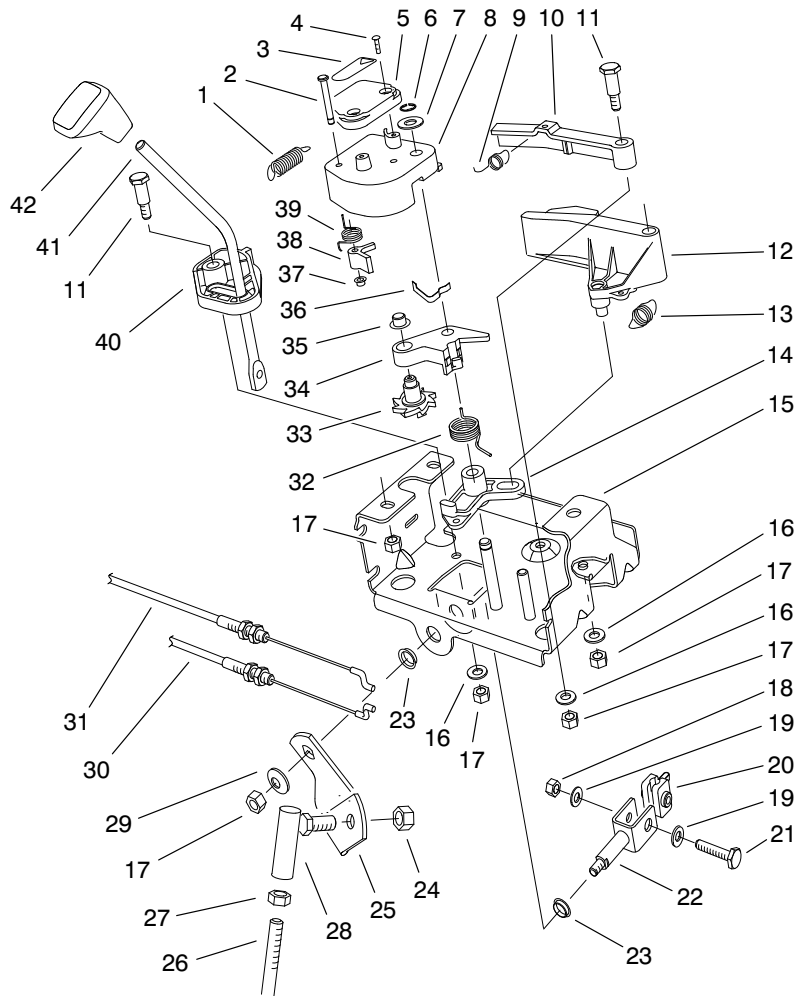
Sheet No.:A2  
C-2850

### Traction Gearcase Assembly No. 66-8030 (Continued)

Ref. No.	Part No.	Qty.	Description
53	32128-32	1	Nut-Hex, Flange
54	62-1170	2	Bushing-Intermediate
55	62-0330	1	Shaft-Intermediate
56	62-1350	2	Bushing-Output
57	62-0490	1	Gearcase-Upper, Casing
58	62-0480	1	Gearcase-Lower, Casing
59	62-1040	2	Yoke-Shift
60	29-9570	1	Bushing-Yoke
64	32121-120	2	Pin-Spring

Ref. No.	Part No.	Qty.	Description

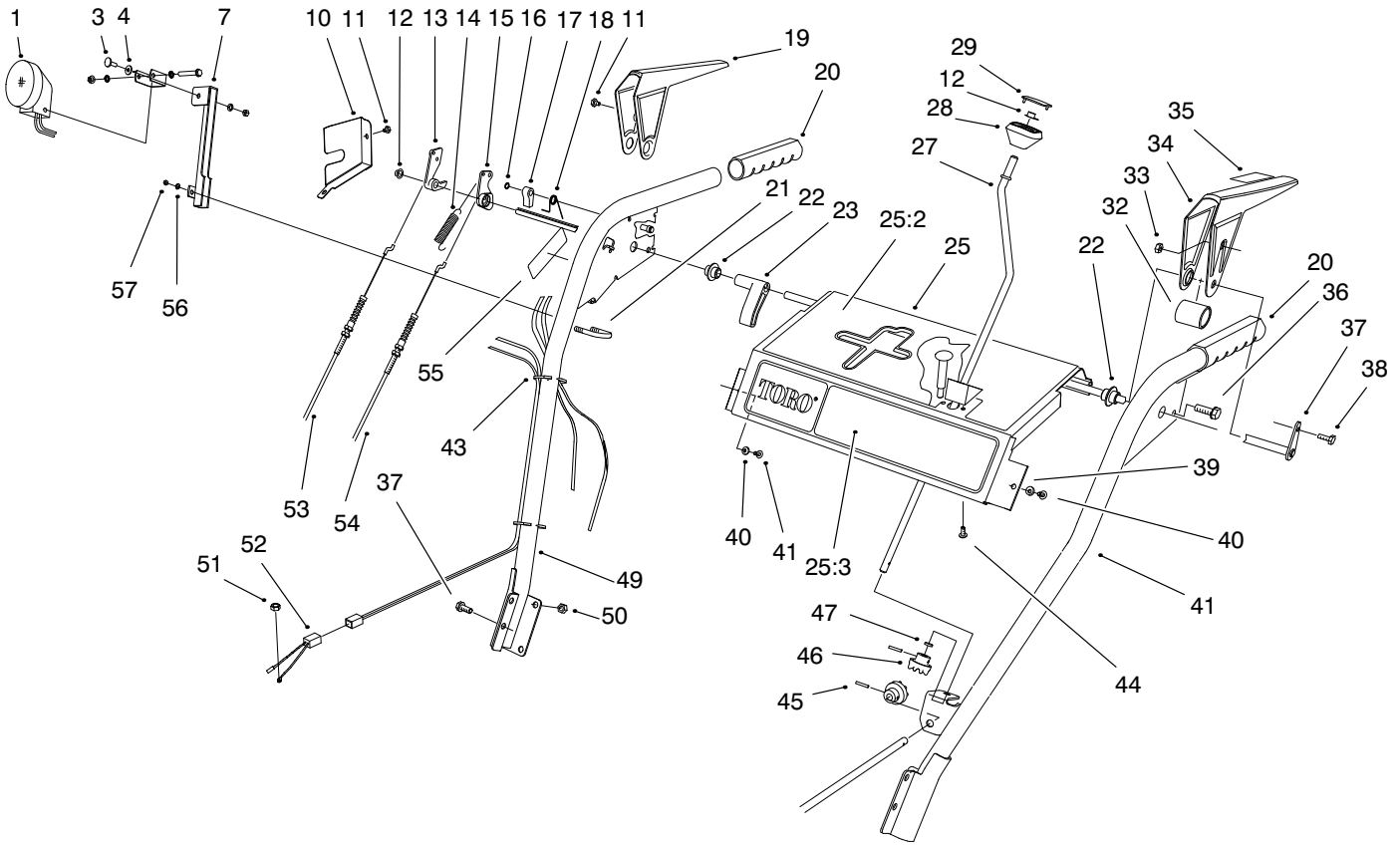




Sheet No.:4

## Power Shift Control Assembly

Ref. No.	Part No.	Qty.	Description	Ref. No.	Part No.	Qty.	Description
1	63-2220	1	Spring-Extension	26	63-2830	1	Rod-Bent Shift, Lower
2	63-2610	1	Pin-Tang	27	3220-3	1	Nut-Jam
3	63-2480	1	Decal-Number 2	28	78-2920	1	Ball-Joint
4	94-6961	2	Screw	29	3290-456	1	Washer-Belleville
5	62-1140	1	Cover-Latch	30	63-2210	1	Cable-Gearbox
6	32120-46	1	Ring-Retaining	31	63-2200	1	Cable-Arm, Latch
7	257-9	1	Washer-Thrust	32	63-2270	1	Spring-Torsion
8	62-1100	1	Lever Latch	33	62-0170	1	Wheel-Index
9	63-2240	1	Spring-Extension	34	62-1110	1	Lever-Wheel, Index
10	62-1700	1	Lever-Lockout	35	3290-320	1	Retainer-Push On
11	63-2650	2	Screw-Shoulder	36	62-1710	1	Spring-Flat
12	62-1130	1	Lever-Reverse	37	3290-422	1	Nut-Push
13	63-2230	1	Spring-Extension	38	62-0180	1	Tang-Index
14	62-1120	1	Lever-Reverse, Switch	39	62-1650	1	Spring-Torsion
15	63-2150-03	1	Control Frame ASM	40	62-1470	1	Base-Lockout
16	3256-23	3	Washer-Flat	41	67-9240	1	Rod-Shift
17	3296-29	7	Nut-Lock	42	62-1290	1	Knob-Shift
18	3296-42	1	Nut-Lock				
19	3256-1	2	Washer-Flat				
20	67-9250	1	Retainer-Rod, Shift				
21	321-9	1	Screw-HH				
22	66-7730	1	Clevis ASM				
23	256-296	2	Bushing				
24	3296-6	1	Nut-Lock Ni				
25	63-2630	1	Bracket-Shift				

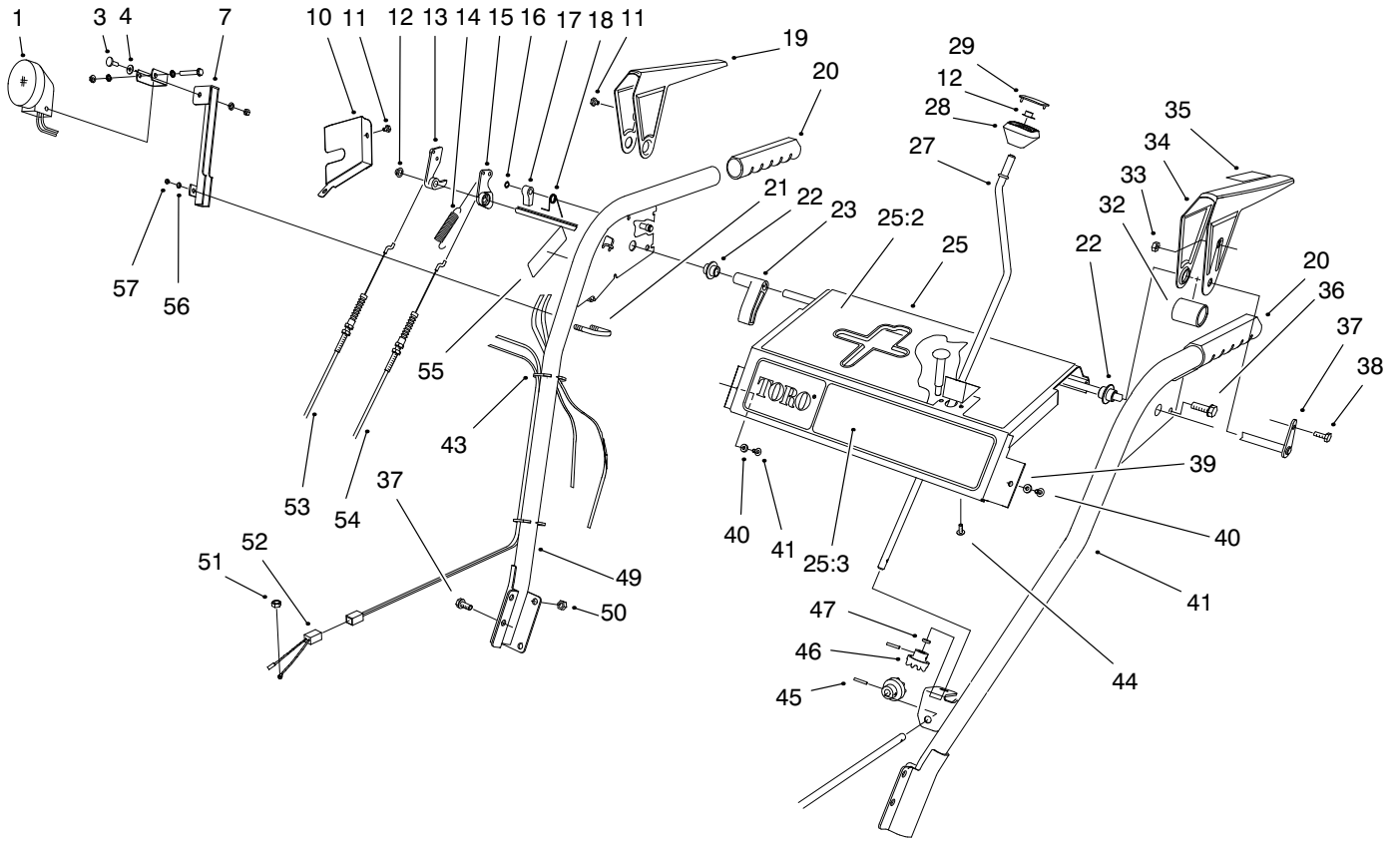


Sheet No.:5

## Handle and Control Assembly

Ref. No.	Part No.	Qty.	Description
1	54-9871	1	Headlamp ASM (only on: 38087)
3	3231-2	1	Screw-CARR (only on: 38087)
4	3256-26	1	Washer-Flat (only on: 38087)
7	68-7110-03	1	Mount-Light (only on: 38087)
10	63-2170-03	1	Cover-Lock, Lever
11	2210-250	3	Screw-HH
12	3290-320	2	Retainer-Push On
13	62-0300	1	Tang-Locking
14	88-0810	1	Spring-Extension
15	62-0290	1	Cam-Release
16	32151-66	1	E-Ring-Retainer
17	62-0280	1	Latch-Locking
18	63-2910	1	Spring-Torsion
19	62-1050-03	1	Lever-Traction, RH
20	66-7850	2	Grip-Handle
21	68-7140	1	U-Bolt (only on: 38087)
22	62-1070	2	Bushing-Lever
23	62-1640	1	Lever-Trip
25	100-3579	1	Control Panel ASM (only on: 38087)

Ref. No.	Part No.	Qty.	Description
25	100-3578	1	Control Panel ASM (only on: 38592)
25:2	99-3230	1	Decal-Top, Panel (only on: 38592)
25:2	99-3229	1	Decal-Control (only on: 38087)
25:3	100-3337	1	Decal - Panel Front (only on: 38592)
25:3	100-3440	1	Decal - Front Panel (only on: 38087)
27	63-2160	1	Crank-Rod, Chute
28	62-1320	1	Knob-Control, Chute
29	62-1520	1	Cover-Knob
32	63-3380	1	Spacer-Lever, Traction
33	3296-2	1	Nut-Lock
34	62-1060-03	1	Lever-Traction, LH
35	63-3050	1	Decal-Lever (only on: 38592)
36	32144-14	6	Screw-HWH
37	63-2030	1	Cross Rod ASM
38	3290-359	1	Screw-HWH
39	3256-14	2	Washer-Flat
40	32104-76	2	Screw-Acorn Slot
41	66-8091-03	1	LH Handle ASM
43	3290-378	2	Tie-Cable

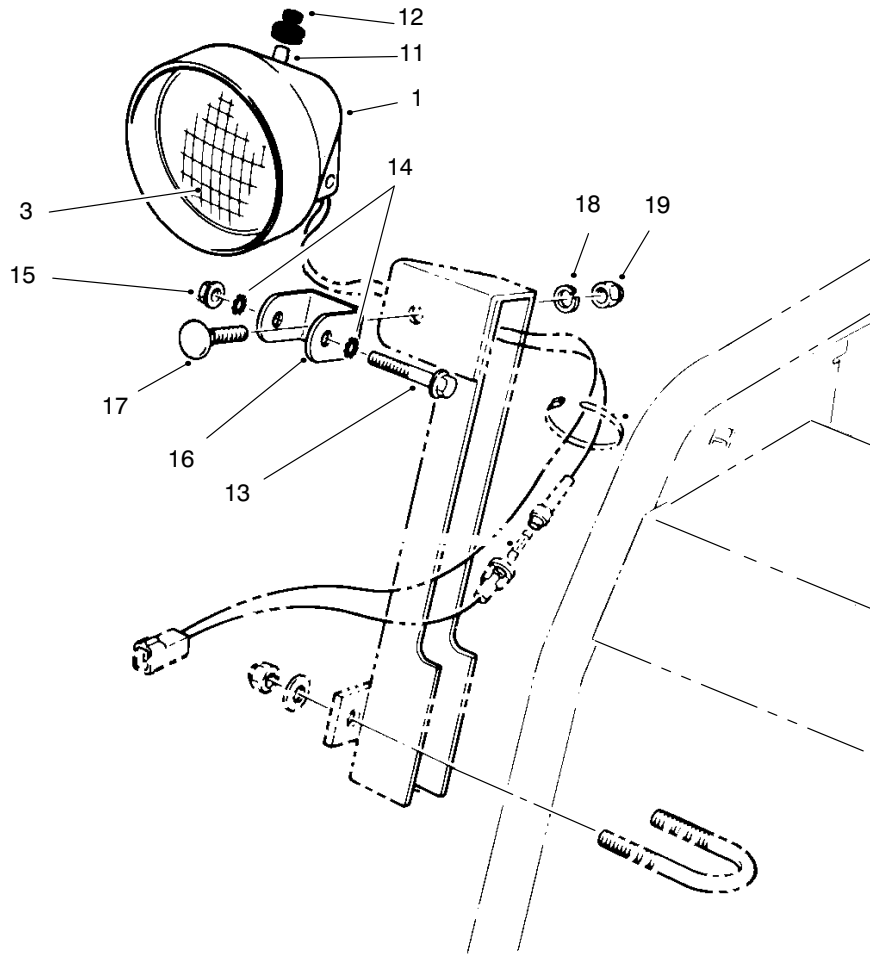


Sheet No.:5

### Handle and Control Assembly (Continued)

Ref. No.	Part No.	Qty.	Description
44	94-6961	2	Screw
45	32121-50	2	Pin-Spring
46	62-1460	2	Gear-Universal
47	62-1230	1	Washer-Rubber
49	100-3597	1	Handle ASM (only on: 38592)
49	100-3598	1	Handle ASM (only on: 38087)
49:2	66-6860	1	Decal-Warning (only on: 38592)
49:2	94-2575	1	Decal-Adjustment (only on: 38087)
50	3296-47	4	Nut-Lock Ni
51	3217-6	1	Nut-Hex (only on: 38087)
52	54-9810	1	Wire Assembly (only on: 38087)
53	63-2700	1	Cable-Impeller
54	63-2710	1	Cable-Traction
56	3256-23	2	Washer-Flat (only on: 38087)
57	3296-29	2	Nut-Lock (only on: 38087)

Ref. No.	Part No.	Qty.	Description

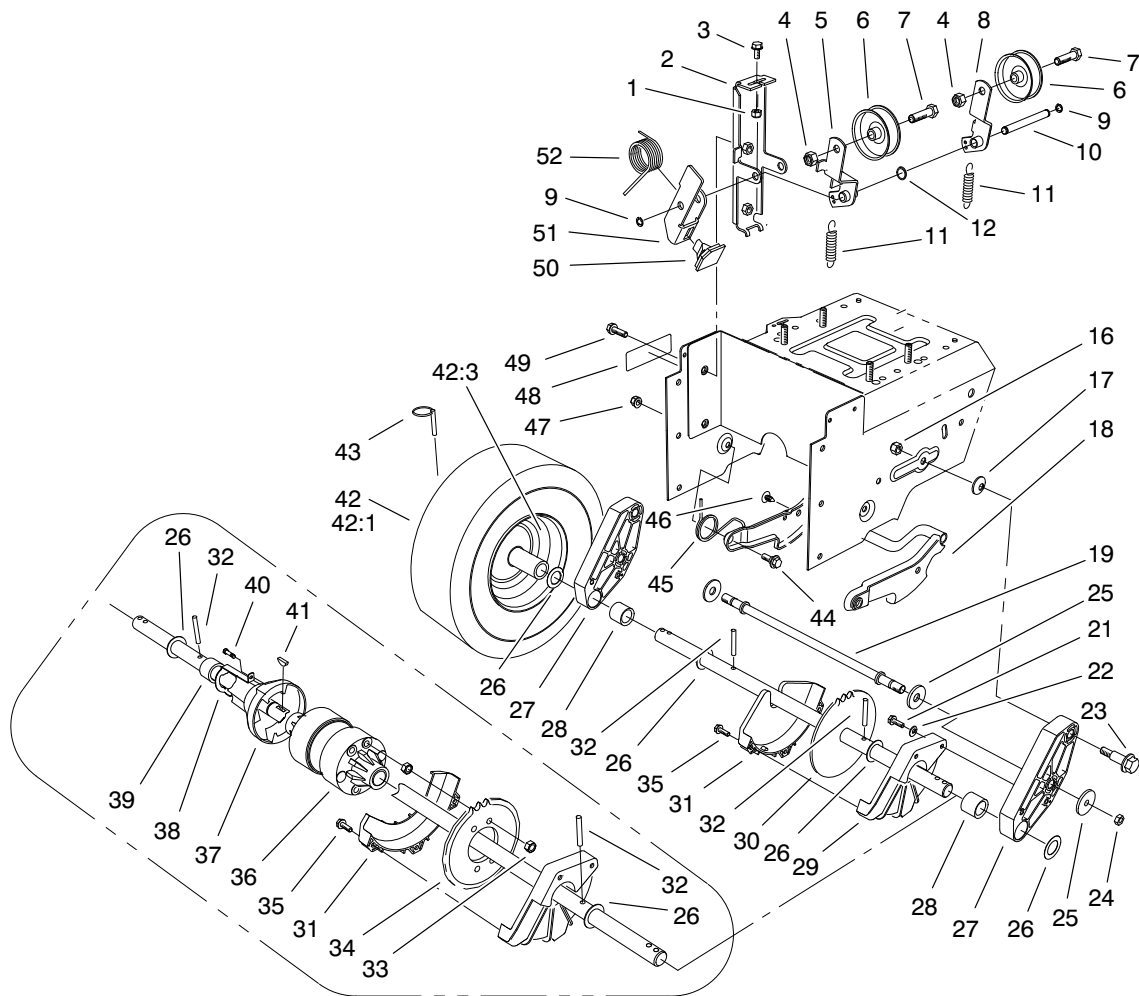


Sheet No.:A3  
C-2851

### Headlamp Assembly No. 54-9871 (only on: 38087)

Ref. No.	Part No.	Qty.	Description
1	218-552	1	Bucket-Headlamp (only on: 38087)
3	218-16	1	Beam-Sealed (only on: 38087)
11	218-553	1	Switch ASM (only on: 38087)
12	92-6033	1	Boot-Switch (only on: 38087)
13	322-13	1	Screw-HH (only on: 38087)
14	3255-8	2	Washer-Lock/Ext (only on: 38087)
15	32128-35	1	Nut-Hex, Flange (only on: 38087)
16	218-556	1	Bracket (only on: 38087)
17	3231-22	1	Screw-CARR (only on: 38087)
18	3253-21	1	Washer-Lock/Sp (only on: 38087)
19	3217-7	1	Nut-Hex (only on: 38087)

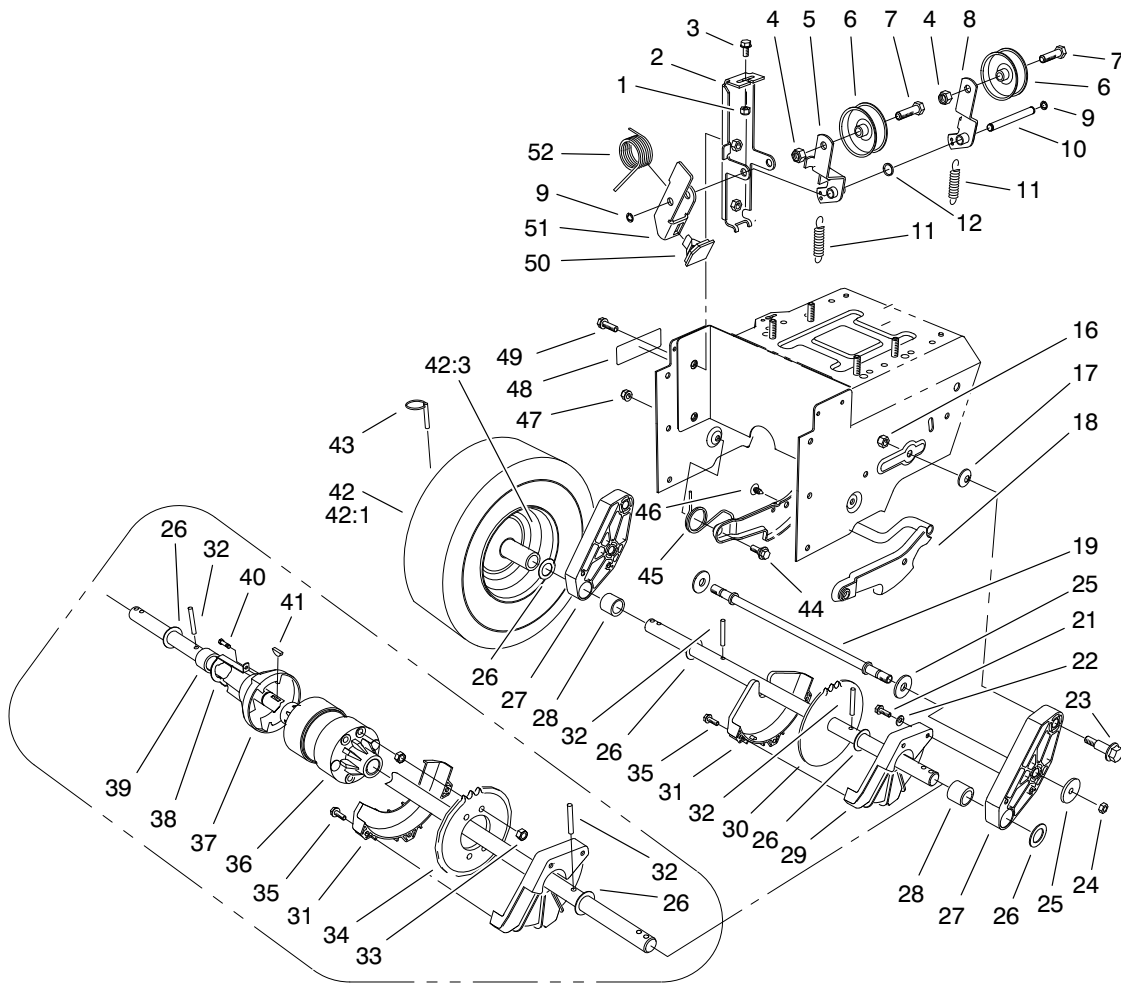
Ref. No.	Part No.	Qty.	Description



Sheet No.:6

## Lower Traction Assembly

Ref. No.	Part No.	Qty.	Description	Ref. No.	Part No.	Qty.	Description
1	3296-42	1	Nut-Lock	29	62-1010	1	Guard-Chain, LH
2	63-2850	1	Idler Arm Bracket ASM	30	63-2112	1	Axle (only on: 38087)
3	3234-13	1	Screw-HHF	31	62-1000	1	Guard-Chain, RH (only on: 38087)
4	3296-59	2	Nut-Lock Ni	31	68-9310	1	Guard-Chain (only on: 38592)
5	93-8046	1	Impeller Idler Arm ASM	32	32121-9	2	Pin-Spring
6	3-4244	2	Pulley-Idler	33	3296-47	6	Nut-Lock Ni (only on: 38592)
7	323-7	2	Screw-HH	34	68-9270	1	Sprocket, 32 T (only on: 38592)
8	93-8045	1	Traction Idler Arm ASM	35	94-4496	3	Screw-Pan Hd
9	32120-46	2	Ring-Retaining	36	68-9200	1	Differential Assembly (only on: 38592)
10	62-0970	1	Pin-Idler	37	68-9250	1	Coupling-Differential (only on: 38592)
11	63-2870	2	Spring-Extension	38	68-9260	1	Locknut-Spring (only on: 38592)
12	3256-38	1	Washer-Flat	39	95-7930	1	Spacer (only on: 38592)
16	3296-39	2	Nut-Lock Ni	40	32144-73	1	Screw-HWH (only on: 38592)
17	3290-461	2	Washer-Spring	41	3257-41	2	Key-Woodruff (only on: 38592)
18	62-0470-03	1	Latch ASM	42	67-9230	2	Wheel & Tire Assembly
19	66-7720	1	Rod-Latch	42:1	231-123	1	Tire
21	32144-4	2	Screw-HH				
22	3256-1	2	Washer-Flat				
23	62-1330	2	Bolt-Shoulder				
24	3296-23	2	Nut-Lock Ni				
25	63-3340	4	Washer-Support				
26	252-80	4	Bearing-Thrust				
27	66-7740	2	Pivot Arm ASM				
28	63-2250	2	Bushing-Axle				

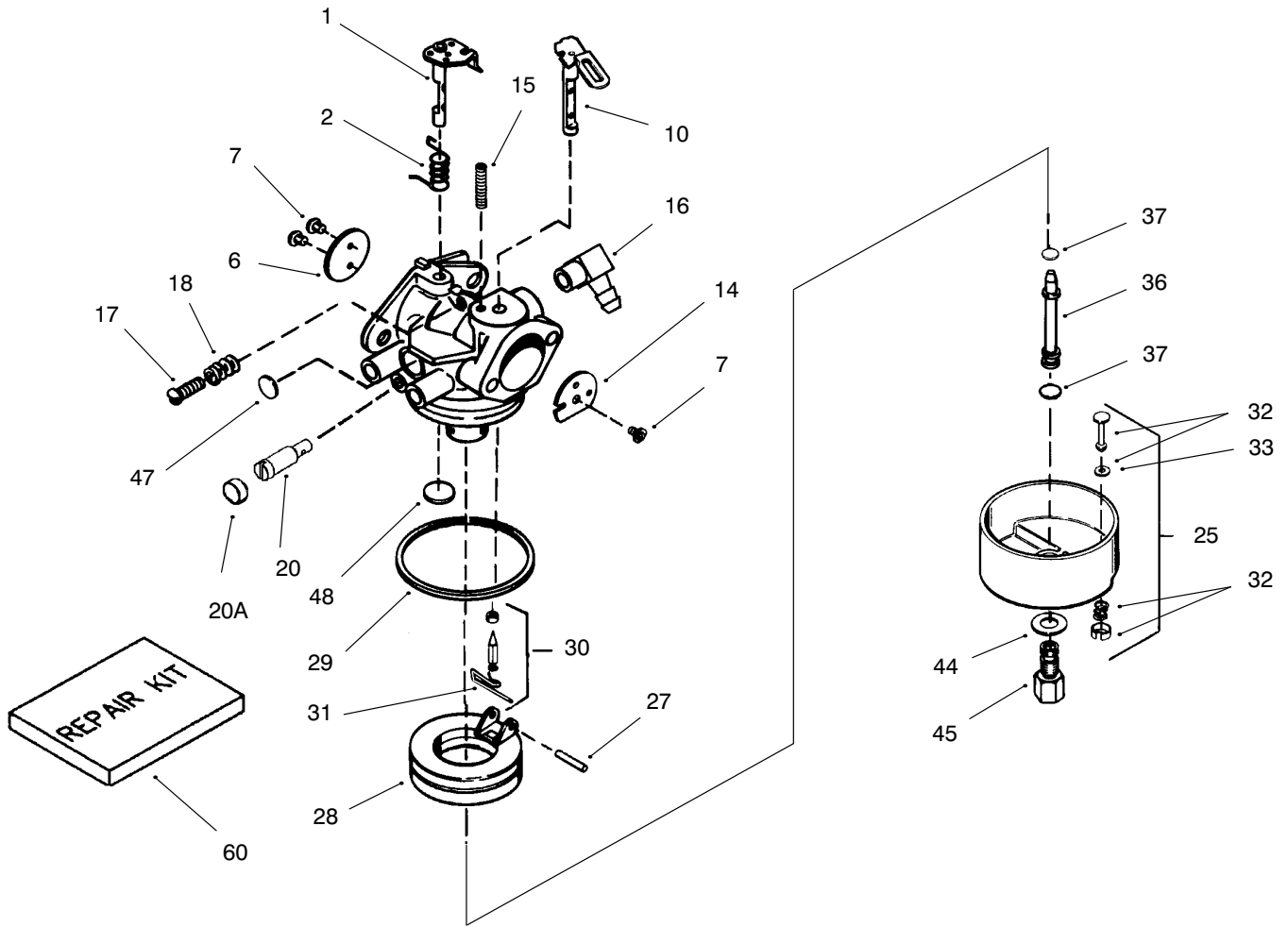


Sheet No.:6

### Lower Traction Assembly (Continued)

Ref. No.	Part No.	Qty.	Description	Ref. No.	Part No.	Qty.	Description
*42:2	232-48	1	Inner Tube				
42:3	241-127	1	Rim-Wheel				
43	3290-243	2	Pin-Lynch				
44	5-2490	2	Screw-Shoulder				
45	63-2740	1	Spring-Latch, Torsion				
46	3290-476	1	Fastener-Panel				
47	3296-47	2	Nut-Lock Ni				
49	3234-7	2	Screw-HHF				
50	66-8060	1	Pad-Brake				
51	63-2820	1	Arm-Brake				
52	63-2882	1	Spring-torsion				

\* Not illustrated



### Carburetor No. 640105

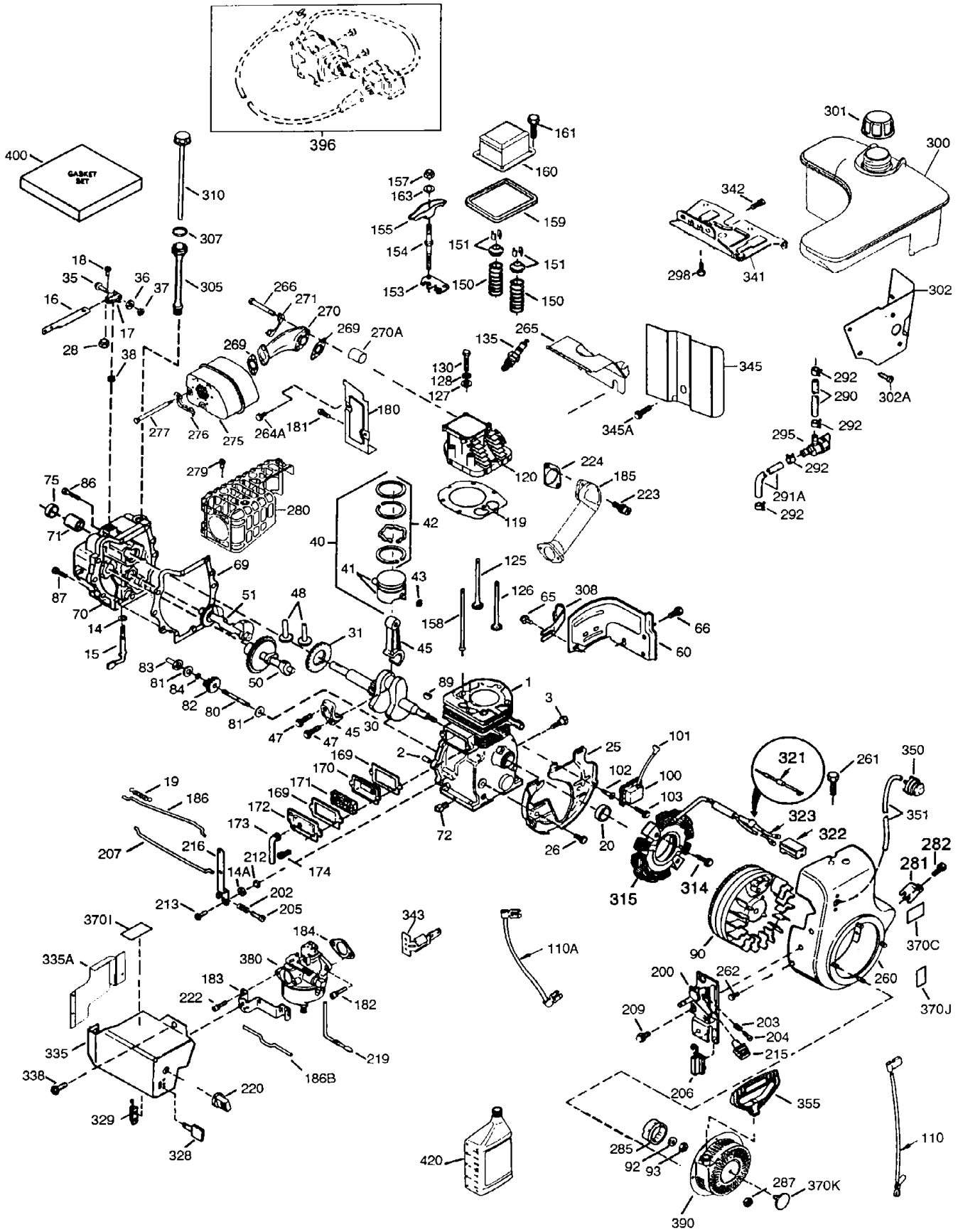
Ref. No.	Part No.	Qty.	Description
1	632787	1	Throttle Shaft & Lever ASM
1A	36288	1	Bushing
2	631970	1	Throttle Return Spring
6	640107	1	Throttle Shutter
7	650506	4	Shutter Screw
10	632513	1	Choke Shaft & Lever ASM
14	632429A	1	Choke Shutter
15	630735	1	Choke Positioning Spring
16	632527	1	Fuel Fitting
17	651025	1	Idle Speed Screw
18	630766	1	Tension Spring
20	640016	1	Idle Restrictor Screw
20A	640053	1	Idle Restrictor Screw Cap
25	632594A	1	Float Bowl ASM (Incl. Ref.# 32 & 33)
27	631024	1	Float Shaft
28	632019	1	Float
29	631028	1	Float Bowl O-Ring
30	631021	1	Inlet Needle, Seat, Clip (Incl. Ref.# 31)
31	631022	1	Spring Clip
32	27136	1	Bowl Drain ASM

Ref. No.	Part No.	Qty.	Description
33	27554	1	Drain Plunger Gasket
36	640005	1	Main Nozzle Tube
37	632547	2	O-Ring, Main Nozzle Tube
40	640106	1	High Speed Bowl Nut
44	27110A	1	Bowl Nut Washer
47	630748	1	Welch Plug, Idle Mixture Well
48	631027	1	Welch Plug, Vent
60	632760	1	Repair Kit

Obtain Parts From Tecumseh

# Engine Assembly

## OHSK 130-223819B (Only on: 38087)





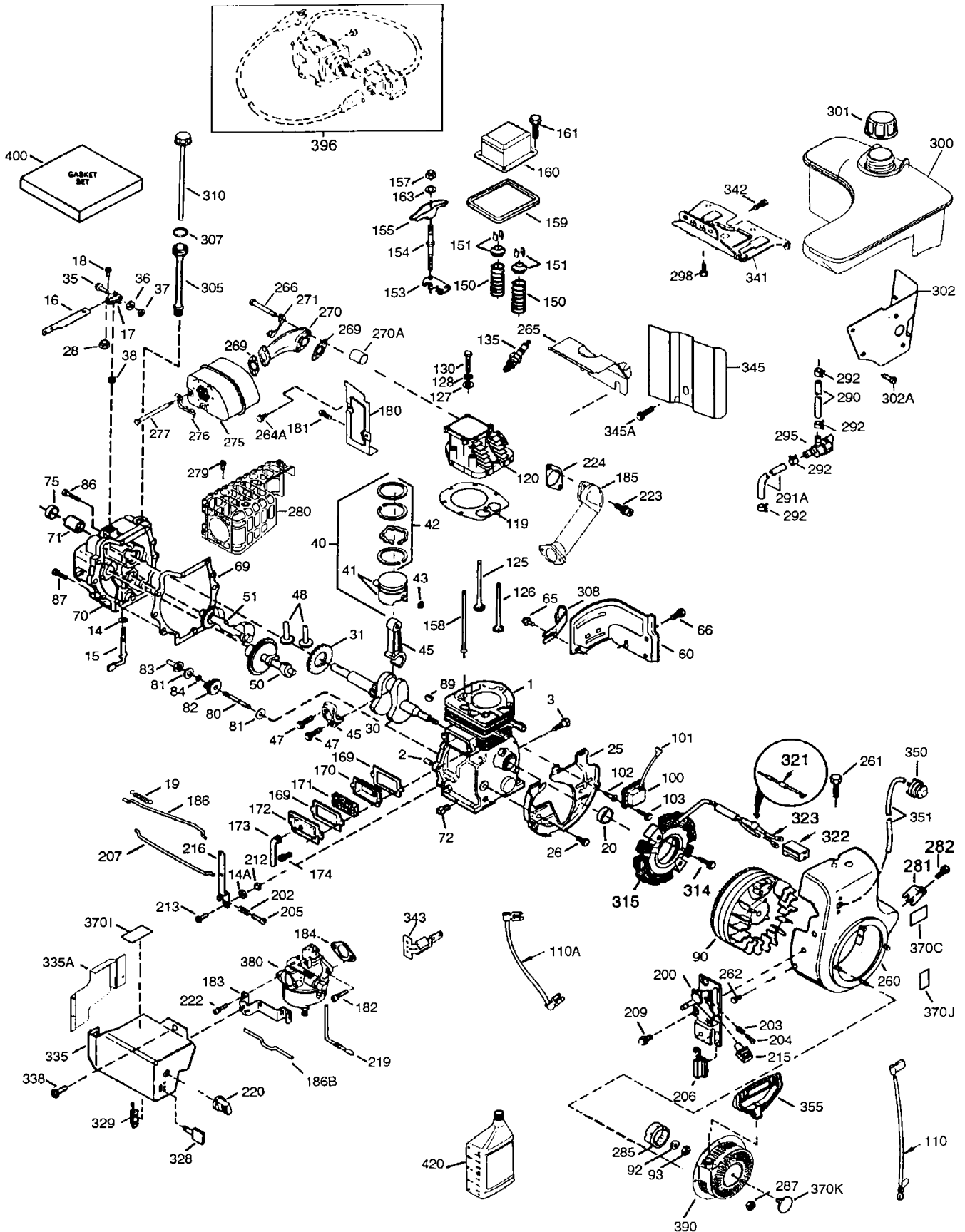
## Engine Assembly OHSK 130-223819B (Only on: 38087)

Ref. No.	Part No.	Qty.	Description	Ref. No.	Part No.	Qty.	Description
1	37083	1	Cylinder (Incl. Ref.# 2, 20, 72 & 80)	82	35321	1	Governor Gear ASM
2	27652	2	Dowel Pin	83	35322	1	Governor Spool
3	650820	2	Screw	84	29193	1	Retaining Ring
14	28277	1	Washer	86	650833	7	Screw
14A	651057	1	Washer	87	650832	1	Screw
15	35685	1	Governor Rod (Incl. Ref.#14 & 38)	89	32589	1	Flywheel Key
16	35686	1	Governor Lever	90	611094	1	Flywheel (W/Ring Gear)
17	29916	1	Governor Lever Clamp	92	650880	1	Lock Washer
18	651028	1	Screw – Torx	93	650881	1	Flywheel Nut
19	35688	1	Throttle Spring	100	35135	1	Solid State Ignition
20	35319	1	Oil Seal	101	610118	1	Spark Plug Cover
25	36460	1	Blower Housing Baffle	102	651024	2	Solid State Mounting Stud
26	650561	2	Screw	103	651007	2	Screw – Torx
28	30322	1	Lock Nut	110	35187	1	Ground Wire
30	36706	1	Crankshaft	110A	37047	1	Ground Wire
31	35327	1	Counterbalance Gear	119	36932	1	Cylinder Head Gasket
35	29826	1	Screw	120	37084	1	Cylinder Head
36	29918	1	Lock Washer	125	36934	1	Exhaust Valve (Std.)
37	29216	1	Lock Nut	125	36936	1	Exhaust Valve (1/32)
38	29642	3	Retaining Ring	126	36935	1	Intake Valve (Std.)
40	35776A	1	Piston, Pin & Ring Set (Std.)	126	36937	1	Intake Valve (1/32)
40	35777A	1	Piston, Pin & Ring Set (.010)	127	650691	6	Washer
40	35778A	1	Piston, Pin & Ring Set (.020)	128	650690	6	Belleville Washer
41	35773A	1	Piston & Pin Ass'y (Std.) (Incl. Ref.#43)	130	650697A	6	Screw
41	35774A	1	Piston & Pin Ass'y (.010) (Incl. Ref.#43)	135	34645	1	Spark Plug (RN4C)
41	35775A	1	Piston & Pin Ass'y. (.020) (Incl. Ref.# 43)	150	33507	2	Valve Spring
42	35779	1	Ring Set (Std.)	151	33508	2	Valve Spring Keeper
42	35780	1	Ring Set (.010)	153	35949	1	Push Rod Guide
42	35781	1	Ring Set (.020)	154	650945	2	Rocker Arm Stud
43	35772	2	Piston Pin Retaining Ring	155	35950	2	Rocker Arm
45	36898	1	Connecting Rod ASM (Incl. Ref.# 47)	157	650947	2	Jam Nut
47	651033	2	Connecting Rod Bolt	158	35466	2	Push Rod
48	35313	2	Valve Lifter	159	35952	1	Rocker Arm Cover Gasket
50	35682A	1	Camshaft (MCR)	160	35953A	1	Rocker Arm Cover
51	35315A	1	Counterbalance Weight	161	30063	4	Screw – Torx
60	35316A	1	Blower Housing Extension	163	650890	2	Lock Washer
65	30200	1	Screw	169	27896A	2	Valve Cover Gasket
66	30063	1	Screw – Torx	170	28423	1	Breather Body
69	35683	1	Cylinder Cover Gasket	171	28424	1	Breather Element
70	35684A	1	Cylinder Cover (Incl. Ref.#14,15,38,71,75)	172	28425	1	Valve Cover
71	35377	1	Crankshaft Bushing	173	35350	1	Breather Tube
72	27642	1	Oil Drain Plug	174	650128	2	Screw
75	35319	1	Oil Seal	180	35954	1	Blower Housing Extension
80	35751	1	Governor Shaft	181	30200	2	Lock Nut
81	35479	2	Washer	182	650517	2	Screw – Torx
				183	34583A	1	Choke Bracket
				184	33263	1	Carb. To Intake Pipe Gasket
				185	37085	1	Intake Pipe
				186	35691	1	Governor Link

Obtain Parts From Tecumseh

# Engine Assembly

## OHSK 130-223819B (Only on: 38087) (Continued)



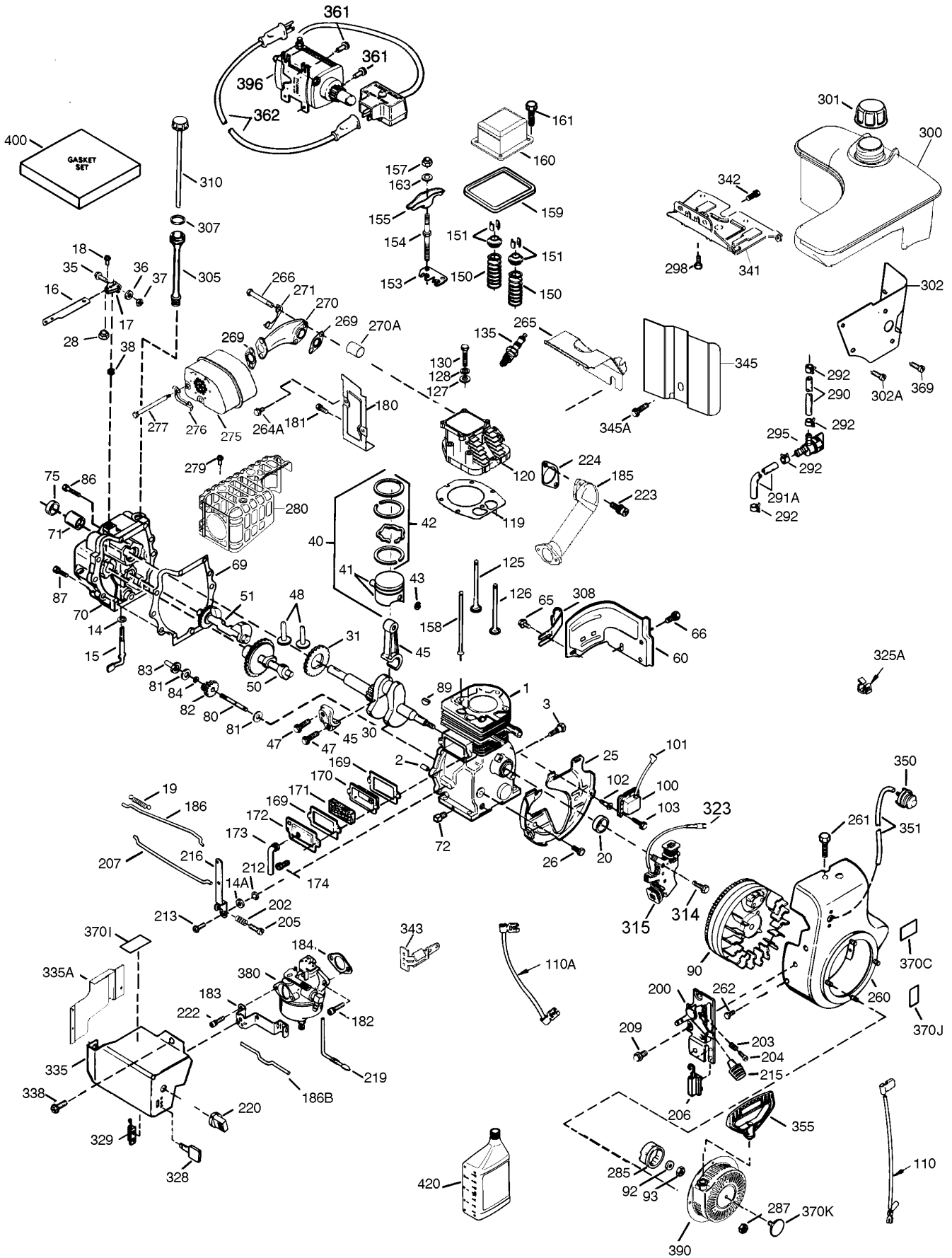
## Engine Assembly

### OHSK 130-223819B (Only on: 38087) (Continued)

Ref. No.	Part No.	Qty.	Description	Ref. No.	Part No.	Qty.	Description
186B	36653	1	Choke Spring	323	611118	2	Terminal
200	35702	1	Control Bracket (Incl. Ref.#203 & 204)	328	35062	2	Ignition Keys
202	36482	1	Compression Spring	329	610973	1	Terminal
203	31342	1	Compression Spring	335	37096	1	Carburetor Cover
204	651029	1	Screw – Torx	335A	37087	1	Carburetor Cover
205	651019	1	Screw – Torx	338	650821	4	Screw
206	610973	1	Terminal	341	37093	1	Fuel Tank Bracket
207	35692	1	Choke Link	342	792028	2	Screw
209	650821	2	Screw	343	35079	1	Key Switch Bracket
212	30773A	1	Bushing	345	37097	1	Heat Baffle
213	650930	1	Screw	345A	650821	1	Screw
215	35438	1	Control Knob	350	570682A	1	Primer Assembly
216	35679	1	R.P.M. Adjusting Lever	351	32180C	1	Primer Line
219	35689	1	Choke Rod	355	590574	1	Starter Handle
220	35440	1	Choke Knob	370C	36501	1	Primer Decal
222	28820	2	Screw	370I	37119	1	Warning Decal
223	650971	2	Screw – Torx	370J	37226	1	Throttle Decal
224	33515A	1	Intake Pipe Gasket	370K	36695	1	Starter Decal
260	37092	1	Blower Housing	380	640105	1	Carburetor (Incl. Ref.# 184)
261	650738	1	Screw	390	590749	1	Rewind Starter
262	29747B	2	Screw – Torx	396	33329E	1	Electric Starter Motor (Optional)
264A	30063	1	Screw – Torx	400	36947B	1	Gasket Set
265	37086	1	Cylinder Head Cover	420	730226A	1	SAE 5W/30 4-Cycle Engine Oil (Quart)
266	650876	2	Screw				
269	35762	2	Exhaust Gasket				
270	37263	1	Manifold				
270A	35829A	1	Exhaust Port Liner				
271	35293	1	Locking Plate (Manifold)				
275	37264	1	Muffler				
276	36348	1	Locking Plate				
277	650877	2	Screw				
279	651011	4	Screw				
280	37265	1	Heat Shield				
281	33013	1	Starter Bubble Cover				
282	650760	1	Screw				
285	35985B	1	Starter Cup				
287	29752	4	Nut & Lock Washer				
290	30962	1	Fuel Line				
291A	29774	1	Fuel Line				
292	26460	4	Fuel Line Clamp				
295	35857	1	Fuel Shut-Off Valve				
298	650665	2	Screw				
300	37099	1	Fuel Tank (Incl. 292 & 301)				
301	36246	1	Fuel Cap				
302	37098	1	Fuel Tank Extension				
302A	650821	3	Screw				
305	35574	1	Oil Fill Tube				
307	35499	1	O-Ring				
308	35539	1	Fill Tube Clip				
310	35700	1	Dipstick				
314	650873	1	Screw				
315	611104	1	Alternator Coil (3/5) (Incl. Ref.#321-323)				
321	611161	1	Diode				
322	611142	1	Connector Body				

Obtain Parts From Tecumseh

# Engine Assembly OHSK 130-223818B (Only on: 38592)



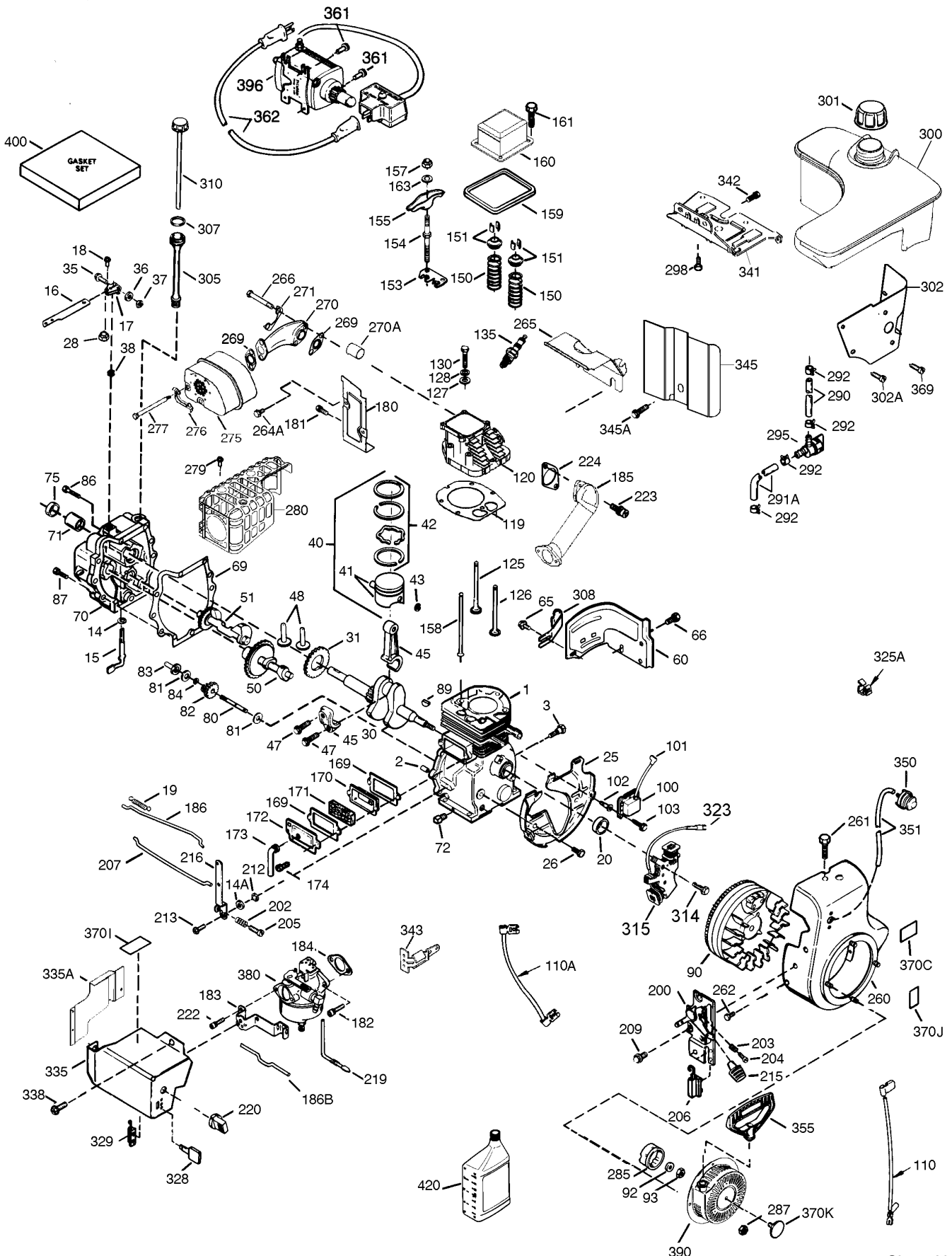
## Engine Assembly OHSK 130-223818B (Only on: 38592)

Ref. No.	Part No.	Qty.	Description	Ref. No.	Part No.	Qty.	Description
1	37083	1	Cylinder (Incl. Ref.# 2, 20, 72 & 80)	75	35319	1	Oil Seal
2	27652	2	Dowel Pin	80	35751	1	Governor Shaft
3	650820	2	Screw	81	35479	2	Washer
14	28277	1	Washer	82	35321	1	Governor Gear ASM
14A	651057	1	Washer	83	35322	1	Governor Spool
15	35685	1	Governor Rod (Incl. Ref.#14 & 38)	84	29193	1	Retaining Ring
16	35686	1	Governor Lever	86	650833	7	Screw
17	29916	1	Governor Lever Clamp	87	650832	1	Screw
18	651028	1	Screw - Torx	89	32589	1	Flywheel Key
19	35688	1	Throttle Spring	90	611093	1	Flywheel (W/Ring Gear)
20	35319	1	Oil Seal	92	650880	1	Lock Washer
25	36460	1	Blower Housing Baffle	93	650881	1	Flywheel Nut
26	650561	2	Screw	100	35135	1	Solid State Ignition
28	30322	1	Lock Nut	101	610118	1	Spark Plug Cover
30	36706	1	Crankshaft	102	651024	2	Solid State Mounting Stud
31	35327	1	Counterbalance Gear	103	651007	2	Screw - Torx
35	29826	1	Screw	110	35187	1	Ground Wire
36	29918	1	Lock Washer	110A	37047	1	Ground Wire
37	29216	1	Lock Nut	119	36932	1	Cylinder Head Gasket
38	29642	3	Retaining Ring	120	37084	1	Cylinder Head
40	35776A	1	Piston, Pin & Ring Set (Std.)	125	36934	1	Exhaust Valve (Std.)
40	35777A	1	Piston, Pin & Ring Set (.010)	125	36936	1	Exhaust Valve (1/32)
40	35778A	1	Piston, Pin & Ring Set (.020)	126	36935	1	Intake Valve (Std.)
41	35773A	1	Piston & Pin Ass'y (Std.) (Incl. Ref.#43)	126	36937	1	Intake Valve (1/32)
41	35774A	1	Piston & Pin Ass'y (.010) (Incl. Ref.#43)	127	650691	6	Washer
41	35775A	1	Piston & Pin Ass'y (.020) (Incl. Ref.# 43)	128	650690	6	Belleville Washer
42	35779	1	Ring Set (Std.)	130	650697A	6	Screw
42	35780	1	Ring Set (.010)	135	34645	1	Spark Plug (RN4C)
42	35781	1	Ring Set (.020)	150	33507	2	Valve Spring
43	35772	2	Piston Pin Retaining Ring	151	33508	2	Valve Spring Keeper
45	36898	1	Connecting Rod ASM (Incl. Ref.# 47)	153	35949	1	Push Rod Guide
47	651033	2	Connecting Rod Bolt	154	650945	2	Rocker Arm Stud
48	35313	2	Valve Lifter	155	35950	2	Rocker Arm
50	35682A	1	Camshaft (MCR)	157	650947	2	Jam Nut
51	35315A	1	Counterbalance Weight	158	35466	2	Push Rod
60	35316A	1	Blower Housing Extension	159	35952	1	Rocker Arm Cover Gasket
65	30200	1	Screw	160	35953A	1	Rocker Arm Cover
66	30063	1	Screw - Torx	161	30063	4	Screw - Torx
69	35683	1	Cylinder Cover Gasket	163	650890	2	Lock Washer
70	35684A	1	Cylinder Cover (Incl. Ref.#14,15,38,71,75)	169	27896A	2	Valve Cover Gasket
71	35377	1	Crankshaft Bushing	170	28423	1	Breather Body
72	27642	1	Oil Drain Plug	171	28424	1	Breather Element
				172	28425	1	Valve Cover
				173	35350	1	Breather Tube
				174	650128	2	Screw
				180	35954	1	Blower Housing Extension
				181	30200	2	Lock Nut
				182	650517	2	Screw - Torx
				183	34583A	1	Choke Bracket
				184	33263	1	Carb. To Intake Pipe Gasket
				185	37085	1	Intake Pipe
				186	35691	1	Governor Link

Obtain Parts From Tecumseh

# Engine Assembly

## OHSK 130-223818B (Only on: 38592) (Continued)

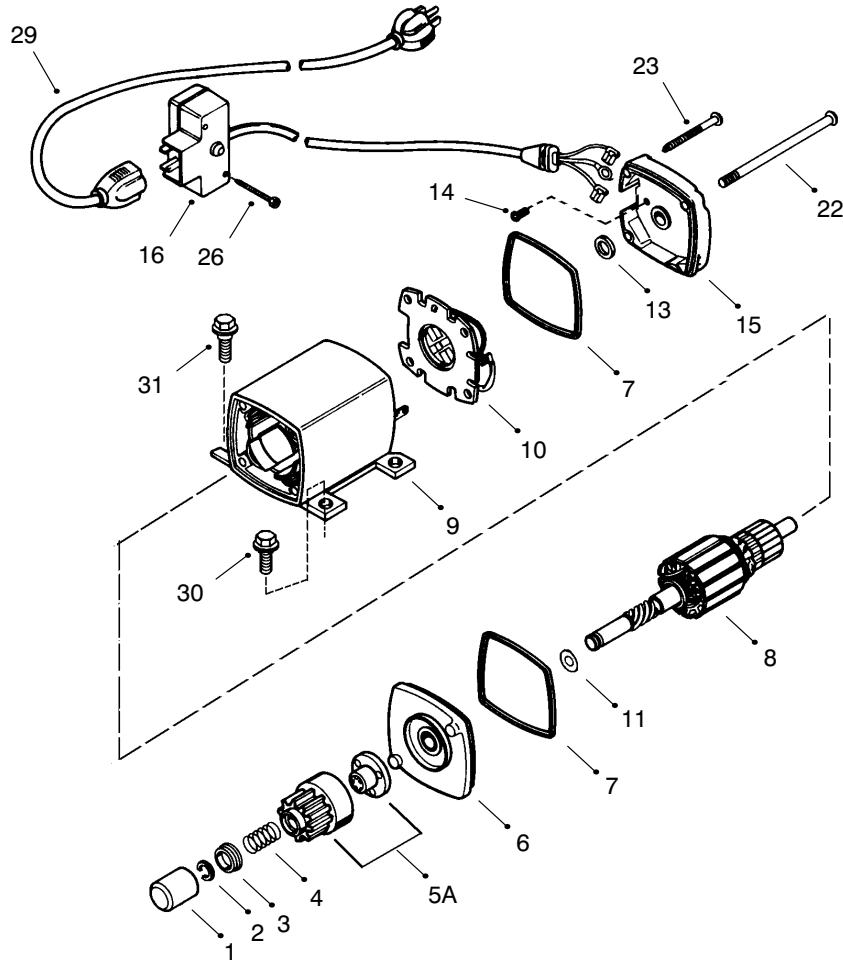


## Engine Assembly

### OHSK 130-223818B (Only on: 38592) (Continued)

Ref. No.	Part No.	Qty.	Description	Ref. No.	Part No.	Qty.	Description
186B	36653	1	Choke Spring	335	37096	1	Carburetor Cover
200	35702	1	Control Bracket (Incl. Ref.#203 & 204)	335A	37087	1	Carburetor Cover
202	36482	1	Compression Spring	338	650821	4	Screw
203	31342	1	Compression Spring	341	37093	1	Fuel Tank Bracket
204	651029	1	Screw - Torx	342	792028	2	Screw
205	651019	1	Screw - Torx	343	35079	1	Key Switch Bracket
206	610973	1	Terminal	345	37097	1	Heat Baffle
207	35692	1	Throttle Link	345A	650821	1	Screw
209	650821	2	Screw	350	570682A	1	Primer Assembly
212	30773A	1	Bushing	351	32180C	1	Primer Line
213	650930	1	Screw	355	590574	1	Starter Handle
215	35438	1	Control Knob	361	650990	2	Screw - Torx
216	35679	1	R.P.M. Adjusting Lever	362	32450B	1	Extension Cord
219	35689	1	Choke Rod	369	651032	2	Screw
220	35440	1	Choke Knob	370C	36501	1	Primer Decal
222	28820	2	Screw	370I	37119	1	Warning Decal
223	650971	2	Screw - Torx	370J	37226	1	Throttle Decal
224	33515A	1	Intake Pipe Gasket	370K	36695	1	Starter Decal
260	37092	1	Blower Housing	380	640105	1	Carburetor (Incl. Ref.# 184)
261	650738	1	Screw	390	590749	1	Rewind Starter
262	29747B	2	Screw - Torx	396	37105	1	Electric Starter Motor (120 Volt)
264A	30063	1	Screw - Torx	400	36947B	1	Gasket Set
265	37086	1	Cylinder Head Cover	420	730226A	1	SAE 5W/30 4-Cycle Engine Oil (Quart)
266	650876	2	Screw				
269	35762	2	Exhaust Gasket				
270	37263	1	Manifold				
270A	35829A	1	Exhaust Port Liner				
271	35293	1	Locking Plate (Manifold)				
275	37264	1	Muffler				
276	36348	1	Locking Plate				
277	650877	2	Screw				
279	651011	4	Screw				
280	37265	1	Heat Shield				
285	35985B	1	Starter Cup				
287	29752	4	Nut & Lock Washer				
290	30962	1	Fuel Line				
291A	29774	1	Fuel Line				
292	26460	4	Fuel Line Clamp				
295	35857	1	Fuel Shut-Off Valve				
298	650665	2	Screw				
300	37099	1	Fuel Tank (Incl. Ref.# 292 & 301)				
301	36246	1	Fuel Cap				
302	37098	1	Fuel Tank Extension				
302A	650821	3	Screw				
305	35574	1	Oil Fill Tube				
307	35499	1	O-Ring				
308	35539	1	Fill Tube Clip				
310	35700	1	Dipstick				
314	650873	1	Screw				
315	611111	1	Alternator Coil (18 Watt) (Incl. Ref.# 323)				
323	611118	1	Terminal				
328	35062	2	Ignition Keys				
329	610973	1	Terminal				

Obtain Parts From Tecumseh

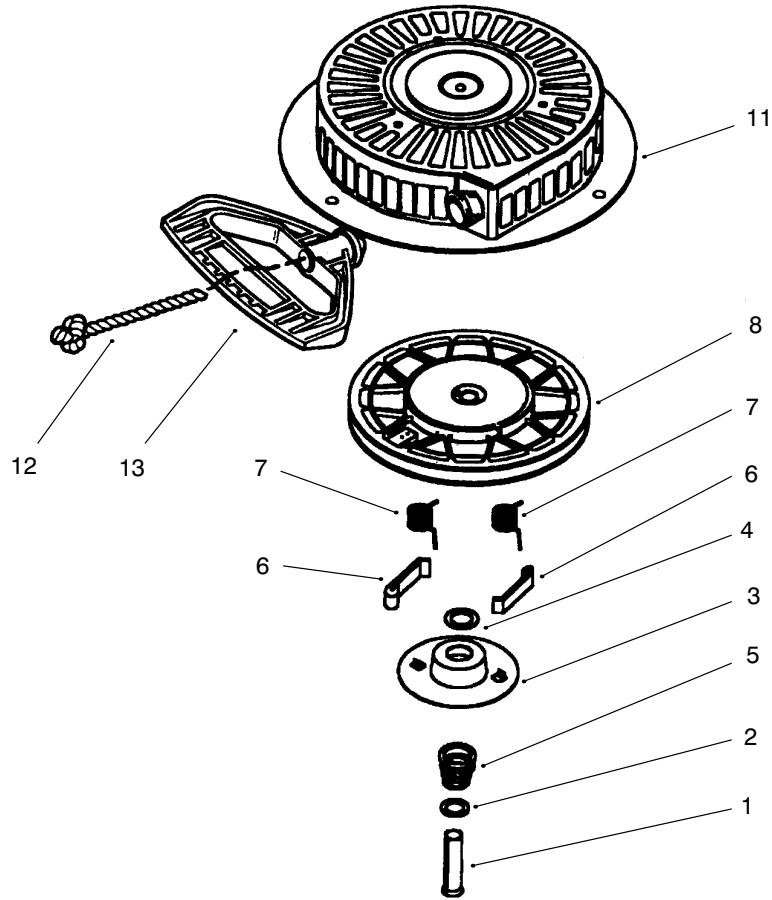


## Electric Starter (110 Volt) No. 37105

Ref. No.	Part No.	Qty.	Description	Ref. No.	Part No.	Qty.	Description
1	33451	1	Dust Cover				
2	33842	1	Retainer Ring				
3	33430	1	Spring Retainer				
4	33431	1	Anti-drift Spring				
5A	37050	1	Gear & Nut (Incl. Ref.# 2)				
6	35449	1	Drive End Cap ASM (Incl. Ref.# 7)				
7	35450	2	O-Ring				
8	35915	1	Armature				
9	35451B	1	Housing ASM				
10	35452A	1	Brush Card ASM				
11	35911	1	Thrust Washer				
13	590500	1	Thrust Washer				
14	33441	1	Ground Screw				
15	35453	1	Commutator End Cap ASM (Incl. Ref.# 7)				
16	35454	1	Switch Box ASM				
22	35455	2	Case Bolt				
23	35456	1	Ground Screw				
26	650819	2	Screw				
26	651032	2	Screw				
29	32450B	1	Extension Cord				
30	30063	2	Screw - Torx				
31	650820	2	Screw				

Obtain Parts From Tecumseh



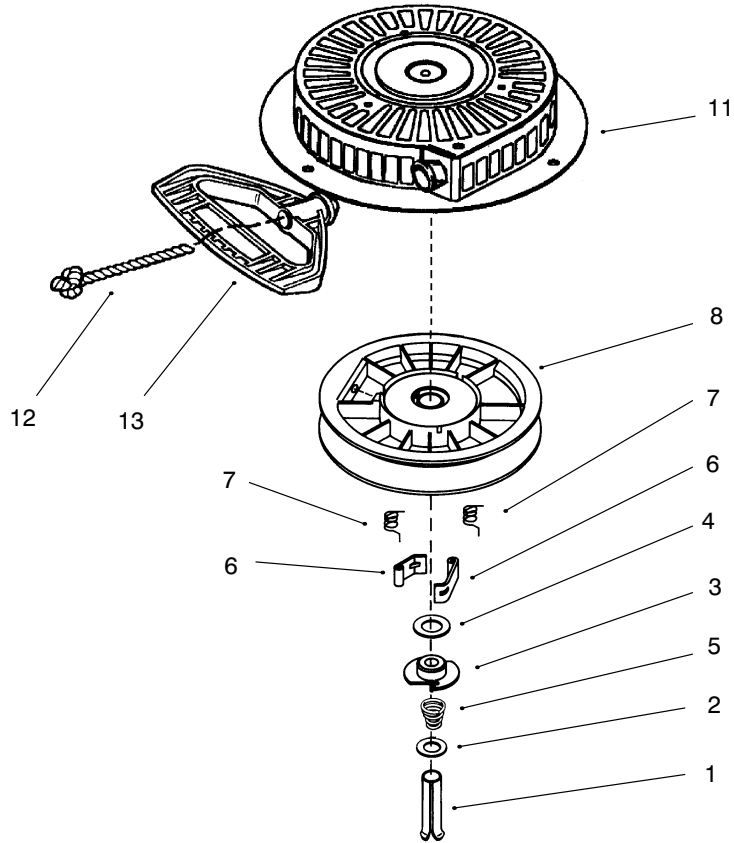


### Recoil Starter No. 590733

Ref. No.	Part No.	Qty.	Description
1	590599A	1	Spring Pin (Incl. Ref.# 4)
2	590600	1	Washer
3	590696	1	Retainer
4	590601	1	Washer
5	590697	1	Brake Spring
6	590698	2	Starter Dog
7	590699	2	Dog Spring
8	590709	1	Pulley & Rewind Spring ASM
11	590734	1	Starter Housing ASM
12	590535	1	Starter Rope
13	590574	1	Mitten Grip Handle

Ref. No.	Part No.	Qty.	Description

Obtain Parts From Tecumseh



### Recoil Starter No. 590749 (Optional)

Ref. No.	Part No.	Qty.	Description
1	590599A	1	Spring Pin (Incl. Ref.# 4)
2	590600	1	Washer
3	590679	1	Retainer
4	590601	1	Washer
5	590678	1	Brake Spring
6	590680	2	Starter Dog
7	590412	2	Dog Spring
8	590682	1	Pulley & Rewind Spring ASM
11	590750	1	Starter Housing ASM
12	590535	1	Starter Rope
13	590574	1	Mitten Grip Handle

Ref. No.	Part No.	Qty.	Description

Obtain Parts From Tecumseh

# Maintenance Record

Date								

