



REAR ATTACH-A-MATIC™ HITCH	
PART NO. 100-3390	INSTALLATION INSTRUCTIONS

Loose Parts

Note: Use the chart below to identify parts for assembly.

DESCRIPTION	QTY.	USE
Mounting bracket assembly	1	Assemble Attach-A-Matic™
Mounting bracket	2	
Locknut 3/8-16	4	
Carriage bolt 3/8-16 x 3 1/2" (89 mm)	4	

Assembling the Rear Attach-A-Matic™ Hitch

The rear Attach-A-Matic™ is mounted on the rear axle of the tractor.

1. Push one bolt upward through the rear hole on each side of the Attach-A-Matic™, then through a mounting bracket (Fig. 1).

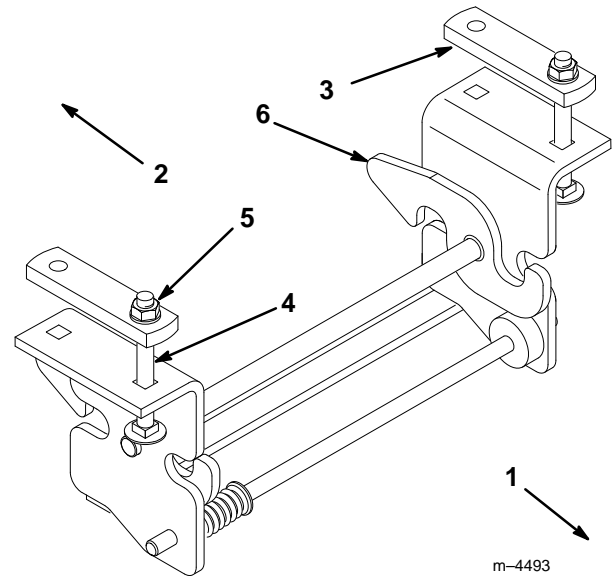


Figure 1

- | | |
|--|---|
| <ol style="list-style-type: none"> 1. Facing front of tractor 2. Facing rear of tractor 3. Mounting bracket | <ol style="list-style-type: none"> 4. Carriage bolt, 3/8-16 x 3 1/2" (89 mm) 5. Locknut, 3/8" 6. Latch |
|--|---|

2. Begin to thread a locknut onto the end of each bolt (Fig. 1).
3. Place the Attach-A-Matic™ under the rear axle (Fig. 2), and rotate the mounting brackets over the top of the axle to hold the Attach-A-Matic™ in place.
4. Push the remaining two bolts upward through the front holes on the Attach-A-Matic™, then through the remaining holes on the mounting brackets. Thread a locknut onto each of these bolts.

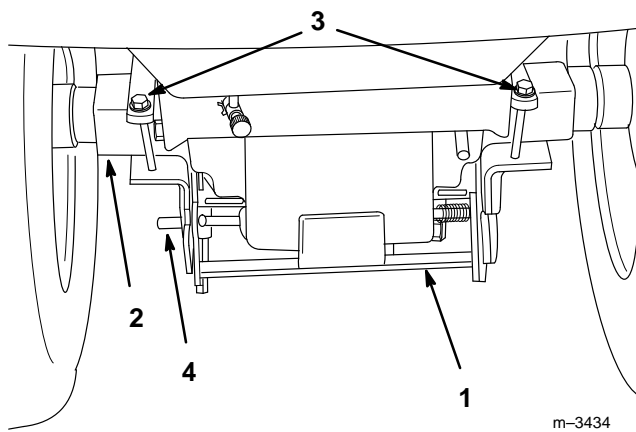


Figure 2

- | | |
|--------------------|-------------------|
| 1. Attach-A-Matic™ | 3. Locknuts |
| 2. Axle housing | 4. Release button |

5. Tighten the nuts evenly on the bolts to hold the Attach-A-Matic™ in place.
6. When mounting an attachment to the rear Attach-A-Matic™, press on the release button (Fig. 2) and open the latches. Connect the attachment into the Attach-A-Matic™, then close the latches (Fig.3). Make sure the release button snaps back out and locks the latch in place, after closing it.

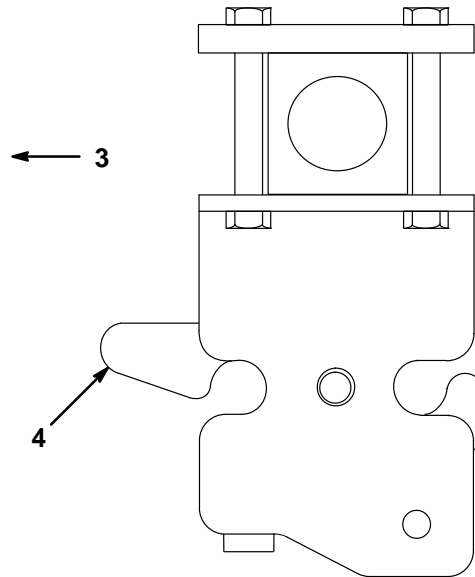


Figure 3

- | | |
|--------------------|----------|
| 5. Rear of tractor | 6. Latch |
|--------------------|----------|