



Dingo[®] TX
Compact Utility Loader
Model No. 22306—200000001 and Up

Parts Catalog

Ordering Replacement Parts

To order replacement parts, please supply: the part number, the quantity, and the description of each part desired.

Understanding Reference Numbers

Each identified part in an illustration has a reference number. The reference number for a part also appears in the parts list, along with other information about the part.

This catalog uses two special reference number formats, one to indicate parts in a service assembly and another to indicate the quantity of a given part in an illustration.

Service Assembly Reference Numbers

Parts in service assemblies have reference numbers in the form **a:b**. The **a** represents the reference number of the entire service assembly and the **b** represents a sequential number unique to each part within the service assembly.

For example, a wheel assembly might be identified by reference number **6**, the tire by **6:1**, the valve by **6:2**, and the wheel by **6:3**. When you order the assembly identified by reference number **6**, you receive all parts identified by reference numbers **6:1**, **6:2**, and **6:3**. However, you may also order any part individually.

Reference numbers of this type appear in illustrations and in part lists.

Reference Numbers Indicating Quantity

In an illustration, if a reference number indicates more than one part, the reference number has the form **nX y**. The **n** represents the quantity of the part, the **X** is the multiplication symbol, and the **y** represents the reference number.

For example, in an illustration, the reference number **2X 37** means that two of the parts identified by reference number **37** are indicated.

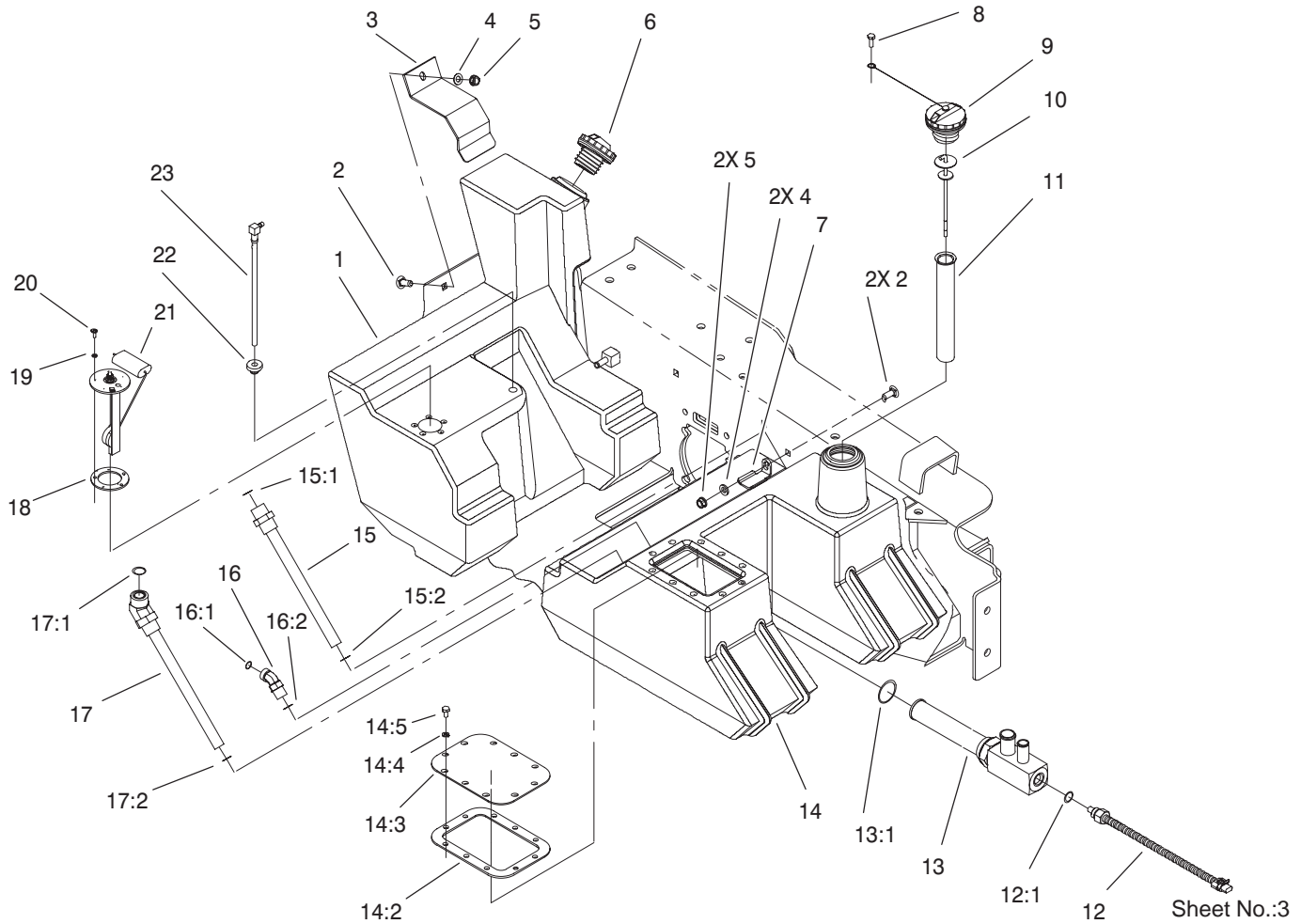
Contents

Description	Page	Description	Page
Main Chassis Assembly	3	Rear Access Panel Assembly	21
Fuel and Hydraulic Tank Assembly	4	Quick Attach Assembly	22
Track and Traction Assembly	5	Electrical Schematic	23
Brake Assembly	6	Hydraulic Schematic	24
Loader Tower and Drive Assembly	7	Group 1 – Crankshaft	25
Traction Hydraulics Assembly	8	Group 2 – Crankcase	26
Engine and Mounting Assembly	9	Group 3 – Oil Pan/Lubrication	27
Hydraulic Pump Assembly	10	Group 4 – Head/Valve/Breather	28
Control Panel Assembly	12	Group 5 – Ignition/Electrical	29
Traction Control Assembly	13	Group 6 – Blower Housing & Baffles	30
Principal Hydraulics Assembly	14	Group 7 – Starting System	31
Loader Arm Assembly	16	Group 8 – Fuel System	32
Loader Arm Hydraulic Assembly	17	Group 9 – Engine Controls	33
Electrical System Assembly	19	Group 10 – Air Intake/Filtration	34
Hood Assembly	20	Group 11 – Exhaust	35

Part Description Abbreviations

Part descriptions in this catalog may include the following abbreviations.

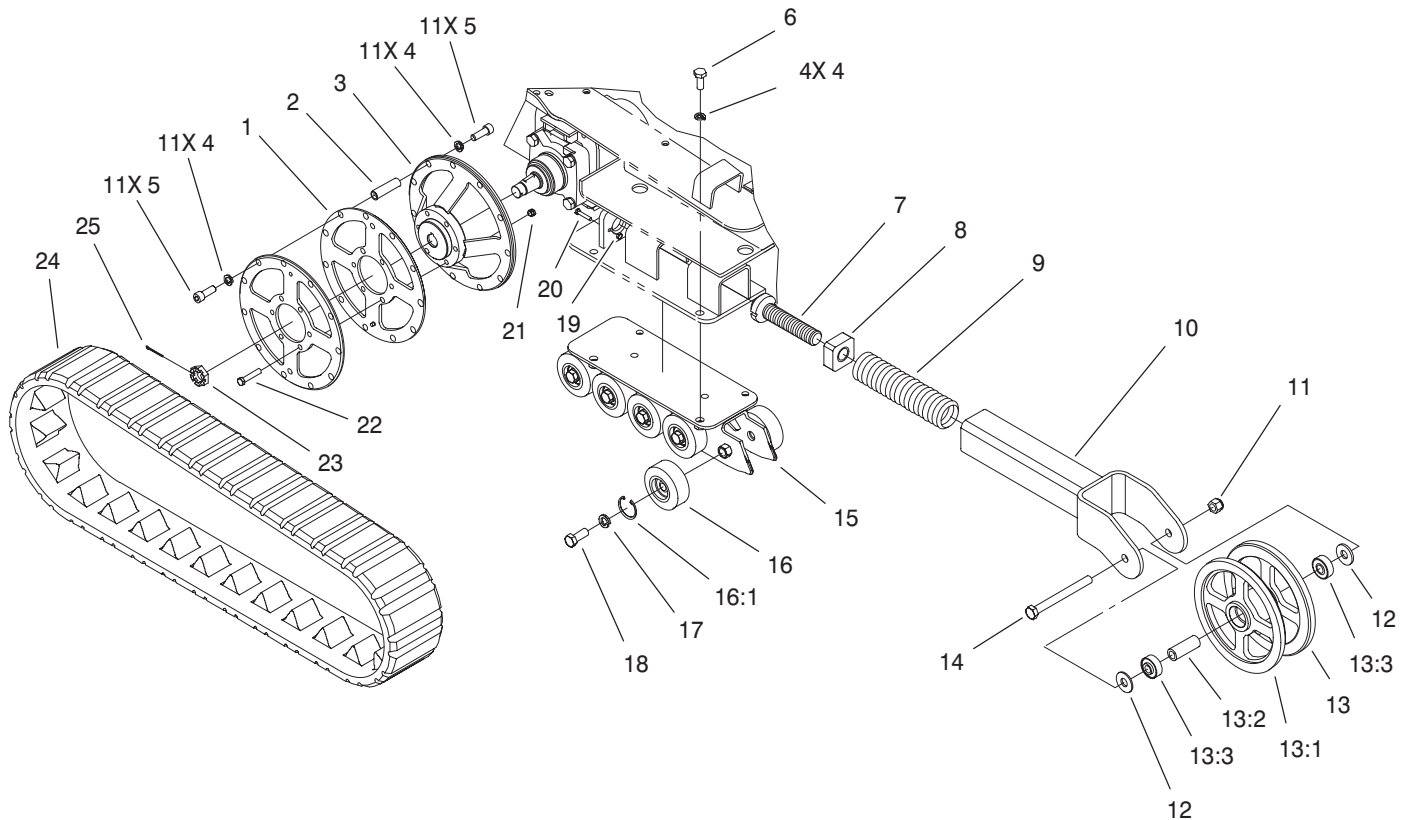
Abbreviation	Meaning	Abbreviation	Meaning
AR	as required	INC	incorporated
ASM	assembly	LH	left hand
CARR	carriage	NI	nylon insert
DEG	degrees	PPH	Phillips pan head
FH	flat head	PTH	Phillips truss head
GA	gauge	PTO	power take off
HF	hex flange	RH	right hand
HH	hex head	SFH	slotted fillister head
HHF	hex head flange	SHH	slotted hex head
HLH	hex lag head	SQH	square head
HJ	hex jam	SHWH	slotted hex washer head
HOC	height-of-cut	SPH	slotted pan head
HS	hex socket	SRH	slotted round head
HSBH	hex socket button head	STD	standard
HSFH	hex socket flat head	TAP	self tapping
HSH	hex socket head	TTH	Torx truss head
HWH	hex washer head	WH	wing head
HWHTF	hex washer head thread forming		



Fuel and Hydraulic Tank Assembly

Ref. No.	Part No.	Qty.	Description
1	95-3619	1	Tank-Fuel
2	3231-22	3	Screw-CARR
3	100-1257-03	1	Clamp-Tank, Fuel
4	3256-38	3	Washer-Flat
5	3296-39	3	Nut-Lock, NI
6	93-3101	1	Cap-Fuel
7	98-2768-03	2	Clamp-Tank, Hydraulic Oil
8	321-4	1	Screw-HH
9	93-7160	1	Cap - Hyd Oil
10	95-3720	1	Dipstick ASM
11	29-0590	1	Filler Screen
12	98-2765	1	Sensor-Temperature, 25 Degrees
12:1	237-79	1	O-Ring
13	98-2766	1	Outlet Fitting ASM
13:1	237-101	1	O-Ring
14	100-6100	1	Hydraulic Tank ASM
14:2	100-1253	1	Gasket-Cover, Access
14:3	100-1254	1	Cover-Access
14:4	3253-3	10	Washer-Lock/Sp
14:5	321-2	10	Screw-HH
15	98-2757	1	Return Fitting ASM
15:1	237-65	1	O-Ring
15:2	237-81	1	O-Ring
16	340-101	1	Fitting

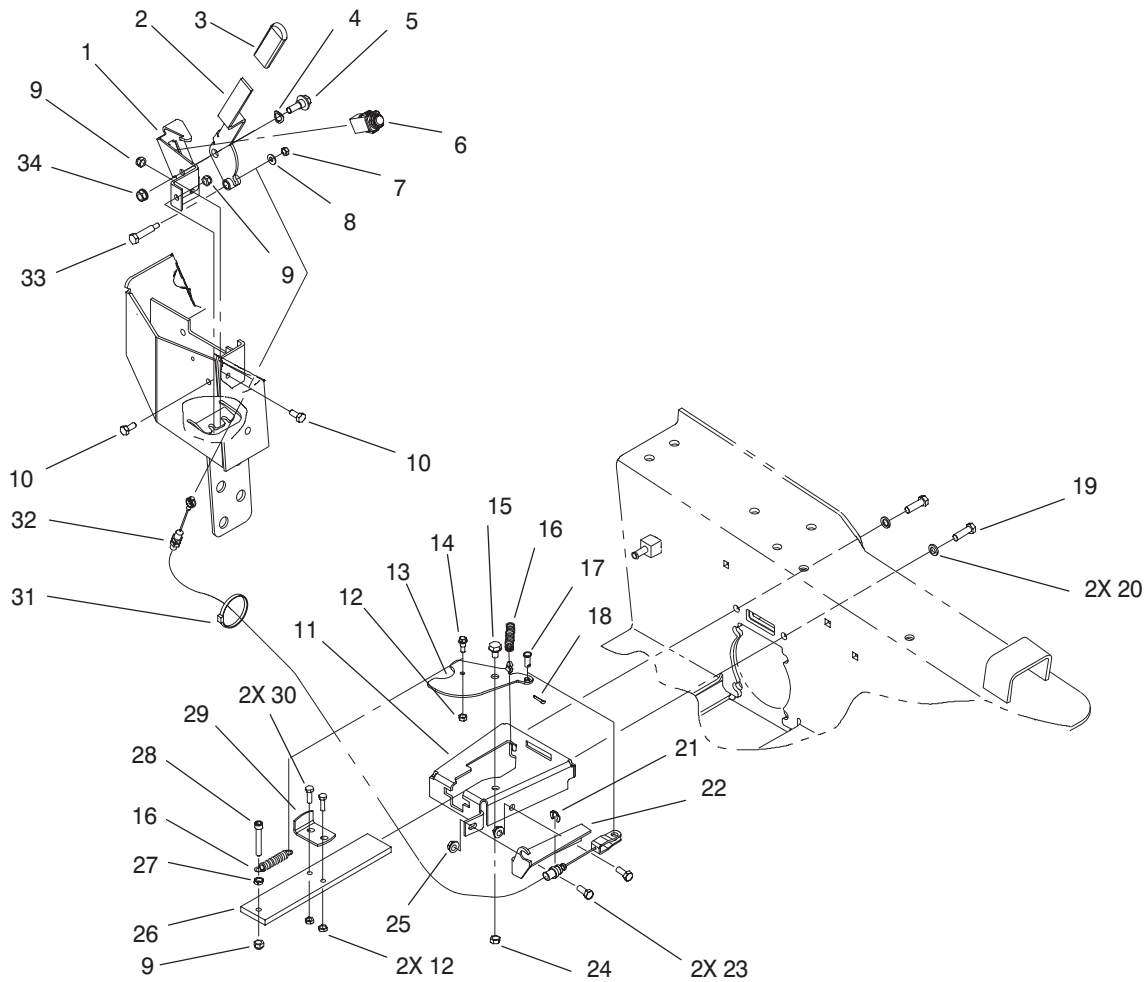
Ref. No.	Part No.	Qty.	Description
16:1	237-30	1	O-Ring
16:2	237-79	1	O-Ring
17	99-6178	1	Return Fitting ASM
17:1	237-58	1	O-Ring
17:2	237-81	1	O-Ring
18	113372	1	Gasket-Fuel Sender
19	3253-17	5	Washer-Lock/Sp
20	3250-31	5	Screw-PPH
21	100-1298	1	Sender-Fuel
22	104047	1	Bushing
23	98-0185	1	Pipe Stand ASM



Sheet No.:4

Track and Traction Assembly

Ref. No.	Part No.	Qty.	Description	Ref. No.	Part No.	Qty.	Description
1	99-6159-03	4	Plate-Wheel, Drive	22	323-10	12	Screw-HH
2	100-1286	22	Spacer-Wheel, Drive	23	99-3139	2	Nut-Wheel, Motor
3	99-6180-03	2	Drive Wheel ASM	24	98-9800	2	Track-Soucy
4	3253-7	52	Washer-Lock/Sp	25	3272-12	2	Pin-Cotter
5	3274-4	44	Screw-HSH				
6	325-5	8	Screw-HH				
7	98-9846	2	Tensioner Bolt ASM				
8	95-3626	2	Block-Tensioning				
9	95-3624	2	Spring-Compression				
10	98-9801-03	2	Tensioner Arm ASM				
11	3296-24	2	Nut-Lock NI				
12	3256-7	4	Washer-Flat				
13	100-6104	2	Tensioner Wheel ASM				
13:1	99-6184-03	1	Tensioner Wheel ASM				
13:2	98-9835	1	Spacer-Wheel, Tensioner				
13:3	93-4237	2	Bearing				
14	327-17	2	Screw-HH				
15	99-6155-03	2	Track Guide ASM				
16	99-6154	20	Boggy Wheel ASM				
16:1	32120-62	1	Ring-Retaining, Int.				
17	3253-8	20	Washer-Lock, Sp				
18	327-4	20	Screw-HH				
19	3296-42	2	Nut-Lock				
20	321-13	2	Screw-HH				
21	32153-2	12	Nut-Lock				

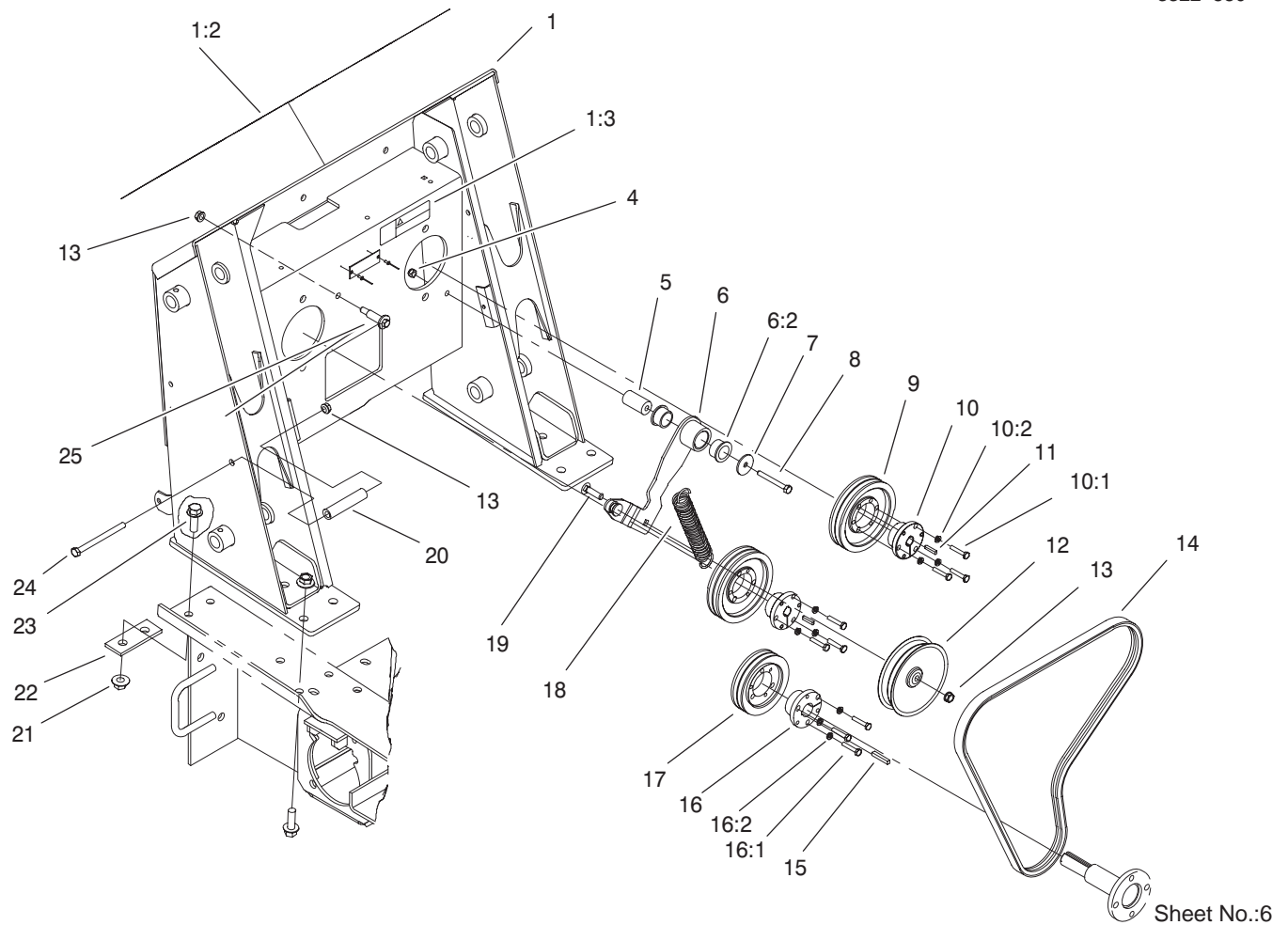


Sheet No.:5

Brake Assembly

Ref. No.	Part No.	Qty.	Description
1	99-6153-03	1	Bracket-Switch
2	99-6151-03	1	Brake Lever ASM
3	62-9130	1	Grip-Handle
4	3290-221	1	Washer-Spring
5	93-2364	1	Bolt - Shoulder
6	100-1268	1	Switch-Snap Mount Plunger
7	3296-42	1	Nut-Lock
8	3256-22	1	Washer-Flat
9	3296-29	4	Nut-Lock, NI
10	322-3	2	Screw-HH
11	100-4200-03	2	Brake Housing ASM
12	3296-42	6	Nut-Lock
13	98-8443	2	Lever-Brake
14	42-3560	2	Bolt-Shoulder
15	37-8771	2	Bolt-Shoulder
16	87-4020	4	Spring - Extension
17	283-62	2	Pin-Clevis
18	3272-9	2	Pin-Cotter
19	323-7	4	Screw-HH
20	3253-5	4	Washer-Lock/Sp
21	32151-43	2	Klipring
22	98-8446-03	2	Bracket-Cable, Brake
23	322-4	4	Screw-HH
24	3296-47	2	Nut-Lock, NI
25	32128-20	4	Nut-HF

Ref. No.	Part No.	Qty.	Description
26	98-8444-03	2	Plate-Brake
27	3218-2	2	Nut-Jam
28	3274-86	2	Screw-HSH
29	98-8448	2	Stop-Brake
30	321-5	4	Screw-HH
31	3290-378	2	Tie-Cable
32	100-1283	2	Cable-Brake
33	611792	1	Bolt-Shoulder
34	3296-6	1	Nut-Lock, NI

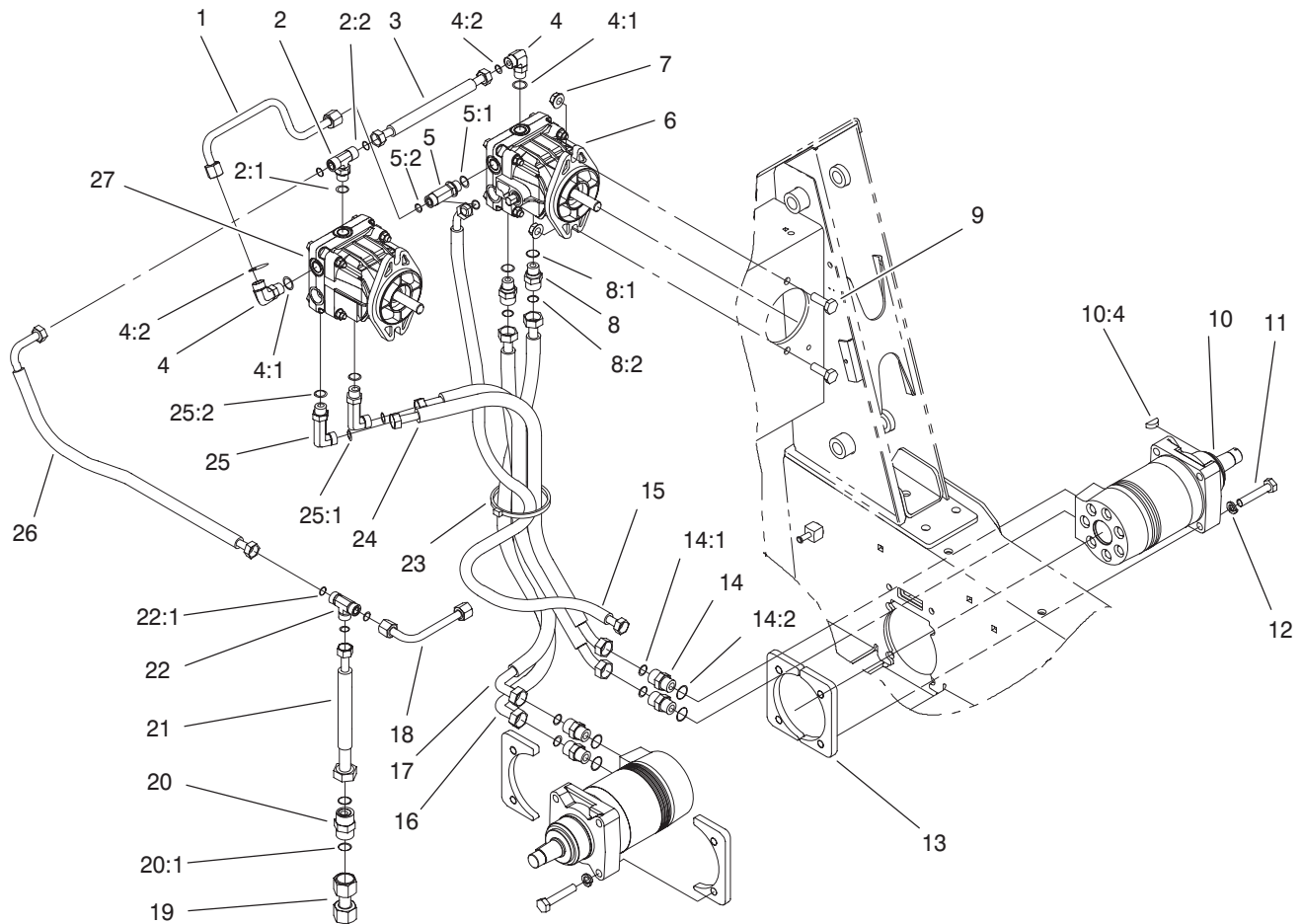


Sheet No.:6

Loader Tower and Drive Assembly

Ref. No.	Part No.	Qty.	Description
1	100-6143	1	Loader Tower ASM
1:2	100-6139	1	Decal-Panel
1:3	80-8040	1	Warning-Member, Rotating
4	3296-29	1	Nut-Lock, NI
5	95-3538	1	Spacer-Mounting
6	99-6167	1	Idler Arm ASM
6:2	256-132	2	Bushing-Flange
7	3256-68	1	Washer-Flat
8	322-13	1	Screw-HH
9	100-4207	2	Sheave
10	100-4206	2	Bushing
10:1	100-4208	3	Screw-HH
10:2	100-4209	3	Washer-Lock/Sp
11	80-6090	2	Key - Pump
12	95-3707	1	Pulley-Idler
13	3296-39	4	Nut-Lock, NI
14	95-3611	1	V-Belt
15	67-7490	1	Key
16	61-3340	1	Bushing
16:1	100-4208	3	Screw-HH
16:2	100-4209	3	Washer-Lock/Sp
17	61-3330	1	Pulley
18	95-3535	1	Spring-Extention
19	3231-26	1	Screw-CARR
20	100-1271	2	Tube-Spacer

Ref. No.	Part No.	Qty.	Description
21	32128-52	10	Locknut-Flange
22	100-6123-01	2	Plate-Stiffener
23	100-6116	10	Screw-HHF
24	323-23	2	Screw-HH
25	56-6590	1	Bolt-Wheel



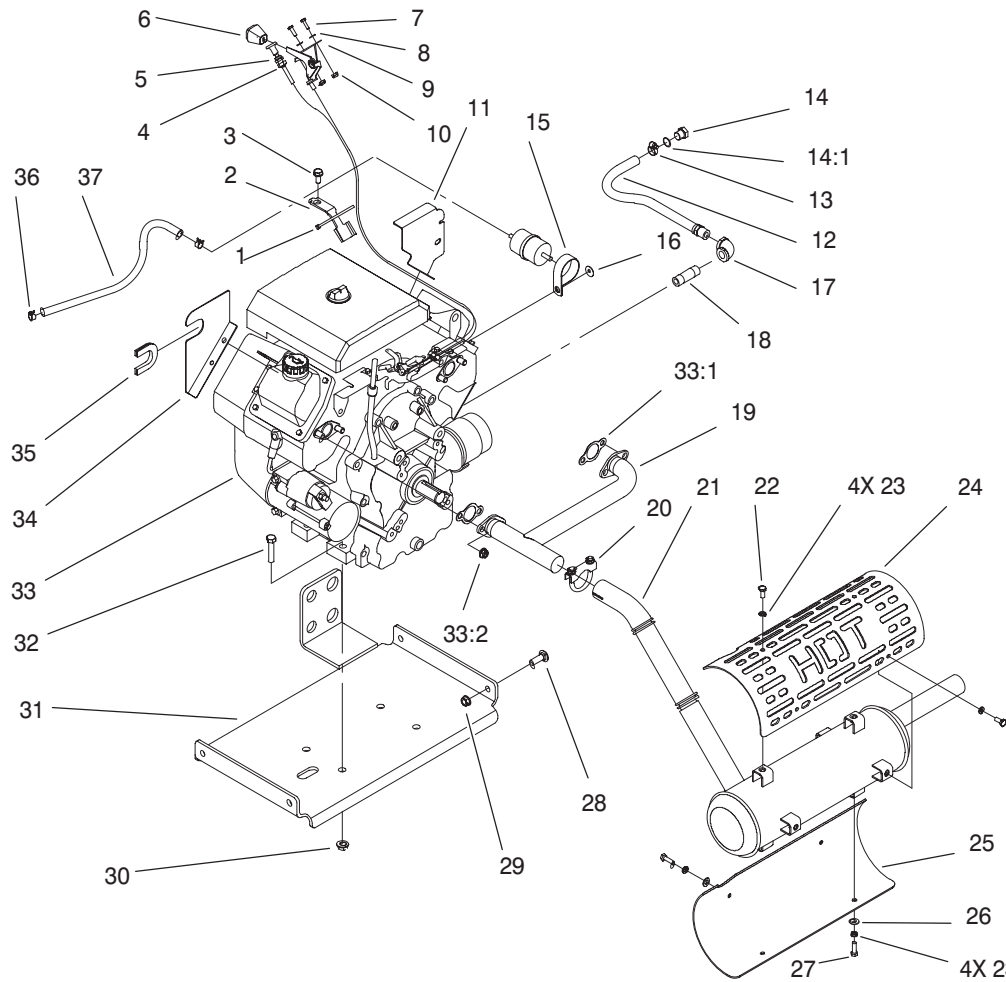
Sheet No.:7

Traction Hydraulics Assembly

Ref. No.	Part No.	Qty.	Description
1	98-0200	1	Hydraulic Tube ASM
2	340-157	1	Hyd Fitting
2:1	237-79	1	O-Ring
2:2	237-30	2	O-Ring
3	95-3664	1	Hydraulic Hose ASM
4	340-98	2	Fitting-Hyd, 90°
4:1	237-79	1	O-Ring
4:2	237-30	1	O-Ring
5	340-109	1	Fitting-Hyd
5:1	237-79	1	O-Ring
5:2	237-30	2	O-Ring
6	98-8432	1	Pump-Hydraulic, LH
*6:1	100-6110	1	Kit-Seal, Overhaul
*6:2	100-6111	1	Kit-Block, Cylinder
*6:3	100-6112	1	Plate-Valve
7	32128-23	4	Nut-HF
8	340-155	2	Fitting - Hyd
8:1	237-79	1	O-Ring
8:2	237-151	1	O-Ring
9	325-6	4	Screw-HH
10	98-2767	2	Motor-Wheel, Hyd.
*10:1	100-6131	1	Kit-Seal
*10:2	99-3090	1	Coupling-Shaft
*10:3	100-4241	7	Screw-Cap, HH
10:4	3257-42	1	Key-Woodruff
11	325-11	8	Screw-HH

Ref. No.	Part No.	Qty.	Description
12	3253-7	8	Washer-Lock/Sp
13	98-2763-03	4	Plate-Mounting, Wheel
14	340-7	4	Adapter
14:1	237-65	1	O-Ring
14:2	237-80	1	O-Ring
15	98-0201	1	Hydraulic Hose ASM
16	98-0177	1	Hydraulic Hose ASM
17	98-0235	1	Hydraulic Hose ASM
18	95-3517	1	Hydraulic Tube ASM
19	100-4239	1	Hydraulic Tube ASM
20	99-6161	1	Valve-Check, Hyd.
20:1	237-58	2	O-Ring
21	95-3551	1	Hydraulic Hose ASM
22	340-102	1	Adapter
22:1	237-30	3	O-Ring
23	3334-945	1	Cable Tie
24	98-0233	2	Hydraulic Hose ASM
25	99-6160	2	Fitting-Elbow, 90 DEG
25:1	237-30	1	O-Ring
25:2	237-79	1	O-Ring
26	100-6130	1	Hydraulic Hose ASM
27	98-8431	1	Pump-Hydraulic, RH
*27:1	100-6110	1	Kit-Seal, Overhaul
*27:2	100-6111	1	Kit-Block, Cylinder
*27:3	100-6112	1	Plate-Valve

* Not illustrated

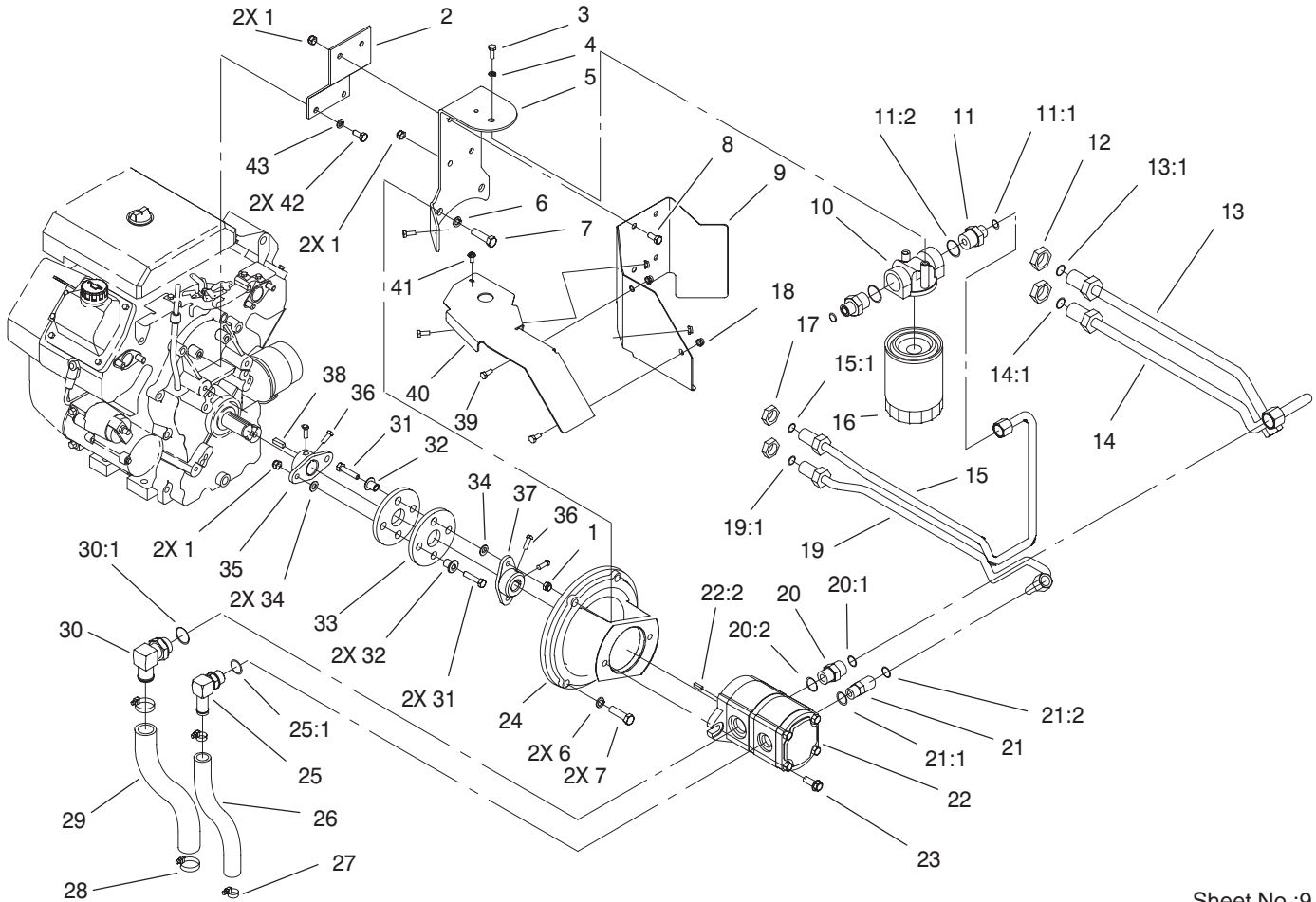


Sheet No.:8

Engine and Mounting Assembly

Ref. No.	Part No.	Qty.	Description
1	3290-378	2	Tie-Cable
2	100-1299-03	1	Guide-Cable
3	32144-70	1	Screw-HH
4	3220-3	1	Nut-Jam
5	99-6174	1	Cable-Choke
6	66-0120	1	Knob
7	3290-134	2	Screw-Ind Hex
8	3256-21	2	Washer-Flat
9	99-6173	1	Cable-Throttle
10	3296-2	2	Nut-Lock
11	100-4227-03	1	Baffle-Engine, LH
12	100-1256	1	Oil Hose ASM
13	2412-119	1	Clamp-Worm
14	353-508	1	Plug-O-Ring
14:1	237-42	1	O-Ring
15	2412-147	1	Clamp
16	3256-61	1	Washer-Flat
17	94-9650	1	Elbow 3/8 90°
18	289-42	1	Nipple
19	98-2761	1	Manifold-Crossover
20	2112-11	1	Muffler Clamp
21	98-2759	1	Muffler-Exhaust
22	321-3	4	Screw-HH
23	3253-3	8	Washer-Lock/Sp
24	98-2760-03	1	Shield-Muffler
25	98-2762	1	Shield-Heat, Muffler

Ref. No.	Part No.	Qty.	Description
26	3256-22	4	Washer-Flat
27	321-5	4	Screw-HH
28	3231-28	4	Screw-CARR
29	3296-39	4	Nut-Lock, NI
30	100-1252	4	Nut-Hex Flange
31	99-6175-03	1	Engine Mounting Plate ASM
32	323-9	4	Screw-HH
33	98-2750	1	Engine-20hp, Kohler CH20S-64637
33:1	93-0350	2	Gasket - Exhaust
33:2	92-6780	4	Nut-Hex Flange
34	100-4228-03	1	Baffle-Engine, RH
35	100-6103	1	Seal-Strip
36	2412-98	2	Clamp
37	100-1255	1	Hose-Fuel



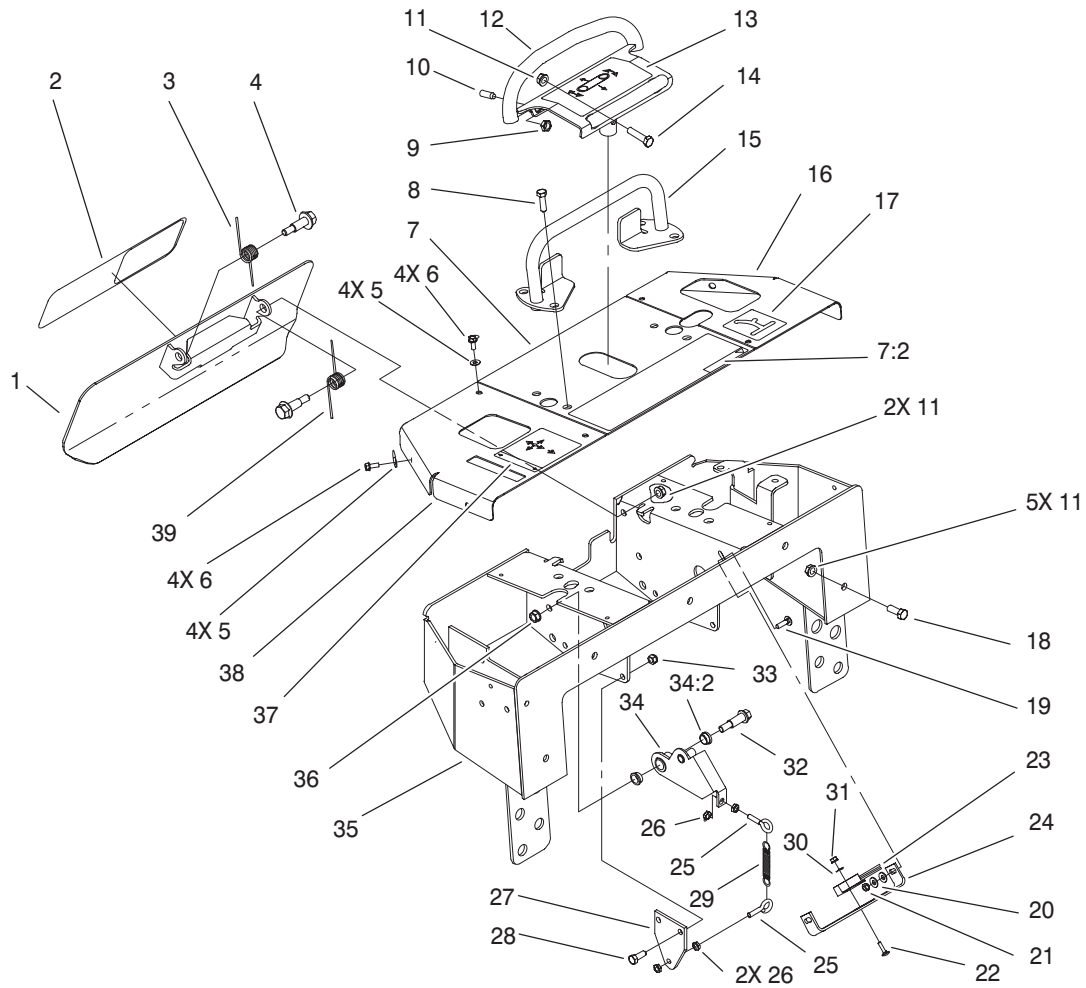
Sheet No.:9

Hydraulic Pump Assembly

Ref. No.	Part No.	Qty.	Description
1	3296-29	8	Nut-Lock, NI
2	99-6171-03	1	Bracket-Support, Oil Filter
3	321-4	2	Screw-HH
4	3253-3	2	Washer-Lock/Sp
5	99-6172-03	1	Bracket-Support, Oil Filter
6	3253-6	4	Washer-Lock/Sp
7	324-7	4	Screw-HH
8	322-3	4	Screw-HH
9	100-6114	1	Shield-Heat, Filter
10	92-5821	1	Filter Head ASM
11	100-4240	2	Fitting-Adapter
11:1	237-30	1	O-Ring
11:2	237-81	1	O-Ring
12	340-74	2	Locknut-Bulkhead
13	98-2782	1	Hydraulic Tube ASM
13:1	237-65	1	O-Ring
14	98-2783	1	Hydraulic Tube ASM
14:1	237-65	1	O-Ring
15	98-2781	1	Hydraulic Tube ASM
15:1	237-30	1	O-Ring
16	86-3010	1	Filter-Oil, Transmission
17	340-127	2	Nut-Bulkhead
18	3296-16	4	Nut-Lock, NI
19	98-2780	1	Hydraulic Tube ASM

Ref. No.	Part No.	Qty.	Description
19:1	237-30	1	O-Ring
20	340-7	1	Adapter
20:1	237-65	1	O-Ring
20:2	237-80	1	O-Ring
21	340-98	1	Fitting-Hyd, 90°
21:1	237-79	1	O-Ring
21:2	237-30	1	O-Ring
22	98-2752	1	Pump-Gear, Hydraulic
*22:1	100-4237	1	Seal Kit-Pump
22:2	100-4238	1	Key-Square
23	66-9300	2	Screw-Flange
24	98-2751	1	Mount - Pump, Mach
25	87-8170	1	Fitting
25:1	237-80	1	O-Ring
26	98-0156	1	Hydraulic Hose
27	2412-129	2	Clamp-Hose
28	2412-34	2	Clamp-Hose
29	98-0240	1	Hydraulic Hose
30	100-4202	1	Fitting-90°, Hose
30:1	237-81	1	O-Ring
31	322-7	4	Screw-HH
32	71-4411	4	Spacer
33	44-2230	2	Coupling-Rubber
34	3256-23	4	Washer- Flat
35	27-1960	1	Hub-Engine
36	3241-6	4	Screw-Sq Hd

* Not illustrated

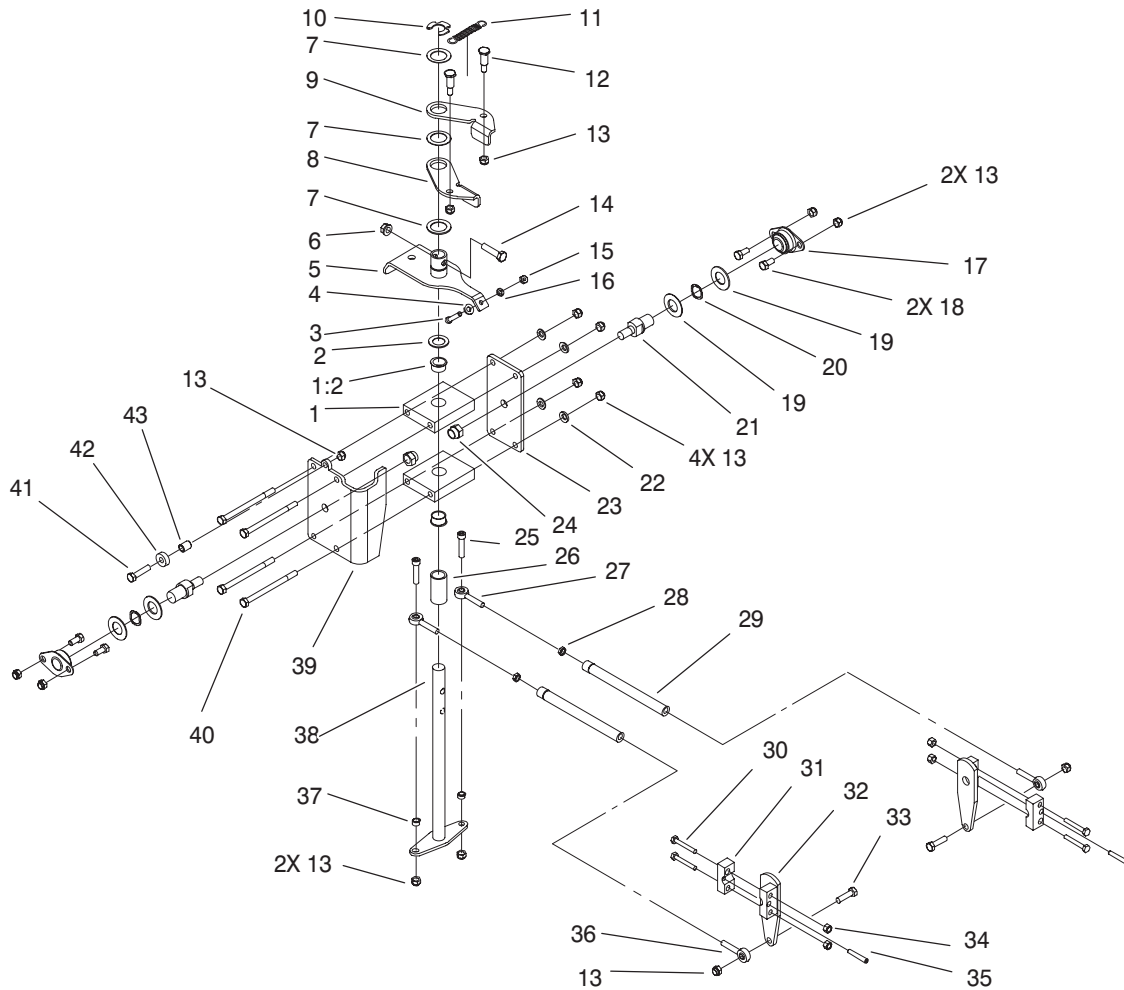


Sheet No.:10

Control Panel Assembly

Ref. No.	Part No.	Qty.	Description
1	98-8417-03	1	Reverse Plate ASM
2	100-6134	1	Decal-Dingo
3	98-8425	1	Spring-Torsion, LH
4	62-1330	2	Bolt-Shoulder
5	3256-16	8	Washer-Flat
6	32144-85	8	Screw-HH
7	100-6144	1	Center Panel ASM
7:2	100-6140	1	Decal-Danger
8	322-16	4	Screw-HH
9	3218-3	2	Nut-Jam
10	3247-6	2	Screw-Set, Socket Hd.
11	3296-39	8	Nut-Lock, NI
12	98-8420-03	1	Control Handle ASM
13	100-6138	1	Decal-Traction
14	323-8	1	Screw-HH
15	98-8400-03	1	Reference Bar ASM
16	98-8428-01	1	Panel-LH
17	100-6136	1	Decal-Auxiliary
18	323-7	5	Screw-HH
19	3229-1	2	Screw-CARR
20	3256-22	4	Washer-Flat
21	32149-2	2	Nut-Keps
22	3229-20	2	Screw-CARR
23	100-1270	1	Switch-Proximity
24	100-1263	1	Plate-Switch
25	71-2870	2	Eye Bolt

Ref. No.	Part No.	Qty.	Description
26	3217-5	4	Nut-Hex
27	100-1261-03	1	Bracket-Spring
28	322-4	2	Screw-HH
29	82-4160	1	Detent Spring
30	3256-51	2	Washer-Flat
31	32149-7	2	Nut-Keps
32	66-0560	1	Screw-Shoulder
33	3296-29	2	Nut-Lock, NI
34	100-4203	1	Neutral Centering Lever ASM
34:2	256-156	2	Bushing-Flange
35	95-3540-01	1	Control Panel ASM
36	3296-6	1	Nut-Lock, NI
37	100-6137	1	Decal-Loader
38	98-8427-01	1	Panel-RH
39	98-8424	1	Spring-Torsion, RH

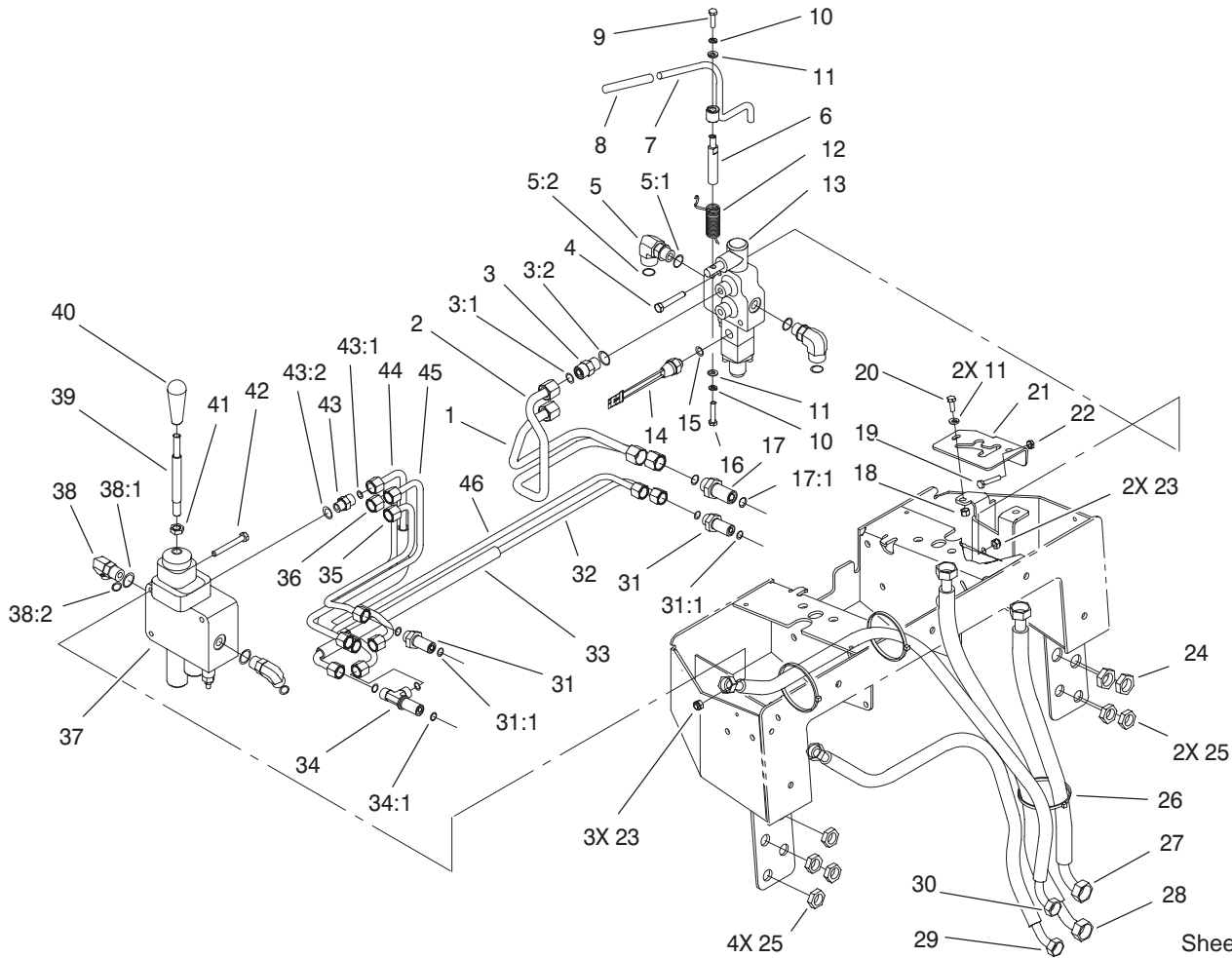


Sheet No.:11

Traction Control Assembly

Ref. No.	Part No.	Qty.	Description
1	100-4204	2	Bearing Support Block ASM
1:2	256-252	1	Flange Bearing
2	257-8	1	Thrust Washer
3	3274-51	1	Screw-HSH
4	3256-22	1	Washer-Flat
5	98-8437	1	Pivot Lever ASM
6	3296-39	1	Nut-Lock, NI
7	3256-42	3	Washer-Flat
8	98-8407	1	Lever-Return, RH
9	98-8408	1	Lever-Return, LH
10	32151-91	1	Ring-Retaining
11	82-4160	1	Detent Spring
12	63-2650	2	Screw-Shoulder
13	3296-29	15	Nut-Lock, NI
14	323-8	1	Screw-HH
15	3217-5	1	Nut-Hex
16	3253-3	1	Washer-Lock/Sp
17	68-2970	2	Bushing-Selt/A
18	322-3	4	Screw-HH
19	3256-39	4	Washer-Flat
20	95-3703	2	Washer-Spring, Wave
21	95-3684	2	Shaft-Arm, Pivot
22	3256-23	4	Washer- Flat
23	98-8415-03	1	Bracket-Pivot, LH
24	3296-23	2	Nut-Lock, NI

Ref. No.	Part No.	Qty.	Description
25	3274-83	2	Screw-HSH
26	98-8414	1	Spacer-Pivot, Rod
27	2411-52	2	R/H Rod Ends
28	3220-2	2	Nut-Jam
29	95-3711	2	Rod-Linkage
30	321-10	4	Screw-HH
31	98-8434	2	Clamp-Traction
32	98-8433	2	Pump Lever ASM
33	322-6	2	Screw-HH
34	3296-8	4	Nut-Lock NI
35	100-6148	2	Pin-Spring, Metric
36	2411-53	2	L/H Rod Ends
37	92-3133	2	Spacer - Traction Lever
38	98-8411	1	Drive Rod ASM
39	98-8416-03	1	Bracket-Pivot, RH
40	322-38	4	Screw-HH
41	322-7	1	Screw-HH
42	251-259	1	Bearing
43	88-7450	1	Spacer-Control Lever

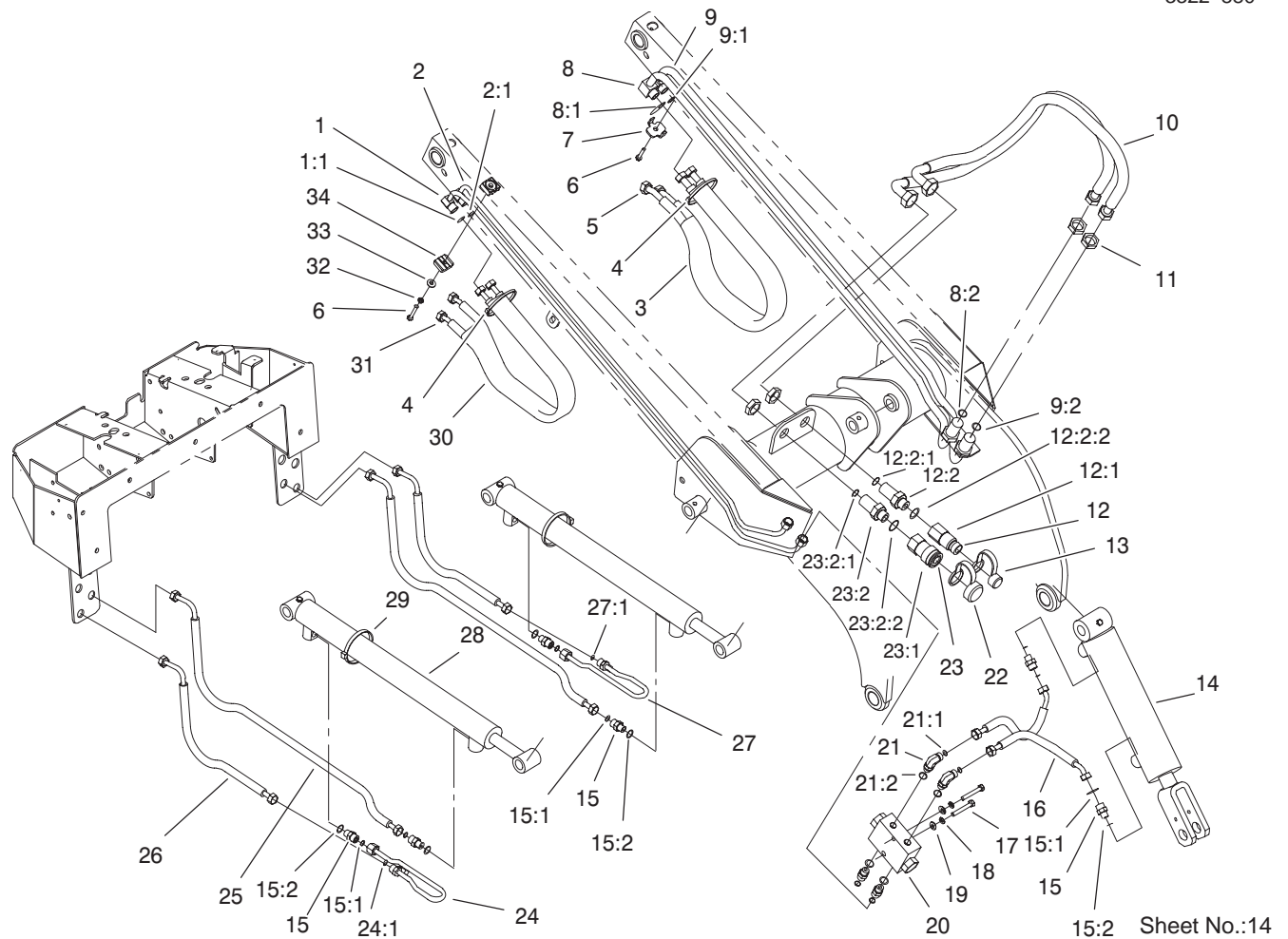


Sheet No.:12

Principal Hydraulics Assembly

Ref. No.	Part No.	Qty.	Description
1	98-2791	1	Hydraulic Tube ASM
2	98-2790	1	Hydraulic Tube ASM
3	340-4	2	Adapter
3:1	237-30	1	O-Ring
3:2	237-79	1	O-Ring
4	322-10	2	Screw-HH
5	340-153	2	Fitting-Hyd
5:1	237-79	1	O-Ring
5:2	237-151	1	O-Ring
6	100-4242	1	Spacer-Hiflo
7	100-4246	1	Auxiliary Lever ASM
8	92-6798	1	Cap - Rod Tilt
9	321-6	1	Screw-HH
10	3253-18	2	Washer-Lock/Sp
11	3256-16	4	Washer-Flat
12	100-6129	1	Spring-Torsion
13	95-3537	1	Valve-1 Spool
14	72-4310	1	Switch
15	237-42	1	O-Ring
16	321-13	1	Screw-HH
17	340-161	2	Fitting Bulk Head ORS
17:1	237-30	2	O-Ring
18	3296-8	2	Nut-Lock NI
19	321-9	1	Screw-HH
20	321-4	2	Screw-HH
21	100-6126-01	1	Auxiliary Stop ASM

Ref. No.	Part No.	Qty.	Description
22	3218-1	1	Nut-Jam
23	3296-29	5	Nut-Lock, NI
24	340-127	2	Nut-Bulkhead
25	340-70	6	Locknut-Bulkhead
26	3290-378	3	Tie-Cable
27	98-0204	1	Hydraulic Hose ASM
28	98-0203	1	Hydraulic Hose ASM
29	95-3737	1	Hydraulic Hose ASM
30	95-3738	1	Hydraulic Hose ASM
31	340-71	4	Fitting-Straight, Bulkhead
31:1	237-22	2	O-Ring
32	98-2786	1	Hydraulic Tube ASM
33	100-1287	2	Conduit-Convolutd
34	340-68	2	Bulkhead Tee Fitting
34:1	237-22	3	O-Ring
35	98-2789	1	Hydraulic Tube ASM
36	98-2785	1	Hydraulic Tube ASM
37	95-3536	1	Valve-2 Spool
38	340-98	2	Fitting-Hyd, 90°
38:1	237-79	1	O-Ring
38:2	237-30	1	O-Ring
39	95-3569	1	Shaft-Handle, Lift/Tilt
40	98-0152	1	Knob-Tapered
41	51-2070	1	Nut
42	322-12	3	Screw-HH



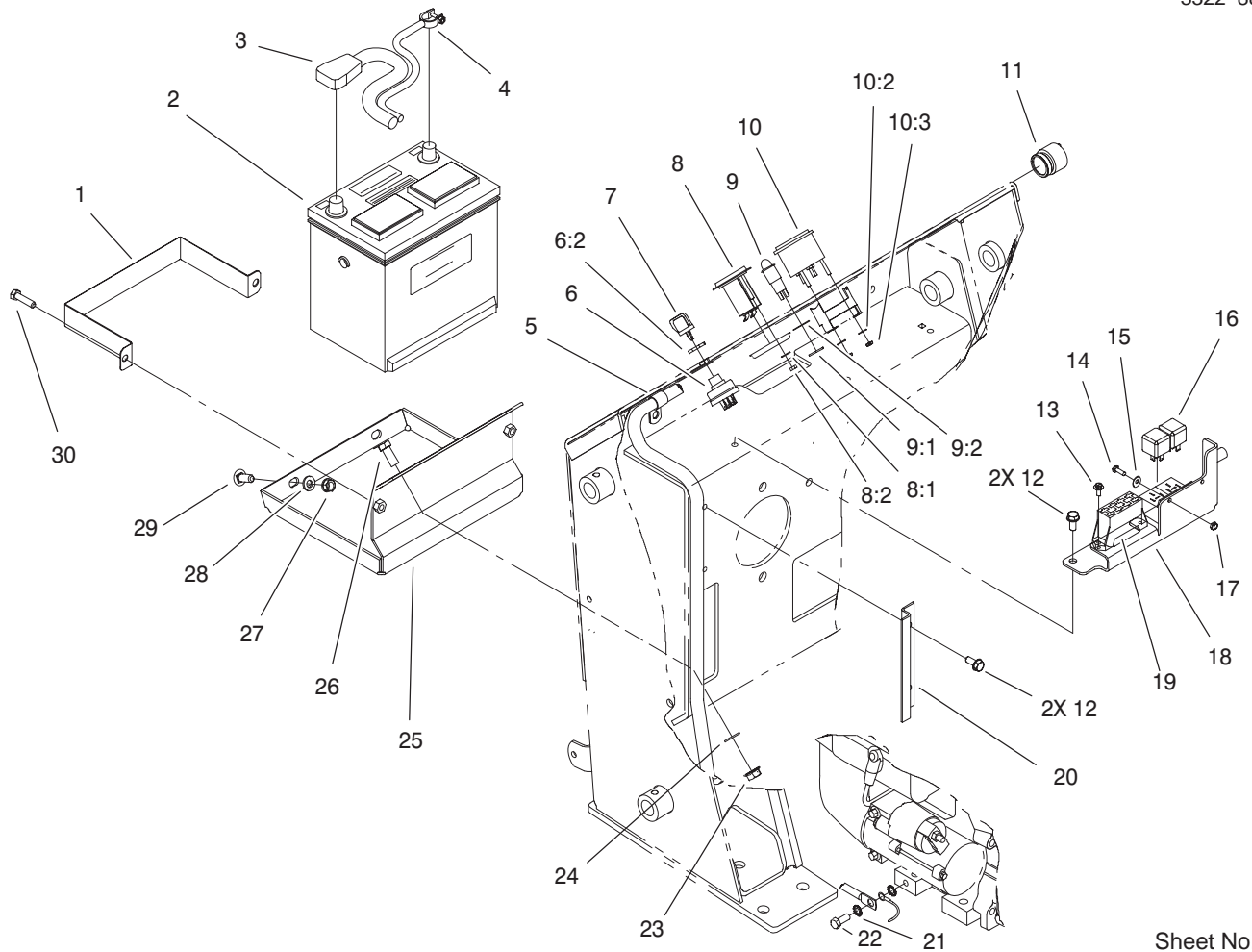
Sheet No.:14

Loader Arm Hydraulic Assembly

Ref. No.	Part No.	Qty.	Description
1	98-0209	1	Hydraulic Tube ASM
1:1	237-22	1	O-Ring
2	98-0206	1	Hydraulic Tube ASM
2:1	237-22	1	O-Ring
3	100-6128	1	Sleeve-Protective
4	3290-378	2	Tie-Cable
5	98-0242	2	Hydraulic Hose ASM
6	32144-110	2	Screw-HWH
7	98-0237-03	1	Plate-Clamp, Tube
8	98-2778	1	Hydraulic Tube ASM
8:1	237-30	1	O-Ring
8:2	237-65	1	O-Ring
9	98-2779	1	Hydraulic Tube ASM
9:1	237-30	1	O-Ring
9:2	237-65	1	O-Ring
10	99-6193	2	Hydraulic Hose ASM
11	340-74	4	Locknut-Bulkhead
12	100-4748	1	Nipple ASM, Bulkhead
12:1	100-4235	1	Flush Face Nipple
*12:1:1	100-6120	1	Kit-Seal
12:2	100-4236	1	Fitting-Adapter, Bulkhead
12:2:1	237-65	1	O-Ring
12:2:2	237-80	1	O-Ring
13	100-8815	1	Cap-Dust, Nipple
14	95-3578	1	Cylinder-Tilt

Ref. No.	Part No.	Qty.	Description
*14:1	100-6108	1	Kit-Seal
15	340-2	8	Adapter
15:1	237-22	1	O-Ring
15:2	237-42	1	O-Ring
16	98-0207	2	Hydraulic Hose ASM
17	322-11	2	Screw-HH
18	3253-4	2	Washer
19	3256-23	2	Washer- Flat
20	98-8449	1	Valve-Relief, Crossover
21	340-77	2	Fitting-Hyd. 90°
21:1	237-22	1	O-Ring
21:2	237-42	1	O-Ring
22	100-8816	1	Cap-Dust, Coupler
23	100-4747	1	Coupler ASM, Bulkhead
23:1	100-4234	1	Coupler-Face, Flush
*23:1:1	100-6119	1	Kit-Seal
23:2	100-4236	1	Fitting-Adapter, Bulkhead
23:2:1	237-65	1	O-Ring
23:2:2	237-80	1	O-Ring

* Not illustrated

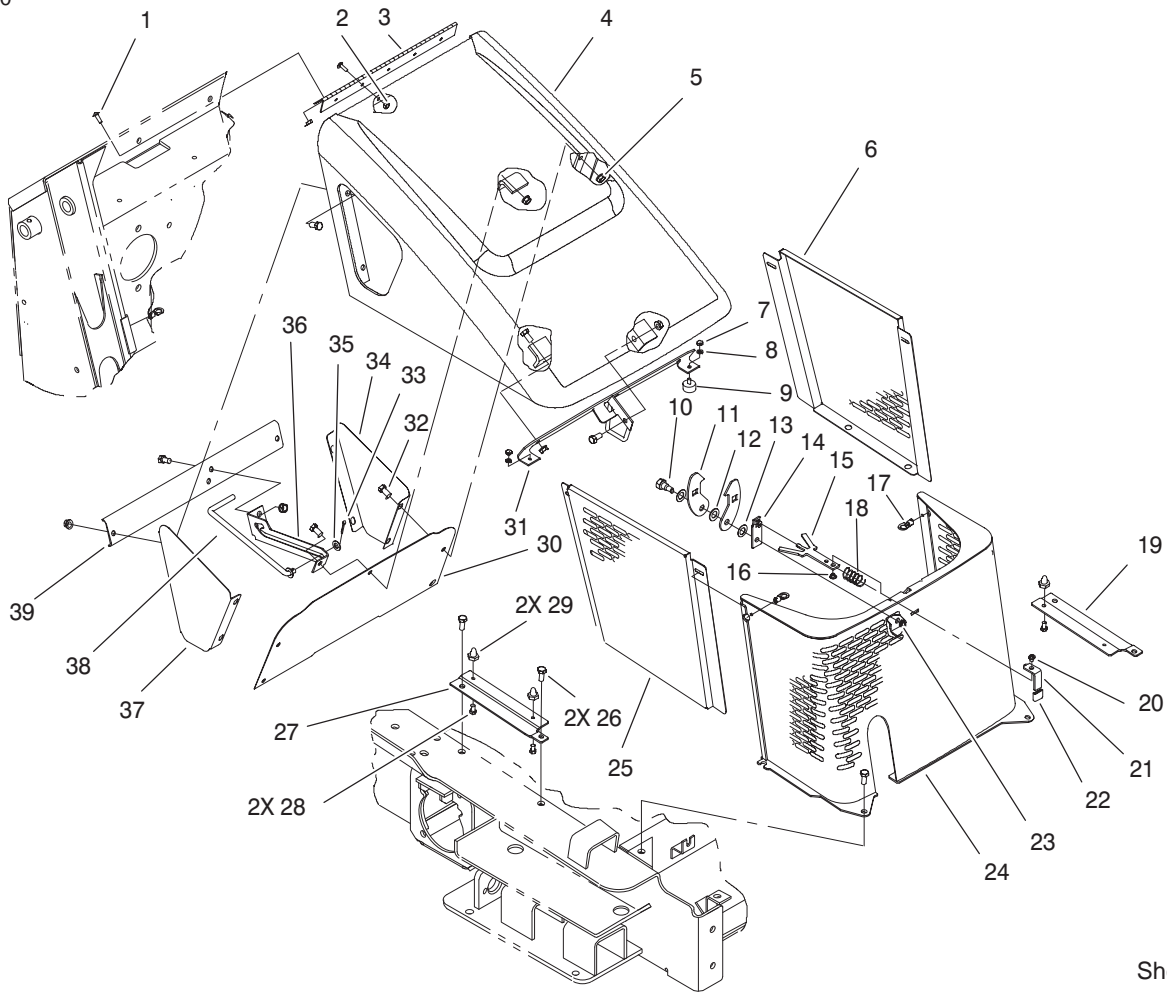


Sheet No.:15

Electrical System Assembly

Ref. No.	Part No.	Qty.	Description
1	98-2795-03	1	Bracket-Clamp, Battery
2	83-9000	1	Battery (Dry)
3	99-6185	1	Cable-Battery, Positive
4	99-6186	1	Cable-Battery, Negative
5	2412-39	1	Clamp-R
6	88-9830	1	Switch-Ignition
6:2	218-461	1	Nut-HH
7	63-8360	1	Key-Ignition
8	66-2950	1	Gauge-Hourmeter
8:1	3255-20	2	Washer-Lock, Ext. Tooth
8:2	3217-25	2	Nut-Hex
9	44-2210	1	Light-Indicator, Red
9:1	218-535	1	Nut-Hex
9:2	218-536	1	Washer-Lock
*9:3	93-7480	1	Led - Miniature Bayonet
*9:4	218-533	1	Lens
10	66-2940	1	Fuel Gauge
10:2	3254-1	2	Washer-Lock/Int
10:3	3217-27	2	Nut-Hex
11	80-9330	1	Alarm - Audio
12	32144-70	4	Screw-HH
13	12-5450	2	Screw

Ref. No.	Part No.	Qty.	Description
14	3290-134	2	Screw-Ind Hex
15	3256-49	2	Washer-Flat
16	98-7249	2	Relay-Speedometer
17	3296-2	2	Nut-Lock
18	100-1291-03	1	Fuse/Relay Bracket ASM
19	98-0150	1	Harness-Wire
*19:1	114594	1	Fuse-10 Amp
*19:2	109102	1	Fuse-25 Amp
*19:3	Nn10277	1	Fuse-30 Amp
20	100-6117-01	1	Shield-Wiring
21	3255-8	2	Washer-Lock/Ext
22	33104-020	1	Screw-HHF
23	32128-42	2	Nut-HF
24	3256-4	2	Washer-Flat
25	98-2793-03	1	Battery Tray ASM
26	324-4	2	Screw-HH
27	3296-39	2	Nut-Lock, NI
28	3256-38	2	Washer-Flat
29	3231-22	2	Screw-CARR
30	322-6	2	Screw-HH

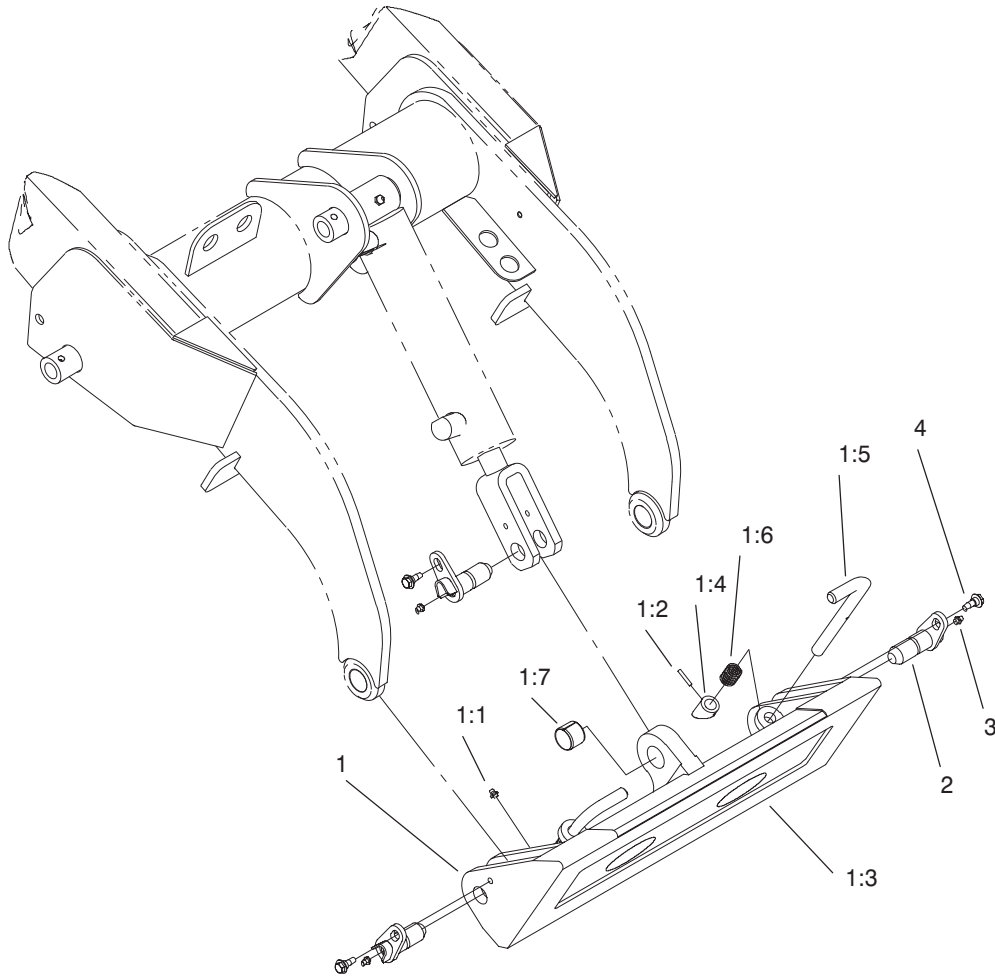


Sheet No.:16

Hood Assembly

Ref. No.	Part No.	Qty.	Description
1	9114604	9	Screw-Truss Hd.
2	3296-42	9	Nut-Lock
3	100-1284	1	Hinge-Hood
4	100-4222	1	Engine Hood ASM
5	3296-29	15	Nut-Lock, NI
6	100-4210-03	1	Panel-Side, LH
7	3217-5	2	Nut-Hex
8	3253-3	2	Washer-Lock/Sp
9	240-14	2	Bumper - Rubber
10	27-5240	1	Shoulder Bolt
11	100-4224	2	Latch-Hood
12	47-2910	1	Washer-Thrust
13	257-10	2	Washer-Thrust
14	100-4225	1	Spacer-Latch
15	100-4226	1	Lever-Latch
16	100-6121	1	Screw-Panhead
17	95-4013	4	Assembly-Latch
18	100-6102	1	Spring-Compression
19	100-1281-03	1	Support-Side Panel, LH
20	100-6122	1	Base-Round, Capped
21	100-4223	1	Handle-Latch
22	100-1655	1	Grip-Handle
23	3296-59	1	Nut-Lock, NI
24	100-1282-03	1	Grill ASM
25	100-4211-03	1	Panel-Side, RH

Ref. No.	Part No.	Qty.	Description
26	323-5	6	Screw-HH
27	100-1280-03	1	Support-Side Panel, RH
28	46-8093	4	Screw-Plastite
29	95-3989	4	Mount-Sidepanel
30	100-4213-03	1	Bulkhead-Hood
31	100-1297-03	1	Rod Latch ASM
32	322-3	15	Screw-HH
33	3272-11	1	Pin-Cotter
34	100-4214-03	1	Screen-LH
35	3256-24	1	Washer-Flat
36	100-1292-03	1	Bracket-Rod/Hood
37	100-4215-03	1	Screen-RH
38	100-4229	1	Hood Support Rod
39	100-4212-03	1	Support-Rod/Hood Bracket



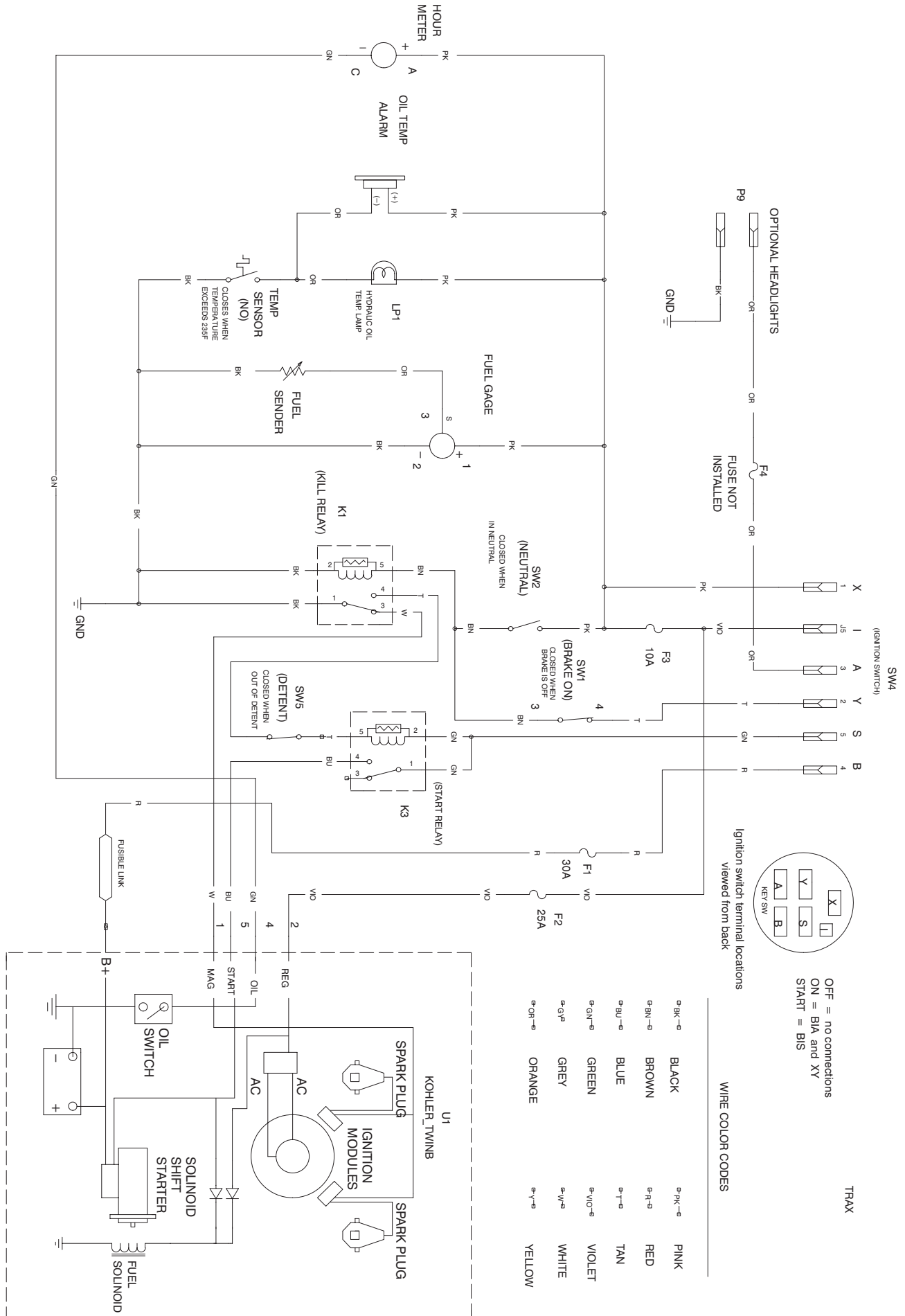
Sheet No.:18

Quick Attach Assembly

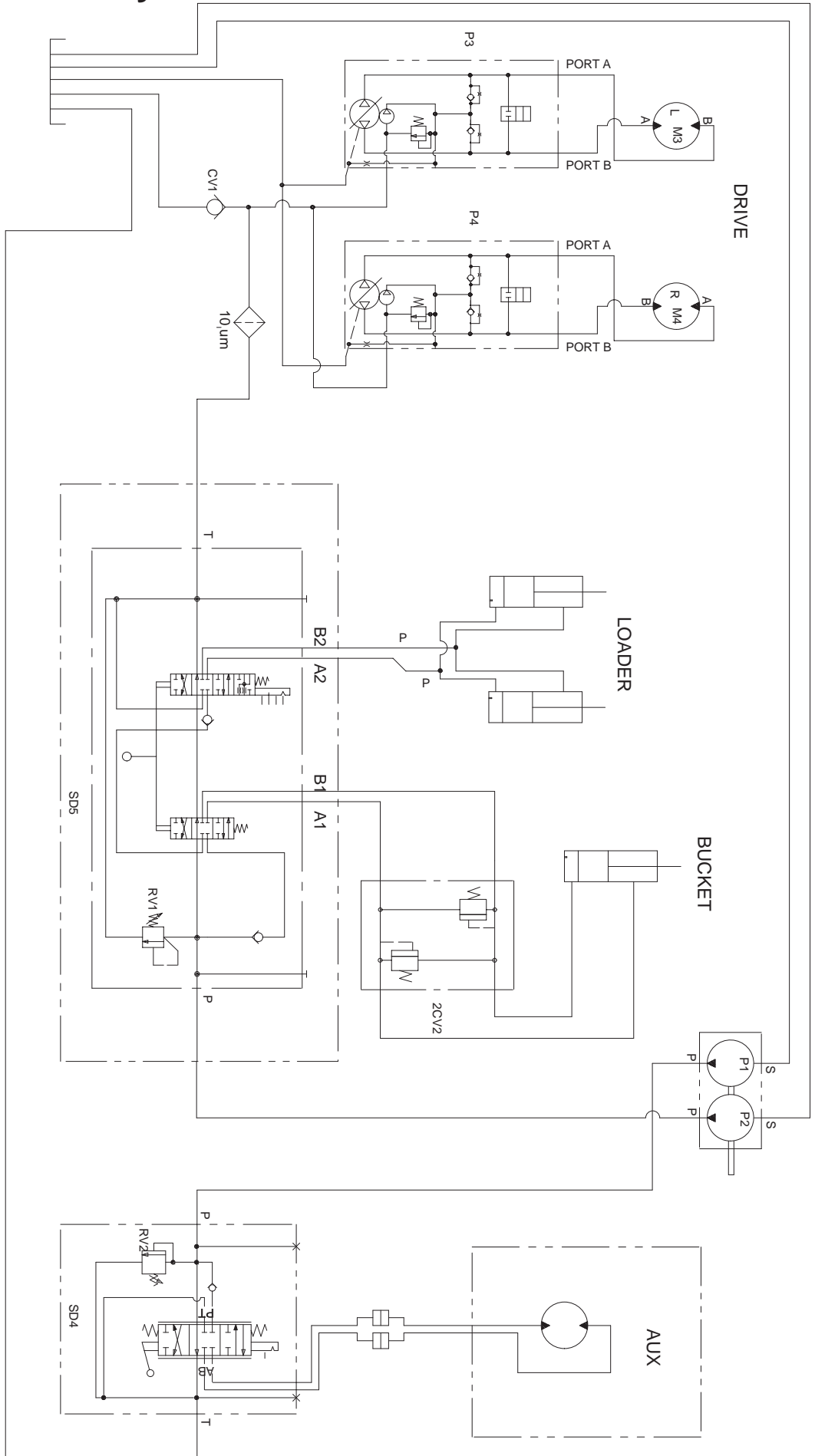
Ref. No.	Part No.	Qty.	Description
1	98-4690	1	Quick Attach ASM
1:1	302-5	2	Fitting-Lube
1:2	32121-94	2	Pin-Special
1:3	98-4691-03	1	Mount-Attach, Quick
1:4	98-4692	2	Cam-Attach, Quick
1:5	100-3373	2	Pin-Qtach
1:6	98-4694	2	Spring-Compression
1:7	98-4871	1	Bushing-Tension
2	99-1414	3	Pin-Pivot
3	302-5	3	Fitting-Lube
4	99-5105	3	Screw-shoulder

Ref. No.	Part No.	Qty.	Description

Electrical Schematic



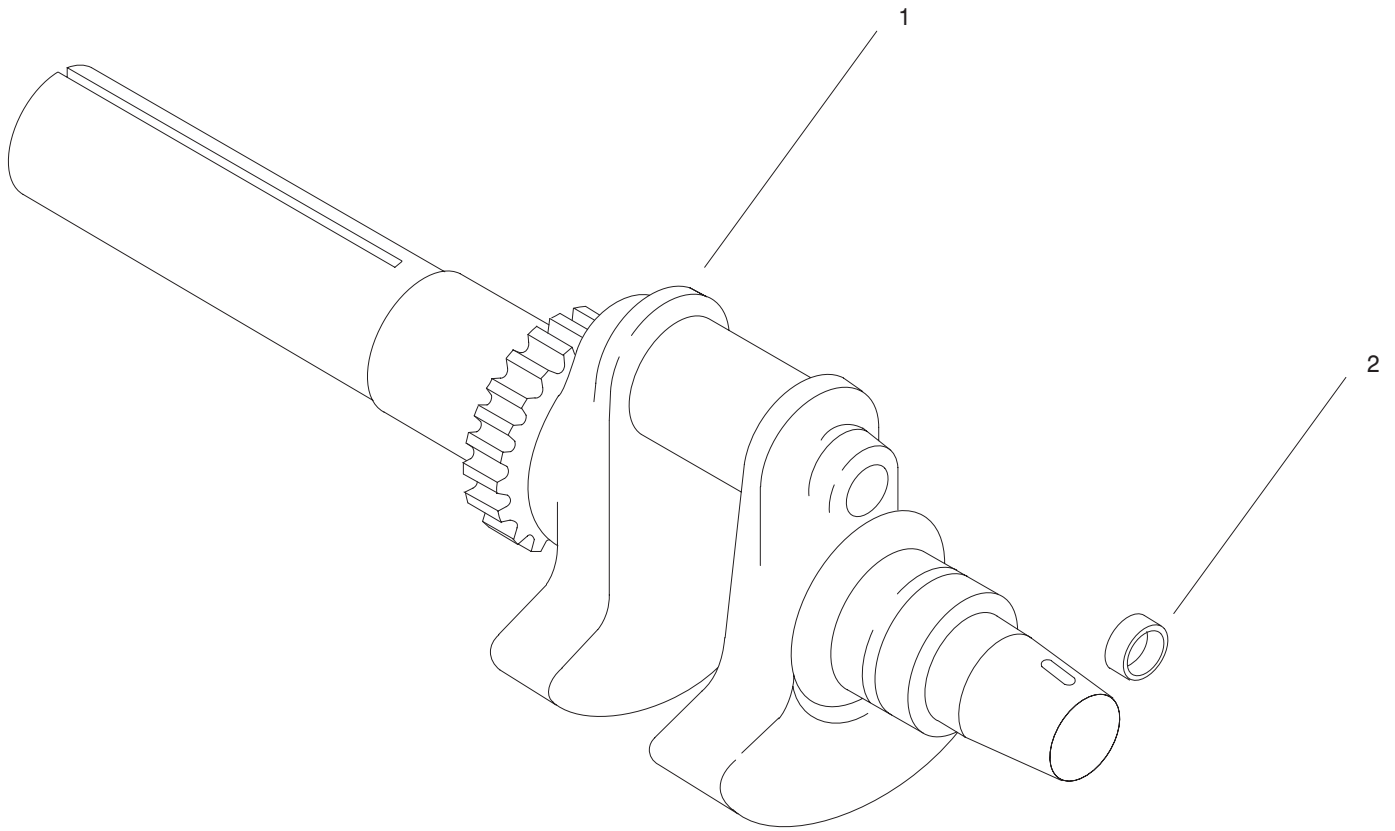
Hydraulic Schematic



DISPLACEMENT AND PRESSURE CHART

COMPONENT	DISPLACEMENT	PRESSURE	FLOWRATE*			
COMPONENT	CU IN/REV	CU CM/REV	PSI	BAR	GPM	LPM
P1 *	0.73 CU IN	12 CC	11.2	42.4		
P2 *	0.36 CU IN	6 CC	5.5	21.0		
M1, M2	32.3 CU IN	638 CC				
R3, P4**	0-1.28 CU IN	21 CC	17	64		
RV1		2400 PSI				
RV2		3000 PSI				
CV1		5 PSI				
2CV2		2800 PSI				

* FLOWRATE CALCULATED AT 3600 RPM AND 98% EFFICIENCY;
 ** FLOWRATE CALCULATED AT 3100 RPM AND 88% EFFICIENCY;

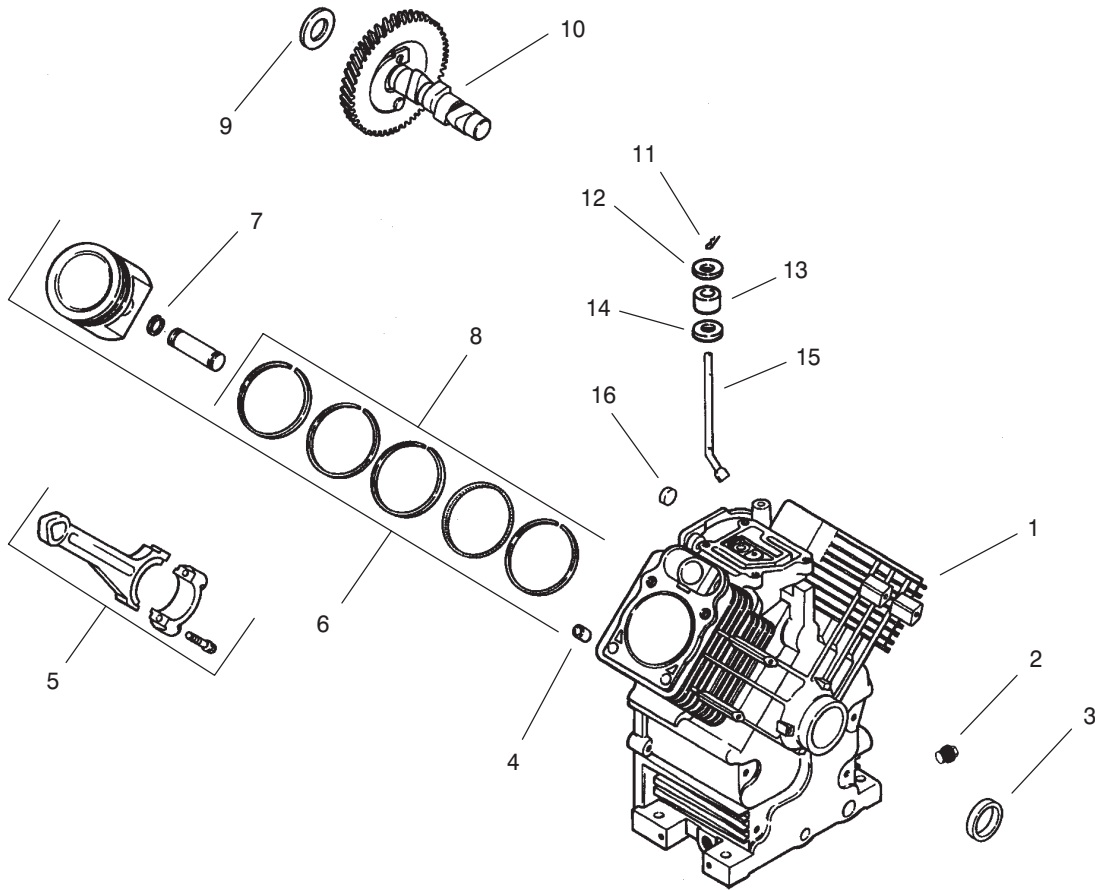


Group 1 – Crankshaft (CH20S 64637 Kohler)

Ref. No.	Part No.	Qty.	Description
1	24 014 90-S	1	Crankshaft
2	52 139 09-S	1	Plug, cup

Ref. No.	Part No.	Qty.	Description

Obtain Parts From Kohler

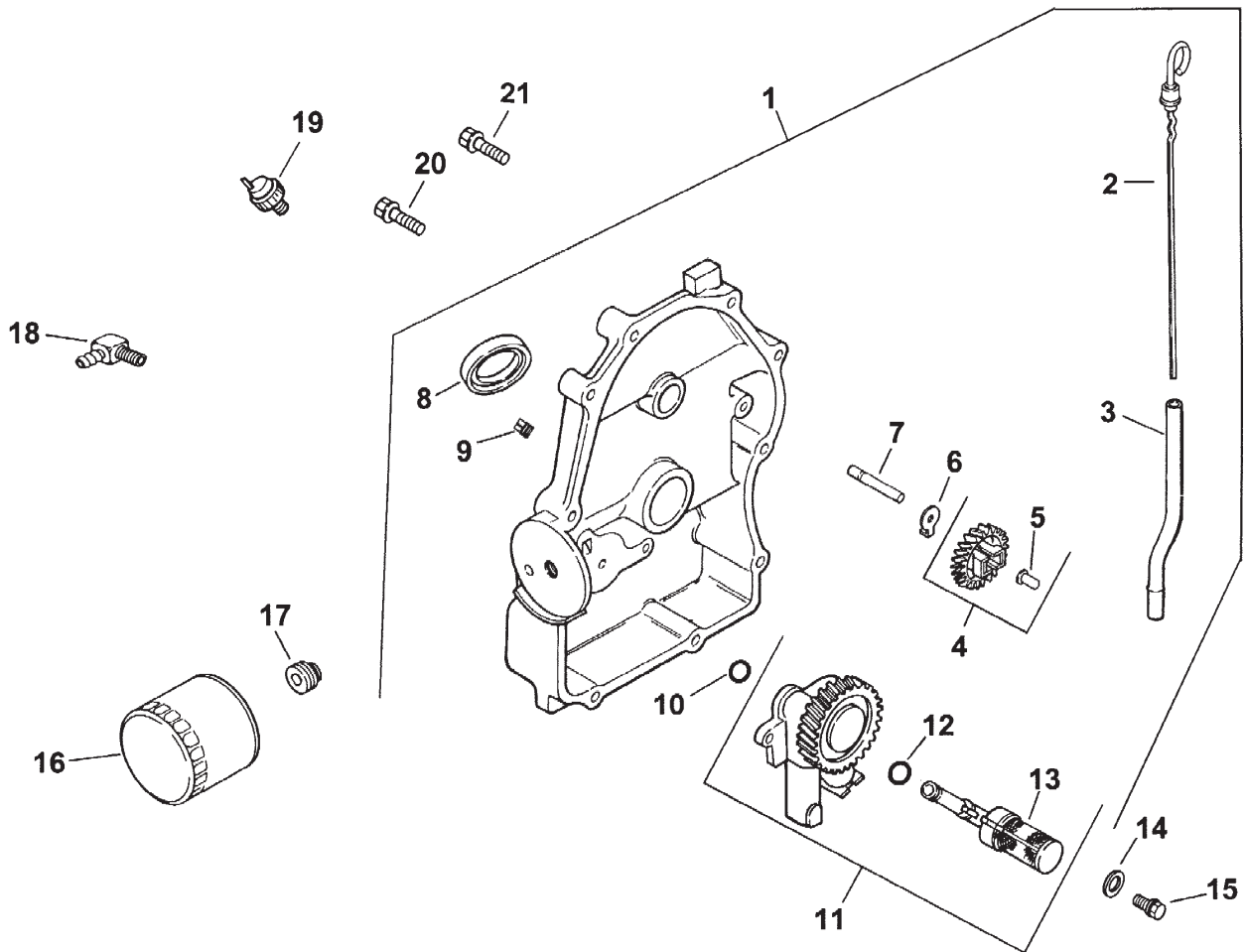


Group 2 – Crankcase (CH20S 64637 Kohler)

Ref. No.	Part No.	Qty.	Description
1		1	Crankcase (Use Miniblock 24 782 01)
2	52 139 02-S	2	Plug, pipe
3	24 032 01-S	1	Seal, oil front
4	12 380 17-S	6	Pin, dowel locating
5	24 067 13-S	2	Connecting Rod (Std.)
	24 067 14-S	2	Connecting Rod (.25)
6	24 874 01-S	2	Piston w/Ring Set (Std.)
	24 874 02-S	2	Piston w/Ring Set (.25)
	24 874 03-S	2	Piston w/Ring Set (.50)
	24 874 14-S	2	Piston w/Ring Set (.08)
7	24 018 01-S	4	Retainer, piston pin
8	24 108 01-S	2	Ring Set (Std.)
	24 108 02-S	2	Ring Set (.25)
	24 108 03-S	2	Ring Set (.50)
9	12 422 09-S	A/R	Shim, camshaft – red
	12 422 13-S	A/R	Shim, camshaft – black
	12 422 07-S	A/R	Shim, camshaft – white
	12 422 08-S	A/R	Shim, camshaft – blue
	12 422 10-S	A/R	Shim, camshaft – yellow
	12 422 11-S	A/R	Shim, camshaft – green
	12 422 12-S	A/R	Shim, camshaft – gray
10	24 012 10-S	1	Camshaft

Ref. No.	Part No.	Qty.	Description
11	12 380 04-S	1	Pin, hitch
12	M-631005-S	1	Washer, flat
13	12 032 01-S	1	Seal, governor cross shaft
14	X-25-102-S	1	Washer, plain
15	24 144 01-S	1	Shaft, governor cross
16	52 139 09-S	1	Plug, cup

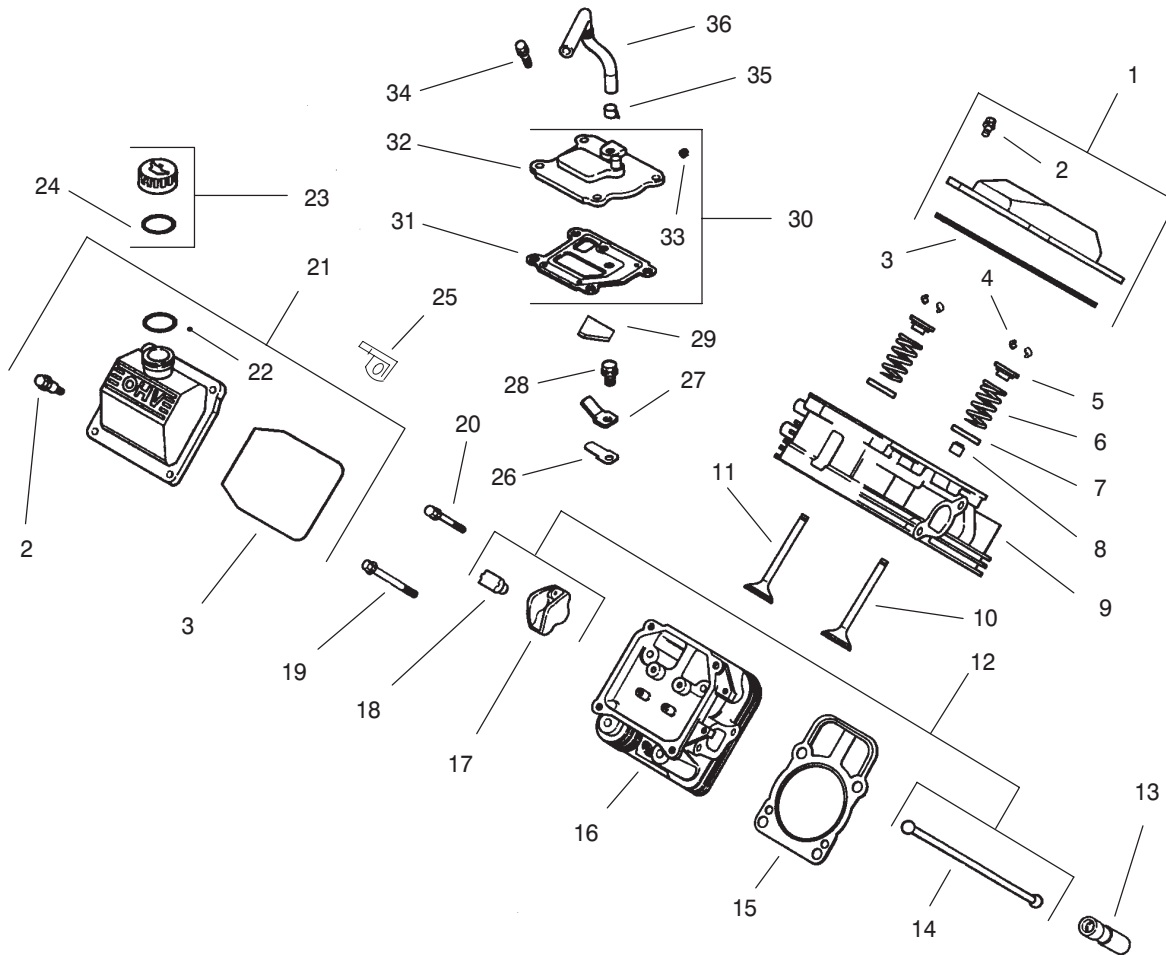
Obtain Parts From Kohler



Group 3 – Oil Pan/Lubrication (CH20S 64637 Kohler)

Ref. No.	Part No.	Qty.	Description	Ref. No.	Part No.	Qty.	Description
1	24 009 82-S	1	Plate, closure assembly (Includes 2-12)				
2	24 038 06-S	1	Dipstick				
3	24 123 08-S	1	Tube, dipstick				
4	24 043 12-S	1	Kit, governor gear (Includes 5)				
5	12 380 01-S	1	Pin, governor regulating				
6	52 448 02-S	1	Tab, locking				
7	12 144 02-S	1	Shaft, governor gear				
8	52 032 08-S	1	Seal, oil (PTO end)				
9	X-75-23-S	2	Plug, pipe 1/8"				
10	24 153 08-S	1	O-Ring				
11	24 393 10-S	1	Oil pump assembly (Includes 12,13)				
12	24 153 01-S	1	O-Ring, oil pick-up				
13	24 381 04-S	1	Pick-up, oil				
14	M-631005-S	2	Washer, plain 6 mm				
15	M-645025-S	2	Screw, hex flange				
16	52 050 02-S	1	Filter, oil				
17	24 136 01-S	1	Nipple, oil filter				
18	25 155 02-S	1	Connector				
19	24 099 03-S	1	Switch, pressure				
20	24 086 16-S	9	Screw, hex flange				
21	24 086 17-S	1	Screw, hex flange				

Obtain Parts From Kohler

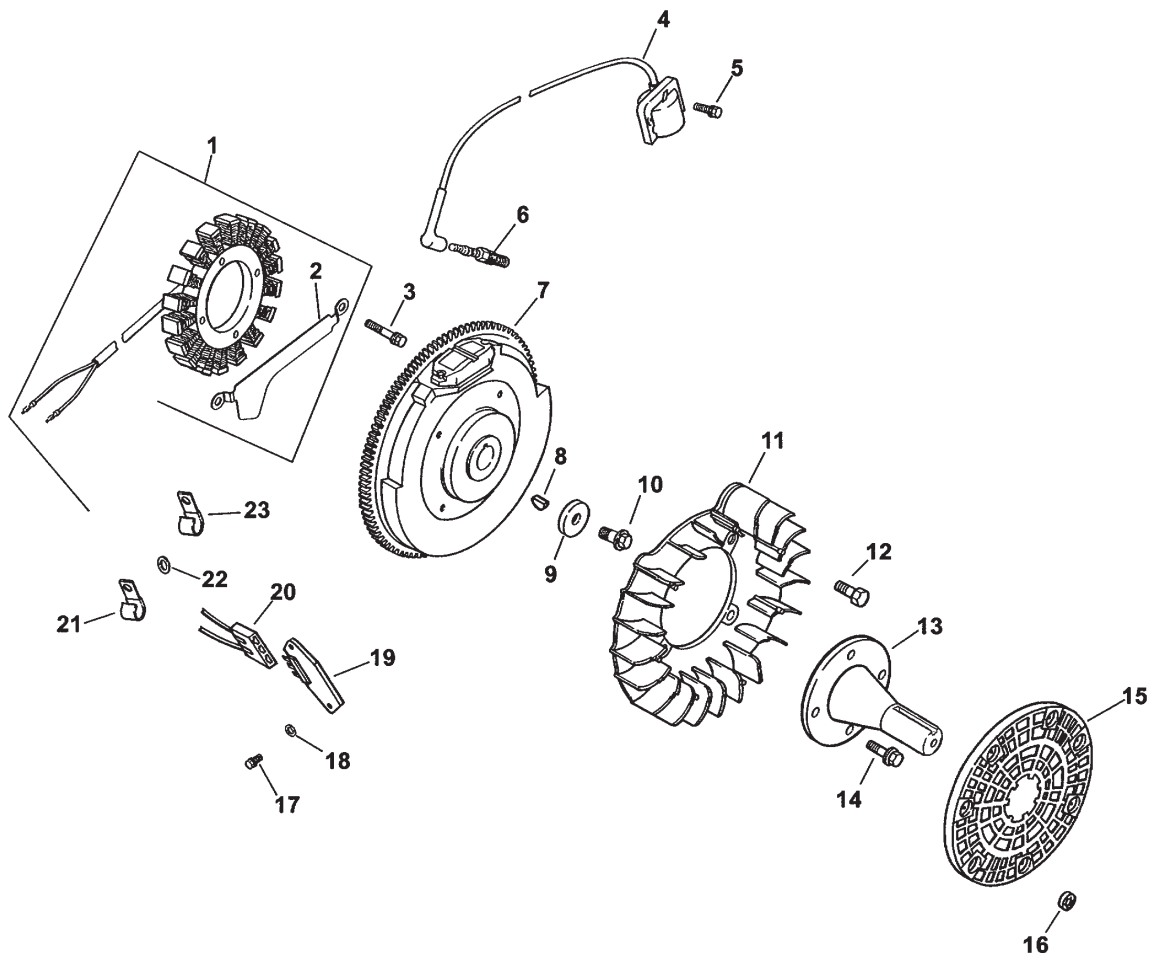


Group 4 – Head/Valve/Breather (CH20S 64637 Kohler)

Ref. No.	Part No.	Qty.	Description
1	24 755 74-S	1	Kit, valve cover – plain (Includes 2-3)
2	24 086 32-S	4	Screw, shoulder
3	24 153 16-S	1	O-Ring, valve cover
4	12 755 03-S	4	Kit, retainer
5	12 173 01-S	4	Cap, valve spring
6	24 089 02-S	4	Spring, valve
7	235011-S	4	Retainer, spring
8	24 032 05-S	2	Seal, valve stem
9	24 318 09-S	1	Head assembly, #1 cylinder
10	24 017 01-S	2	Valve, intake (Std.)
	24 017 02-S	2	Valve, intake (.25)
11	24 016 01-S	2	Valve, exhaust (Std.)
	24 016 02-S	2	Valve, exhaust (.25)
12	24 755 66-S	1	Kit, valve train (Includes 15,18,19)
13	12 351 01-S	4	Lifter, valve
14	24 411 05-S	4	Rod, push
15	24 041 08-S	2	Gasket, cylinder head
16	24 318 10-S	1	Head assembly, #2 cylinder
17	25 186 01-S	4	Arm, rocker
18	24 599 01-S	4	Pivot, rocker arm
19	12 086 16-S	8	Screw, hex. flange
20	M-640034-S	4	Screw, hex. flange

Ref. No.	Part No.	Qty.	Description
21	24 755 75-S	1	Kit, valve cover – oil fill (Includes 2,3,23)
22	24 153 09-S	1	O-Ring
23	24 755 46-S	1	Kit, oil fill cap (Includes 24)
24	12 153 03-S	1	O-Ring, oil fill cap
25	24 445 01-S	1	Strap, Lifting
26	24 402 03-S	1	Reed, breather
27	12 018 01-S	1	Retainer, breather reed
28	M-545010-S	1	Screw, hex. flange
29	24 050 01-S	1	Filter, breather
30	24 033 01-S	1	Kit, breather (Includes 31-33)
31	24 041 23-S	1	Gasket, breather
32	24 096 58-S	1	Cover, breather
33	X-75-23-S	1	Plug, allen head pipe
34	M-645020-S	4	Screw, hex. flange
35	X-426-9-S	1	Clamp, breather
36	24 326 26-S	1	Hose, breather

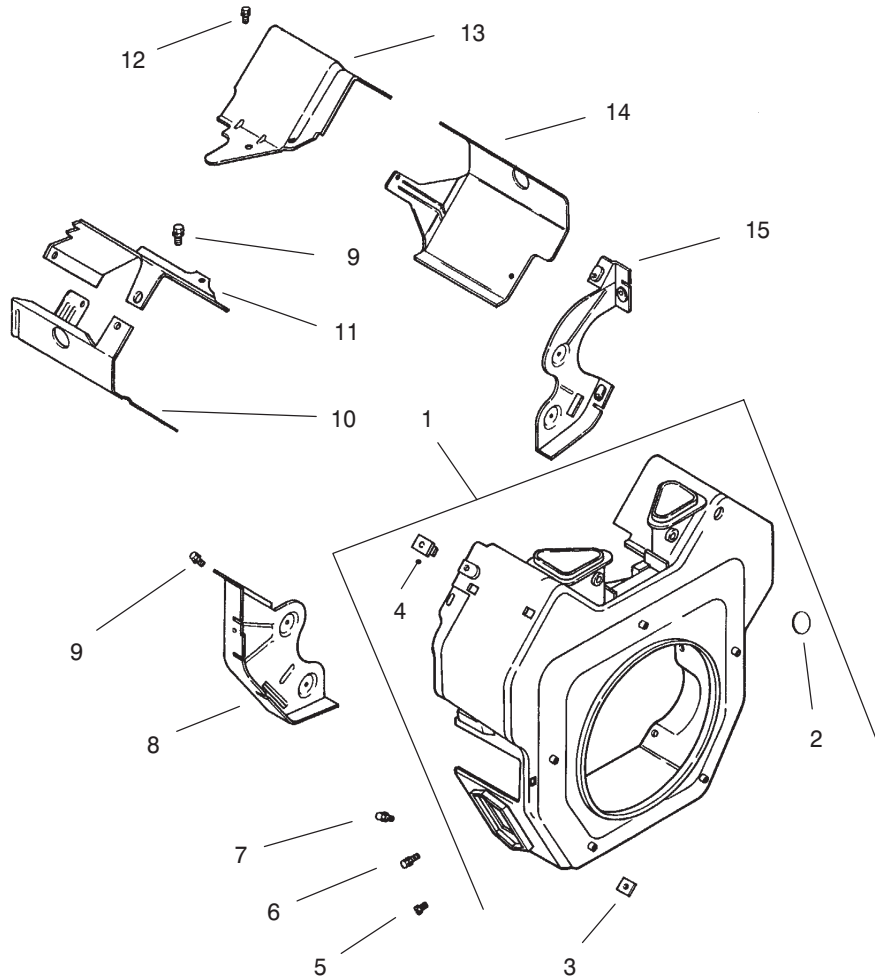
Obtain Parts From Kohler



Group 5 – Ignition/Electrical (CH20S 64637 Kohler)

Ref. No.	Part No.	Qty.	Description	Ref. No.	Part No.	Qty.	Description
1	54 755 09-S	1	Kit, 15 amp stator (Includes 2)				Not Illustrated
2	24 126 71-S	1	Bracket, stator wire		25 518 12-S	1	Lead, black, (4" – 18 gauge – insulated grip barrel eyelet terminals)
3	M-548025-S	2	Screw, hex. cap		X-67-3-S	1	Screw, sems hex cap (used to mount terminal on wiring harness to baffle)
4	24 584 01-S	2	Module, ignition		24 176 08-S	1	Harness, wiring
5	M-545020-S	4	Screw, hex. flange		X-22-11-S	1	Washer, lock
6	12 132 06-S	2	Spark Plug		25 454 03-S	2	Tie, cable
7	24 025 01-S	1	Flywheel				
8	X-42-15-S	1	Key				
9	12 468 03-S	1	Washer, plain 3/8"				
10	12 086 14-S	1	Screw, hex flange				
11	24 157 01-S	1	Fan				
12	25 086 47-S	4	Bolt, shoulder				
13	24 144 13-S	1	Shaft, front drive				
14	M-839025-S	4	Screw, hex flange				
15	24 162 16-S	1	Screen, grass				
16	24 018 03-S	3	Retainer				
17	24 086 18-S	2	Screw, phillips hd.				
18	X-25-92-S	2	Washer, plain 3/16				
19	25 403 03-S	1	Rectifier-regulator 15 amp				
20	236602-S	1	Connector				
21	235173-S	1	Clip, cable				
22	X-25-63-S	1	Washer, plain 1/4"				
23	48 154 02-S	1	Clip, cable				

Obtain Parts From Kohler

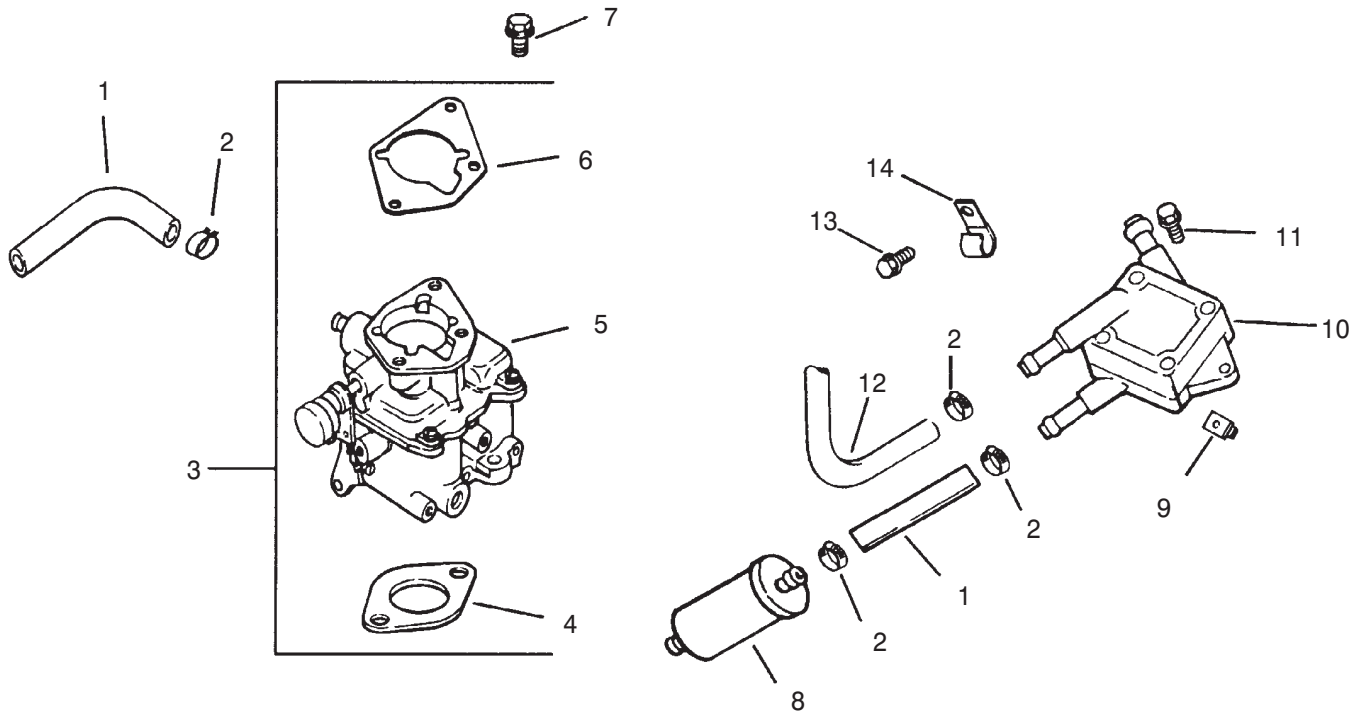


Group 6 – Blower Housing & Baffles (CH20S 64637 Kohler)

Ref. No.	Part No.	Qty.	Description
1	24 027 20-S	1	Housing, blower (Includes 2-4)
2	25 139 16-S	1	Plug, button 9/16"
3	24 100 01-S	3	Nut, plastic
4	24 100 02-S	2	Nut, plastic
5	M-551016-S	1	Screw, hex. flange
6	M-545016-S	3	Screw, hex. flange
7	M-565020-S	4	Screw, hex. flange
8	24 146 16-S	1	Plate, backing - #2 side
9	M-645016	6	Screw, hex. flange
10	24 063 20-S	1	Baffle, cyl. barrel-#2 side
11	24 063 17-S	1	Baffle, valley - #2 side
12	M-545010-S	2	Screw, hex. flange
13	24 063 24-S	1	Baffle, valley - #1 side
15	24 063 30-S	1	Baffle, cyl. barrel-#1 side
16	24 146 20-S	1	Plate, backing - #1 side
	24 113 67-S	1	Not Illustrated Decal, HP

Ref. No.	Part No.	Qty.	Description

Obtain Parts From Kohler

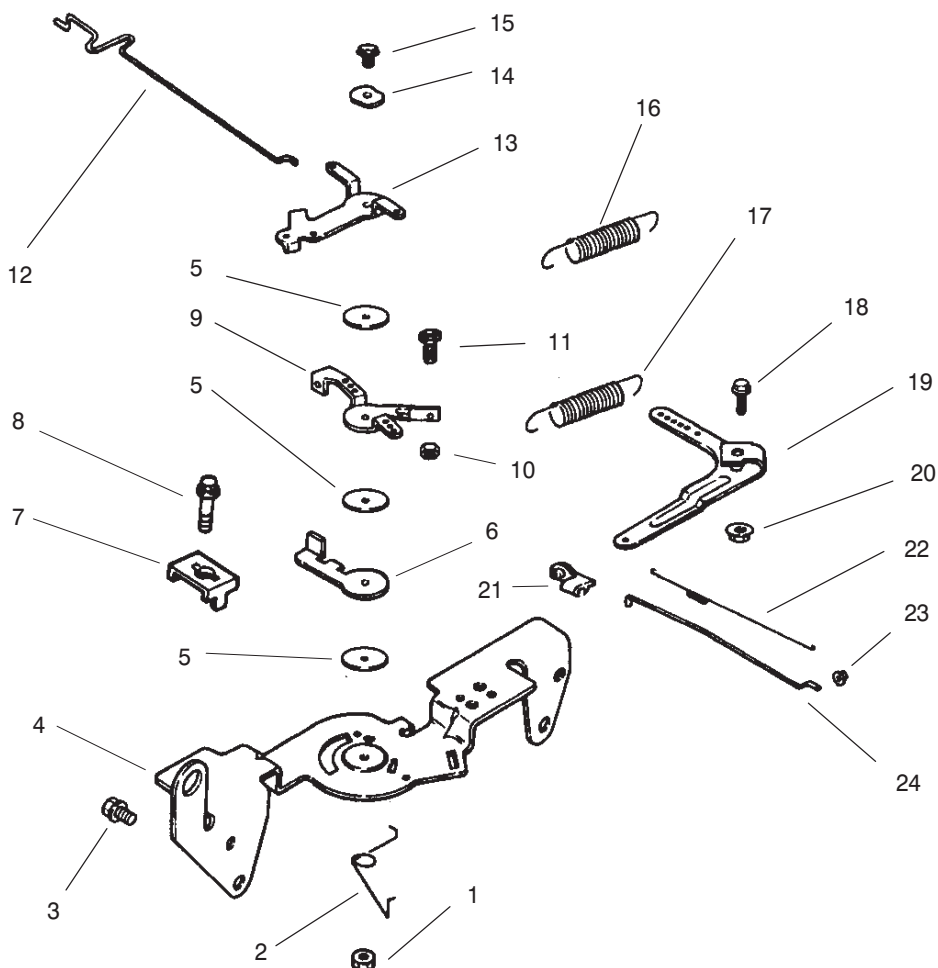


Group 8 – Fuel System (CH20S 64637 Kohler)

Ref. No.	Part No.	Qty.	Description
1	25 353 10-S	2	Line, fuel – 9"
2	X-426-9-S	6	Clamp, hose
3	24 853 32-S	1	Kit, carburetor w/gasket (Incl. 4-6)
4	24 041 06-S	1	Gasket, air cleaner
5	24 053 32-S	1	Carburetor assembly (For information only not available separate Includes 24 757 01-S, 24 757 02-S, 24 757 03S & 24 757 07-S)
6	24 041 17-S	1	Gasket, carburetor
7	M-651030-S	2	Screw, hex. flange
8	24 050 02-S	1	Filter, fuel
9	24 100 01-S	2	Nut, plastic
10	24 393 16-S	1	Pump, fuel-pulse
11	24 086 12-S	2	Screw, hex cap
12	24 353 02-S	1	Line, fuel 15-1/2"
13	M-650012-S	1	Screw, hex flange
14	47 154 01-S	1	Clip, cable
	24 757 01-S	1	Not Illustrated Kit, solenoid (Includes solenoid 24 521 01-S, O-Ring 24 153 04-S, O-Ring 24 153 05-S, O-Ring 24 153 06-S,

Ref. No.	Part No.	Qty.	Description
			Solenoid screw 24 086 07-S, & Solenoid 24 435 01-S)
	24 757 02-S	1	Kit-Float
	24 757 07-S	1	Kit, choke (Includes choke lever cap 24 173 02-S)
	24 757 03-S	1	Kit, carburetor repair (Includes inlet needle valve clip 24 154 01-S, inlet needle valve 24 462 01-S, carburetor body screw 24 086 09-S, carburetor body gasket 24 041 09-S, slow O-Ring 24 153 02-S, O-Ring 24 13 04-S, O-Ring 24 153 05-S, O-Ring 24 153 06-S, idle needle 24 368 01-S, & idle needle spring 24 089 11-S)

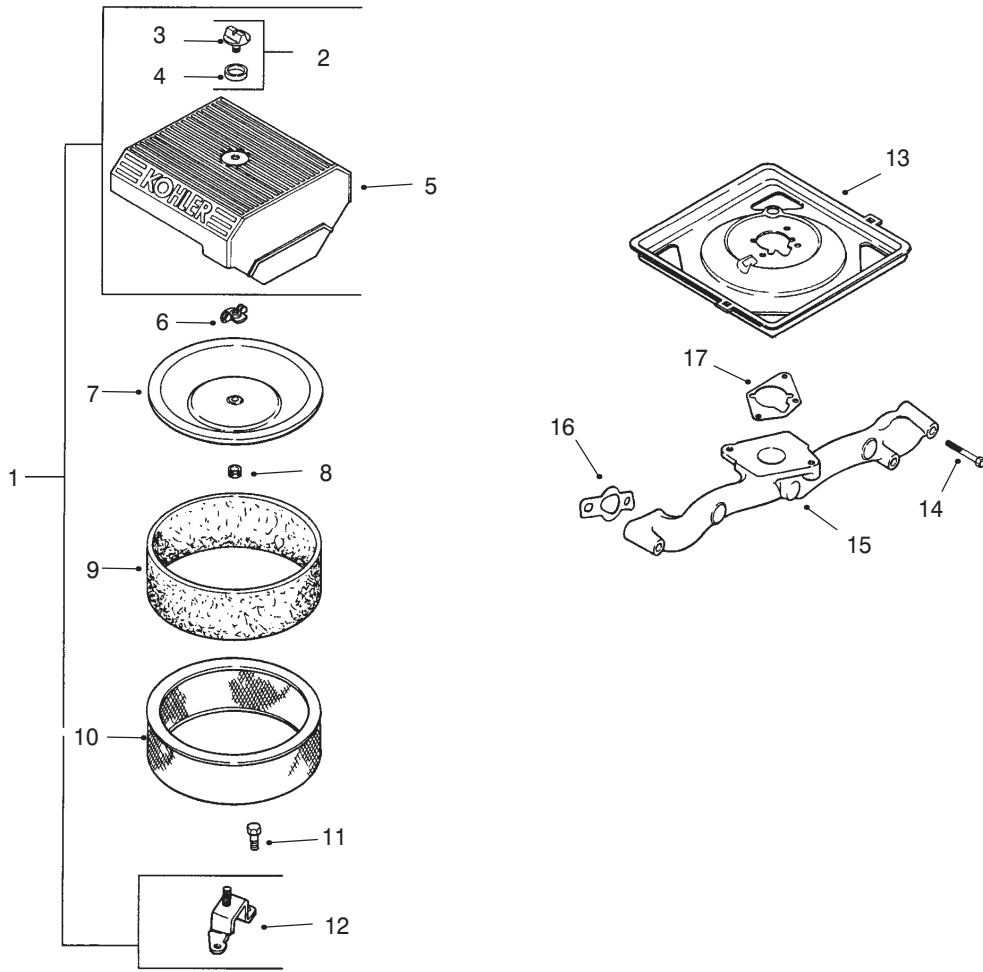
Obtain Parts From Kohler



Group 9 – Engine Controls (CH20S 64637 Kohler)

Ref. No.	Part No.	Qty.	Description	Ref. No.	Part No.	Qty.	Description
1	M-547050-S	1	Nut, hex. lock				
2	24 089 03-S	1	Spring, choke return				
3	M-645016-S	4	Screw, hex. flange				
4	24 126 56-S	1	Bracket, control				
5	24 468 01-S	3	Washer, plain				
6	24 090 07-S	1	Lever, throttle actuator				
7	12 237 01-S	2	Clamp, cable				
8	M-545016-S	2	Screw, hex. flange				
9	24 090 03-S	1	Lever, throttle control				
10	M-446030-S	1	Nut, hex				
11	M-401030-S	1	Screw, hex. cap				
12	24 079 02-S	1	Linkage, choke				
13	24 090 05-S	1	Lever, choke				
14	41 468 03-S	1	Washer, spring				
15	M-545020-S	1	Screw, hex. flange				
16	24 089 38-S	1	Spring, throttle limiter				
17	24 089 15-S	1	Spring, governor				
18	SM-642025-S	1	Screw, hex. flange				
19	24 090 14-S	1	Lever, governor				
20	M-641060-S	1	Nut, hex. flange				
21	25 158 11-S	1	Bushing, linkage retaining				
22	24 089 01-S	1	Spring, linkage				
23	25 158 08-S	1	Bushing, linkage retaining				
24	24 079 01-S	1	Linkage, throttle				

Obtain Parts From Kohler

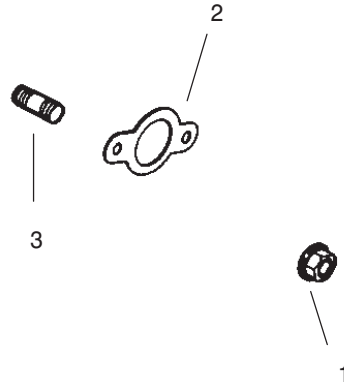


Group 10 – Air Intake/Filtration (CH20S 64637 Kohler)

Ref. No.	Part No.	Qty.	Description
1	24 743 05-S	1	Kit, air cleaner (Includes 2-5, 12)
2	54 755 01-S	1	Kit, air cleaner knob (Includes 3,4)
3	25 341 03-S	1	Knob, cover
4	24 153 15-S	1	O-Ring
5	24 096 24-S	1	Cover, air cleaner
6	12 100 01-S	1	Wing Nut
7	24 096 01-S	1	Cover, inner air cleaner
8	24 032 03-S	1	Seal, inner air cleaner
9	24 083 02-S	1	Precleaner, element
10	24 083 03-S	1	Element, air cleaner
11	M-639016-S	3	Screw, hex flange
12	24 126 21-S	1	Bracket, air cleaner base

Ref. No.	Part No.	Qty.	Description
13	24 094 03-S	1	Base, air cleaner
14	M-651055-S	4	Screw, hex flange
15	24 164 14-S	1	Manifold, intake
16	24 041 01-S	2	Gasket, intake manifold
17	24 041 06-S	1	Gasket, air cleaner base

Obtain Parts From Kohler



Group 11 – Exhaust (CH20S 64637 Kohler)

Ref. No.	Part No.	Qty.	Description
1	M-841080-S	4	Nut, hex flange
2	24 041 02-S	2	Gasket, exhaust
3	25 072 04-S	4	Stud
			Not Illustrated
	24 782 01-S	1	Miniblock
	24 755 03-S	1	Gasket Set

Ref. No.	Part No.	Qty.	Description

Obtain Parts From Kohler

