



Count on it.

Parts Catalog

**X25 GeoLink® Precision Spray
System Finishing Kit**

**Serial Number 315000001 and After Multi
Pro® 1750 Turf Sprayer**

Model No. 41631—Serial No. 403400001 and Up



Ordering Replacement Parts

To order replacement parts, please supply the part number, the quantity, and the description of each part desired.

Understanding Reference Numbers

Each identified part in an illustration has a reference number. The reference number for a part also appears in the parts list, along with other information about the part.

This catalog uses two special reference number formats, one to indicate parts in a service assembly and another to indicate the quantity of a given part in an illustration.

Service Assembly Reference Numbers

Parts in service assemblies have reference numbers in the form a:b. The a represents the reference number of the entire service assembly and the b represents a sequential number unique to each part within the service assembly.

For example, a wheel assembly might be identified by reference number 6, the tire by 6:1, the valve by 6:2, and the wheel by 6:3. When you order the assembly identified by reference number 6, you receive all parts identified by reference numbers 6:1, 6:2, and 6:3. However, you may also order any part individually. Reference numbers of this type appear in illustration and in parts lists.

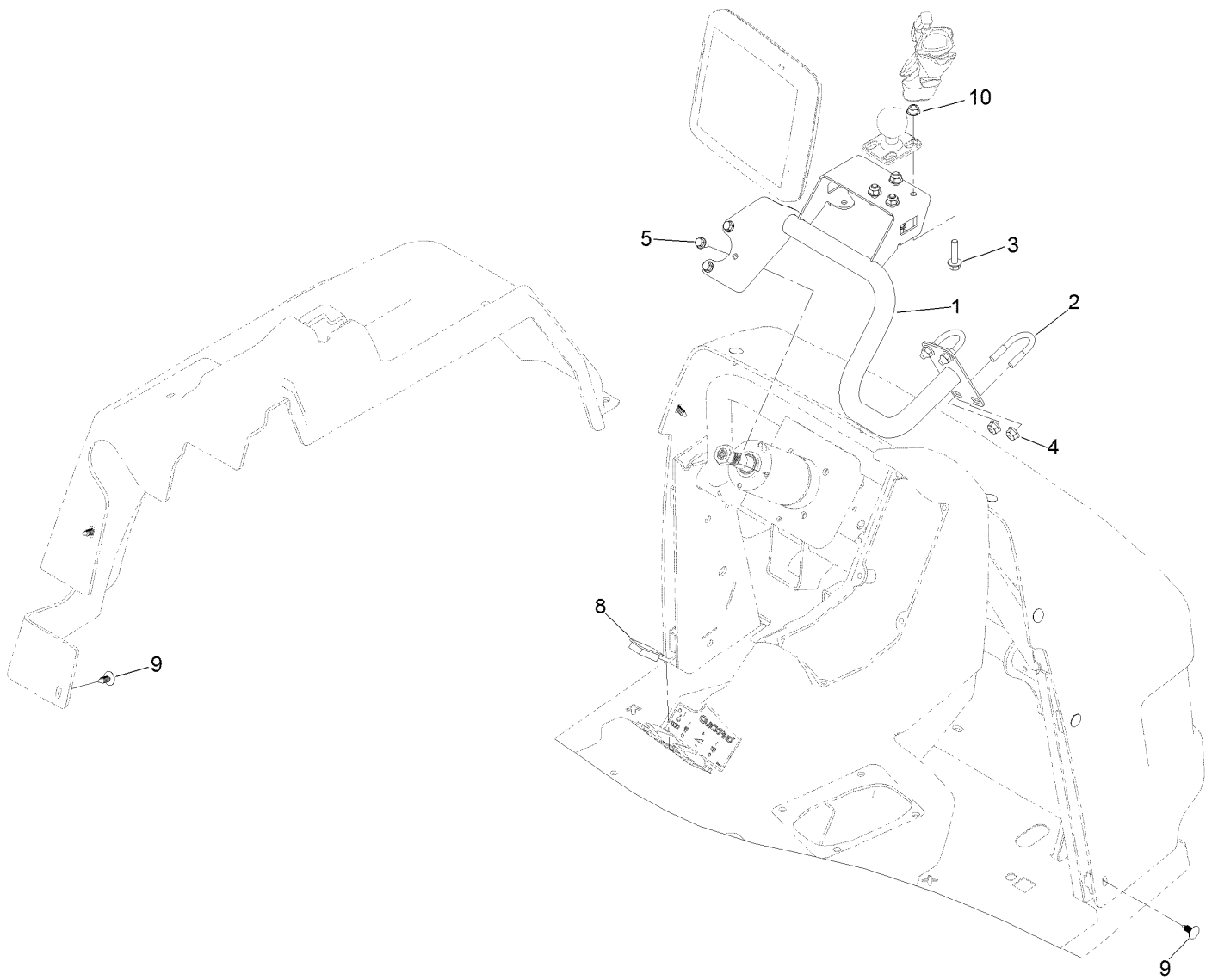
Reference Numbers Indicating Quantity

In an illustration, if a reference number indicates more than one part, the reference number has the form nX y. The n represents the quantity of the part, the X is the multiplication symbol, and the y represents the reference number.

For example, in an illustration, the reference number 2X 37 means that two of the parts identified by reference number 37 are indicated.

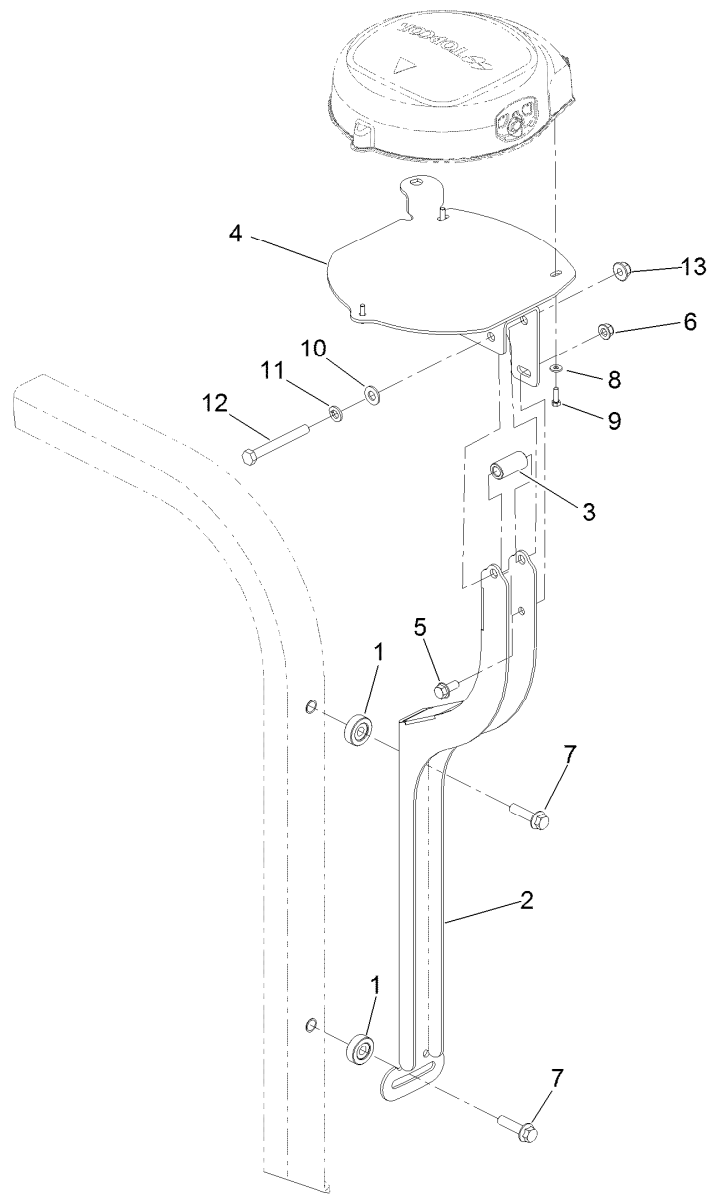
Contents

Monitor Mount Assembly.....	4
Receiver Mount Assembly	5
Hose Assembly.....	6
Shutoff Bypass Valve Assembly No. 131-5838.....	7
On/Off 2-Way Valve Kit No. 131-0249	8
GPS Valve Mount and Hose Assembly.....	9
GPS Valve Mount Assembly.....	10
Section Valve Manifold Assembly	11
On/Off Manifold Valve Kit No. 127-9803.....	12
On/Off Actuator Kit No. 131-3723	13
Bypass Valve Assembly No. 127-9805.....	14
Center Boom Assembly.....	15
Double Turret Body Assembly No. 108-3727	16
Electrical Assembly	17



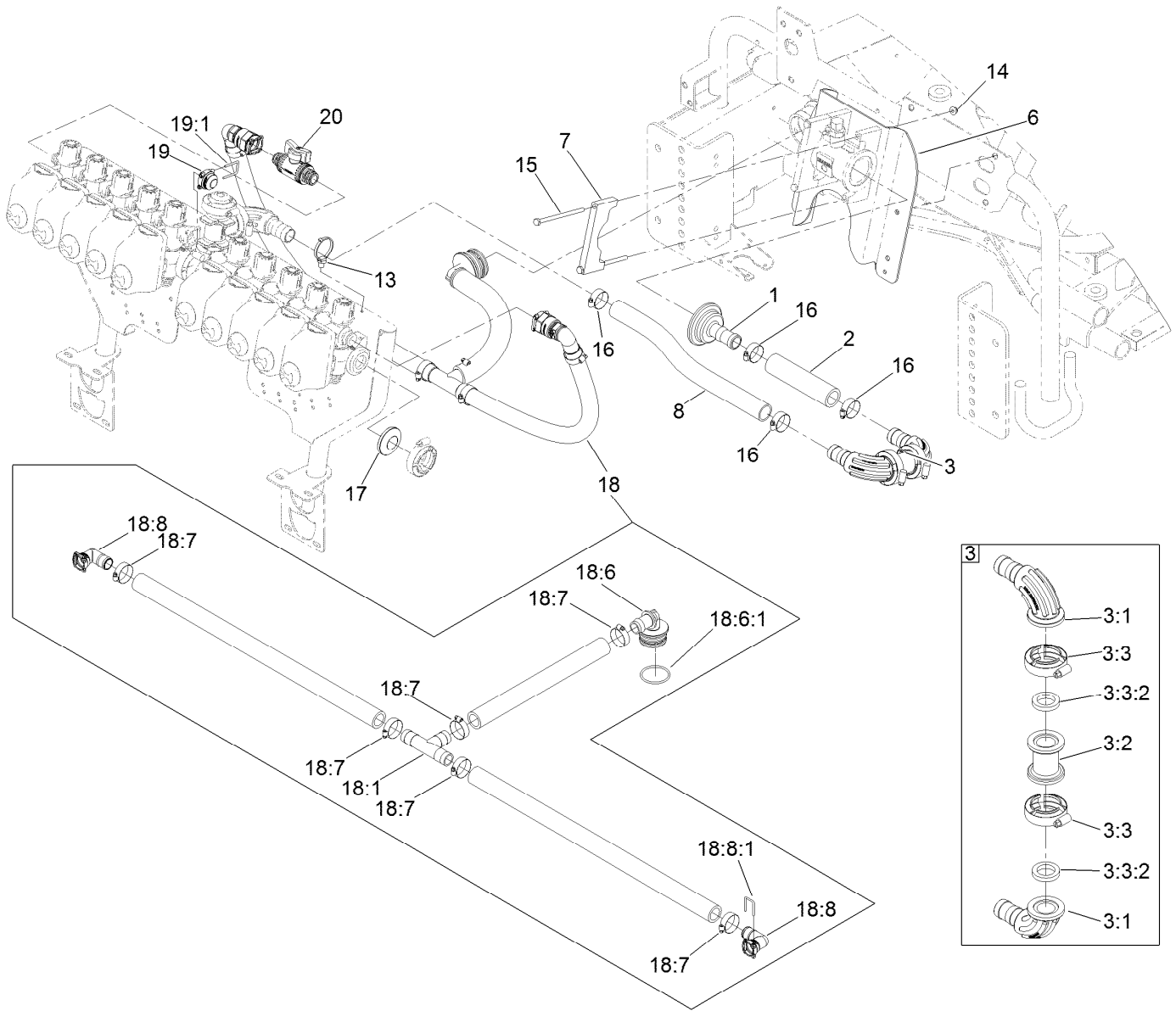
Monitor Mount Assembly

Ref.	Part Number	Qty.	Description
1	133-2844-03	1	Mount-Monitor
2	60-9350	2	U-Bolt
3	3234-21	4	Screw-HHF
4	104-8300	4	Nut-HF, NI
5	33103-012	3	Screw-HHF
8	99-7420	1	Plug-Hole
9	117-2382	14	Plug-Plastic
10	104-7201	4	Nut-HF



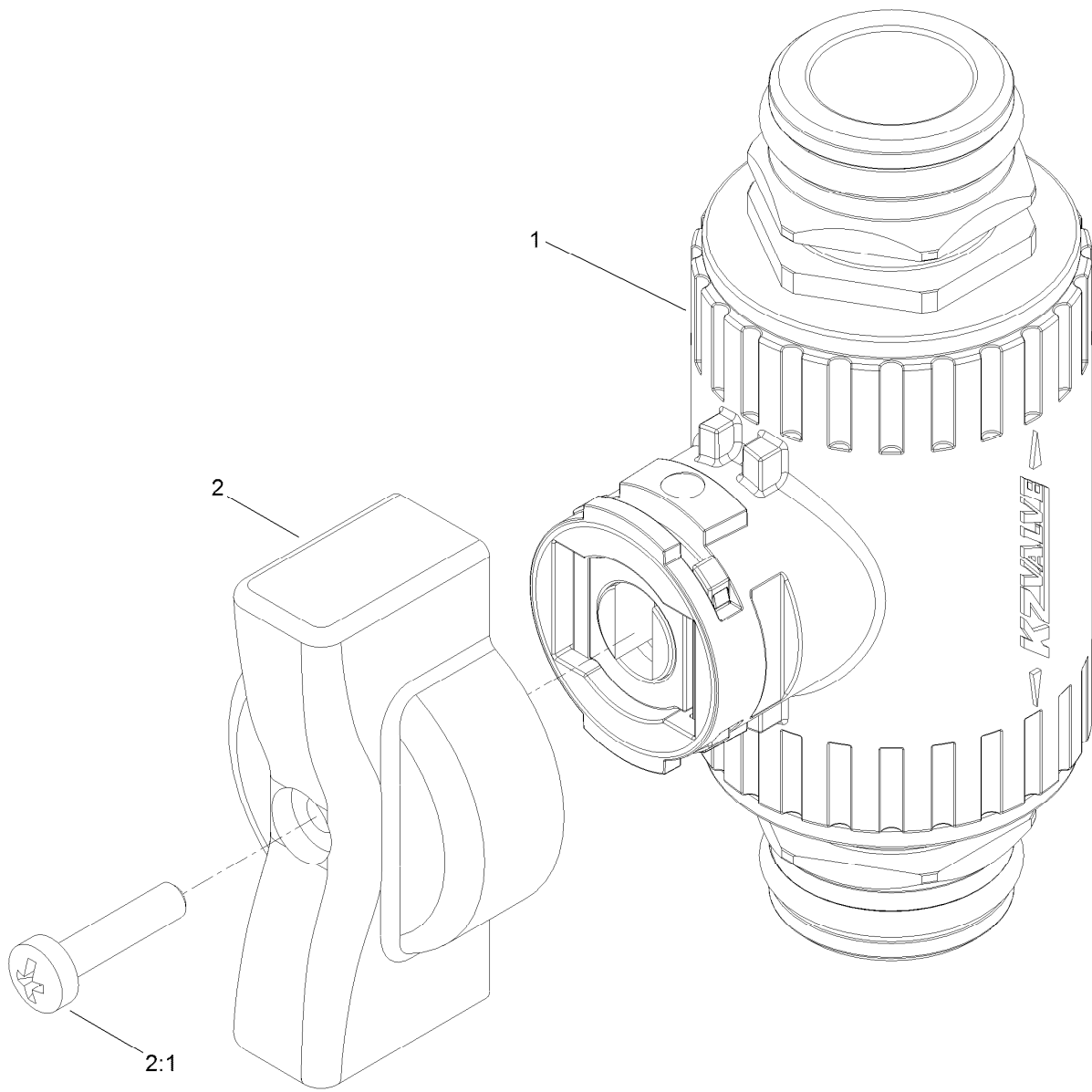
Receiver Mount Assembly

Ref.	Part Number	Qty.	Description
1	133-2896	2	Spacer-Standoff
2	133-2891-03	1	Mount-Receiver
3	110-3726	1	Spacer
4	133-2895-03	1	Plate-Receiver
5	3234-47	1	Screw-HHF
6	104-8300	1	Nut-HF, NI
7	114-4681	2	Screw-HHF
8	3256-14	3	Washer-Flat
9	60-6910	3	Screw-HH
10	3256-24	1	Washer-Flat
11	3253-21	1	Washer-Lock
12	323-20	1	Screw-HH
13	104-8301	1	Nut-HF, NI



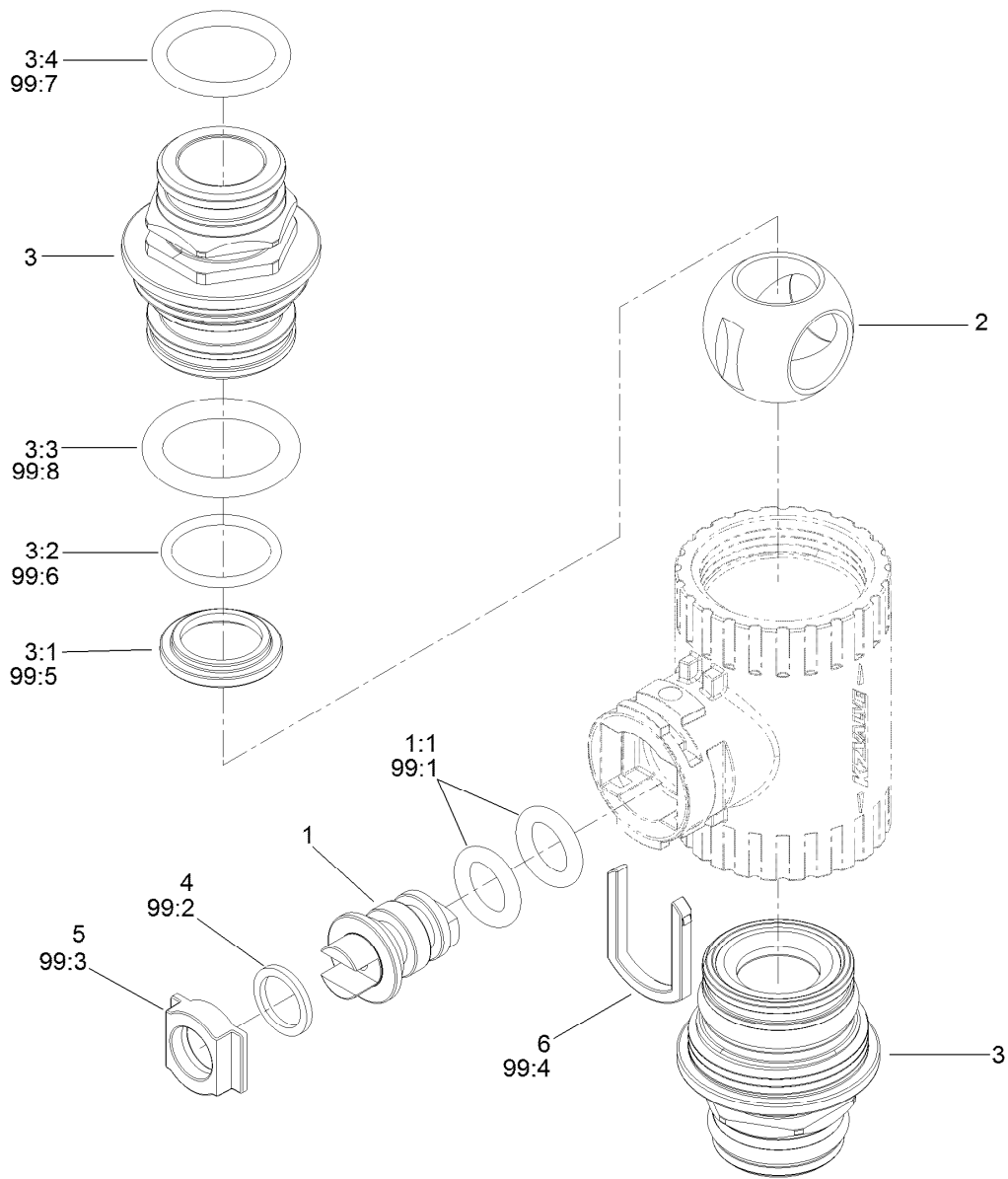
Hose Assembly

Ref.	Part Number	Qty.	Description	Ref.	Part Number	Qty.	Description
1	107-8704	1	Hosebarb	16	2412-34	4	Clamp-Hose
2	133-2774	1	Hose-Supply	17	127-9815	1	Fitting-Cap
3	138-0646	1	Manifold-Connection	18	136-0467	1	Hose Assembly
3:1	131-0241	2	Fitting-Elbow, Sweep	18:1	117-7866	1	Tee-Hosebarb
3:2	127-9814	1	Fitting-Adapter	18:6	106-4933	1	Hosebarb ASM
3:3	127-9829	2	Clamp/Gasket Kit	18:6:1	100-8637	1	O-Ring
3:3:2	127-1145	1	Gasket-Flange	18:7	2412-34	6	Clamp-Hose
6	133-2818-03	1	Mount-Flowmeter	18:8	131-0213	2	90 DEG Barb Fitting Kit
7	132-7605	4	Clamp-Flowmeter	18:8:1	133-0398	1	Pin-Fork
8	132-4311	1	Hose-Agitation	19	127-9811	1	Fitting-Cap, Female
13	32180-030	1	Clip-Tie	19:1	133-0398	1	Pin-Fork
14	104-7201	4	Nut-HF	20	131-5838	1	Shutoff Bypass Valve ASM
15	321-38	4	Screw-HH				



Shutoff Bypass Valve Assembly No. 131-5838

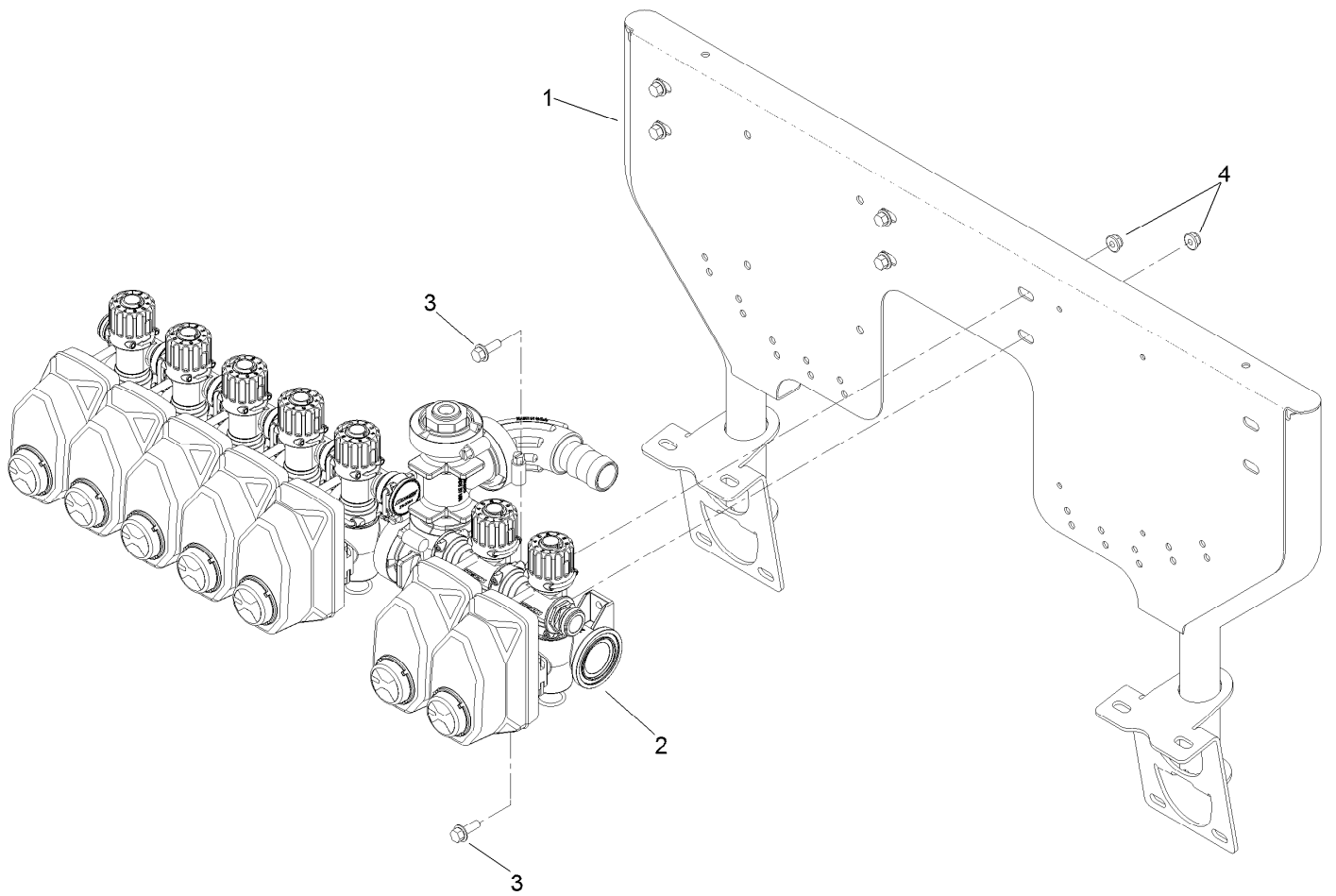
<i>Ref.</i>	<i>Part Number</i>	<i>Qty.</i>	<i>Description</i>
1	131-0249	1	On/Off 2-Way Valve Kit
2	131-0267	1	Bypass Handle Kit
2:1	131-0263	1	Screw-Handle



On/Off 2-Way Valve Kit No. 131-0249

Ref.	Part Number	Qty.	Description	Ref.	Part Number	Qty.	Description
1	130-8248	1	Valve Stem Kit	6	127-1190	1	Fork-Stem, Valve
1:1	127-1197	2	O-Ring-Stem	99	130-7304	1	Valve Repair Kit ●
2	131-0252	1	Ball-2-Way	99:1	127-1197	2	O-Ring-Stem
3	130-7317	2	Endcap Kit	99:2	127-1196	2	Washer-Stem, Valve
3:1	127-1192	1	Seat-Ball	99:3	127-1195	1	Seat-Stem, Valve
3:2	127-1188	1	O-Ring, Seat (Ball)	99:4	127-1190	1	Fork-Stem, Valve
3:3	127-1189	1	O-Ring, Endcap	99:5	127-1192	2	Seat-Ball
3:4	127-1187	1	O-Ring, Endcap	99:6	127-1188	2	O-Ring, Seat (Ball)
4	127-1196	1	Washer-Stem, Valve	99:7	127-1187	2	O-Ring, Endcap
5	127-1195	1	Seat-Stem, Valve	99:8	127-1189	2	O-Ring, Endcap

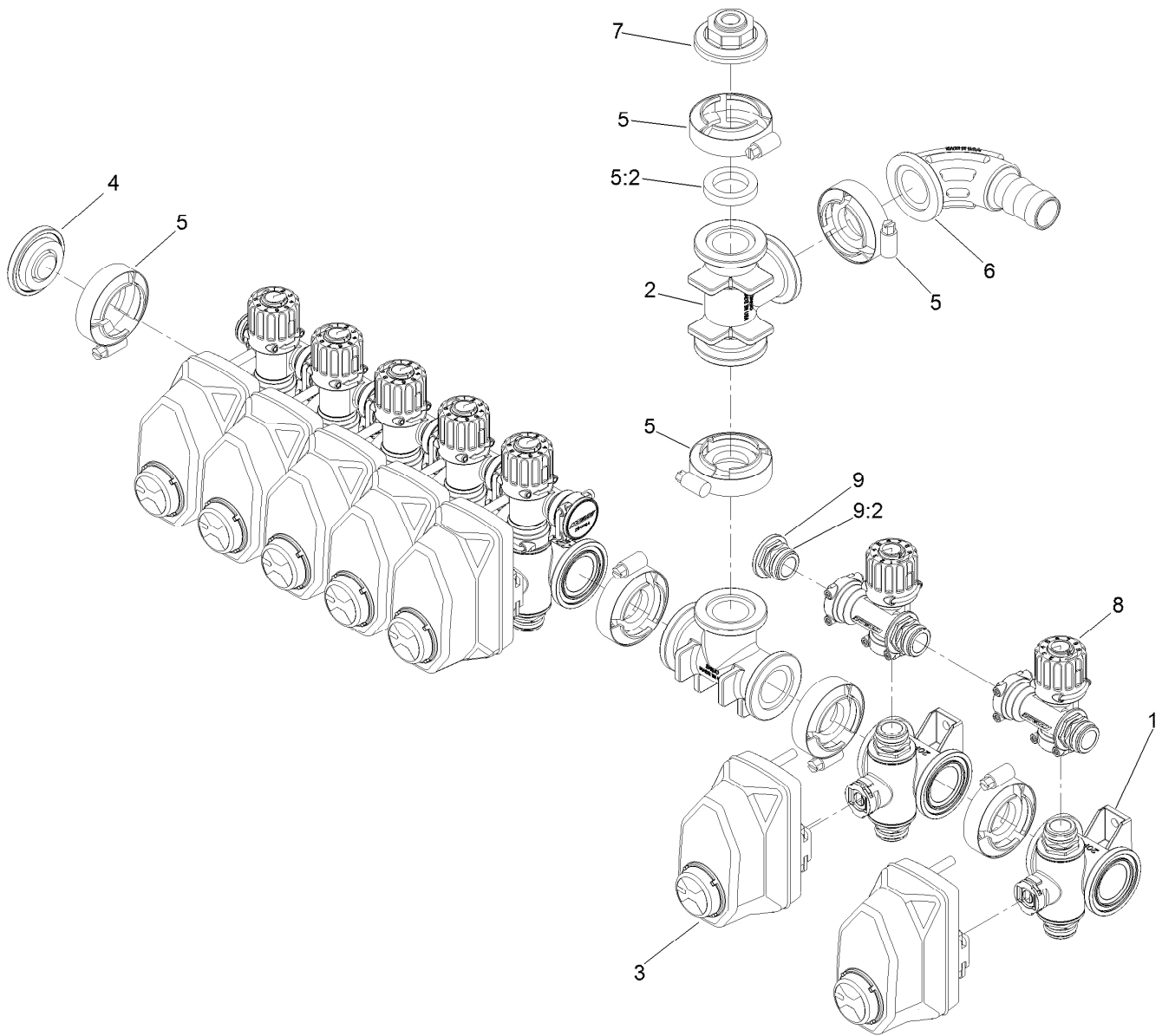
● Not illustrated



GPS Valve Mount Assembly

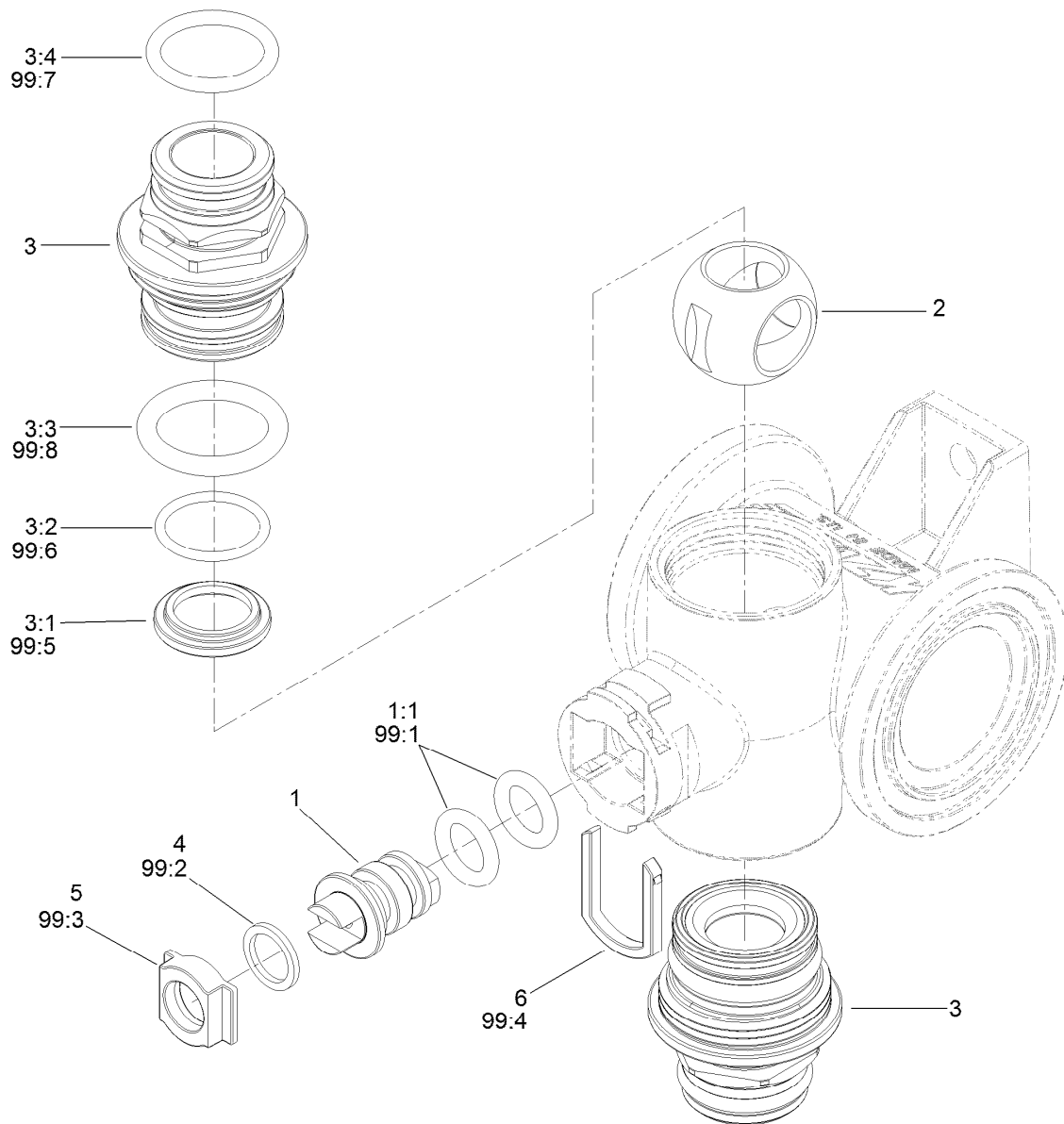
<i>Ref.</i>	<i>Part Number</i>	<i>Qty.</i>	<i>Description</i>
1	131-3753-03	1	Mount-Valve, GPS
2		1	Manifold-Valves, Sections ●
3	3234-4	6	Screw-HHF
4	104-7201	6	Nut-HF

● Not serviced separately



Section Valve Manifold Assembly

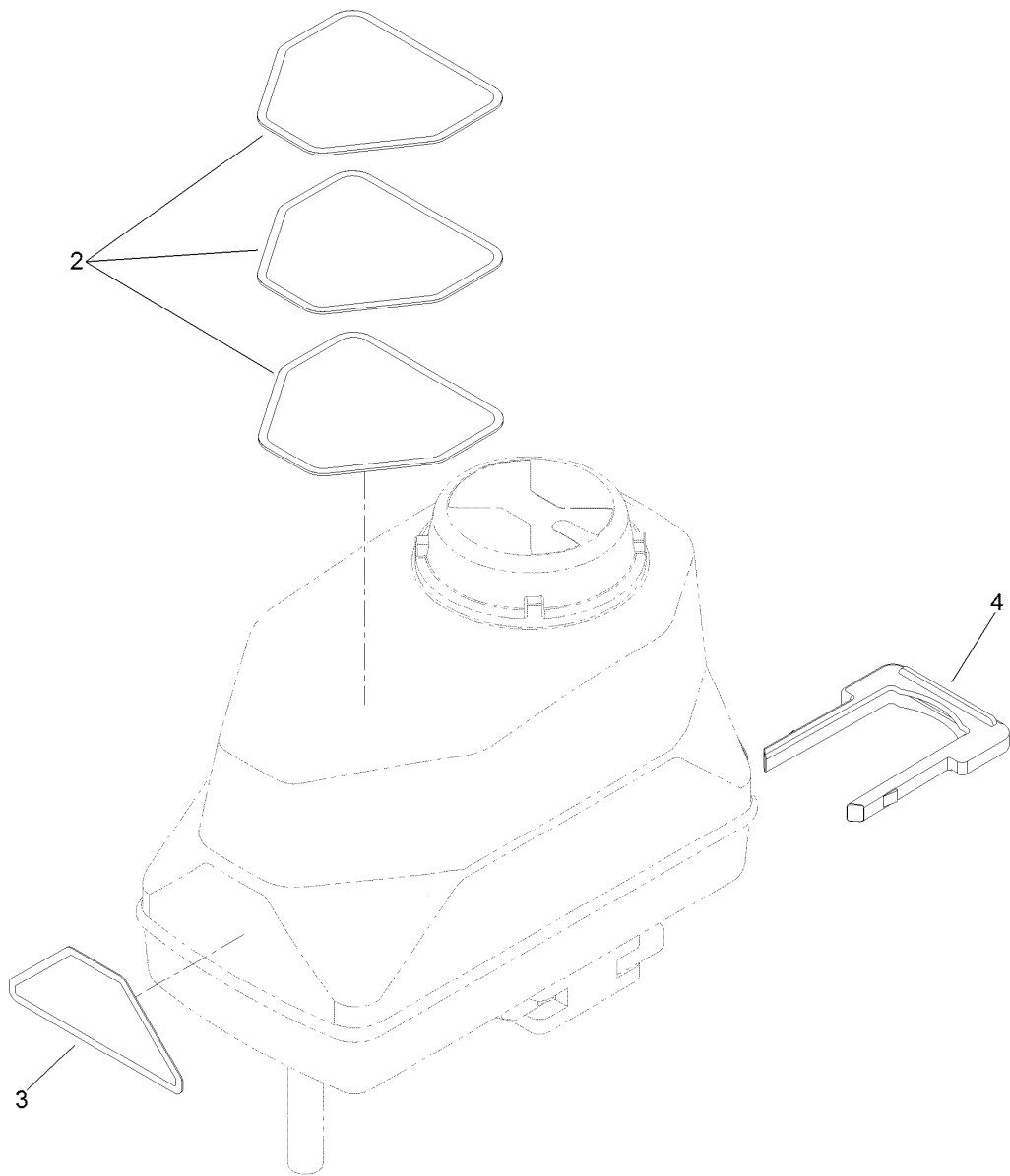
<i>Ref.</i>	<i>Part Number</i>	<i>Qty.</i>	<i>Description</i>
1	127-9803	7	On/Off Manifold Valve Kit
2	127-9834	2	Fitting-Tee
3	131-3723	7	Actuator On/Off Kit
4	127-9815	1	Fitting-Cap
5	127-9829	11	Clamp/Gasket Kit
5:2	127-1145	1	Gasket-Flange
6	131-0241	1	Fitting-Elbow, Sweep
7	127-1185	1	Fitting-Cap, Port
8	127-9805	7	Bypass Valve ASM
9	127-9810	2	Male Cap Fitting Kit
9:2	127-1187	1	O-Ring, Endcap



On/Off Manifold Valve Kit No. 127-9803

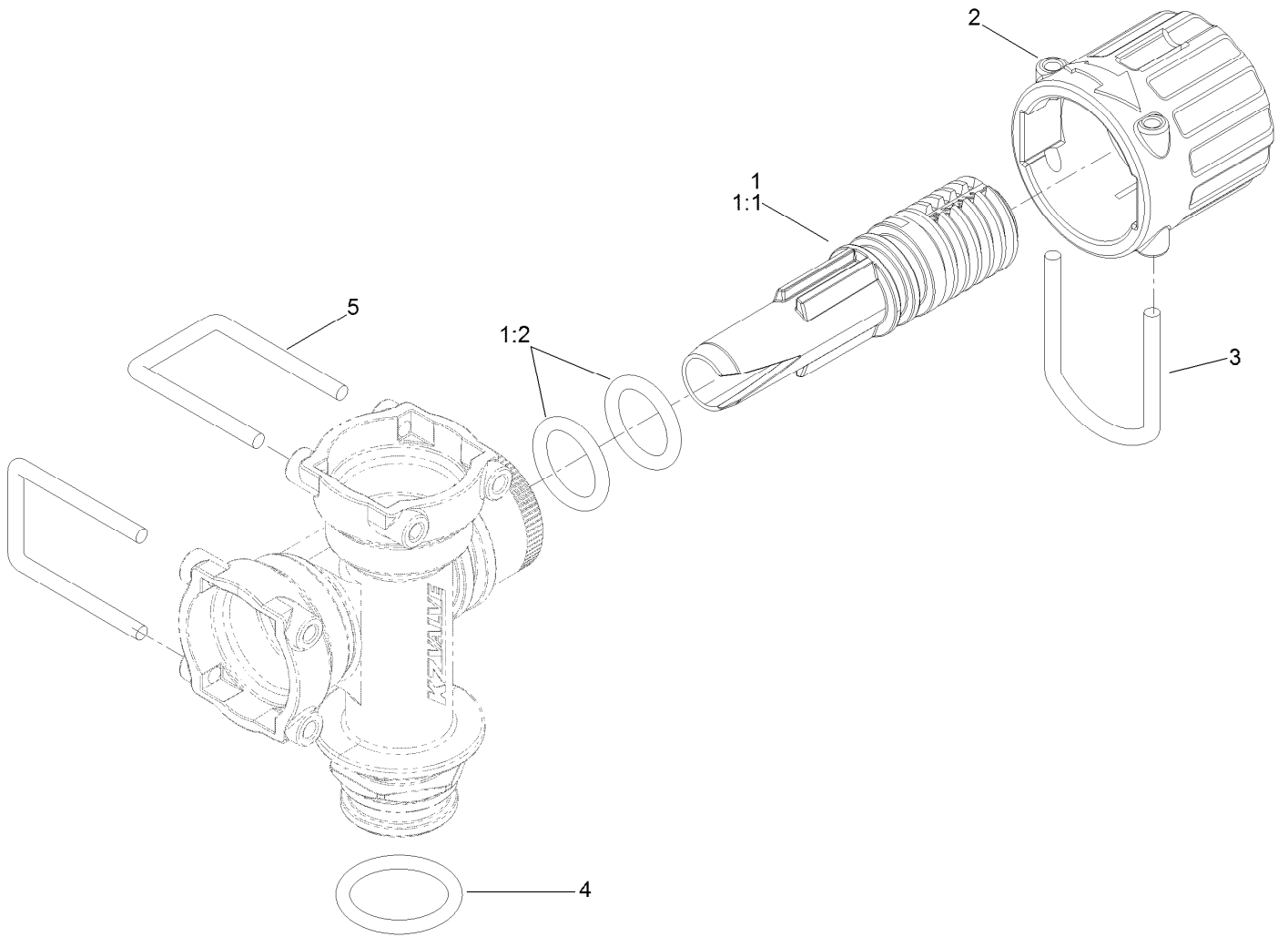
<i>Ref.</i>	<i>Part Number</i>	<i>Qty.</i>	<i>Description</i>	<i>Ref.</i>	<i>Part Number</i>	<i>Qty.</i>	<i>Description</i>
1	130-8248	1	Vavle Stem Kit	6	127-1190	1	Fork-Stem, Valve
1:1	127-1197	2	O-Ring-Stem	99	130-7304	1	Valve Repair Kit ●
2	127-1194	1	Ball-Valve, 3Way	99:1	127-1197	2	O-Ring-Stem
3	130-7317	2	Endcap Kit	99:2	127-1196	2	Washer-Stem, Valve
3:1	127-1192	1	Seat-Ball	99:3	127-1195	1	Seat-Stem, Valve
3:2	127-1188	1	O-Ring, Seat (Ball)	99:4	127-1190	1	Fork-Stem, Valve
3:3	127-1189	1	O-Ring, Endcap	99:5	127-1192	2	Seat-Ball
3:4	127-1187	1	O-Ring, Endcap	99:6	127-1188	2	O-Ring, Seat (Ball)
4	127-1196	1	Washer-Stem, Valve	99:7	127-1187	2	O-Ring, Endcap
5	127-1195	1	Seat-Stem, Valve	99:8	127-1189	2	O-Ring, Endcap

● Not illustrated



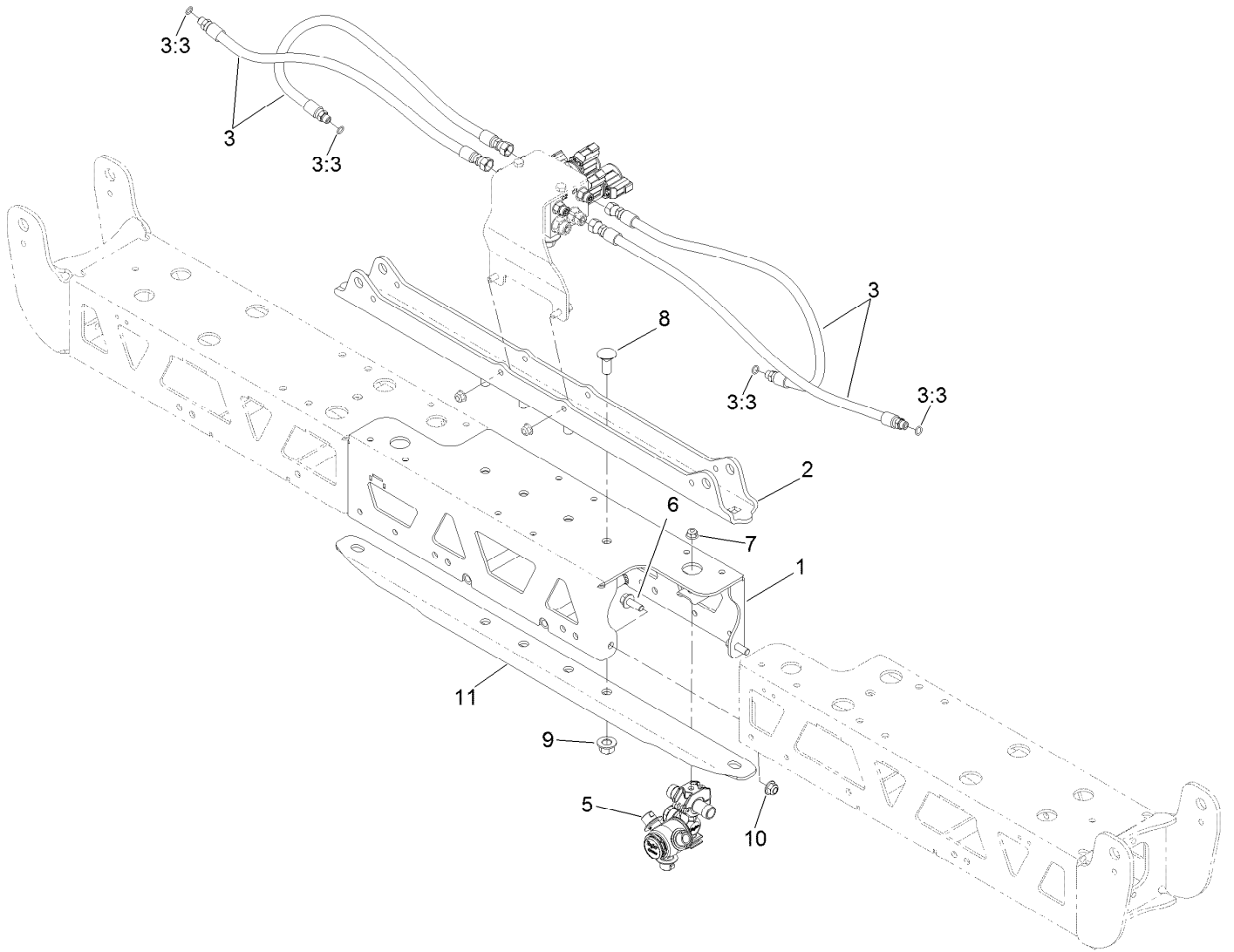
On/Off Actuator Kit No. 131-3723

<i>Ref.</i>	<i>Part Number</i>	<i>Qty.</i>	<i>Description</i>
2	127-6979	1	Decal-Valve, Agitation
2	127-6981	1	Decal-Valve, On/Off
2	127-6982	1	Decal-Valve, Master Boom
3	127-6976	1	Decal-Valve, Bypass Adjust
4	130-7301	1	Hairpin-Actuator



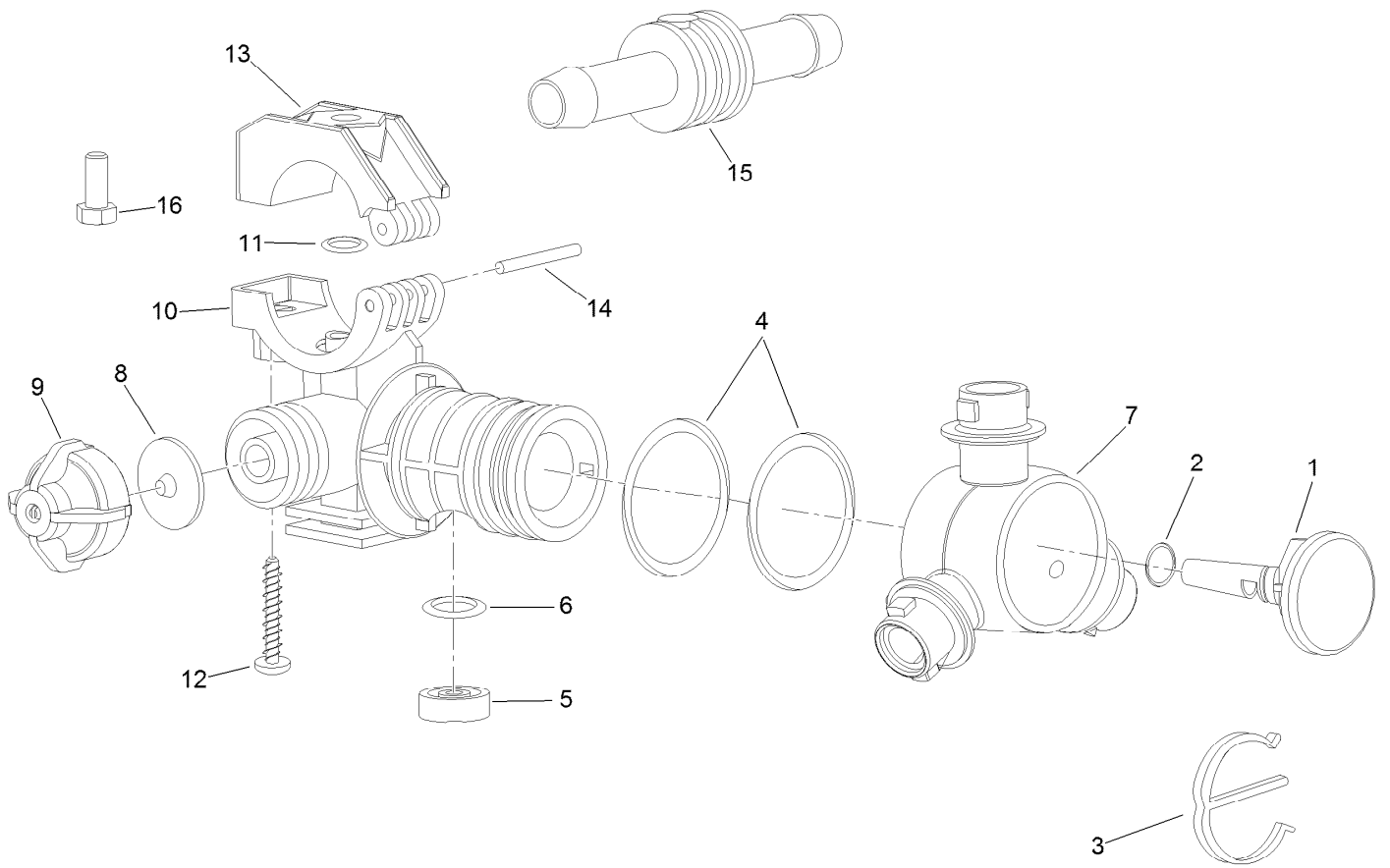
Bypass Valve Assembly No. 127-9805

<i>Ref.</i>	<i>Part Number</i>	<i>Qty.</i>	<i>Description</i>
1	131-0298	1	Bypass Needle Kit
1:1	127-1182	1	Needle-Bypass
1:2	127-1181	2	Oring-Bypass Needle
2	127-1180	1	Knob-Bypass
3	127-1179	1	Fork-Bypass Knob
4	127-1187	1	O-Ring, Endcap
5	133-0398	2	Pin-Fork



Center Boom Assembly

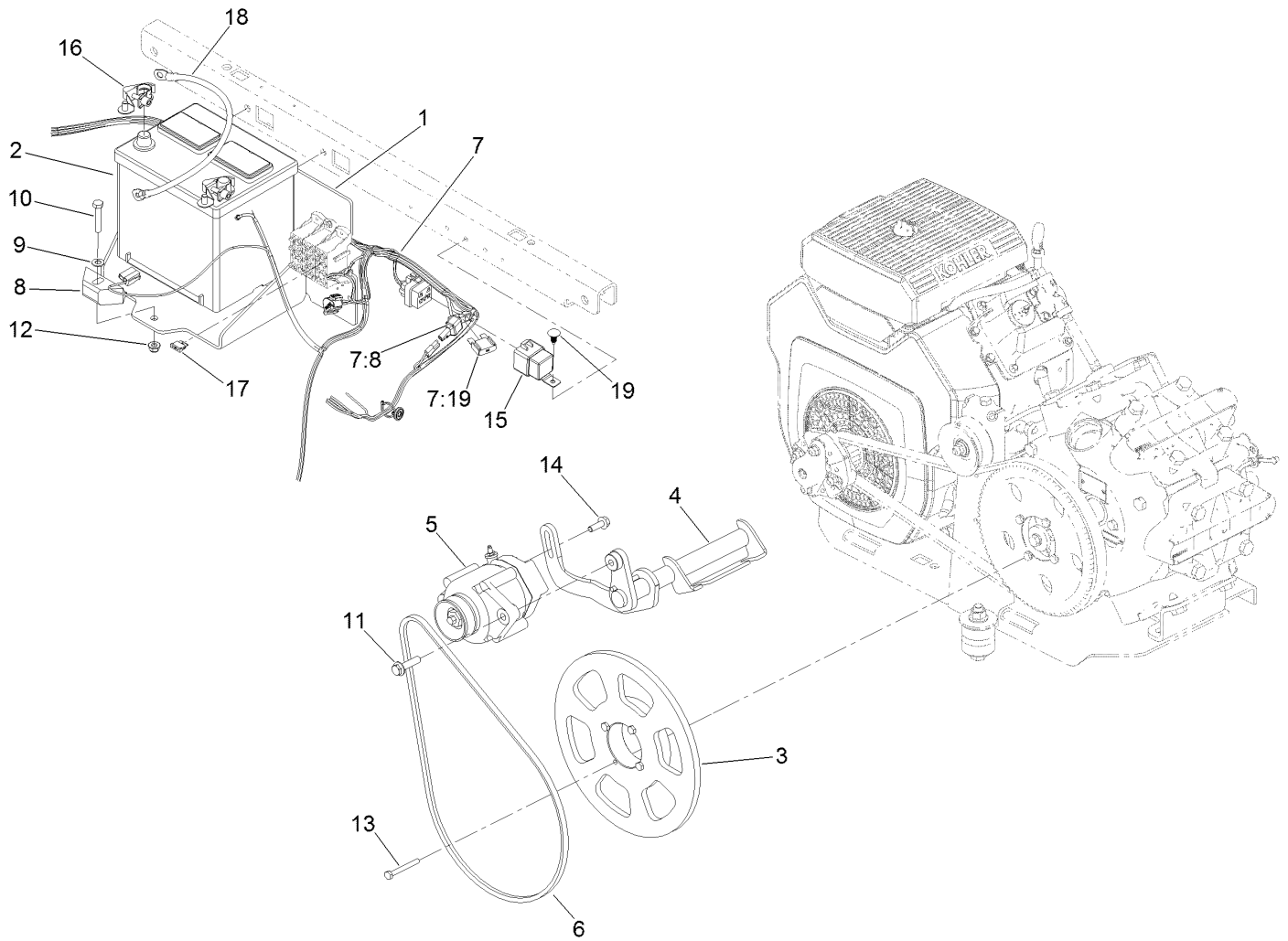
<i>Ref.</i>	<i>Part Number</i>	<i>Qty.</i>	<i>Description</i>
1	133-0412-03	1	Center-Center, Boom
2	131-0275-03	1	Plate-Mount
3	131-0276	4	Hose ASM
3:3	237-78	1	O-Ring
5	108-3727	1	Double Turret Body ASM
6	3234-42	4	Screw-HHF
7	104-8300	1	Nut-HF, NI
8	110-5067	4	Screw-CARR
9	99-5107	4	Nut-Lock
10	104-8301	4	Nut-HF, NI
11	131-0285-03	1	Stiffener-Channel



Double Turret Body Assembly No. 108-3727

Ref.	Part Number	Qty.	Description
1	95-9200	1	Plug
2	95-9198	1	O-Ring
3	95-9197	1	E-Clip
4	95-9199	2	O-Ring
5	108-3264	1	Seal-Viton
6	108-3265	1	O-Ring-Viton
7	95-9196	1	Turret
8	41003	1	Diaphragm

Ref.	Part Number	Qty.	Description
9	95-9193	1	Cap-Diaphragm
10	95-9192	1	Body-Split Eyelet
11	95-9191	1	O-Ring
12	99-0811	1	Screw-Clamp
13	99-0812	1	Clamp-Upper
14	99-0814	1	Pin-Pivot
15	95-9202	1	Shank-Hose
16	322-3	1	Screw-HH



Electrical Assembly

Ref.	Part Number	Qty.	Description
1	136-2264-03	1	Bracket-Battery
2	106-5187	1	Battery-Dry
3	133-2804	1	Pulley
4	136-0483-03	1	Mount-Alternator
5	133-2851	1	Alternator
6	133-2763	1	Belt-Alternator
7	122-0794	1	Harness-Wire
7:8	100-4918	1	Diode
7:19	94-8002	1	Fuse-Blade, 50 Amp
8	138-6335	1	Retainer-Battery
9	3256-23	1	Washer-Plain

Ref.	Part Number	Qty.	Description
10	322-9	1	Screw-HH
11	3234-18	1	Screw-HHF
12	104-8300	1	Nut-HF, NI
13	100-5858	4	Screw-HH
14	33104-025	1	Screw-HHF
15	99-7430	1	Relay-Mini
16	119-9674	1	Terminal-Clamp, Quick
17	109355	1	Fuse-Blade, 15 Amp
18	122-0838	1	Cable-Battery, Positive
19	117-2382	1	Plug-Plastic

Notes:

Notes:



Count on it.