



Count on it.

Parts Catalog

**48in Hydraulic Blade
Compact Tool Carrier**

Model No. 22414—Serial No. 404000000 and Up



Ordering Replacement Parts

To order replacement parts, please supply the part number, the quantity, and the description of each part desired.

Understanding Reference Numbers

Each identified part in an illustration has a reference number. The reference number for a part also appears in the parts list, along with other information about the part.

This catalog uses two special reference number formats, one to indicate parts in a service assembly and another to indicate the quantity of a given part in an illustration.

Service Assembly Reference Numbers

Parts in service assemblies have reference numbers in the form a:b. The a represents the reference number of the entire service assembly and the b represents a sequential number unique to each part within the service assembly.

For example, a wheel assembly might be identified by reference number 6, the tire by 6:1, the valve by 6:2, and the wheel by 6:3. When you order the assembly identified by reference number 6, you receive all parts identified by reference numbers 6:1, 6:2, and 6:3. However, you may also order any part individually. Reference numbers of this type appear in illustration and in parts lists.

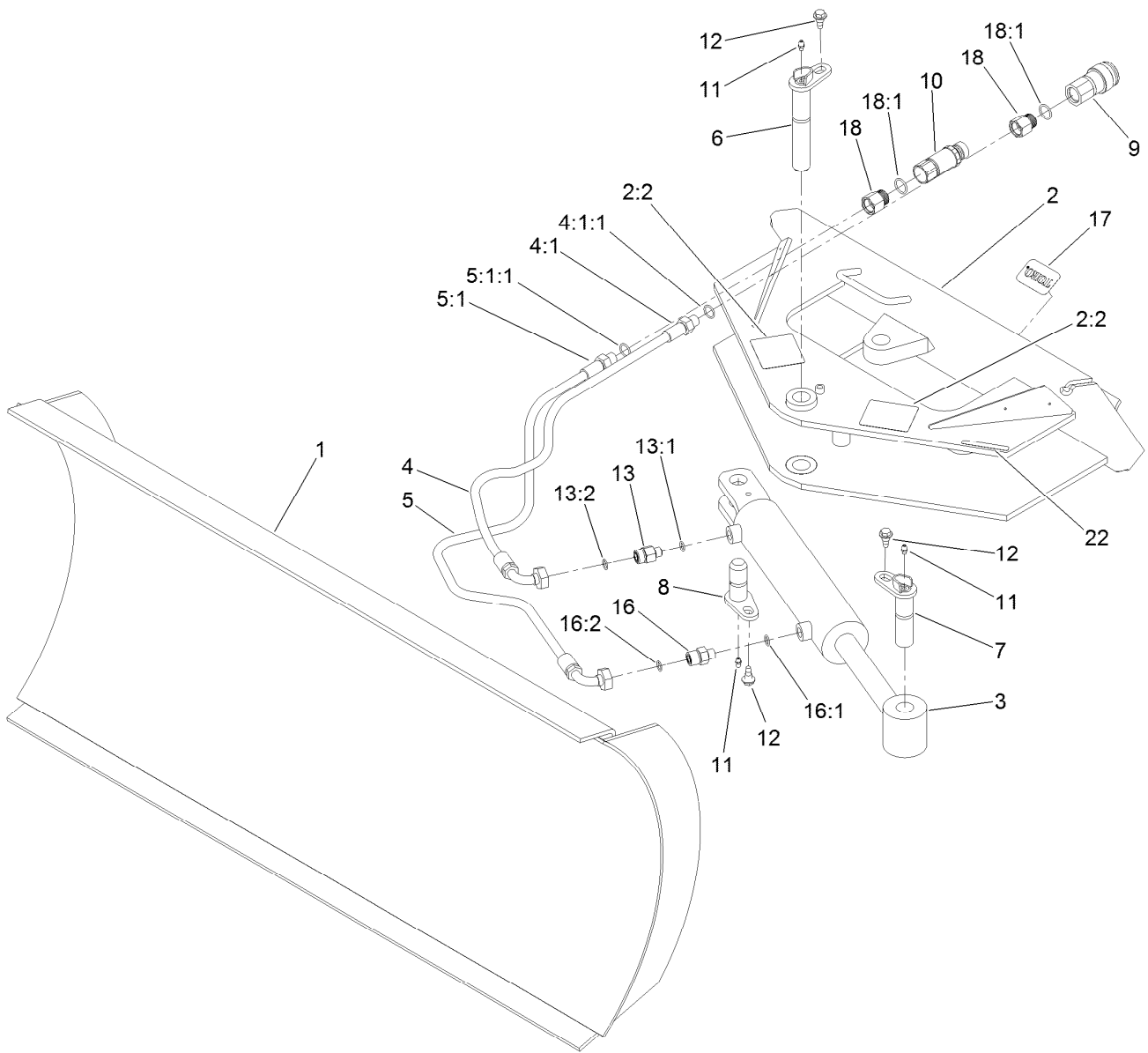
Reference Numbers Indicating Quantity

In an illustration, if a reference number indicates more than one part, the reference number has the form nX y. The n represents the quantity of the part, the X is the multiplication symbol, and the y represents the reference number.

For example, in an illustration, the reference number 2X 37 means that two of the parts identified by reference number 37 are indicated.

Contents

Hydraulic Blade Assembly 4
Hydraulic Cylinder Assembly No. 98-9942 5
Attachments and Accessories 6

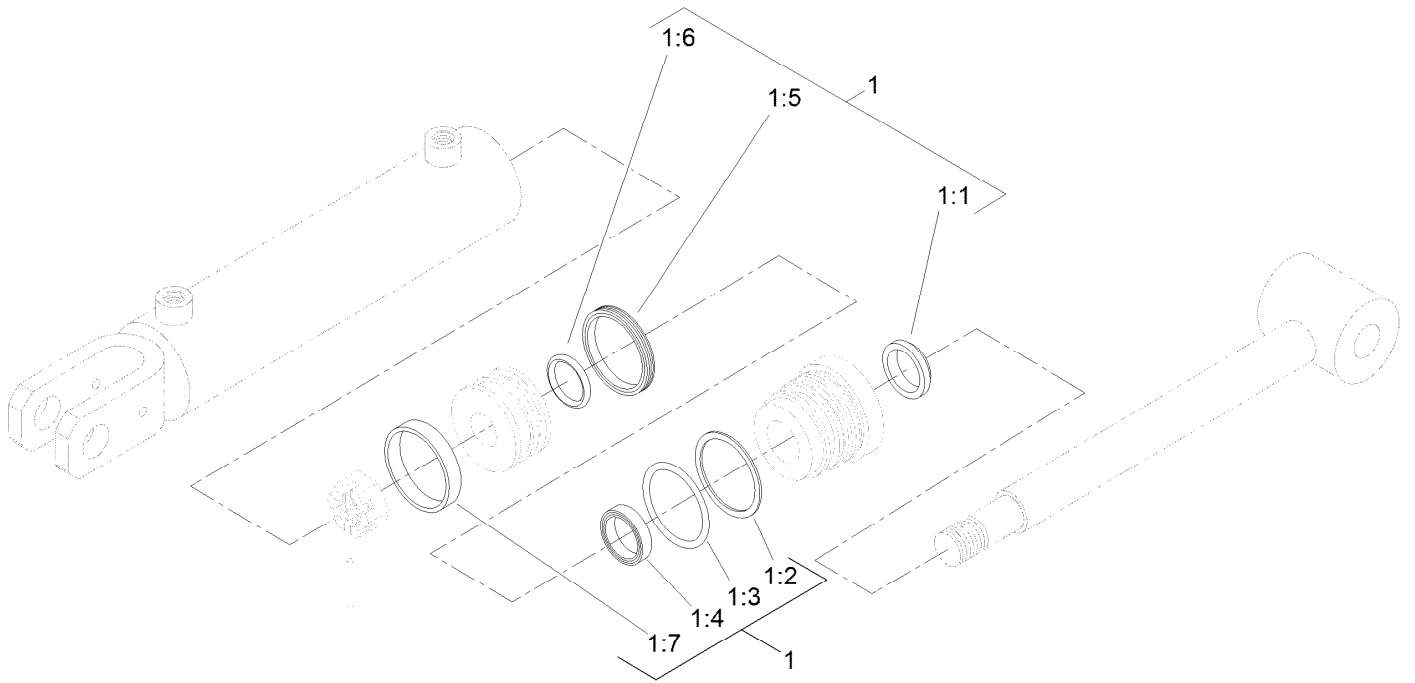


Hydraulic Blade Assembly

Ref.	Part Number	Qty.	Description	Ref.	Part Number	Qty.	Description
1	98-8240-03	1	Blade ASM	10	100-4701	1	Nipple-Connect, Pressure
2	99-4306	1	Blade Pivot ASM	10:1	100-6120	1	Seal Kit ●
2:2	100-4650	2	Decal-Warning	11	302-5	3	Fitting-Grease
3	98-9942	1	Cylinder-HYD	12	99-5105	3	Bolt-Shoulder
4	99-1651	1	HYD Hose ASM	13	340-5	1	Fitting-Straight
4:1		1	Fitting-Straight ■	13:1	237-42	1	O-Ring
4:1:1	237-79	1	O-Ring	13:2	237-30	1	O-Ring
5	99-1652	1	HYD Hose ASM	16	99-1650	1	Fitting-STR,Orif
5:1		1	Fitting-Straight ■	16:1	237-42	1	O-Ring
5:1:1	237-79	1	O-Ring	16:2	237-30	1	O-Ring
6	94-1598	1	Pin-Pivot	17	98-3206	1	Decal
7	94-9797	1	Pin-Pivot	18	100-4617	2	Adapter-HYD
8	112-2609	1	Pin-Pivot	18:1	237-80	1	O-Ring
9	104-6134	1	Coupler-Face, Flush	22	133-8061	1	Decal-Warning

● Not illustrated

■ Not serviced separately



Hydraulic Cylinder Assembly No. 98-9942

<i>Ref.</i>	<i>Part Number</i>	<i>Qty.</i>	<i>Description</i>
1	99-1352	1	Seal Kit
1:1		1	Seal-Shaft ●
1:2		1	Ring-Back Up ●
1:3		1	O-Ring ●
1:4		1	Seal ●
1:5		1	Seal ●
1:6		1	O-Ring ●
1:7		1	Wiper ●

● Not serviced separately

Attachments and Accessories

For 22414 48in Hydraulic Blade Compact Tool Carrier

Product Name

Model/Part

Coupler Kit..... 106-7695

Notes:



Count on it.