



**Wheel Horse<sup>®</sup>**  
**268-H Yard & Garden Tractor**  
**268-HE Yard & Garden Tractor**  
Model No. 72087-200000001 and Up  
Model No. 72107-200000001 and Up

## Parts Catalog

### Ordering Replacement Parts

To order replacement parts, please supply: the part number, the quantity, and the description of each part desired.

### Understanding Reference Numbers

Each identified part in an illustration has a reference number. The reference number for a part also appears in the parts list, along with other information about the part.

This catalog uses two special reference number formats, one to indicate parts in a service assembly and another to indicate the quantity of a given part in an illustration.

### Service Assembly Reference Numbers

Parts in service assemblies have reference numbers in the form **a:b**. The **a** represents the reference number of the entire service assembly and the **b** represents a sequential number unique to each part within the service assembly.

For example, a wheel assembly might be identified by reference number **6**, the tire by **6:1**, the valve by **6:2**, and the wheel by **6:3**. When you order the assembly identified by reference number **6**, you receive all parts identified by reference numbers **6:1**, **6:2**, and **6:3**. However, you may also order any part individually.

Reference numbers of this type appear in illustrations and in part lists.

### Reference Numbers Indicating Quantity

In an illustration, if a reference number indicates more than one part, the reference number has the form **nX y**. The **n** represents the quantity of the part, the **X** is the multiplication symbol, and the **y** represents the reference number.

For example, in an illustration, the reference number **2X 37** means that two of the parts identified by reference number **37** are indicated.

## Contents

Description	Page
Hood & Grill Assembly .....	3
Hydro Drive Assembly .....	4
Front Axle Assembly .....	5
Twin Cylinder Engine, Muffler & PTO Assembly .....	6
Battery Assembly .....	7
Fuel Tank Assembly .....	8
Lower Steering Assembly .....	9
Steering Wheel & Tilt Assembly .....	10
Hoodstand & Firewall Assembly .....	11
Lift Lever & HOC Assembly .....	12
Hydro Brake Assembly .....	13
Hydro Controls Assembly .....	14

Description	Page
Frame Assembly .....	15
Hydro Transaxle Assembly .....	16
Fender & Footrests Assembly .....	17
Seat Assembly .....	18
Dash Assembly .....	19
Rear Wheel Assembly .....	20
Cruise Control Assembly .....	21
Transaxle .....	22-25
Kohler Engine CV18S-PS-61528 .....	
Kohler Engine CV18S-PS-61529 .....	26-36
Wiring .....	37-39

## Accessories

Description	Model / Part No.
38" Side Discharge Mower (Model No. 72087 Only) .....	Model No. 78216
42" Side Discharge Mower (Model No. 72087 Only) .....	Model No. 78231
48" Side Discharge Mower (Model No. 72087 Only) .....	Model No. 78261
52" Side Discharge Mower (Model No. 72087 Only) .....	Model No. 78281
38" Side Discharge Mower (Model No. 72107 Only) .....	Model No. 78218
42" Side Discharge Mower (Model No. 72107 Only) .....	Model No. 78232
48" Side Discharge (Model No. 72107 Only) .....	Model No. 78268

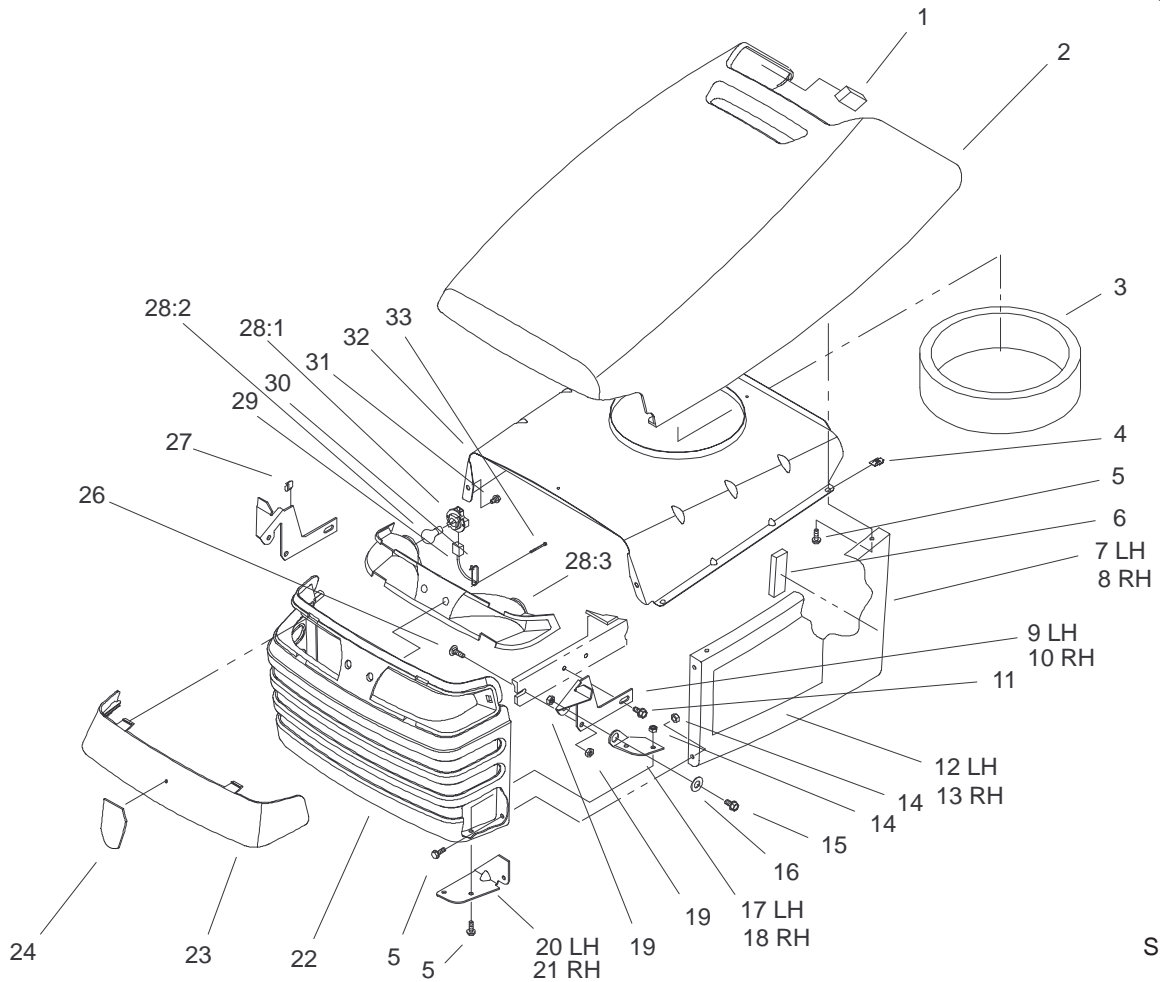
Description	Model / Part No.
11 Cubic Foot Twin Bagger (For 38" SD Mower) .....	Model No. 79202
11 Cubic Foot Twin Bagger (For 42" & 48" SD Mower) .....	Model No. 79203
36" Tiller .....	Model No. 79271
48" Dozer Blade .....	Model No. 79253
42" Snowthrower .....	Model No. 79263
38" Recycler Kit .....	Model No. 79170
Baffle Kit - 42" SD Mower .....	Model No. 85501
48" Blade Adapter .....	Part No. 92-6828
42" Snowthrower Adapter .....	Part No. 93-7625
Power Lift Kit .....	Part No. 94-5439

## Part Description Abbreviations

Part descriptions in this catalog may include the following abbreviations.

Abbreviation	Meaning
AR .....	as required
ASM .....	assembly
CARR .....	carriage
DEG .....	degrees
FH .....	flat head
GA .....	gauge
HF .....	hex flange
HH .....	hex head
HHF .....	hex head flange
HLH .....	hex lag head
HJ .....	hex jam
HOC .....	height-of-cut
HS .....	hex socket
HSBH .....	hex socket button head
HSFH .....	hex socket flat head
HSH .....	hex socket head
HWH .....	hex washer head
HWHTF .....	hex washer head thread forming

Abbreviation	Meaning
INC .....	incorporated
LH .....	left hand
NI .....	nylon insert
PPH .....	Phillips pan head
PTH .....	Phillips truss head
PTO .....	power take off
RH .....	right hand
SFH .....	slotted fillister head
SHH .....	slotted hex head
SQH .....	square head
SHWH .....	slotted hex washer head
SPH .....	slotted pan head
SRH .....	slotted round head
STD .....	standard
TAP .....	self tapping
TTH .....	Torx truss head
WH .....	wing head



Sheet No.:2

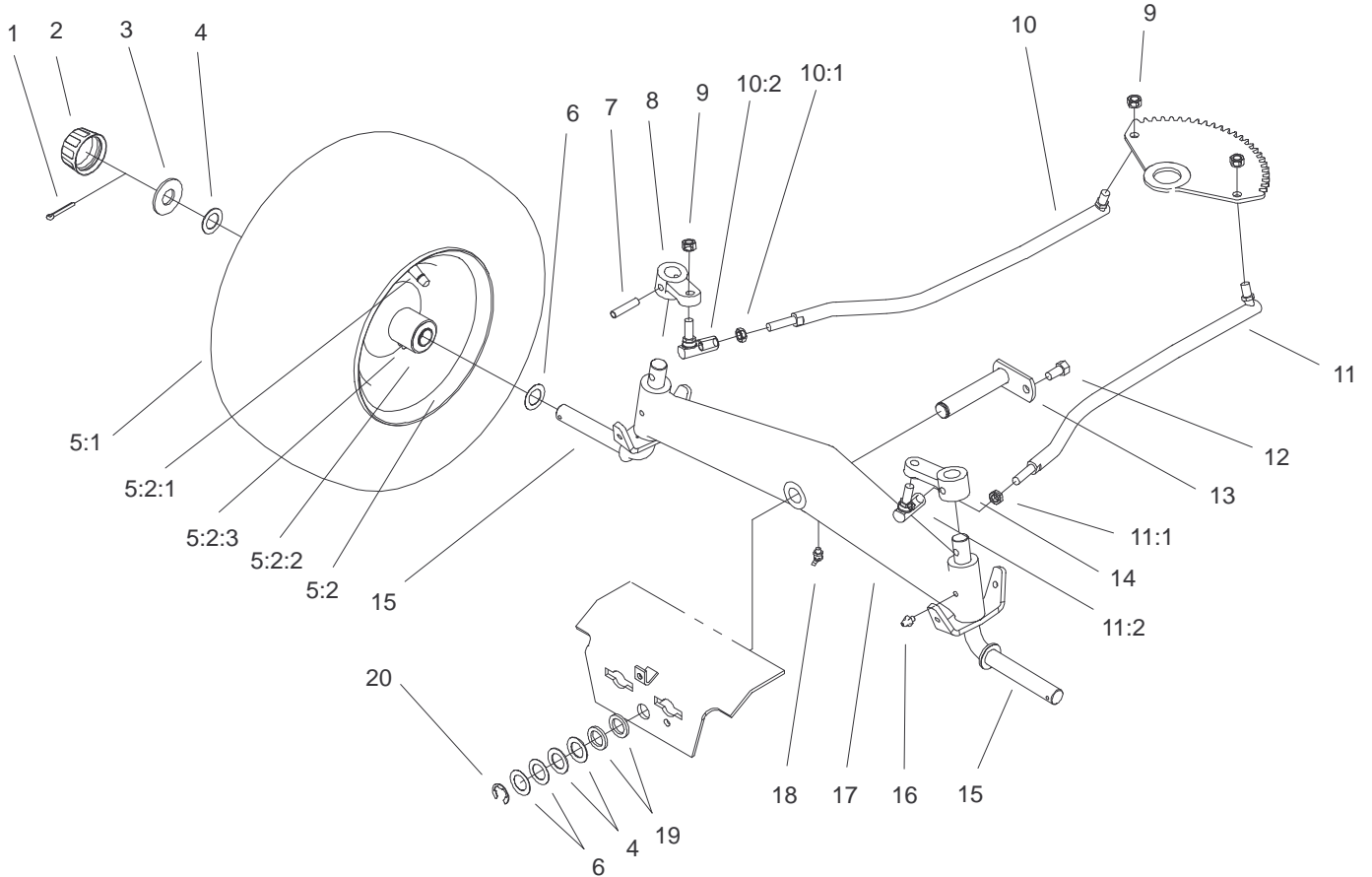
## Hood & Grill Assembly

Ref. No.	Part No.	Qty.	Description
1	94-1980	2	Foam – Hood
2	93-0490	1	Hood ASM
3	92-7076	1	Seal-Air Inlet Twin
4	92-7006	4	Nut – J Type
5	32105-15	12	Screw-Machine
6	92-7148	2	Foam – Sidepanel
7	93-0491	1	Hood-Side, LH (only on: 72107)
8	93-0492	1	Hood-Side, RH
9	92-6918-03	1	Bracket-Hinge, LH
10	92-6917-03	1	Bracket-Hinge, RH
11	32144-14	2	Screw-HWH
12	95-0801	1	Decal-Hood, LH
13	95-0800	1	Decal-Hood, RH
14	32128-10	8	Locknut-Flange
15	322-3	2	Screw-HH
16	105503	2	Bushing
17	92-6997-03	1	Hinge-Hood, LH
18	92-6996-03	1	Hinge-Hood, RH
19	3296-29	4	Nut-Lock, NI
20	92-7049-03	1	Bracket-Hood Hinge, RH
21	92-7048-03	1	Bracket-Hood Hinge, LH
22	100-6068	1	Grill
23	92-6656	1	Lens – Headlight

Ref. No.	Part No.	Qty.	Description
24	92-6987	1	Emblem-Horsehead
26	3230-1	2	Screw-CARR
27	519337	1	Clip-Cable
*	88-3970	1	Reflector & Lamp ASM
28:1	111686	2	Socket-Light
28:2	7228	2	Bulb –No. 1156
28:3	93-8741	1	Reflector
29	88-4320	1	Wire Harness-Lights
30	614249	1	Tie Strap
31	46-8093	2	Screw-Plastite
32	92-6914-03	1	Baffle-Hood Upper
33	32144-32	2	Screw

\* Not illustrated





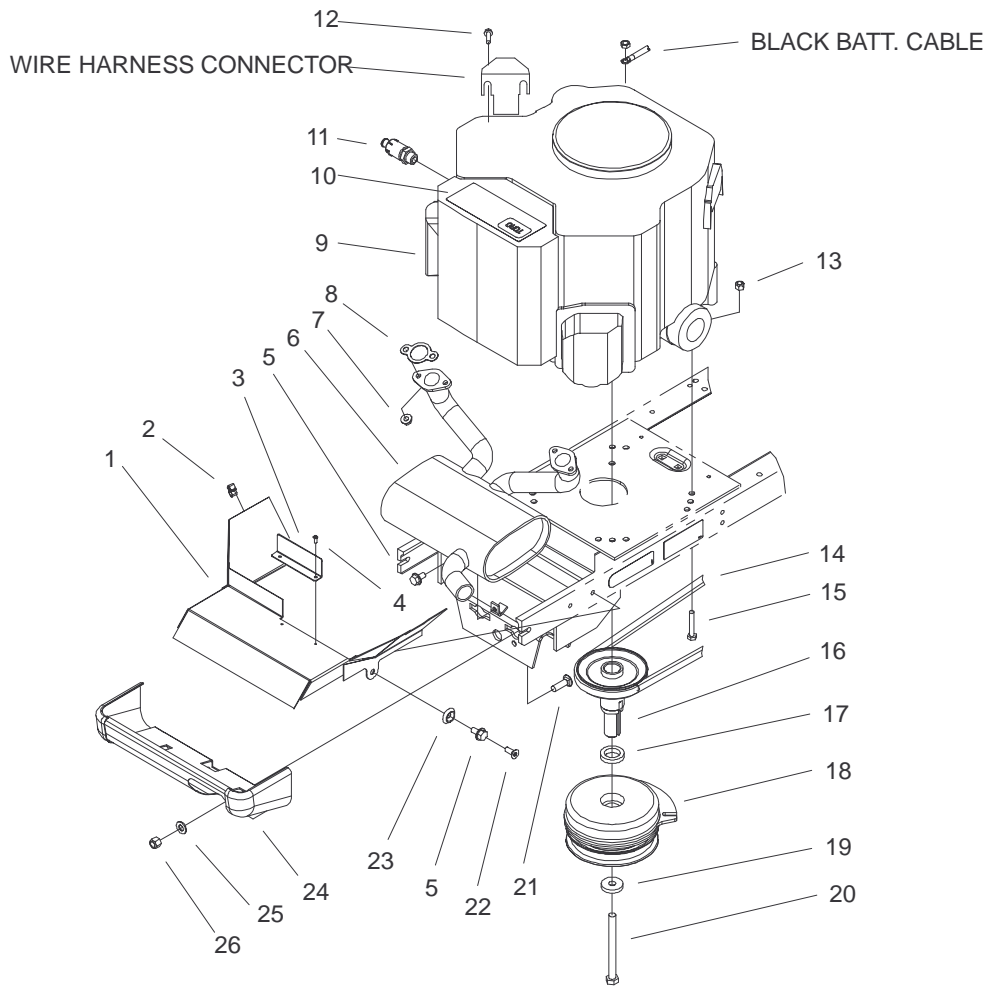
Sheet No.:4

## Front Axle Assembly

Ref. No.	Part No.	Qty.	Description
1	3272-17	2	Pin-Cotter
2	61-9780	2	Cap-Hub
3	28-2480	2	Washer
4	1278	4	Washer
5:1	99-2336	1	Tire
5:2	93-9801	1	Wheel ASM
5:2:1	5108	1	Valve-Tubeless Tire
5:2:2	110513	2	Bearing-Wheel
5:2:3	109500	1	Zerk-Grease
*	105293	1	Tube
6	5210	4	Washer-Shim
7	933270	2	Pin
8	78-1950-01	1	Arm-Front Spindle
9	9150026	4	Nut-Eslok
10	92-6883	1	Linkage-Steering, RH
10:1	9150854	1	Jam Nut
10:2	78-2920	1	Ball-Joint
11	92-6884	1	Linkage-Steering, LH
11:1	9150854	1	Jam Nut
11:2	78-2920	1	Ball-Joint
12	9267154	1	Screw
13	92-7057-03	1	Pin-Axle
14	78-1940-01	1	Arm-Front Spindle
15	78-2601-01	2	Spindle
16	302-5	2	Fitting-Lube
17	78-7960-01	1	Axle-Front

Ref. No.	Part No.	Qty.	Description
18	302-11	1	Fitting-Lube, 45°
19	9202324	2	Washer
20	5618	1	E-Ring

\* Not illustrated



Sheet No.:5

## Twin Cylinder Engine, Muffler & PTO Assembly

Ref. No.	Part No.	Qty.	Description
1	94-6950-03	1	Shield-Muffler, Twin
2	702366	1	Clip-Wire Retainer
3	99-6764-03	1	Guard-Throttle (only on: 72107)
4	100-1320	2	Screw-Panhead Torx (only on: 72107)
5	32144-14	3	Screw-HWH (only on: 72087)
5	32144-14	1	Screw-HWH (only on: 72107)
6	100-3543	1	Muffler-Twin
7	92-6780	4	Nut-Hex Flange
8	93-0350	2	Gasket - Exhaust
9	94-3332	1	Engine - Kohler 18 Int'l (only on: 72107)
9	94-3331	1	Engine - Kohler 18 (only on: 72087)
10	93-0535	1	Decal - Engine
11	92-6877	1	Valve - Oil Drain
12	32144-118	2	Screw-PPH
13	3296-29	4	Nut-Lock, NI
14	100-3469	1	V-Belt, Hydro
15	322-9	4	Screw-HH
16	92-6888	1	Pulley-Engine (Hydro)
17	100-1340	1	Spacer-Cluth

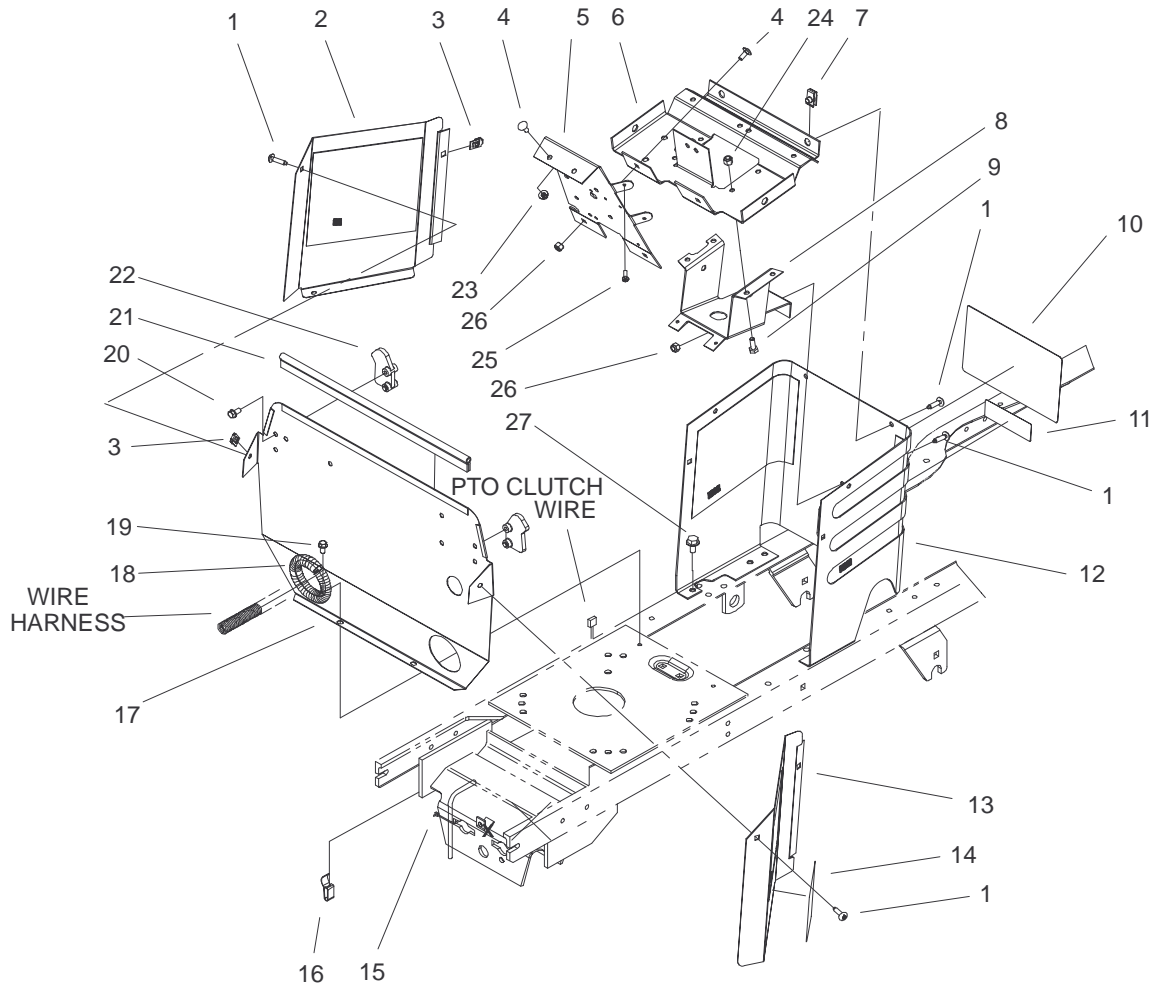
Ref. No.	Part No.	Qty.	Description
18	100-6060	1	Clutch-Elec PTO (only on: 72107)
18	100-6059	1	Clutch-PTO (only on: 72087)
19	112843	1	Washer
20	9114466	1	Screw-HH
21	3231-25	2	Screw-CARR
22	100-1325	2	Screw-Countersunk Torx (only on: 72107)
23	100-1326	2	Washer-Countersunk (only on: 72107)
24	100-3541-01	1	Muffler Shield ASM, Welded
25	3256-24	2	Washer-Flat
26	3296-39	2	Nut-Lock, NI









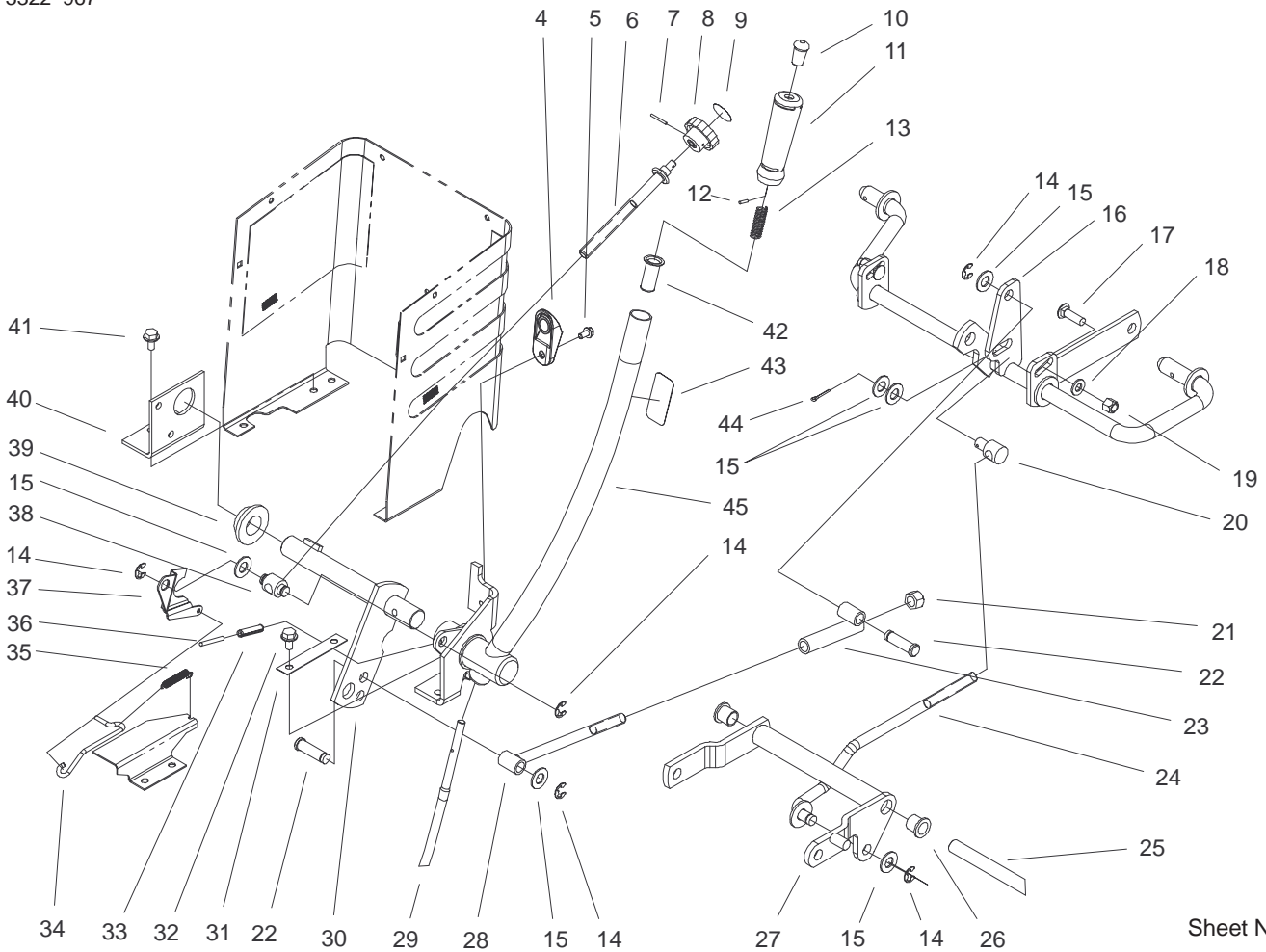


Sheet No.:10

## Hoodstand & Firewall Assembly

Ref. No.	Part No.	Qty.	Description
1	92-7020	9	Screw-HH
2	92-6937-03	1	Cover-RH Side Wa
3	92-7006	4	Nut - J Type
4	3229-11	4	Screw-CARR
5	100-6064-03	1	Panel-Support, Dash
6	92-6859-03	1	Support - Dash
7	107069	4	Clip
8	92-6778-03	1	Brkt - Lower Column
9	321-4	4	Screw-HH
10	93-0302	1	Decal - Danger (only on: 72087)
10	93-7313	1	Decal-Slope/Hydro-nt'l (only on: 72107)
11	83-6620	1	Decal - Instruction
12	100-6070	1	Hoodstand w/Decals (only on: 72087)
12	100-6071	1	Hoodstand w/Decals (only on: 72107)
13	92-6936-03	1	Cover-LH Side Wa
14	99-8085	2	Decal - 268 Hydro
15	614249	1	Tie Strap
16	212-93	1	Casing Clamp
17	94-1749-03	1	Firewall
18	24-7924	2	Drive Shaft Cover
19	32144-4	2	Screw-HH
20	46-8093	2	Screw-Plastite

Ref. No.	Part No.	Qty.	Description
21	93-1131	1	Trim-Seal Firewall
22	92-6960	2	Latch - Hood
23	32149-2	2	Nut-Keps
24	3296-8	4	Nut-Lock NI
25	32144-8	2	Screw-HH
26	3296-42	3	Nut-Lock
27	32144-14	2	Screw-HWH

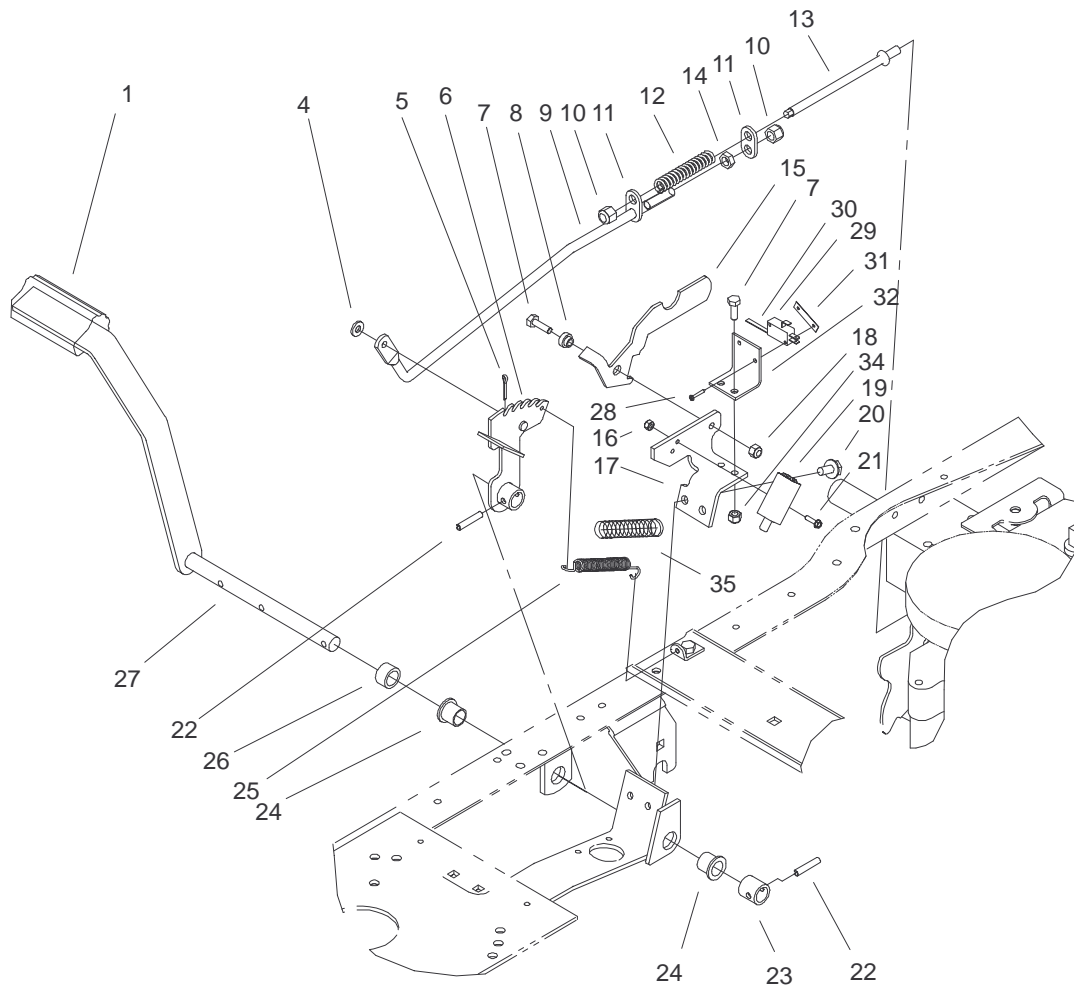


Sheet No.:11

## Lift Lever & HOC Assembly

Ref. No.	Part No.	Qty.	Description
4	92-6794	1	Wedge – HOC
5	32144-4	1	Screw-HH
6	92-6965	1	Rod – HOC
7	933141	1	Pin-Spirol
8	115593	1	Knob
9	78-9740	1	Decal-Height Knob
10	92-6711	1	Tip – Rod
11	92-6710	1	Grip – Handle
12	933148	1	Spirol Pin
13	3624	1	Spring-Compression
14	32120-47	5	Ring-Retaining, Ext
15	3256-26	6	Washer-Flat
16	79-3401-03	1	Shaft-Gage
17	3231-25	2	Screw-CARR
18	3256-24	2	Washer-Flat
19	3296-39	2	Nut-Lock, NI
20	8870	1	Rod-Trunnion Lift
21	3296-23	1	Nut-Lock, NI
22	79-1250	2	Pin
23	78-7390	1	Tube
24	78-2431	1	Rod
25	94-4944	1	Shaft – Pedal Pivot
26	256-90	2	Bushing-Flange
27	92-6855-03	1	Arm-Pivot
28	78-7360	1	Wldmt-Rod
29	92-6977-03	1	Rod – Lift Lever

Ref. No.	Part No.	Qty.	Description
30	94-3552-03	1	Shaft-Lift
31	78-6810-03	1	Plate
32	32144-14	2	Screw-HWH
33	32121-25	1	Pin-Roll
34	92-6978	1	Rod – HOC Indicator
35	92-7007	1	Spring – Extension
36	32121-103	1	Pin-Spring
37	92-6979	1	Plate – HOC Gage
38	78-2140	1	Trunnion
39	106269	1	Bearing-Flange
40	93-0523-03	1	Brkt-Pivot Linkage
41	32144-14	2	Screw-HWH
42	8130	1	Retainer-Spring
43	112168	1	Decal-Lift (only on: 72087)
43	93-7323	1	Decal – Lift Int'l (only on: 72107)
44	3272-6	1	Pin-Cotter
45	94-3761-03	1	Wa- Lift Lever

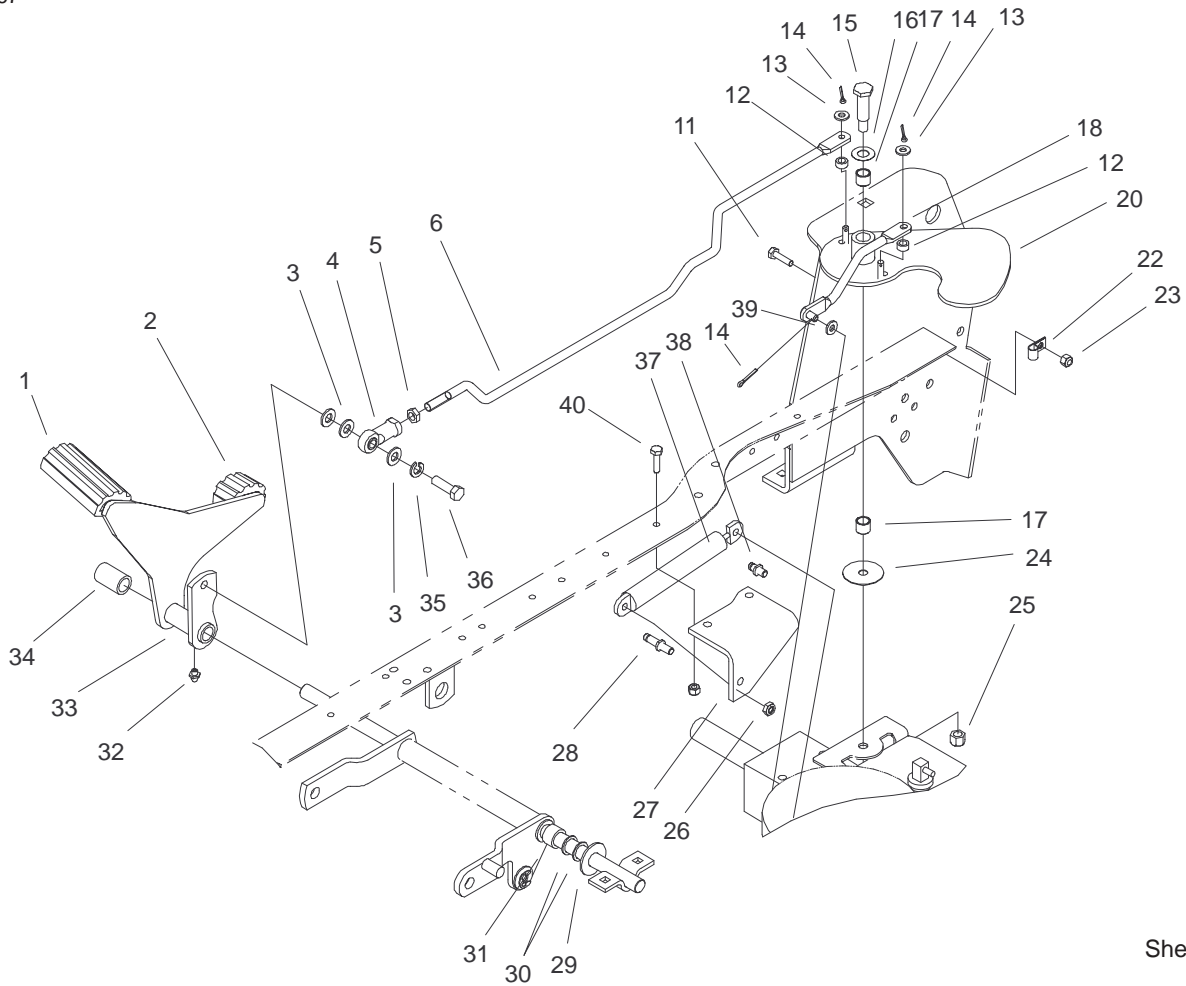


Sheet No.:12

## Hydro Brake Assembly

Ref. No.	Part No.	Qty.	Description
1	65-2920	1	Pad-Pedal
4	3256-22	1	Washer-Flat
5	3272-6	1	Pin-Cotter
6	100-3456	1	Brake ASM, Welded
7	321-5	3	Screw-HH
8	78-3260	1	Spacer-Shoulder-.20
9	100-3457	1	Rod-Brake
10	3296-5	2	Nut-Lock, NI
11	100-8710	2	Guide, Brake Rod
12	38-4520	1	Spring
13	100-8709	1	Rod, Brake Adjustment
14	3220-3	1	Nut-Jam
15	100-3453-03	1	Catch-Parking Brake
16	3296-1	2	Nut-Lock NI
17	100-3454-03	1	Support-Parking Brake
18	3296-42	1	Nut-Lock
19	86-4690	1	Interlock Switch
20	32144-14	2	Screw-HWH
21	3290-392	2	Screw - Hex Head Slot
22	32121-69	2	Pin - Spring
23	100-8733	1	Tube-Plated
24	256-90	2	Bushing-Flange
25	93-0540	1	Spring - Extension

Ref. No.	Part No.	Qty.	Description
26	92-6982	1	Spacer - Brake
27	100-3476-03	1	Brake Pedal W.a.
28	147665	2	Screw-HH
29	88-9930	1	Switch-Micro
30	93-3240	1	Plunger-Seal
31	3290-354	1	Nut-Speed
32	100-8724-03	1	Bracket-Switch
34	3296-42	2	Nut-Lock (only on: 72087)
34	3296-42	2	Nut-Lock (only on: 72107)
35	94-1743	1	Tubing - Conduit

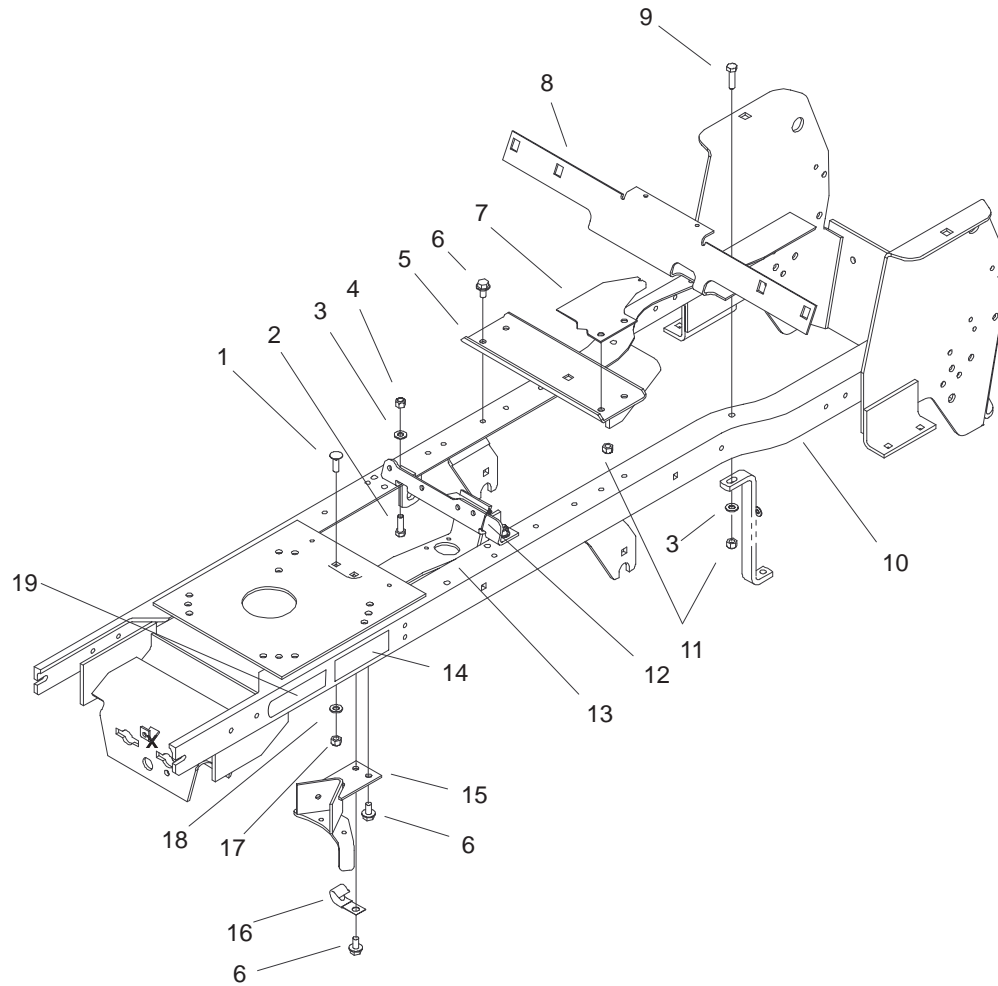


Sheet No.:13

## Hydro Controls Assembly

Ref. No.	Part No.	Qty.	Description
1	92-6902	1	Pedal Pad
2	92-6903	1	Pedal Pad
3	3256-24	2	Washer-Flat
4	92-7008	1	Rod End - Female
5	3220-3	1	Nut-Jam
6	100-3450	1	Rod-Hydro
11	321-4	1	Screw-HH
12	92-6998	2	Spacer - Yoke, Right
13	3256-22	2	Washer-Flat
14	3272-6	3	Pin-Cotter
15	23-0310	1	Shoulder Bolt
16	98-3087	1	Washer - Power Steering
17	256-1	2	1/2id X 1/2lg Bushing
18	100-3468	1	Bell Crank Rod-W.a.
20	100-3451	1	Cruise Plate W.a.
22	2412-89	1	Clamp-R
23	3296-42	1	Nut-Lock
24	94-7575	1	Spacer - Cruise
25	3296-59	1	Nut-Lock, NI
26	3296-20	2	Nut-Lock NI
27	100-3460-03	1	Bracket-Gas Damper
28	100-6057	1	Pin-Damper Bracket
29	94-6875	1	Washer
30	9202154	2	Washer
31	94-4945	1	Spacer

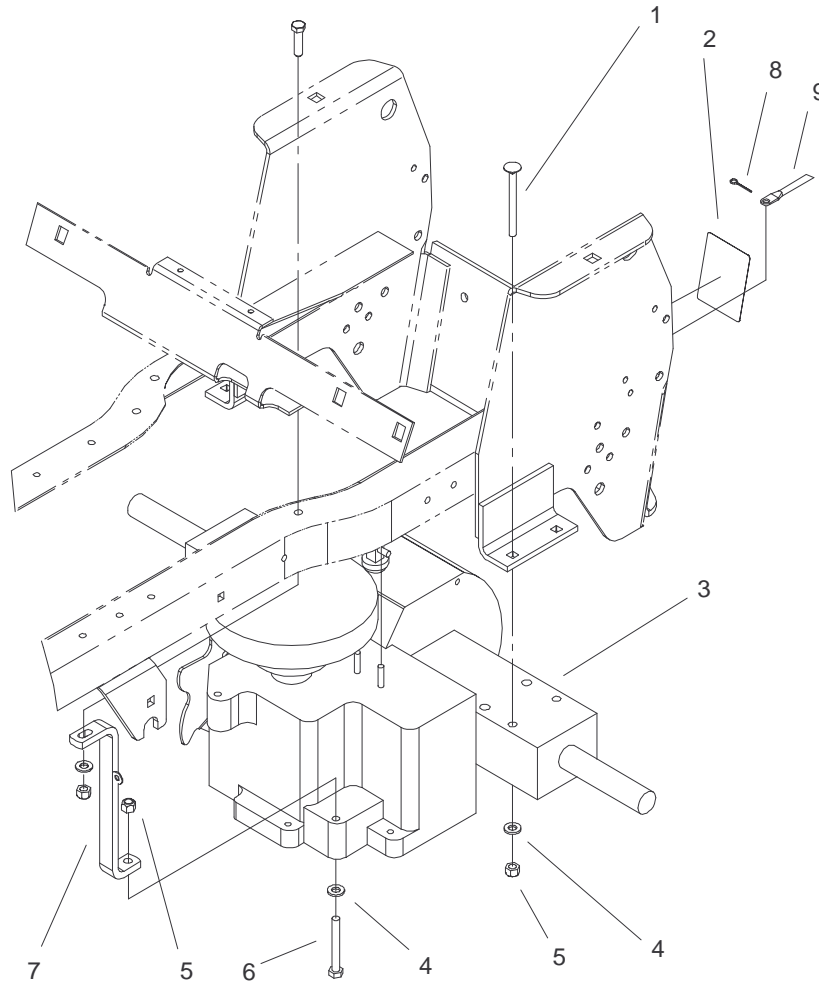
Ref. No.	Part No.	Qty.	Description
32	302-26	1	Zerk
33	100-6062-03	1	Hydro Pedal ASM, Welded
34	92-6966	1	Spacer
35	3253-5	1	Washer-Lock/Sp
36	323-7	1	Screw-HH
37	100-8732	1	Damper-Gas
38	100-6056	1	Pin-Damper, Control Arm
39	3256-23	1	Washer-Flat
40	32144-70	1	Screw-HH



Sheet No.:14

### Frame Assembly

Ref. No.	Part No.	Qty.	Description	Ref. No.	Part No.	Qty.	Description
1	3230-2	2	Screw-CARR				
2	322-5	2	Screw-HH				
3	3256-23	3	Washer-Flat				
4	3296-29	2	Nut-Lock, NI				
5	92-6868-03	1	Brkt-Idler Plate				
6	32144-14	6	Screw-HWH				
7	92-6964-03	1	Bracket-HOC Gage				
8	100-1341-03	1	Fender-Support				
9	322-6	2	Screw-HH				
10	100-1345-03	1	Frame W.a.				
11	3296-29	2	Nut-Lock, NI				
12	614249	1	Tie Strap				
13	100-3522-03	1	Steering Bracket W.a.				
14	93-7324	2	Decal - Belt Instr. (only on: 72107)				
15	100-3526-03	1	PTO Stop ASM, Welded				
16	8830	1	Clip				
17	3296-29	2	Nut-Lock, NI				
18	3256-23	2	Washer-Flat				
19	92-8747	2	Decal Attach-A-Matic				

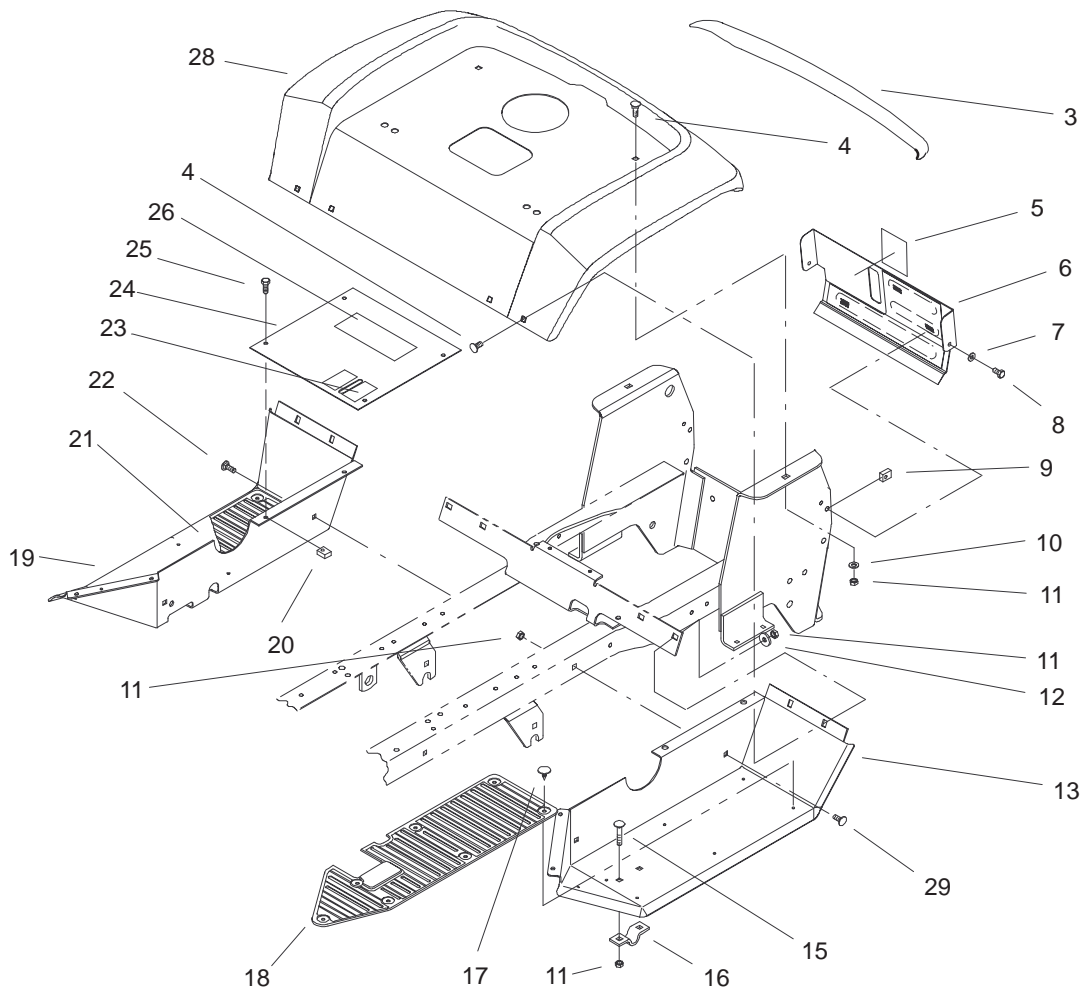


Sheet No.:15

### Hydro Transaxle Assembly

Ref. No.	Part No.	Qty.	Description
1	3230-11	4	Screw-CARR
2	92-6726	1	Decal - Hydro Valve (only on: 72087)
2	92-7090	1	Decal - Bypass Valve (only on: 72107)
3	100-3479	1	Transaxle-Hydro
4	3256-23	5	Washer-Flat
5	3296-29	6	Nut-Lock, NI
6	322-11	1	Screw-HH
7	100-7536-03	1	Torque Strap ASM, Welded
8	3272-2	1	Pin-Cotter
9	100-3458	1	Rod-Bypass

Ref. No.	Part No.	Qty.	Description

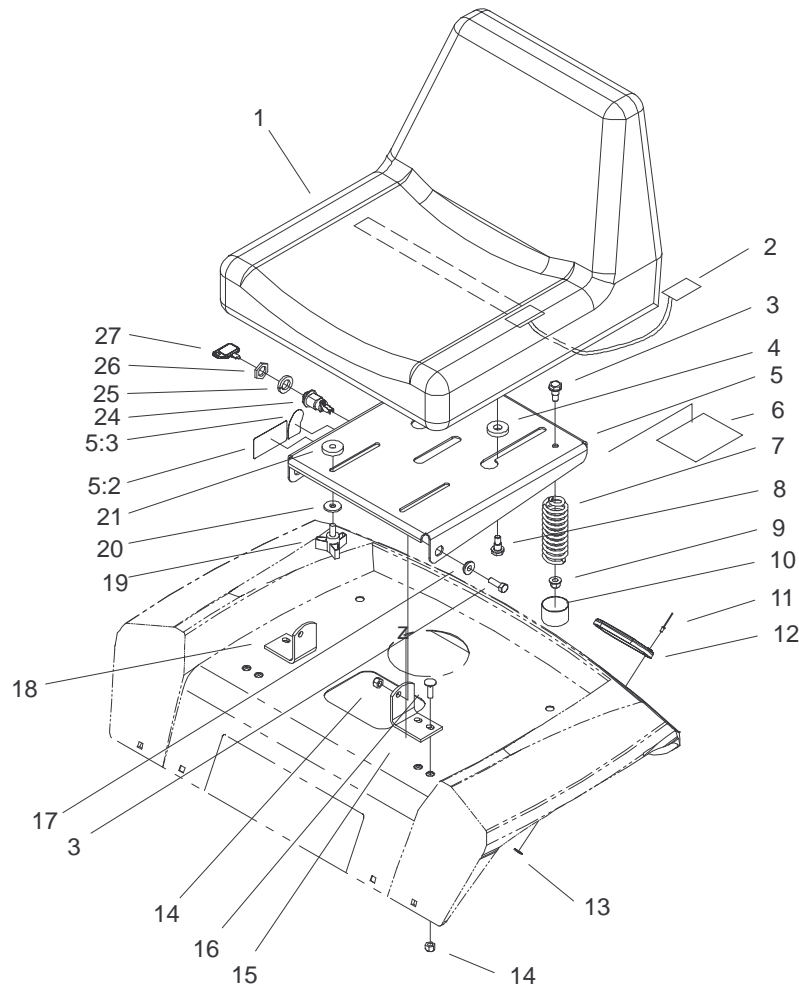


Sheet No.:17

## Fender & Footrests Assembly

Ref. No.	Part No.	Qty.	Description
3	95-0802	1	Decal – Rear Fender
4	3230-31	6	Screw– Carriage
5	92-6727	1	Decal – Fuel Level
6	99-6765-03	1	Rear Panel ASM
7	3256-22	2	Washer–Flat
8	321-4	2	Screw–HH
9	609900	2	Nut–Speed
10	3256-23	2	Washer–Flat
11	3296-29	14	Nut–Lock, NI
12	94-2869	4	Washer
13	92-6746-01	1	LH Footrest (Hydro)
15	3230-1	4	Screw–CARR
16	106288	2	Clamp
17	3290-479	14	Fastener–Panel
18	92-6688	1	LH Foot Mat (Hydro)
19	92-6747-01	1	RH Footrest (Hydro)
20	107069	4	Clip
21	92-6687	1	RH Foot Mat (Hydro)
22	3230-23	3	Screw–CARR
23	92-6725	1	Decal – HOC (only on: 72087)
23	92-7092	1	Decal – HOC Int'l (only on: 72107)
24	94-4243	1	Plate – Footrest w/Decals (only on: 72107)

Ref. No.	Part No.	Qty.	Description
24	93-0489-01	1	Plt – Frest w/Decal (only on: 72087)
25	92-7020	4	Screw–HH
26	92-8946	1	Decal – Danger (only on: 72087)
26	93-7314	1	Decal – Danger (only on: 72107)
28	92-6795-01	1	Fender
29	3230-23	1	Screw–CARR

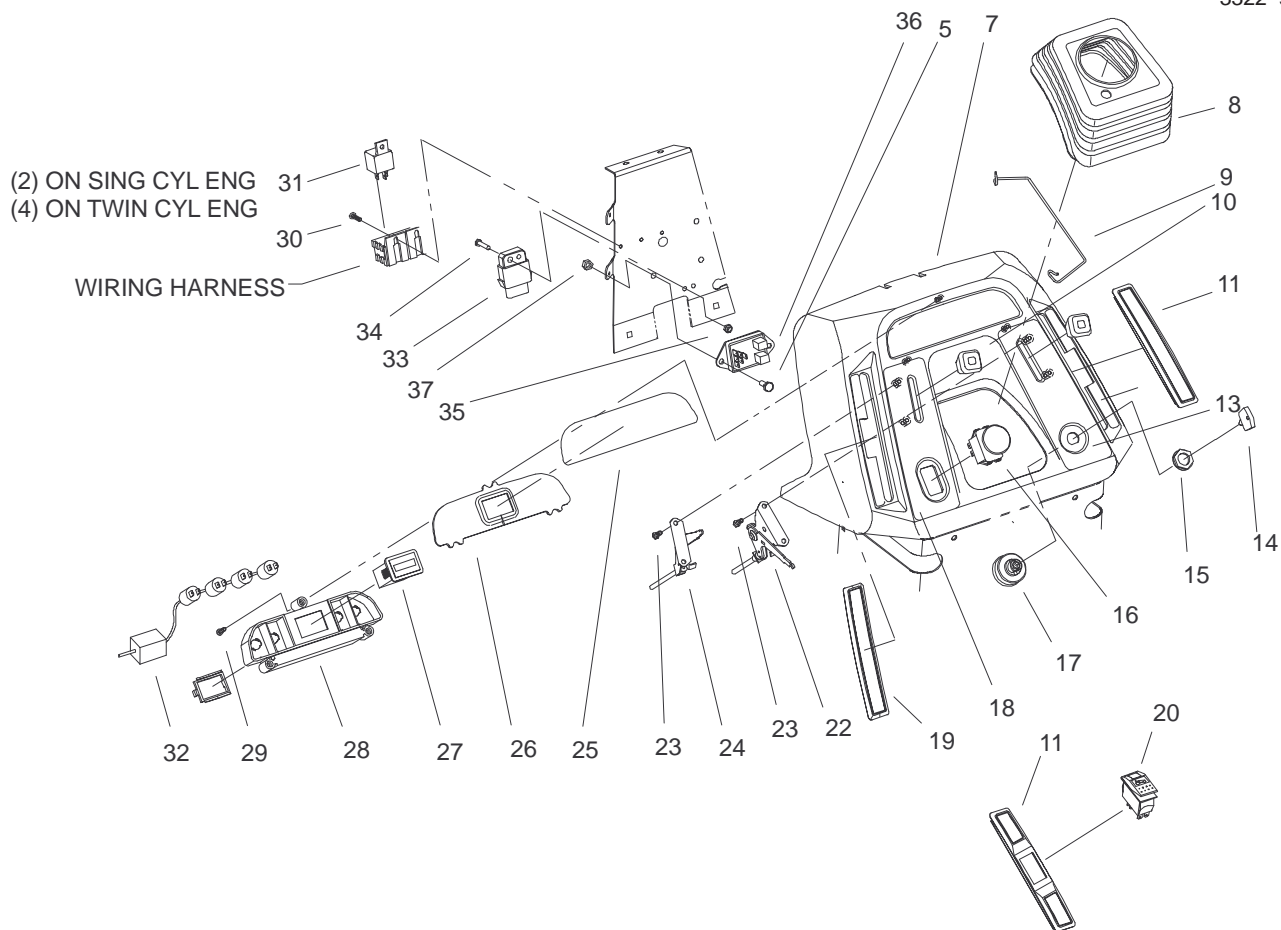


Sheet No.:18

## Seat Assembly

Ref. No.	Part No.	Qty.	Description
1	92-6511	1	Seat V-511
2	38-1420	1	Switch-Seat
3	322-5	4	Screw-HH
4	92-6750	2	Spacer - Nylon
5	99-8031	1	Support-Seat (only on: 72087)
5	99-8030	1	Support-Seat, He ASM (only on: 72107)
5:2	99-2985	1	Decal-Danger (only on: 72087)
5:2	99-2986	1	Decal-Danger Intl (only on: 72107)
5:3	99-5340	1	Decal-Nmir Switch Intl (only on: 72107)
5:3	99-5339	1	Decal-Nmir Switch (only on: 72087)
6	114621	1	Decal-Europe, Noise (only on: 72107)
7	92-7054	2	Spring - Compression
8	92-6986	2	Bolt - Shoulder
9	3296-58	2	Nut-Lock NI
10	701178	2	Cap-Protector
11	3290-282	4	Rivet-Pop, Steel
12	106557	2	Reflector-Stick On
13	3256-49	4	Washer-Flat
14	3296-29	6	Nut-Lock, NI

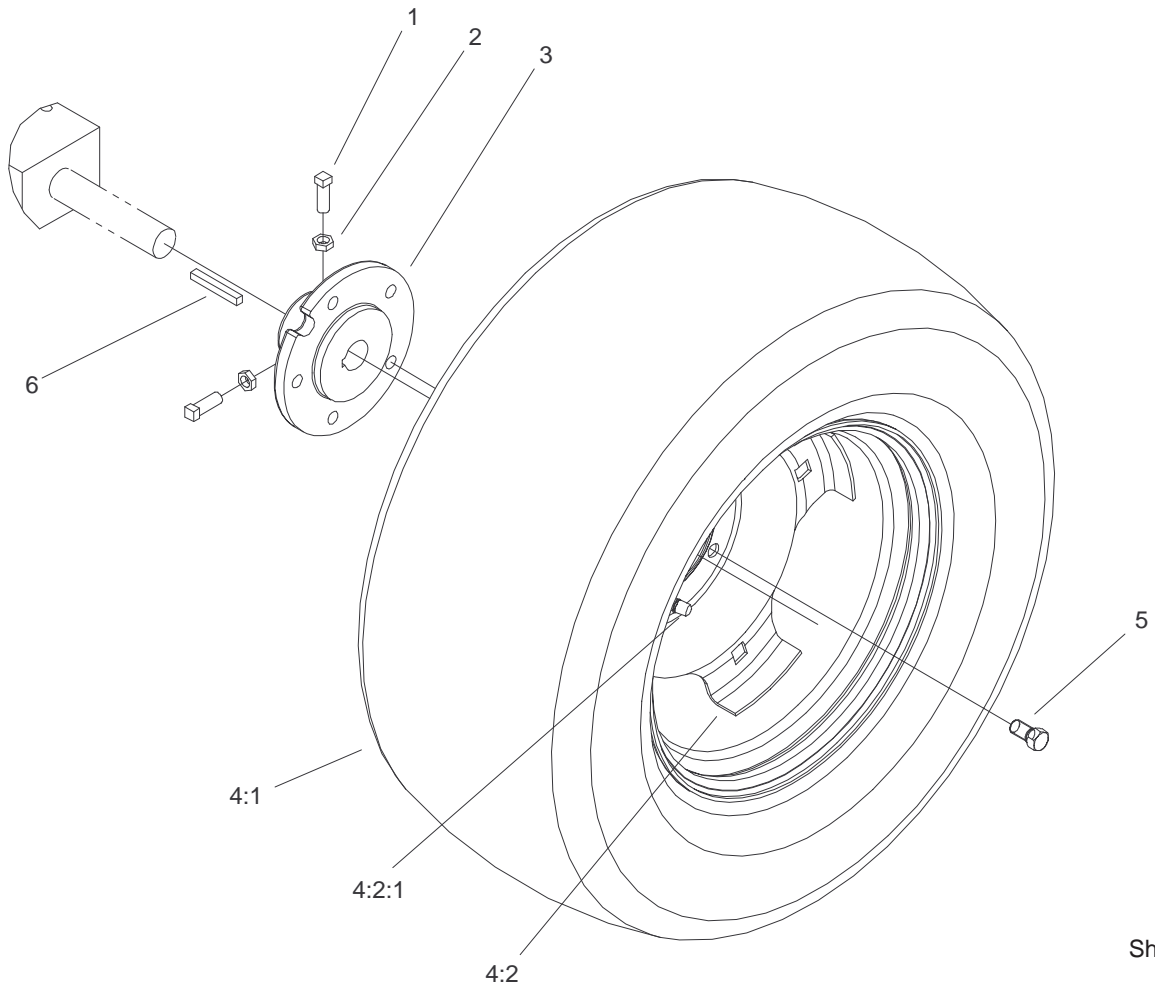
Ref. No.	Part No.	Qty.	Description
15	79-0950-03	1	Brkt-Pivot R.h.
16	3230-2	4	Screw-CARR
17	105503	2	Bushing
18	79-0970-03	1	Brkt-Pivot L.h.
19	700806	2	Knob
20	94-2869	2	Washer
21	109989	2	Spacer - Nylon
24	46-5780	1	Switch-Starter
25	3254-5	1	Washer-Lock/Intl
26	218-461	1	Nut-HH
27	62-7770	1	Key-Ignition



## Dash Assembly

Ref. No.	Part No.	Qty.	Description
5	321-4	2	Screw-HH
7	94-1894	1	Dash
8	92-6680	1	Steering Boot
9	94-2966	1	Clip - Boot
10	66-0120	2	Knob
11	93-0516	1	Cover - RH Slot (only on: 72087)
11	93-0533	1	Cover - RH Slot (only on: 72107)
13	92-6721	1	Decal - Throttle/Ign (only on: 72087)
13	93-7255	1	Decal - Dash Throt/Ign (only on: 72107)
14	62-7770	1	Key-Ignition
15	700919	1	Nut
16	93-9998	1	Switch - PTO Toro
17	92-6785	1	Switch - Ignition
18	92-6720	1	Decal - PTO/Choke (only on: 72087)
18	93-7256	1	Decal - Dash PTO/Choke (only on: 72107)
19	92-6797	1	Cover - Slot LH
20	93-0527	1	Switch - Cruise
22	92-6784	1	Control-Throttle Twin

Ref. No.	Part No.	Qty.	Description
23	32144-32	4	Screw
24	92-6783	1	Control - Choke Twin
25	99-8036	1	Decal - Dash Lens
26	92-6705	1	Lens - Dash Hm
27	94-4208	1	Hourmeter
28	92-6732	1	Hsg - Indicator Light
29	94-6961	3	Screw
30	32144-8	2	Screw-HH
31	98-7249	4	Relay-Speedometer
32	99-8068	1	Harness-4 Lamp
33	99-1933	1	Module-Low Voltage
34	32105-12	2	Screw
35	3296-2	2	Nut-Lock
36	99-3701	1	Module-Nmir, Clutch
37	3296-42	2	Nut-Lock



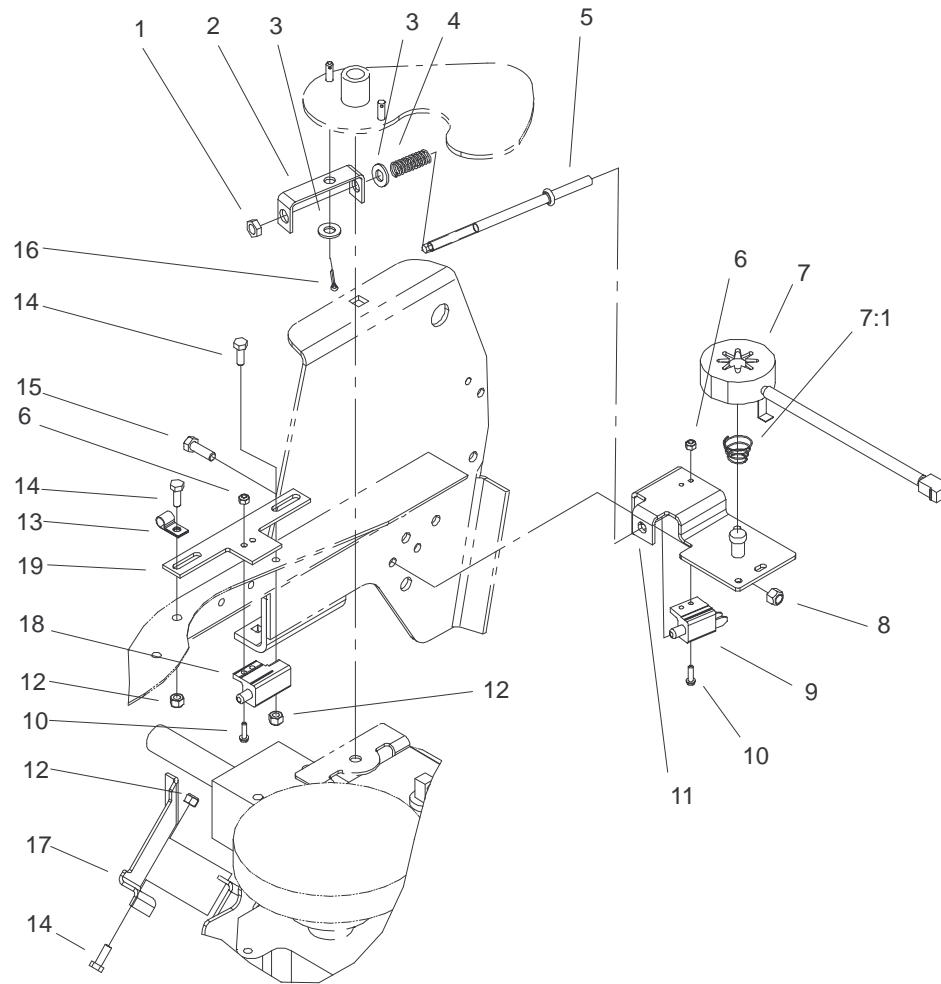
Sheet No.:24

## Rear Wheel Assembly

Ref. No.	Part No.	Qty.	Description
1	3243-5	4	Screw-Set
2	3218-3	4	Nut-Jam
3	93-3659-03	2	Hub-Wheel
4:1	99-2334	1	Tire
4:2	78-1221	1	Wheel
4:2:1	5108	1	Valve-Tubeless Tire
*	7007	1	Tube-Inner
5	83-2720	10	Lug-Bolt
6	5-1336	2	Key

Ref. No.	Part No.	Qty.	Description

\* Not illustrated

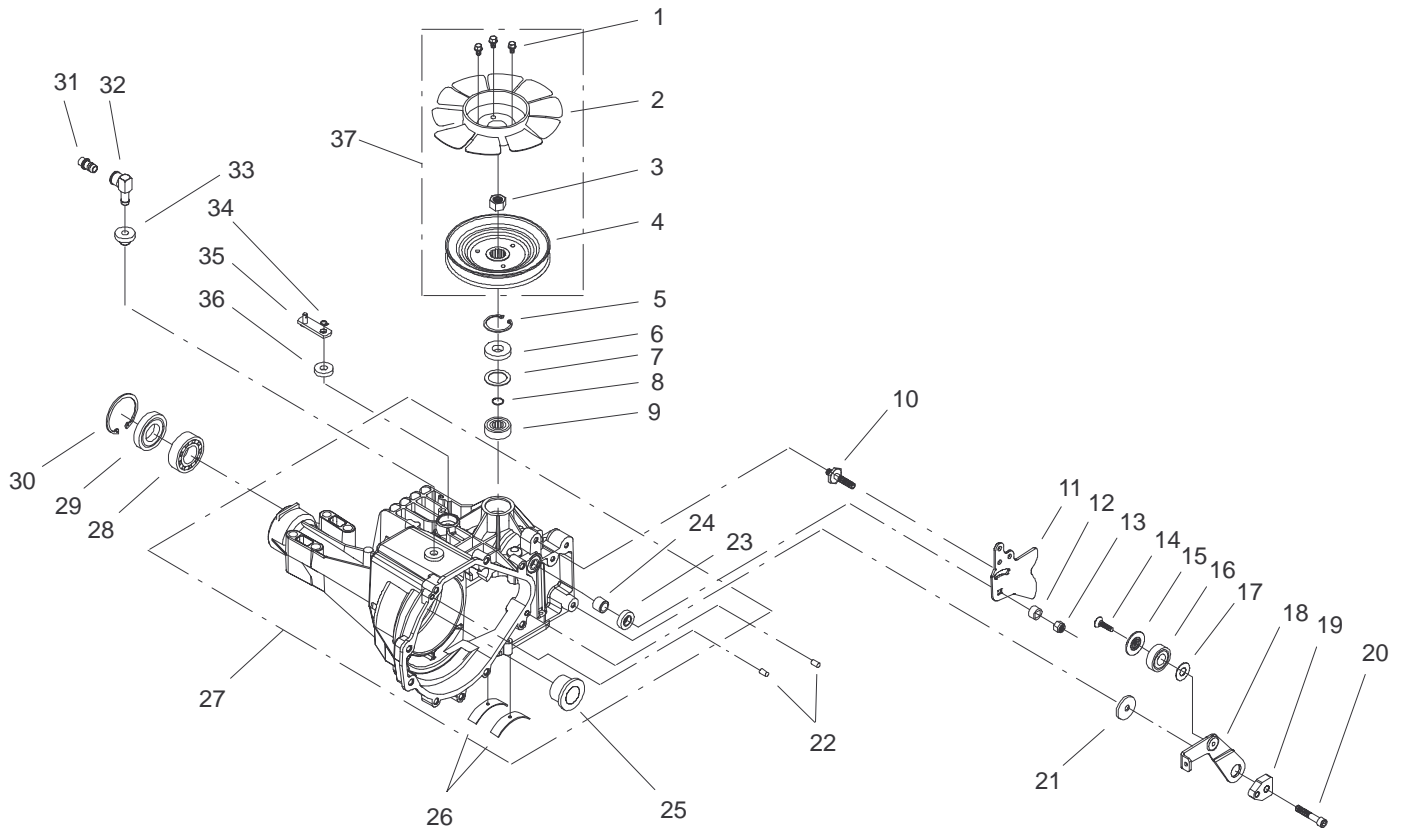


Sheet No.:25

## Cruise Control Assembly

Ref. No.	Part No.	Qty.	Description
1	3296-5	1	Nut-Lock, NI
2	100-6055-03	1	Bracket, Nmir
3	3256-24	2	Washer-Flat
4	38-2340	1	Comp Spring
5	100-1348	1	Rod-Nmir
6	3296-1	4	Nut-Lock NI
7	99-8090	1	Magnet ASM
7:1	93-6601	1	Spring - Compression
8	3296-29	2	Nut-Lock, NI
9	95-1653	1	Switch - Single Pole
10	3290-392	4	Screw - Hex Head Slot
11	100-3452-03	1	Cruise Bracket W.a.
12	3296-42	3	Nut-Lock
13	2412-89	1	Clamp-R
14	321-4	3	Screw-HH
15	322-5	2	Screw-HH
16	3272-6	1	Pin-Cotter
17	100-8722-03	1	Arm
18	100-8725	1	Switch-Double Pole No
19	100-8723-03	1	Plate-switch

Ref. No.	Part No.	Qty.	Description

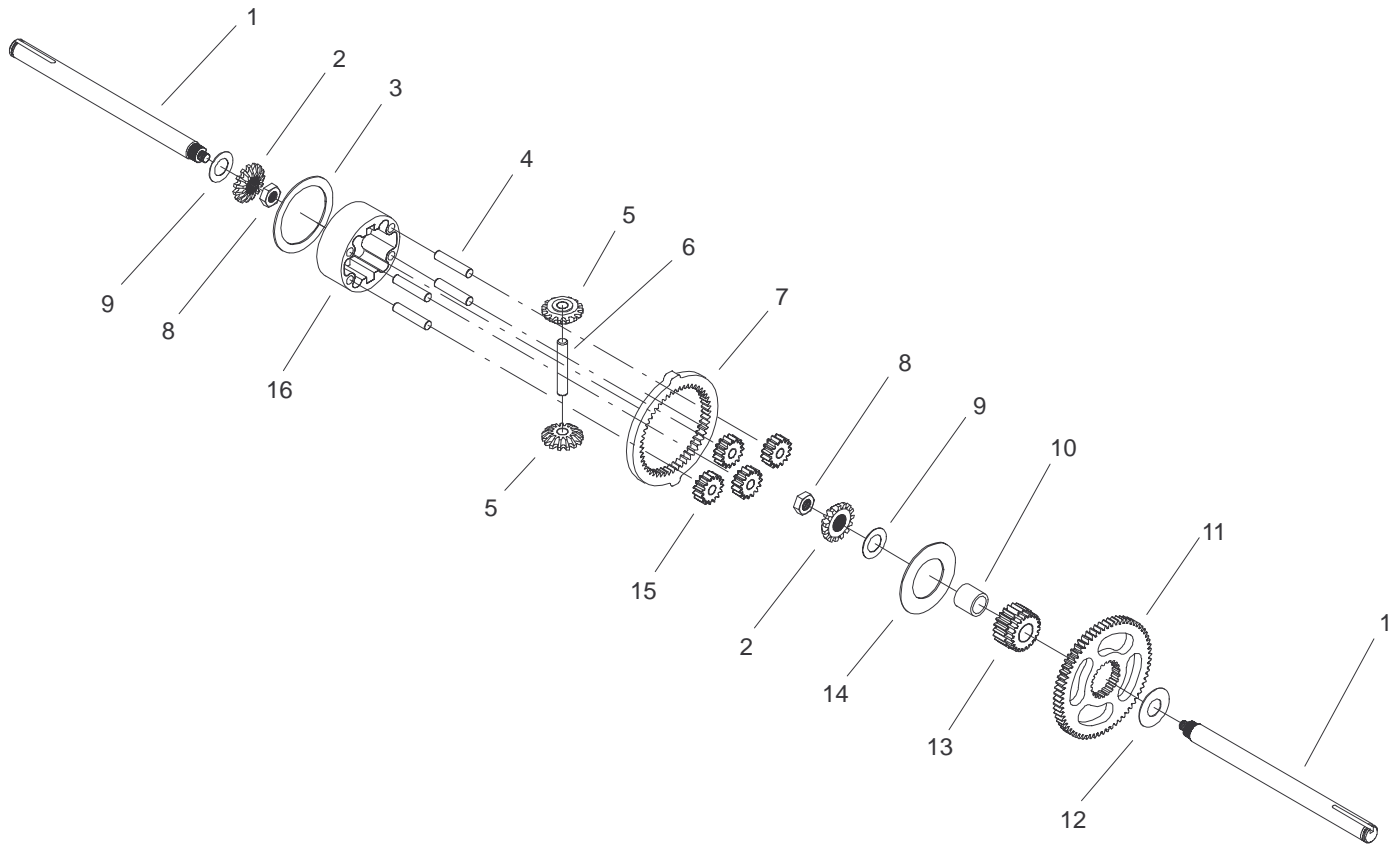


Sheet No.:3

## Housing & Fan Assembly

Ref. No.	Part No.	Qty.	Description
1	104-2164	3	Screw
2	104-2162	1	Fan
3	104-2168	1	Retaining Ring
4	104-2161	1	Pulley
5	94-1903	1	Ring - Retaining
6	92-6543	1	Seal - Lip
7	104-2104	1	Spacer
8	94-1902	1	Ring - Wire Retaining
9	94-1904	1	Bearing - Shaft Ball
10	104-2116	1	5/16-24 Stud
11	100-6093	1	Control Arm
12	104-2163	1	Spacer, Trunnion
13	104-2159	1	Hex Lock Nut
14	104-2158	1	Countersunk Screw
15	104-2157	1	Spacer, Locating
16	104-2156	1	Bearing
17	94-1933	1	Washer
18	104-2114	1	Return Arm
19	104-2119	1	Adjusting Puck
20	104-2155	1	Screw
21	104-2154	1	Washer
22	104-2170	2	STD Hols Pin
23	92-6544	1	Seal - Lip
24	104-2113	1	Trunnion Bushing
25	104-2139	2	Flange Bearing
26	94-1905	2	Bearing - Cradle

Ref. No.	Part No.	Qty.	Description
27	104-2101	1	Main Housing ASM
28	104-2143	2	Ball Brg 6205-1
29	104-2144	2	Seal 1" id X 2.0472" X .375"
30	104-2169	2	Retaining Ring
31	104-2167	1	Cap-Vent ASM
32	104-2166	1	Fitting
33	104-2165	1	Bushing, Rubber
34	936109	1	Ring - Retaining
35	104-2117	1	Bypass Arm
36	92-6545	1	Seal - Lip
37	104-2190	1	Kit-Fan/Pulley

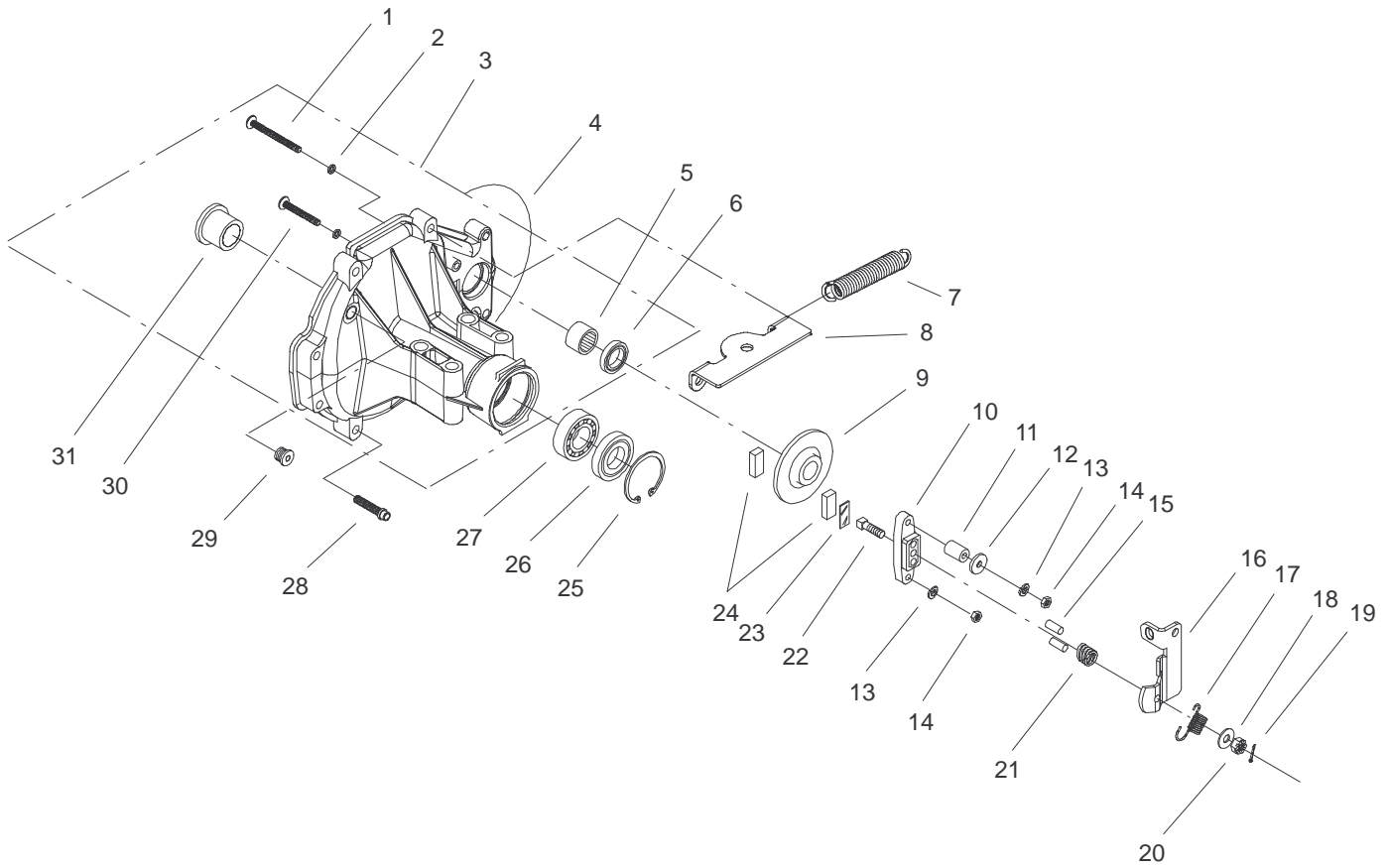


Sheet No.:4

### Differential Gear Assembly

Ref. No.	Part No.	Qty.	Description
1	104-2145	2	Shaft, Axle
2	104-2135	2	Miter Gear, Diff. (Splined)
3	104-2138	1	Diff. Thrust Plate
4	104-2128	4	Pin, Carrier
5	104-2136	2	Miter Gear, Diff.
6	104-2137	1	Shaft, Diff.
7	104-2133	1	51t Ring Gear
8	104-2142	2	Hex Jam Nut
9	104-2140	2	Washer
10	104-2160	1	Sleeve Bearing
11	104-2130	1	67t Spur Gear
12	104-2141	1	Washer
13	104-2131	1	21t Sun Gear
14	104-2132	1	Planet Thrust Plate
15	104-2129	4	15t Planet Gear
16	104-2134	1	Planetary Carrier

Ref. No.	Part No.	Qty.	Description

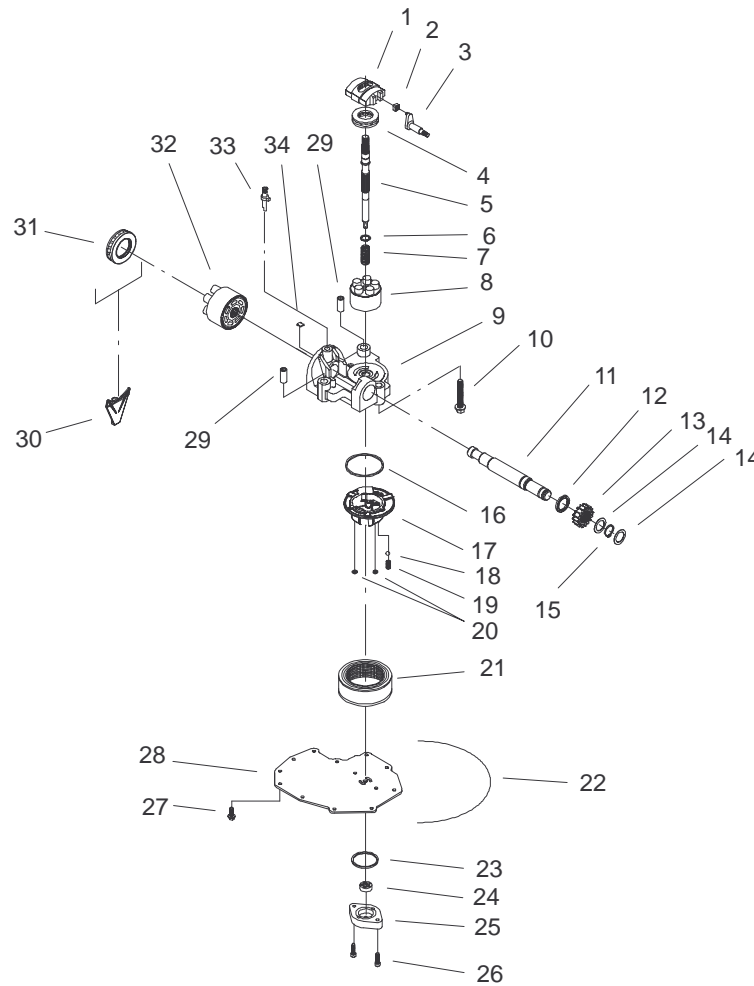


Sheet No.:5

## Brake Assembly

Ref. No.	Part No.	Qty.	Description
1	104-2182	1	Rib Neck Bolt, 3"
2	104-2191	4	O-Ring
3	104-2102	1	R.h. Housing ASM
4	104-2147	1	Sealant
5	104-2149	1	Needle Bearing
6	104-2152	1	Lip Seal
7	104-2118	1	Return Spring
8	100-1349	1	Bracket-Bell Crank
9	104-2153	1	Brake Disk
10	104-2173	1	Brake Yoke
11	104-2180	1	Spacer
12	104-2183	1	Washer
13	104-2177	2	Lockwasher
14	104-2178	2	Nut
15	104-2176	2	Pins, Brake
16	104-2175	1	Arm, Brake
17	104-2184	1	Spring, Brake Arm Bias
18	104-2146	1	Washer
19	104-2179	1	Cotter Pin
20	93-3807	1	Nut - Castle
21	104-2188	1	Comp. Spring, Brake Anti Drag
22	104-2174	1	Bolt, Square Head
23	104-2181	1	Puck Plate
24	104-2171	2	Puck, Brake
25	104-2169	2	Retaining Ring

Ref. No.	Part No.	Qty.	Description
26	104-2144	2	Seal 1" id X 2.0472" X .375"
27	104-2143	2	Ball Brg 6205-1
28	104-2148	9	Torx Head Screw
29	104-2189	1	Plug, Straight Thread
30	104-2172	1	Rib Neck Bolt, 2"
31	104-2139	2	Flange Bearing

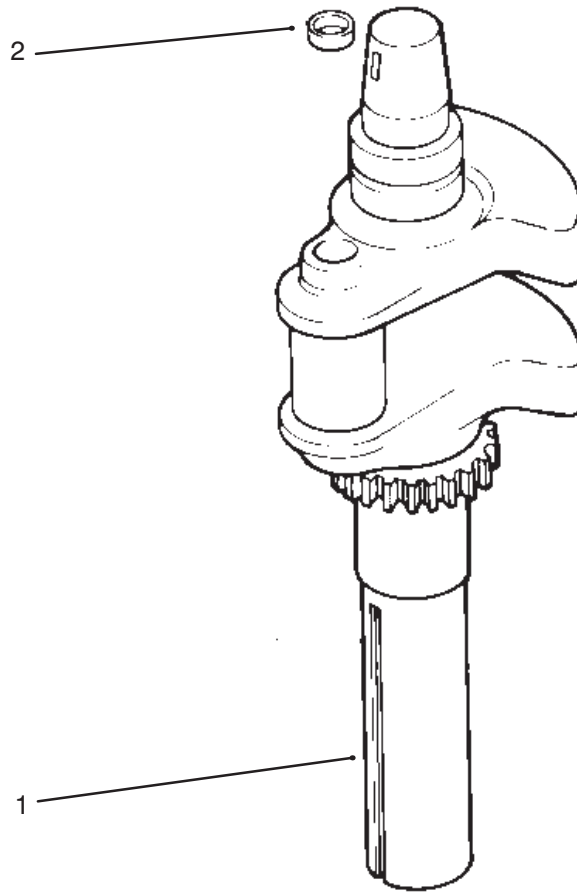


Sheet No.:6

### Cylinder Block Assembly

Ref. No.	Part No.	Qty.	Description
1	94-1907	1	Swashplate – Variable
2	94-1910	1	Guide – Slot
3	104-2112	1	Trunnion ASM
4	94-6922	1	Bearing – Thrust
5	104-2105	1	Input Shaft
6	94-1937	1	Washer – Block Thrust
7	94-1936	1	Spring – Block
8	104-2106	1	10cc Cylinder Block ASM
9	104-2103	1	Kit, Center Section
10	94-6926	3	Bolt
11	104-2107	1	Output (Motor) Shaft
12	104-2109	1	Spacer
13	104-2110	1	16t Pinion Gear
14	104-2150	2	Washer
15	104-2151	1	Retaining Ring
16	104-2185	1	O-Ring
17	104-2156	1	Bearing
18	104-2187	1	Ball, 7/16
19	104-2186	1	Spring, Relief
20	104-2191	4	O-Ring
21	104-2125	1	Filter
22	104-2147	1	Sealant
23	104-2123	1	O-Ring
24	104-2122	1	Gerotor ASM
25	104-2124	1	Gerotor Cover

Ref. No.	Part No.	Qty.	Description
26	104-2111	2	Capscrew
27	104-2120	11	Screw
28	104-2121	1	Lower Cover
29	94-1927	2	Pin
30	104-2127	1	Retainer, Motor Bearing
31	94-6923	1	Bearing – Thrust
32	94-1913	1	Block-Cyc. (Motor) ASM
33	94-1914	1	Actuator – Bypass
34	94-6925	1	Plate – Bypass

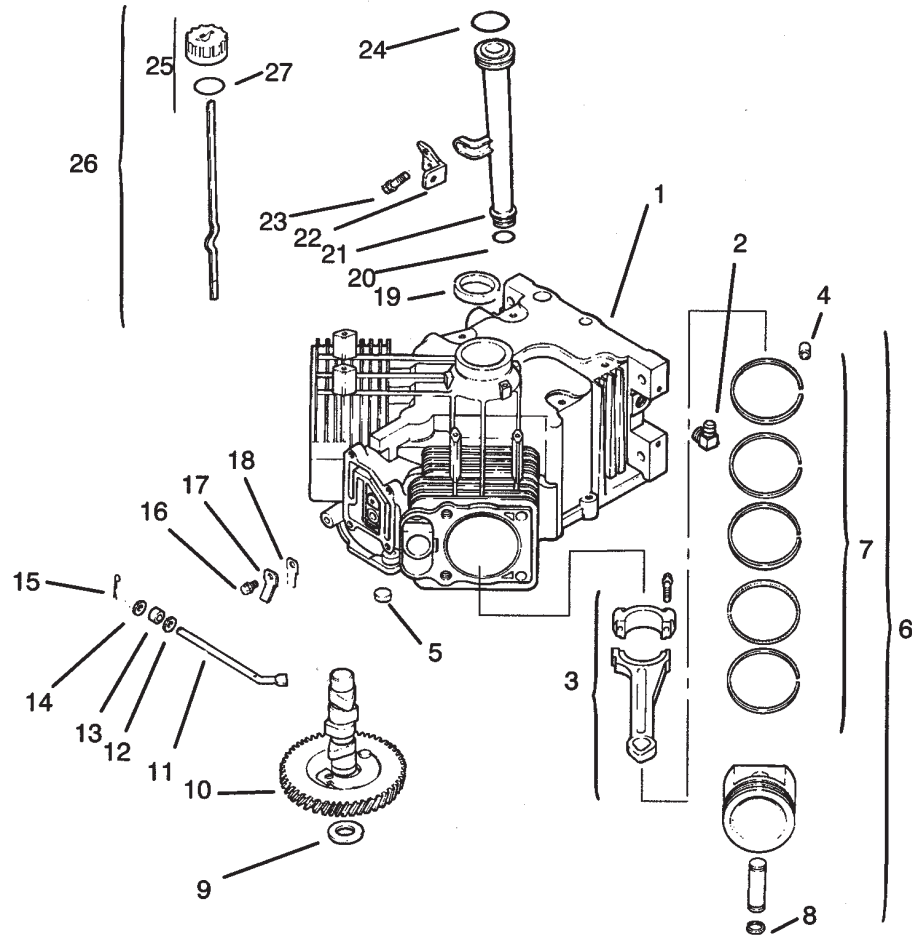


Sheet No.:

### Crankshaft

Ref. No.	Part No.	Qty.	Description
1	24 014 42	1	Crankshaft
2	52 139 09	1	Plug-Cup
	24 703 01	1	Kit-High Temp Cutout

Ref. No.	Part No.	Qty.	Description

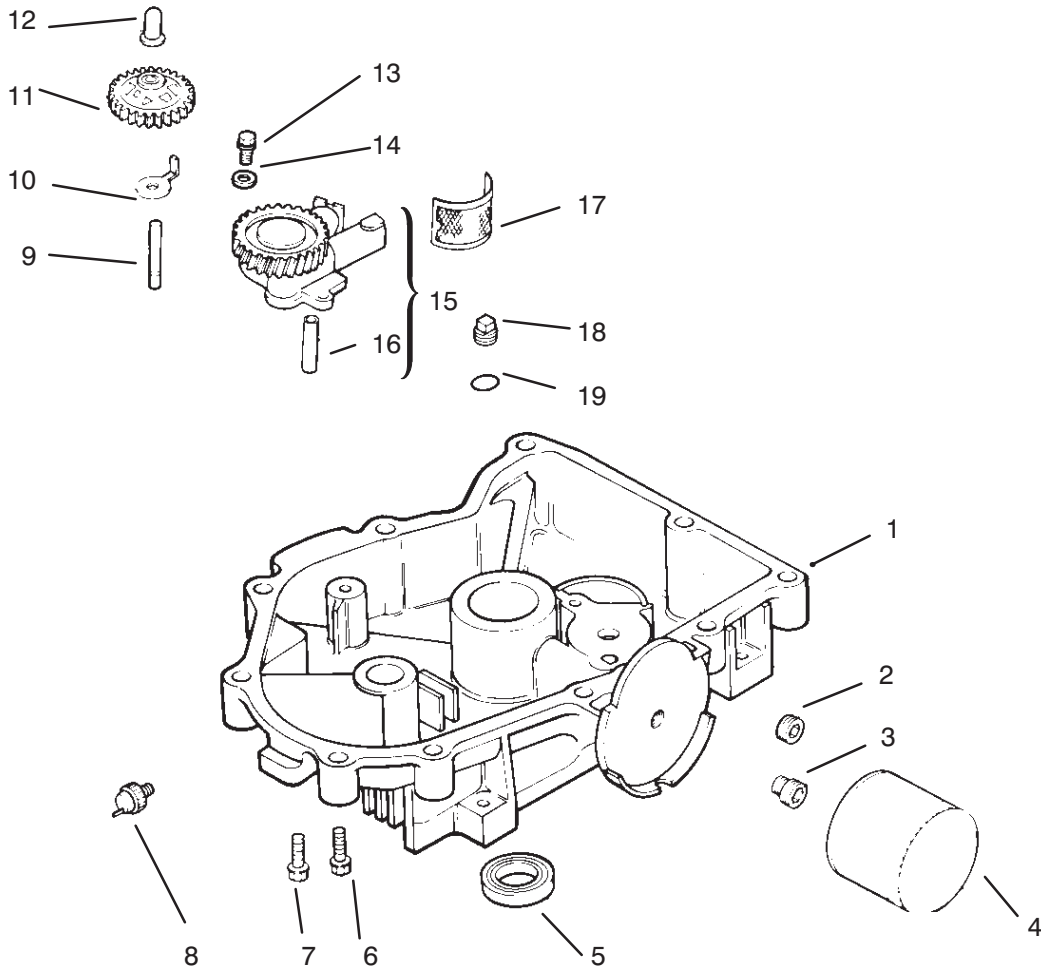


Sheet No.:

## Crankcase

Ref. No.	Part No.	Qty.	Description
1	24 522 09	1	Short Block
2	25 155 02	1	Connector-90°
3	24 067 05	2	Connecting Rod STD
3	24 067 06	2	Connecting Rod .25
†4	12 380 03	6	Dowel-Locating
5	52 139 09	1	Plug-Cup
6	24 874 01	2	Piston ASM STD INC 4/7/8
6	24 874 02	2	Piston ASM .25 INC 4/7/8
6	24 874 03	2	Piston ASM .50 INC 4/7/8
†7	24 108 01	2	Ring Set STD INC 4/8
7	24 108 02	2	Ring Set .25 INC 4/8
7	24 108 03	2	Ring Set .50 INC 4/8
†8	24 018 01	4	Retainer-Piston Pin
9	12 422 07	1	Shim-Camshaft A/R
9	12 422 08	1	Shim-Camshaft A/R
9	12 422 09	1	Shim-Camshaft A/R
9	12 422 10	1	Shim-Camshaft A/R
9	12 422 11	1	Shim-Camshaft A/R
9	12 422 12	1	Shim-Camshaft A/R
9	12 422 13	1	Shim-Camshaft A/R
10	24 012 05	1	Camshaft
11	24 144 01	1	Shaft-Governor Cross
12	X-25-63	1	Washer-Flat

Ref. No.	Part No.	Qty.	Description
13	12 032 01	1	Seal-Governor Shaft
14	X-25-102	1	Washer-Flat
15	12 380 04	1	Pin-Governor Hitch
16	M-0545010	2	Screw M5x0.8x10
17	24 018 04	2	Retainer-Reed
18	24 402 05	2	Beed-Breather
19	24 032 01	1	Seal-Oil
20	12 153 01	1	O Ring-Lower Fill Tube
21	12 123 04	1	Tube-Oil Fill
22	24 126 19	1	Bracket-Oil Fill Tube
23	M-0545016	1	Screw M5x0.8x16
24	12 153 02	1	O Ring-Upper Fill Tube
25	24 038 04	1	Dipstick INC 26-27
†26	25 755 13	1	Kit-Oil Cap INC 3
†27	12 153 03	1	O Ring-Fill Cap
*	24 755 03	1	Gasket Set



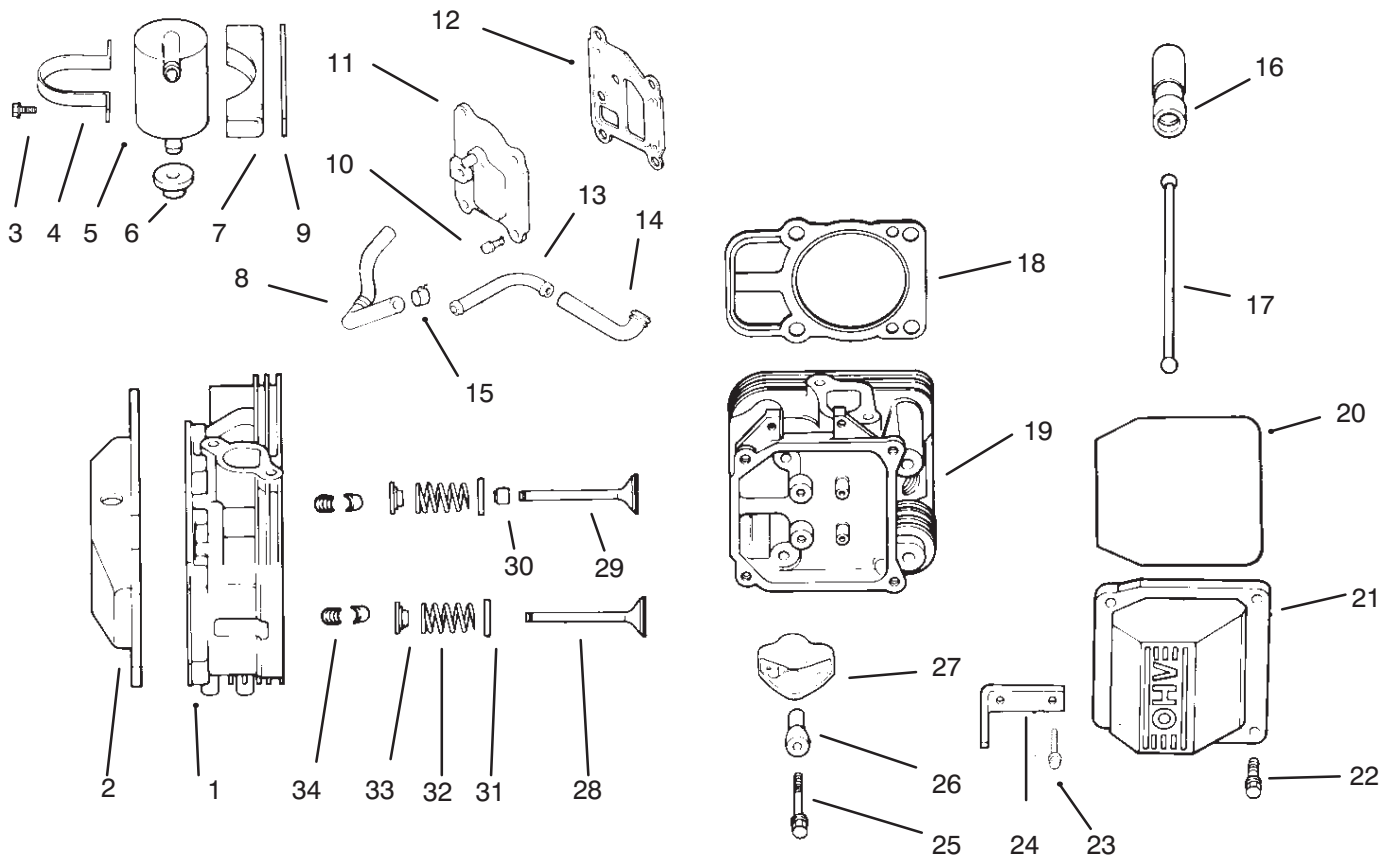
Sheet No.:

### Oil Pan / Lubrication

Ref. No.	Part No.	Qty.	Description
1	24 199 07	1	Oil Pan
2	X-75-32	1	Plug-HS 3/8 NPTF
3	24 136 01	1	Nipple-Oil Filter
4	12 050 01	1	Filter-Oil
5	52 032 08	1	Seal-Oil
6	24 086 17	1	Screw M8x1.25x45
7	24 086 16	9	Screw M8x1.25x45
8	52 099 06	1	Switch-Oil Pressure
9	12 144 02	1	Shaft-Governor Gear
10	52 448 02	1	Tab-Locking
11	24 043 12	1	Governor Gear ASM
12	12 380 01	1	Pin-Governor Regulating
13	M-0645025	2	Screw-Valve Cover
14	M-0631005	2	Washer-Governor
15	24 393 08	1	Oil Pump ASM INC 16
†16	24 123 05	1	Tube-Oil Pickup
17	12 162 07	1	Screen-Oil Pickup
18	X-75-10	1	Plug-SH 3/8 NPTF
19	24 153 08	1	O Ring
*	25 113 05	1	Decal-Oil Sentry

Ref. No.	Part No.	Qty.	Description

† Included in a service kit or in an assembly  
\* Not illustrated

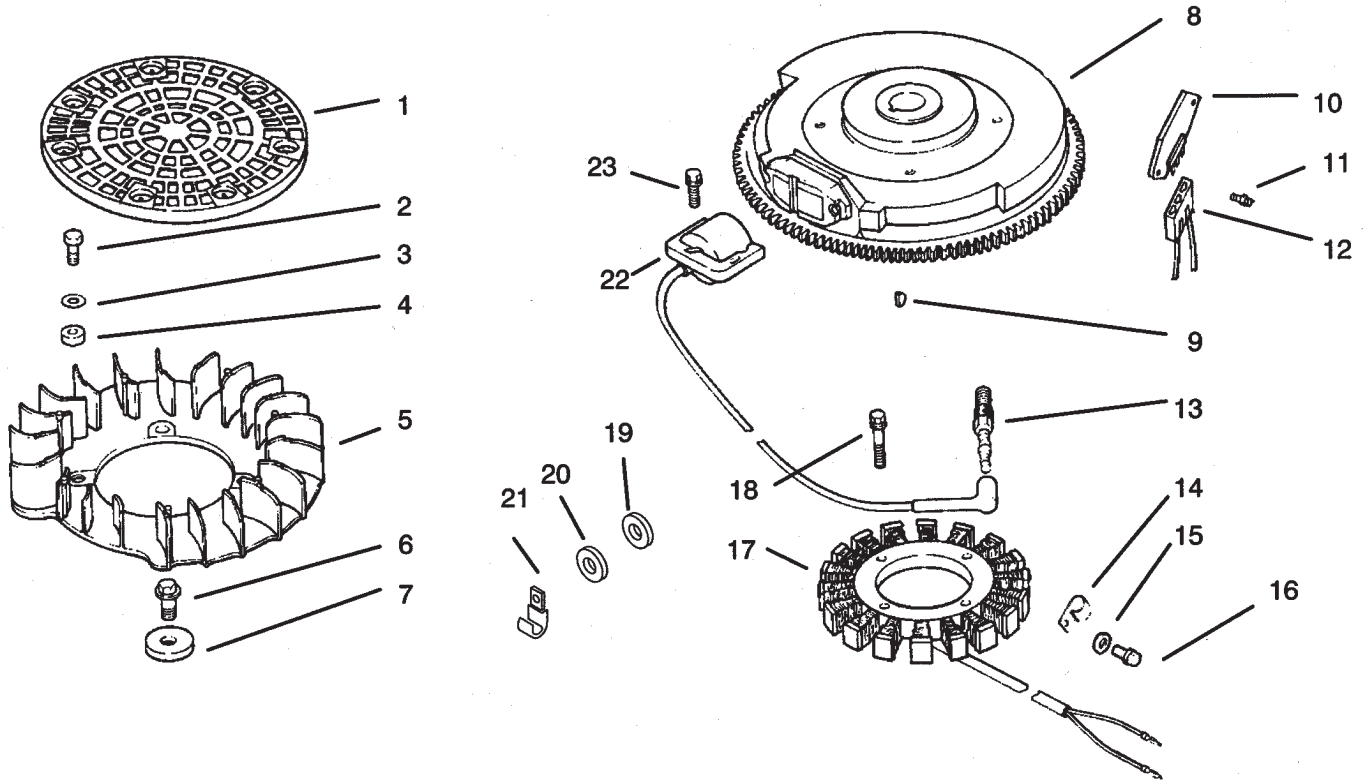


Sheet No.:

## Head / Valve / Breather

Ref. No.	Part No.	Qty.	Description
1	24 318 11	1	Head ASM-#1
2	24 755 76	1	Cylinder
3	M-0545016	2	Kit-Valve Incl 6 20-22
4	24 445 02	1	Screw M5x0.8x16
5	24 755 57	1	Strap-Breather
6	25 313 02	1	Kit-Breather Incl 3-9
7	24 126 44	1	Grommet-Rubber
8	24 326 13	1	Bracket-Breather Sep
9	24 112 12	1	Hose-Breather
10	M-0645020	4	Spacer
11	24 096 15	4	Screw-HH M6x1.0x20
12	24 041 23	1	Cover-Breather
13	24 294 06	1	Gasket-Breather
14	24 326 14	1	Fitting
15	X-426-9	2	Hose-Breather
16	12 351 01	2	Clamp-Hose
17	24 411 05	4	Lifter-Valve
18	24 041 08	4	Rod-Push
19	24 318 12	2	Gasket-Cylinder Head
20	24 153 12	1	Head ASM-#2
21	24 755 74	1	Cylinder
22	24 086 32	4	O-Ring
23	12 086 16	1	Kit Valve Incl 20-22
24	24 445 01	4	Screw-Shoulder

Ref. No.	Part No.	Qty.	Description
25	M-0640034	4	Screw M6x1.0x34
26	24 599 01	4	Pivot-Rocker Arm
27	25 186 01	4	Arm-Rocker
28	24 016 01	2	Valve-Exhaust
28	24 016 02	2	Valve-Exhaust (.25)
29	24 017 01	2	Valve-Intake
29	24 017 02	2	Valve-Intake (.25)
30	24 032 05	2	Seal-Valve Stem
31	235011	4	Retainer-Spring
32	24 089 02	4	Spring-Valve
33	12 173 01	4	Cap-Valve Spring
34	12 755 03	4	Kit-Retainer
	24 033 03	1	Kit-Breather Incl 11-12
	24 755 66	1	Kit-Valve Incl 17 26-27



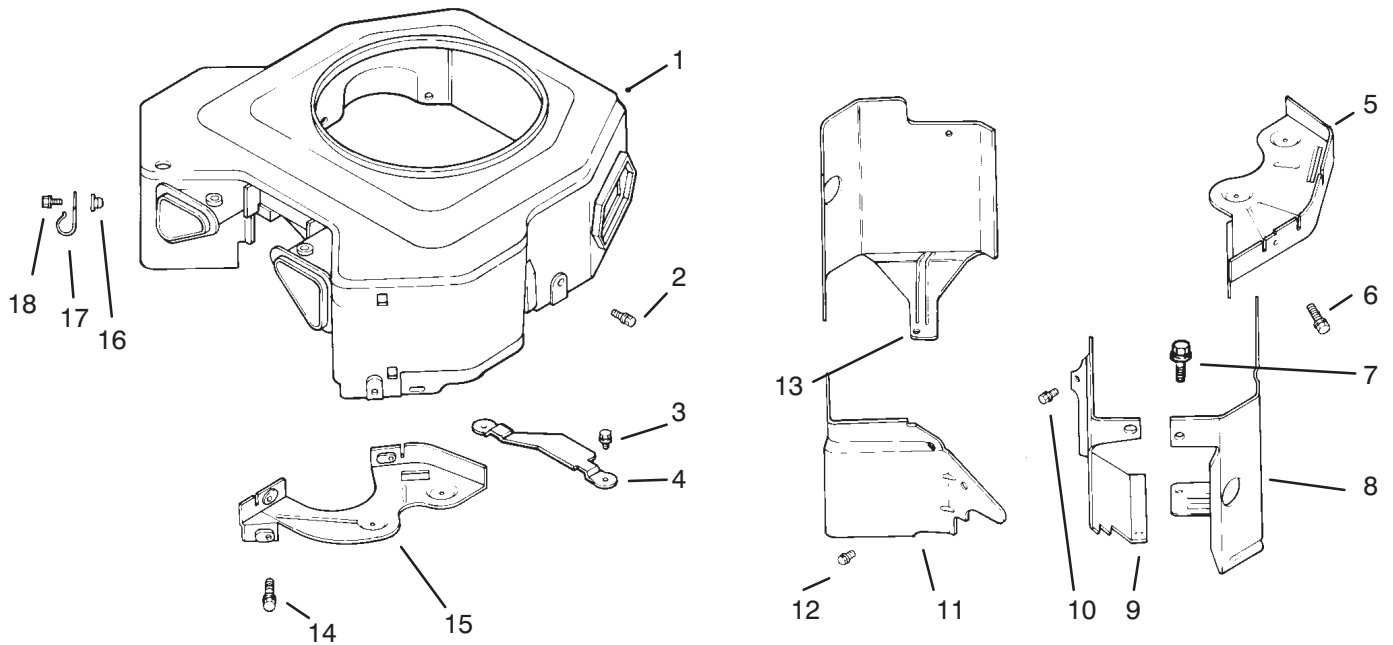
Sheet No.:

### Ignition / Electrical

Ref. No.	Part No.	Qty.	Description
1	24 162 17	1	Screen-Grass
2	M-0403025	4	Screw M4x0.7x25
3	X-25-92	4	Washer-Flat
4	24 112 04	1	Spacer-Fan
5	24 157 03	1	Fan
6	M-0639016	4	Screw M6x1.0x16
7	12 112 01	4	Spacer-Fan
8	24 025 04	1	Flywheel ASM
9	X-42-15	1	Key
10	25 403 03	1	Rectifier-Regulator
11	24 086 18	2	Screw-Phillips
12	236602	1	Connector-Regulator
13	12 132 02	2	Spark Plug
14	48 154 02	1	Clip-Stator Harness
15	12 468 03	1	Washer-Flywheel Screw
16	12 086 14	1	Screw-Flywheel Mounting
17	24 085 01	1	Stator-15 Amp
18	M-0548025	2	Screw M5x0.8x25
19	X-25-63	2	Washer-Flat
20	X-25-92	2	Washer-Flat
21	235173	1	Clip-Cable
22	24 584 01	1	Module-Ignition
23	M-0545020	4	Screw M5x0.8x20
*	24 113 18	1	Decal-Grass Screen

Ref. No.	Part No.	Qty.	Description
	24 176 40	1	Harness-Wire
	24 518 28	1	Lead-Black

\* Not illustrated



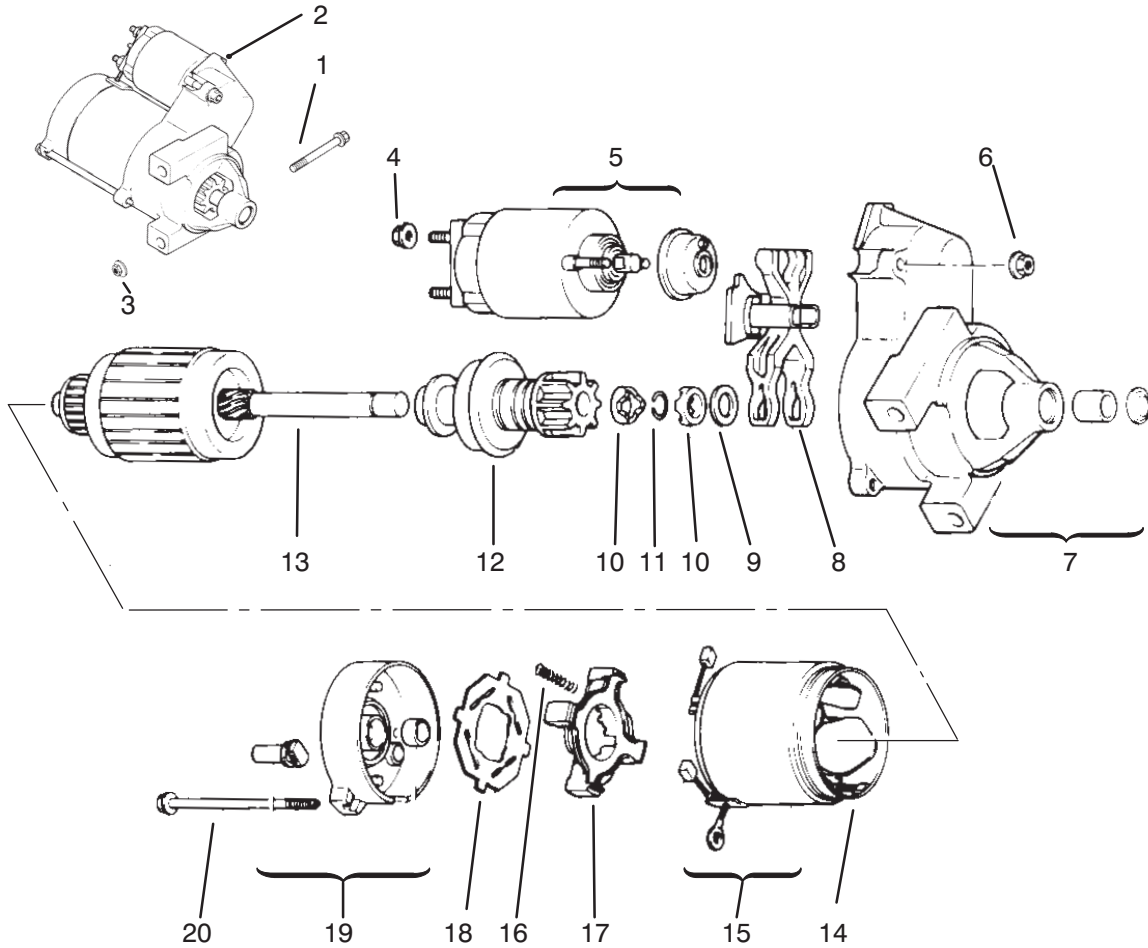
Sheet No.:

## Blower Housing & Baffles

Ref. No.	Part No.	Qty.	Description
1	24 027 20	1	Housing-Blower ASM
2	M-0549016	3	Screw M5x0.8x16
3	M-0645016	4	Screw-HH M6x1.0x16
4	24 314 05	1	Guard-Flywheel
5	24 146 02	1	Plate-Backing #2 Side
6	M-0545020	2	Screw M5x0.8x20
7	M-0551016	1	Screw M5x0.8x14
8	24 063 20	1	Baffle-Cylinder #2 Side
9	24 063 23	1	Baffle-Valley #1 Side
10	M-0549010	2	Screw M5x0.8x10
11	24 063 14	1	Baffle-Valley #2 Side
12	M-0549016	2	Screw M5x0.8x16
13	24 063 30	1	Baffle-Cylinder #1 Side
14	M-0649016	2	Screw M6x1.0x16
15	24 146 08	1	Plate-Backing #1
16	24 100 01	4	Nut-Plastic
17	47 154 01	1	Clip-Cable
18	24 086 12	1	Screw-Cable Clip
*	24 100 02	2	Nut INC w/Blower Hsng
*	25 139 16	1	Plug INC w/Blower Hsng

Ref. No.	Part No.	Qty.	Description

\* Not illustrated

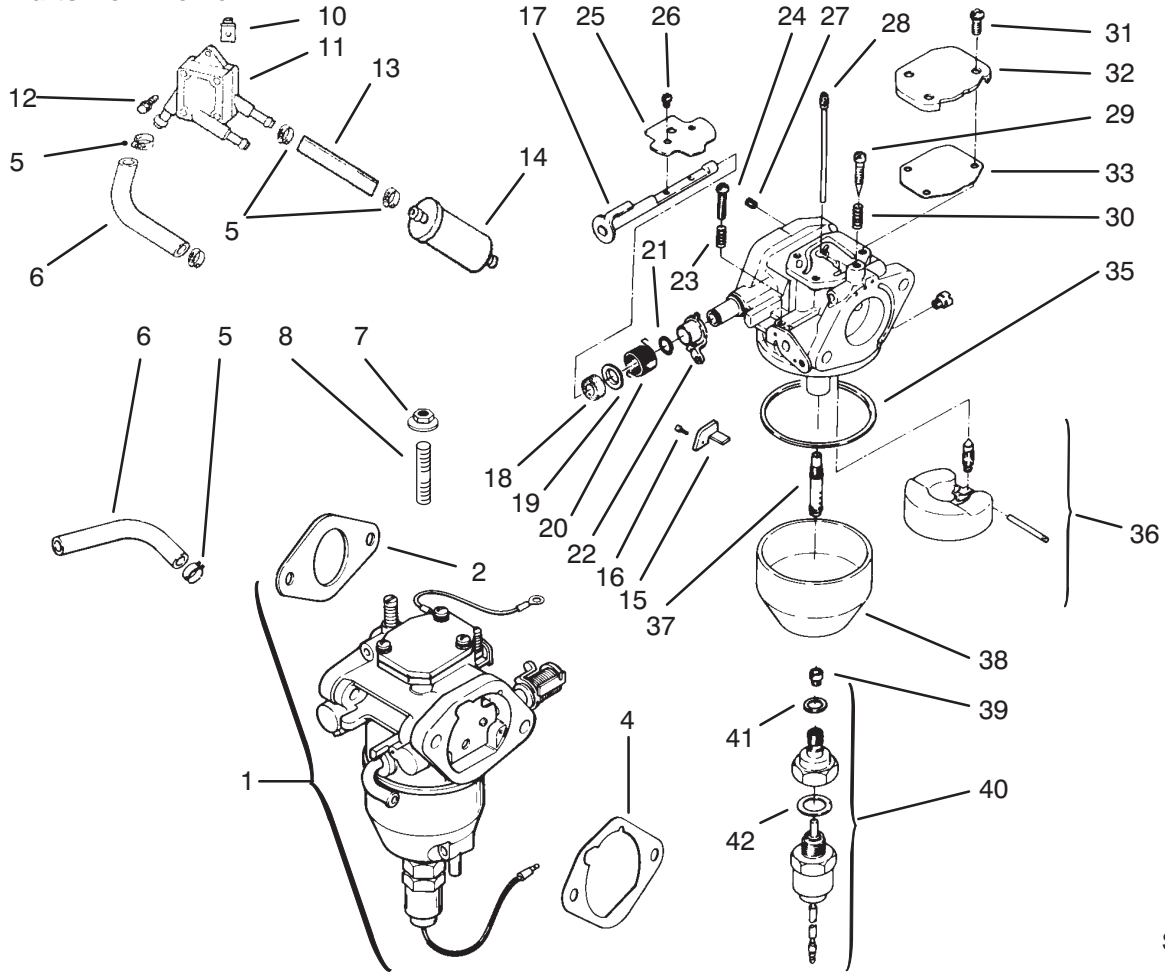


Sheet No.:

### Starting System

Ref. No.	Part No.	Qty.	Description	Ref. No.	Part No.	Qty.	Description
1	M-0839080	2	Screw M8x1.25x80				
2	12 098 03	1	Starter INC 4-20				
3	M-0841080	1	Nut M8x1.25				
†4	52 100 09	1	Nut-Starter				
†5	52 435 02	1	Solenoid				
†6	52 100 10	2	Nut Starter				
†7	12 081 02	1	Cap-Drive End				
†8	12 090 10	1	Lever Starter Drive				
†9	42 468 14	1	Washer-Thrust				
†10	52 100 08	2	Nut-Stop Collar				
†11	52 141 03	1	Ring-Retainer				
†12	12 239 01	1	Drive-Pinion				
†13	12 170 03	1	Armature-Starter				
†14	12 471 01	1	Frame				
†15	52 221 01	1	Kit-Brush INC 16				
†16	52 089 09	4	Spring-Brush				
†17	52 323 03	1	Holder-Brush				
†18	52 168 01	1	Insulator				
†19	12 301 01	1	Cap-Commutator End				
†20	52 211 05	2	Bolt				
	24 755 84	1	Kit-Starter Repair				

† Included in a service kit or in an assembly



Sheet No.:

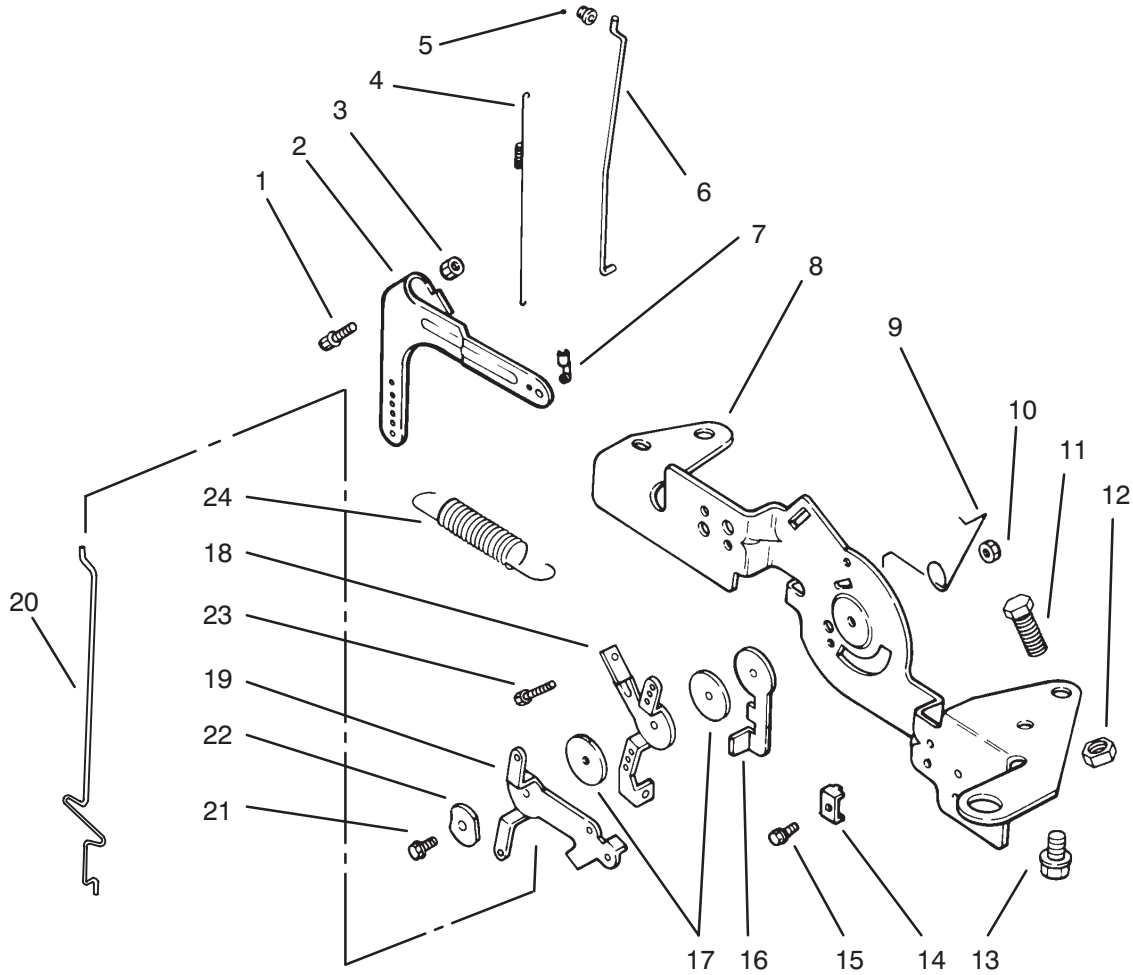
## Fuel System

Ref. No.	Part No.	Qty.	Description
†2	24 041 15	1	Gasket-Carburetor
†4	24 041 14	1	Gasket-A/C Base
5	X-426-9	6	Clamp-Hose
6	24 353 03	2	Line-Fuel 10 1/2"
7	M-0641060	2	Nut M6x1.0
8	M-0629095	2	Stud M6x1.0x95
10	24 100 01	2	Nut-Plastic
11	24 393 04	1	Pump-Fuel
12	24 086 12	2	Screw-Cable Clip
13	25 353 15	1	Line-Fuel 3 1/2"
14	25 050 02	1	Filter-Fuel
†15	24 126 29	1	Bracket-Throttle Stop
†16	M-0259006	1	Screw M2.5x45x5.5
†17	24 144 15	1	Shaft-Choke
†18	24 468 05	1	Washer
†19	24 241 01	1	Collar-Choke
†20	24 089 22	1	Spring-Choke Return
†21	24 141 04	1	Ring-Choke Lever
†22	24 090 10	1	Lever-Choke
†23	24 089 24	1	Spring-Throttle Screw
†24	24 086 19	1	Screw-Throttle Adjust
25	24 146 13	1	Valve-Choke
†26	24 086 20	4	Screw-Throttle Shaft
†27	24 337 27	1	Jet-Air Bleed
†28	24 337 11	1	Jet-Slow
†29	24 086 22	1	Screw-Idle Adjust

Ref. No.	Part No.	Qty.	Description
†30	24 089 23	1	Spring-Idle Adjust Screw
†31	24 086 21	3	Screw
†32	24 096 13	1	Cover-Passage
†33	24 041 18	1	Gasket-Passage Cover
†35	24 041 19	1	Gasket-Float Chamber
†36	24 757 05	1	Kit-Float Repair
†37	24 369 01	1	Nozzle-Main
†38	24 234 01	1	Chamber-Float
†39	24 337 20	1	Jet-Main
†40	24 755 15	1	Kit-Solenoid INC 41-42
†41	24 041 21	1	Gasket-Chamber Screw
†42	24 041 20	1	Gasket-Solenoid
*	24 041 15	1	Gasket-Carburetor
*	24 063 22	1	Baffle-Carburetor
*	24 755 25	1	Kit-Hi Alt 1500-3000 M
*	24 755 26	1	Kit-Hi Alt Over 3000 M
*	24 757 06	1	Kit-Carburetor Repair

† Included in a service kit or in an assembly

\* Not illustrated

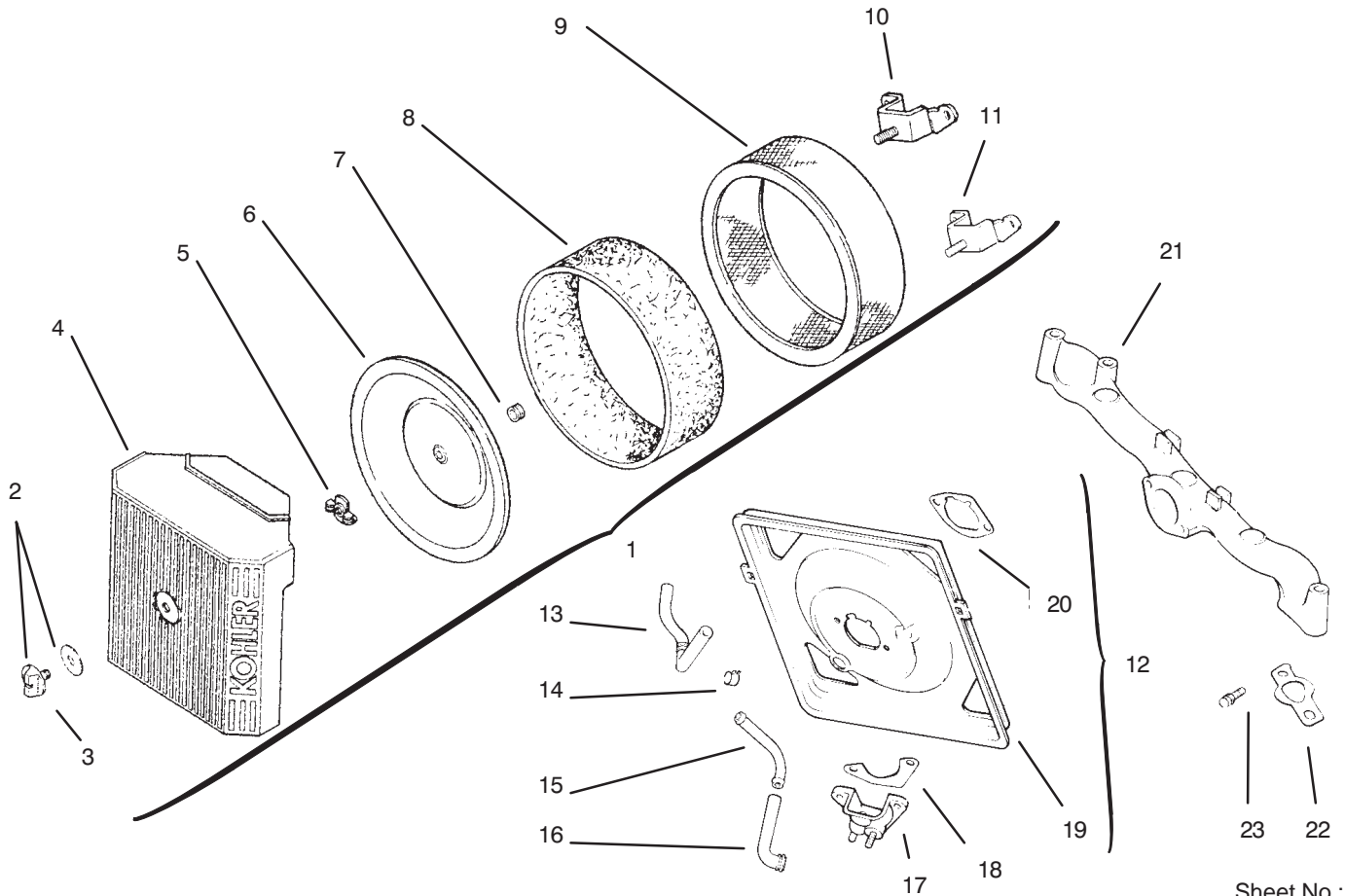


Sheet No.:

## Engine Controls

Ref. No.	Part No.	Qty.	Description
1	Sm-0642025	1	Screw M6x1.0x25
2	24 090 14	1	Lever-Governor
3	M-0641060	1	Nut M6x1.0
4	24 089 01	1	Spring-Linkage
5	25 158 08	1	Bushing-Linkage
6	24 079 04	1	Linkage-Throttle
7	25 158 11	1	Bushing-Linkage
8	24 126 13	1	Bracket-Control
9	24 089 03	1	Spring-Choke Return
10	M-0547050	1	Nut M5x0.8
11	Sm-0545016	1	Screw M5x0.8x16
12	M-0446030	1	Nut-Hex M4x0.7
13	Sm-0645016	4	Screw M6x1.0x16
14	12 237 01	2	Clamp-Cable
15	Sm-0545016	2	Screw M5x0.8x16
16	24 090 07	1	Lever-Throttle Actuator
17	24 468 01	3	Washer
18	24 090 03	1	Lever-Throttle Control
19	24 090 05	1	Lever-Choke
20	24 079 05	1	Linkage-Choke
21	Sm-0545020	1	Screw M5x0.8x20
22	41 468 03	1	Washer-Wave
23	M-0403025	1	Screw M4x0.7x25
24	24 089 15	1	Spring-Governor

Ref. No.	Part No.	Qty.	Description

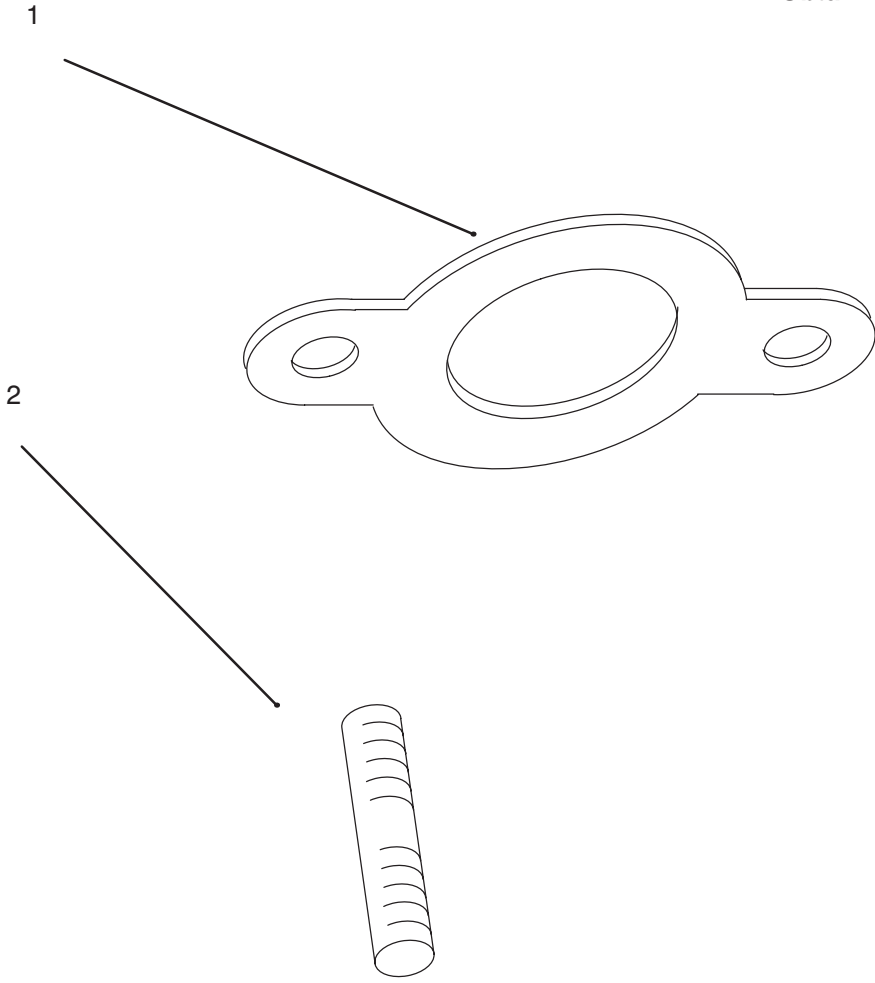


Sheet No.:

## Air Intake / Filtration

Ref. No.	Part No.	Qty.	Description
1	24 743 05	1	Kit-Air Cleaner Cover
2	24 755 91	1	Kit-Knob w/Gasket
3	25 341 02	1	Knob-Cover
4	24 096 24	1	Cover-Air Cleaner
5	12 100 01	1	Nut-Wing
6	24 096 01	1	Cover-Inner Air Cleaner
7	24 032 03	1	Seal-Air Intake
8	24 083 02	1	Element-Precleaner
9	47 083 03	1	Element-Air Cleaner
10	24 126 21	1	Bracket-Air Cleaner Base
11	24 126 43	1	Bracket-Air Cleaner
12	24 755 86	1	Kit-Air Cleaner Base
13	24 326 13	1	Hose-Breather
14	X-426-9	2	Clamp-Hose
15	24 294 06	1	Fitting
16	24 326 14	1	Hose-Breather
17	24 109 06	1	Cup-Fuel Spitback
18	24 041 13	1	Gasket-Fuel Spitback Cup
19	24 094 14	1	Base-Air Cleaner
20	24 041 14	1	Gasket-A/C Base
21	24 164 06	1	Manifold-Intake
22	24 041 01	2	Gasket-Intake

Ref. No.	Part No.	Qty.	Description
23	M-0651055	4	Manifold Screw

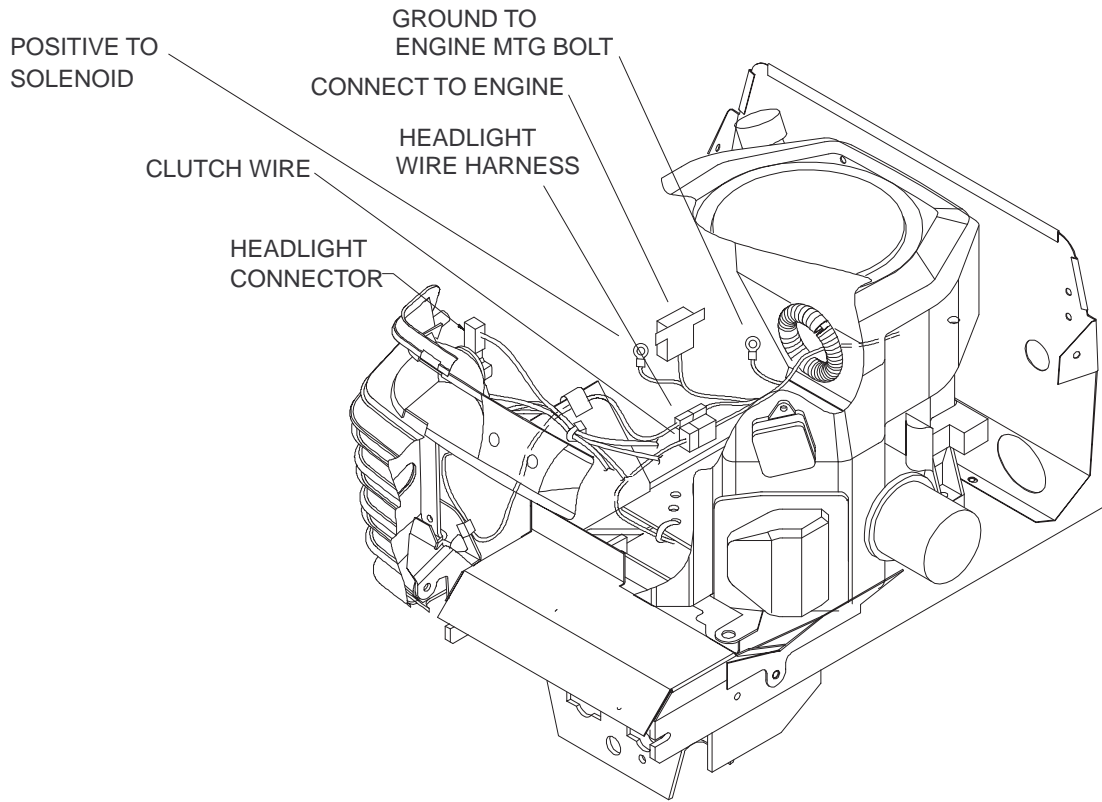


Sheet No.:

### Exhaust

Ref. No.	Part No.	Qty.	Description
1	24 041 02	2	Gasket-Exhaust
2	M-0829033	4	Stud M8x1.25x20

Ref. No.	Part No.	Qty.	Description



TWIN CYLINDER

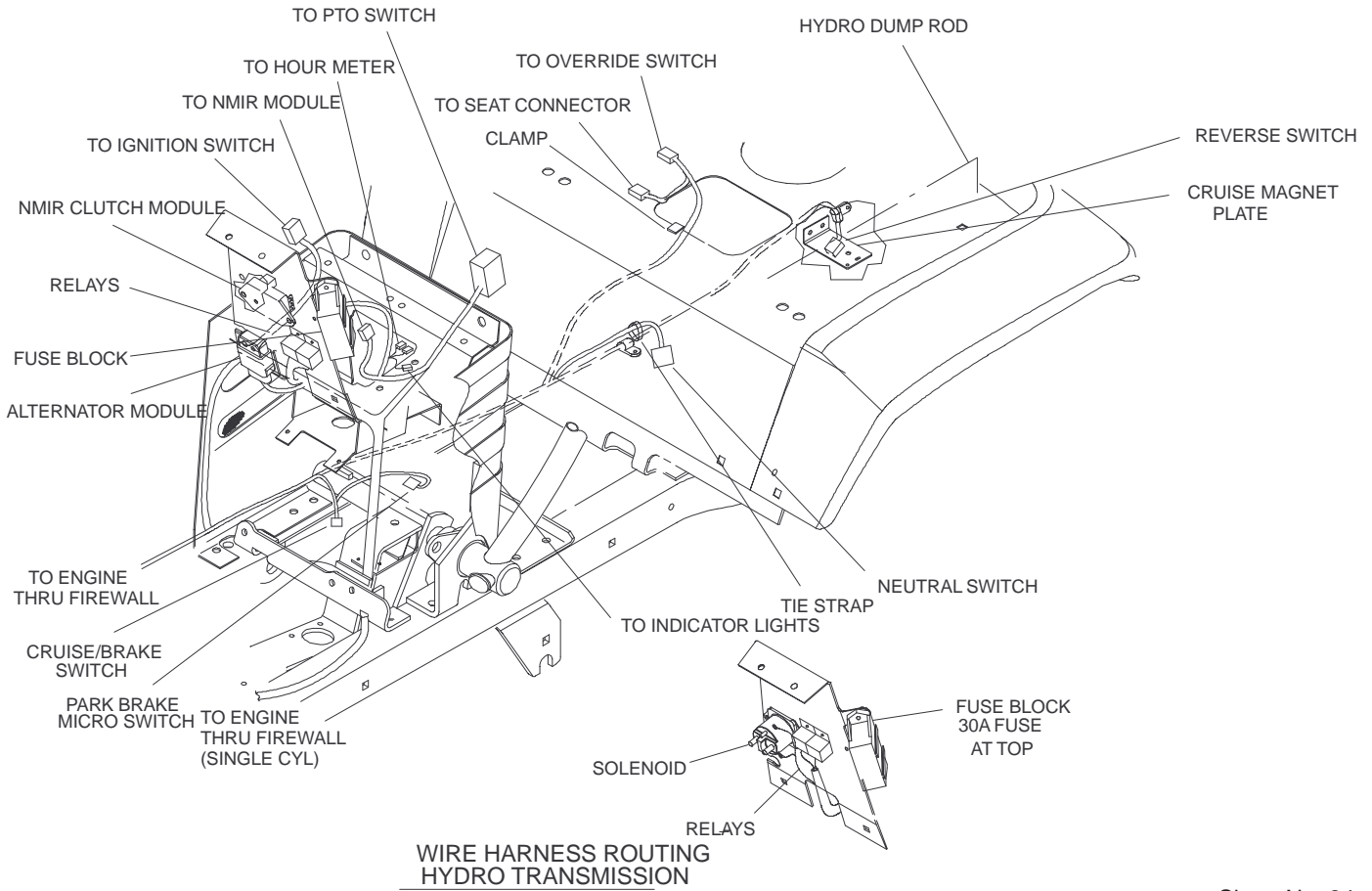
WIRE HARNESS TO  
ENGINE ROUTING

Sheet No.:32

## Engine Wire Harness Routing Assembly

Ref. No.	Part No.	Qty.	Description

Ref. No.	Part No.	Qty.	Description



Sheet No.:34

## Hydro Transmission Wire Harness Routing Assembly

Ref. No.	Part No.	Qty.	Description

Ref. No.	Part No.	Qty.	Description

# 268-H Wiring Schematic

