



Count on it.

Parts Catalog

**ProLine H800
Rotary Mower**

Model No. 31050—Serial No. 317000001 and Up



Ordering Replacement Parts

To order replacement parts, please supply the part number, the quantity, and the description of each part desired.

Understanding Reference Numbers

Each identified part in an illustration has a reference number. The reference number for a part also appears in the parts list, along with other information about the part.

This catalog uses two special reference number formats, one to indicate parts in a service assembly and another to indicate the quantity of a given part in an illustration.

Service Assembly Reference Numbers

Parts in service assemblies have reference numbers in the form a:b. The a represents the reference number of the entire service assembly and the b represents a sequential number unique to each part within the service assembly.

For example, a wheel assembly might be identified by reference number 6, the tire by 6:1, the valve by 6:2, and the wheel by 6:3. When you order the assembly identified by reference number 6, you receive all parts identified by reference numbers 6:1, 6:2, and 6:3. However, you may also order any part individually. Reference numbers of this type appear in illustration and in parts lists.

Reference Numbers Indicating Quantity

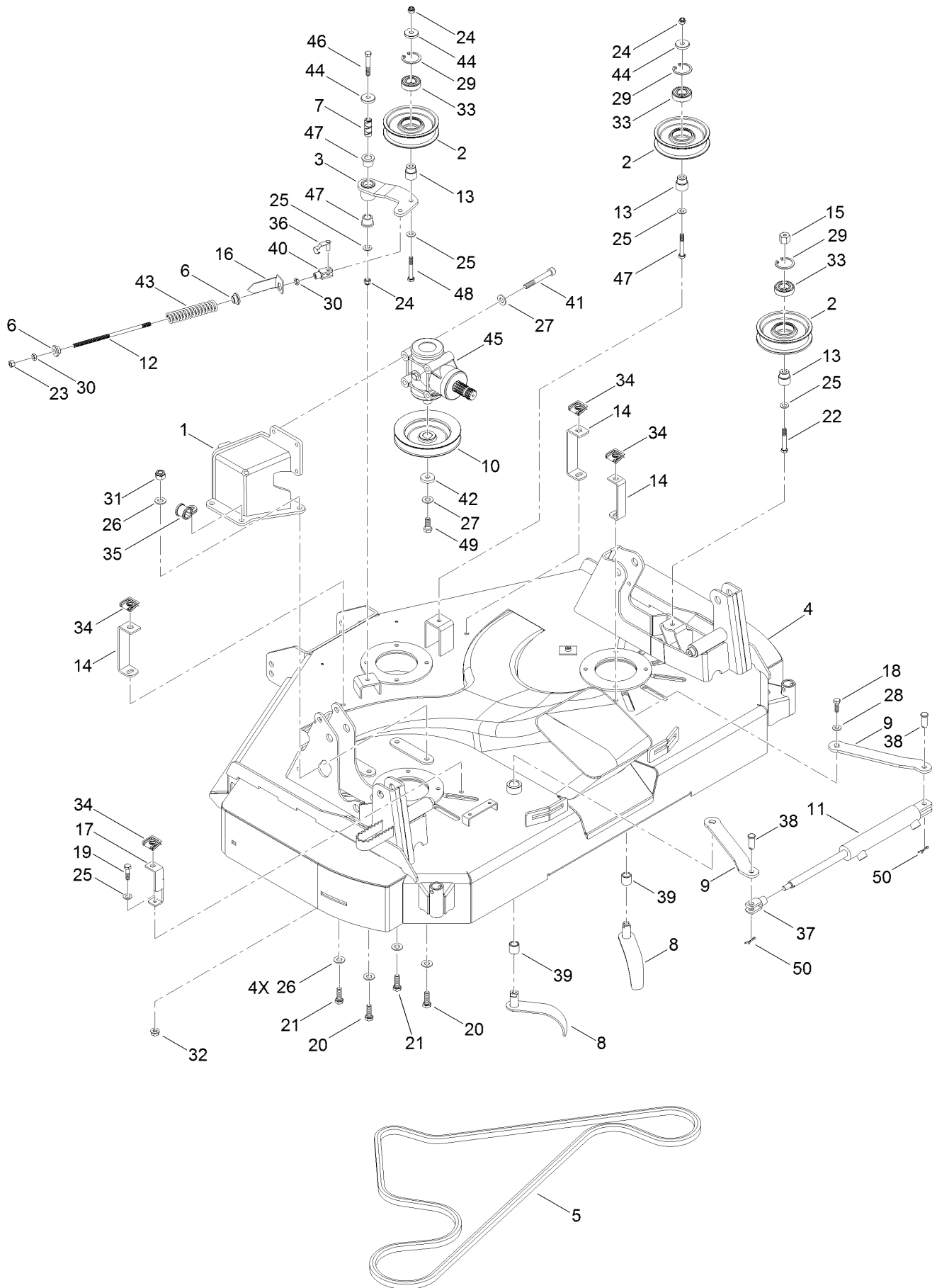
In an illustration, if a reference number indicates more than one part, the reference number has the form nX y. The n represents the quantity of the part, the X is the multiplication symbol, and the y represents the reference number.

For example, in an illustration, the reference number 2X 37 means that two of the parts identified by reference number 37 are indicated.

Contents

| | |
|---|----|
| 132 cm Cutting Deck Belt and Idlers Assembly | 4 |
| Gearbox Assembly No. 134-0623 | 6 |
| 132 cm Cutting Deck Blade and Pulley Assembly | 8 |
| Basket Lift Frame Assembly | 10 |
| Basket Assembly | 12 |
| Brakes Assembly | 14 |
| Cooling Assembly | 16 |
| Electric Equipment Assembly | 18 |
| Body Assembly | 20 |
| Frame Assembly | 22 |
| Flat Frame Assembly | 24 |
| Grass Conveyor Hood Assembly | 26 |
| Lighting Assembly | 28 |
| Lift Arms Assembly | 30 |
| Lubrication Service Assembly | 32 |
| Oil Filter System Assembly | 34 |
| Engine, Pump and Friction Assembly | 36 |
| Engine, Fuel and Suction Assembly | 38 |
| Operator Platform Assembly | 40 |
| Oil System Motors Assembly | 42 |
| Road Basket Assembly | 44 |
| Rear Axle Assembly | 46 |
| Transmission, PTO and Drive Shaft Assembly | 48 |
| Fuel and Oil Tank Assembly | 50 |
| Mower Deck Hydraulic Assembly | 52 |
| Cylinder Block Assembly | 54 |
| Gear Housing Assembly | 56 |
| Flywheel Housing and Oil Sump Assembly | 58 |
| Cylinder Head and Cover Assembly | 60 |
| Exhaust Manifold Assembly | 62 |
| Camshaft and Driving Gear Assembly | 64 |
| Crankshaft and Piston Assembly | 66 |
| Lubrication and Oil System Assembly | 68 |
| Cooling Water System Assembly | 70 |
| Fuel Injection Pump Assembly | 72 |
| Governor Assembly | 74 |
| Fuel Injection Valve Assembly | 76 |
| Fuel Filter Assembly | 78 |
| Starter Motor Assembly | 80 |
| Generator Assembly | 82 |
| Gasket Set | 84 |

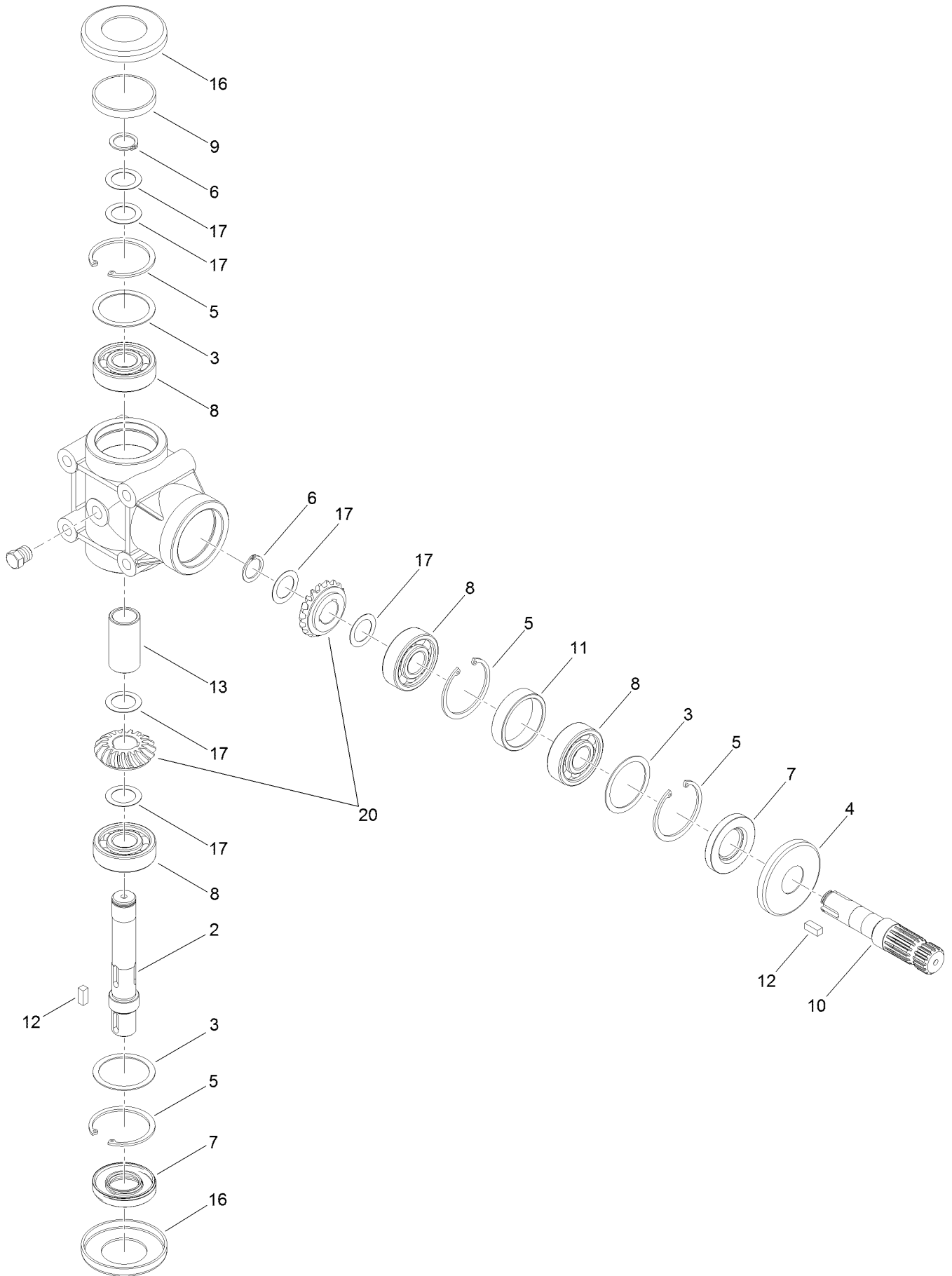
132 cm Cutting Deck Belt and Idlers Assembly



132 cm Cutting Deck Belt and Idlers Assembly (continued)

| <i>Ref.</i> | <i>Part Number</i> | <i>Qty.</i> | <i>Description</i> | <i>Ref.</i> | <i>Part Number</i> | <i>Qty.</i> | <i>Description</i> |
|-------------|--------------------|-------------|----------------------------------|-------------|--------------------|-------------|---------------------|
| 1 | 134-0626 | 1 | Rod | 26 | 134-1046 | 5 | Washer |
| 2 | 134-0632 | 3 | Pulley-Position, Neutral | 27 | 134-1051 | 2 | Washer |
| 3 | 134-0655 | 1 | Tightener-Belt, Cutter Deck | 28 | 134-1054 | 1 | Washer |
| 4 | 134-0661 | 1 | Fairing-Deck, Cutter | 29 | 134-1058 | 3 | Ring-Retaining, Int |
| 5 | 134-0571 | 1 | Belt-Deck, Cutter | 30 | 134-1078 | 2 | Nut |
| 6 | 134-0712 | 2 | Bushing | 31 | 134-1081 | 1 | Nut |
| 7 | 134-0730 | 1 | Spacer | 32 | 134-1082 | 1 | Nut |
| 8 | 134-0808 | 2 | Scraper | 33 | 134-1108 | 3 | Bearing |
| 9 | 134-0815 | 2 | Lever | 34 | 134-1193 | 4 | Plate-Small |
| 10 | 134-0817 | 1 | Pulley | 35 | 134-1198 | 1 | Clamp |
| 11 | 134-0827 | 1 | Piston-Brake | 36 | 134-1239 | 1 | Fork |
| 12 | 134-0835 | 1 | Support-Gearbox | 37 | 134-1241 | 1 | Fork |
| 13 | 134-0879 | 1 | Bushing | 38 | 134-1242 | 2 | Pin |
| 14 | 134-0883 | 3 | Bracket | 39 | 134-1265 | 2 | Bushing-Bronze |
| 15 | 134-0884 | 3 | Spacer | 40 | 134-1271 | 1 | Fork |
| 16 | 134-0892 | 1 | Spring-Belt Tension Indicator | 41 | 134-1316 | 1 | Screw |
| 17 | 134-0965 | 1 | Bracket | 42 | 134-1337 | 1 | Washer |
| 18 | 134-1011 | 1 | Screw | 43 | 134-1350 | 1 | Spring |
| 19 | 134-1014 | 1 | Screw | 44 | 134-1355 | 3 | Washer |
| 20 | 134-1019 | 2 | Screw | 45 | 134-0623 | 1 | Back Gear ASM |
| 21 | 134-1023 | 2 | Screw | 46 | 134-2953 | 1 | Screw |
| 22 | 134-1029 | 1 | Screw | 47 | 134-2954 | 2 | Bushing |
| 23 | 134-1034 | 1 | Nut | 48 | 134-2955 | 2 | Screw |
| 24 | 134-1038 | 3 | Nut | 49 | 134-2956 | 1 | Screw |
| 25 | 134-1045 | 5 | Washer | 50 | 134-2957 | 2 | Pin-Split |

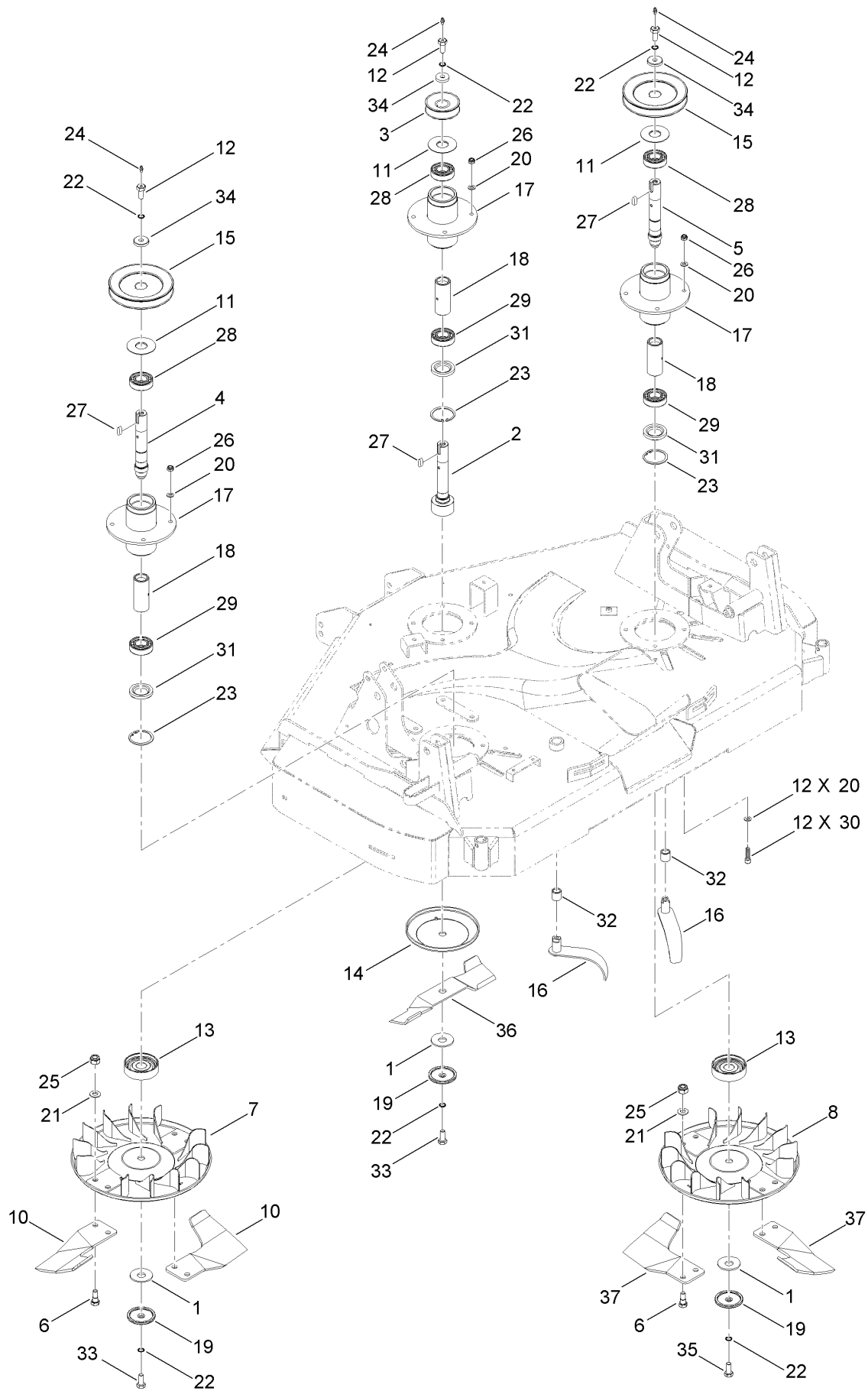
Gearbox Assembly No. 134-0623



Gearbox Assembly No. 134-0623 (continued)

| <i>Ref.</i> | <i>Part Number</i> | <i>Qty.</i> | <i>Description</i> | <i>Ref.</i> | <i>Part Number</i> | <i>Qty.</i> | <i>Description</i> |
|-------------|--------------------|-------------|---------------------|-------------|--------------------|-------------|--------------------|
| 2 | 134-0702 | 1 | Shaft | 10 | 134-1339 | 1 | Shaft |
| 3 | 134-0996 | 3 | Spacer | 11 | 134-1340 | 1 | Spacer |
| 4 | 134-1001 | 1 | Cover | 12 | 134-1341 | 2 | Key-Shaft |
| 5 | 134-1057 | 4 | Ring-Retaining, Int | 13 | 134-1342 | 1 | Spacer |
| 6 | 134-1060 | 2 | Ring-Retaining, Int | 16 | 134-1345 | 2 | Cover |
| 7 | 134-1096 | 2 | Seal | 17 | 134-1354 | 5 | Spacer |
| 8 | 134-1110 | 4 | Bearing | 20 | 134-1344 | 1 | Gear-Set |
| 9 | 134-1238 | 1 | Cap | | | | |

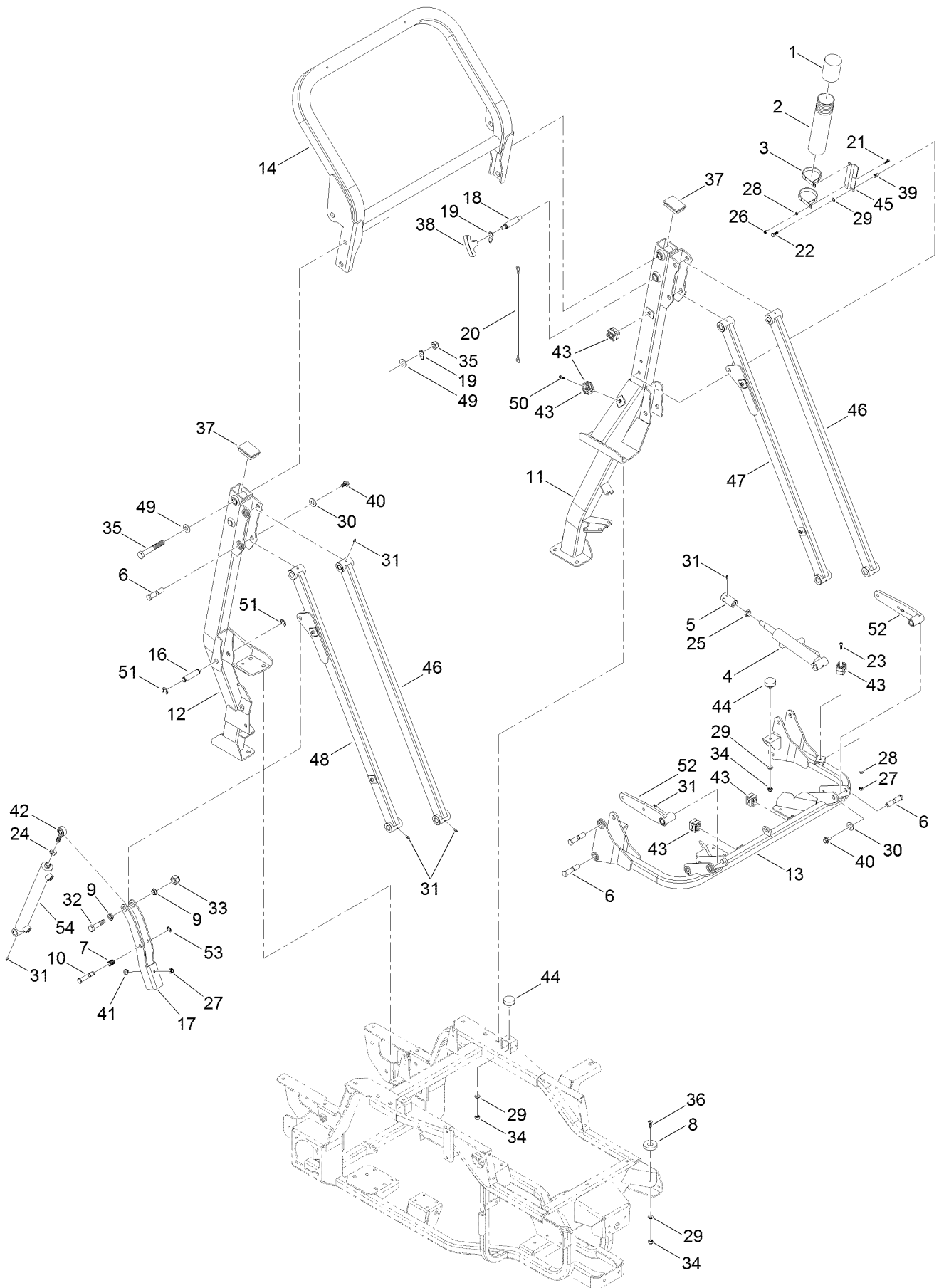
132 cm Cutting Deck Blade and Pulley Assembly



132 cm Cutting Deck Blade and Pulley Assembly (continued)

| <i>Ref.</i> | <i>Part Number</i> | <i>Qty.</i> | <i>Description</i> | <i>Ref.</i> | <i>Part Number</i> | <i>Qty.</i> | <i>Description</i> |
|-------------|--------------------|-------------|--------------------------|-------------|--------------------|-------------|---------------------|
| 1 | 134-0579 | 3 | Spring-Belleville | 20 | 134-1045 | 15 | Washer |
| 2 | 134-0630 | 1 | Shaft-Blade Hub, Central | 21 | 134-1046 | 2 | Washer |
| 3 | 134-0631 | 1 | Pulley | 22 | 134-1051 | 6 | Washer |
| 4 | 134-0636 | 1 | Shaft-Hub, LH Blade | 23 | 134-1057 | 3 | Ring-Retaining, Int |
| 5 | 134-0637 | 1 | Shaft-Hub, RH Blade | 24 | 134-1065 | 3 | Fitting-Grease |
| 6 | 134-0643 | 2 | Screw | 25 | 134-1079 | 2 | Nut |
| 7 | 134-0652 | 1 | Disc-Blade, LH | 26 | 134-1092 | 3 | Nut |
| 8 | 134-0653 | 1 | Disc-Blade, RH | 27 | 134-1101 | 3 | Key-Shaft |
| 10 | 134-0665 | 2 | Blade-LH | 28 | 134-1106 | 3 | Bearing |
| 11 | 134-0732 | 3 | Cover | 29 | 134-1109 | 2 | Bearing |
| 12 | 134-0733 | 3 | Screw | 30 | 134-1115 | 12 | Screw |
| 13 | 134-0734 | 1 | Seal-Oil | 31 | 134-1159 | 3 | Seal-Oil |
| 14 | 134-0778 | 1 | Disc-Blade, Central | 32 | 134-1265 | 2 | Bushing-Bronze |
| 15 | 134-0805 | 2 | Pulley | 33 | 134-1309 | 2 | Screw |
| 16 | 134-0808 | 2 | Scraper | 34 | 134-1337 | 3 | Washer |
| 17 | 134-0833 | 3 | Hub-Blade Holder | 35 | 134-1347 | 1 | Screw |
| 18 | 134-0834 | 3 | Spacer | 36 | 134-0663 | 1 | Blade-Central |
| 19 | 134-0897 | 3 | Cover | 37 | 134-0664 | 2 | Blade-RH |

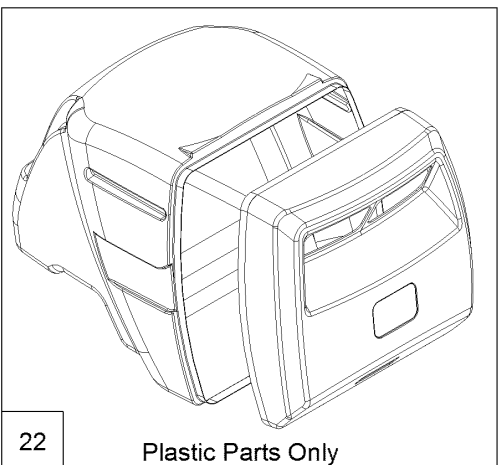
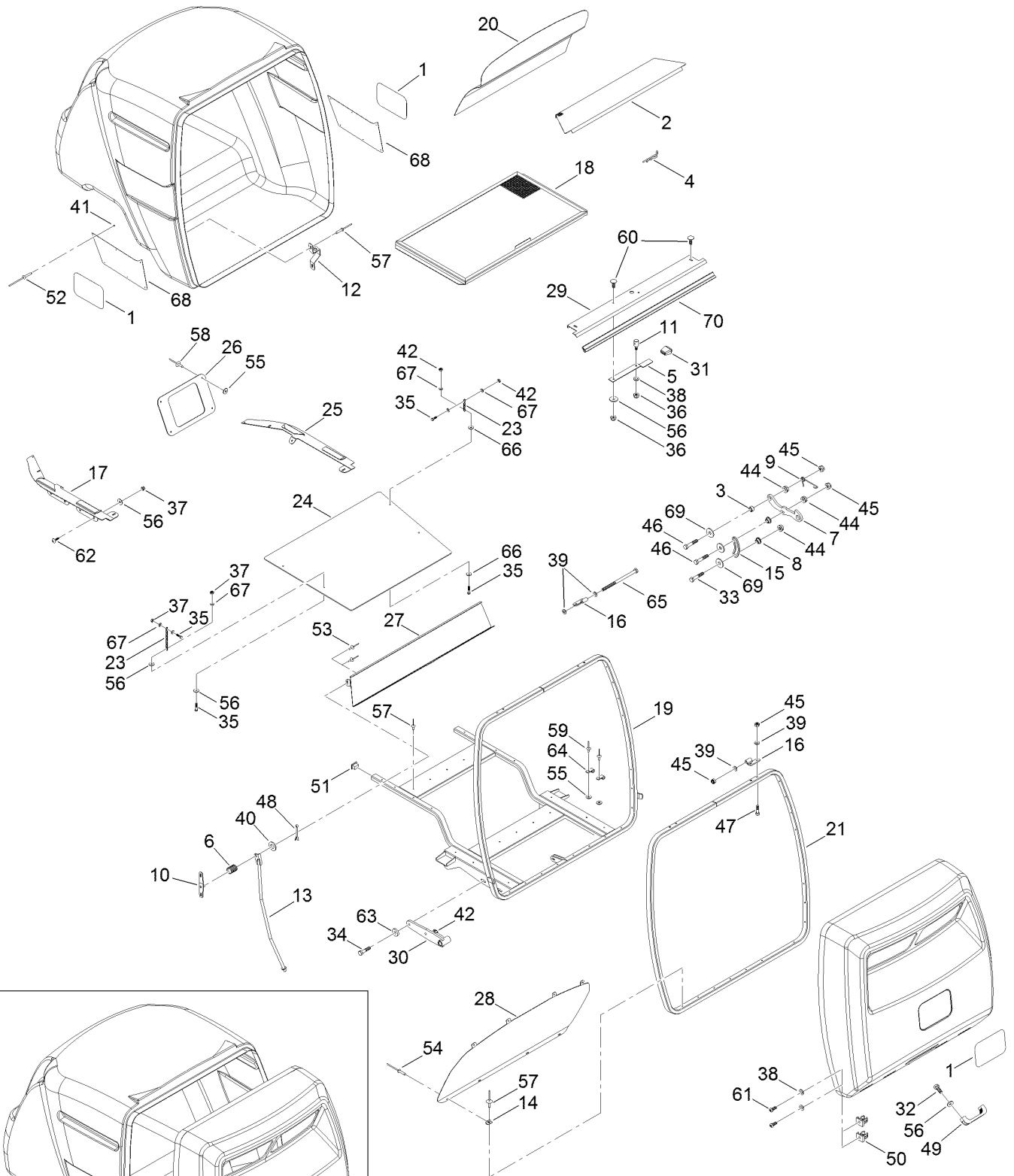
Basket Lift Frame Assembly



Basket Lift Frame Assembly (continued)

| <i>Ref.</i> | <i>Part Number</i> | <i>Qty.</i> | <i>Description</i> | <i>Ref.</i> | <i>Part Number</i> | <i>Qty.</i> | <i>Description</i> |
|-------------|--------------------|-------------|------------------------------------|-------------|--------------------|-------------|------------------------------------|
| 1 | 104-7048 | 1 | Cap-Housing | 29 | 134-1045 | 4 | Washer |
| 2 | 104-7050 | 1 | Tube-Manual | 30 | 134-1051 | 2 | Washer |
| 3 | 107-1865 | 1 | R-Clamp | 31 | 134-1065 | 8 | Fitting-Grease |
| 4 | 134-0654 | 2 | Cylinder-Tipping, Grass Catcher | 32 | 134-1072 | 1 | Screw |
| 5 | 134-0692 | 2 | Support | 33 | 134-1090 | 1 | Nut |
| 6 | 134-0719 | 2 | Pin | 34 | 134-1092 | 2 | Nut |
| 7 | 134-0727 | 1 | Spring | 35 | 134-1095 | 2 | Nut |
| 8 | 134-0759 | 1 | Support | 36 | 134-1121 | 1 | Screw |
| 9 | 134-0761 | 2 | Bushing | 37 | 134-1175 | 2 | Cap |
| 10 | 134-0776 | 1 | Pin | 38 | 134-1180 | 1 | Knob |
| 11 | 134-0809 | 1 | Bracket | 39 | 134-1260 | 1 | Insert-Threaded |
| 12 | 134-0810 | 1 | Bracket | 40 | 134-1310 | 2 | Screw |
| 13 | 134-0814 | 1 | Support | 41 | 134-1326 | 1 | Magnet |
| 14 | 134-0839 | 1 | Bar-Roll | 42 | 134-1328 | 2 | Joint-Ball |
| 16 | 134-0873 | 1 | Pin | 43 | 134-1330 | 5 | Collar |
| 17 | 134-0909 | 1 | Rod-Safety | 44 | 134-1338 | 2 | Pad-Rubber |
| 18 | 134-0931 | 1 | Pin | 45 | 134-2958 | 1 | Bracket |
| 19 | 134-0932 | 2 | Plate-Small | 46 | 134-2959 | 2 | Arm |
| 20 | 134-0933 | 1 | Cable | 47 | 134-2960 | 1 | Arm |
| 21 | 134-1008 | 1 | Screw | 48 | 134-2961 | 1 | Arm |
| 22 | 134-1011 | 1 | Screw | 49 | 134-2962 | 2 | Washer |
| 23 | 134-1025 | 1 | Screw | 50 | 134-2963 | 1 | Screw |
| 24 | 134-1036 | 2 | Nut | 51 | 134-2964 | 1 | Ring-Snap |
| 25 | 134-1037 | 2 | Nut | 52 | 134-2965 | 2 | Hopper Hinge |
| 26 | 134-1041 | 1 | Nut | 53 | 134-2966 | 1 | Ring Snap |
| 27 | 134-1042 | 2 | Nut | 54 | 134-0654 | 2 | Cylinder-Tipping, Grass Catcher |
| 28 | 134-1044 | 2 | Washer | | | | |

Basket Assembly

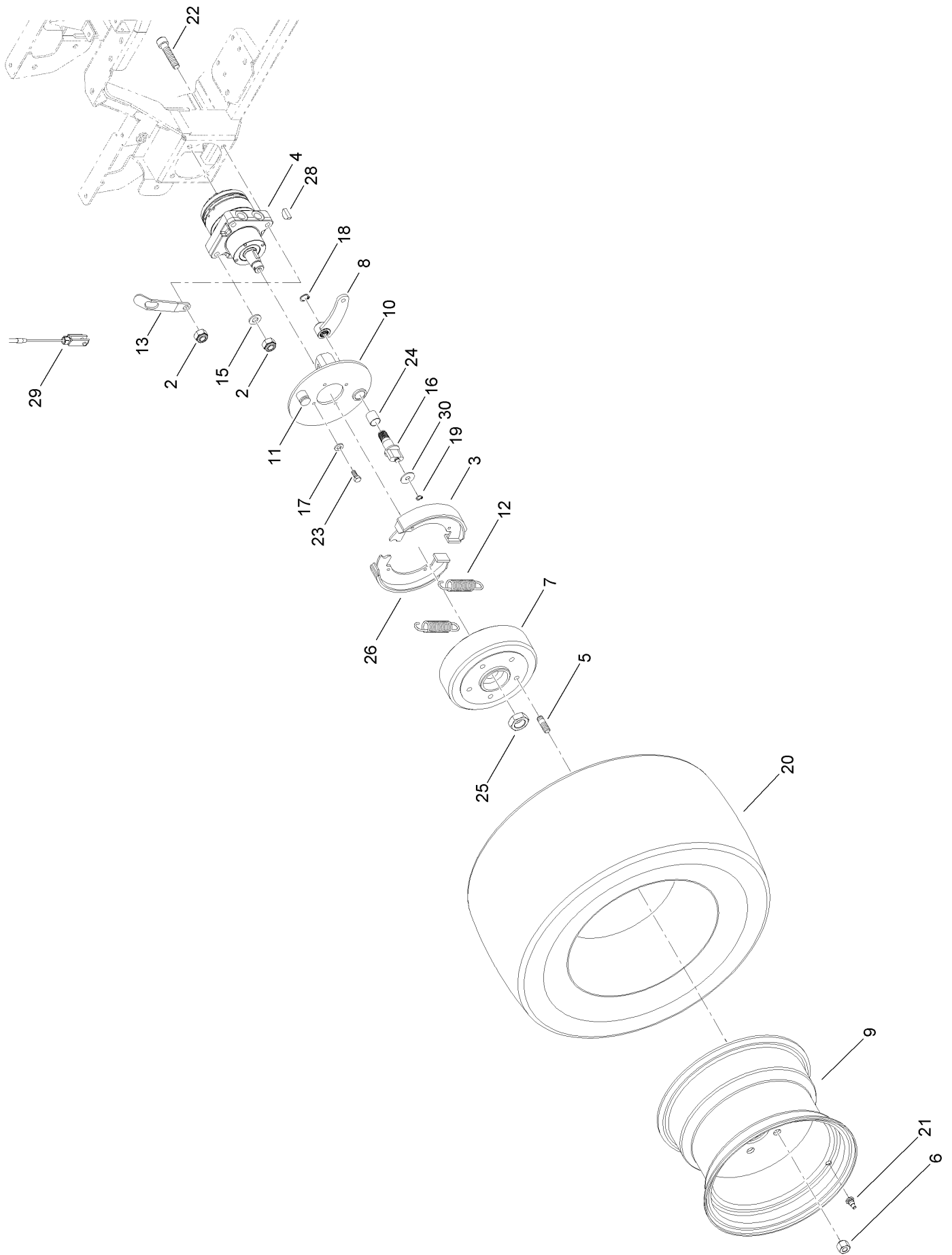


22 Plastic Parts Only

Basket Assembly (continued)

| <i>Ref.</i> | <i>Part Number</i> | <i>Qty.</i> | <i>Description</i> | <i>Ref.</i> | <i>Part Number</i> | <i>Qty.</i> | <i>Description</i> |
|-------------|--------------------|-------------|---------------------------------|-------------|--------------------|-------------|-----------------------|
| 1 | 134-0551 | 3 | Decal | 34 | 134-1019 | 1 | Screw |
| 2 | 134-0658 | 1 | Sieve-Catcher, Grass | 35 | 134-1028 | 2 | Screw |
| 3 | 134-0687 | 1 | Spacer | 36 | 134-1041 | 2 | Nut |
| 4 | 134-0724 | 1 | Stop | 37 | 134-1042 | 3 | Nut |
| 5 | 134-0725 | 1 | Hook | 38 | 134-1044 | 2 | Washer |
| 6 | 134-0727 | 1 | Spring | 39 | 134-1045 | 3 | Washer |
| 7 | 134-0728 | 1 | Hook | 40 | 134-1046 | 1 | Washer |
| 8 | 134-0737 | 1 | Bushing | 41 | 134-1050 | 1 | Washer |
| 9 | 134-0740 | 1 | Spring | 42 | 134-1065 | 1 | Fitting-Grease |
| 10 | 134-0741 | 1 | Support | 44 | 134-1082 | 3 | Nut |
| 11 | 134-0743 | 1 | Pin | 45 | 134-1092 | 3 | Nut |
| 12 | 134-0744 | 1 | Bracket | 46 | 134-1119 | 1 | Screw |
| 13 | 134-0747 | 1 | Rod | 47 | 134-1122 | 1 | Screw |
| 14 | 134-0753 | 1 | Bracket | 48 | 134-1129 | 1 | Pin-Spring |
| 15 | 134-0755 | 1 | Rod-Connecting | 49 | 134-1140 | 1 | Handle |
| 16 | 134-0758 | 1 | Hinge | 50 | 134-1160 | 1 | Collar |
| 17 | 134-0764 | 1 | Guide | 51 | 134-1181 | 1 | Cap-Plastic, Black |
| 18 | 134-0765 | 1 | Screen-Grass Catcher, Inside | 52 | 134-1183 | 1 | Rivet |
| 19 | 134-0825 | 1 | Frame | 53 | 134-1190 | 1 | Rivet |
| 20 | 134-0842 | 1 | Screen-Grass Catcher, Front | 54 | 134-1204 | 1 | Rivet |
| 21 | 134-0843 | 1 | Frame | 55 | 134-1231 | 2 | Washer |
| 22 | 134-0858 | 1 | Catcher-Grass | 56 | 134-1234 | 7 | Washer |
| 23 | 134-0870 | 2 | Chain | 57 | 134-1244 | 3 | Rivet |
| 24 | 134-0871 | 1 | Panel-Plastic, Grass Catcher | 58 | 134-1246 | 1 | Rivet |
| 25 | 134-0875 | 1 | Support-Net | 59 | 134-1273 | 1 | Rivet |
| 26 | 134-0908 | 1 | Plate | 60 | 134-1296 | 1 | Screw |
| 27 | 134-0961 | 1 | Screen-Grass Catcher | 61 | 134-1303 | 1 | Screw |
| 28 | 134-0976 | 1 | Plate | 62 | 134-1304 | 1 | Screw |
| 29 | 134-0978 | 1 | Rail-Cross | 63 | 134-1337 | 1 | Washer |
| 30 | 134-0979 | 1 | Hinge | 64 | 134-1348 | 1 | Grommet |
| 31 | 134-0999 | 1 | Knob | 65 | 134-2972 | 1 | Screw |
| 32 | 134-1008 | 1 | Screw | 66 | 134-2979 | 7 | Washer |
| 33 | 134-1013 | 1 | Screw | 67 | 134-3027 | 6 | Washer |
| | | | | 68 | 134-3124 | 2 | Plate-Logo, Hopper |
| | | | | 69 | 134-3126 | 3 | Washer |
| | | | | 70 | 134-3125 | 1 | Gasket-Screen, Hopper |

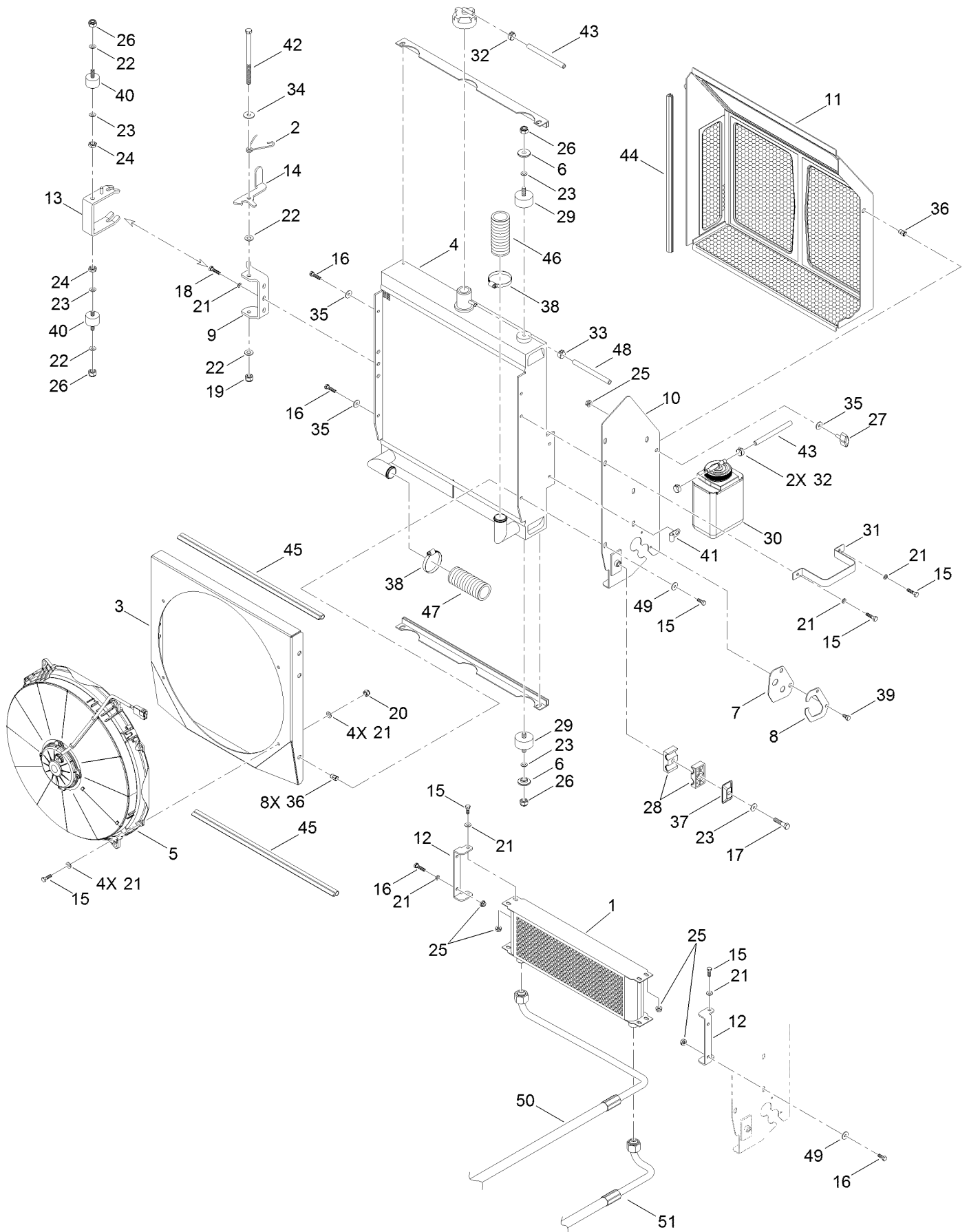
Brakes Assembly



Brakes Assembly (continued)

| <i>Ref.</i> | <i>Part Number</i> | <i>Qty.</i> | <i>Description</i> | <i>Ref.</i> | <i>Part Number</i> | <i>Qty.</i> | <i>Description</i> |
|-------------|--------------------|-------------|----------------------|-------------|--------------------|-------------|---------------------|
| 2 | 134-0561 | 4 | Nut | 17 | 134-1054 | 4 | Washer |
| 3 | 134-0624 | 2 | Shoe-Brake | 18 | 134-1062 | 1 | Ring-Retaining, Int |
| 4 | 134-0666 | 1 | Motor-Hydraulic | 19 | 134-1063 | 1 | Ring-Retaining, Int |
| 5 | 134-0686 | 5 | Stud | 20 | 134-1229 | 1 | Tire-Front |
| 6 | 134-0688 | 5 | Nut-Lug, Wheel | 21 | 134-1261 | 1 | Valve-Tire |
| 7 | 134-0711 | 1 | Drum-Brake | 22 | 134-1298 | 4 | Screw |
| 8 | 134-0714 | 1 | Lever-Brake | 23 | 134-1299 | 4 | Screw |
| 9 | 134-0715 | 1 | Rim-Front Wheel | 24 | 134-1320 | 1 | Bushing |
| 10 | 134-0717 | 1 | Camshaft | 25 | 134-2967 | 1 | Nut |
| 11 | 134-0718 | 1 | Plate-Brake | 26 | 134-2968 | 1 | Brake Caliper |
| 12 | 134-0722 | 2 | Spring | 28 | 134-2970 | 1 | Feather Key |
| 13 | 134-0726 | 1 | Bracket-Cable, Brake | 29 | 134-2971 | 1 | Wire |
| 15 | 134-1047 | 3 | Washer | 30 | 134-1048 | 1 | Washer |
| 16 | 134-1048 | 1 | Washer | | | | |

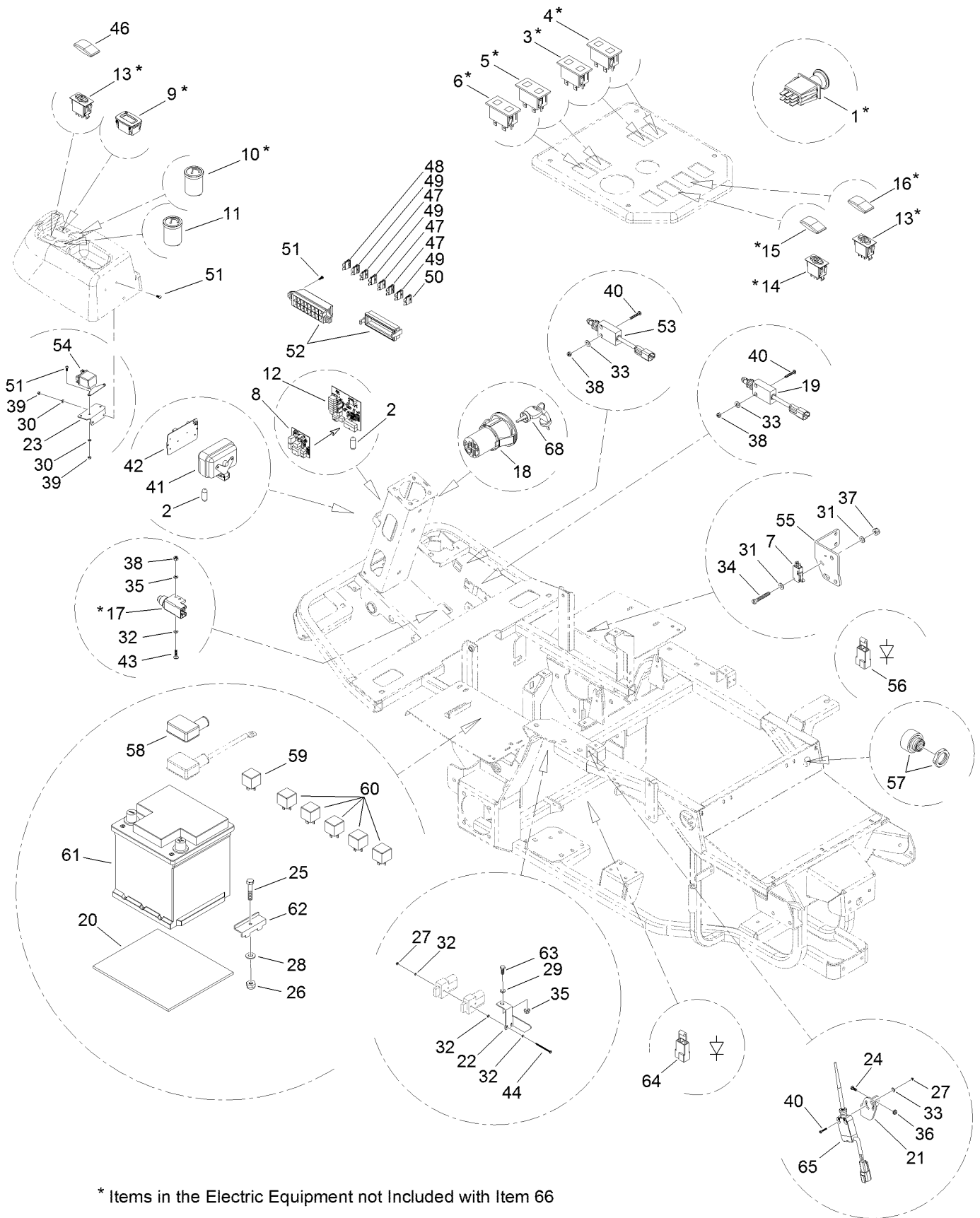
Cooling Assembly



Cooling Assembly (continued)

| <i>Ref.</i> | <i>Part Number</i> | <i>Qty.</i> | <i>Description</i> | <i>Ref.</i> | <i>Part Number</i> | <i>Qty.</i> | <i>Description</i> |
|-------------|--------------------|-------------|--------------------|-------------|--------------------|-------------|--------------------|
| 1 | 134-0625 | 1 | Cooler-Oil | 27 | 134-1148 | 1 | Knob |
| 2 | 134-0640 | 1 | Spring | 28 | 134-1151 | 1 | Collar |
| 3 | 134-0651 | 1 | Conveyor-Blower | 29 | 134-1164 | 2 | Shock Absorber |
| 4 | 134-0659 | 1 | Radiator | 30 | 134-1173 | 1 | Tank |
| 5 | 134-0606 | 1 | Blower | 31 | 134-1174 | 1 | Clamp |
| 6 | 134-0694 | 2 | Bushing | 32 | 134-1199 | 3 | Clamp |
| 7 | 134-0751 | 1 | Gasket | 33 | 134-1201 | 1 | Clamp |
| 8 | 134-0752 | 1 | Frame | 34 | 134-1233 | 1 | Washer |
| 9 | 134-0771 | 1 | Bracket | 35 | 134-1234 | 3 | Washer |
| 10 | 134-0773 | 1 | Guard-Cable | 36 | 134-1257 | 9 | Insert-Threaded |
| 11 | 134-0777 | 1 | Screen-Radiator | 37 | 134-1274 | 1 | Plate-Small |
| 12 | 134-0840 | 2 | Bracket | 38 | 134-1277 | 2 | Clamp |
| 13 | 134-0863 | 1 | Bracket | 39 | 134-1293 | 1 | Screw |
| 14 | 134-0864 | 1 | Bracket | 40 | 134-1346 | 2 | Shock Absorber |
| 15 | 134-1008 | 7 | Screw | 41 | 134-1348 | 1 | Grommet |
| 16 | 134-1009 | 7 | Screw | 42 | 134-2972 | 1 | Screw |
| 17 | 134-1014 | 1 | Screw | 43 | 134-2973 | 2 | Pipe |
| 18 | 134-1027 | 1 | Screw | 44 | 134-2974 | 1 | Gasket |
| 19 | 134-1038 | 1 | Nut | 45 | 134-2975 | 2 | Gasket |
| 20 | 134-1042 | 1 | Nut | 46 | 134-2976 | 1 | Pipe |
| 21 | 134-1044 | 7 | Washer | 47 | 134-2977 | 1 | Pipe |
| 22 | 134-1045 | 4 | Washer | 48 | 134-2978 | 1 | Pipe |
| 23 | 134-1054 | 4 | Washer | 49 | 134-2979 | 2 | Washer |
| 24 | 134-1078 | 2 | Nut | 50 | 134-2980 | 1 | Hydraulic Hose |
| 25 | 134-1084 | 3 | Nut | 51 | 134-2981 | 1 | Hydraulic Hose |
| 26 | 134-1092 | 4 | Nut | | | | |

Electric Equipment Assembly



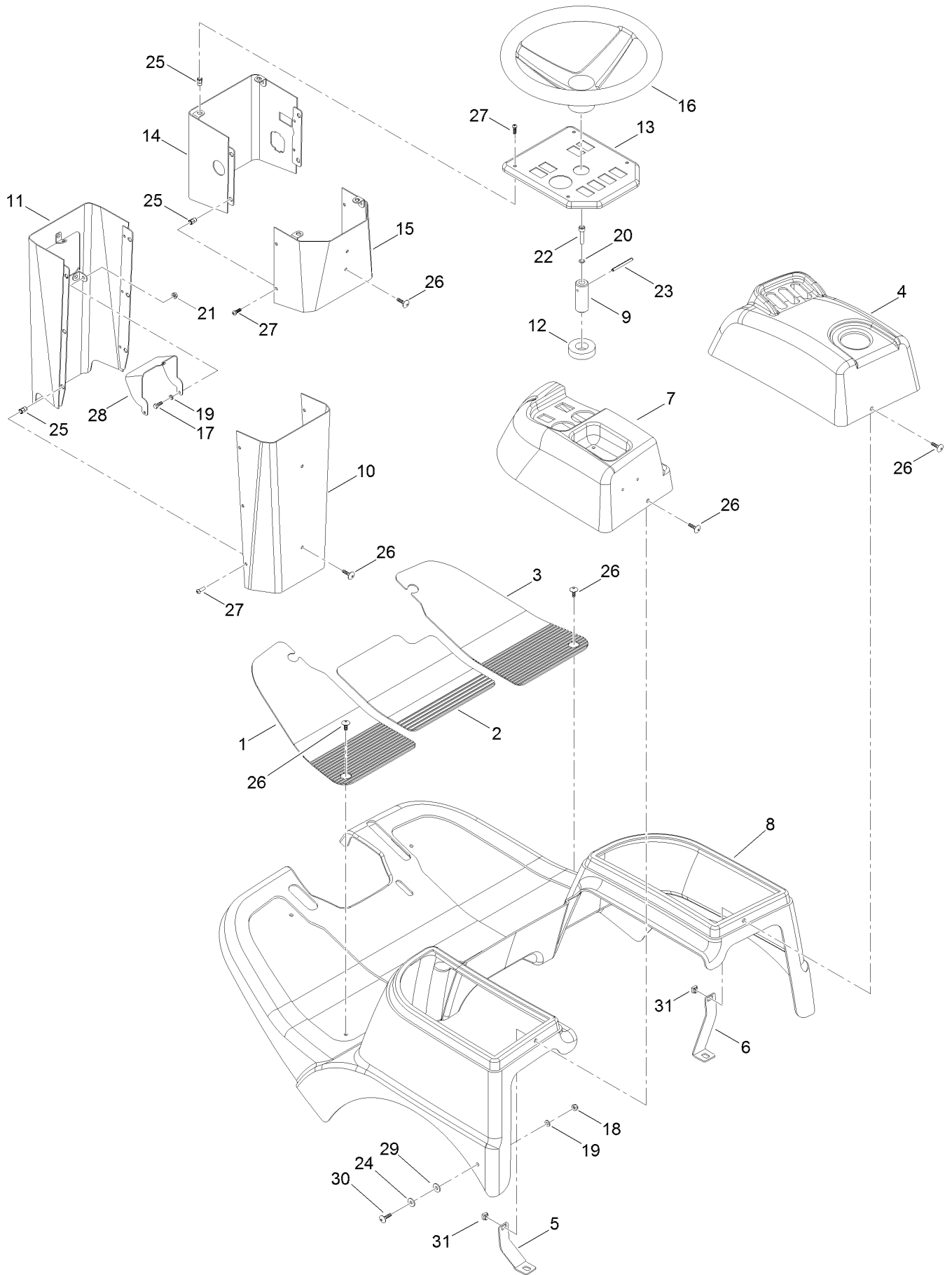
* Items in the Electric Equipment not Included with Item 66

Electric Equipment Assembly (continued)

| <i>Ref.</i> | <i>Part Number</i> | <i>Qty.</i> | <i>Description</i> | <i>Ref.</i> | <i>Part Number</i> | <i>Qty.</i> | <i>Description</i> |
|-------------|--------------------|-------------|---|-------------|--------------------|-------------|---------------------------|
| 1 | 93-9999 | 1 | Switch-PTO | 32 | 134-1052 | 4 | Washer |
| 2 | 111-9822 | 2 | Ferrit-Suppression, E M C | 33 | 134-1053 | 3 | Washer |
| 3 | 122-0332 | 1 | Light-Indicator, Low Beam/Work Light | 34 | 134-1077 | 1 | Screw |
| 4 | 122-0333 | 1 | Light-Indicator, Hopper Full/Park | 35 | 134-1082 | 1 | Nut |
| 5 | 122-0342 | 1 | Light-Indicator, Oil Pressure/Air Filter | 36 | 134-1084 | 1 | Nut |
| 6 | 122-0334 | 1 | Light-Indicator, Glow/Battery | 37 | 134-1085 | 1 | Nut |
| 7 | 134-0586 | 1 | Microswitch | 38 | 134-1093 | 3 | Nut |
| 8 | 134-0597 | 1 | Control Unit-Light, Electric | 39 | 134-1094 | 2 | Nut |
| 9 | 134-0598 | 1 | Meter-Hour | 40 | 134-1113 | 3 | Screw |
| 10 | 134-0603 | 1 | Indicator-Fuel | 41 | 134-1280 | 1 | Lamp-Front |
| 11 | 134-0604 | 1 | Indicator-Temperature | 42 | 134-1281 | 1 | Bulb |
| 12 | 134-0605 | 1 | Control Unit-Machine, Electronic | 43 | 134-1307 | 1 | Screw |
| 13 | 134-0609 | 2 | Switch | 44 | 134-1315 | 1 | Screw |
| 14 | 134-0610 | 2 | Switch | 46 | 134-2982 | 1 | Switch |
| 15 | 134-0611 | 1 | Cover-Button, Sense Inverting/Fan Rot | 47 | 134-2983 | 4 | Fuse 5A |
| 16 | 134-0612 | 1 | Cover-Lock Button, Differential | 48 | 134-2984 | 1 | Fuse 30A |
| 17 | 134-0614 | 1 | Microswitch-Brake | 49 | 134-2985 | 3 | Fuse 15A |
| 18 | 134-0615 | 1 | Switch-Ignition | 50 | 134-2986 | 1 | Fuse |
| 19 | 134-0620 | 1 | Microswitch-Forward | 51 | 134-2987 | 2 | Screw |
| 20 | 134-0720 | 1 | Bushing-Plastic | 52 | 134-2988 | 1 | Box-Fuse |
| 21 | 134-0880 | 1 | Bracket | 53 | 134-2989 | 1 | Swtch-Micro |
| 22 | 134-0890 | 1 | Bracket | 54 | 134-2990 | 1 | Glow Relay ASM |
| 23 | 134-0921 | 1 | Bracket | 55 | 134-0952 | 1 | Bracket |
| 24 | 134-1008 | 1 | Screw | 56 | 134-2992 | 1 | Diode-Engine |
| 25 | 134-1027 | 1 | Screw | 57 | 134-2993 | 1 | Solenoid |
| 26 | 134-1038 | 1 | Nut | 58 | 134-2994 | 1 | Guard |
| 27 | 134-1040 | 2 | Nut | 59 | 134-2995 | 1 | Relay |
| 28 | 134-1045 | 1 | Washer | 60 | 134-2996 | 5 | Relay |
| 29 | 134-1047 | 1 | Washer | 61 | 134-2997 | 1 | Battery |
| 30 | 134-1049 | 2 | Washer | 62 | 134-2998 | 1 | Plate-Small |
| 31 | 134-1050 | 2 | Washer | 63 | 134-2999 | 1 | Screw |
| | | | | 64 | 134-3000 | 1 | Diode-Clutch |
| | | | | 65 | 134-3001 | 1 | Micro-Open, Grass Catcher |
| | | | | 66 | 134-3002 | 1 | Electric System ● |
| | | | | 67 | 134-3113 | 1 | Main Wiring Harness ● |
| | | | | 68 | 134-1285 | 1 | Key-Ignition |

● Not illustrated

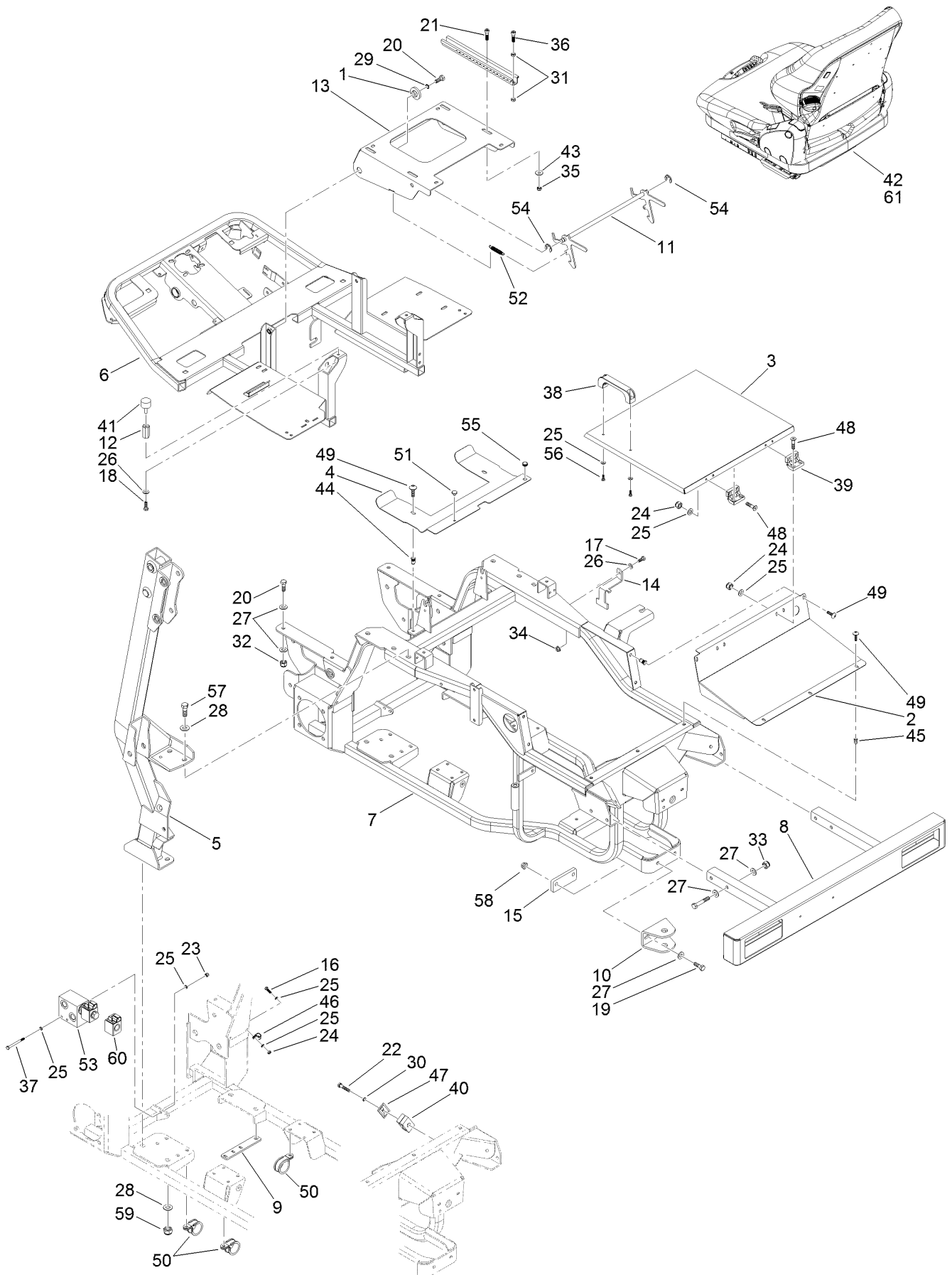
Body Assembly



Body Assembly (continued)

| <i>Ref.</i> | <i>Part Number</i> | <i>Qty.</i> | <i>Description</i> | <i>Ref.</i> | <i>Part Number</i> | <i>Qty.</i> | <i>Description</i> |
|-------------|--------------------|-------------|--------------------|-------------|--------------------|-------------|--------------------|
| 1 | 134-0644 | 1 | Pad-Footboard | 17 | 134-1007 | 1 | Screw |
| 2 | 134-0645 | 1 | Pad-Footboard | 18 | 134-1041 | 1 | Nut |
| 3 | 134-0646 | 1 | Pad-Footboard | 19 | 134-1044 | 1 | Washer |
| 4 | 134-0832 | 1 | Dashboard | 20 | 134-1054 | 1 | Washer |
| 5 | 134-0885 | 1 | Bracket | 21 | 134-1084 | 1 | Nut |
| 6 | 134-0886 | 1 | Bracket | 22 | 134-1122 | 1 | Screw |
| 7 | 134-0927 | 1 | Dashboard | 23 | 134-1135 | 1 | Plug |
| 8 | 134-0928 | 1 | Fairing | 24 | 134-1234 | 1 | Washer |
| 9 | 134-0937 | 1 | Bushing | 25 | 134-1257 | 3 | Insert-Threaded |
| 10 | 134-0945 | 1 | Support | 26 | 134-1304 | 6 | Screw |
| 11 | 134-0947 | 1 | Support | 27 | 134-1311 | 3 | Screw |
| 12 | 134-0950 | 1 | Washer | 28 | 134-0946 | 1 | Support-Column |
| 13 | 134-0954 | 1 | Dashboard | 29 | 134-3003 | 1 | Washer |
| 14 | 134-0955 | 1 | Support | 30 | 134-3004 | 1 | Screw |
| 15 | 134-0956 | 1 | Support | 31 | 134-3005 | 1 | Nut-Cage |
| 16 | 134-0958 | 1 | Wheel-Steering | | | | |

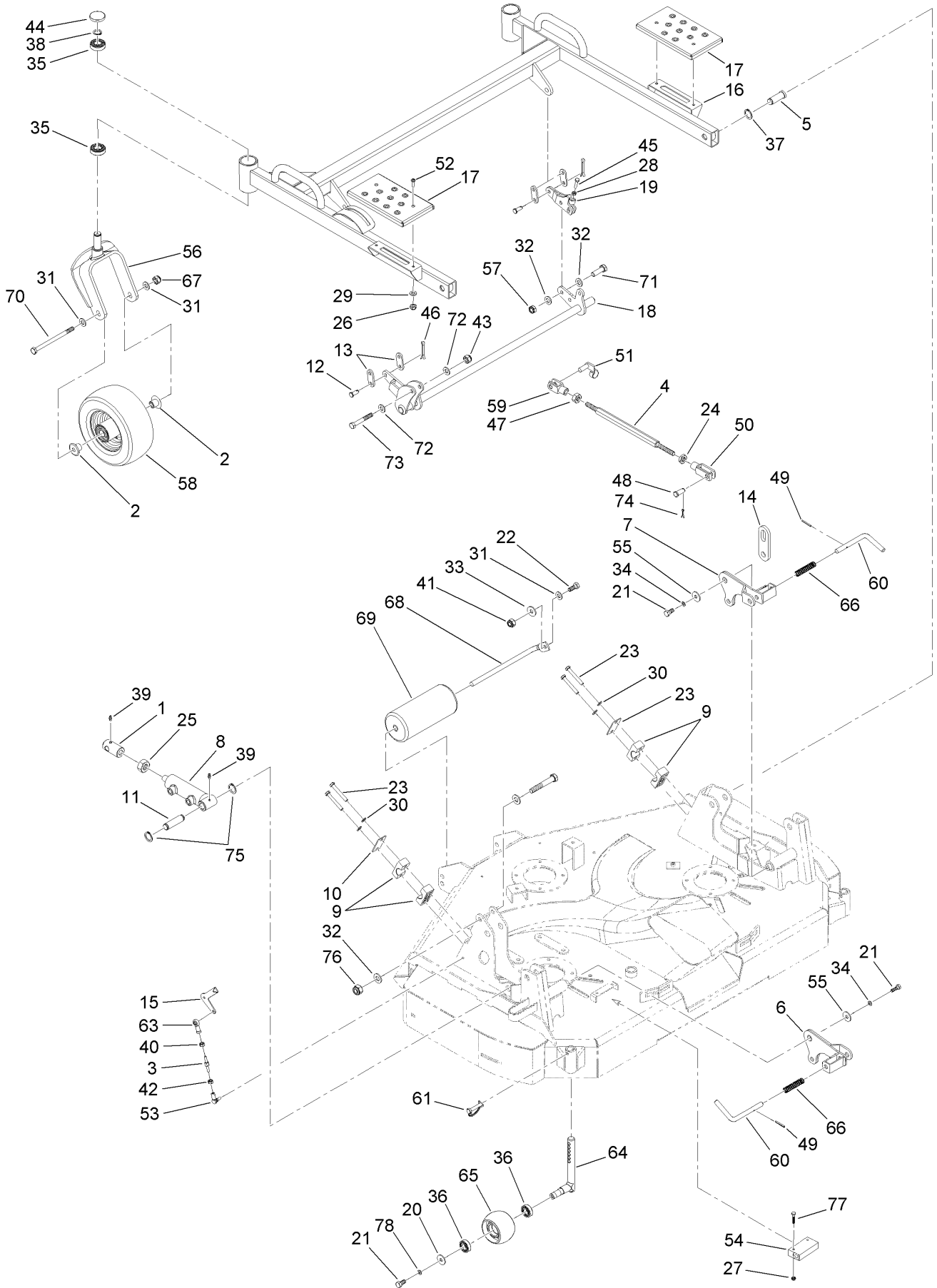
Frame Assembly



Frame Assembly (continued)

| <i>Ref.</i> | <i>Part Number</i> | <i>Qty.</i> | <i>Description</i> | <i>Ref.</i> | <i>Part Number</i> | <i>Qty.</i> | <i>Description</i> |
|-------------|--------------------|-------------|---------------------|-------------|--------------------|-------------|--------------------------|
| 1 | 134-0689 | 1 | Bushing | 32 | 134-1079 | 1 | Nut |
| 2 | 134-0796 | 1 | Cover-Engine, Rear | 33 | 134-1081 | 1 | Nut |
| 3 | 134-0797 | 2 | Hood | 34 | 134-1082 | 1 | Nut |
| 4 | 134-0798 | 1 | Cover-Engine, Front | 35 | 134-1092 | 1 | Nut |
| 5 | 134-0810 | 1 | Bracket | 36 | 134-1115 | 1 | Screw |
| 6 | 134-0837 | 1 | Footrest | 37 | 134-1116 | 1 | Screw |
| 7 | 134-0851 | 1 | Frame | 38 | 134-1140 | 1 | Handle |
| 8 | 134-0874 | 1 | Bumper | 39 | 134-1147 | 1 | Hinge-Plastic |
| 9 | 134-0891 | 1 | Bracket | 40 | 134-1152 | 1 | Collar |
| 10 | 134-0904 | 1 | Bar-Tow | 41 | 134-1163 | 1 | Pad-Rubber |
| 11 | 134-0911 | 1 | Hook-Seat | 42 | 134-1171 | 1 | Seat-Grammer |
| 12 | 134-0912 | 1 | Column | 43 | 134-1233 | 1 | Washer |
| 13 | 134-0941 | 1 | Support-Seat | 44 | 134-1253 | 1 | Insert-Threaded |
| 14 | 134-0974 | 1 | Bracket | 45 | 134-1257 | 1 | Insert-Threaded |
| 15 | 134-0975 | 1 | Bracket | 46 | 134-1262 | 1 | Clamp |
| 16 | 134-1009 | 1 | Screw | 47 | 134-1274 | 1 | Plate-Small |
| 17 | 134-1011 | 1 | Screw | 48 | 134-1297 | 2 | Screw |
| 18 | 134-1015 | 1 | Screw | 49 | 134-1304 | 3 | Screw |
| 19 | 134-1019 | 1 | Screw | 50 | 134-1319 | 2 | Clamp |
| 20 | 134-1023 | 2 | Screw | 51 | 134-1326 | 1 | Magnet |
| 21 | 134-1026 | 1 | Screw | 52 | 134-1353 | 1 | Spring |
| 22 | 134-1027 | 1 | Screw | 53 | 134-0584 | 1 | Valve-Lock, Differential |
| 23 | 134-1041 | 1 | Nut | 54 | 134-2964 | 2 | Ring-Snap |
| 24 | 134-1042 | 3 | Nut | 55 | 134-3007 | 1 | Plug-Rubber |
| 25 | 134-1044 | 7 | Washer | 56 | 134-3008 | 2 | Screw |
| 26 | 134-1045 | 2 | Washer | 57 | 134-2999 | 1 | Screw |
| 27 | 134-1046 | 4 | Washer | 58 | 134-3009 | 1 | Nut |
| 28 | 134-1047 | 2 | Washer | 59 | 134-2969 | 1 | Nut |
| 29 | 134-1051 | 1 | Washer | 60 | 134-3095 | 1 | Hydraulic Comp |
| 30 | 134-1054 | 1 | Washer | 61 | 134-3967 | 1 | Seat-Switch |
| 31 | 134-1078 | 2 | Nut | | | | |

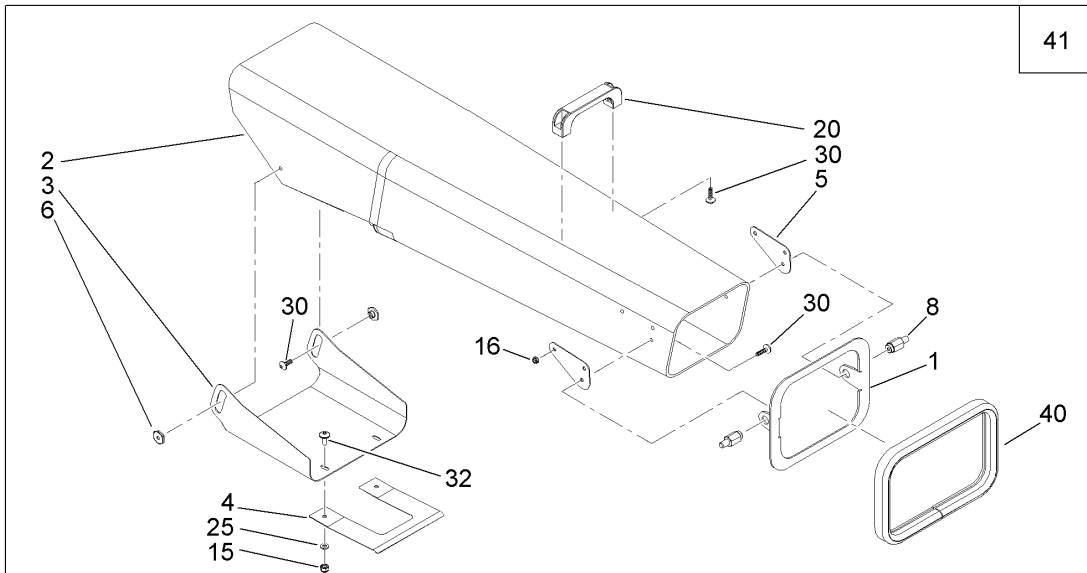
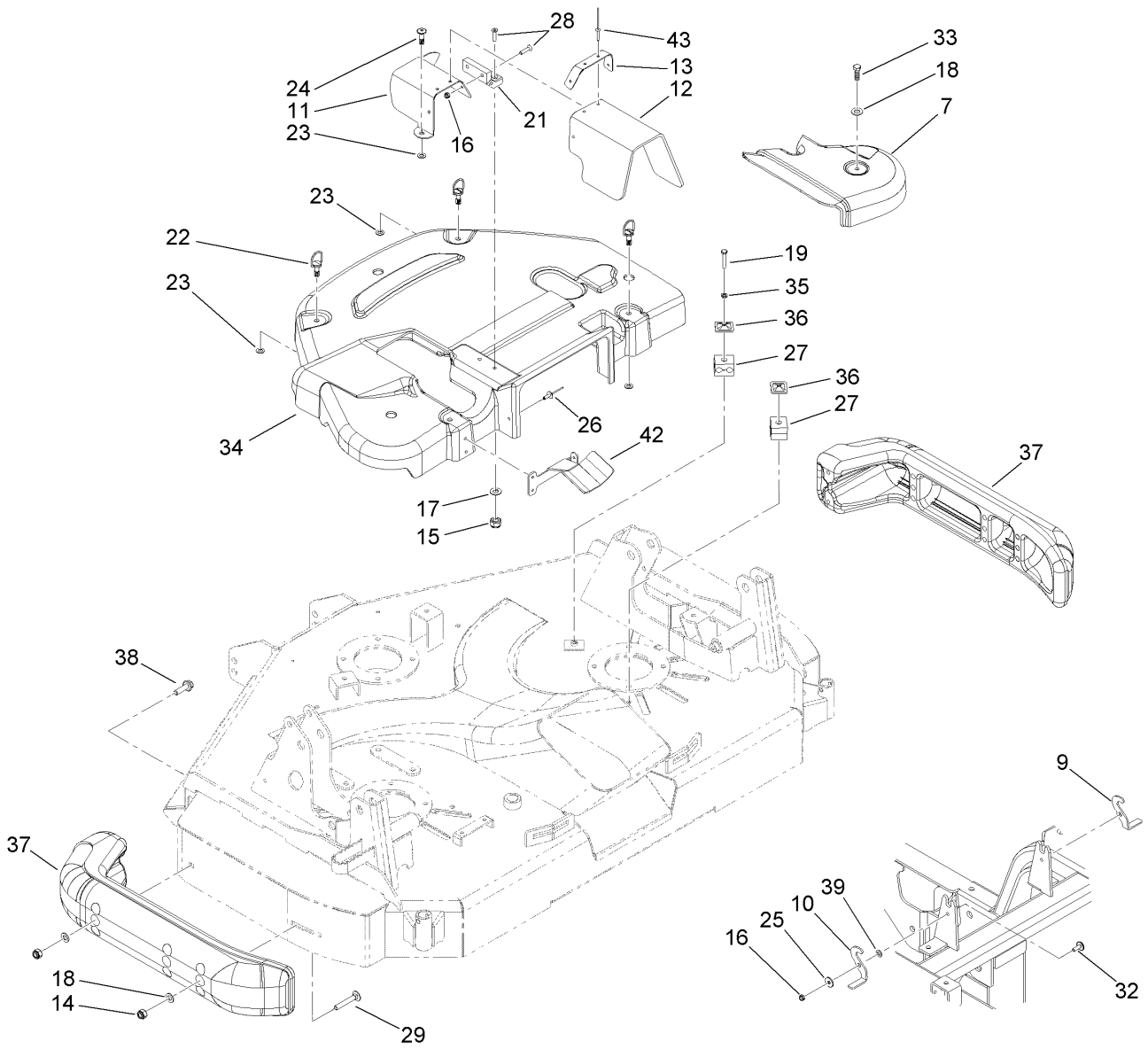
Flat Frame Assembly



Flat Frame Assembly (continued)

| <i>Ref.</i> | <i>Part Number</i> | <i>Qty.</i> | <i>Description</i> | <i>Ref.</i> | <i>Part Number</i> | <i>Qty.</i> | <i>Description</i> |
|-------------|--------------------|-------------|---------------------|-------------|--------------------|-------------|--------------------|
| 1 | 134-0692 | 1 | Support | 40 | 134-1080 | 1 | Nut |
| 2 | 134-0731 | 2 | Bushing | 41 | 134-1081 | 1 | Nut |
| 3 | 134-0738 | 1 | Indicator-HOC | 42 | 134-1083 | 1 | Nut |
| 4 | 134-0739 | 1 | Rod | 43 | 134-1090 | 1 | Nut |
| 5 | 134-0742 | 1 | Pin | 44 | 134-1097 | 1 | Cap |
| 6 | 134-0806 | 1 | Lever | 45 | 134-1114 | 1 | Screw |
| 7 | 134-0807 | 1 | Lever | 46 | 134-1131 | 4 | Pin-Spring |
| 8 | 134-0826 | 1 | Cylinder-HYD | 47 | 134-1165 | 1 | Nut |
| 9 | 134-0829 | 2 | Block | 48 | 134-1182 | 1 | Pin |
| 10 | 134-0856 | 2 | Plate-Small | 49 | 134-1205 | 2 | Plug-Spirol |
| 11 | 134-0859 | 1 | Pin | 50 | 134-1251 | 1 | Fork |
| 12 | 134-0865 | 1 | Pin | 51 | 134-1252 | 1 | Clip |
| 13 | 134-0901 | 1 | Plate-Small | 52 | 134-1304 | 1 | Screw |
| 14 | 134-0902 | 1 | Plate-Small | 53 | 134-1327 | 1 | Articulation |
| 15 | 134-0903 | 1 | Indicator-HOC | 54 | 134-1335 | 1 | Valve-Lock |
| 16 | 134-0935 | 1 | Frame | 55 | 134-1355 | 2 | Washer |
| 17 | 134-0936 | 2 | Footrest | 56 | 134-0662 | 1 | Yoke-Deck, Cutter |
| 18 | 134-0944 | 1 | Bracket | 57 | 134-0561 | 1 | Nut |
| 19 | 134-0951 | 1 | Bracket | 58 | 134-1363 | 1 | Wheel |
| 20 | 134-0997 | 1 | Washer | 59 | 134-0616 | 1 | Yoke-LH |
| 21 | 134-1011 | 3 | Screw | 60 | 134-0660 | 1 | Pin-Unhooking |
| 22 | 134-1023 | 1 | Screw | 61 | 134-0593 | 1 | Pin |
| 23 | 134-1024 | 2 | Screw | 63 | 134-0592 | 1 | Head-Joint |
| 24 | 134-1035 | 1 | Nut | 64 | 134-0642 | 1 | Pin |
| 25 | 134-1037 | 1 | Nut | 65 | 134-0639 | 1 | Wheel- Anti Scalp |
| 26 | 134-1041 | 1 | Nut | 66 | 134-0641 | 1 | Spring |
| 27 | 134-1042 | 1 | Nut | 67 | 134-1079 | 1 | Nut |
| 28 | 134-1043 | 1 | Nut | 68 | 68-6840 | 1 | Shaft-Roller |
| 29 | 134-1044 | 1 | Washer | 69 | 68-6710 | 1 | Roller |
| 30 | 134-1045 | 2 | Washer | 70 | 134-3010 | 1 | Screw |
| 31 | 134-1046 | 3 | Washer | 71 | 134-3011 | 1 | Screw |
| 32 | 134-1047 | 3 | Washer | 72 | 134-3012 | 3 | Washer |
| 33 | 134-1048 | 1 | Washer | 73 | 134-3013 | 1 | Screw |
| 34 | 134-1054 | 2 | Washer | 74 | 134-2957 | 1 | Pin-Split |
| 35 | 134-1055 | 1 | Bearing | 75 | 134-3016 | 2 | Circlip |
| 36 | 134-1056 | 2 | Bearing | 76 | 134-3017 | 1 | Screw |
| 37 | 134-1059 | 1 | Ring-Retaining, Int | 77 | 134-3019 | 1 | Screw |
| 38 | 134-1060 | 1 | Ring-Retaining, Int | 78 | 134-3012 | 1 | Washer |
| 39 | 134-1065 | 2 | Fitting-Grease | | | | |

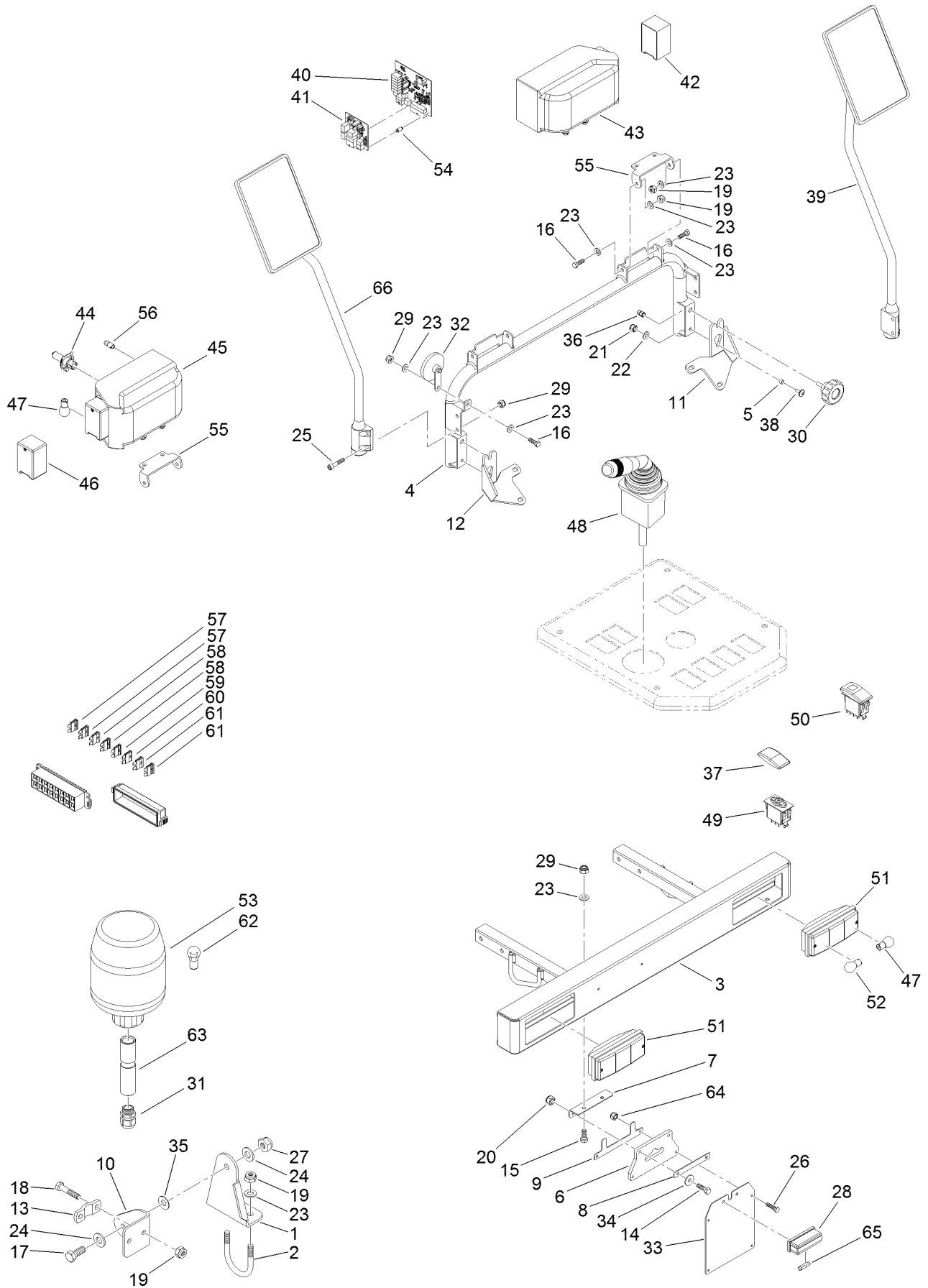
Grass Conveyor Hood Assembly



Grass Conveyor Hood Assembly (continued)

| <i>Ref.</i> | <i>Part Number</i> | <i>Qty.</i> | <i>Description</i> | <i>Ref.</i> | <i>Part Number</i> | <i>Qty.</i> | <i>Description</i> |
|-------------|--------------------|-------------|------------------------|-------------|--------------------|-------------|----------------------|
| 1 | 134-0793 | 1 | Bracket | 22 | 134-1191 | 1 | Pin |
| 2 | 134-0799 | 1 | Duct-Grass | 23 | 134-1192 | 3 | Washer |
| 3 | 134-0800 | 1 | Guard Plate | 24 | 134-1196 | 1 | Pin |
| 4 | 134-0801 | 1 | Plate | 25 | 134-1234 | 2 | Washer |
| 5 | 134-0802 | 1 | Bracket | 26 | 134-1246 | 1 | Rivet |
| 6 | 134-0803 | 1 | Pin | 27 | 134-1248 | 2 | Collar |
| 7 | 134-0831 | 1 | Cover | 28 | 134-1297 | 1 | Screw |
| 8 | 134-0882 | 1 | Pin | 29 | 134-1300 | 1 | Screw |
| 9 | 134-0917 | 1 | Hook-Chute, RH | 30 | 134-1314 | 3 | Screw |
| 10 | 134-0918 | 1 | Hook-Chute, LH | 32 | 134-1304 | 1 | Screw |
| 11 | 134-0962 | 1 | Guard-Cable | 33 | 134-3021 | 1 | Screw |
| 12 | 134-0963 | 1 | Grommet-Rubber, Fender | 34 | 134-0656 | 1 | Fairing-Deck, Cutter |
| 13 | 134-0964 | 1 | Bracket | 35 | 134-3023 | 1 | Washer |
| 14 | 134-1038 | 1 | Nut | 36 | 134-3024 | 2 | Small Plate |
| 15 | 134-1041 | 2 | Nut | 37 | 112-1479 | 2 | Skid-Bumper, Deck |
| 16 | 134-1042 | 3 | Nut | 38 | 9136144 | 1 | Screw-HWHTF |
| 17 | 134-1044 | 1 | Washer | 39 | 134-3027 | 1 | Washer |
| 18 | 134-1045 | 2 | Washer | 40 | 134-3028 | 1 | Rubber Seal-Chute |
| 19 | 134-1069 | 1 | Screw | 41 | 134-3029 | 1 | Grass Conveyor ASM |
| 20 | 134-1140 | 1 | Handle | 42 | 134-0966 | 1 | Protector-Hose |
| 21 | 134-1147 | 1 | Hinge-Plastic | 43 | 134-1240 | 4 | Rivet |

Lighting Assembly

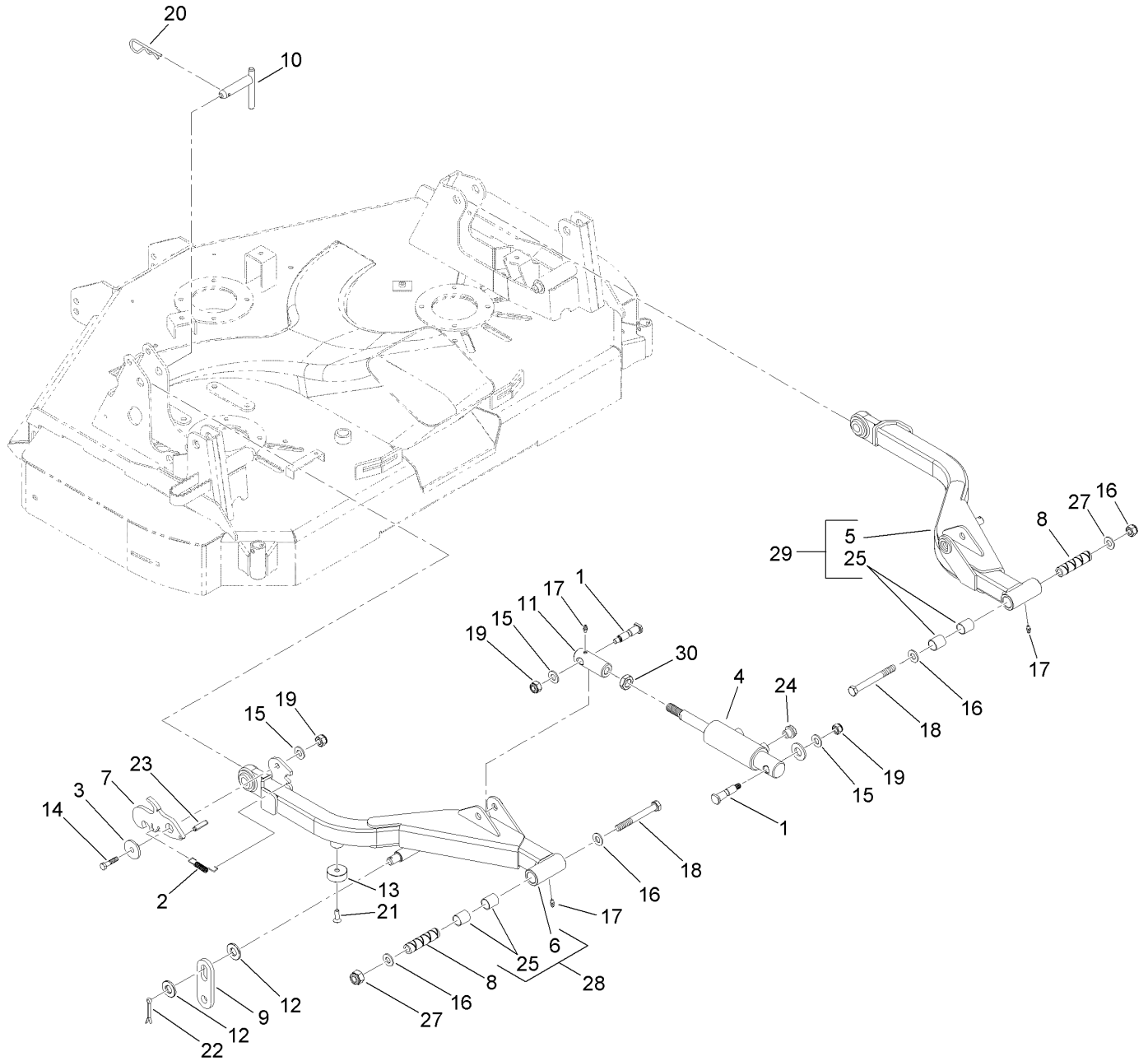


Lighting Assembly (continued)

| <i>Ref.</i> | <i>Part Number</i> | <i>Qty.</i> | <i>Description</i> | <i>Ref.</i> | <i>Part Number</i> | <i>Qty.</i> | <i>Description</i> |
|-------------|--------------------|-------------|-----------------------|-------------|--------------------|-------------|-------------------------------------|
| 1 | 134-0748 | 1 | Bracket | 36 | 134-1260 | 1 | Insert-Threaded |
| 2 | 134-0749 | 1 | Jumper-Turn Light | 37 | 134-1290 | 1 | Switch |
| 3 | 134-0874 | 1 | Bumper | 38 | 134-1304 | 1 | Screw |
| 4 | 134-0876 | 1 | Bar-Lights, Front | 39 | 134-1317 | 1 | Mirror-Rear View |
| 5 | 134-0877 | 1 | Spacer | 40 | 134-0605 | 1 | Control Unit-Machine, Electronic |
| 6 | 134-0922 | 1 | Plate-License, Rubber | 41 | 134-0597 | 1 | Control Unit-Light, Electric |
| 7 | 134-0923 | 1 | Bracket | 42 | 134-0668 | 1 | Indicator-RH |
| 8 | 134-0924 | 1 | Bracket | 43 | 134-0588 | 1 | Headlight-RH |
| 9 | 134-0925 | 1 | Bracket | 44 | 134-0590 | 1 | Bulb-Light, Front |
| 10 | 134-0972 | 1 | Bracket | 45 | 134-0589 | 1 | Headlight-LH |
| 11 | 134-0992 | 1 | Bracket | 46 | 134-0669 | 1 | Indicator-LH |
| 12 | 134-0993 | 1 | Bracket | 47 | 134-0566 | 1 | Bulb-Indicator, Front |
| 13 | 134-1000 | 1 | Plate-Small | 48 | 134-0613 | 1 | Signal-Lights, Warning |
| 14 | 134-1009 | 1 | Screw | 49 | 134-0609 | 1 | Switch |
| 15 | 134-1011 | 1 | Screw | 50 | 134-0608 | 1 | Switch-Emergency |
| 16 | 134-1015 | 3 | Screw | 51 | 134-0564 | 1 | Tail Light |
| 17 | 134-1018 | 1 | Screw | 52 | 134-0565 | 1 | Bulb-Light, Front |
| 18 | 134-1027 | 1 | Screw | 53 | 134-0587 | 1 | Beacon-Rotating |
| 19 | 134-1038 | 3 | Nut | 54 | 134-3034 | 4 | Screw |
| 20 | 134-1041 | 1 | Nut | 55 | 134-3035 | 2 | Bracket |
| 21 | 134-1042 | 1 | Nut | 56 | 134-3036 | 1 | Bulb |
| 22 | 134-1044 | 1 | Washer | 57 | 134-2983 | 2 | Fuse 5A |
| 23 | 134-1045 | 1 | Washer | 58 | 134-3037 | 1 | Fuse |
| 24 | 134-1046 | 1 | Washer | 59 | 134-3038 | 2 | Fuse |
| 25 | 134-1068 | 1 | Screw | 60 | 134-2985 | 1 | Fuse 15A |
| 26 | 134-1074 | 1 | Screw | 61 | 134-2986 | 2 | Fuse |
| 27 | 134-1081 | 1 | Nut | 62 | 134-3042 | 1 | Bulb |
| 28 | 134-1089 | 1 | Lamp-License Plate | 63 | 134-3043 | 1 | Pipe |
| 29 | 134-1092 | 3 | Nut | 64 | 134-3044 | 1 | Nut |
| 30 | 134-1178 | 1 | Knob | 65 | 134-3045 | 1 | Bulb |
| 31 | 134-1223 | 1 | Fitting-Union | 66 | 134-1276 | 1 | Mirror-Rear View |
| 32 | 134-1224 | 1 | Horn | 67 | 134-3114 | 1 | Light Harness ● |
| 33 | 134-1226 | 1 | Plate-Support | 68 | 134-3117 | 1 | Wiring Harness-Lights ● |
| 34 | 134-1234 | 1 | Washer | | | | |
| 35 | 134-1237 | 1 | Washer-Belleville | | | | |

● Not illustrated

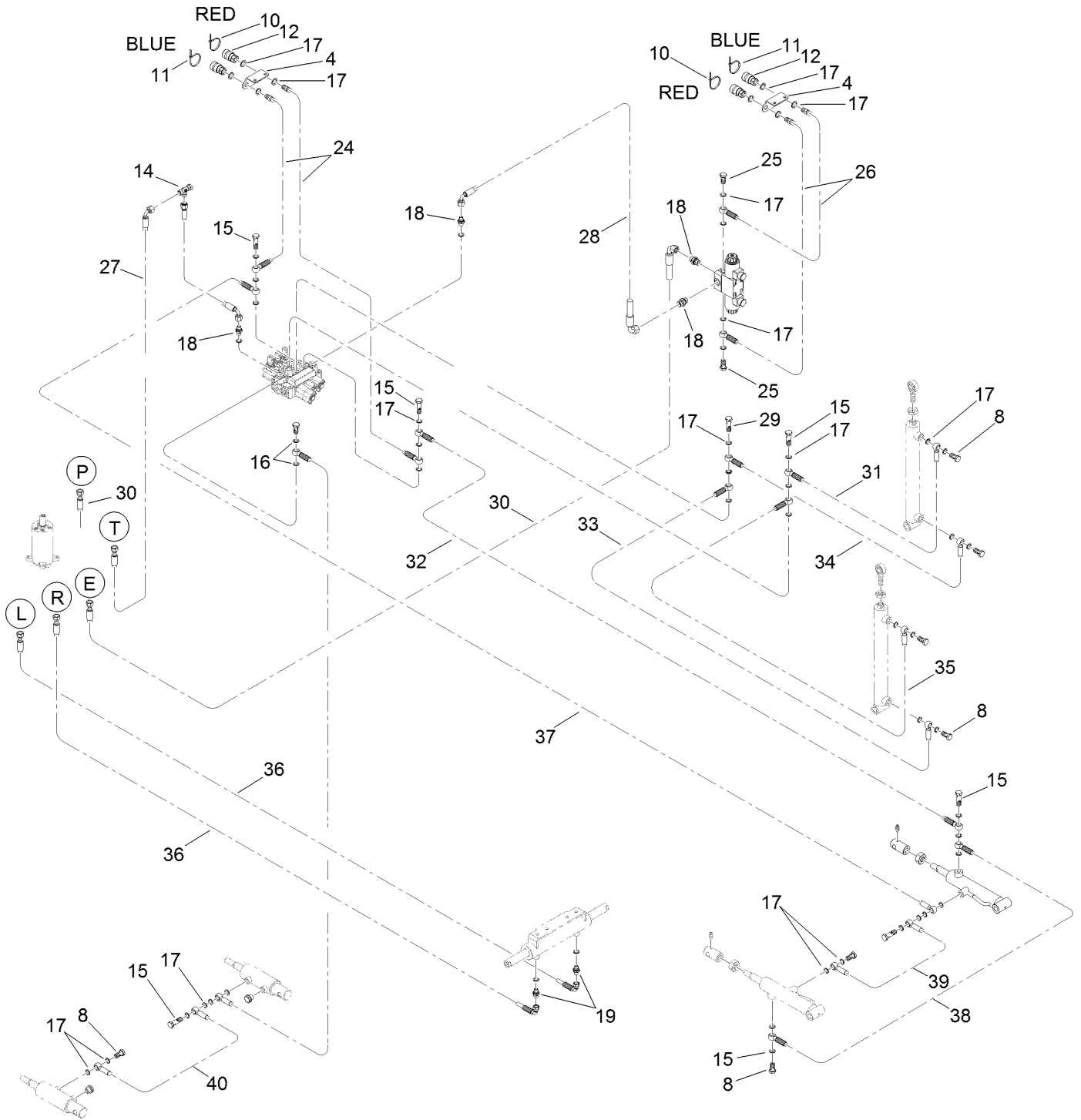
Lift Arms Assembly



Lift Arms Assembly (continued)

| <i>Ref.</i> | <i>Part Number</i> | <i>Qty.</i> | <i>Description</i> | <i>Ref.</i> | <i>Part Number</i> | <i>Qty.</i> | <i>Description</i> |
|-------------|--------------------|-------------|-------------------------|-------------|--------------------|-------------|--------------------|
| 1 | 134-0693 | 2 | Pin | 16 | 134-1047 | 4 | Washer |
| 2 | 134-0695 | 1 | Spring | 17 | 134-1065 | 3 | Fitting-Grease |
| 3 | 134-0710 | 1 | Bushing | 18 | 134-1075 | 2 | Screw |
| 4 | 134-0838 | 2 | Cylinder-HYD, Deck Lift | 19 | 134-1081 | 3 | Nut |
| 5 | 134-0852 | 1 | Arm-Lift, RH | 20 | 134-1098 | 1 | Pin-Spring |
| 6 | 134-0853 | 1 | Arm-Lift, LH | 21 | 134-1121 | 1 | Screw |
| 7 | 134-0881 | 1 | Lever | 22 | 134-1131 | 1 | Pin-Spring |
| 8 | 134-0899 | 2 | Bushing | 23 | 134-1136 | 1 | Plug-Spirol |
| 9 | 134-0902 | 1 | Plate-Small | 24 | 134-1153 | 1 | Cap-Breather |
| 10 | 134-0915 | 1 | Pin | 25 | 134-1187 | 3 | Bushing |
| 11 | 134-0930 | 1 | Support | 27 | 134-0561 | 1 | Nut |
| 12 | 134-0977 | 2 | Washer-Plastic | 28 | 134-3048 | 1 | Lift Arm ASM LH |
| 13 | 134-0990 | 1 | Washer-Rubber | 29 | 134-3046 | 1 | Lift Arm ASM RH |
| 14 | 134-1019 | 1 | Screw | 30 | 134-3115 | 1 | Nut |
| 15 | 134-1046 | 3 | Washer | | | | |

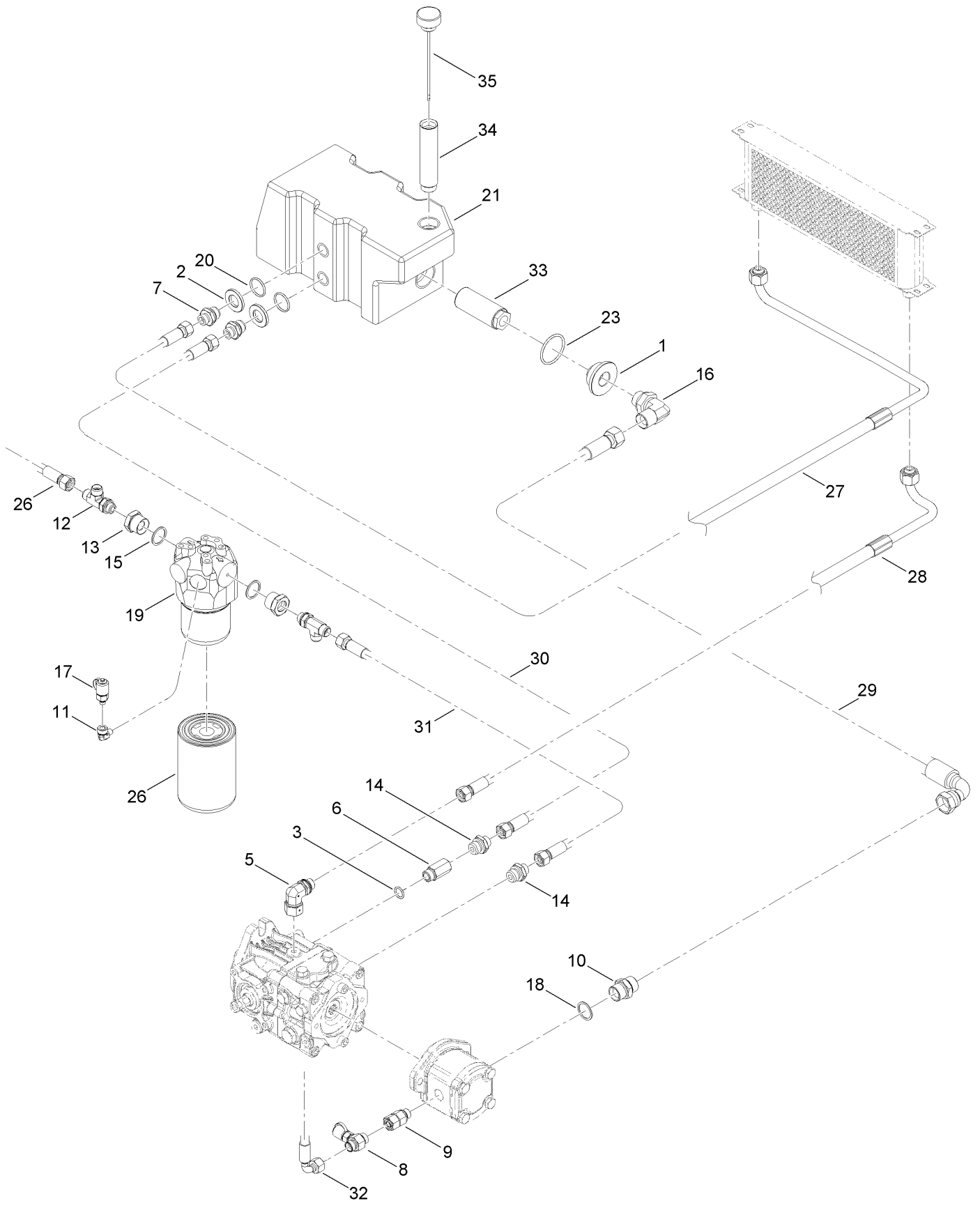
Lubrication Service Assembly



Lubrication Service Assembly (continued)

| <i>Ref.</i> | <i>Part Number</i> | <i>Qty.</i> | <i>Description</i> | <i>Ref.</i> | <i>Part Number</i> | <i>Qty.</i> | <i>Description</i> |
|-------------|--------------------|-------------|-----------------------|-------------|--------------------|-------------|--------------------|
| 4 | 134-0960 | 2 | Bracket | 27 | 134-3052 | 1 | Hydraulic Hose |
| 8 | 134-1102 | 4 | Screw | 28 | 134-3053 | 1 | Hydraulic Hose |
| 10 | 134-1169 | 2 | Clamp | 29 | 134-3055 | 2 | Screw |
| 11 | 134-1170 | 2 | Clamp | 30 | 134-3056 | 2 | Hydraulic Hose |
| 12 | 134-1206 | 2 | Coupler-Quick, Female | 31 | 134-3057 | 1 | Hydraulic Hose |
| 14 | 134-1218 | 1 | Adaptor-90 DEG | 32 | 134-3059 | 1 | Hydraulic Hose |
| 15 | 134-1245 | 6 | Screw | 33 | 134-3060 | 1 | Hydraulic Hose |
| 16 | 134-1247 | 1 | Fitting-Reducer | 34 | 134-3061 | 2 | Hydr Pipe 3/16 950 |
| 17 | 134-1255 | 13 | Washer | 35 | 134-3062 | 1 | Hydraulic Hose |
| 18 | 134-1266 | 4 | Fitting-Nipple | 36 | 134-3063 | 2 | Hydraulic Hose |
| 19 | 134-1270 | 1 | Fitting-Nipple | 37 | 134-3064 | 1 | Hydraulic Hose |
| 24 | 134-3049 | 1 | Hydraulic Hose | 38 | 134-3065 | 1 | Hydraulic Hose |
| 25 | 134-3050 | 3 | Screw | 39 | 134-3066 | 1 | Hydraulic Hose |
| 26 | 134-3051 | 1 | Hydraulic Hose | 40 | 134-3067 | 1 | Hydraulic Hose |

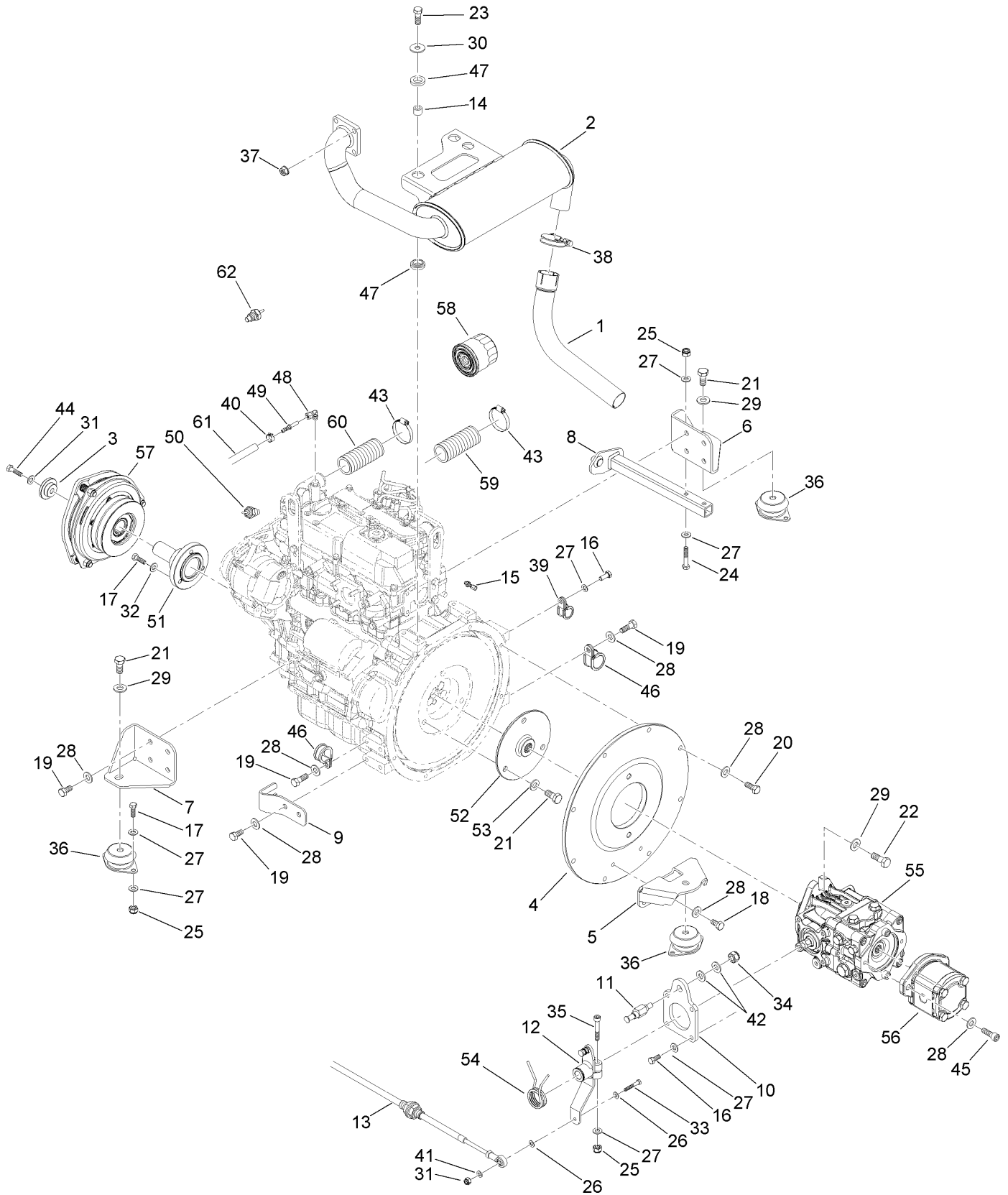
Oil Filter System Assembly



Oil Filter System Assembly (continued)

| <i>Ref.</i> | <i>Part Number</i> | <i>Qty.</i> | <i>Description</i> | <i>Ref.</i> | <i>Part Number</i> | <i>Qty.</i> | <i>Description</i> |
|-------------|--------------------|-------------|--------------------------|-------------|--------------------|-------------|----------------------------|
| 1 | 134-0820 | 1 | Support-Filter, Oil | 18 | 134-1332 | 1 | Washer |
| 2 | 134-0887 | 1 | Washer | 19 | 134-1336 | 1 | Filter ASM |
| 3 | 134-1032 | 1 | O-Ring | 20 | 134-0569 | 1 | O-Ring |
| 5 | 134-1211 | 1 | Adaptor-90 DEG | 21 | 134-0635 | 1 | Tank-Oil |
| 6 | 134-1212 | 1 | Valve-One Direction Only | 23 | 134-0617 | 1 | O-Ring |
| 7 | 134-1213 | 1 | Fitting-Nipple | 26 | 134-1368 | 1 | Element-Filter , Hydraulic |
| 8 | 134-1214 | 1 | Adaptor-90 DEG | 27 | 134-3070 | 1 | Hydraulic Hose |
| 9 | 134-1215 | 1 | Adaptor-90 DEG | 28 | 134-3071 | 1 | Hydraulic Hose |
| 10 | 134-1216 | 1 | Fitting | 29 | 134-3072 | 1 | Hydraulic Hose |
| 11 | 134-1217 | 1 | Adaptor-90 DEG | 30 | 134-3073 | 1 | Hydraulic Hose |
| 12 | 134-1218 | 1 | Adaptor-90 DEG | 31 | 134-3074 | 1 | Hydraulic Hose |
| 13 | 134-1219 | 1 | Fitting-Reducer | 32 | 134-3056 | 1 | Hydraulic Hose |
| 14 | 134-1220 | 2 | Fitting-Nipple | 33 | 134-3123 | 1 | Filter-Tank, Hydraulic |
| 15 | 134-1256 | 1 | Washer | 34 | 134-0786 | 1 | Extension |
| 16 | 134-1275 | 1 | Adaptor-90 DEG | 35 | 134-1210 | 1 | Cap-Oil |
| 17 | 134-1331 | 1 | Fitting-Reducer | | | | |

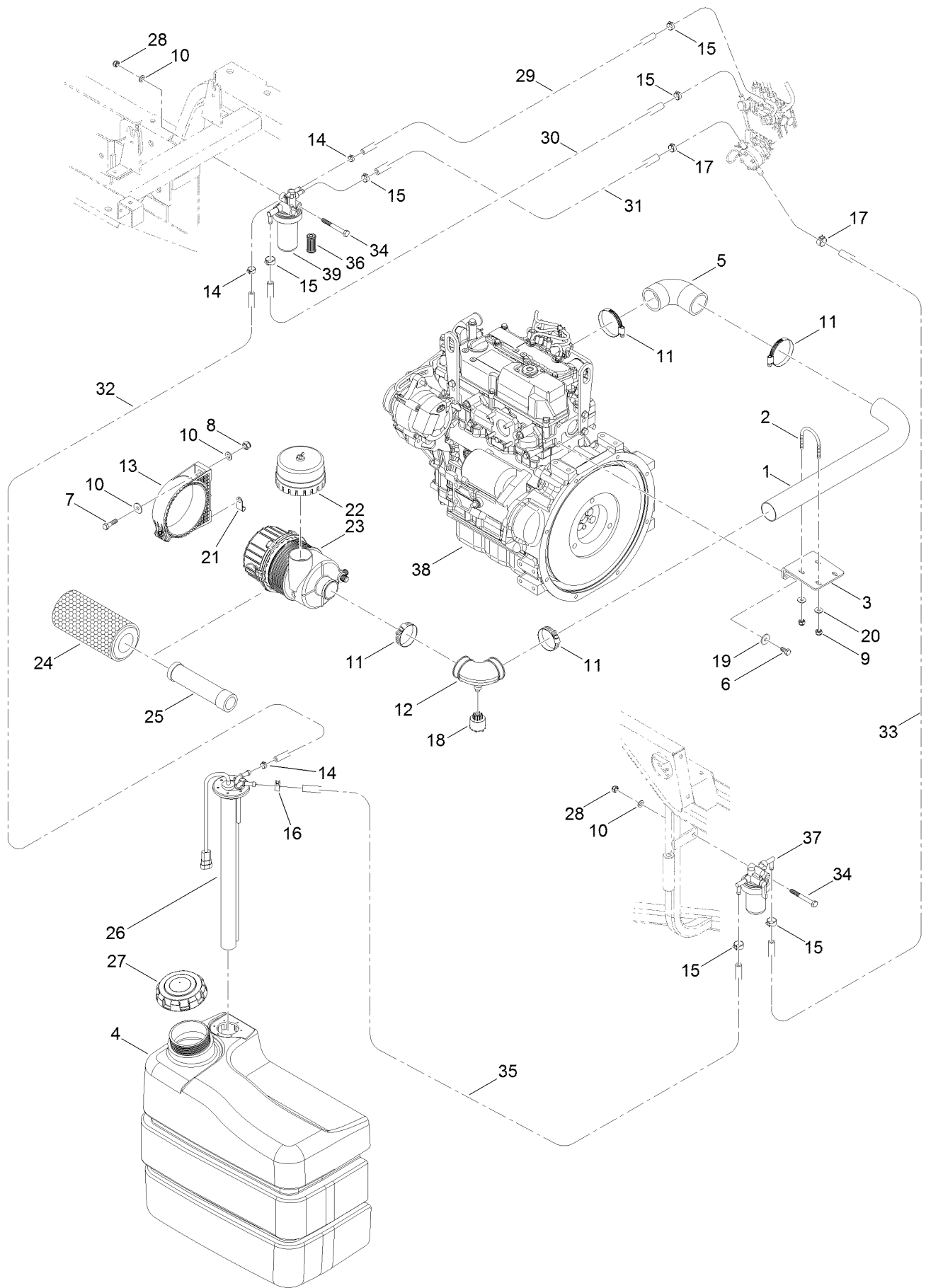
Engine, Pump and Friction Assembly



Engine, Pump and Friction Assembly (continued)

| <i>Ref.</i> | <i>Part Number</i> | <i>Qty.</i> | <i>Description</i> | <i>Ref.</i> | <i>Part Number</i> | <i>Qty.</i> | <i>Description</i> |
|-------------|--------------------|-------------|--------------------------|-------------|--------------------|-------------|----------------------|
| 1 | 134-0781 | 1 | Pipe-Exhaust | 32 | 134-1054 | 1 | Washer |
| 2 | 134-0785 | 1 | Muffler | 33 | 134-1069 | 1 | Screw |
| 3 | 134-0819 | 1 | Bushing | 34 | 134-1079 | 1 | Nut |
| 4 | 134-0821 | 1 | Flange | 35 | 134-1120 | 1 | Screw |
| 5 | 134-0822 | 1 | Support-Engine | 36 | 134-1157 | 3 | Shock Absorber |
| 6 | 134-0823 | 1 | Support-Engine | 37 | 134-1166 | 1 | Nut |
| 7 | 134-0824 | 1 | Support-Engine | 38 | 134-1195 | 1 | Clamp |
| 8 | 134-0830 | 1 | Stop-Clutch | 39 | 134-1197 | 1 | Clamp |
| 9 | 134-0844 | 1 | Support | 40 | 134-1201 | 1 | Clamp |
| 10 | 134-0847 | 1 | Bracket | 41 | 134-1234 | 1 | Washer |
| 11 | 134-0848 | 1 | Shaft-Neutral, Hydrostat | 42 | 134-1237 | 1 | Washer-Belleville |
| 12 | 134-0849 | 1 | Lever-Forward, Pedal | 43 | 134-1277 | 1 | Clamp |
| 13 | 134-0854 | 1 | Cable-Forward | 44 | 134-1301 | 1 | Screw |
| 14 | 134-0862 | 1 | Spacer | 45 | 134-1306 | 1 | Screw |
| 15 | 134-0867 | 1 | Adjuster | 46 | 134-1321 | 2 | Clamp |
| 16 | 134-1011 | 2 | Screw | 47 | 134-1325 | 2 | Shock Absorber |
| 17 | 134-1015 | 2 | Screw | 48 | 134-1333 | 1 | Adaptor-90 DEG |
| 18 | 134-1016 | 1 | Screw | 49 | 134-1334 | 2 | Fitting |
| 19 | 134-1017 | 4 | Screw | 50 | 134-3075 | 1 | Switch-Pressure |
| 20 | 134-1018 | 1 | Screw | 51 | 134-0629 | 1 | Shaft-Drive |
| 21 | 134-1020 | 3 | Screw | 52 | 134-0633 | 1 | Joint |
| 22 | 134-1021 | 1 | Screw | 53 | 134-0591 | 1 | Washer |
| 23 | 134-1023 | 1 | Screw | 54 | 134-0638 | 1 | Spring-Return |
| 24 | 134-1029 | 1 | Screw | 55 | 134-0580 | 1 | Pump-Drive |
| 25 | 134-1038 | 3 | Nut | 56 | 134-0583 | 1 | Pump-Gear, Hydraulic |
| 26 | 134-1044 | 2 | Washer | 57 | 134-0578 | 1 | Clutch |
| 27 | 134-1045 | 7 | Washer | 58 | 134-1208 | 1 | Filter-Oil, Engine |
| 28 | 134-1046 | 7 | Washer | 59 | 134-2977 | 1 | Pipe |
| 29 | 134-1047 | 3 | Washer | 60 | 134-2976 | 1 | Pipe |
| 30 | 134-1048 | 1 | Washer | 61 | 134-2978 | 1 | Pipe |
| 31 | 134-1051 | 2 | Washer | 62 | 134-3128 | 1 | Sensor-Temperature |

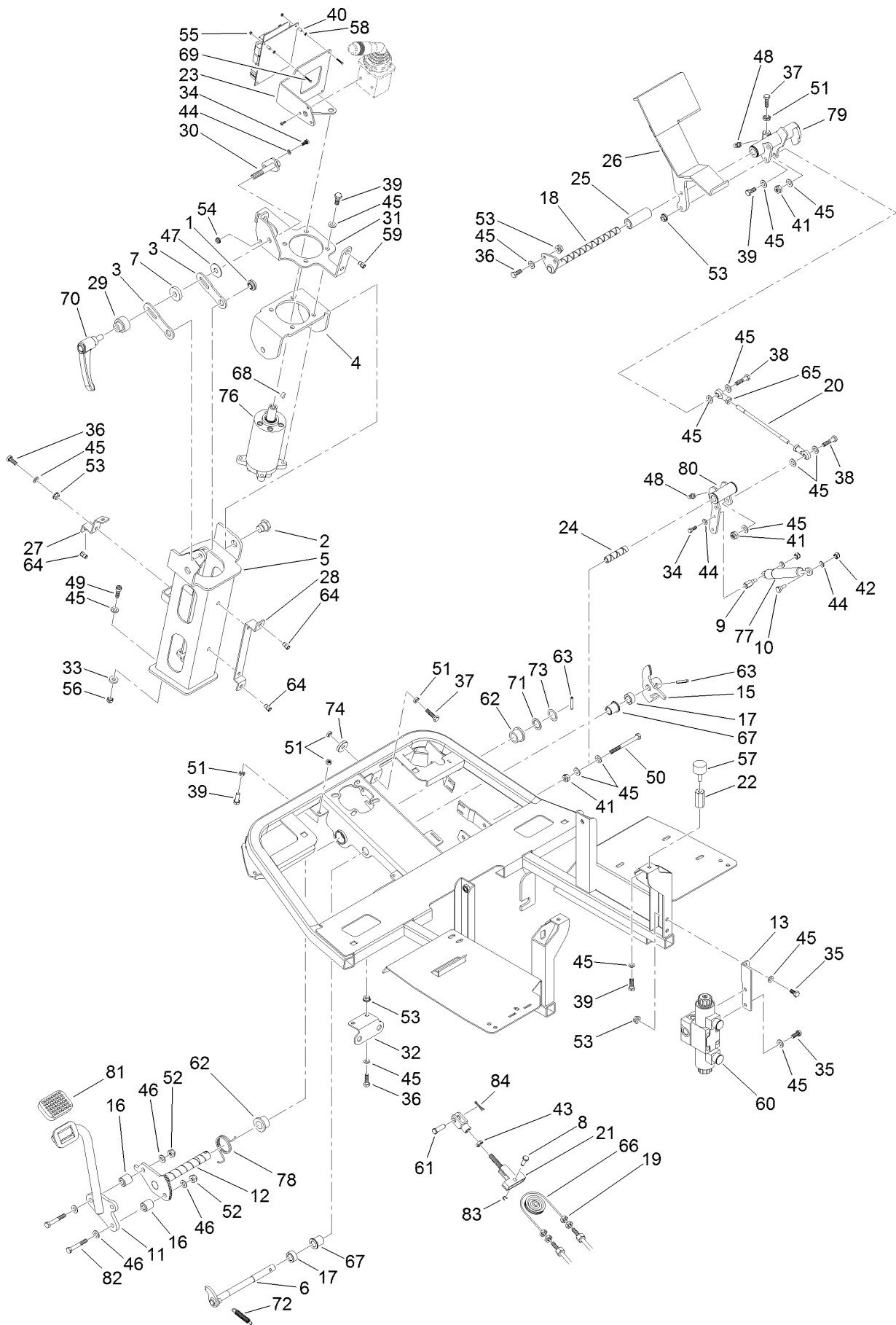
Engine, Fuel and Suction Assembly



Engine, Fuel and Suction Assembly (continued)

| <i>Ref.</i> | <i>Part Number</i> | <i>Qty.</i> | <i>Description</i> | <i>Ref.</i> | <i>Part Number</i> | <i>Qty.</i> | <i>Description</i> |
|-------------|--------------------|-------------|-----------------------|-------------|--------------------|-------------|---------------------------|
| 1 | 134-0788 | 1 | Tube-Suction, Engine | 21 | 134-1348 | 1 | Grommet |
| 2 | 134-0790 | 1 | Jumper | 22 | 134-0567 | 1 | Prefilter-Air |
| 3 | 134-0804 | 1 | Bracket | 23 | 134-0575 | 1 | Filter-Air |
| 4 | 134-0857 | 1 | Tank-Fuel | 24 | 134-0574 | 1 | Cartridge-Filter |
| 5 | 134-0889 | 1 | Tube-Suction, Engine | 25 | 134-0576 | 1 | Element-Air Filter, Inner |
| 6 | 134-1010 | 1 | Screw | 26 | 134-0573 | 1 | Float |
| 7 | 134-1012 | 1 | Screw | 27 | 134-0572 | 1 | Cap-Tank, Diesel |
| 8 | 134-1038 | 1 | Nut | 28 | 134-1092 | 2 | Nut |
| 9 | 134-1042 | 1 | Nut | 29 | 134-3078 | 1 | Pipe |
| 10 | 134-1045 | 4 | Washer | 30 | 134-3079 | 1 | Pipe |
| 11 | 134-1103 | 4 | Clamp | 31 | 134-3080 | 1 | Pipe |
| 12 | 134-1176 | 1 | Bulb | 32 | 134-3081 | 1 | Pipe |
| 13 | 134-1177 | 1 | Clamp | 33 | 134-3082 | 1 | Pipe |
| 14 | 134-1200 | 2 | Clamp | 34 | 134-3083 | 2 | Screw |
| 15 | 134-1201 | 7 | Clamp | 35 | 134-3084 | 1 | Pipe |
| 16 | 134-1202 | 1 | Clamp | 36 | 134-3085 | 1 | Element-Filter, Fuel |
| 17 | 134-1203 | 2 | Clamp | 37 | 134-3086 | 1 | Water Separator ASM |
| 18 | 134-1228 | 1 | Indicator-Filter, Air | 38 | 134-3116 | 1 | Engine-Yanmar |
| 19 | 134-1233 | 1 | Washer | 39 | 134-1997 | 1 | Filter-Fuel |
| 20 | 134-1234 | 1 | Washer | | | | |

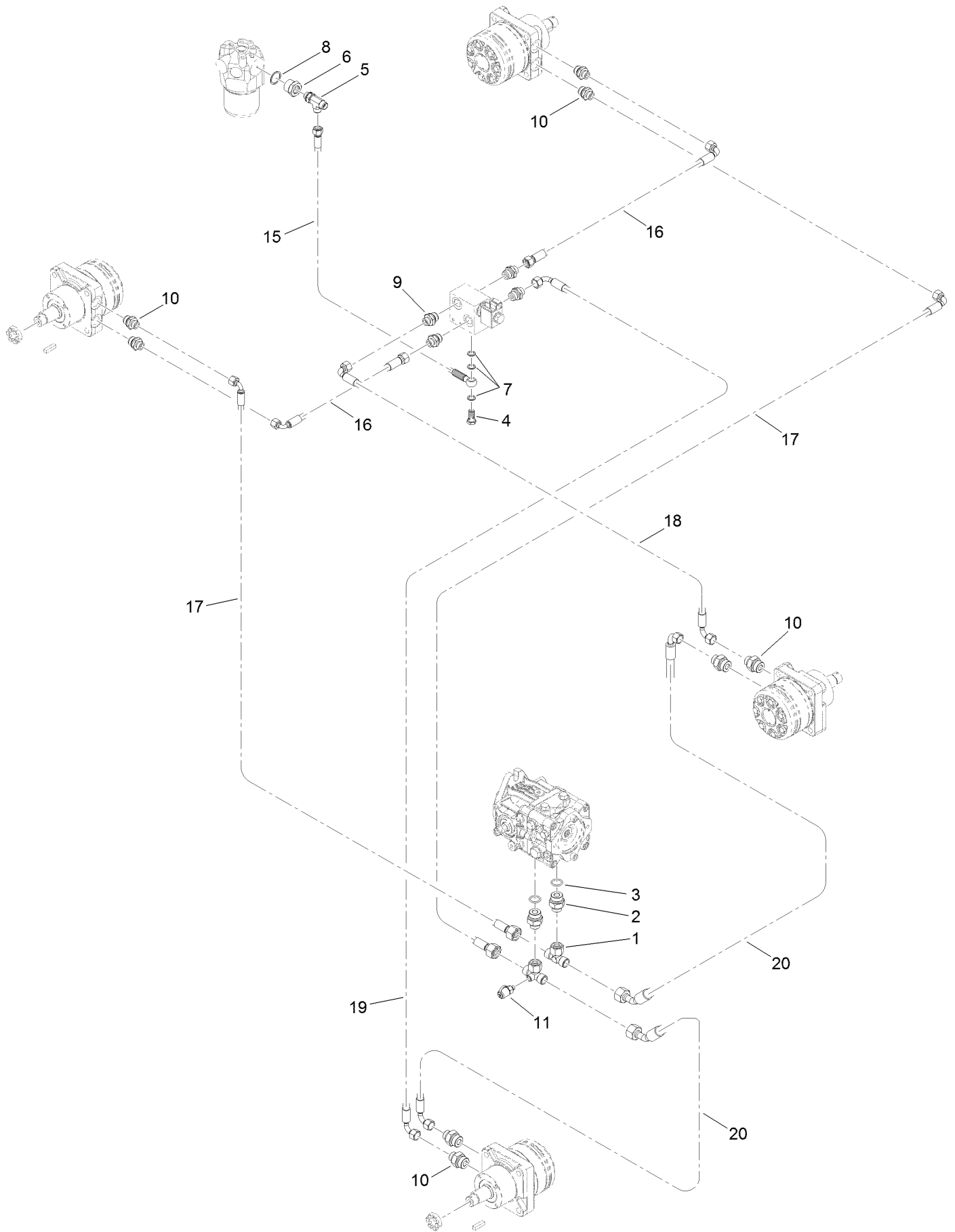
Operator Platform Assembly



Operator Platform Assembly (continued)

| <i>Ref.</i> | <i>Part Number</i> | <i>Qty.</i> | <i>Description</i> | <i>Ref.</i> | <i>Part Number</i> | <i>Qty.</i> | <i>Description</i> |
|-------------|--------------------|-------------|-----------------------|-------------|--------------------|-------------|-----------------------|
| 1 | 134-0703 | 1 | Bushing | 43 | 134-1043 | 1 | Nut |
| 2 | 134-0705 | 1 | Pin | 44 | 134-1044 | 3 | Washer |
| 3 | 134-0706 | 2 | Rod-Connecting | 45 | 134-1045 | 16 | Washer |
| 4 | 134-0707 | 1 | Hinge | 46 | 134-1046 | 3 | Washer |
| 5 | 134-0708 | 1 | Column-Steering | 47 | 134-1048 | 1 | Washer |
| 6 | 134-0716 | 1 | Camshaft | 48 | 134-1065 | 2 | Fitting-Grease |
| 7 | 134-0746 | 1 | Spacer | 49 | 134-1068 | 1 | Screw |
| 8 | 134-0750 | 1 | Pin | 50 | 134-1073 | 1 | Screw |
| 9 | 134-0756 | 1 | Pin | 51 | 134-1078 | 4 | Nut |
| 10 | 134-0757 | 1 | Pin | 52 | 134-1081 | 2 | Nut |
| 11 | 134-0789 | 1 | Pedal-Brake | 53 | 134-1082 | 5 | Nut |
| 12 | 134-0791 | 1 | Pedal-Brake | 54 | 134-1084 | 1 | Nut |
| 13 | 134-0836 | 1 | Bracket | 55 | 134-1085 | 1 | Nut |
| 15 | 134-0846 | 1 | Lock-Brake | 56 | 134-1092 | 1 | Nut |
| 16 | 134-0888 | 2 | Spacer | 57 | 134-1163 | 1 | Pad-Rubber |
| 17 | 134-0894 | 2 | Spacer | 58 | 134-1167 | 1 | Nut |
| 18 | 134-0896 | 1 | Pin | 59 | 134-1194 | 1 | Insert-Threaded |
| 19 | 134-0898 | 1 | Cable-Brake | 60 | 134-1209 | 1 | Valve-Electric |
| 20 | 134-0907 | 1 | Lever-Valve, Aux | 61 | 134-1242 | 1 | Pin |
| 21 | 134-0910 | 1 | Fork | 62 | 134-1249 | 2 | Bushing |
| 22 | 134-0912 | 1 | Column | 63 | 134-1254 | 2 | Plug-Spirol |
| 23 | 134-0929 | 1 | Support | 64 | 134-1257 | 3 | Insert-Threaded |
| 24 | 134-0934 | 1 | Bushing | 65 | 134-1259 | 1 | Head-Cylinder |
| 25 | 134-0938 | 1 | Spacer | 66 | 134-1263 | 1 | Pulley |
| 26 | 134-0940 | 1 | Pedal-Forward/Reverse | 67 | 134-1264 | 2 | Bushing |
| 27 | 134-0942 | 1 | Bracket | 68 | 134-1272 | 1 | Key-Shaft |
| 28 | 134-0943 | 1 | Bracket | 69 | 134-1313 | 1 | Screw |
| 29 | 134-0948 | 1 | Bushing | 70 | 134-1322 | 1 | Handlesteering Column |
| 30 | 134-0949 | 1 | Screw | 71 | 134-1323 | 1 | Spacer |
| 31 | 134-0957 | 1 | Support | 72 | 134-1353 | 1 | Spring |
| 32 | 134-0960 | 1 | Bracket | 73 | 134-1354 | 1 | Spacer |
| 33 | 134-0997 | 1 | Washer | 74 | 134-1355 | 1 | Washer |
| 34 | 134-1008 | 2 | Screw | 76 | 134-0581 | 1 | Drive-Hydraulic |
| 35 | 134-1010 | 2 | Screw | 77 | 134-0594 | 1 | Absorber-Shock |
| 36 | 134-1011 | 3 | Screw | 78 | 134-0634 | 1 | Spring-Pedal, Brake |
| 37 | 134-1013 | 2 | Screw | 79 | 134-3087 | 1 | Traction Pedal Pin |
| 38 | 134-1014 | 2 | Screw | 80 | 134-3088 | 1 | Pedal Comp |
| 39 | 134-1015 | 4 | Screw | 81 | 134-3089 | 1 | Dust Cap |
| 40 | 134-1031 | 1 | Bushing-Nylon | 82 | 134-3090 | 1 | Screw |
| 41 | 134-1038 | 3 | Nut | 83 | 134-3091 | 1 | Ring Snap |
| 42 | 134-1042 | 1 | Nut | 84 | 134-2957 | 1 | Pin-Split |

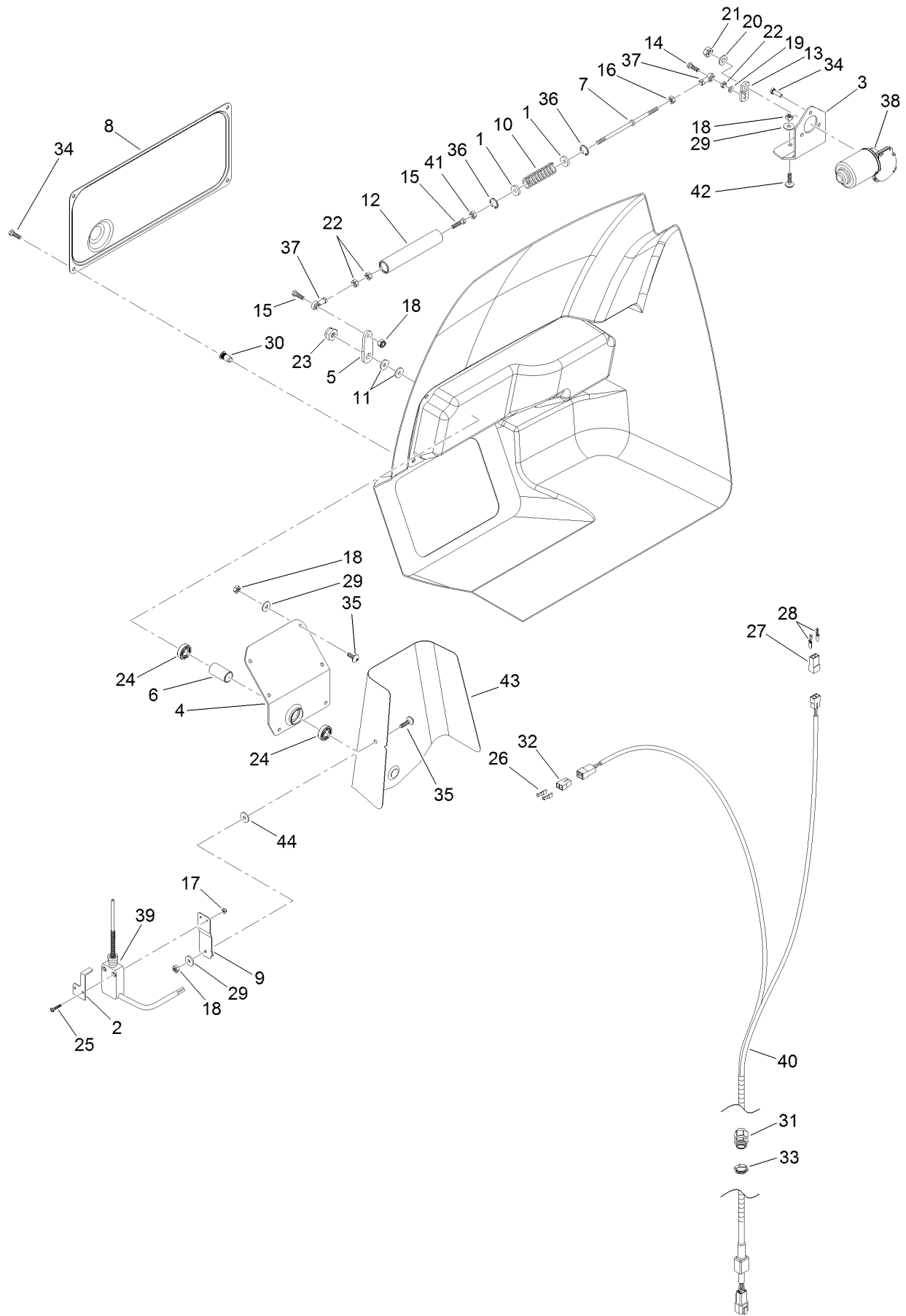
Oil System Motors Assembly



Oil System Motors Assembly (continued)

| <i>Ref.</i> | <i>Part Number</i> | <i>Qty.</i> | <i>Description</i> | <i>Ref.</i> | <i>Part Number</i> | <i>Qty.</i> | <i>Description</i> |
|-------------|--------------------|-------------|--------------------|-------------|--------------------|-------------|--------------------|
| 1 | 134-0754 | 1 | Fitting-Adapter, T | 10 | 134-1329 | 4 | Fitting-Nipple |
| 2 | 134-0855 | 1 | Fitting | 11 | 134-1331 | 1 | Fitting-Reducer |
| 3 | 134-1064 | 1 | O-Ring | 15 | 134-3093 | 1 | Hydraulic Hose |
| 4 | 134-1102 | 1 | Screw | 16 | 134-3094 | 2 | Hydraulic Hose |
| 5 | 134-1218 | 1 | Adaptor-90 DEG | 17 | 134-3096 | 2 | Hydraulic Hose |
| 6 | 134-1219 | 1 | Fitting-Reducer | 18 | 134-3097 | 1 | Hydraulic Hose |
| 7 | 134-1255 | 2 | Washer | 19 | 134-3099 | 1 | Hydraulic Hose |
| 8 | 134-1256 | 1 | Washer | 20 | 134-3100 | 2 | Hydraulic Hose |
| 9 | 134-1267 | 1 | Fitting | | | | |

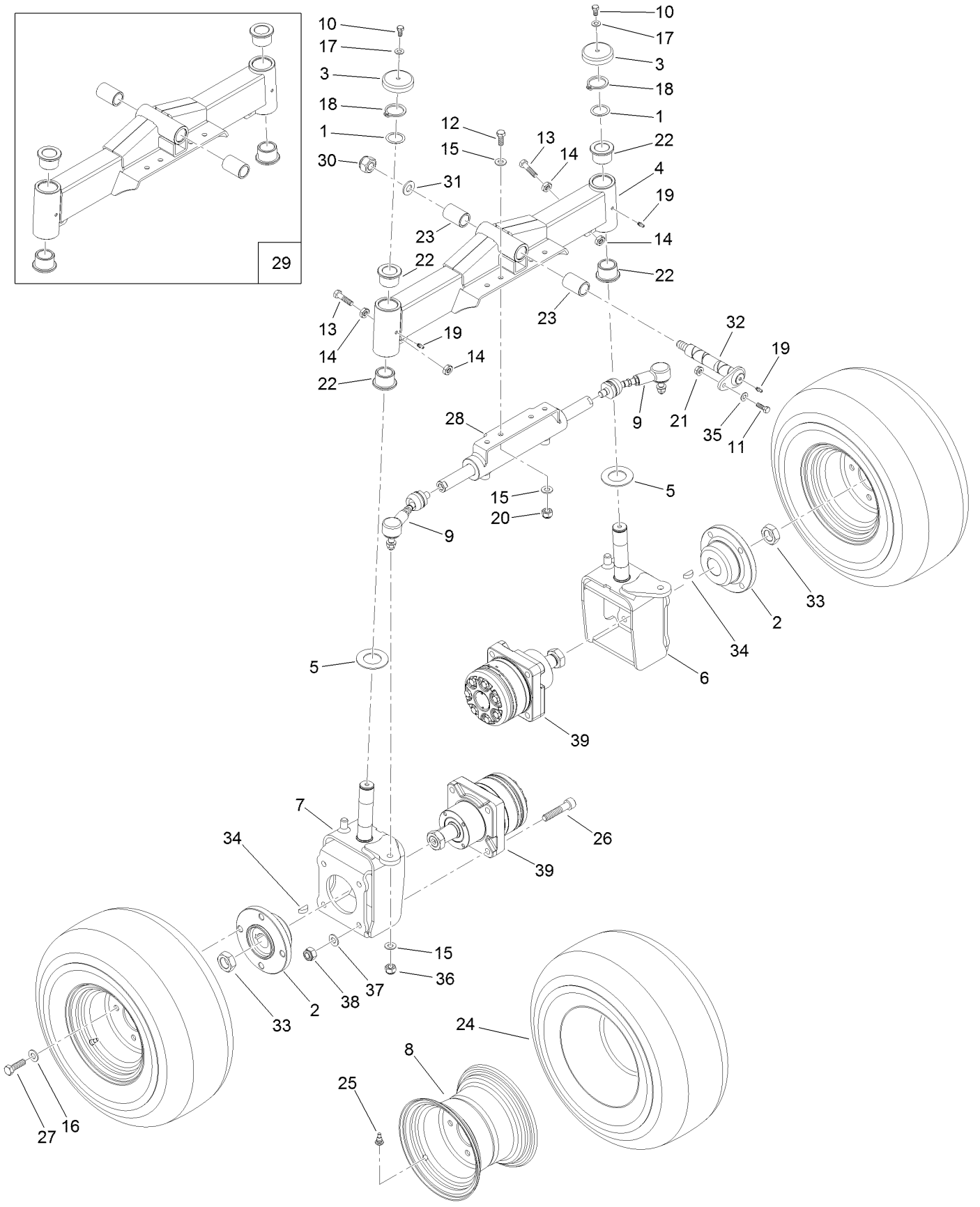
Road Basket Assembly



Road Basket Assembly (continued)

| <i>Ref.</i> | <i>Part Number</i> | <i>Qty.</i> | <i>Description</i> | <i>Ref.</i> | <i>Part Number</i> | <i>Qty.</i> | <i>Description</i> |
|-------------|--------------------|-------------|-------------------------|-------------|--------------------|-------------|------------------------------------|
| 1 | 134-0691 | 2 | Washer | 24 | 134-1104 | 2 | Bearing |
| 2 | 134-0700 | 1 | Bracket | 25 | 134-1113 | 1 | Screw |
| 3 | 134-0766 | 1 | Support-Engine | 26 | 134-1221 | 1 | Cap-Cable End, Female |
| 4 | 134-0767 | 1 | Support-Spreader | 27 | 134-1222 | 1 | Connector-Electric |
| 5 | 134-0768 | 1 | Switch-Lights, White | 28 | 134-1225 | 1 | Connector |
| 6 | 134-0841 | 1 | Spacer | 29 | 134-1234 | 3 | Washer |
| 7 | 134-0872 | 1 | Rod | 30 | 134-1253 | 1 | Insert-Threaded |
| 8 | 134-0914 | 1 | Cover | 31 | 134-1278 | 1 | Fitting-Union |
| 9 | 134-0916 | 1 | Support-Sensor, Catcher | 32 | 134-1288 | 1 | Connector-Electric |
| 10 | 134-0926 | 1 | Spring | 33 | 134-1292 | 1 | Nut-Plastic |
| 11 | 134-0998 | 1 | Spacer | 34 | 134-1303 | 2 | Screw |
| 12 | 134-1002 | 1 | Body | 35 | 134-1304 | 2 | Screw |
| 13 | 134-1003 | 1 | Rod-Connecting | 36 | 134-0562 | 1 | Circlip |
| 14 | 134-1009 | 1 | Screw | 37 | 134-0592 | 1 | Head-Joint |
| 15 | 134-1028 | 2 | Screw | 38 | 134-0595 | 1 | Baffle-Motor |
| 16 | 134-1039 | 1 | Nut | 39 | 134-0607 | 1 | Microswitch-Full, Grass Catcher |
| 17 | 134-1040 | 1 | Nut | 40 | 134-0601 | 1 | Wiring-Catcher, Grass |
| 18 | 134-1042 | 4 | Nut | 41 | 134-3101 | 1 | Nut |
| 19 | 134-1044 | 1 | Washer | 42 | 134-3102 | 1 | Circlip |
| 20 | 134-1054 | 1 | Washer | 43 | 134-3103 | 1 | Manifold |
| 21 | 134-1078 | 1 | Nut | 44 | 134-1237 | 1 | Washer-Belleville |
| 22 | 134-1080 | 2 | Nut | | | | |
| 23 | 134-1081 | 1 | Nut | | | | |

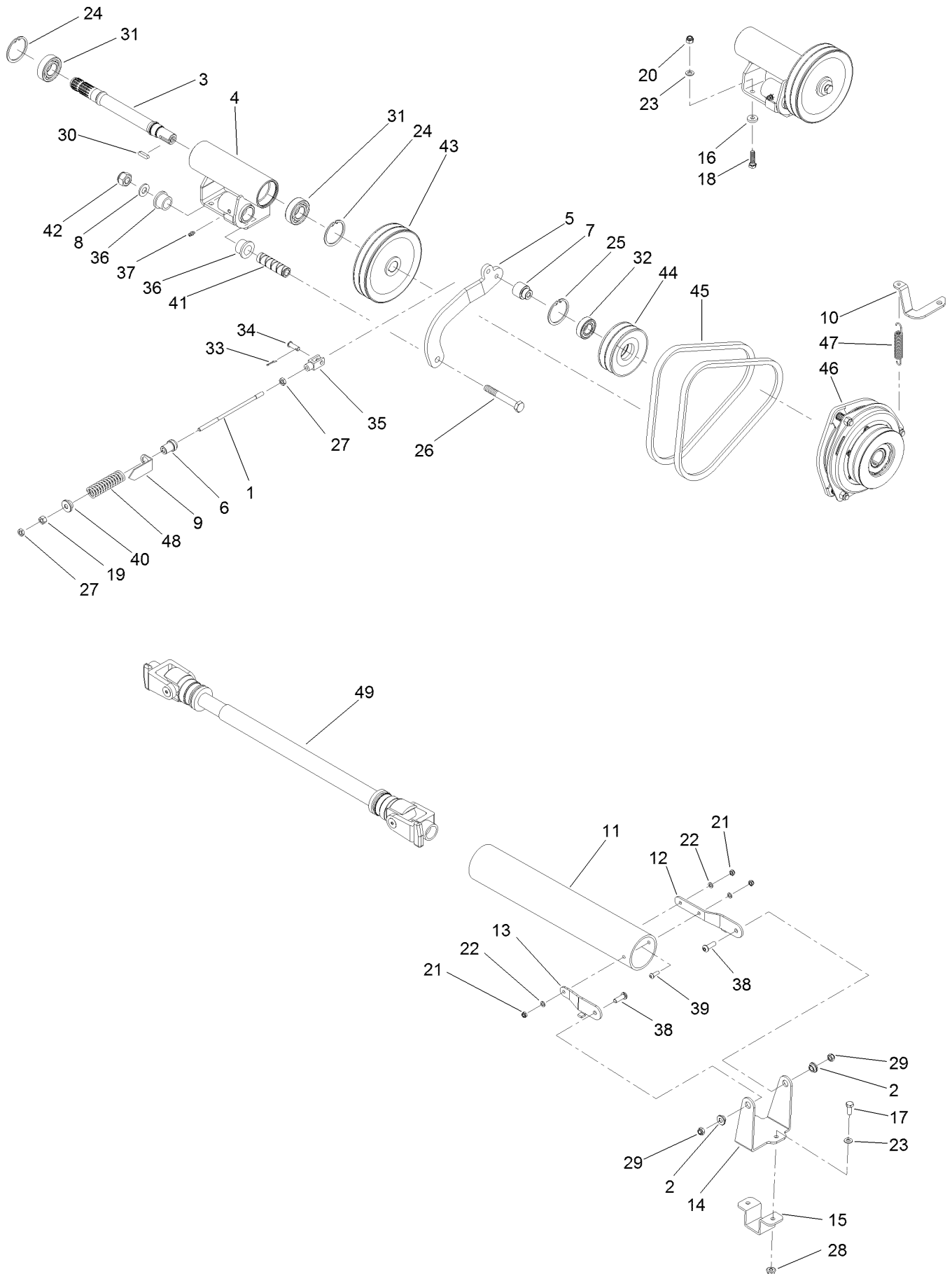
Rear Axle Assembly



Rear Axle Assembly (continued)

| <i>Ref.</i> | <i>Part Number</i> | <i>Qty.</i> | <i>Description</i> | <i>Ref.</i> | <i>Part Number</i> | <i>Qty.</i> | <i>Description</i> |
|-------------|--------------------|-------------|---------------------|-------------|--------------------|-------------|-----------------------|
| 1 | 134-0713 | 2 | Spacer | 21 | 134-1082 | 1 | Nut |
| 2 | 134-0721 | 2 | Flange | 22 | 134-1188 | 4 | Bushing |
| 3 | 134-0723 | 2 | Cap | 23 | 134-1189 | 2 | Bushing |
| 4 | 134-0769 | 1 | Axle-Rear | 24 | 134-1230 | 1 | Tire-Rear |
| 5 | 134-0770 | 2 | Washer | 25 | 134-1261 | 1 | Valve-Tire |
| 6 | 134-0774 | 1 | Fork | 26 | 134-1298 | 8 | Screw |
| 7 | 134-0775 | 1 | Fork | 27 | 134-1305 | 1 | Screw |
| 8 | 134-0818 | 1 | Rim-Wheel, Rear | 28 | 134-0657 | 1 | Piston-Steering |
| 9 | 134-0860 | 1 | Articulation | 29 | 134-3104 | 1 | Rear Axle |
| 10 | 134-1010 | 2 | Screw | 30 | 134-3105 | 1 | Nut |
| 11 | 134-1015 | 1 | Screw | 31 | 134-2962 | 1 | Washer |
| 12 | 134-1018 | 1 | Screw | 32 | 134-3106 | 1 | Pin |
| 13 | 134-1030 | 1 | Screw | 33 | 134-3107 | 2 | Nut |
| 14 | 134-1043 | 2 | Nut | 34 | 134-3108 | 2 | Key-Feather |
| 15 | 134-1046 | 3 | Washer | 35 | 134-1045 | 1 | Washer |
| 16 | 134-1047 | 1 | Washer | 36 | 134-3110 | 2 | Nut |
| 17 | 134-1054 | 2 | Washer | 37 | 134-0591 | 8 | Washer |
| 18 | 134-1061 | 2 | Ring-Retaining, Int | 38 | 134-0561 | 8 | Nut |
| 19 | 134-1065 | 3 | Fitting-Grease | 39 | 134-0667 | 2 | Motor-Hydraulic, Rear |
| 20 | 134-1079 | 1 | Nut | | | | |

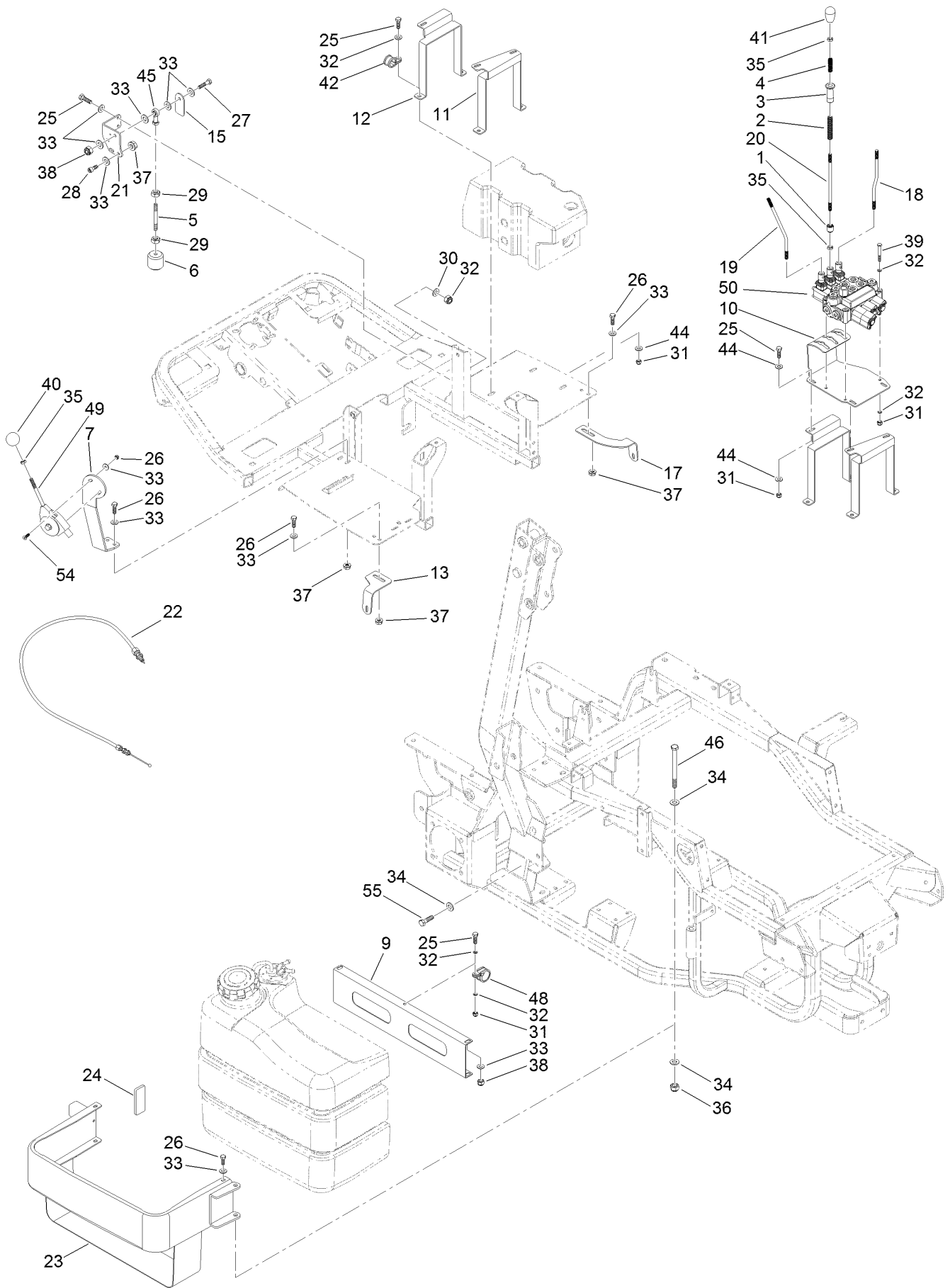
Transmission, PTO and Drive Shaft Assembly



Transmission, PTO and Drive Shaft Assembly (continued)

| <i>Ref.</i> | <i>Part Number</i> | <i>Qty.</i> | <i>Description</i> | <i>Ref.</i> | <i>Part Number</i> | <i>Qty.</i> | <i>Description</i> |
|-------------|--------------------|-------------|-------------------------------|-------------|--------------------|-------------|-------------------------------|
| 1 | 134-0701 | 1 | Rod | 26 | 134-1075 | 1 | Screw |
| 2 | 134-0729 | 2 | Bushing | 27 | 134-1078 | 2 | Nut |
| 3 | 134-0779 | 1 | Shaft | 28 | 134-1082 | 1 | Nut |
| 4 | 134-0780 | 1 | Flange-Dust | 29 | 134-1092 | 2 | Nut |
| 5 | 134-0782 | 1 | Lever-Belt Tensioner | 30 | 134-1100 | 1 | Key-Shaft |
| 6 | 134-0783 | 1 | Pin-Guide, Nylon | 31 | 134-1105 | 2 | Bearing |
| 7 | 134-0784 | 1 | Bushing | 32 | 134-1108 | 1 | Bearing |
| 8 | 134-0866 | 1 | Washer | 33 | 134-1132 | 1 | Pin-Spring |
| 9 | 134-0893 | 1 | Spring-Belt Tension Indicator | 34 | 134-1236 | 1 | Pin |
| 10 | 134-0919 | 1 | Bracket | 35 | 134-1239 | 1 | Fork |
| 11 | 134-0967 | 1 | Tube-Protector, Polyethylene | 36 | 134-1249 | 2 | Bushing |
| 12 | 134-0968 | 1 | Bracket | 37 | 134-1258 | 1 | Fitting-Grease |
| 13 | 134-0969 | 1 | Bracket | 38 | 134-1302 | 2 | Screw |
| 14 | 134-0970 | 1 | Fork | 39 | 134-1311 | 1 | Screw |
| 15 | 134-0971 | 1 | Bracket | 40 | 134-1349 | 1 | Guide-Spring |
| 16 | 134-0997 | 1 | Washer | 41 | 134-1351 | 1 | Spacer |
| 17 | 134-1011 | 1 | Screw | 42 | 134-0561 | 1 | Nut |
| 18 | 134-1012 | 1 | Screw | 43 | 134-0622 | 1 | Pulley |
| 19 | 134-1034 | 1 | Nut | 44 | 134-1365 | 1 | Pulley |
| 20 | 134-1038 | 1 | Nut | 45 | 134-0577 | 1 | Belt-PTO |
| 21 | 134-1042 | 2 | Nut | 46 | 134-0578 | 1 | Clutch |
| 22 | 134-1044 | 2 | Washer | 47 | 134-1359 | 1 | Decal-Attention, Deck Service |
| 23 | 134-1045 | 2 | Washer | 48 | 134-0618 | 1 | Spring |
| 24 | 134-1057 | 2 | Ring-Retaining, Int | 49 | 134-0619 | 1 | Joint-Universal |
| 25 | 134-1058 | 1 | Ring-Retaining, Int | | | | |

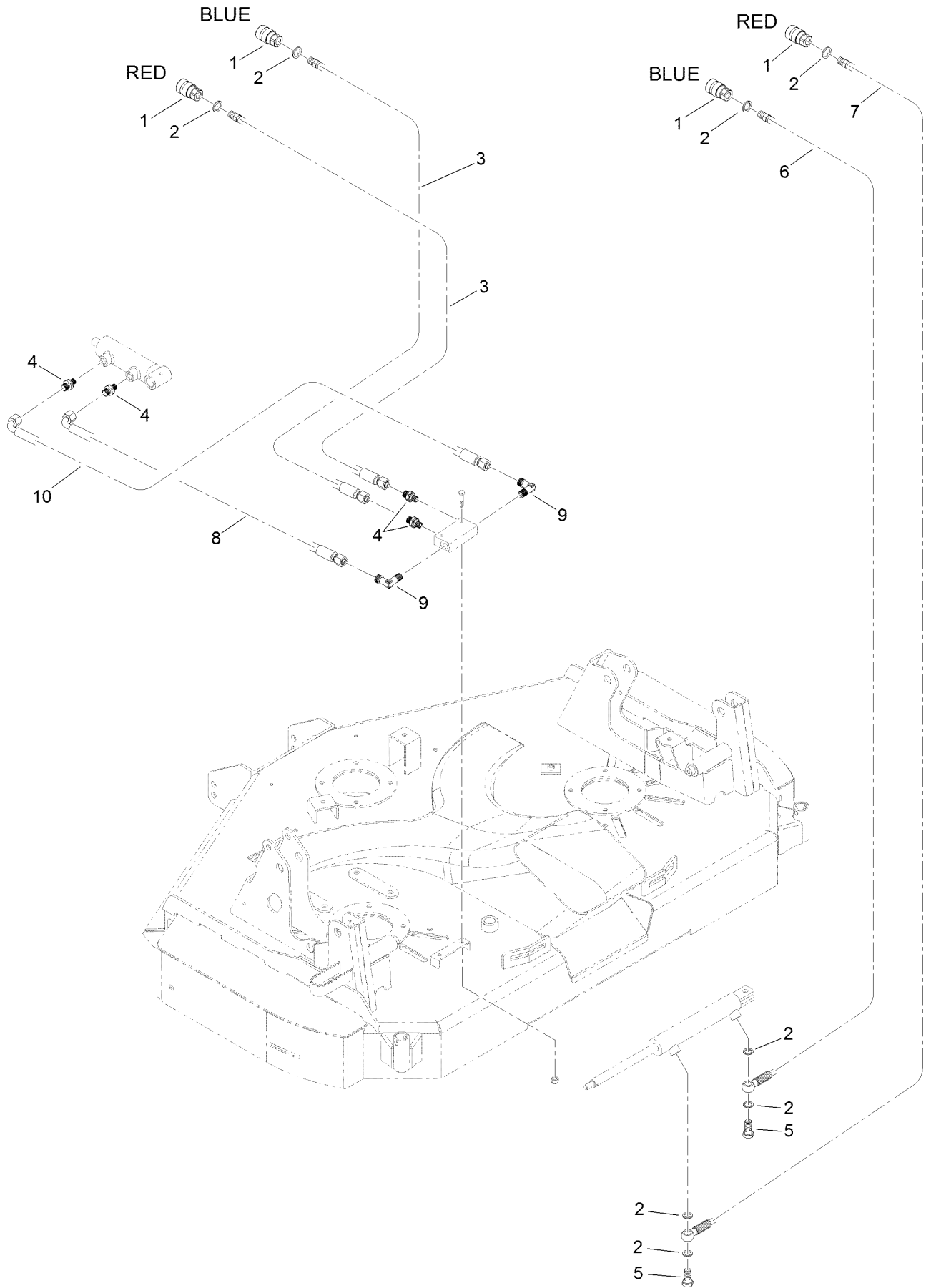
Fuel and Oil Tank Assembly



Fuel and Oil Tank Assembly (continued)

| <i>Ref.</i> | <i>Part Number</i> | <i>Qty.</i> | <i>Description</i> | <i>Ref.</i> | <i>Part Number</i> | <i>Qty.</i> | <i>Description</i> |
|-------------|--------------------|-------------|----------------------|-------------|--------------------|-------------|--------------------|
| 1 | 134-0696 | 1 | Connector | 28 | 134-1026 | 1 | Screw |
| 2 | 134-0697 | 1 | Spring | 29 | 134-1034 | 2 | Nut |
| 3 | 134-0698 | 1 | Knob | 30 | 134-1041 | 1 | Nut |
| 4 | 134-0699 | 1 | Spring | 31 | 134-1042 | 4 | Nut |
| 5 | 134-0735 | 1 | Rod | 32 | 134-1044 | 6 | Washer |
| 6 | 134-0736 | 1 | Rocker | 33 | 134-1045 | 11 | Washer |
| 7 | 134-0772 | 1 | Support-Throttle | 34 | 134-1046 | 3 | Washer |
| 9 | 134-0787 | 1 | Rail-Cross | 35 | 134-1078 | 3 | Nut |
| 10 | 134-0792 | 1 | Support-Valve, Aux | 36 | 134-1079 | 1 | Nut |
| 11 | 134-0794 | 1 | Clamp-Band | 37 | 134-1082 | 4 | Nut |
| 12 | 134-0795 | 1 | Clamp-Band | 38 | 134-1092 | 2 | Nut |
| 13 | 134-0828 | 1 | Bracket | 39 | 134-1118 | 1 | Screw |
| 15 | 134-0845 | 1 | Support-Lock, Diff | 40 | 134-1146 | 1 | Ball |
| 17 | 134-0895 | 1 | Bracket | 41 | 134-1179 | 1 | Knob |
| 18 | 134-0905 | 1 | Lever-Valve, Aux | 42 | 134-1197 | 1 | Clamp |
| 19 | 134-0906 | 1 | Lever-Valve, Aux | 44 | 134-1234 | 3 | Washer |
| 20 | 134-0907 | 1 | Lever-Valve, Aux | 45 | 134-1259 | 1 | Head-Cylinder |
| 21 | 134-0952 | 1 | Bracket | 46 | 134-1295 | 1 | Screw |
| 22 | 134-0953 | 1 | Cable | 48 | 134-1318 | 1 | Clamp |
| 23 | 134-0959 | 1 | Support-Tank, Fuel | 49 | 134-0568 | 1 | Lever-Throttle |
| 24 | 134-0982 | 1 | Grommet-Rubber, Tank | 50 | 134-0582 | 1 | Distributor |
| 25 | 134-1009 | 4 | Screw | 54 | 134-3111 | 1 | Screw |
| 26 | 134-1011 | 5 | Screw | 55 | 134-3112 | 1 | Screw |
| 27 | 134-1014 | 1 | Screw | | | | |

Mower Deck Hydraulic Assembly

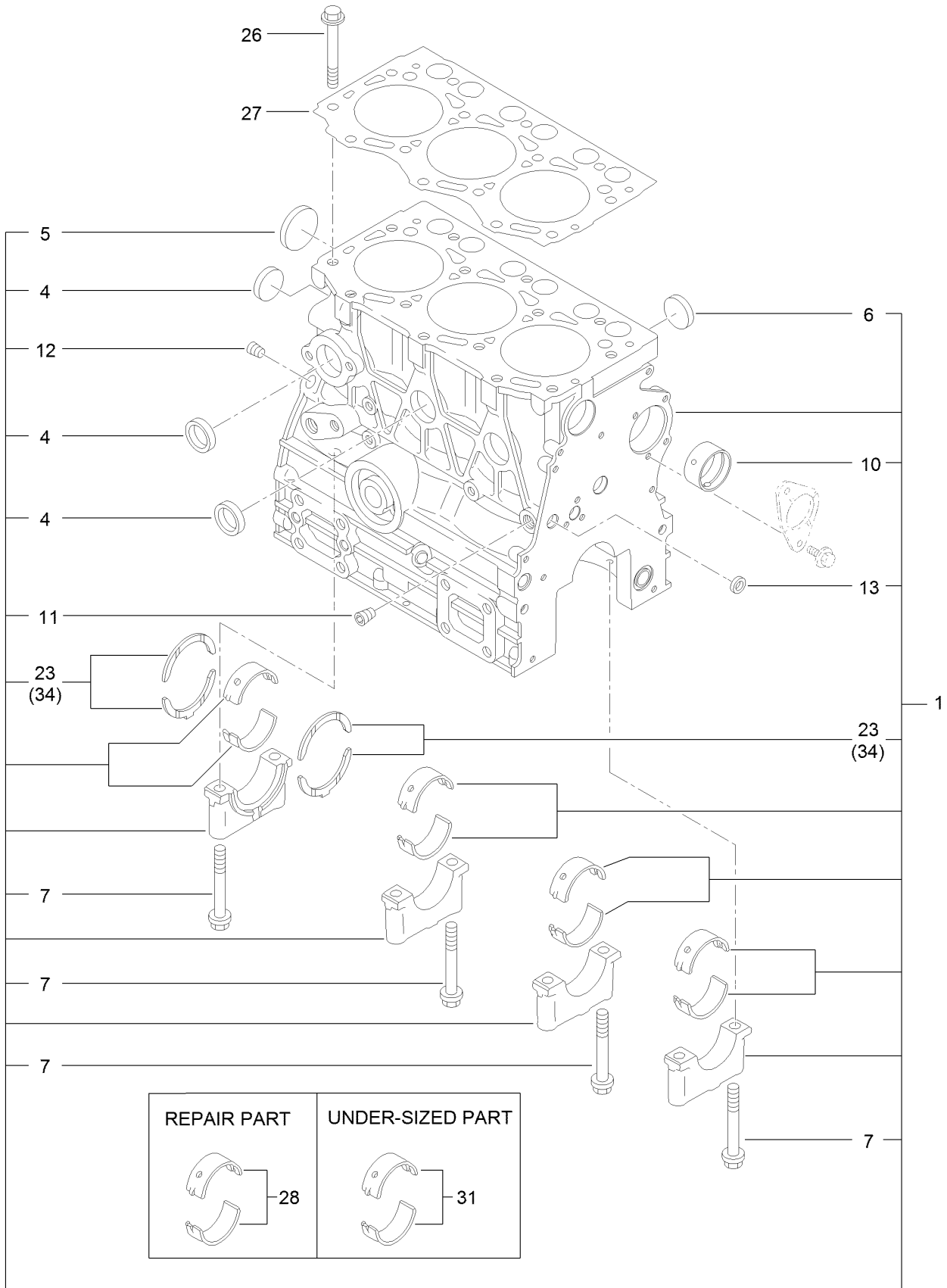


Mower Deck Hydraulic Assembly (continued)

| <i>Ref.</i> | <i>Part Number</i> | <i>Qty.</i> | <i>Description</i> |
|-------------|--------------------|-------------|-----------------------|
| 1 | 134-1206 | 4 | Coupler-Quick, Female |
| 2 | 134-1255 | 8 | Washer |
| 3 | 134-3118 | 2 | Hose-Hydraulic |
| 4 | 134-1270 | 4 | Fitting-Nipple |
| 5 | 134-1102 | 2 | Screw |

| <i>Ref.</i> | <i>Part Number</i> | <i>Qty.</i> | <i>Description</i> |
|-------------|--------------------|-------------|--------------------|
| 6 | 134-3119 | 1 | Hose-Hydraulic |
| 7 | 134-3120 | 1 | Hose-Hydraulic |
| 8 | 134-3121 | 1 | Hose-Hydraulic |
| 9 | 134-3122 | 2 | Fitting-Hydraulic |
| 10 | 134-3127 | 1 | Hose-Hydraulic |

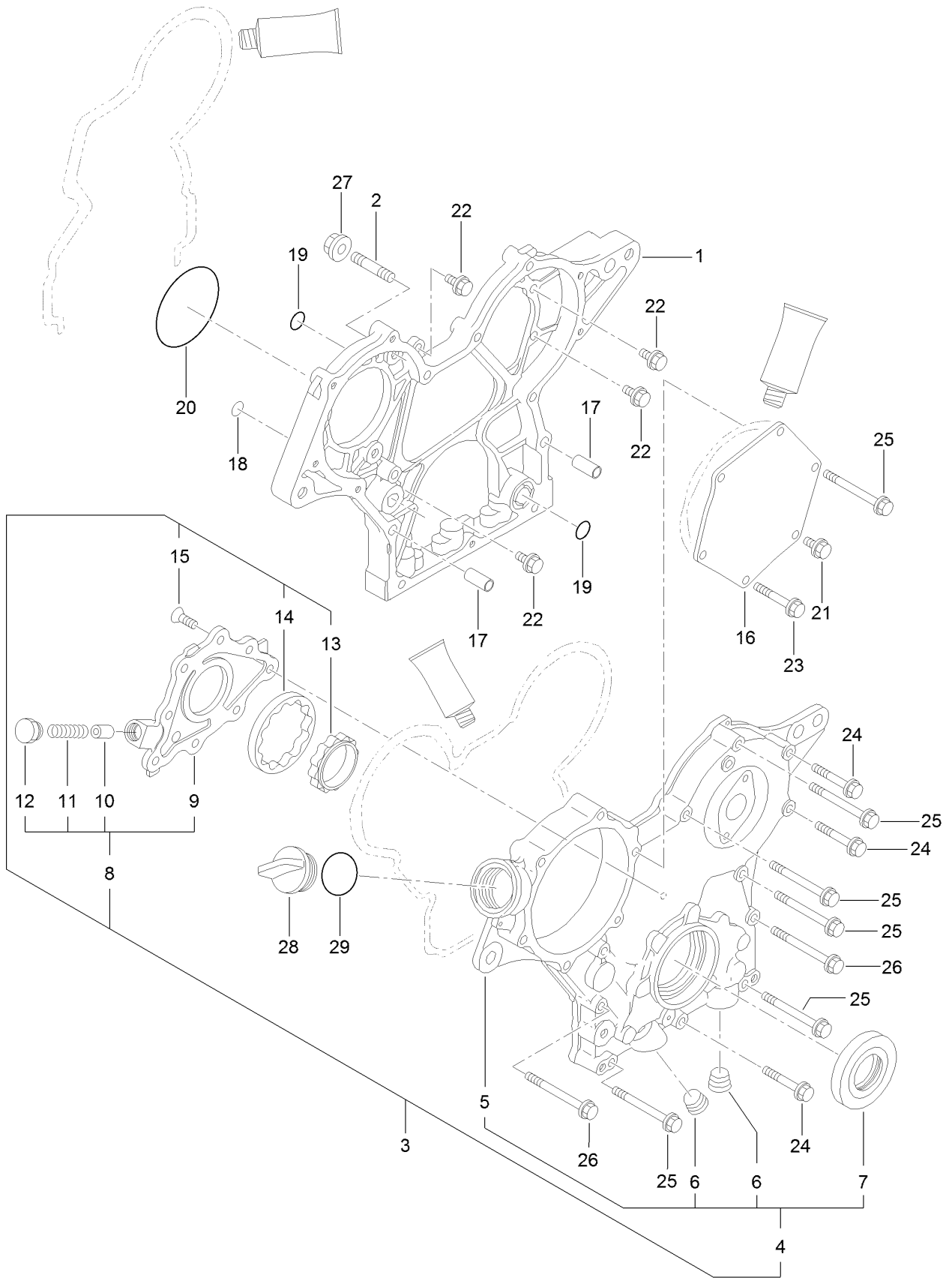
Cylinder Block Assembly



Cylinder Block Assembly (continued)

| <i>Ref.</i> | <i>Part Number</i> | <i>Qty.</i> | <i>Description</i> | <i>Ref.</i> | <i>Part Number</i> | <i>Qty.</i> | <i>Description</i> |
|-------------|--------------------|-------------|--------------------|-------------|--------------------|-------------|---------------------|
| 1 | 134-1542 | 1 | Cylinder Block ASM | 13 | 125-7237 | 1 | Plug |
| 4 | 135-4031 | 4 | Plug-Cup | 23 | 135-4036 | 2 | Thrust Bearing ASM |
| 5 | 135-4032 | 1 | Plug-Dish | 26 | 135-4037 | 14 | Bolt-Head, Cylinder |
| 6 | 135-4033 | 3 | Plug-Cup | 27 | 134-1396 | 1 | Gasket-Head |
| 7 | 135-4034 | 8 | Bolt-Cap, Metal | 28 | 135-4039 | 4 | Main Bearing ASM |
| 10 | 135-4035 | 1 | Bush-Camshaft | 31 | 135-4040 | 4 | Main Bearing ASM |
| 11 | 125-6969 | 1 | Plug | 34 | 135-4041 | 2 | Bearing-Thrust |
| 12 | 125-6973 | 1 | Plug | | | | |

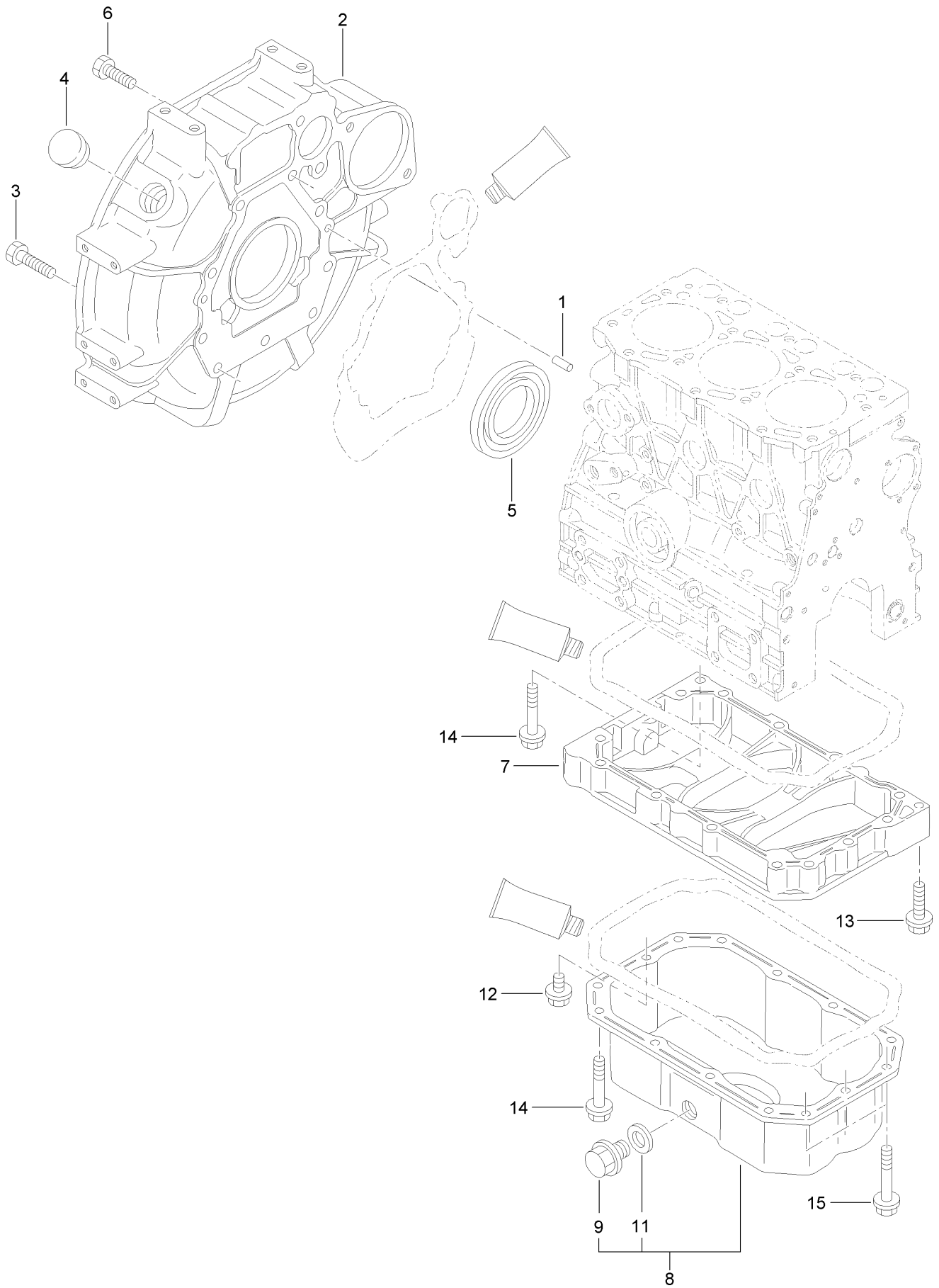
Gear Housing Assembly



Gear Housing Assembly (continued)

| <i>Ref.</i> | <i>Part Number</i> | <i>Qty.</i> | <i>Description</i> | <i>Ref.</i> | <i>Part Number</i> | <i>Qty.</i> | <i>Description</i> |
|-------------|--------------------|-------------|---------------------------------|-------------|--------------------|-------------|--------------------|
| 1 | 135-4042 | 1 | Case-Gear | 15 | 135-4055 | 8 | Screw |
| 2 | 135-4043 | 3 | Bolt-Stud | 16 | 135-4056 | 1 | Cover-Pump |
| 3 | 135-4044 | 1 | Complete Gear Case Cover ASM | 17 | 135-4057 | 4 | Dowel-Pipe |
| 4 | 135-4045 | 1 | Gear Case Cover ASM | 18 | 127-2973 | 1 | O-Ring |
| 5 | 135-4046 | 1 | Cover-Case, Gear | 19 | 135-4058 | 3 | O-Ring |
| 6 | 133-6798 | 2 | Plug | 20 | 125-6957 | 1 | O-Ring |
| 7 | 135-4047 | 1 | Seal-Oil | 21 | 125-7206 | 1 | Bolt |
| 8 | 135-4048 | 1 | Cover ASM | 22 | 125-7208 | 4 | Bolt |
| 9 | 135-4049 | 1 | Cover-Pump | 23 | 125-7211 | 4 | Bolt |
| 10 | 135-4050 | 1 | Valve-Relief | 24 | 125-7211 | 3 | Bolt |
| 11 | 135-4051 | 1 | Spring | 25 | 135-4059 | 7 | Bolt |
| 12 | 135-4052 | 1 | Plug | 26 | 136-8257 | 2 | Bolt |
| 13 | 135-4053 | 1 | Rotor-Inner | 27 | 125-7229 | 3 | Nut |
| 14 | 135-4054 | 1 | Rotor-Outer | 28 | 125-6972 | 1 | Cover-Filler |
| | | | | 29 | 125-7197 | 1 | O-Ring |

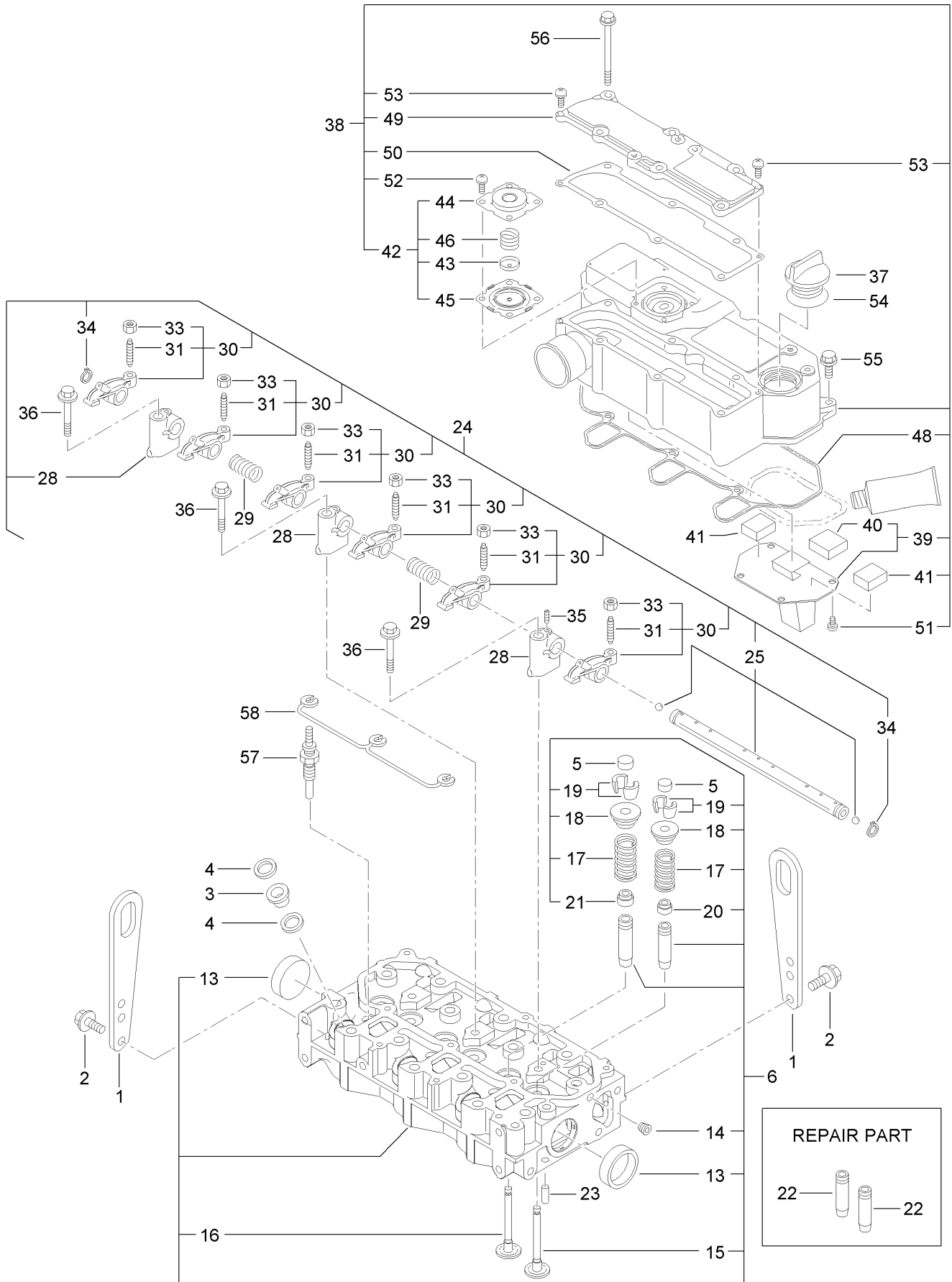
Flywheel Housing and Oil Sump Assembly



Flywheel Housing and Oil Sump Assembly (continued)

| <i>Ref.</i> | <i>Part Number</i> | <i>Qty.</i> | <i>Description</i> | <i>Ref.</i> | <i>Part Number</i> | <i>Qty.</i> | <i>Description</i> |
|-------------|--------------------|-------------|--------------------|-------------|--------------------|-------------|--------------------|
| 1 | 125-6995 | 2 | Pin | 8 | 134-1398 | 1 | Oil Pan ASM |
| 2 | 134-1397 | 1 | Housing-Flywheel | 9 | 135-4068 | 1 | Plug |
| 3 | 134-1457 | 3 | Bolt | 11 | 136-8236 | 1 | Washer-Seal |
| 4 | 125-6910 | 1 | Cap | 12 | 125-7212 | 1 | Bolt |
| 5 | 134-1463 | 1 | Seal-Oil | 13 | 125-7216 | 1 | Bolt |
| 6 | 125-7226 | 8 | Bolt | 14 | 125-7219 | 33 | Bolt |
| 7 | 135-4066 | 1 | Spacer-Pan, Oil | 15 | 125-7220 | 1 | Bolt |

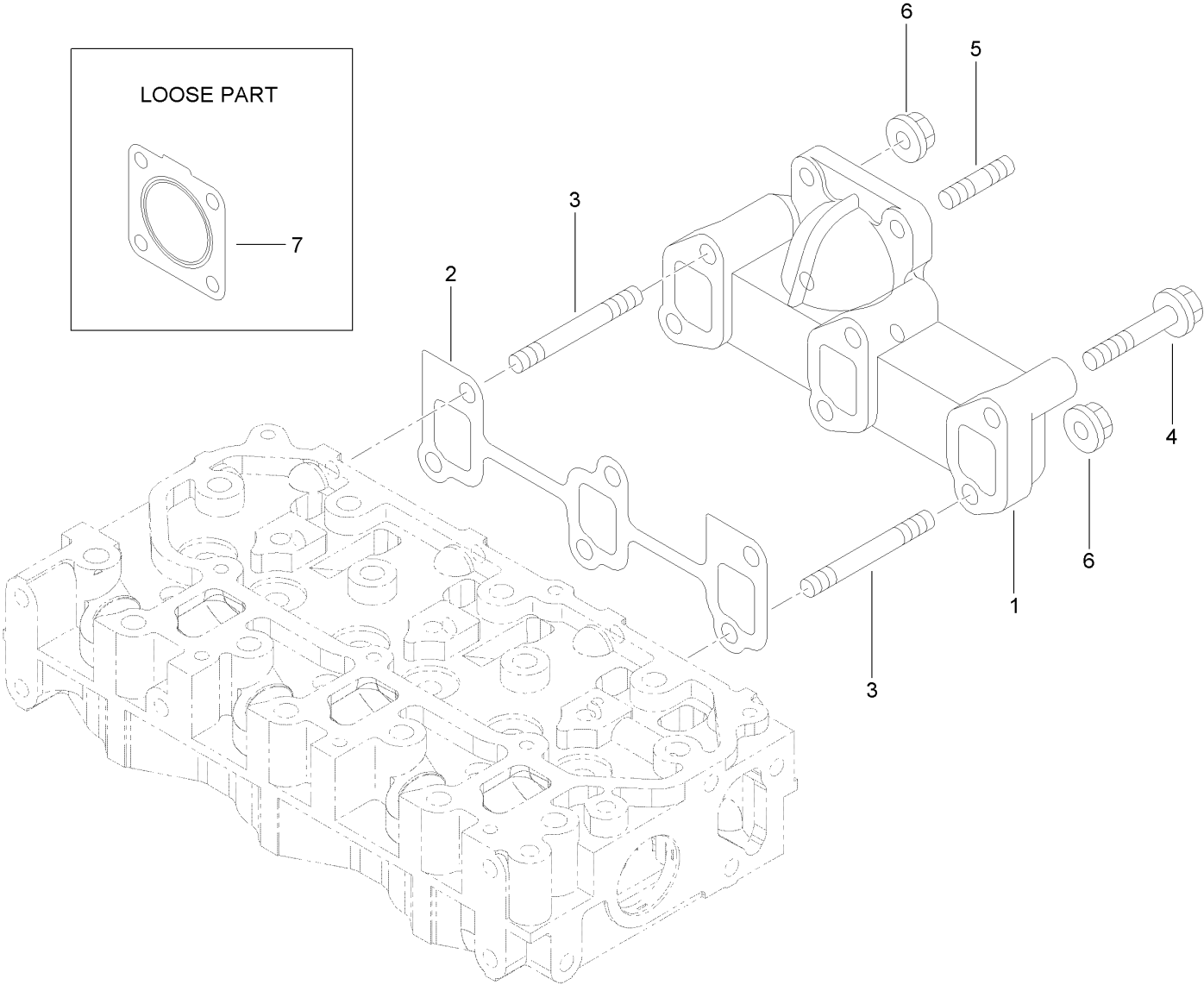
Cylinder Head and Cover Assembly



Cylinder Head and Cover Assembly (continued)

| <i>Ref.</i> | <i>Part Number</i> | <i>Qty.</i> | <i>Description</i> | <i>Ref.</i> | <i>Part Number</i> | <i>Qty.</i> | <i>Description</i> |
|-------------|--------------------|-------------|---------------------|-------------|--------------------|-------------|-----------------------------|
| 1 | 125-7111 | 2 | Lifter | 35 | 135-4083 | 1 | Screw |
| 2 | 125-7214 | 4 | Bolt | 36 | 125-7218 | 3 | Bolt |
| 3 | 135-4069 | 3 | Protector-Nozzle | 37 | 125-6972 | 1 | Cover-Filler |
| 4 | 135-4070 | 6 | Gasket-Nozzle | 38 | 134-1402 | 1 | Cylinder Head Cover ASM |
| 5 | 135-4071 | 6 | Cap-Valve | 39 | 135-4085 | 1 | Plate-Baffle |
| 6 | 134-1403 | 1 | Cylinder Head ASM | 40 | 135-4086 | 1 | Baffle-Breather |
| 13 | 135-4073 | 2 | Plug-Cup | 41 | 135-4086 | 2 | Baffle-Breather |
| 14 | 133-6797 | 1 | Plug | 42 | 135-4088 | 1 | Diaphragm ASM |
| 15 | 134-1399 | 3 | Valve-Suction | 43 | 135-4089 | 1 | Plate-Diaphragm |
| 16 | 134-1400 | 3 | Valve-Exhaust | 44 | 135-4090 | 1 | Cover-Diaphragm |
| 17 | 135-4076 | 6 | Spring-Valve | 45 | 135-4091 | 1 | Diaphragm |
| 18 | 125-7054 | 6 | Retainer | 46 | 135-4092 | 1 | Spring-Diaphragm |
| 19 | 125-6914 | 12 | Cotter | 48 | 135-4093 | 1 | Gasket-Cover, Cylinder Head |
| 20 | 125-6915 | 3 | Seal-Stem, Valve | 49 | 134-1401 | 1 | Cover-Head, Cylinder |
| 21 | 125-6916 | 3 | Seal-Stem, Valve | 50 | 135-4095 | 1 | Gasket |
| 22 | 125-6917 | 6 | Guide | 51 | 125-7186 | 4 | Screw |
| 23 | 125-7184 | 2 | Pin-Spring | 52 | 125-7186 | 4 | Screw |
| 24 | 135-4077 | 1 | Rocker Support ASM | 53 | 127-3168 | 2 | Screw |
| 25 | 135-4078 | 1 | Rocker Shaft ASM | 54 | 125-7197 | 1 | O-Ring |
| 28 | 135-4079 | 3 | Support-Arm, Rocker | 55 | 125-7209 | 3 | Bolt |
| 29 | 135-4080 | 2 | Spring-Rocker | 56 | 135-4096 | 6 | Bolt |
| 30 | 135-4081 | 6 | Rocker Arm ASM | 57 | 134-1442 | 3 | Plug-Glow |
| 31 | 125-7013 | 6 | Screw-Adjust, Valve | 58 | 134-1443 | 1 | Connector-Plug, Glow |
| 33 | 125-7014 | 6 | Nut | | | | |
| 34 | 135-7082 | 2 | Ring | | | | |

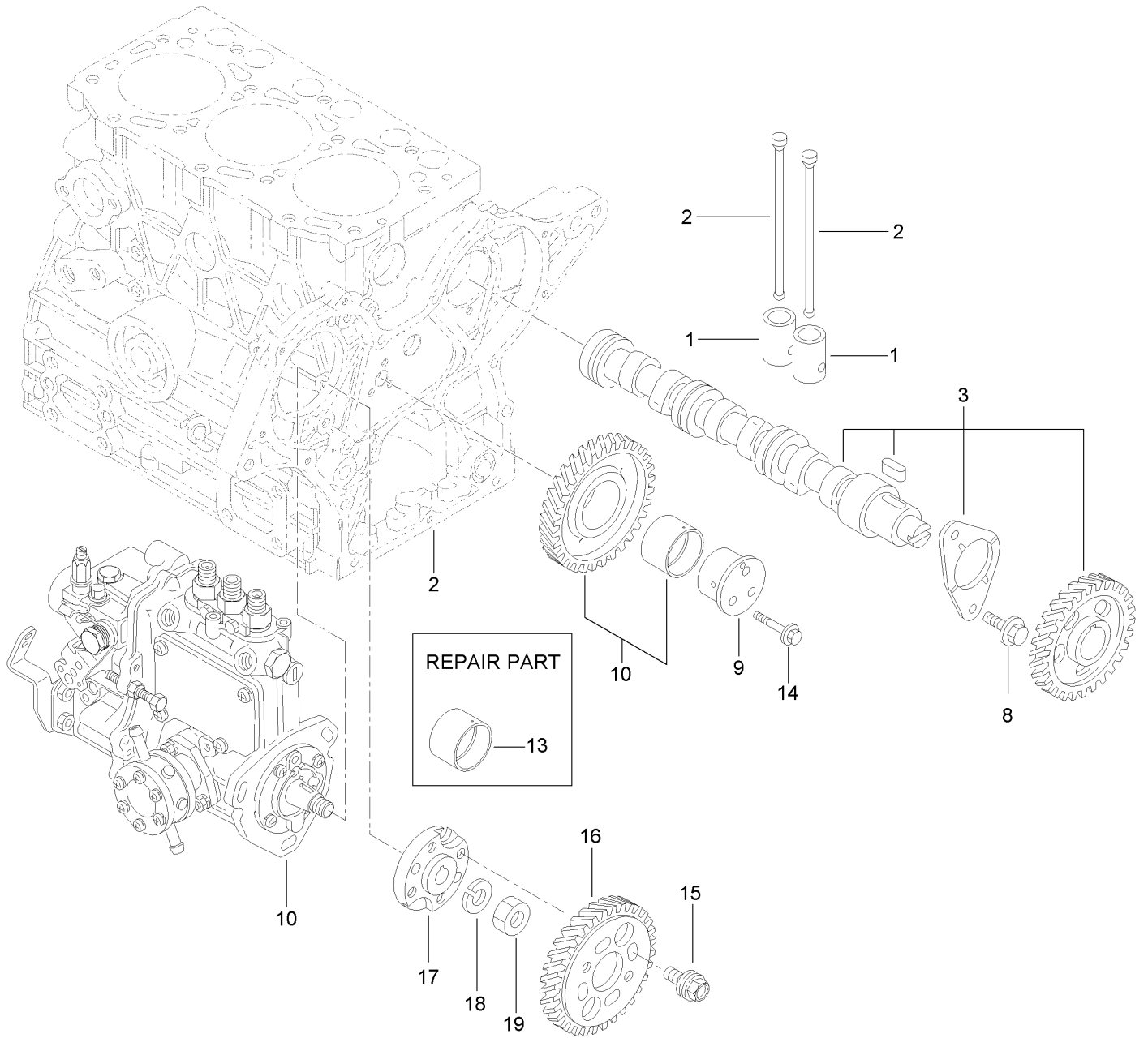
Exhaust Manifold Assembly



Exhaust Manifold Assembly (continued)

| <i>Ref.</i> | <i>Part Number</i> | <i>Qty.</i> | <i>Description</i> | <i>Ref.</i> | <i>Part Number</i> | <i>Qty.</i> | <i>Description</i> |
|-------------|--------------------|-------------|--------------------------|-------------|--------------------|-------------|--------------------|
| 1 | 134-1444 | 1 | Manifold-Exhaust | 5 | 125-6906 | 4 | Stud |
| 2 | 135-4107 | 1 | Gasket-Manifold, Exhaust | 6 | 125-7229 | 2 | Nut |
| 3 | 134-1404 | 2 | Bolt-Stud | 7 | 134-1383 | 1 | Gasket-Silencer |
| 4 | 134-1452 | 4 | Bolt | | | | |

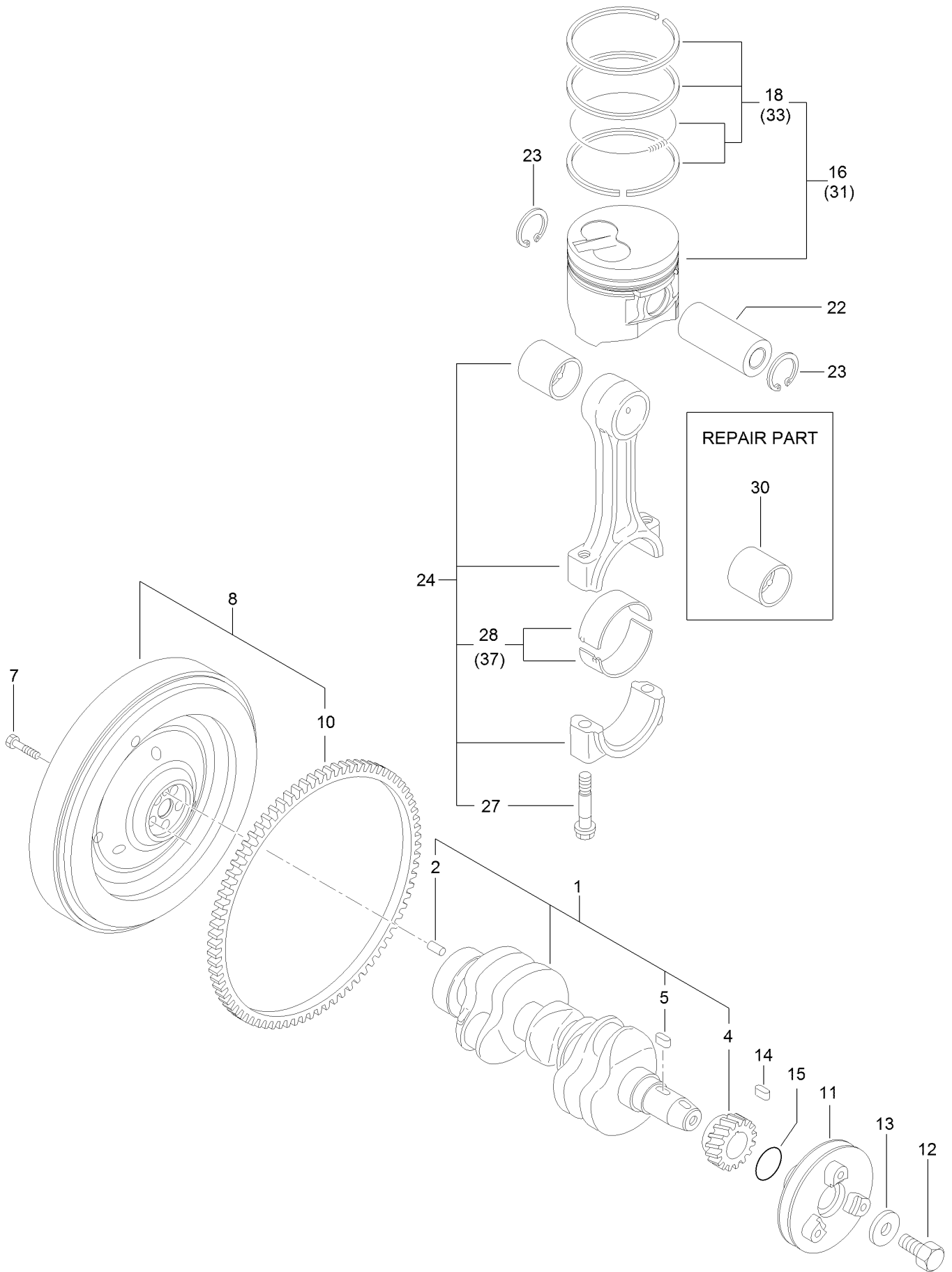
Camshaft and Driving Gear Assembly



Camshaft and Driving Gear Assembly (continued)

| <i>Ref.</i> | <i>Part Number</i> | <i>Qty.</i> | <i>Description</i> | <i>Ref.</i> | <i>Part Number</i> | <i>Qty.</i> | <i>Description</i> |
|-------------|--------------------|-------------|--------------------|-------------|--------------------|-------------|--------------------|
| 1 | 135-4108 | 6 | Tappet | 14 | 135-4147 | 3 | Bolt |
| 2 | 135-4109 | 6 | Push-Rod | 15 | 125-7020 | 4 | Bolt |
| 3 | 135-4110 | 1 | Camshaft ASM | 16 | 135-4148 | 1 | Gear-Pump |
| 8 | 125-7206 | 2 | Bolt | 17 | 135-4150 | 1 | Flange |
| 9 | 135-4145 | 1 | Shaft-Idle | 18 | 135-4220 | 1 | Washer-Spring |
| 10 | 135-4146 | 1 | Idle Gear ASM | 19 | 133-2506 | 1 | Nut |
| 13 | 135-4149 | 1 | Bushing-Gear, Idle | | | | |

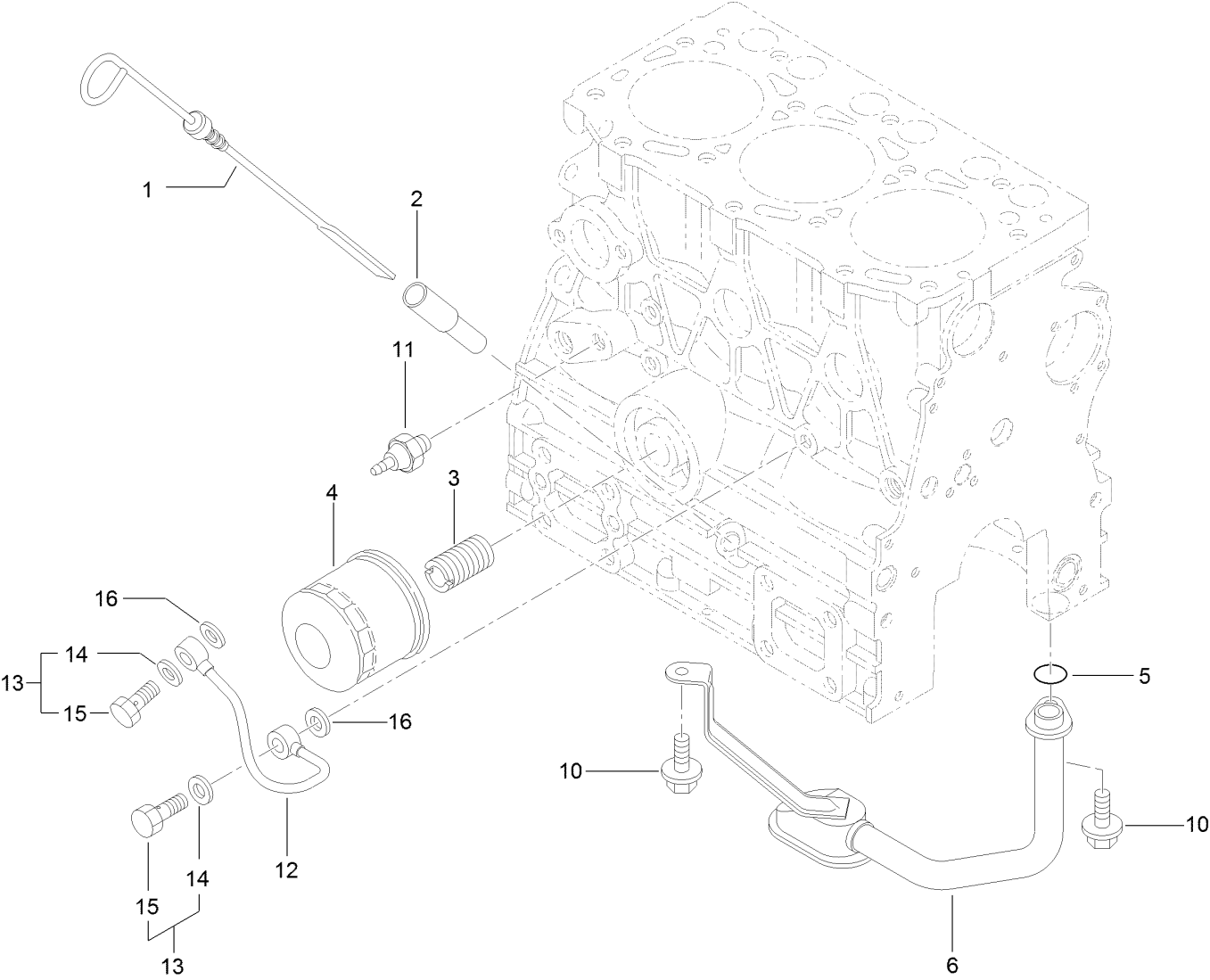
Crankshaft and Piston Assembly



Crankshaft and Piston Assembly (continued)

| <i>Ref.</i> | <i>Part Number</i> | <i>Qty.</i> | <i>Description</i> | <i>Ref.</i> | <i>Part Number</i> | <i>Qty.</i> | <i>Description</i> |
|-------------|--------------------|-------------|--------------------|-------------|--------------------|-------------|----------------------|
| 1 | 134-1405 | 1 | Crankshaft ASM | 16 | 134-1407 | 3 | Piston ASM |
| 2 | 125-6995 | 1 | Pin | 18 | 134-1409 | 3 | Piston Ring Set |
| 4 | 135-4153 | 1 | Gear-Crankshaft | 22 | 134-1408 | 3 | Pin-Piston |
| 5 | 135-4154 | 1 | Key | 23 | 135-4166 | 6 | Ring |
| 7 | 125-6951 | 5 | Bolt | 24 | 134-1412 | 3 | Connecting Rod ASM |
| 8 | 134-1392 | 1 | Flywheel ASM | 27 | 135-4168 | 6 | Bolt-Rod, Connecting |
| 10 | 125-6943 | 1 | Gear | 28 | 135-4169 | 3 | Bearing-Pin, Crank |
| 11 | 134-1445 | 1 | V-Pulley | 30 | 135-4170 | 3 | Bearing-Pin, Piston |
| 12 | 134-1391 | 1 | Bolt-Flange | 31 | 134-1411 | 3 | Piston ASM (0.25 Os) |
| 13 | 134-1406 | 1 | Washer | 33 | 134-1410 | 3 | Ring Set (0.25 Os) |
| 14 | 135-4154 | 1 | Key | 37 | 135-4171 | 3 | Bearing-Pin (0.25) |
| 15 | 134-1538 | 1 | O-Ring | | | | |

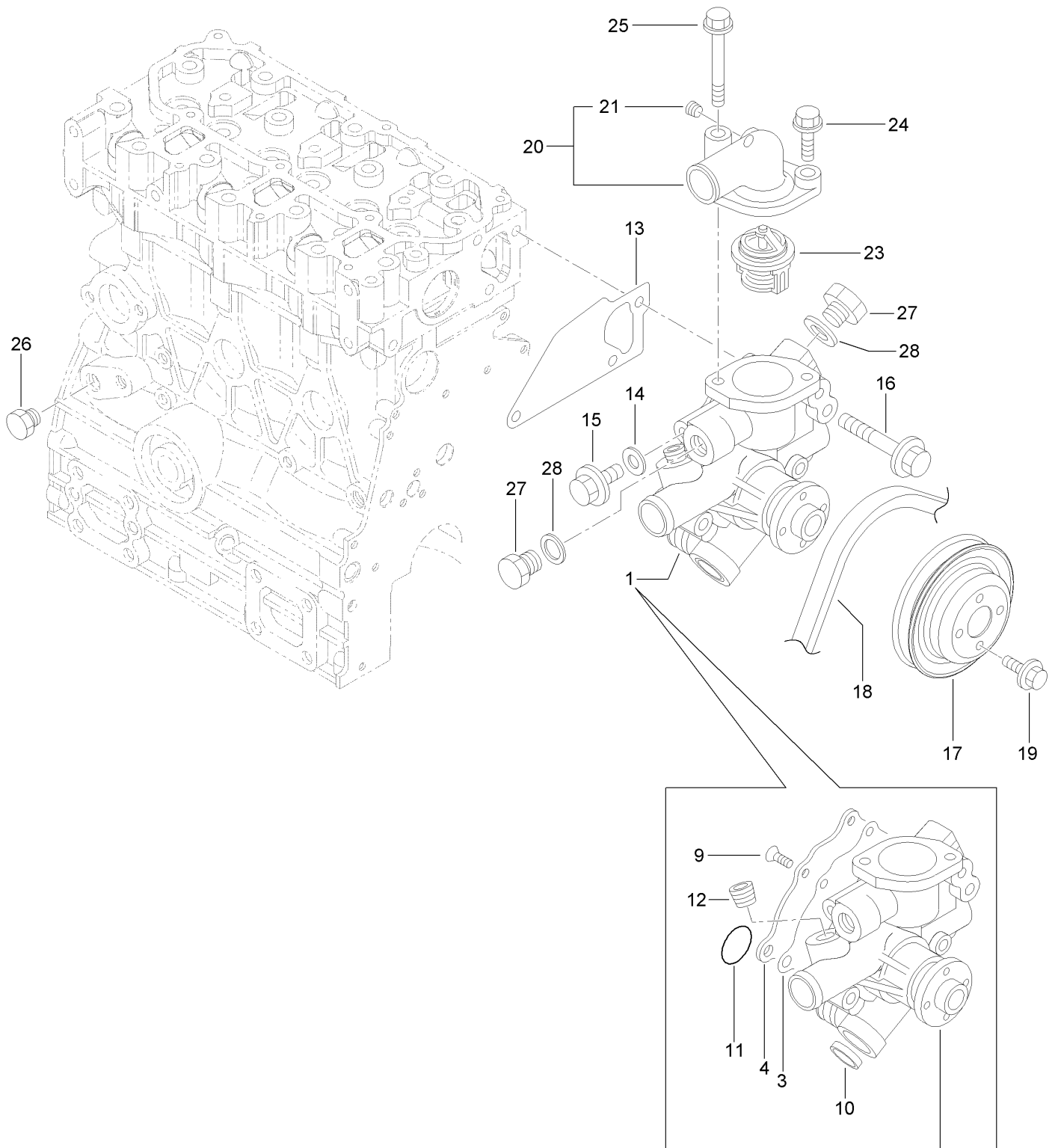
Lubrication and Oil System Assembly



Lubrication and Oil System Assembly (continued)

| <i>Ref.</i> | <i>Part Number</i> | <i>Qty.</i> | <i>Description</i> | <i>Ref.</i> | <i>Part Number</i> | <i>Qty.</i> | <i>Description</i> |
|-------------|--------------------|-------------|--------------------|-------------|--------------------|-------------|--------------------|
| 1 | 134-1413 | 1 | Dipstick | 11 | 134-1377 | 1 | Switch-Hydraulic |
| 2 | 125-6954 | 1 | Guide-Dipstick | 12 | 135-4182 | 1 | Pipe-Oil |
| 3 | 134-1467 | 1 | Bolt-Stud | 13 | 125-6988 | 2 | Joint Bolt ASM |
| 4 | 135-4181 | 1 | Filter-Oil, Engine | 14 | 125-7174 | 2 | Washer-Seal |
| 5 | 135-4178 | 1 | O-Ring | 15 | 125-7194 | 2 | Bolt-Joint |
| 6 | 134-1414 | 1 | Oil Inlet Pipe ASM | 16 | 125-7174 | 2 | Washer-Seal |
| 10 | 125-7205 | 2 | Bolt | | | | |

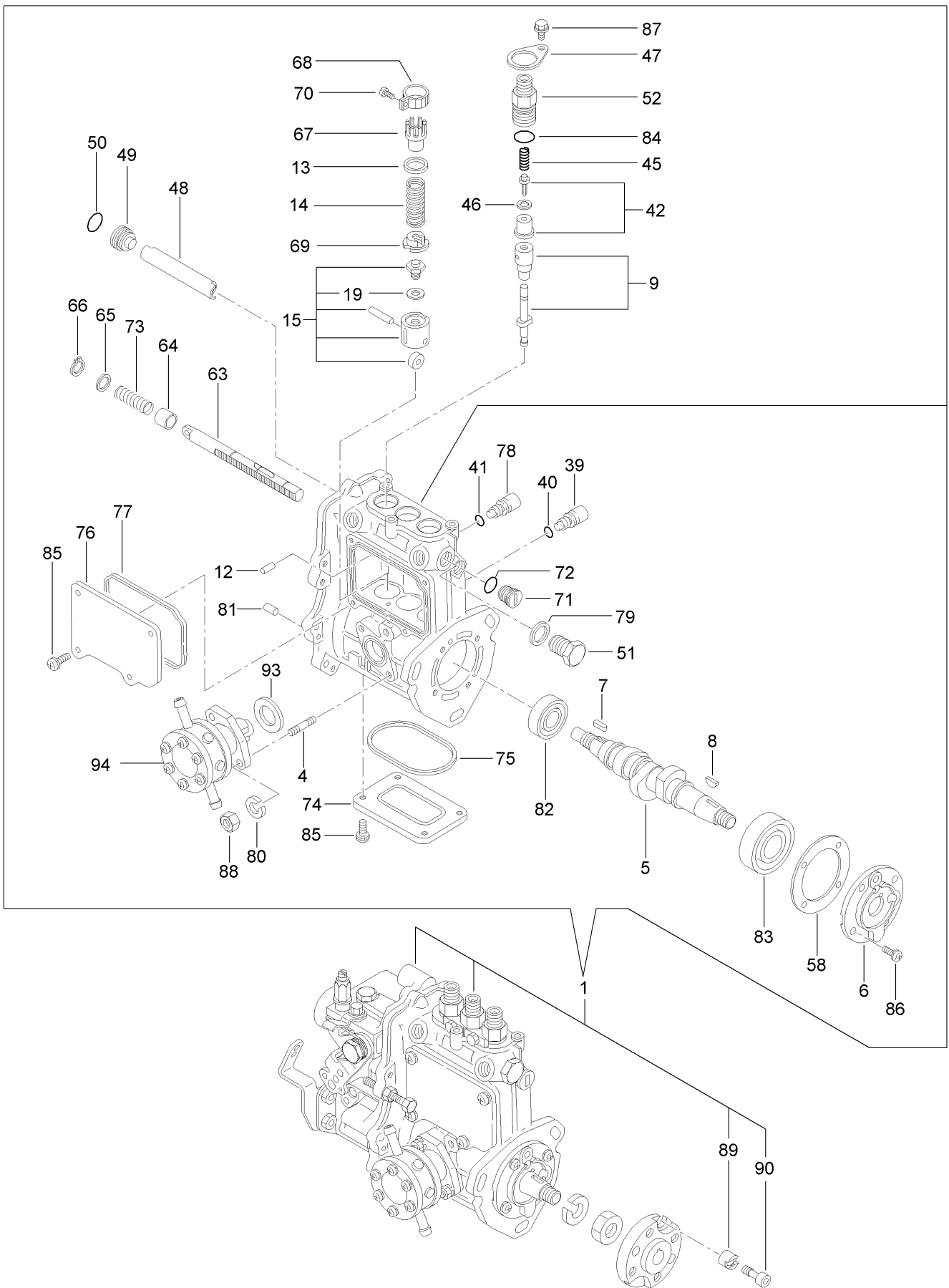
Cooling Water System Assembly



Cooling Water System Assembly (continued)

| <i>Ref.</i> | <i>Part Number</i> | <i>Qty.</i> | <i>Description</i> | <i>Ref.</i> | <i>Part Number</i> | <i>Qty.</i> | <i>Description</i> |
|-------------|--------------------|-------------|--------------------|-------------|--------------------|-------------|--------------------|
| 1 | 134-1415 | 1 | Water Pump ASM | 17 | 134-1417 | 1 | V-Pulley |
| 3 | 135-4188 | 1 | Gasket | 18 | 134-1455 | 1 | V-Belt |
| 4 | 135-4189 | 1 | Cover | 19 | 125-7206 | 4 | Bolt |
| 9 | 133-2504 | 4 | Screw | 20 | 134-1390 | 1 | Cover ASM |
| 10 | 135-4192 | 1 | Plug | 21 | 134-1381 | 1 | Plug |
| 11 | 134-1416 | 1 | O-Ring | 23 | 135-4200 | 1 | Thermostat |
| 12 | 125-7123 | 1 | Plug | 24 | 125-7215 | 1 | Bolt |
| 13 | 135-4193 | 1 | Gasket-Pump, Water | 25 | 135-4202 | 1 | Bolt |
| 14 | 125-7192 | 1 | Gasket | 26 | 125-7171 | 1 | Plug-Drain |
| 15 | 125-7212 | 1 | Bolt | 27 | 125-6953 | 2 | Plug |
| 16 | 125-7220 | 3 | Bolt | 28 | 125-6979 | 2 | Gasket |

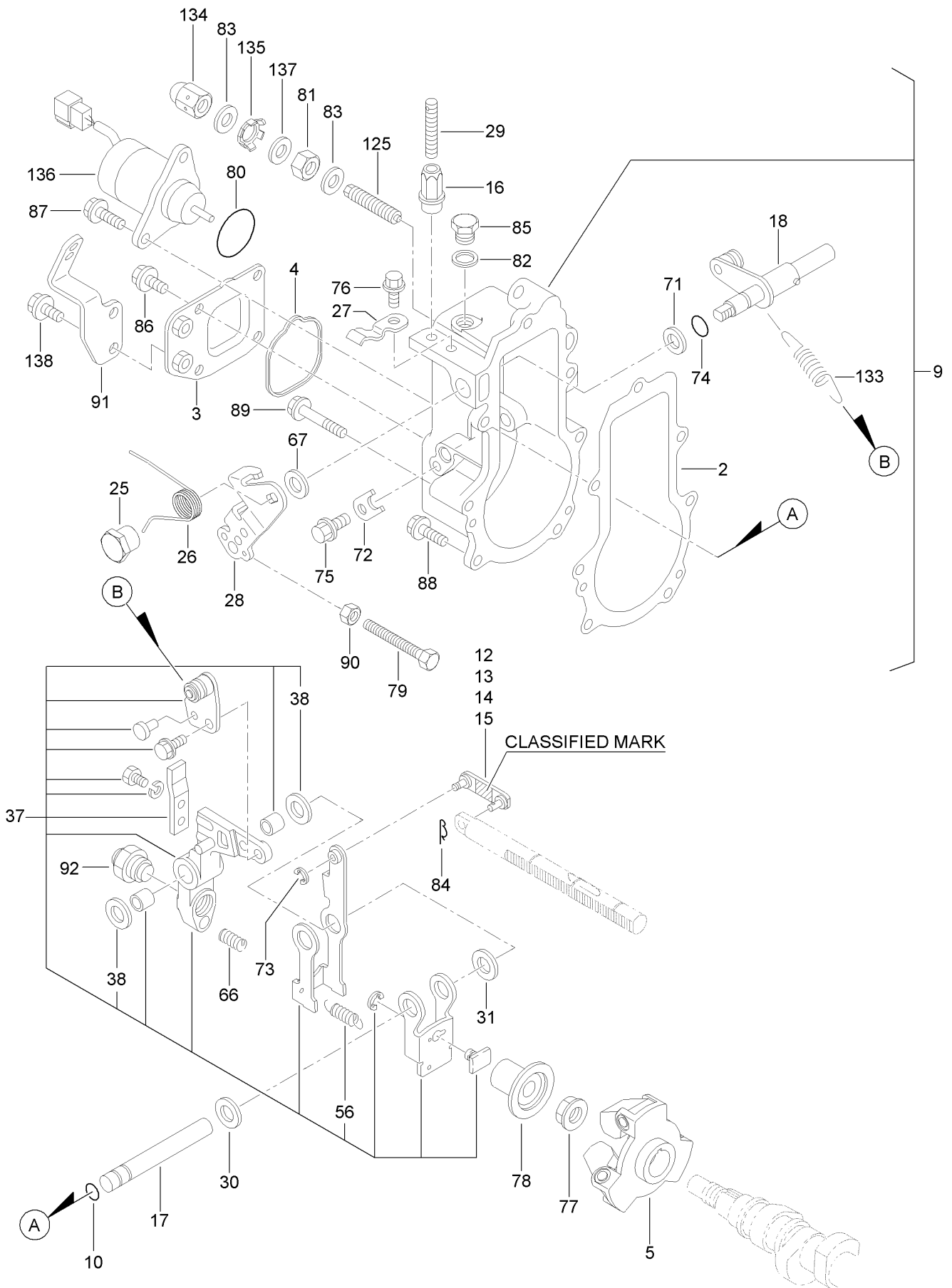
Fuel Injection Pump Assembly



Fuel Injection Pump Assembly (continued)

| <i>Ref.</i> | <i>Part Number</i> | <i>Qty.</i> | <i>Description</i> | <i>Ref.</i> | <i>Part Number</i> | <i>Qty.</i> | <i>Description</i> |
|-------------|--------------------|-------------|-----------------------|-------------|--------------------|-------------|--------------------|
| 1 | 134-1544 | 1 | Injection Pump ASM | 66 | 134-1493 | 1 | Circlip |
| 4 | 135-4205 | 2 | Bolt-Stud | 67 | 134-1494 | 3 | Pinion-Control |
| 5 | 134-1418 | 1 | Camshaft | 68 | 134-1468 | 3 | Pinion |
| 6 | 134-1419 | 1 | Support-Camshaft | 69 | 134-1428 | 3 | Retainer-Spring |
| 7 | 134-1420 | 1 | Key-Feather, Parallel | 70 | 134-1469 | 3 | Screw-Pinion |
| 8 | 135-4206 | 1 | Key-Feather, Woodruff | 71 | 135-4213 | 1 | Plug-Rack |
| 9 | 134-1446 | 3 | Fuel Plunger ASM | 72 | 135-4214 | 1 | O-Ring |
| 12 | 134-1489 | 3 | Pin | 73 | 134-1495 | 1 | Spring-Rack |
| 13 | 134-1521 | 3 | Retainer-Spring | 74 | 135-4215 | 1 | Cover |
| 14 | 134-1421 | 3 | Spring-Plunger | 75 | 135-4216 | 1 | Gasket |
| 15 | 134-1422 | 3 | Tappet ASM | 76 | 135-4217 | 1 | Cover |
| 19 | 134-1496 | 1 | Adjusting Shim Set | 77 | 135-4218 | 1 | Gasket |
| 39 | 125-7156 | 3 | Stopper | 78 | 135-4219 | 1 | Stopper-Rack |
| 40 | 135-4207 | 3 | O-Ring | 79 | 136-8236 | 1 | Washer-Seal |
| 41 | 135-4207 | 1 | O-Ring | 80 | 134-1526 | 2 | Washer-Spring |
| 42 | 134-1423 | 3 | Delivery Valve ASM | 81 | 125-7183 | 2 | Pin-Spring |
| 45 | 134-1424 | 3 | Spring-Delivery | 82 | 134-1533 | 1 | Bearing-Ball |
| 46 | 134-1464 | 3 | Gasket-Delivery | 83 | 134-1534 | 1 | Bearing-Ball |
| 47 | 134-1379 | 3 | Plate-Locking | 84 | 134-1536 | 3 | O-Ring |
| 48 | 135-4209 | 1 | Deflector | 85 | 135-4221 | 8 | Screw |
| 49 | 135-4210 | 1 | Plug-Deflector | 86 | 134-1539 | 4 | Screw |
| 50 | 135-4211 | 1 | O-Ring | 87 | 134-1540 | 3 | Bolt |
| 51 | 135-4212 | 1 | Plug-Deflector | 88 | 127-4775 | 2 | Nut |
| 52 | 134-1522 | 3 | Delivery Valve ASM | 89 | 134-1425 | 1 | Collar |
| 58 | 134-1490 | 1 | Adjusting Shim Set | 90 | 134-1426 | 1 | Bolt |
| 63 | 134-1427 | 1 | Rack-Control | 93 | 135-4223 | 1 | Gasket |
| 64 | 134-1491 | 1 | Bushing-Rack | 94 | 134-1470 | 1 | Fuel Feed Pump ASM |
| 65 | 134-1492 | 1 | Spacer | | | | |

Governor Assembly



Governor Assembly (continued)

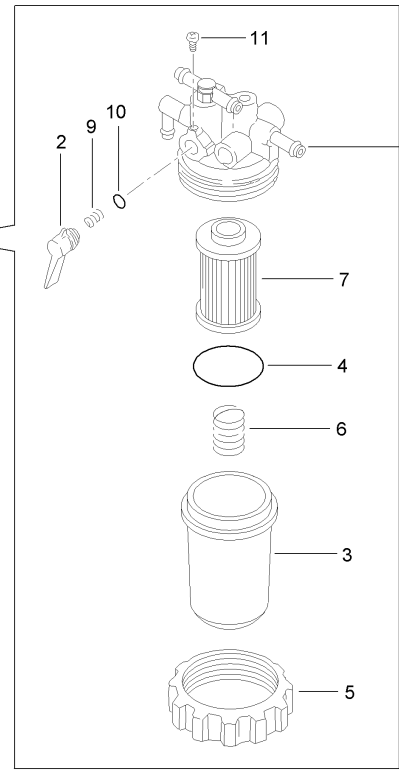
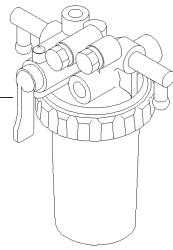
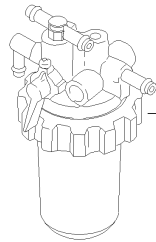
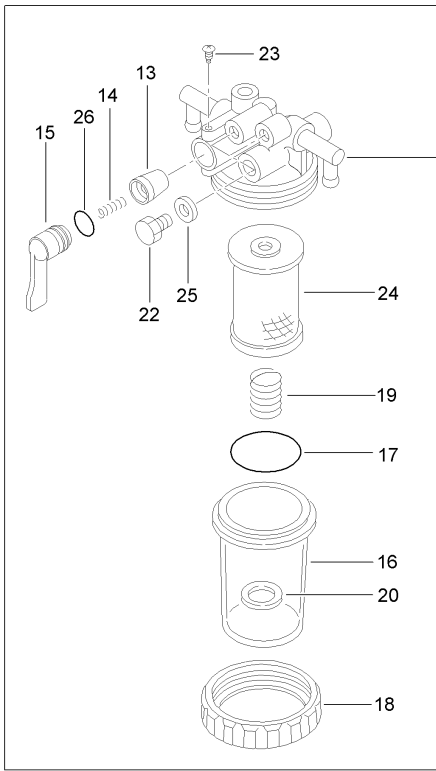
| <i>Ref.</i> | <i>Part Number</i> | <i>Qty.</i> | <i>Description</i> | <i>Ref.</i> | <i>Part Number</i> | <i>Qty.</i> | <i>Description</i> |
|-------------|--------------------|-------------|------------------------|-------------|--------------------|-------------|--------------------|
| 2 | 135-4227 | 1 | Gasket | 73 | 134-1527 | 1 | Ring |
| 3 | 134-1449 | 1 | Cover-Case, Governor | 74 | 134-1537 | 1 | O-Ring |
| 4 | 134-1435 | 1 | Gasket | 75 | 125-7205 | 1 | Bolt |
| 5 | 134-1440 | 1 | Governor Weight ASM | 76 | 125-7205 | 1 | Bolt |
| 9 | 134-1389 | 1 | Governor Case ASM | 77 | 125-6993 | 1 | Nut |
| 10 | 135-4207 | 1 | O-Ring | 78 | 134-1497 | 1 | Sleeve |
| 12 | 134-1436 | 1 | Link (Mark :3) | 79 | 134-1499 | 1 | Bolt-Limiting |
| 13 | 134-1437 | 1 | Link (Mark 98) | 80 | 134-1520 | 1 | O-Ring |
| 14 | 134-1438 | 1 | Link (Mark 88) | 81 | 134-1504 | 1 | Nut |
| 15 | 134-1439 | 1 | Link (Mark 03) | 82 | 125-7175 | 1 | Washer-Seal |
| 16 | 134-1503 | 1 | Nut | 83 | 125-7176 | 2 | Washer-Seal |
| 17 | 134-1466 | 1 | Shaft-Lever, Governor | 84 | 134-1529 | 1 | Pin |
| 18 | 134-1441 | 1 | Shaft ASM | 85 | 134-1532 | 1 | Plug |
| 25 | 134-1508 | 1 | Nut | 86 | 125-7205 | 4 | Bolt |
| 26 | 134-1386 | 1 | Spring-Lever | 87 | 125-7207 | 2 | Bolt |
| 27 | 134-1387 | 1 | Retainer | 88 | 125-7209 | 4 | Bolt |
| 28 | 134-1385 | 1 | Lever-Control | 89 | 136-8256 | 3 | Bolt |
| 29 | 134-1498 | 1 | Bolt-Limiting | 90 | 134-1541 | 1 | Nut-Lock |
| 30 | 134-1502 | 1 | Shim (T=0.6) | 91 | 134-1450 | 1 | Support-Wire |
| 31 | 134-1500 | 1 | Shim ASM | 92 | 134-1382 | 1 | Adapter ASM |
| 37 | 134-1451 | 1 | Governor Lever ASM | 125 | 134-1523 | 1 | Fuel Limiter ASM |
| 38 | 134-1525 | 2 | Plunger Shim Set | 133 | 134-1517 | 1 | Spring-Governor |
| 56 | 134-1516 | 1 | Spring-Lever, Governor | 134 | 134-1505 | 1 | Nut-Cap |
| 66 | 134-1471 | 1 | Spring-Limiter, Fuel | 135 | 134-1506 | 1 | Plate |
| 67 | 134-1518 | 1 | Shim Set | 136 | 134-1380 | 1 | Solenoid-Stop |
| 71 | 134-1519 | 1 | Shim (T=1.0) | 137 | 134-1530 | 1 | Gasket |
| 72 | 134-1395 | 1 | Stopper-Shaft | 138 | 125-7205 | 2 | Bolt |

Fuel Injection Valve Assembly (continued)

| <i>Ref.</i> | <i>Part Number</i> | <i>Qty.</i> | <i>Description</i> | <i>Ref.</i> | <i>Part Number</i> | <i>Qty.</i> | <i>Description</i> |
|-------------|--------------------|-------------|---------------------------|-------------|--------------------|-------------|--------------------|
| 1 | 134-1429 | 3 | Injection Valve ASM | 33 | 135-4243 | 1 | Joint-Pipe |
| 2 | 134-1378 | 3 | Holder-Nozzle | 34 | 125-7176 | 2 | Washer-Seal |
| 3 | 134-1430 | 3 | Fuel Injection Nozzle ASM | 35 | 134-1431 | 1 | Return Pipe ASM |
| 4 | 135-4231 | 3 | Adjusting Shim Set | 41 | 135-4237 | 3 | Gasket |
| 15 | 134-1488 | 1 | Retainer-Pipe | 42 | 134-1388 | 1 | Return Hose ASM |
| 18 | 125-7027 | 2 | Bolt | 43 | 136-8225 | 2 | Clamp-Hose |
| 20 | 134-1432 | 1 | Injection Pipe ASM | 45 | 134-1384 | 1 | Joint-Overflow |
| 24 | 134-1433 | 1 | Injection Pipe ASM | 46 | 135-4240 | 3 | Nut-Nozzle |
| 28 | 134-1434 | 1 | Injection Pipe ASM | 47 | 135-4241 | 1 | Check Valve ASM |
| 32 | 135-4242 | 1 | Bolt-Joint, Pipe | 53 | 125-7176 | 2 | Washer-Seal |

Fuel Filter Assembly

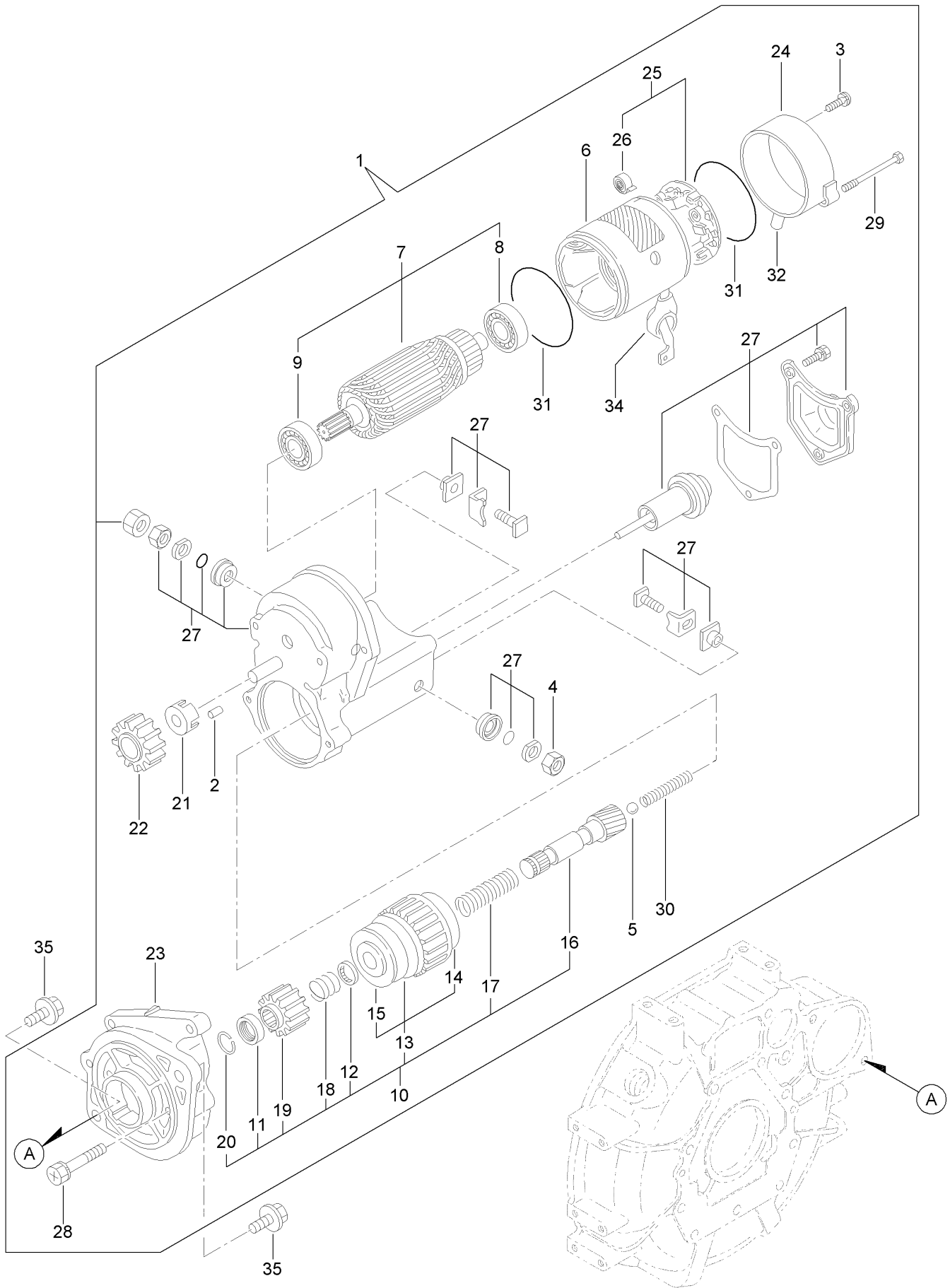
LOOSE PARTS



Fuel Filter Assembly (continued)

| <i>Ref.</i> | <i>Part Number</i> | <i>Qty.</i> | <i>Description</i> | <i>Ref.</i> | <i>Part Number</i> | <i>Qty.</i> | <i>Description</i> |
|-------------|--------------------|-------------|----------------------|-------------|--------------------|-------------|---------------------|
| 1 | 134-1447 | 1 | Fuel Filter ASM | 14 | 134-1373 | 1 | Spring-Valve, Fuel |
| 2 | 134-1454 | 1 | Lever-Fuel | 15 | 134-1374 | 1 | Handle, Cock |
| 3 | 134-1459 | 1 | Cup-Strainer, Fuel | 16 | 134-1462 | 1 | Cup-Strainer, Fuel |
| 4 | 134-1371 | 1 | O-Ring | 17 | 134-1371 | 1 | O-Ring |
| 5 | 134-1376 | 1 | Ring-Retaining, Cup | 18 | 134-1376 | 1 | Ring-Retaining, Cup |
| 6 | 134-1458 | 1 | Spring-Element | 19 | 134-1555 | 1 | Spring |
| 7 | 134-3085 | 1 | Element-Filter, Fuel | 20 | 134-1461 | 1 | Float |
| 9 | 134-1373 | 1 | Spring-Valve, Fuel | 22 | 134-1370 | 2 | Plug-Hex |
| 10 | 134-1535 | 1 | O-Ring | 23 | 134-1375 | 1 | Screw-Pan |
| 11 | 134-1375 | 1 | Screw-Pan | 24 | 134-1524 | 1 | Filter-Fuel |
| 12 | 134-1509 | 1 | Water Separator ASM | 25 | 134-1531 | 2 | Gasket |
| 13 | 134-1372 | 1 | Valve-Taper | 26 | 134-1535 | 1 | O-Ring |

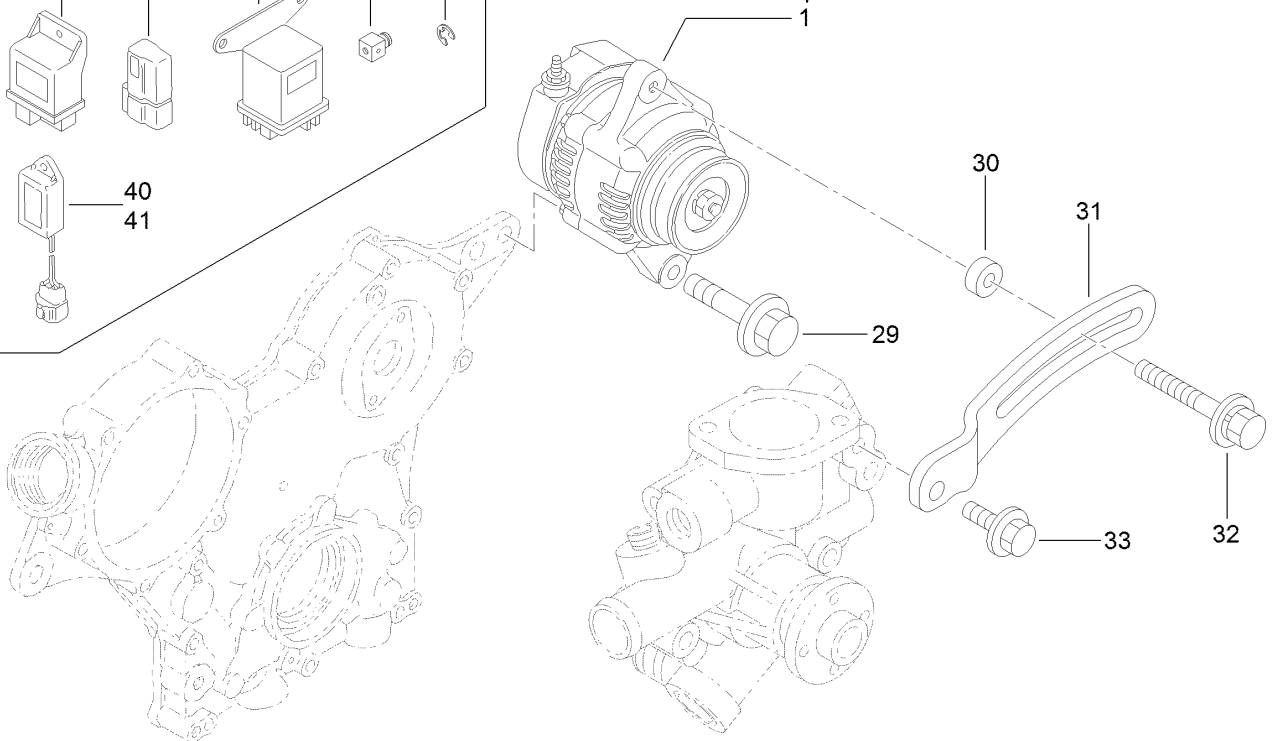
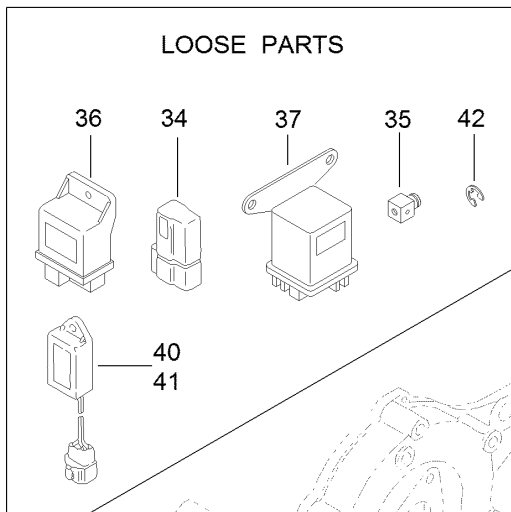
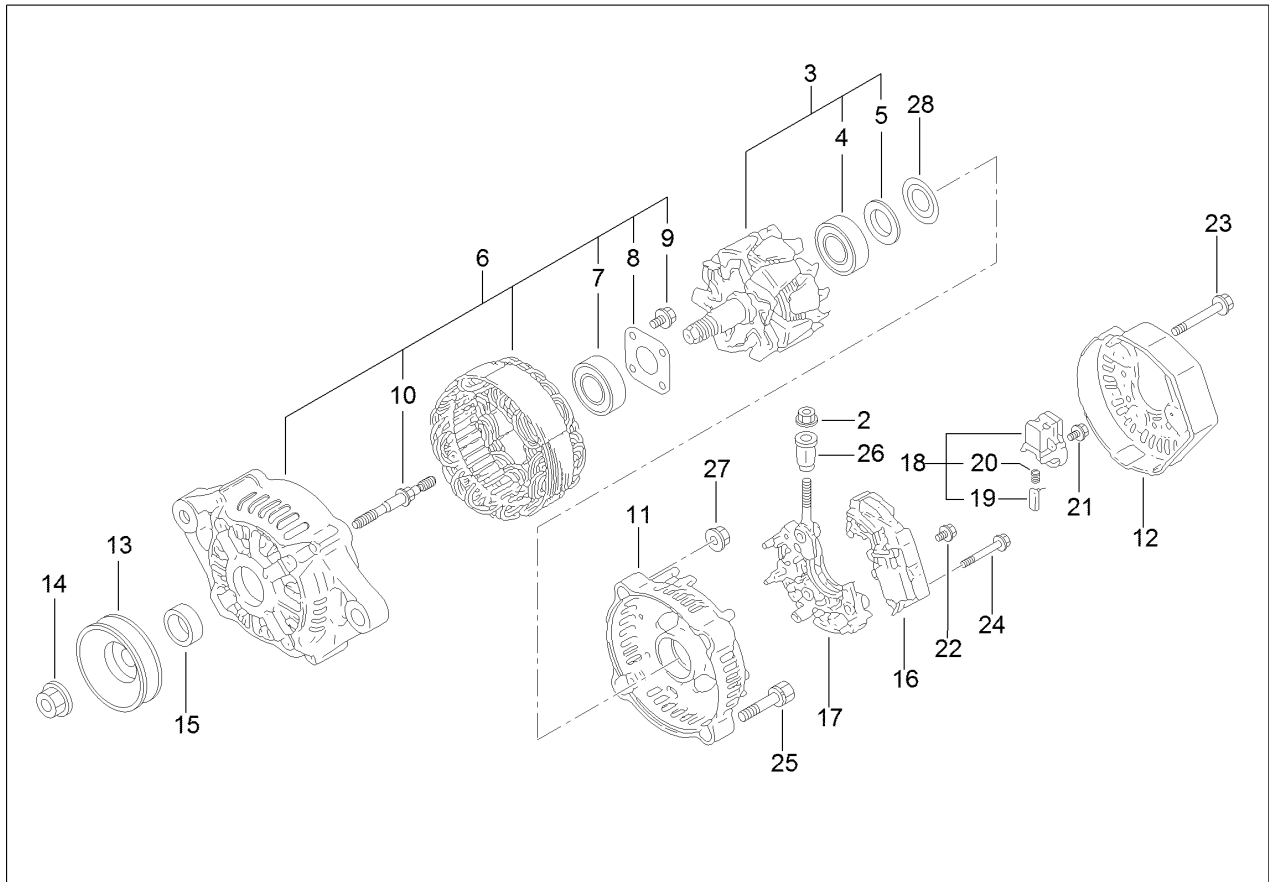
Starter Motor Assembly



Starter Motor Assembly (continued)

| <i>Ref.</i> | <i>Part Number</i> | <i>Qty.</i> | <i>Description</i> | <i>Ref.</i> | <i>Part Number</i> | <i>Qty.</i> | <i>Description</i> |
|-------------|--------------------|-------------|--------------------|-------------|--------------------|-------------|--------------------|
| 1 | 134-1448 | 1 | Starter | 18 | 134-1515 | 1 | Spring |
| 2 | 134-1546 | 5 | Roller | 19 | 134-1548 | 1 | Pinion-Starter |
| 3 | 134-1487 | 2 | Screw | 20 | 134-1484 | 1 | Ring-Snap |
| 4 | 134-1552 | 1 | Nut | 21 | 134-1474 | 1 | Retainer |
| 5 | 134-1553 | 1 | Ball-Steel | 22 | 134-1475 | 1 | Pinion |
| 6 | 134-1510 | 1 | Yoke ASM | 23 | 134-1551 | 1 | Housing |
| 7 | 134-1511 | 1 | Armature ASM | 24 | 134-1512 | 1 | Cover |
| 8 | 134-1472 | 1 | Bearing-Ball | 25 | 134-1513 | 1 | Holder ASM |
| 9 | 134-1473 | 1 | Bearing-Ball | 26 | 134-1554 | 4 | Spring |
| 10 | 134-1549 | 1 | Starter Kit | 27 | 134-1550 | 1 | Switch ASM |
| 11 | 134-1545 | 1 | Nut | 28 | 134-1476 | 2 | Bolt |
| 12 | 134-1547 | 1 | Retainer | 29 | 134-1514 | 2 | Bolt |
| 13 | 134-1481 | 1 | Clutch ASM | 30 | 134-1477 | 1 | Spring |
| 14 | 134-1485 | 1 | Bearing-Ball | 31 | 134-1478 | 2 | O-Ring |
| 15 | 134-1486 | 1 | Bearing-Ball | 32 | 134-1479 | 1 | Cover |
| 16 | 134-1482 | 1 | Shaft-Starter | 34 | 134-1480 | 1 | Cap |
| 17 | 134-1483 | 1 | Spring | 35 | 133-2496 | 2 | Bolt |

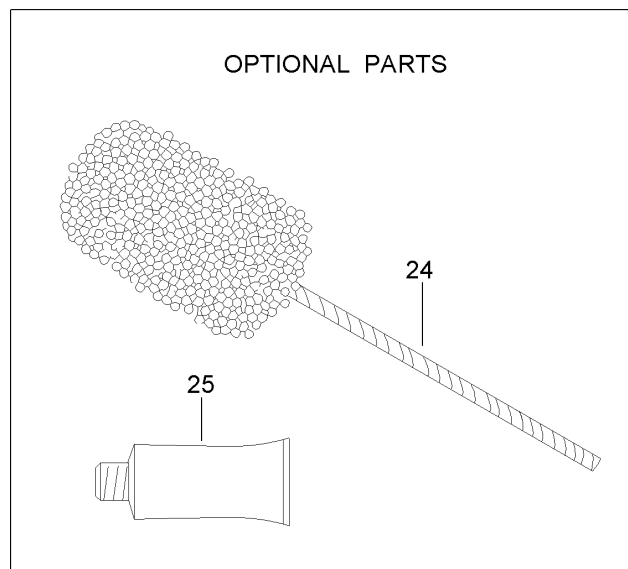
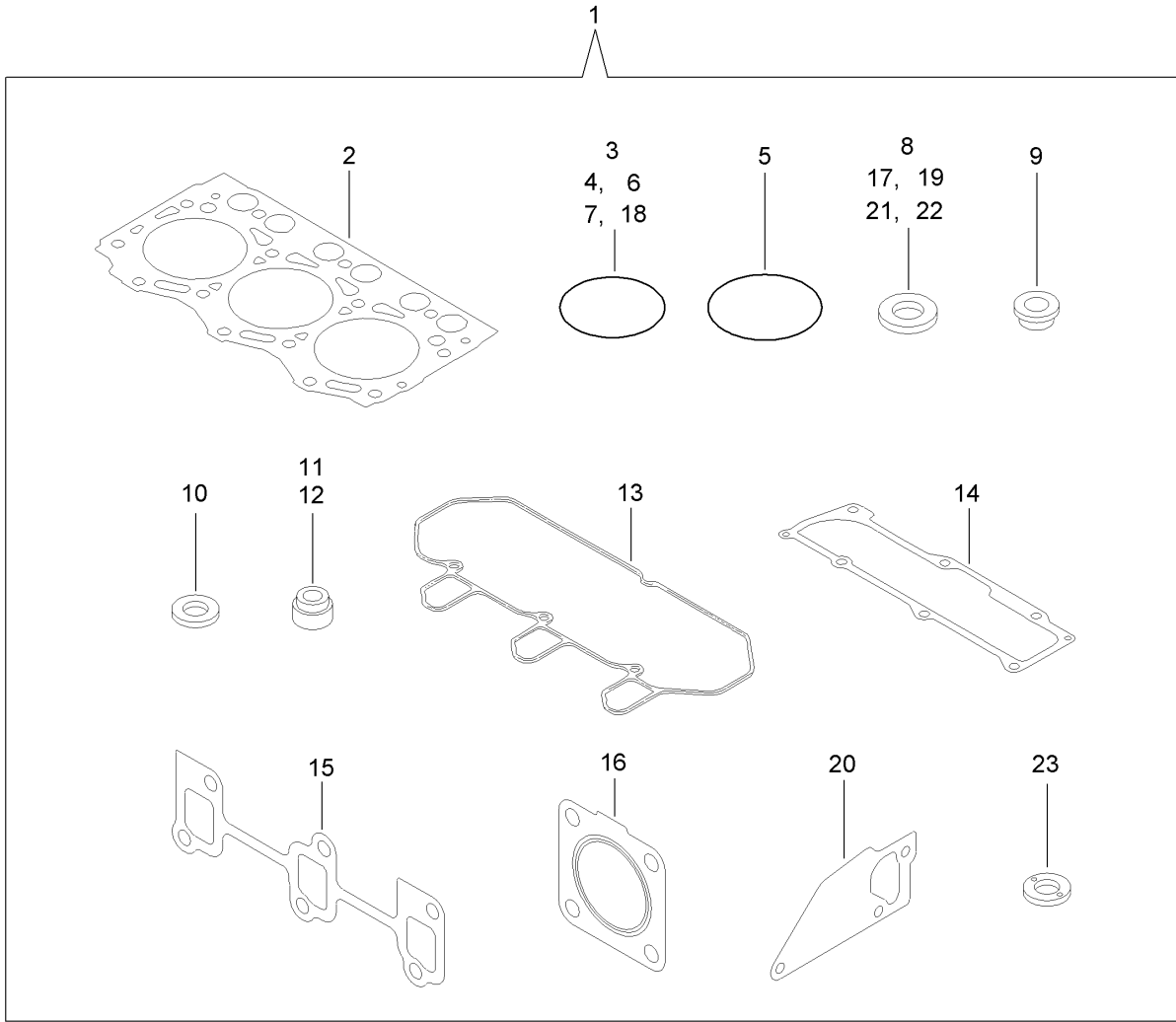
Generator Assembly



Generator Assembly (continued)

| <i>Ref.</i> | <i>Part Number</i> | <i>Qty.</i> | <i>Description</i> | <i>Ref.</i> | <i>Part Number</i> | <i>Qty.</i> | <i>Description</i> |
|-------------|--------------------|-------------|--------------------|-------------|--------------------|-------------|--------------------|
| 1 | 127-3001 | 1 | Generator | 21 | 127-2965 | 6 | Screw |
| 2 | 127-3190 | 1 | Nut | 22 | 127-2966 | 1 | Screw |
| 3 | 127-2951 | 1 | Rotor ASM | 23 | 127-2967 | 3 | Bolt |
| 4 | 127-2983 | 1 | Bearing-Ball | 24 | 127-2968 | 2 | Screw |
| 5 | 127-2962 | 1 | Cover | 25 | 127-2969 | 2 | Bolt |
| 6 | 127-2952 | 1 | Frame ASM | 26 | 127-2970 | 1 | Bushing-Insulation |
| 7 | 127-2958 | 1 | Bearing-Ball | 27 | 127-2971 | 2 | Nut |
| 8 | 127-2959 | 1 | Plate-Retainer | 28 | 127-2972 | 1 | Washer |
| 9 | 127-2960 | 4 | Screw | 29 | 135-4277 | 1 | Bolt |
| 10 | 127-2961 | 2 | Stud | 30 | 125-6947 | 1 | Spacer |
| 11 | 127-2953 | 1 | Frame ASM | 31 | 135-4279 | 1 | Adjuster-Belt |
| 12 | 127-2999 | 1 | Cover | 32 | 125-7134 | 1 | Bolt |
| 13 | 127-2954 | 1 | Pulley | 33 | 125-7595 | 1 | Bolt |
| 14 | 127-2955 | 1 | Nut | 34 | 134-1393 | 1 | Diode |
| 15 | 127-2957 | 1 | Collar | 35 | 134-1465 | 1 | Retainer |
| 16 | 127-3002 | 1 | Regulator ASM | 36 | 134-1453 | 1 | Relay-Safety |
| 17 | 127-2963 | 1 | Holder | 37 | 134-1394 | 1 | Glow Relay ASM |
| 18 | 127-2993 | 1 | Holder | 40 | 134-1501 | 1 | Timer |
| 19 | 127-2956 | 2 | Brush ASM | 41 | 134-1507 | 1 | Timer |
| 20 | 127-2964 | 2 | Spring | 42 | 134-1528 | 1 | Ring |

Gasket Set



Gasket Set (continued)

| <i>Ref.</i> | <i>Part Number</i> | <i>Qty.</i> | <i>Description</i> | <i>Ref.</i> | <i>Part Number</i> | <i>Qty.</i> | <i>Description</i> |
|-------------|--------------------|-------------|--------------------------------|-------------|--------------------|-------------|--------------------------|
| 1 | 134-1543 | 1 | Gasket Set | 14 | 135-4095 | 1 | Gasket |
| 2 | 134-1396 | 1 | Gasket-Head | 15 | 135-4107 | 1 | Gasket-Manifold, Exhaust |
| 3 | 127-2973 | 1 | O-Ring | 16 | 134-1383 | 1 | Gasket-Silencer |
| 4 | 135-4058 | 3 | O-Ring | 17 | 125-7176 | 4 | Washer-Seal |
| 5 | 125-6957 | 1 | O-Ring | 18 | 135-4178 | 1 | O-Ring |
| 6 | 125-7197 | 2 | O-Ring | 19 | 125-7174 | 4 | Washer-Seal |
| 7 | 134-1538 | 1 | O-Ring | 20 | 135-4193 | 1 | Gasket-Pump, Water |
| 8 | 136-8236 | 1 | Washer-Seal | 21 | 125-7192 | 1 | Gasket |
| 9 | 135-4069 | 3 | Protector-Nozzle | 22 | 125-6979 | 2 | Gasket |
| 10 | 135-4070 | 6 | Gasket-Nozzle | 23 | 135-4237 | 3 | Gasket |
| 11 | 125-6915 | 3 | Seal-Stem, Valve | 24 | 125-7038 | 1 | Hone |
| 12 | 125-6916 | 3 | Seal-Stem, Valve | 25 | 125-7248 | 1 | Gasket-Liquid |
| 13 | 135-4093 | 1 | Gasket-Cover, Cylinder Head | | | | |

Notes:

Notes:



Count on it.