



**Count on it.**

**Parts Catalog**

**Chemical Pre-Mix Kit**

**2015 and After Multi Pro® 1750 Turf Sprayer**

Model No. 41158—Serial No. 315000001 and Up



# Ordering Replacement Parts

To order replacement parts, please supply the part number, the quantity, and the description of each part desired.

## Understanding Reference Numbers

Each identified part in an illustration has a reference number. The reference number for a part also appears in the parts list, along with other information about the part.

This catalog uses two special reference number formats, one to indicate parts in a service assembly and another to indicate the quantity of a given part in an illustration.

## Service Assembly Reference Numbers

Parts in service assemblies have reference numbers in the form a:b. The a represents the reference number of the entire service assembly and the b represents a sequential number unique to each part within the service assembly.

For example, a wheel assembly might be identified by reference number 6, the tire by 6:1, the valve by 6:2, and the wheel by 6:3. When you order the assembly identified by reference number 6, you receive all parts identified by reference numbers 6:1, 6:2, and 6:3. However, you may also order any part individually. Reference numbers of this type appear in illustration and in parts lists.

## Reference Numbers Indicating Quantity

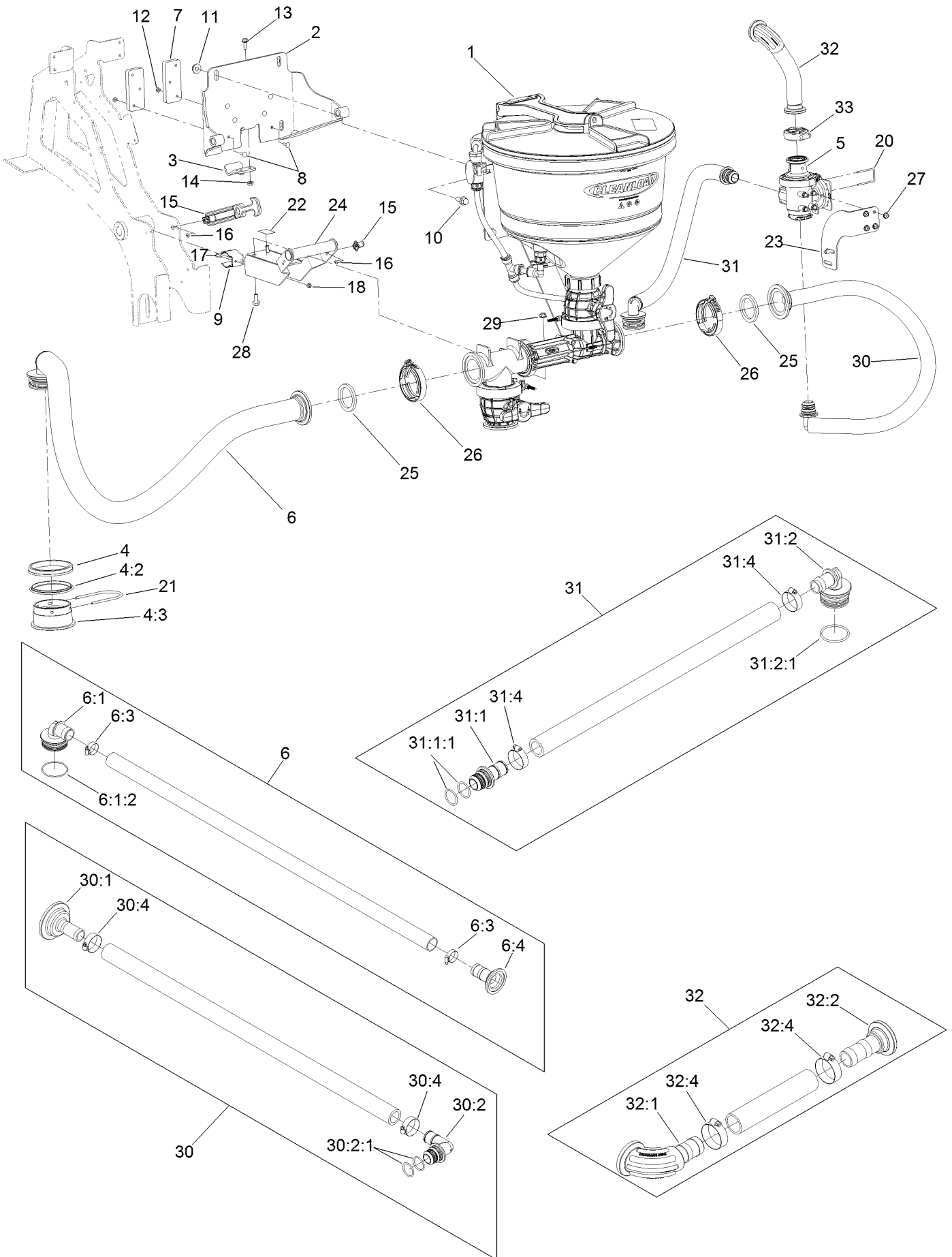
In an illustration, if a reference number indicates more than one part, the reference number has the form nX y. The n represents the quantity of the part, the X is the multiplication symbol, and the y represents the reference number.

For example, in an illustration, the reference number 2X 37 means that two of the parts identified by reference number 37 are indicated.

# Contents

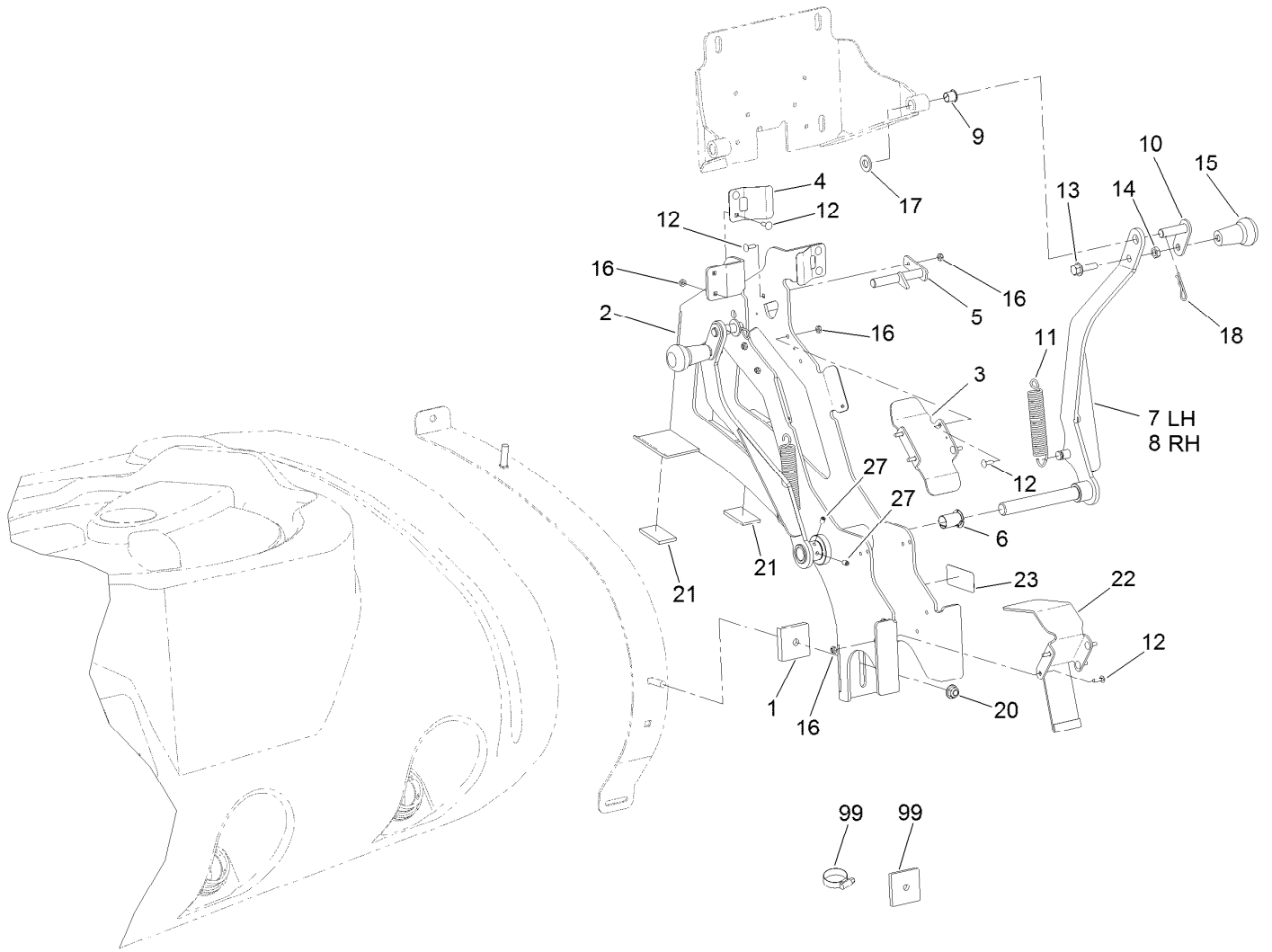
Eductor Mounting Assembly ..... 4  
Mounting Assembly ..... 6  
Eductor Assembly No. 127-2949 ..... 7  
Eductor Valve Assembly No. 130-7324 ..... 8

# Eductor Mounting Assembly



## Eductor Mounting Assembly (continued)

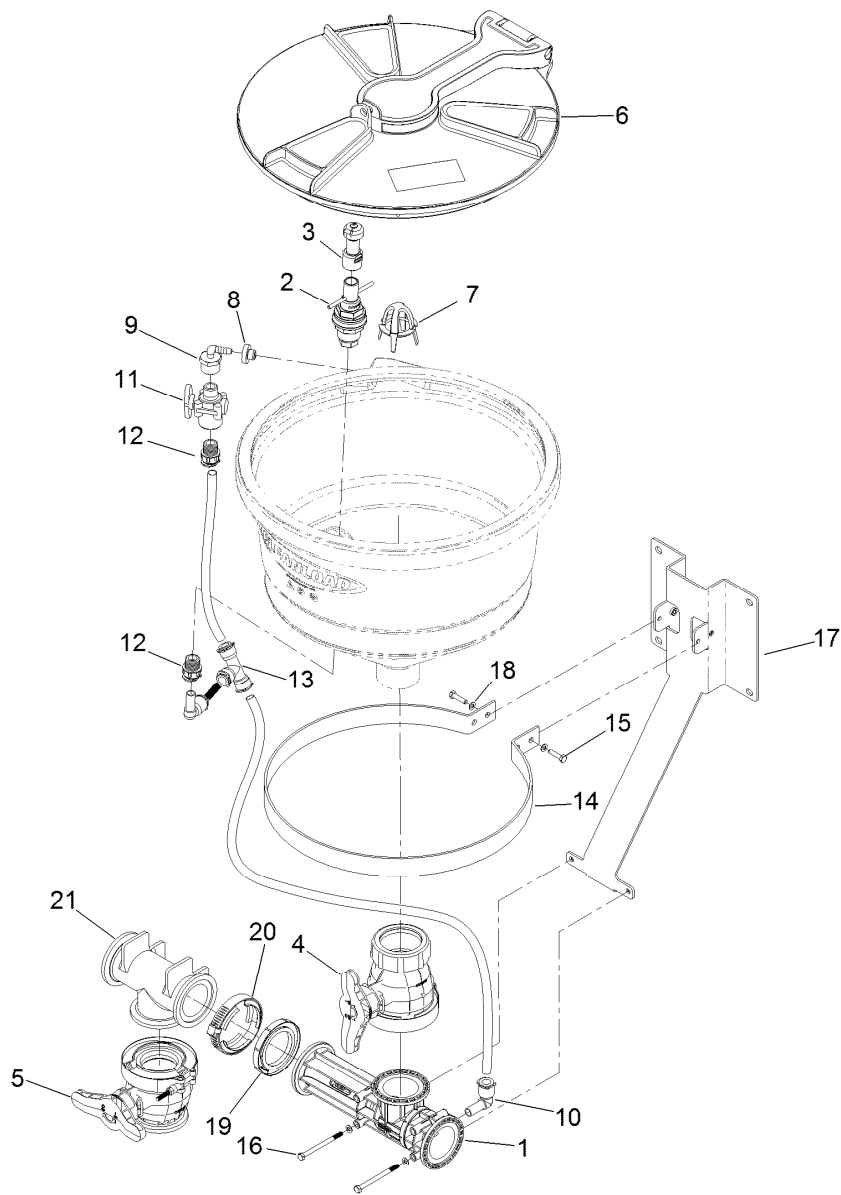
<i>Ref.</i>	<i>Part Number</i>	<i>Qty.</i>	<i>Description</i>	<i>Ref.</i>	<i>Part Number</i>	<i>Qty.</i>	<i>Description</i>
1	127-2949	1	Eductor ASM	21	117-7996	1	Fork
2	119-4912-03	1	Plate-Pivot	22	119-4988	1	Decal-Lock
3	119-4928	1	Bracket-Latch	23	131-5829-03	1	Mount-Valve
4	117-7851	1	Bulkhead ASM	24	127-5000-03	1	Handle-Eductor
4:2	100-8646	1	Gasket-Bulkhead	25	127-5004	2	Gasket
4:3	100-8647	1	Nut-Bulkhead	26	127-5005	2	Clamp-Worm Screw
5	130-7324	1	Eductor Valve ASM	27	104-7201	4	Nut-HF
6	125-4162	1	Eductor Hose ASM	28	3234-47	3	Screw-HHF
6:1	117-7870	1	Hosebarb ASM	29	104-8300	2	Nut-HF, NI
6:1:2	100-6989	1	O-Ring	30	131-5826	1	Supply Hose ASM
6:3	41327	2	Clamp-Hose	30:1	125-5894	1	Fitting-Hose Barb
6:4	125-5895	1	Fitting-Hose Barb	30:2	131-3727	1	Fitting-Valve, Eductor
7	119-4963	2	Pad-Wear	30:2:1	131-0231	2	O-Ring
8	1-807533	6	Bolt-CARR	30:4	2412-34	2	Clamp-Hose
9	119-4937	1	Clip-Spring	31	131-5827	1	Main Supply Hose ASM
10	3234-11	4	Screw-HHF	31:1	131-0229	1	Fitting-Valve, Eductor
11	32128-43	4	Nut-Flange	31:1:1	131-0231	2	O-Ring
12	3296-12	6	Nut-Lock, NI	31:2	106-4933	1	Hosebarb ASM
13	3234-4	2	Screw-HHF	31:2:1	100-8637	1	O-Ring
14	32128-33	2	Nut-HF	31:4	2412-34	2	Clamp-Hose
15	115-8215	1	Draw Latch ASM	32	131-5828	1	Connection Hose ASM
16	115-9830	3	Screw-HSBH	32:1	131-0241	1	Fitting-Elbow, Sweep
17	3250-12	2	Screw-PPH	32:2	127-1142	1	Fitting-Barb
18	3296-2	2	Nut-Lock, NI	32:4	2412-34	2	Clamp-Hose
20	131-0235	2	Fork-Fitting, Eductor Valve	33	127-9829	1	Clamp/Gasket Kit



## Mounting Assembly

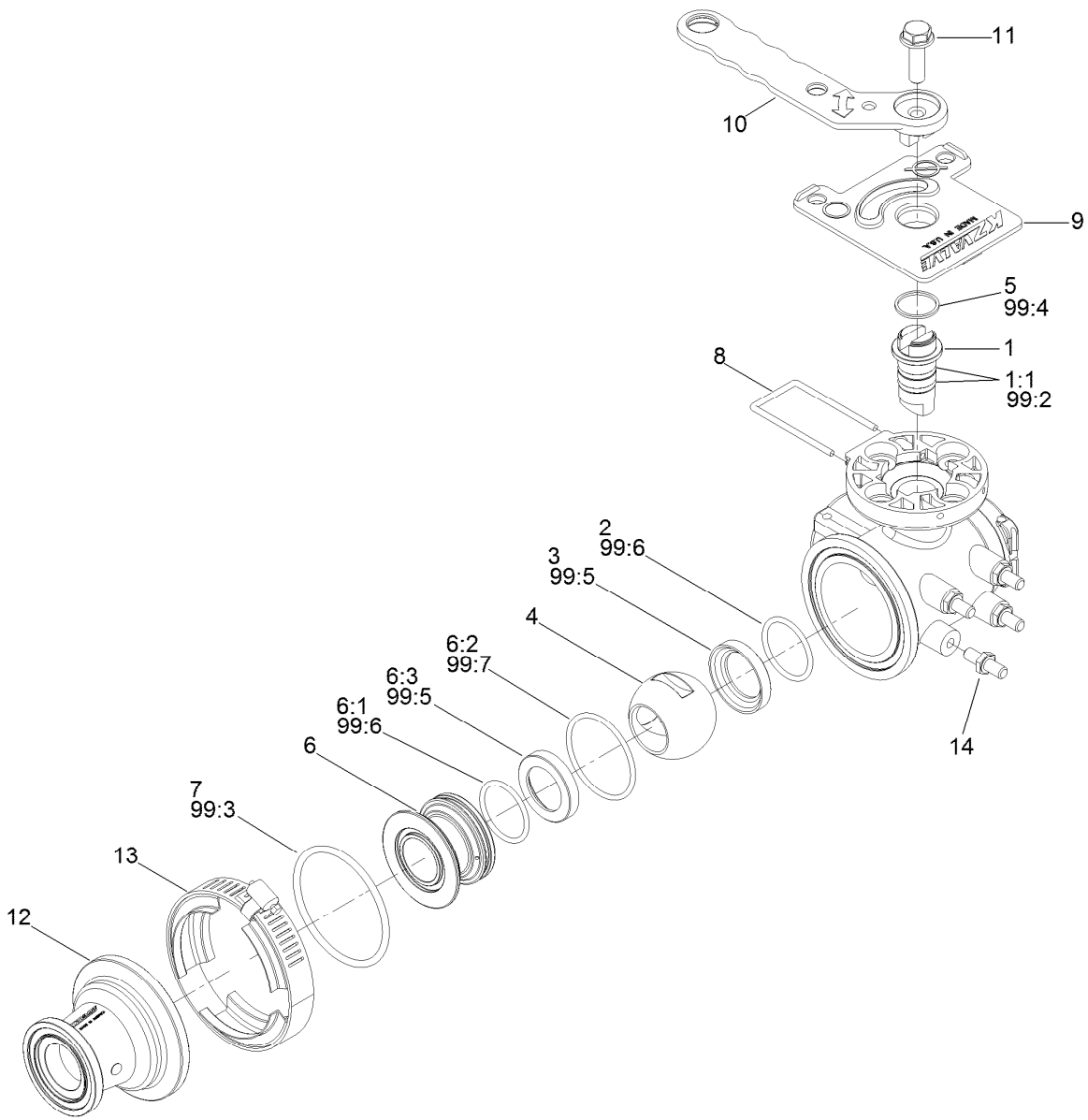
Ref.	Part Number	Qty.	Description
1	125-0974	2	Spacer-Eductor
2	125-0966-03	1	Mount-Eductor
3	119-4962	1	Plate-Strike
4	119-4951	2	Tab-Spring
5	120-8640	1	Latch-Rod
6	100-8541	2	Bushing-A Arm
7	119-4907-03	1	Arm-Pivot, LH
8	119-4908-03	1	Arm-Pivot, RH
9	256-257	2	Bushing-Nyliner
10	120-0718	2	Pivot-Pin
11	120-0722	2	Spring-Extension
12	1-807533	13	Bolt-CARR
13	3234-24	2	Screw-HHF

Ref.	Part Number	Qty.	Description
14	3218-3	2	Nut-Jam
15	99-7981	2	Knob-Grip, Soft
16	3296-12	13	Nut-Lock, NI
17	106-9888	2	Washer-Flat
18	3290-467	2	Pin-Hair
20	104-8301	2	Nut-HF, NI
21	120-4944	2	Pad-Foam
22	127-3922	1	Plate-Guide
23	93-6674	2	Decal-Warning
27	3245-41	2	Screw-HSH
99	125-0960	2	Spacer-Eductor
99	2412-34	2	Clamp-Hose



## Eductor Assembly No. 127-2949

<i>Ref.</i>	<i>Part Number</i>	<i>Qty.</i>	<i>Description</i>	<i>Ref.</i>	<i>Part Number</i>	<i>Qty.</i>	<i>Description</i>
1	127-5027	1	Eductor	12	127-5049	2	Fitting
2	127-5042	1	Container-Rinse	13	127-6906	1	Fitting-Tee
3	127-5048	1	Nozzle-Rinse Container	14	127-5030	1	Ring-Mounting
4	127-6934	1	Valve-Tank	15	127-6922	2	Screw-HH
5	127-6923	1	Valve-Drain	16	127-5031	2	Screw-HH
6	127-6916	1	Lid	17	127-5029	1	Bracket
7	127-6939	1	Strainer	18	127-6938	4	Washer
8	127-6900	1	Grommet	19	127-6932	1	Gasket
9	127-6904	1	Elbow-Fitting	20	127-5005	1	Clamp-Worm Screw
10	127-6903	2	Elbow-Fitting	21	127-6941	1	Fitting-Tee
11	127-6905	1	Valve-Two Way				



## Eductor Valve Assembly No. 130-7324

<i>Ref.</i>	<i>Part Number</i>	<i>Qty.</i>	<i>Description</i>	<i>Ref.</i>	<i>Part Number</i>	<i>Qty.</i>	<i>Description</i>
1	131-0215	1	Stem-Valve, Eductor	10	131-0233	1	Handle-Valve, Eductor
1:1	131-0217	2	Oring-Stem, Valve	11	131-0234	1	Bolt-Faceplate, Eductor
2	131-0218	1	Oring-Seat, Valve	12	127-1144	1	Fitting-Adapter
3	131-0219	1	Seat-Valve, Eductor	13	104-9089	1	Clamp-Screw, Worm
4	131-0220	1	Ball-3Way, Eductor Valve	14	131-3799	4	Stud
5	131-0221	1	Seat-Stem, Eductor Valve	99	131-3798	1	Repair Kit ●
6	131-0222	1	Cap-End, Eductor Valve	99:2	131-0217	2	Oring-Stem, Valve
6:1	131-0218	1	Oring-Seat, Valve	99:3	131-0225	1	Oring-Fitting
6:2	131-0224	1	Oring-End Cap, Eductor Valve	99:4	131-0221	1	Seat-Stem, Eductor Valve
6:3	131-0219	1	Seat-Valve, Eductor	99:5	131-0219	2	Seat-Valve, Eductor
7	131-0225	1	Oring-Fitting	99:6	131-0218	2	Oring-Seat, Valve
8	131-0226	1	Fork-Handle Plate	99:7	131-0224	1	Oring-End Cap, Eductor Valve
9	131-0232	1	Plate-Face, Eductor Valve				

● Not illustrated

**Notes:**

**Notes:**

**Notes:**



**Count on it.**