



Z-Master[™]

250 Series

Z255

**with 62" Side
Discharge Mower**

Model No. 74203 – 995001 & Up

Parts Catalog

ORDERING REPLACEMENT PARTS

To order replacement parts, please supply: the part number, the quantity, and the description of each part desired.

Contents

Description	Page	Description	Page
Front Frame Assembly	1	Shields And Clutch Assembly	9
Caster And Wheel Assembly	2	Idler Assembly	10
Rear Frame And Wheel Assembly	3	Electrical System Assembly	11
Brake And Wheel Hub Assembly	4	Frame And Deck Assembly	12
Control Panel Assembly	5	Deck, Deflector And Roller Assembly	13
Hydraulic System Assembly	6	Spindle And Pulley Assembly	14
Hydraulic System Assembly (Continued)	7	Belts And Idler Arm Assembly	15
Tank And Fuel Lines Assembly	8		

Part Description Abbreviations

Part descriptions in this catalog may include the following abbreviations.

Abbreviation	Meaning	Abbreviation	Meaning
AR	as required	HWHTF	hex washer head thread forming
ASM	assembly	INC	incorporated
CARR	carriage	LH	left hand
DEG	degrees	PH	pan head
FH	flat head	PPH	Phillips pan head
GA	gauge	PTO	power take off
HF	hex flange	RH	right hand
HFW	hex flange washer	SFH	slotted fillister head
HH	hex head	SH	square head
HHF	hex head flange	SHWH	slotted hex washer head
HHST	hex head self tapping	SPH	slotted pan head
HJ	hex jam	STD	standard
HOC	height-of-cut	TAP	self tapping
HS	hex socket	TH	truss head
HSBH	hex socket button head	TTH	Torx truss head
HSFH	hex socket flat head	WH	wing head
HSH	hex socket head		
HWH	hex washer head		

Important Format Explanations

This catalog uses special formats to convey information in illustrations and parts lists. Specifically, one format is used in conjunction with service assemblies and another with quantities associated with reference numbers.

Service Assemblies

Parts within service assemblies have reference numbers in the form X:Y. X is the reference number of the service assembly and Y is a sequential number unique to each part within the service assembly.

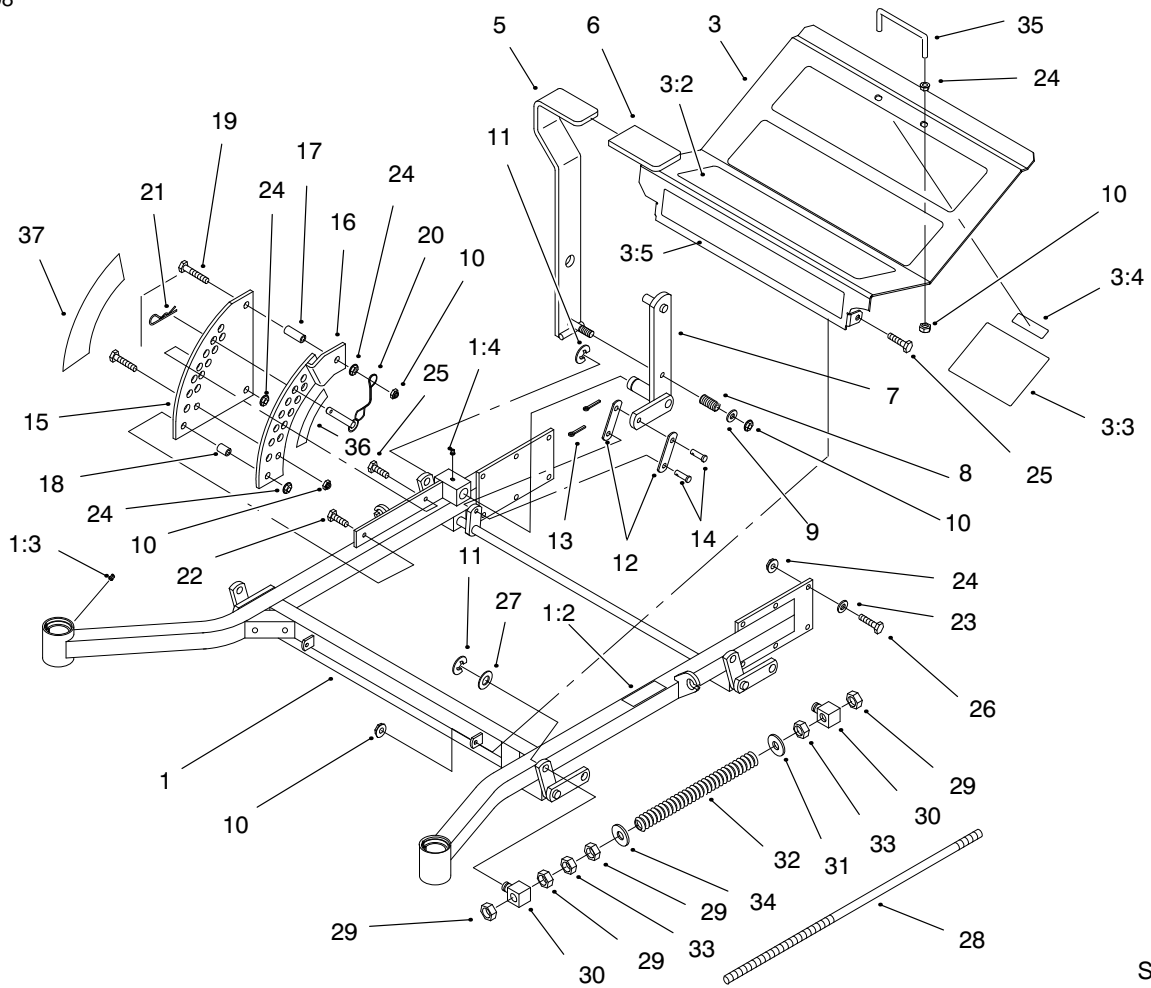
For example, a wheel assembly might be identified by reference number 6, the tire by 6:1, the valve by 6:2, and the wheel by 6:3. When you order the assembly identified by reference number 6, you receive all parts identified by reference numbers 6:1, 6:2, and 6:3. However, you may also order any part individually.

Reference numbers of this type appear in part lists and as callouts in illustrations.

Reference Numbers with Quantities

Illustrations may have a quantity in parentheses next to a reference number, in the form $X (Y)$. X is the reference number. Y in parentheses is the quantity of the part identified by the reference number.

For example, the illustration callout 4 (2) indicates that two parts are used in that instance.

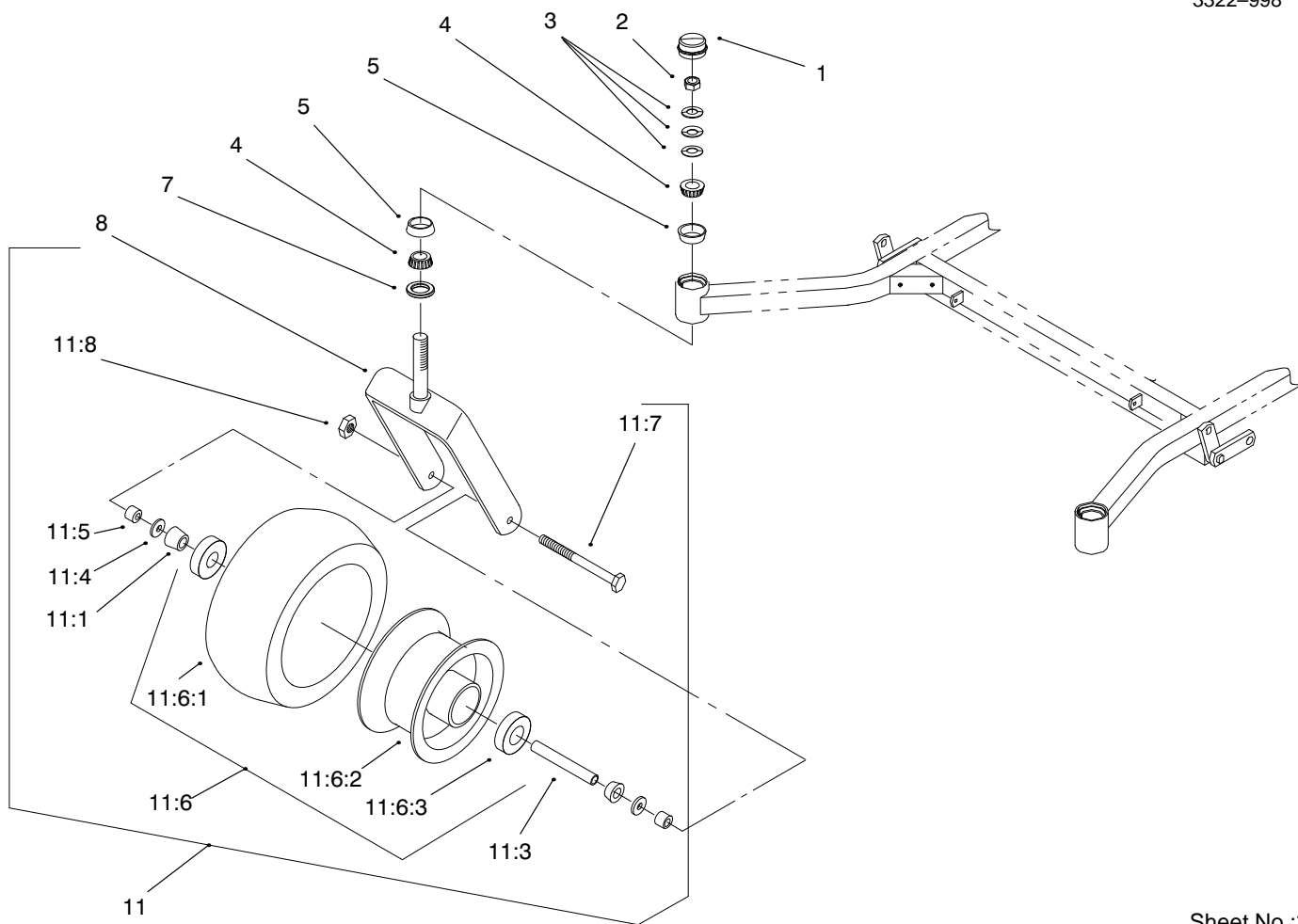


Sheet No.:2

Front Frame Assembly

Ref. No.	Part No.	Qty.	Description
1	99-4682	1	Frame ASM
1:2	E633818	1	Decal
1:3	E811010	2	Plug-Caster Swivel
1:4	320-19	5	Fitting - Grease
3	99-4622	1	Floorpan ASM
3:2	E633553	3	Pad - Antiskid
3:3	E633766	1	Decal-Check
3:4	98-5954	1	Decal-Cover Missing
3:5	E633737	1	Decal- Z-Master
5	E632324	1	Lift Lever ASM
6	E633295	1	Grip-Lift Lever
7	E632219	1	Arm-Deck Lift
8	E633325	1	Spring-Compression
9	3256-24	1	Washer-Flat
10	32146-2	7	Nut-Lock Ni
11	E808505	5	Ring-Snap
12	E633068	2	Arm-Deck Lift
13	3272-10	2	Pin-Cotter
14	E808284	2	Pin-Clevis
15	E633889	1	Plate - Deck Lift
16	E632899	1	Plate-Deck Lift
17	E633082	1	Bushing-Lift Lever
18	E633080	1	Bushing-Lift Lever
19	323-13	1	Screw-HH
20	E633097	1	Pin-Hitch w/Lanyard
21	E806005	1	Hairpin

Ref. No.	Part No.	Qty.	Description
22	323-9	2	Screw-HH
23	98-5975	12	Washer
24	3290-357	17	Nut-Lock
25	323-6	3	Screw-HH
26	323-7	12	Screw-HH
27	3256-29	4	Washer-Flat
28	E633096	2	Rod-Deck Lift
29	3217-11	8	Nut-Hex
30	E633441	4	Swivel-Deck Mount
31	3256-7	2	Washer-Flat
32	E633064	2	Spring-Deck Support
33	3218-6	4	Nut-Jam
34	3256-7	2	Washer-Flat
35	E633587	1	Handle
36	E633706	1	Decal-Deck Height
37	E633345	1	Decal-Deck Height

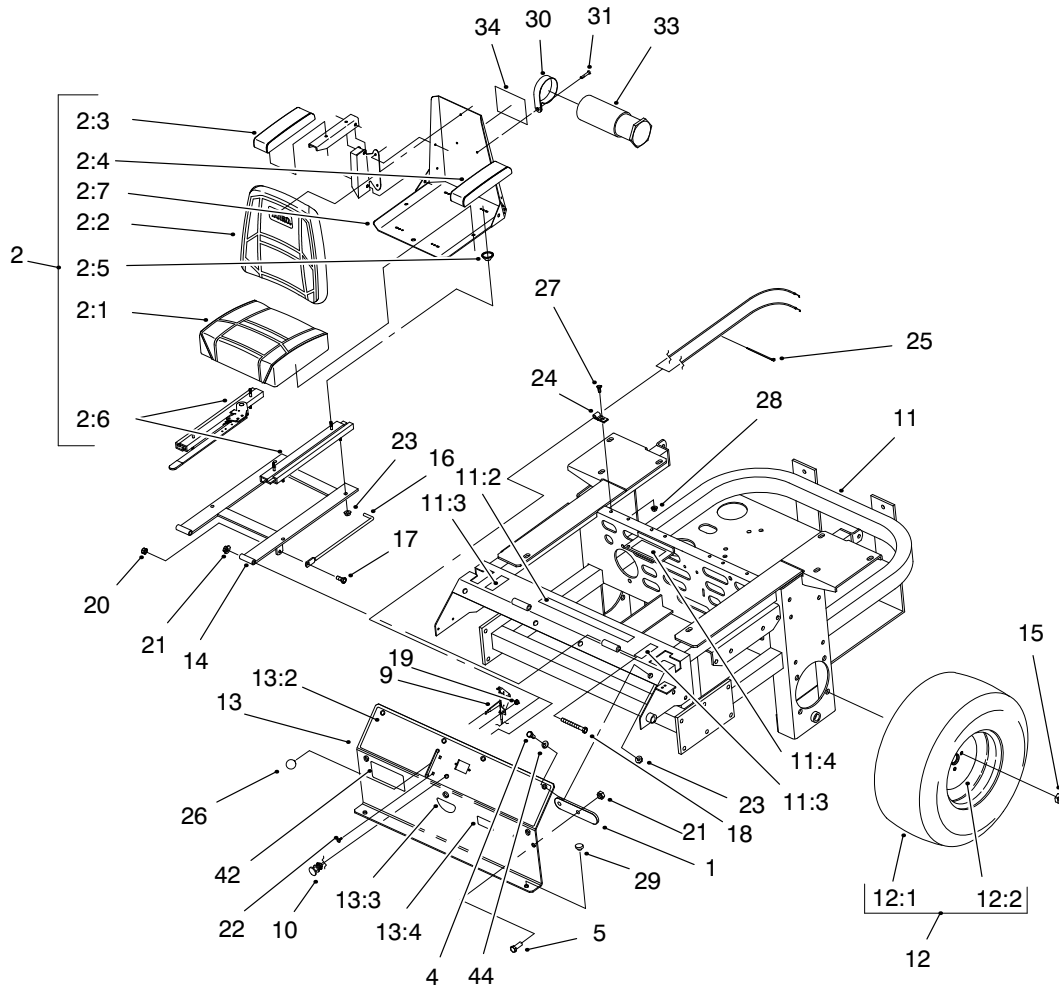


Sheet No.:3

Caster And Wheel Assembly

Ref. No.	Part No.	Qty.	Description
1	E543513	2	Cap-Grease
2	32146-14	2	Locknut
3	E633508	6	Washer-Belleview
4	254-94	4	Bearing-Cone
5	254-72	4	Cup-Bearing, Outer
7	E543511	2	Seal-Grease
8	E632511	2	Caster
11	E634662	2	Caster Wheel ASM
11:1	254-78	2	Bearing-Roller, Cone
11:3	E633579	1	Spacer-Front Caster
11:4	E633580	2	Seal-Bearing
11:5	E633581	2	Spacer-Bearing
11:6	E633582	1	Wheel & Tire ASM
11:6:1	E633002	1	Tire
11:6:2	E633583	1	Wheel
11:6:3	254-79	2	Bearing-Roller, Cup
11:7	325-36	1	Screw-HH
11:8	3296-45	1	Nut-Lock Ni

Ref. No.	Part No.	Qty.	Description

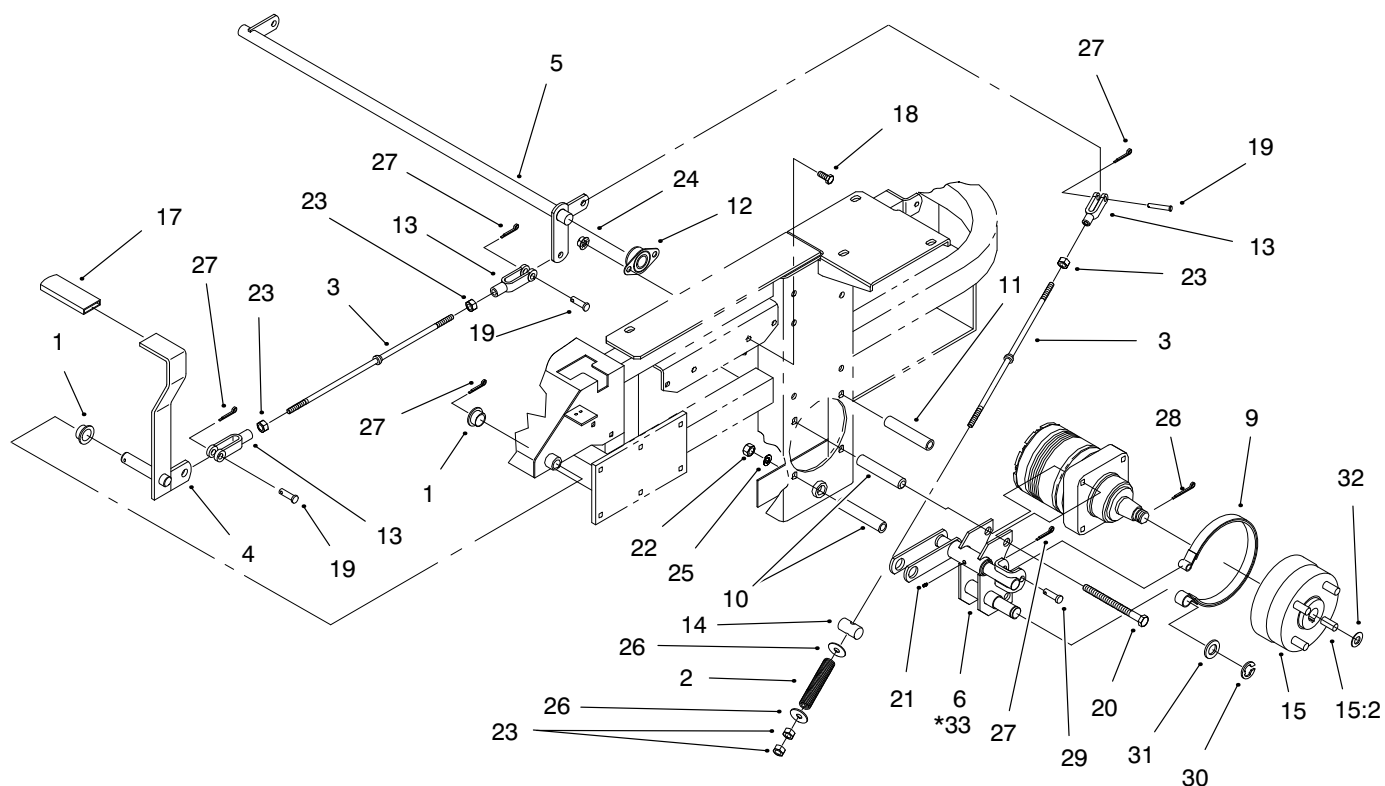


Sheet No.:4

Rear Frame And Wheel Assembly

Ref. No.	Part No.	Qty.	Description
1	E633964	1	Stop – Park Brake
2	E633705	1	Seat ASM w/Armrest
2:1	E543407	1	Cushion–Seat
2:2	E633709	1	Cushion–Backrest
2:3	E633710	1	Armrest – RH
2:4	E633711	1	Armrest – LH
2:5	E543401	4	Spacer–Track
2:6	E643255	1	Track–Locking, 4”
2:7	E633859	1	Frame–Seat
4	322–3	8	Screw–HH
5	323–6	2	Screw–HH
9	E633696	1	Cable–Throttle
10	E603336	1	Control–Choke, Push–Pull
11	99–4624	1	Frame ASM
11:2	E513747	1	Decal–Battery
11:3	E633354	2	Decal–Motion Control
11:4	E513929	1	Decal–Drive Release
12	E633007	2	Wheel & Tire ASM
12:1	E633008	1	Tire
12:2	E633009	1	Wheel
13	99–4623	1	Console ASM
13:2	99–4611	1	Decal–Control Panel
13:3	E633346	1	Decal–Fuel Valve
13:4	98–4387	1	Decal – Ear Protection
14	E632187	1	Frame–Seat

Ref. No.	Part No.	Qty.	Description
15	E513011	1	Nut–Wheel
16	E633293	1	Rod–Seat Holdup
17	322–5	1	Screw–HH
18	323–21	2	Screw–HH
19	32146–18	2	Nut–Lock
20	3296–41	2	Nut–Lock Ni
21	32146–2	4	Nut–Lock Ni
22	E807513	2	Bolt–CARR
23	32128–20	12	Nut–Hex Flange
24	E513762	1	Clip
25	E303335	1	Tie–Plastic
26	E513592	1	Knob–Ball, Red
27	321–4	1	Screw–HH
28	32128–33	1	Nut–Hex Flange
29	E513658	2	Bumper–Catcher, Grass
30	2412–120	2	R Clamp
31	32104–76	2	Screw–Acorn Slot
33	74–0720	1	Tube–Manual
34	93–7340	1	Decal–Toro
42	E633736	1	Decal –Z255
44	3256–23	6	Washer–Flat

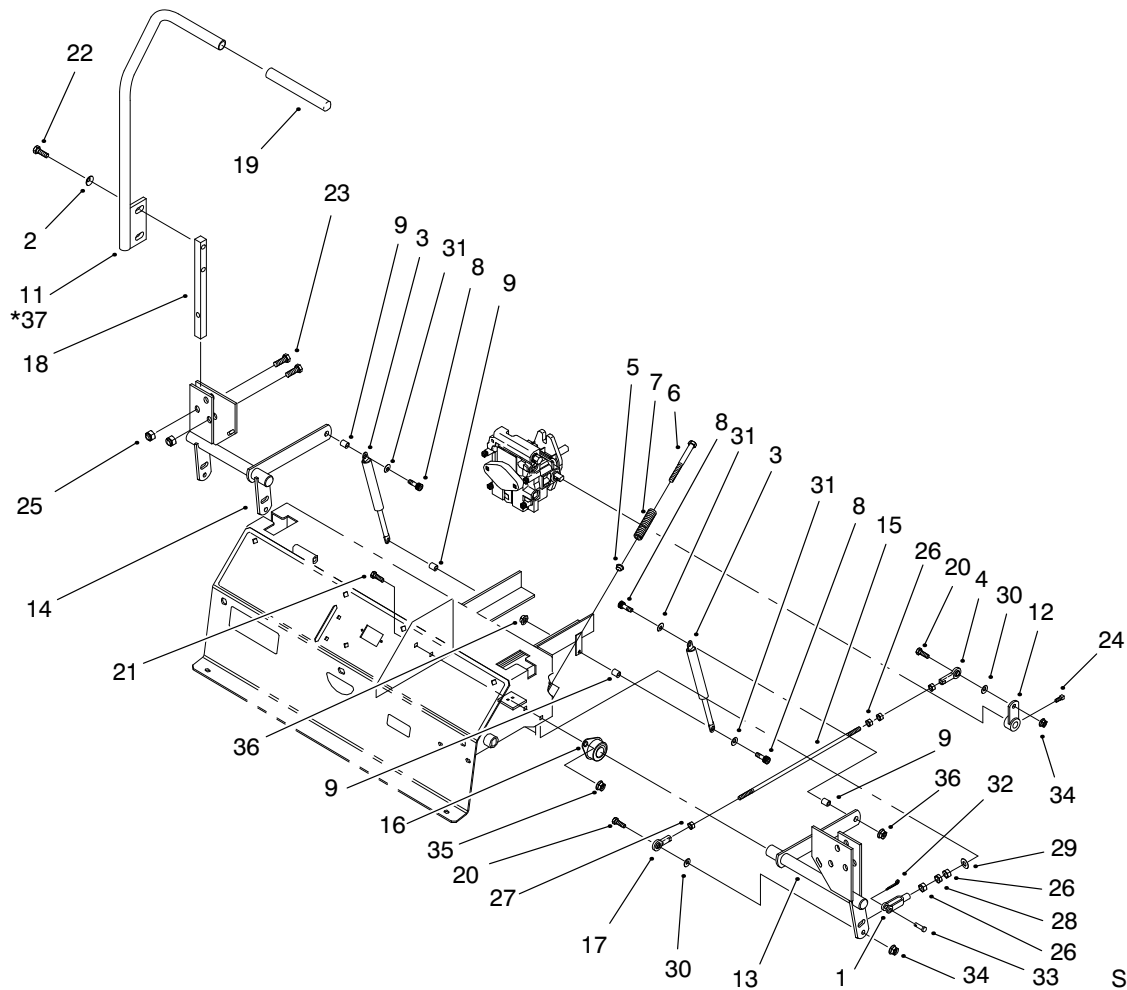


Sheet No.:5

Brake And Wheel Hub Assembly

Ref. No.	Part No.	Qty.	Description	Ref. No.	Part No.	Qty.	Description
1	E513140	2	Bearing, Control	29	E808283	2	Pin-Clevis
2	E633454	2	Spring-Brake	30	E808514	2	Ring-Retaining
3	E633477	3	Rod-Brake	31	3256-28	2	Washer-Flat
4	E632489	1	Lever-Brakepoint	32	E523157	2	Spacer
5	E632217	1	Shaft-Brake	*33	E632713	1	Bracket-Brake, RH
6	E632712	1	Bracket-Brake, LH				
9	E633693	2	Brake Band				
10	E633060	4	Spacer-Short, Wheel				
11	E633062	4	Spacer-Long, Wheel				
12	E633102	2	Bearing-Side Flange				
13	E633131	4	Yoke-Brake Linkage				
14	E633144	2	Pin-Trunion				
15	E634927	2	Hub And Drum ASM				
15:2	E633926	4	Stud-Wheel				
17	E633268	1	Grip-Brake Lever				
18	323-4	4	Screw-HH				
19	E808285	4	Pin-Clevis				
20	325-20	8	Screw-HH				
21	302-19	2	Fitting - Grease				
22	3217-9	8	Nut-Hex				
23	3219-3	8	Nut-Hex				
24	3290-357	4	Nut-Lock				
25	3253-7	8	Washer-Lock/Sp				
26	3256-4	4	Washer-Flat				
27	3272-10	7	Pin-Cotter				
28	E806800	2	Pin-Cotter				

* Not illustrated



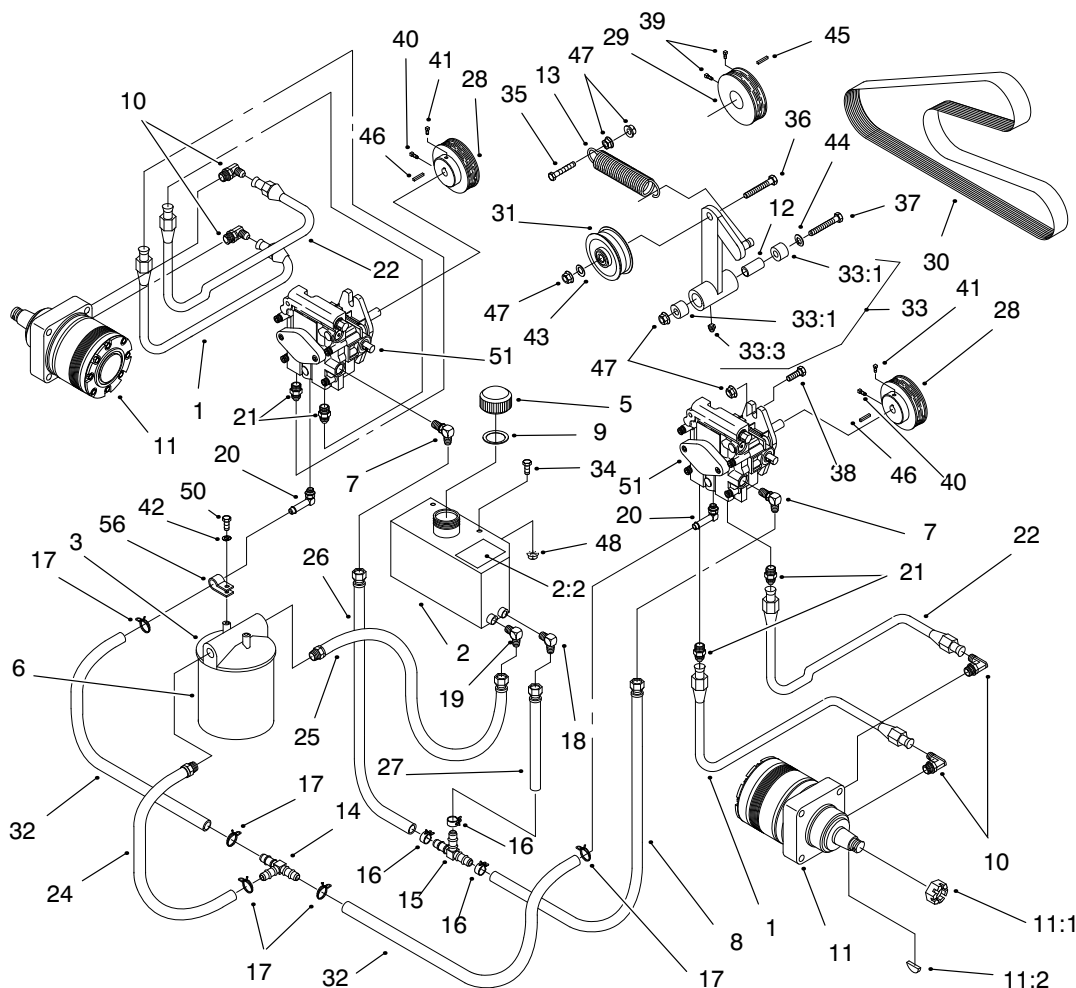
Sheet No.:6

Control Panel Assembly

Ref. No.	Part No.	Qty.	Description
1	E303105	2	Yoke-Adjustable
2	98-5975	4	Washer
3	E523027	2	Damper-Control
4	E543017	2	Ball Joint
5	E603735	2	Bushing-Nylon Flanged
6	E603737	2	Bolt-Neutral Return
7	E603807	2	Spring-Neutral Return
8	E809057	4	Bolt-Shoulder
9	E603903	4	Spacer
11	E632193	1	Lever-RH
12	E632208	2	Arm-Pump Control
13	E632911	1	Motion Control
14	E632912	1	Motion Control
15	E633153	2	Linkage
16	E633102	4	Bearing-Side Flange
17	E633152	2	Ball Joint-LH Thread
18	E633177	2	Arm
19	E633257	2	Grip-Motion Control
20	322-6	4	Screw-HH
21	323-4	8	Screw-HH
22	323-6	4	Screw-HH
23	323-9	6	Screw-HH
24	E803022	2	Screw
25	32146-2	6	Nut-Lock Ni
26	3219-2	10	Nut-Hex

Ref. No.	Part No.	Qty.	Description
27	3220-20	2	Nut-Jam LH
28	3220-2	2	Nut-Jam
29	3256-2	2	Washer-Flat
30	3256-3	4	Washer-Flat
31	3256-23	4	Washer-Flat
32	3272-5	2	Pin-Cotter
33	E808280	2	Pin-Clevis
34	32128-20	4	Nut-Hex Flange
35	3290-357	8	Nut-Lock
36	32128-33	4	Nut-Hex Flange
*37	E632191	1	Lever-LH

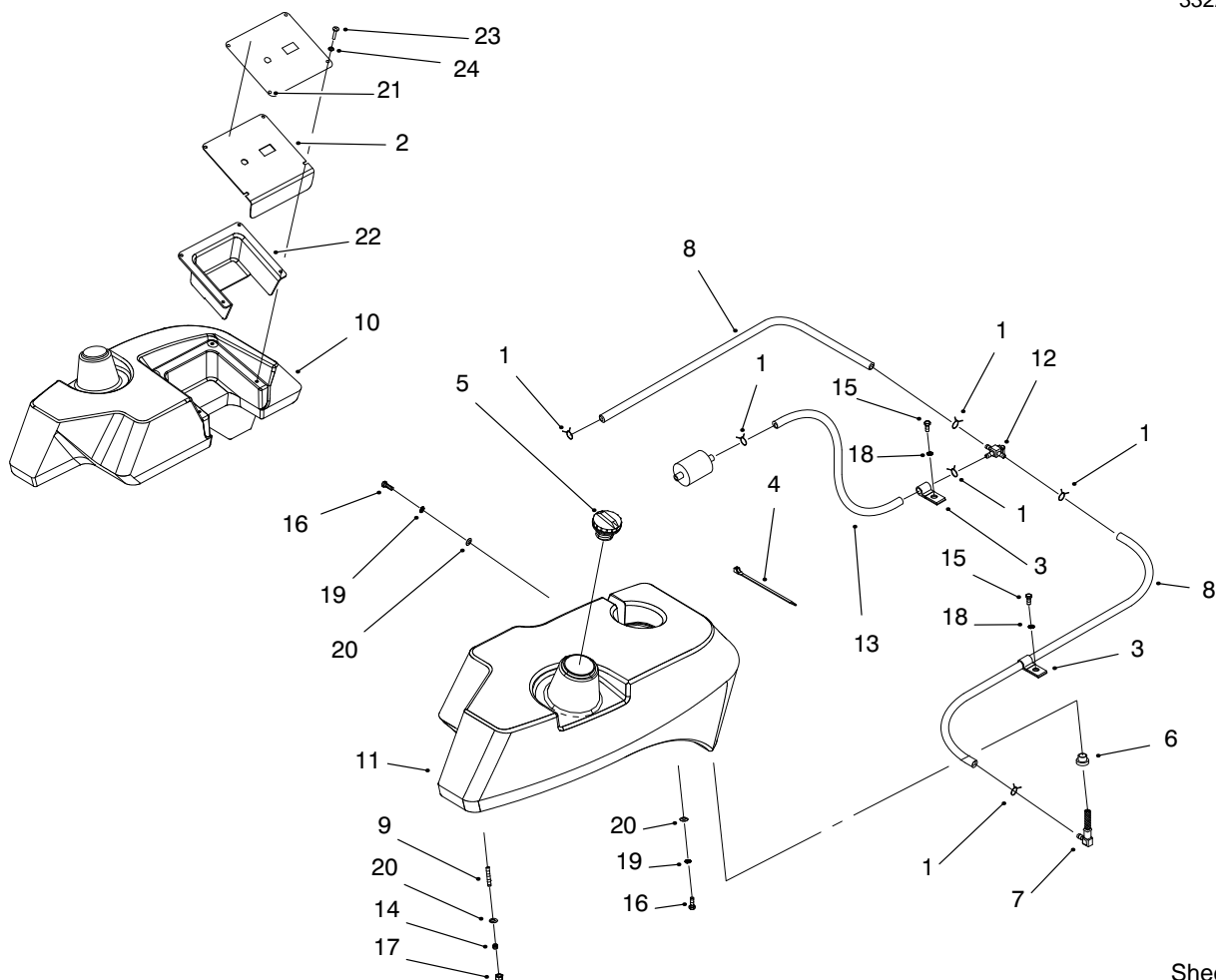
* Not illustrated



Sheet No.:7

Hydraulic System Assembly

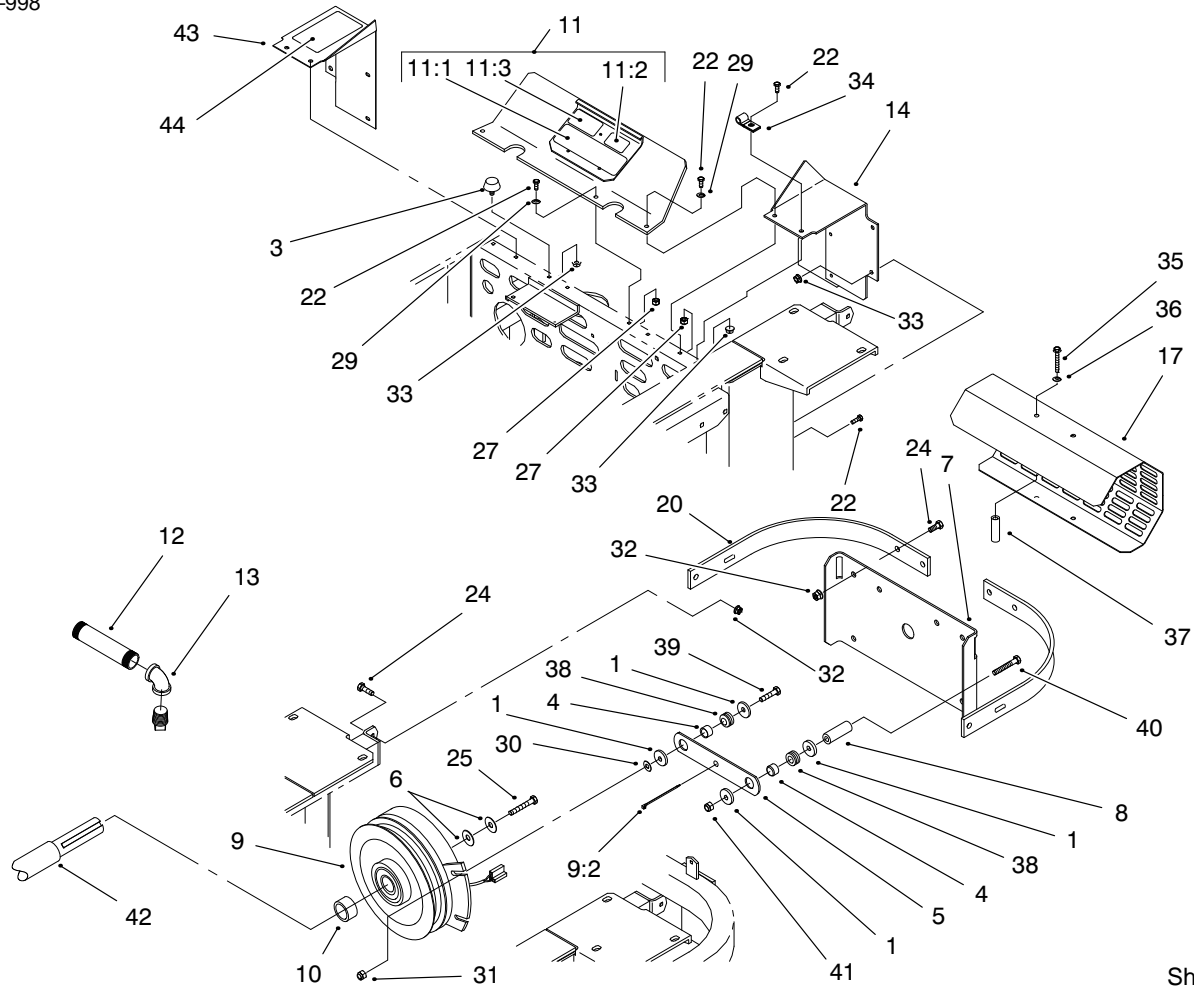
Ref. No.	Part No.	Qty.	Description	Ref. No.	Part No.	Qty.	Description
1	E633776	2	Hose-High Pressure	21	E603990	4	Adapter
2	99-4625	1	Hydraulic Tank ASM	22	E633777	2	Hose-High Pressure
2:2	E523552	1	Decal - Hydraulic Tank, Hot Surface	24	E632281	1	12" Low Pressure Hose ASM
3	E513006	1	Filter-Head	25	E632282	1	13" Low Pressure Hose ASM
5	E513167	1	Cap-Hydraulic Reservoir	26	E632285	1	Hose-Low Pressure
6	E633750	1	Filter-Hydro	27	E632286	1	Hose-Low Pressure
6	E633752	1	Filter-Winter Hydro	28	E633568	2	Sheave
7	E513840	2	Elbow-90	29	E633567	1	Sheave
8	E522217	1	Low Pressure Hose ASM	30	E633749	1	Belt
9	E523103	1	Gasket-Tank/Cap	31	E633167	1	Pulley-Idler
10	E633786	4	Elbow 90°	32	E633335	2	Hose-Low Pressure
11	E523328	2	Motor-Wheel	33	E634277	1	Arm ASM
11:1	E809036	1	Nut-Castle	33:1	E513034	2	Bearing-Pivot
11:2	E807020	1	Woodruff-Key	33:3	E811008	1	Fitting-Grease
12	E603384	1	Bushing-Idler Pivot	34	321-4	2	Screw-HH
13	E603413	1	Spring-Extension	35	323-8	1	Screw-HH
14	E603721	1	Fitting	36	323-9	1	Screw-HH
15	E603722	1	Fitting	37	E800805	1	Screw-HH
16	E603826	3	Clamp-Hose	38	323-7	4	Screw-HH
17	E603827	5	Clamp-Hose	39	E803022	2	Screw
18	E603987	1	Elbow	40	3242-6	2	Screw-Sq Hd Set
19	E603988	1	Elbow	41	3242-4	2	Screw-Sq Hd Set
20	E603989	2	Elbow	42	3253-3	2	Washer-Lock/Sp
				43	3256-3	1	Washer-Flat



Sheet No.:8

Tank And Fuel Lines Assembly

Ref. No.	Part No.	Qty.	Description	Ref. No.	Part No.	Qty.	Description
1	E303077	6	Clamp – Gas Line				
2	99-4656	1	Panel–Control				
3	E513762	2	Clip				
4	E303335	1	Tie–Plastic				
5	93-3101	2	Cap–Fuel				
6	E513645	2	Bushing–Valve, Fuel				
7	E543277	2	Elbow–Fuel Tank				
8	E543456	2	Fuel Line – 21.5				
9	E633023	6	Stud				
10	99-4608	1	Tank – LH Fuel				
11	99-4607	1	Tank – RH Fuel				
12	E633347	1	Valve–Fuel Line				
13	E633348	1	Fuel Line				
14	E633349	6	Spring–Fuel Tank				
15	321-3	2	Screw–HH				
16	322-3	4	Screw–HH				
17	3296-41	6	Nut–Lock Ni				
18	3253-3	2	Washer–Lock/Sp				
19	3253-4	4	Washer–Lock/Sp				
20	3256-23	10	Washer–Flat				
21	99-4632	1	Decal–Control Panel				
22	99-4940	1	Shield–Control Panel				
23	E803071	4	Screw				
24	E303435	4	Washer–Bellevue				

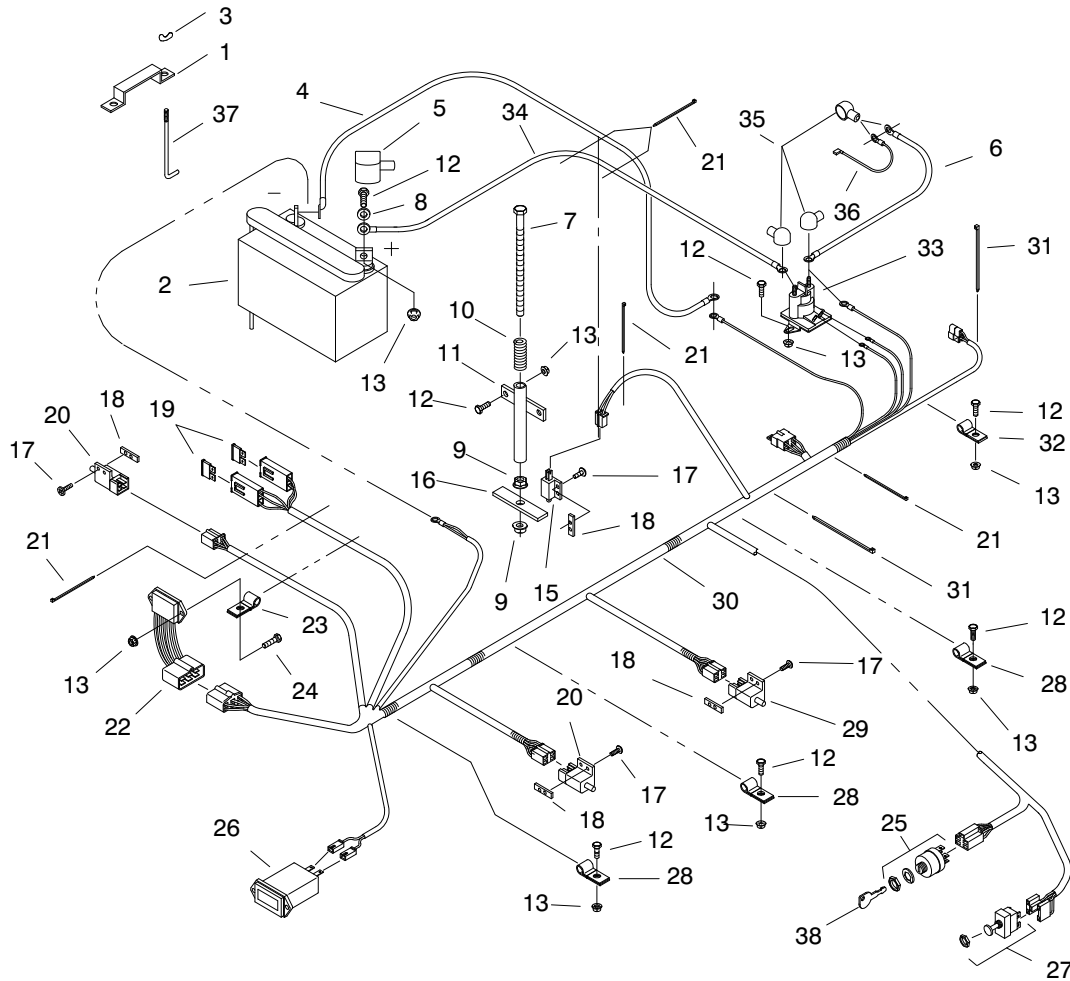


Sheet No.:9

Shields And Clutch Assembly

Ref. No.	Part No.	Qty.	Description
1	E613235	4	Washer
3	E523420	2	Bumper
4	E633545	2	Spacer-Grommet
5	E633543	1	Strap-Clutch/Brake
6	E603610	2	Washer - Spring, Disc
7	E633615	1	Guard-Clutch
8	E633988	1	Spacer-Clutch, Anchor
9	E631732	1	Clutch-Magstop
9:2	E303335	1	Tie-Plastic
10	E633179	1	Spacer-Clutch
11	E644276	1	Shield & Decal ASM
11:1	E643252	1	Decal - Drive, Belt
11:2	E513748	1	Decal-Guard
11:3	E633462	1	Decal-Important
12	E543232	1	Nipple
13	E303428	1	Elbow
14	E634796	1	Shield-LH
17	E633466	1	Guard-Muffler
20	E643264	2	Bracket-Guard, Top
22	321-4	10	Screw-HH
24	323-6	6	Screw-HH
25	3212-10	1	Screw-HH
27	32146-17	4	Nut-Lock
29	3256-2	4	Washer-Flat
30	3256-3	1	Washer-Flat

Ref. No.	Part No.	Qty.	Description
31	32128-20	1	Nut-Hex Flange
32	3290-357	4	Nut-Lock
33	32128-33	7	Nut-Hex Flange
34	E633396	1	Clip - Loom
35	E809076	2	Screw-HH
36	E323235	2	Washer Spring, Disc
37	E323236	2	Spacer
38	E633630	2	Grommet
39	322-6	1	Screw-HH
40	322-19	1	Screw-HH
41	3296-41	1	Nut-Lock Ni
42	E633830	1	Kohler Command Ch25
43	E634797	1	Shield-RH
44	E633771	1	Decal - Belt, Pump

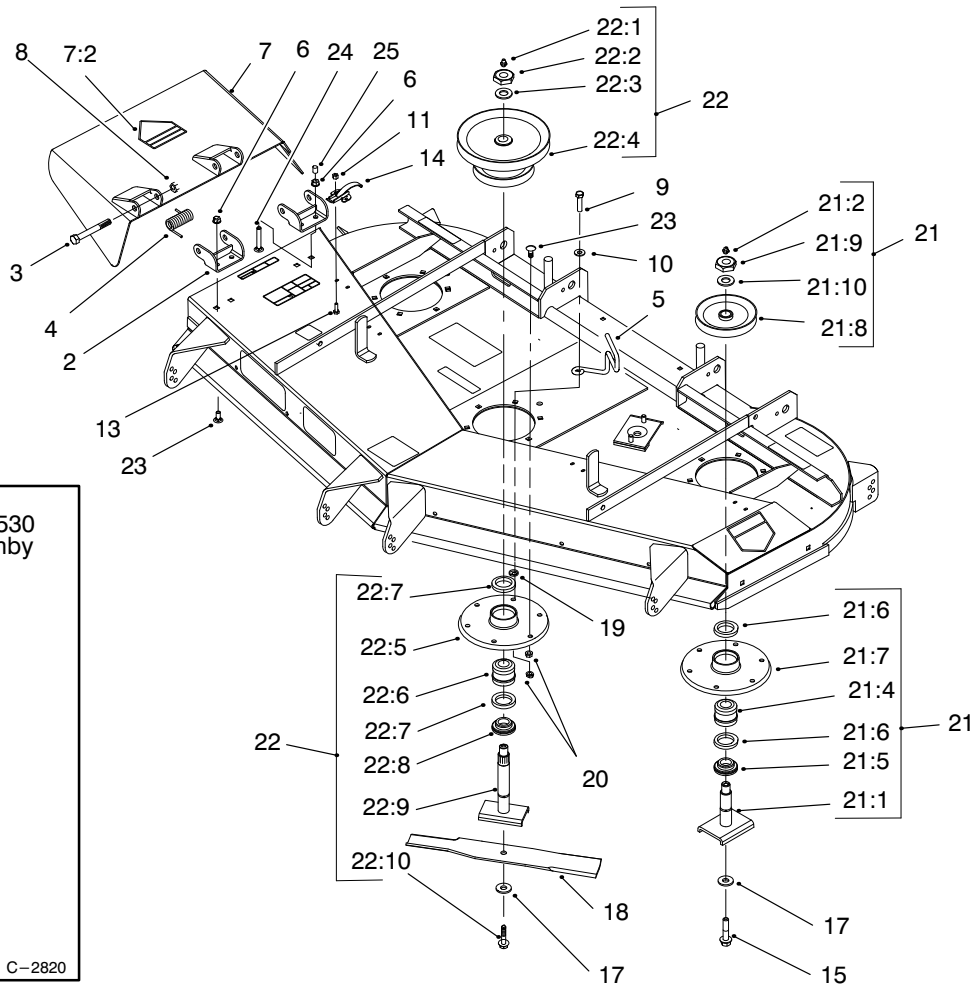


Sheet No.:11

Electrical System Assembly

Ref. No.	Part No.	Qty.	Description
1	E633652	1	Strap-Battery Hold Down
2	E603479	1	Battery-12v
3	E543792	2	Wingnut-Nyloc
4	E633307	1	Wire-Ground
5	E543391	1	Insulator-Battery
6	E633306	1	Wire-Starter
7	E800282	1	Screw-HH
8	3256-2	2	Washer-Flat
9	32128-20	2	Nut-Hex Flange
10	E523415	1	Spring-Switch, Seat
11	E522424	1	Spring Mount
12	321-4	8	Screw-HH
13	32128-33	11	Nut-Hex Flange
15	E513152	1	Switch-Seat
16	E513180	1	Actuator - Switch, Seat
17	E803028	8	Screw
18	E633181	4	Plate-Tapped
19	E816001	2	Fuse-Blade Type 20 Amp
20	E633111	2	Switch-Drive Lever
21	E303287	5	Tie-Plastic
22	E543316	1	Module-Safety
23	E513762	1	Clip
24	321-6	1	Screw-HH

Ref. No.	Part No.	Qty.	Description
25	E543070	1	Switch-Ignition
26	E513374	1	Meter-Engine Hours
27	E633673	1	Switch-PTO
28	E633396	3	Clip - Loom
29	E633110	1	Switch-Brake
30	E643119	1	Harness-Wiring
31	E303335	2	Tie-Plastic
32	E323229	1	Clip-Loom
33	E513075	1	Switch-12v Solenoid
34	E523281	1	Cable-Battery
35	E543393	3	Insulator-Solenoid
36	E543084	1	Wire-Starter Solenoid
37	E633651	2	Bolt-Battery Hold Down
38	63-8360	2	Key-Ignition w/Shield

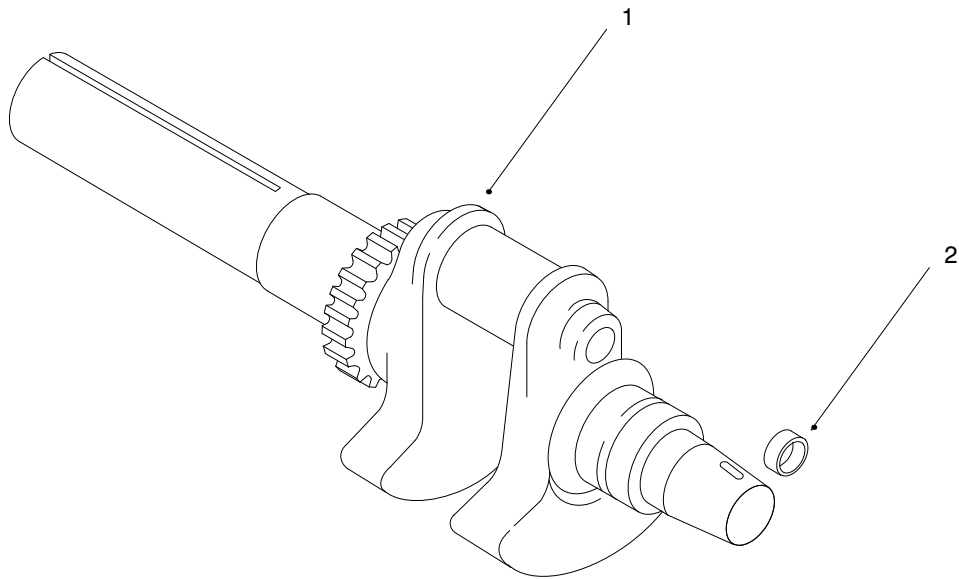


Sheet No.:33

Spindle And Pulley Assembly

Ref. No.	Part No.	Qty.	Description
2	51-1530-01	2	Bracket-Hinge
3	325-17	2	Screw-HH
4	51-1550	2	Spring
5	99-8933	1	Belt-Guide
6	3290-357	4	Nut-Lock
7	14-0909	1	Deflector ASM
7:2	54-9220	1	Decal-Danger
8	32153-5	2	Nut-Lock
9	323-8	1	Screw-HH
10	3256-3	1	Washer-Flat
11	32128-17	8	Nut-Flange Lock
13	3290-321	8	Screw-HWH
14	249-21	4	Clamp-Slotted
15	92-5816	2	Flangebolt-Blade
17	E513435	3	Washer-Spring
18	44-6250	3	Blade 21.5
19	3256-24	1	Washer-Flat
20	32128-21	18	Nut-Flange Lock
21	99-4640	2	Spindle Housing ASM
21:1	27-0920	1	Shaft-Spindle
21:2	302-2	1	Fitting-Grease
21:4	46-8530	1	Bearing ASM
21:5	27-0950	1	Spacer-Bearing, Spindle
21:6	253-139	2	Seal-Oil
21:7	61-4160	1	Spindle

Ref. No.	Part No.	Qty.	Description
21:8	99-4614	1	Pulley & Hub
21:9	32146-20	1	Nut-Jam
21:10	7-4150	1	Washer-Pinion
22	99-4944	1	Spindle Housing ASM
22:1	302-2	1	Fitting-Grease
22:2	32146-20	1	Nut-Jam
22:3	92-5836	1	Washer - Axle
22:4	99-4939-03	1	Pulley & Hub ASM
22:5	61-4160	1	Spindle
22:6	46-8530	1	Bearing ASM
22:7	253-139	2	Seal-Oil
22:8	27-0950	1	Spacer-Bearing, Spindle
22:9	51-3551	1	Shaft-Spindle
22:10	92-5816	1	Flangebolt-Blade
23	3231-22	20	Screw-CARR
24	3231-33	1	Screw-CARR
25	105316	1	Cap-Plunger Rod

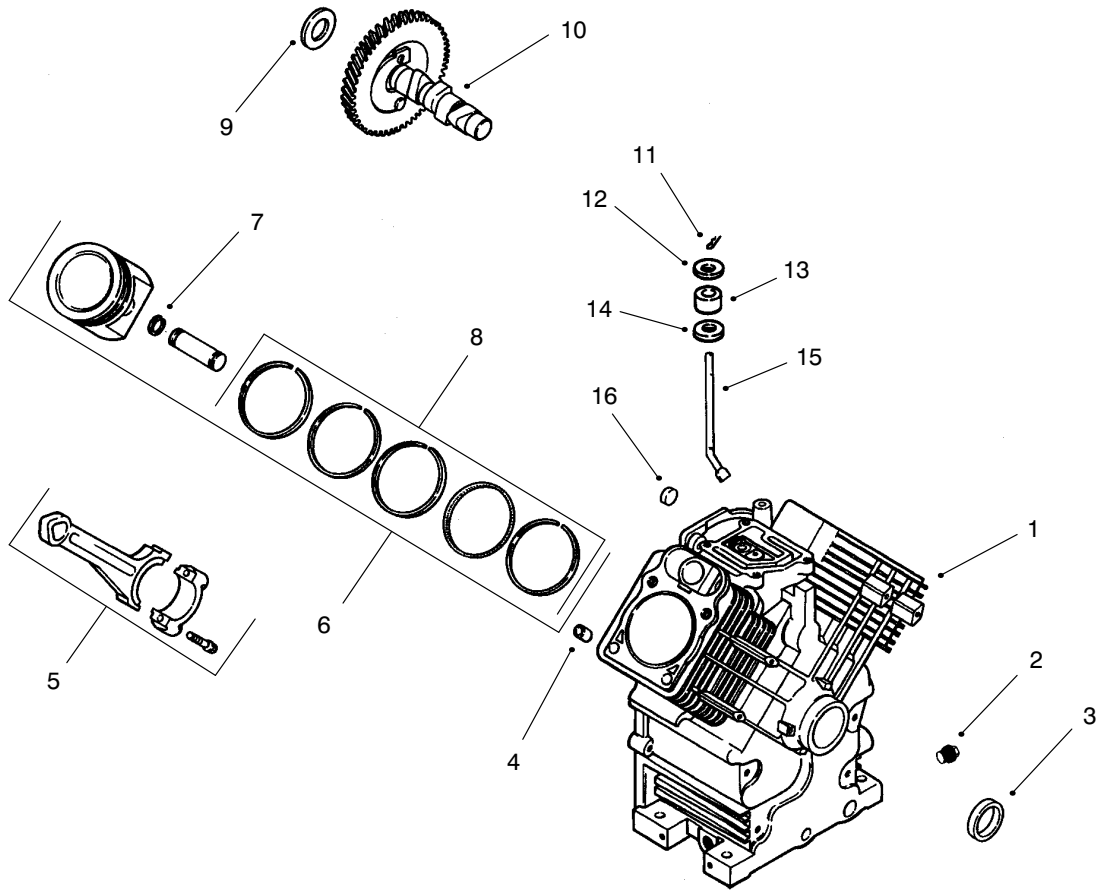


Group 1 – Crankshaft (CH25S 68606 Kohler)

Ref. No.	Part No.	Description	No. Used
1	24 014 06	Crankshaft (Includes 2)	1
2	52 139 09	Plug, cup	1

Ref. No.	Part No.	Description	No. Used

Obtain Parts From Kohler

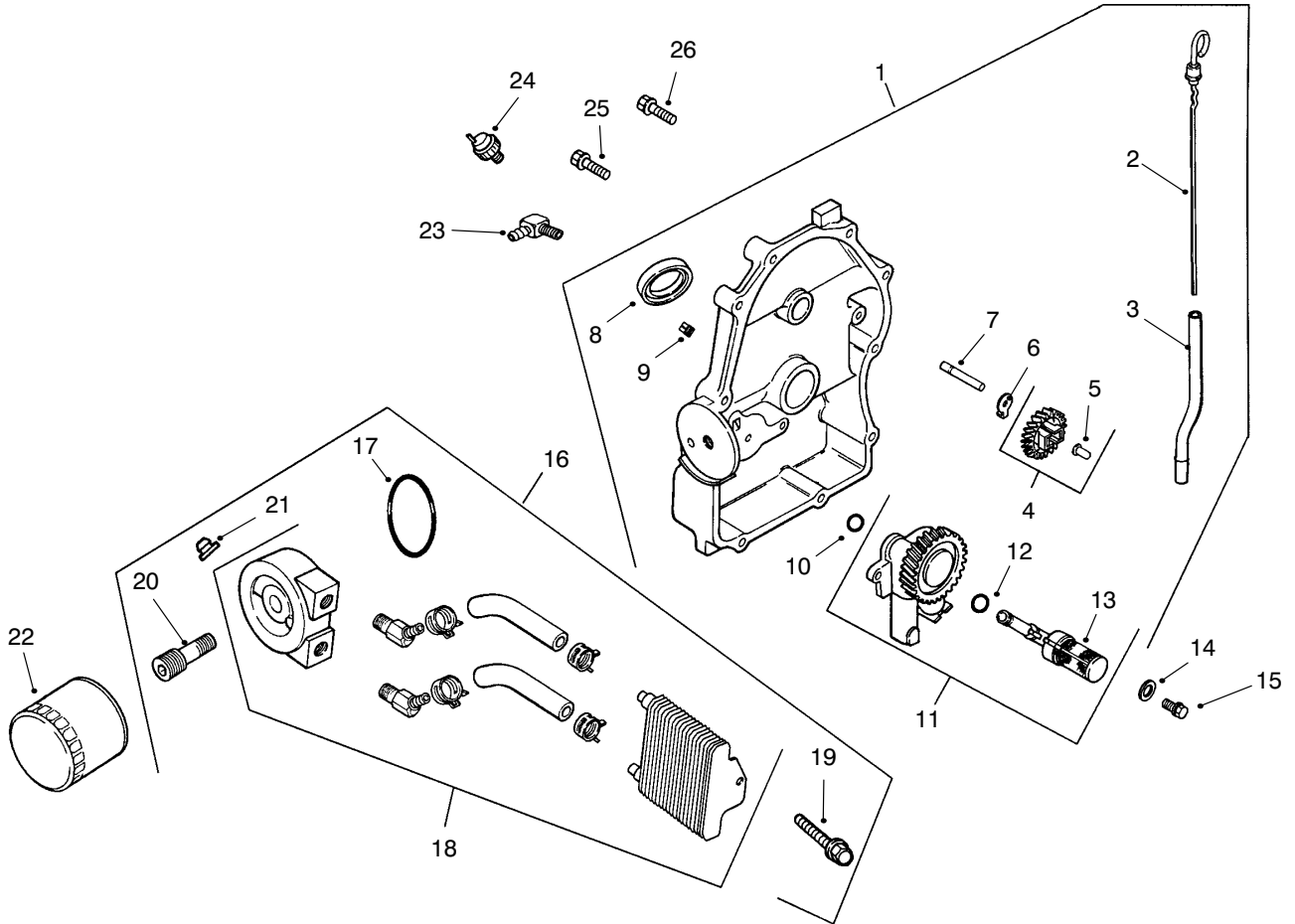


Group 2 – Crankcase (CH25S 68606 Kohler)

Ref. No.	Part No.	Description	No. Used
1	24 561 33	Cylinder Block (Includes 2,4,16,17)	1
2	X-75-10	Plug, drain	2
3	24 032 01	Seal, oil front	1
4	12 380 17	Pin, dowel locating	6
5	24 067 13	Connecting Rod (Std.)	2
	24 067 14	Connecting Rod (.25)	2
6	24 874 06	Piston w/Ring Set (Std.)	2
7	24 018 01	Retainer, piston pin	4
8	24 108 04	Ring Set (Std.)	2
9	12 422 09	Shim, camshaft – red	A/R
	12 422 13	Shim, camshaft – black	A/R
	12 422 07	Shim, camshaft – white	A/R
	12 422 08	Shim, camshaft – blue	A/R

Ref. No.	Part No.	Description	No. Used
	12 422 10	Shim, camshaft – yellow	A/R
	12 422 11	Shim, camshaft – green	A/R
	12 422 12	Shim, camshaft – gray	A/R
10	24 012 10	Camshaft	1
11	12 380 04	Pin, hitch	1
12	M-0631005	Washer, flat	1
13	12 032 01	Seal, governor cross shaft	1
14	X-25-102	Washer, plain	1
15	24 144 01	Shaft, governor cross	1
16	52 139 09	Plug, cup	1
17	24 113 56	Not Illustrated Decal, Service	1

Obtain Parts From Kohler

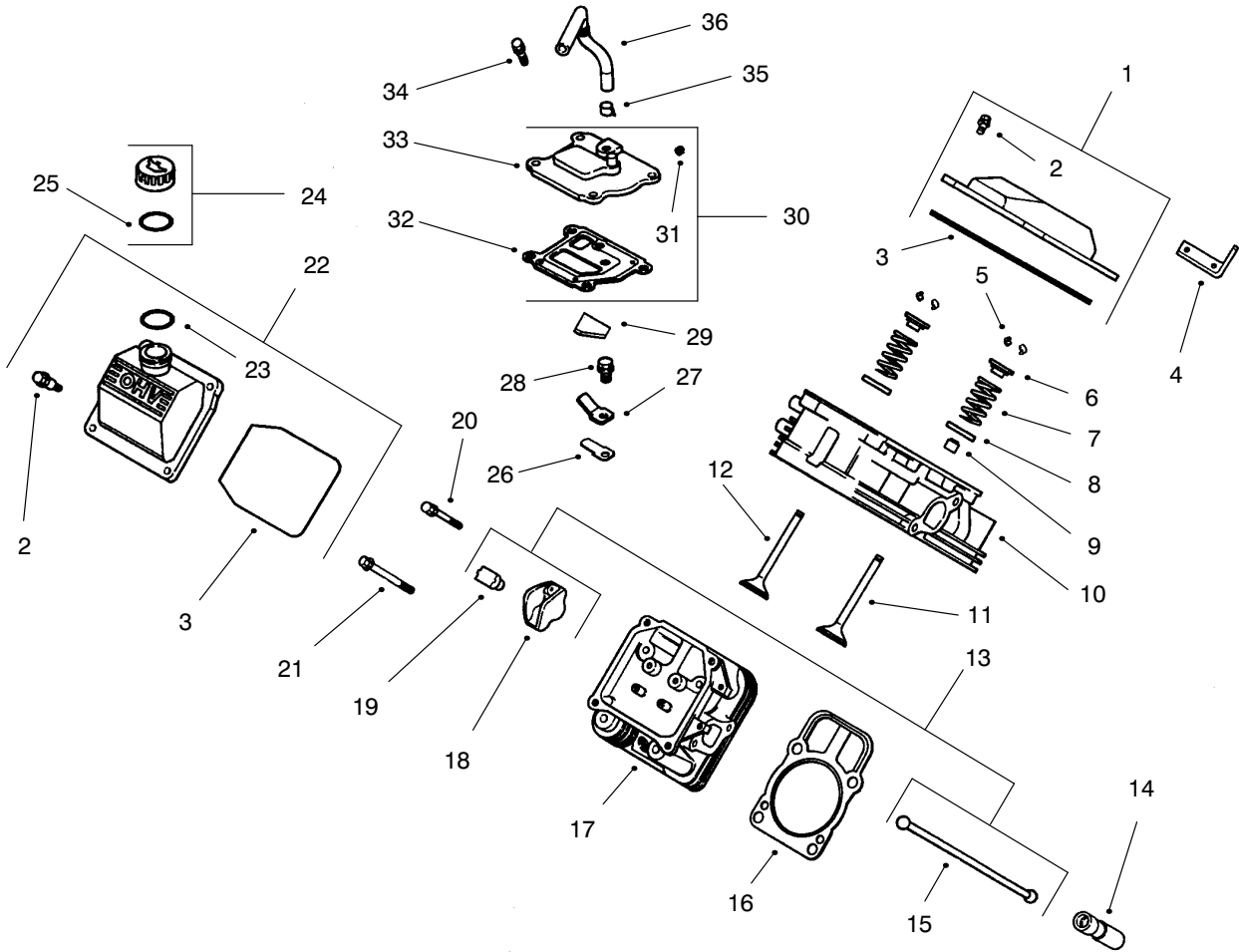


Group 3 – Oil Pan/Lubrication (CH25S 68606 Kohler)

Ref. No.	Part No.	Description	No. Used
1	24 009 83	Plate, closure assembly (Includes 2-12)	1
2	24 038 06	Dipstick	1
3	24 123 08	Tube, dipstick	1
4	24 043 12	Kit, governor gear (Includes 5)	1
5	12 380 01	Pin, governor regulating	1
6	52 448 02	Tab, locking	1
7	12 144 02	Shaft, governor gear	1
8	52 032 08	Seal, oil (PTO end)	1
9	X-75-23	Plug, pipe 1/8"	2
10	24 153 08	O-Ring	1
11	24 393 10	Oil pump assembly (Includes 12,13)	1
12	24 153 01	O-Ring, oil pick-up	1
13	24 381 04	Pick-up, oil	1
14	M-0631005	Washer, plain 6 mm	2

Ref. No.	Part No.	Description	No. Used
15	M-0645025	Screw, hex flange	2
16	54 755 14	Kit, oil cooler (Incl. 17-21)	1
17	24 253 17	O-Ring	1
18	24 594 15	Cooler, oil	1
19	24 086 12	Screw, hex	2
20	24 136 05	Nipple, oil filter	1
21	24 100 01	Nut, plastic	2
22	52 050 02	Filter, oil	1
23	25 155 02	Connector	1
24	24 099 03	Switch, pressure	1
25	24 086 16	Screw, hex flange	9
26	24 086 17	Screw, hex flange	1
27	24 113 25	Not Illustrated Decal, oil cooler	1

Obtain Parts From Kohler

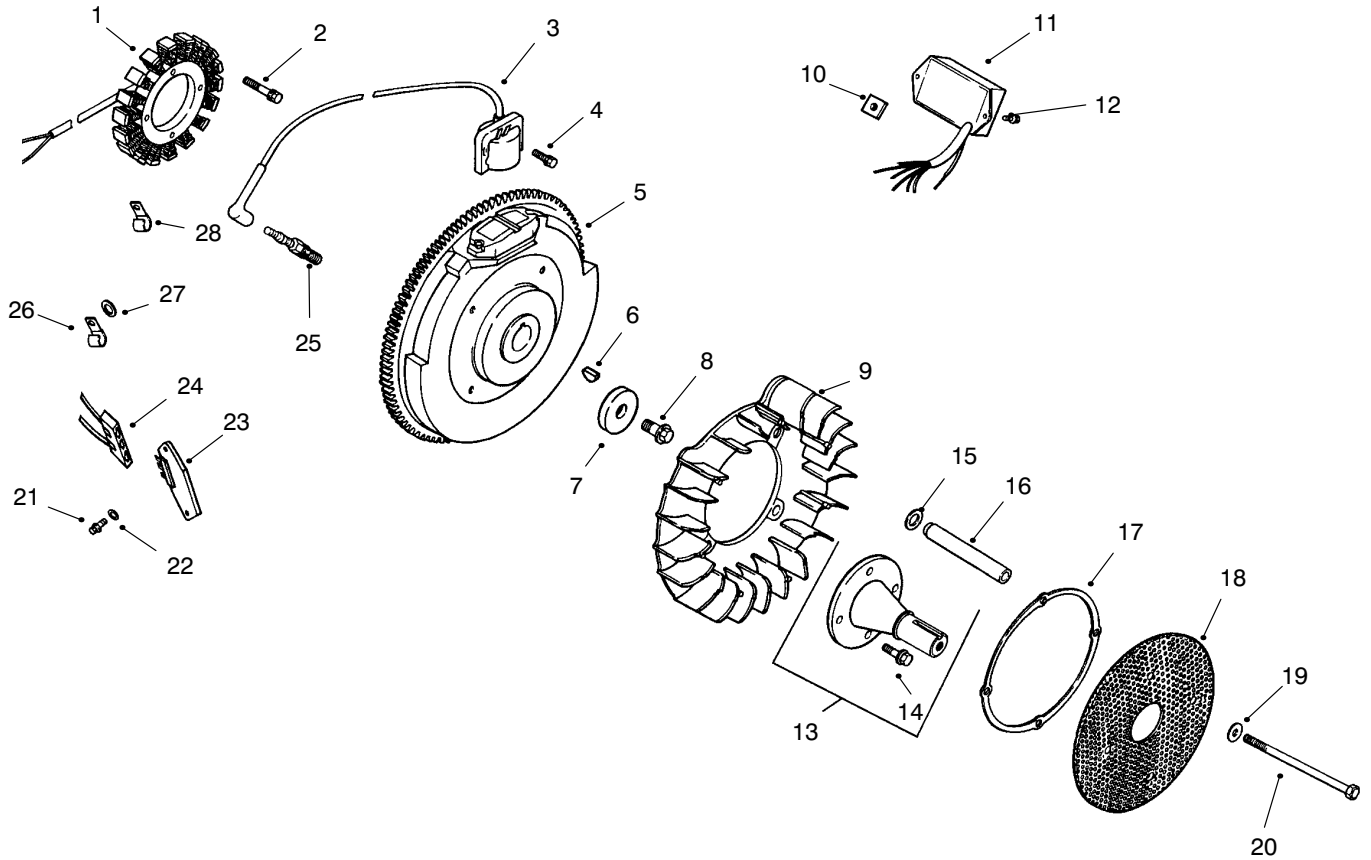


Group 4 – Head/Valve/Breather (CH25S 68606 Kohler)

Ref. No.	Part No.	Description	No. Used
1	24 755 74	Kit, valve cover – plain (Includes 2-3)	1
2	24 086 32	Screw, shoulder	4
3	24 153 16	O-Ring, valve cover	1
4	24 445 01	Strap, lifting	1
5	12 755 03	Kit, retainer	4
6	12 173 01	Cap, valve spring	4
7	24 089 02	Spring, valve	4
8	235011	Retainer, spring	4
9	24 032 05	Seal, valve stem	2
10	24 318 13	Head assembly, #1 cylinder	1
11	24 017 01	Valve, intake (Std.)	2
	24 017 02	Valve, intake (.25)	2
12	24 016 01	Valve, exhaust (Std.)	2
	24 016 02	Valve, exhaust (.25)	2
13	24 755 66	Kit, valve train (Includes 15,18,19)	1
14	12 351 02	Lifter, valve	4
15	24 411 05	Rod, push	4
16	24 041 37	Gasket, cylinder head	2
17	24 318 14	Head assembly, #2 cylinder	1

Ref. No.	Part No.	Description	No. Used
18	25 186 01	Arm, rocker	4
19	24 599 01	Pivot, rocker arm	4
20	M-0640034	Screw, hex. flange	4
21	24 086 44	Screw, hex. flange	8
22	24 755 75	Kit, valve cover – oil fill (Includes 2,3,23)	1
23	24 153 09	O-Ring	1
24	24 755 46	Kit, oil fill cap (Includes 25)	1
25	12 153 03	O-Ring, oil fill cap	1
26	24 402 03	Reed, breather	1
27	12 018 01	Retainer, breather reed	1
28	M-0545010	Screw, hex. flange	1
29	24 050 01	Filter, breather	1
30	24 033 01	Kit, breather (Includes 31-33)	1
31	X-75-23	Plug, allen head pipe	1
32	24 041 23	Gasket, breather	1
33	24 096 02	Cover, breather	1
34	M-0645020	Screw, hex. flange	4
35	X-426-9	Clamp, breather	1
36	24 326 06	Hose, breather	1

Obtain Parts From Kohler

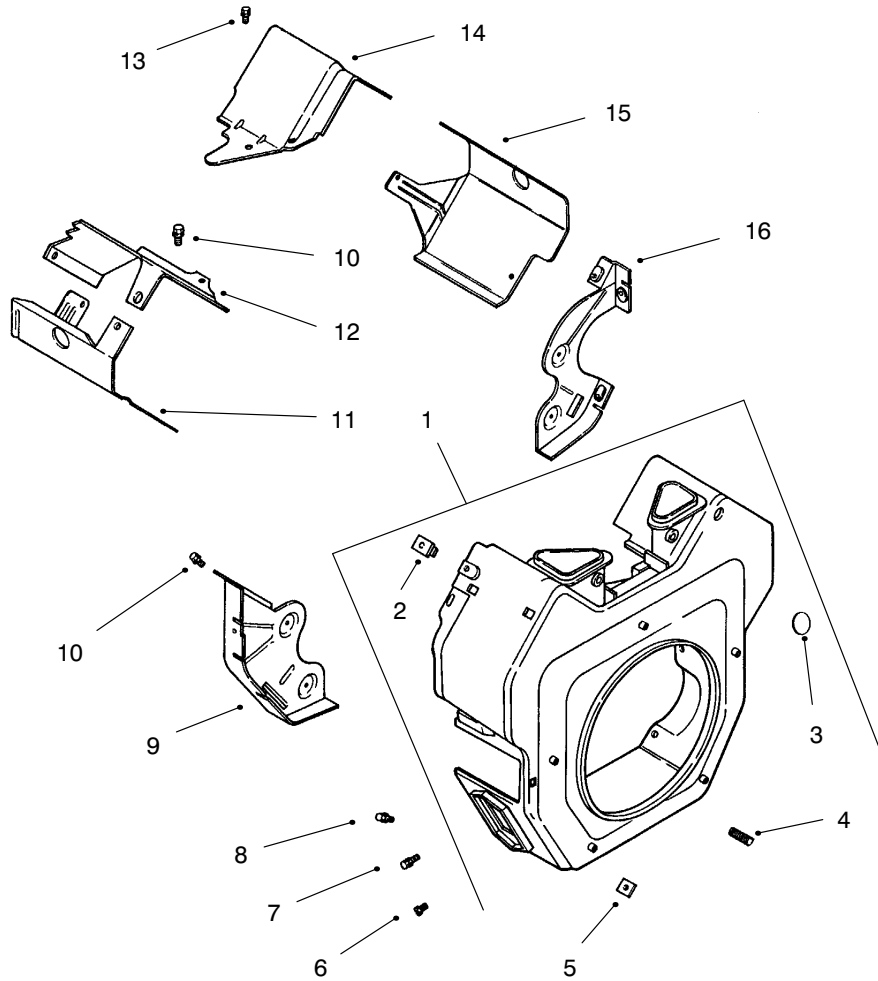


Group 5 – Ignition/Electrical (CH25S 68606 Kohler)

Ref. No.	Part No.	Description	No. Used
1	54 755 09	Kit, 15 amp stator (Incl. 24 126 71 bracket)	1
2	M-0548025	Screw, hex. cap	2
3	24 584 11	Module, ignition	2
4	M-0561025	Screw, hex. socket hd.	4
5	24 025 03	Flywheel	1
6	X-42-15	Key	1
7	12 468 03	Washer, plain 3/8"	1
8	12 086 14	Screw, hex flange	1
9	24 157 03	Fan	1
10	24 100 02	Nut, plastic	2
11	24 584 09	Module, spark advance	1
12	24 086 41	Screw, phillips hd.	2
13	24 755 08	Kit, front drive shaft (Includes 14)	1
14	M-0839025	Screw, hex flange	4
15	24 468 11	Washer, spring 10mm	4
16	24 112 14	Spacer	4
17	24 141 06	Ring, support	1
18	24 162 22	Screen, grass	1

Ref. No.	Part No.	Description	No. Used
19	X-25-53	Washer, plain 1/4"	4
20	M-0603100	Screw, hex	4
21	24 086 18	Screw, phillips hd.	2
22	X-25-92	Washer, plain 3/16	2
23	25 403 03	Rectifier-regulator 15 amp	1
24	236602	Connector	1
25	12 132 06	Spark Plug	2
26	47 154 01	Clip, cable	1
27	X-25-63	Washer, plain 1/4"	1
28	48 154 02	Clip, cable	1
	25 518 28	Not Illustrated Lead, black, (4" – 18 gauge – insulated grip barrel eyelet terminals)	1
	24 176 38	Harness, wiring	1
	24 755 56	Kit, wiring (Includes Terminal #25 542 17 & Tie X-468-1)	1
	24 126 71	Bracket, stator wire	1
	X-22-11	Washer, lock	1

Obtain Parts From Kohler

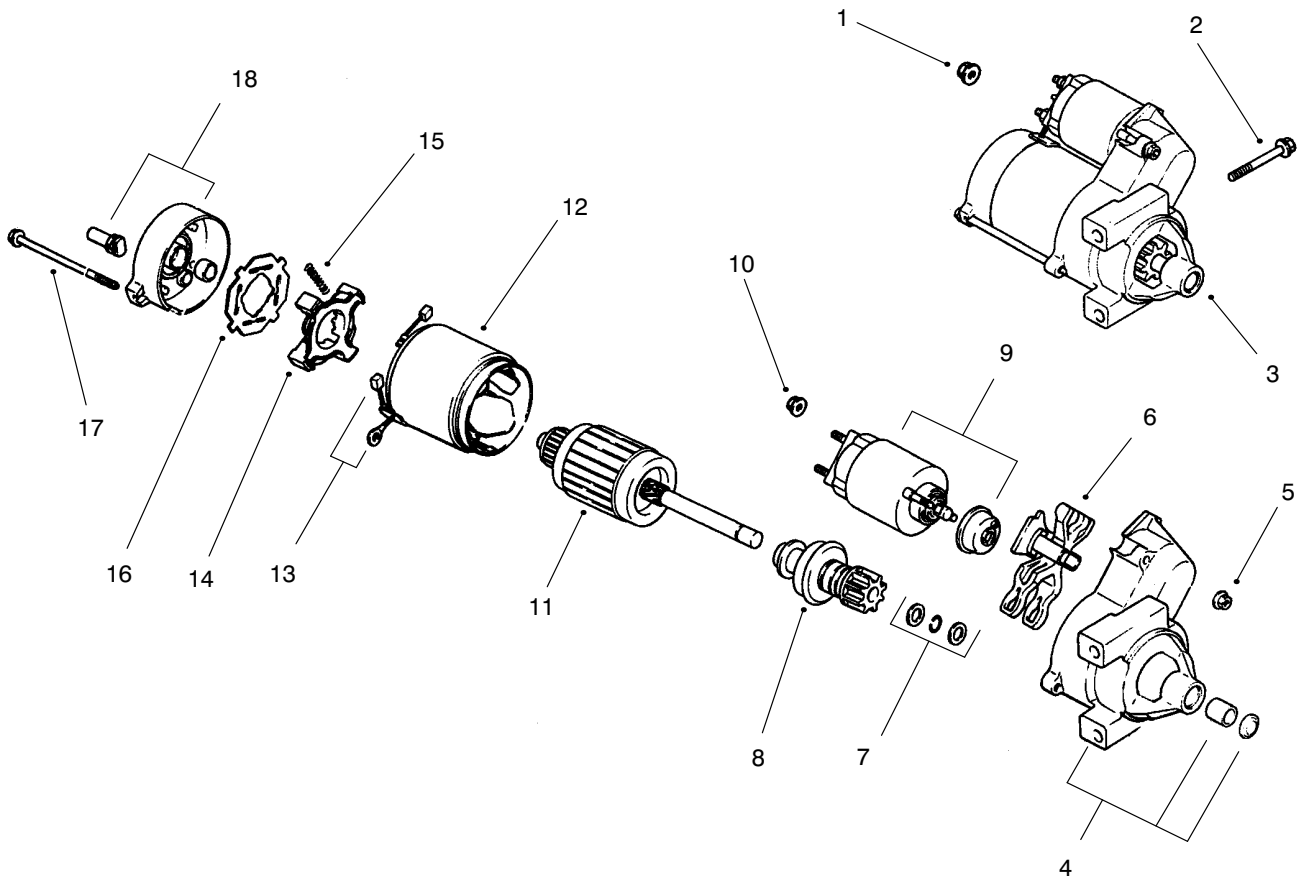


Group 6 – Blower Housing & Baffles (CH25S 68606 Kohler)

Ref. No.	Part No.	Description	No. Used
1	24 027 40	Housing, blower (Includes 2-5)	1
2	24 100 02	Nut, plastic	2
3	25 139 16	Button plug	1
4	25 086 43	Screw, set	1
5	24 100 01	Nut, plastic	2
6	M-0551016	Screw, hex. flange	1
7	M-0545016	Screw, hex. flange	5
8	M-0567020	Screw, hex. flange	2
9	24 146 11	Plate, backing - #2 side	1

Ref. No.	Part No.	Description	No. Used
10	M-0645016	Screw, hex. flange	6
11	24 063 39	Baffle, cyl. barrel - #2 side	1
12	24 063 17	Baffle, valley - #2 side	1
13	M-0545010	Screw, hex. flange	2
14	24 063 24	Baffle, valley - #1 side	1
15	24 063 30	Baffle, cyl. barrel - #1 side	1
16	24 146 08	Plate, backing - #1 side	1
		Not Illustrated	
	24 113 69	Decal, HP	1

Obtain Parts From Kohler

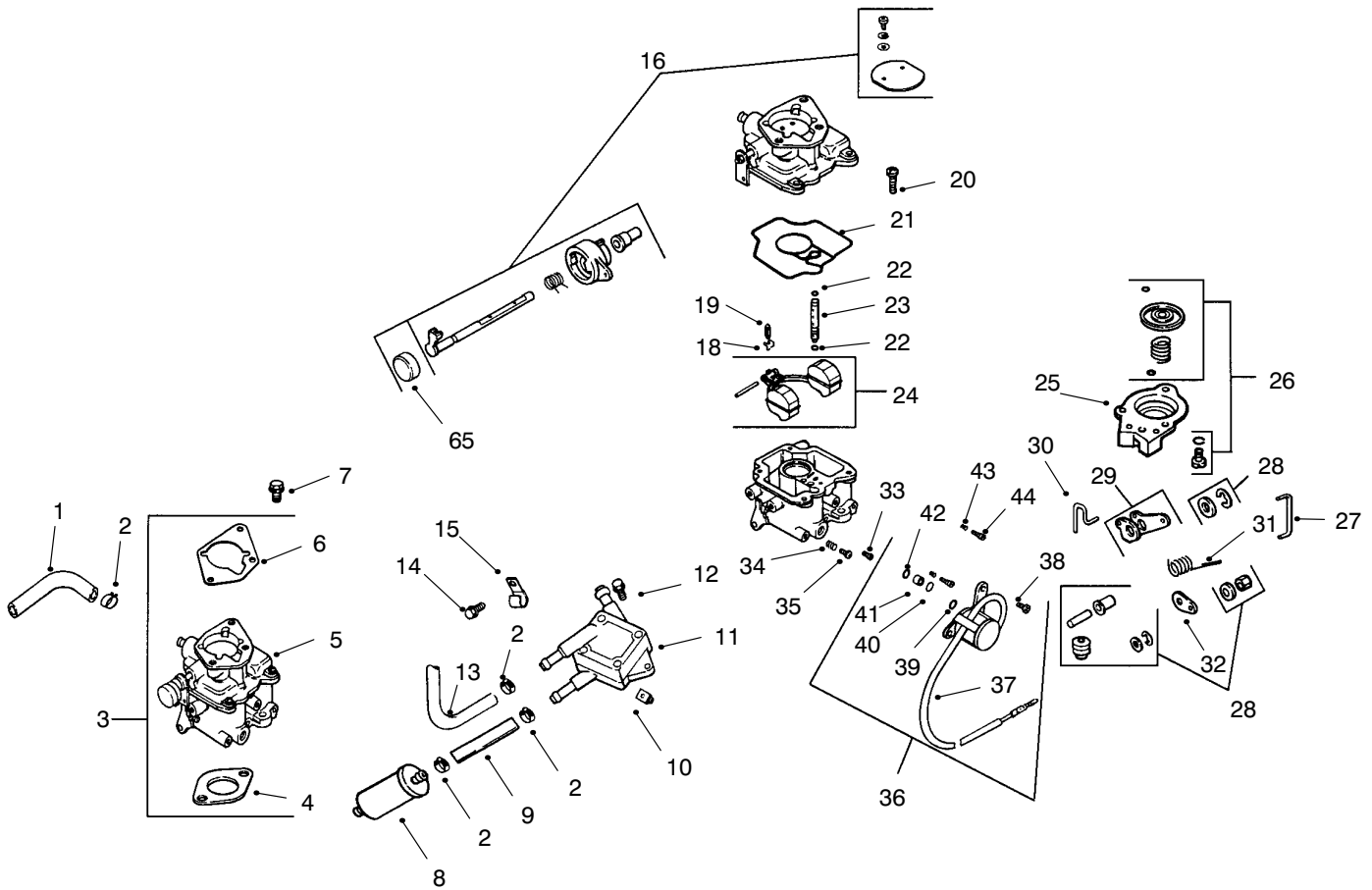


Group 7 – Starting System (CH25S 68606 Kohler)

Ref. No.	Part No.	Description	No. Used
1	M-0841080	Nut, hex flange	1
2	M-0839080	Screw, hex. flange	2
3	24 098 01	Starter, solenoid shift assembly (Incl. 4-18)	1
4	24 081 04	Drive, end cap	1
5	52 100 10	Nut, starter	2
6	12 090 10	Lever, starter drive	1
7	24 755 84	Kit, starter repair	1
8	12 239 01	Drive, pinion	1
9	52 435 02	Solenoid	1

Ref. No.	Part No.	Description	No. Used
10	52 100 09	Nut, starter	1
11	12 170 04	Armature, starter	1
12	12 471 01	Frame	1
13	52 221 01	Kit, brush & spring (Includes 15)	1
14	52 323 03	Holder, brush	1
15	52 089 09	Spring, brush	4
16	52 168 01	Insulator	1
17	52 211 05	Bolt, thru	2
18	24 301 01	Commutator, end cap	1

Obtain Parts From Kohler

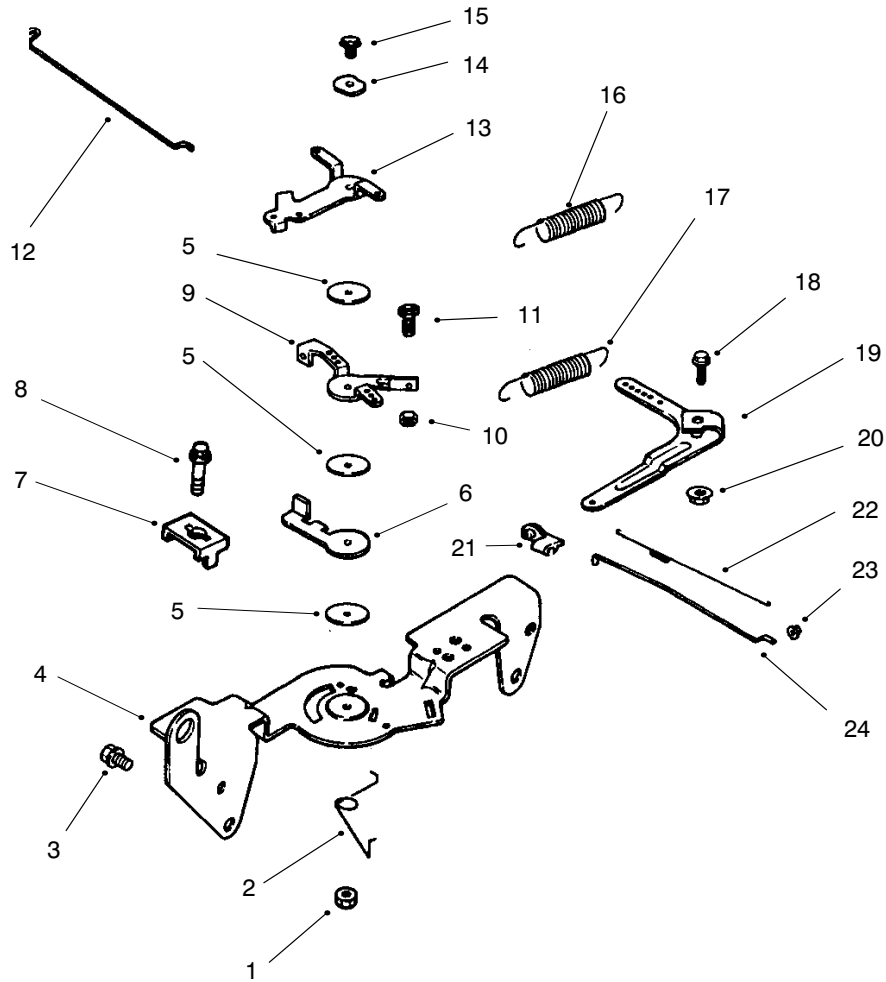


Group 8 – Fuel System (CH25S 68606 Kohler)

Ref. No.	Part No.	Description	No. Used
1	25 353 10	Line, fuel – 9"	2
2	X-426-9	Clamp, hose	6
3	24 853 34	Kit, carburetor w/gasket (Includes 4-6)	1
4	24 041 06	Gasket, air cleaner base	1
5	24 053 34	Carburetor assembly (For information only not available separately)	1
6	24 041 17	Gasket, carburetor	1
7	M-0651030	Screw, hex. flange	2
8	24 050 02	Filter, fuel	1
9	25 353 15	Line, fuel	1
10	24 100 01	Nut, plastic	2
11	24 393 04	Pump, fuel-pulse	1
12	24 086 12	Screw, hex	2
13	24 353 02	Line, fuel 15-1/2"	1
14	M-0650012	Screw, hex flange	1
15	47 154 01	Clip, cable	1
18	24 154 01	Clip, inlet needle valve	1
19	24 462 01	Valve, inlet needle	1
20	24 086 09	Screw, sems pan hd.	4
21	24 041 09	Gasket, carburetor body	1
22	24 153 02	O-Ring, slow jet	1
23	24 337 29	Jet, slow	1
24	24 757 02	Kit, float repair	1
25	24 081 05	Housing, pump	1

Ref. No.	Part No.	Description	No. Used
26	24 757 08	Kit repair-accelerator pump	1
27	24 079 07	Linkage, rod	1
28	24 757 09	Kit repair-accelerator pump diagram	1
29	24 090 16	Lever, rod	1
30	24 079 06	Linkage, rod	1
31	24 089 27	Spring, Linkage	1
32	24 090 15	Lever, Linkage	1
33	24 337 30	Jet, main	1
34	24 086 10	Screw, idle speed adj.	1
35	24 089 10	Spring, idle speed adj.	1
36	24 757 01	Kit, solenoid asm. (Includes 37-42)	1
37	24 153 06	O-Ring, solenoid	1
38	24 521 01	Seat, solenoid	1
39	24 153 05	O-Ring, solenoid	1
40	24 153 04	O-Ring, solenoid	1
41	24 435 01	Solenoid	1
42	24 086 07	Screw, sems pan hd.	2
43	24 089 11	Spring, idle adj.	1
44	24 368 01	Needle, idle adj.6	1
		Not Illustrated	
	24 757 03	Kit, carburetor repair	1
	24 757 07	Kit, choke repair (Includes 17)	1
	24 173 02	Cap, choke lever	1

Obtain Parts From Kohler

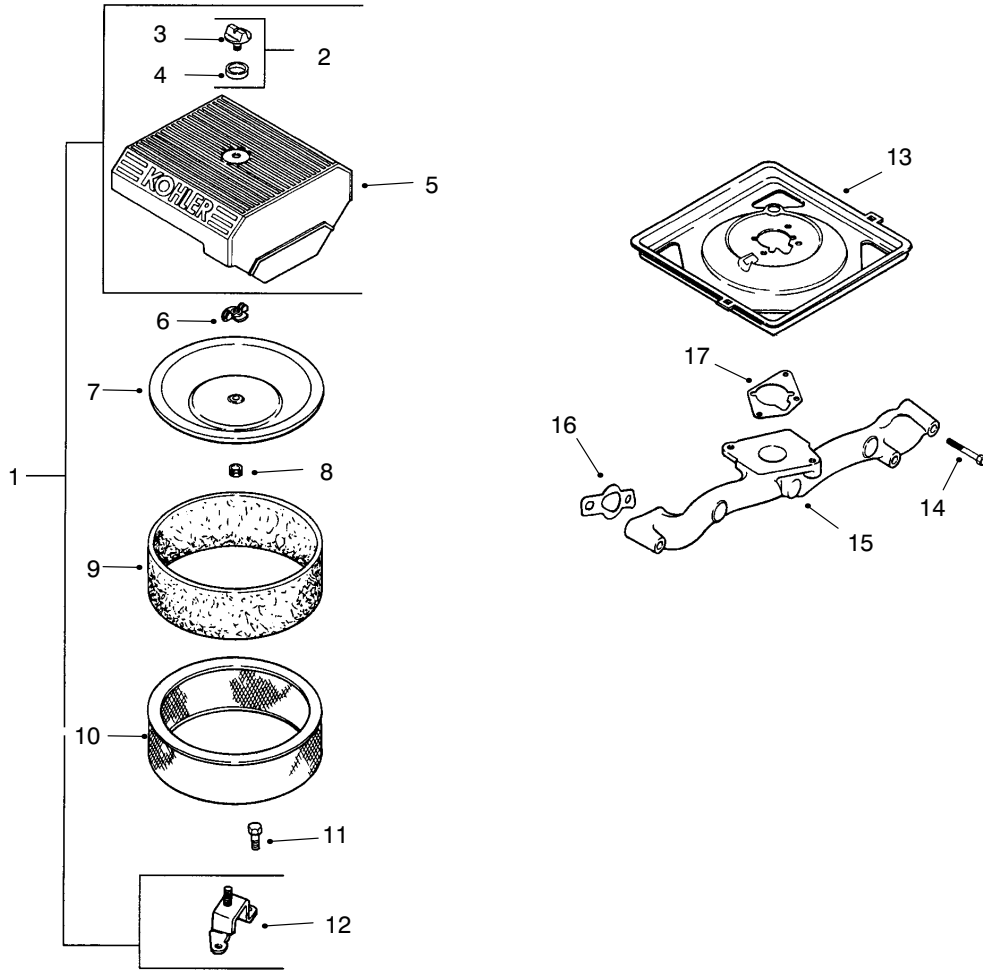


Group 9 – Engine Controls (CH25S 68606 Kohler)

Ref. No.	Part No.	Description	No. Used
1	M-0547050	Nut, hex. lock	1
2	24 089 03	Spring, choke return	1
3	M-0645016	Screw, hex. flange	4
4	24 126 56	Bracket, control	1
5	24 468 01	Washer, plain	3
6	24 090 07	Lever, throttle actuator	1
7	12 237 01	Clamp, cable	2
8	M-0545016	Screw, hex. flange	2
9	24 090 03	Lever, throttle control	1
10	M-0446030	Nut, hex	1
11	M-0401030	Screw, hex. cap	1
12	24 079 02	Linkage, choke	1

Ref. No.	Part No.	Description	No. Used
13	24 090 05	Lever, choke	1
14	41 468 03	Washer, spring	1
15	M-0545020	Screw, hex. flange	1
16	24 089 38	Spring, throttle limiter	1
17	24 089 15	Spring, governor	1
18	SM-0642025	Screw, hex. flange	1
19	24 090 14	Lever, governor	1
20	M-0641060	Nut, hex. flange	1
21	25 158 11	Bushing, linkage retaining	1
22	24 089 01	Spring, linkage	1
23	25 158 08	Bushing, linkage retaining	1
24	24 079 01	Linkage, throttle	1

Obtain Parts From Kohler

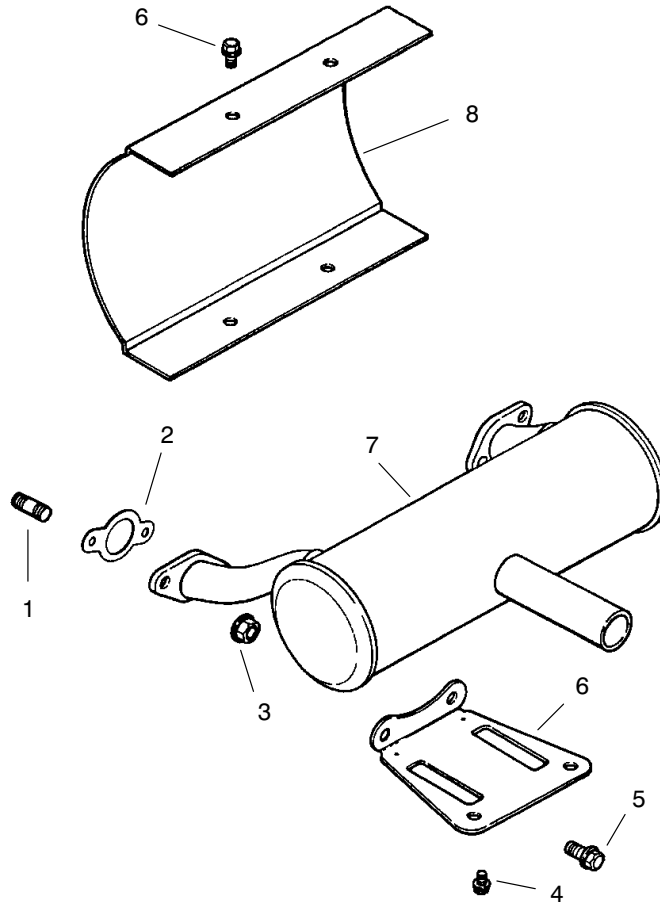


Group 10 – Air Intake/Filtration (CH25S 68606 Kohler)

Ref. No.	Part No.	Description	No. Used
1	24 753 05	Kit, air cleaner (Includes 2-5, 12)	1
2	54 755 01	Kit, air cleaner knob (Includes 3,4)	1
3	25 341 03	Knob, cover	1
4	24 153 15	O-Ring	1
5	24 096 24	Cover, air cleaner	1
6	12 100 01	Wing Nut	2
7	24 096 01	Cover, inner air cleaner	1
8	230046	Seal, inner air cleaner	1

Ref. No.	Part No.	Description	No. Used
9	24 083 05	Precleaner, element	1
10	24 083 03	Element, air cleaner	1
11	M-0645016	Screw, hex flange	3
12	24 126 43	Bracket, air cleaner base	1
13	24 094 11	Base, air cleaner	1
14	M-0651055	Screw, hex flange	4
15	24 164 14	Manifold, intake	1
16	24 041 01	Gasket, intake manifold	2
17	24 041 06	Gasket, air cleaner base	1

Obtain Parts From Kohler



Group 11 – Exhaust (CH25S 68606 Kohler)

Ref. No.	Part No.	Description	No. Used
1	25 072 04	Stud	4
2	24 041 02	Gasket, exhaust	2
3	M-0841080	Nut, hex flange	4
4	M-0650012	Screw, hex. flange	4
5	M-0839020		2
6	24 126 12	Bracket, muffler	1
7	24 068 17	Muffler Canister – Center Outlet	1

Ref. No.	Part No.	Description	No. Used
8	24 314 04	Shield, heat	1
		Not Illustrated	
	24 522 85	Short Block	1
	24 782 01	Miniblock	1
	54 755 23	Gasket Set	1

Obtain Parts From Kohler

