



**Count on it.**

**Parts Catalog**

**Brush Cutter**

**TXL 2000 Tool Carrier**

Model No. 22534—Serial No. 318000001 and Up



# Ordering Replacement Parts

To order replacement parts, please supply the part number, the quantity, and the description of each part desired.

## Understanding Reference Numbers

Each identified part in an illustration has a reference number. The reference number for a part also appears in the parts list, along with other information about the part.

This catalog uses two special reference number formats, one to indicate parts in a service assembly and another to indicate the quantity of a given part in an illustration.

## Service Assembly Reference Numbers

Parts in service assemblies have reference numbers in the form a:b. The a represents the reference number of the entire service assembly and the b represents a sequential number unique to each part within the service assembly.

For example, a wheel assembly might be identified by reference number 6, the tire by 6:1, the valve by 6:2, and the wheel by 6:3. When you order the assembly identified by reference number 6, you receive all parts identified by reference numbers 6:1, 6:2, and 6:3. However, you may also order any part individually. Reference numbers of this type appear in illustration and in parts lists.

## Reference Numbers Indicating Quantity

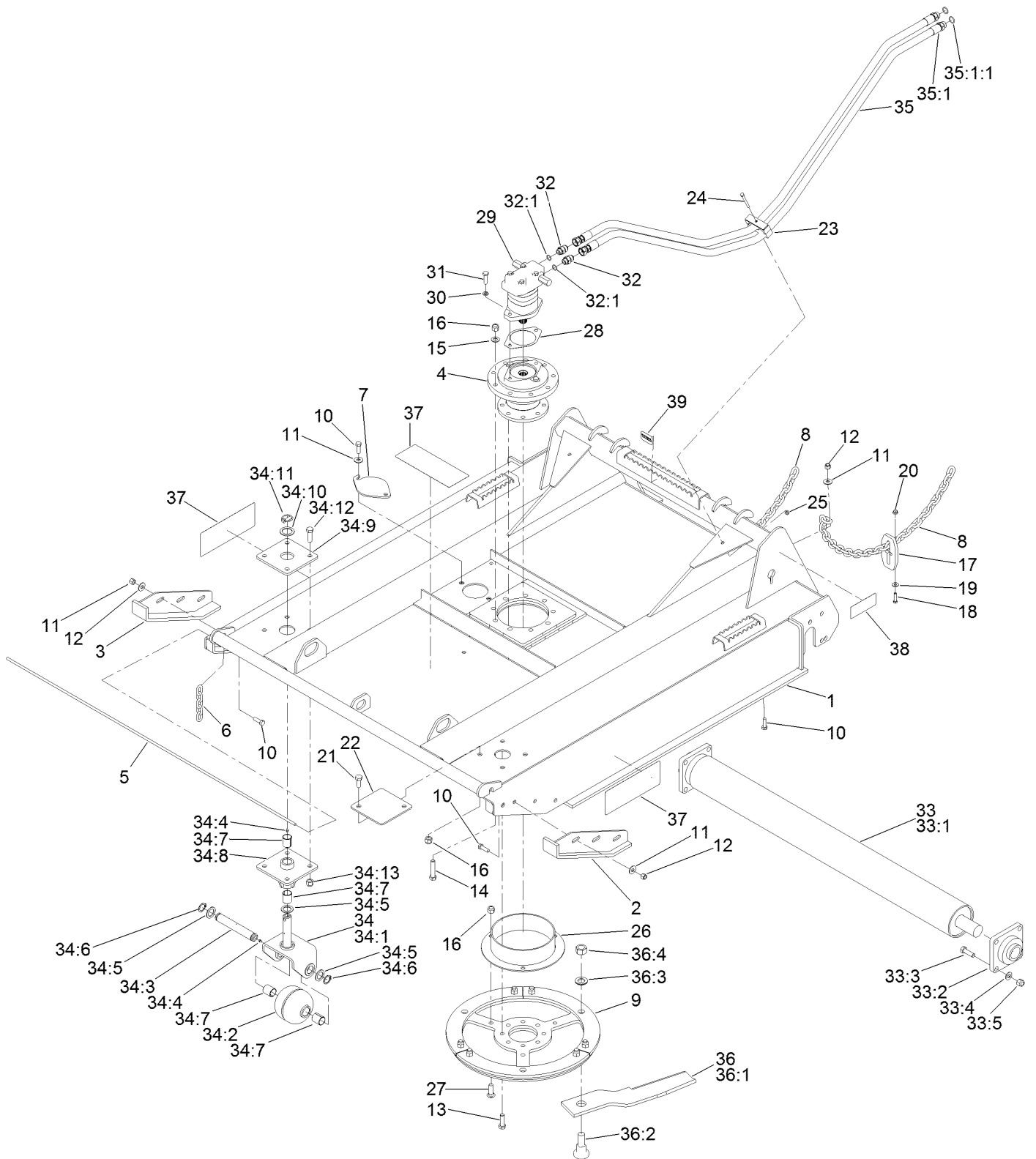
In an illustration, if a reference number indicates more than one part, the reference number has the form nX y. The n represents the quantity of the part, the X is the multiplication symbol, and the y represents the reference number.

For example, in an illustration, the reference number 2X 37 means that two of the parts identified by reference number 37 are indicated.

# Contents

Brush Cutter Assembly ..... 4  
Blade Carrier Assembly No. 138-4324 ..... 6

# Brush Cutter Assembly

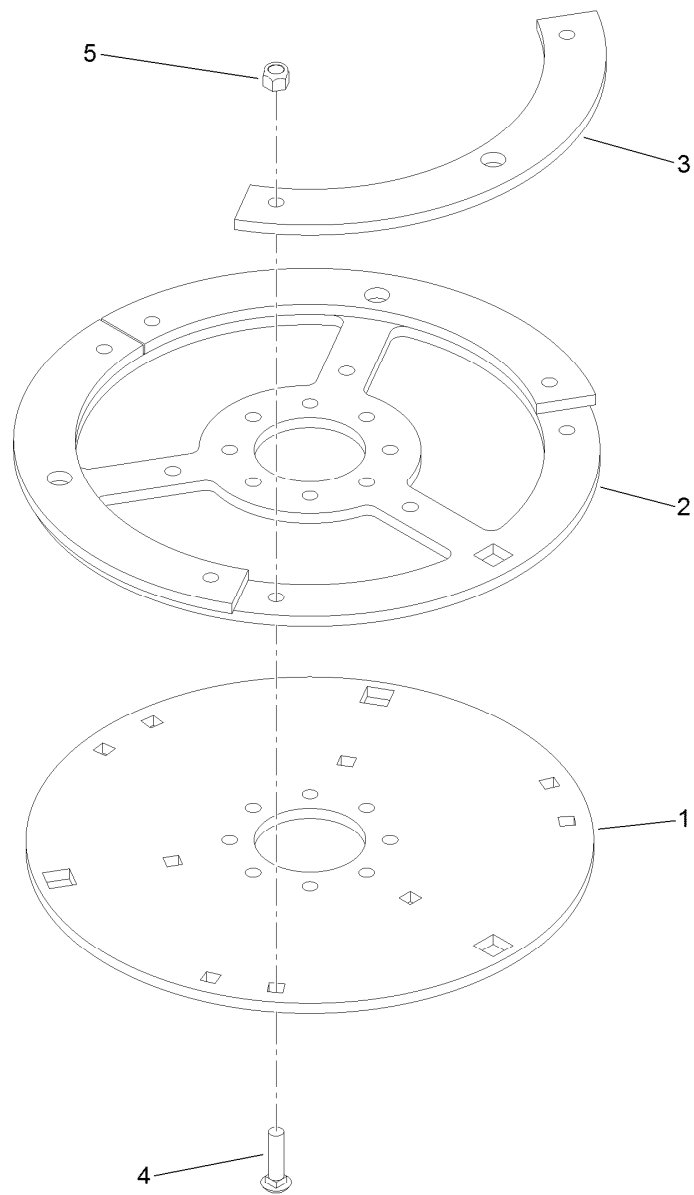


# Brush Cutter Assembly (continued)

<i>Ref.</i>	<i>Part Number</i>	<i>Qty.</i>	<i>Description</i>	<i>Ref.</i>	<i>Part Number</i>	<i>Qty.</i>	<i>Description</i>
1		1	Deck ASM ▲	32:1	237-80	1	O-Ring
2	138-4313	1	Plate-Skid, LH	33	138-4337	1	Brush Cutter Roller ASM
3	138-4314	1	Plate-Skid, RH	33:1	138-4336	1	Roller ASM
4	138-4315	1	Adapter-Bearing	33:2	137-9016	2	Bearing-Flanged
5	138-4317	1	Rod-Support, Chain	33:3	327-6	8	Screw-HH
6	138-4316	48	Chain-Link	33:4	3256-27	8	Washer-Flat
7	138-4318	1	Cover-Access, Blade Bolt	33:5	3296-53	8	Nut-Lock, NI
8	138-4319	2	Chain-Limiting, Lift	34	138-4340	2	Brush Cutter Caster ASM ■
9	138-4324	1	Blade Carrier Assembly	34:1	138-4339	1	Swivel-Caster
10	325-6	10	Screw-HH	34:2	138-4338	1	Wheel-Caster
11	3256-6	10	Washer-Flat	34:3	137-3895	1	Pin-Pivot
12	3296-23	8	Nut-Lock, NI	34:4	137-9002	2	Fitting-Zerk
13	327-6	8	Screw-HH	34:5	137-3897	3	Washer
14	104-5895	9	Screw-HH	34:6	32151-77	2	Ring-Retaining, External
15	3256-27	9	Washer-Flat	34:7	137-4896	4	Bushing
16	3296-53	16	Nut-Lock, NI	34:8	138-4341	1	Mount-Lower, Caster
17	138-4330	2	Plate-Limiting, Lift	34:9	139-1417	1	Plate-Caster
18	323-8	2	Screw-HH	34:10	137-4898	1	Washer
19	3256-4	2	Washer-Flat	34:11	283-71	1	Pin-Lynch
20	104-8301	2	Nut-HF, NI	34:12	327-6	4	Screw-HH
21	327-4	4	Screw-HH	34:13	3296-53	4	Nut-Lock, NI
22	138-4332	2	Plate-Cover, Caster	35	138-5193	2	HYD Hose ASM
23	137-8969	1	Clamp-Hose	35:1		1	Fitting-Straight ▲
24	322-20	1	Screw-HH	35:1:1	237-81	1	O-Ring
25	104-8300	1	Nut-HF, NI	36	138-5237	1	60In Rotary Blade Kit
26	138-4333	1	Guard-Spindle	36:1	138-4325	3	Blade
27	HDW05603	3	Bolt-CARR	36:2	138-4326	3	Bolt-Blade
28	138-4334	1	Gasket	36:3	138-4327	3	Washer-Lock
29	138-4329	1	Hydraulic Motor ASM	36:4	138-4328	3	Nut-Lock
29:1	139-1406	1	Seal Kit ●	37	138-0538	3	Decal-Danger
30	3253-7	2	Washer-Lock	38	125-6128	1	Decal-Warning
31	121-1524	2	Screw-HH	39	98-3206	1	Decal
32	01-201-3290	2	Fitting-Straight				

● Not illustrated  
▲ Not serviced separately

■ Optional Equipment



## Blade Carrier Assembly No. 138-4324

<i>Ref.</i>	<i>Part Number</i>	<i>Qty.</i>	<i>Description</i>
1	138-4321	1	Plate-Lower
2	138-4322	1	Plate-Middle
3	138-4323	3	Plate-Upper
4	HDW05611	6	Bolt, Carriage, 5/8-11X2-1/2 GR5 Blk Zn
5	3296-53	6	Nut-Lock, NI

**Notes:**



**Count on it.**