



Wheel Horse[®]
48" Cutting Unit

Model No. 78363-9900001 & Up

Model No. 78448-9900001 & Up

Parts Catalog

ORDERING REPLACEMENT PARTS

To order replacement parts, please supply: the part number, the quantity, and the description of each part desired.

Contents

Description	Page	Description	Page
Reinforcement Plate Assembly	1	Baffle Assembly	6
Reinforcement Plate Assembly (continued)	2	Decal Assembly	7
Spindle and Blade Assembly	3		
Deck Suspension Assembly	4		
Pulley Box Assembly	5		

Part Description Abbreviations

Part descriptions in this catalog may include the following abbreviations.

Abbreviation	Meaning	Abbreviation	Meaning
AR	as required	HWHTF	hex washer head
ASM	assembly		thread forming
CARR	carriage	INC	incorporated
DEG	degrees	LH	left hand
FH	flat head	PH	pan head
GA	gauge	PPH	Phillips pan head
HF	hex flange	PTO	power take off
HFW	hex flange washer	RH	right hand
HH	hex head	SFH	slotted fillister head
HHF	hex head flange	SH	square head
HHST	hex head self tapping	SHWH	slotted hex washer head
HJ	hex jam	SPH	slotted pan head
HOC	height-of-cut	STD	standard
HS	hex socket	TAP	self tapping
HSBH	hex socket button head	TH	truss head
HSFH	hex socket flat head	TTH	Torx truss head
HSH	hex socket head	WH	wing head
HWH	hex washer head		

Important Format Explanations

This catalog uses special formats to convey information in illustrations and parts lists. Specifically, one format is used in conjunction with service assemblies and another with quantities associated with reference numbers.

Service Assemblies

Parts within service assemblies have reference numbers in the form X:Y. X is the reference number of the service assembly and Y is a sequential number unique to each part within the service assembly.

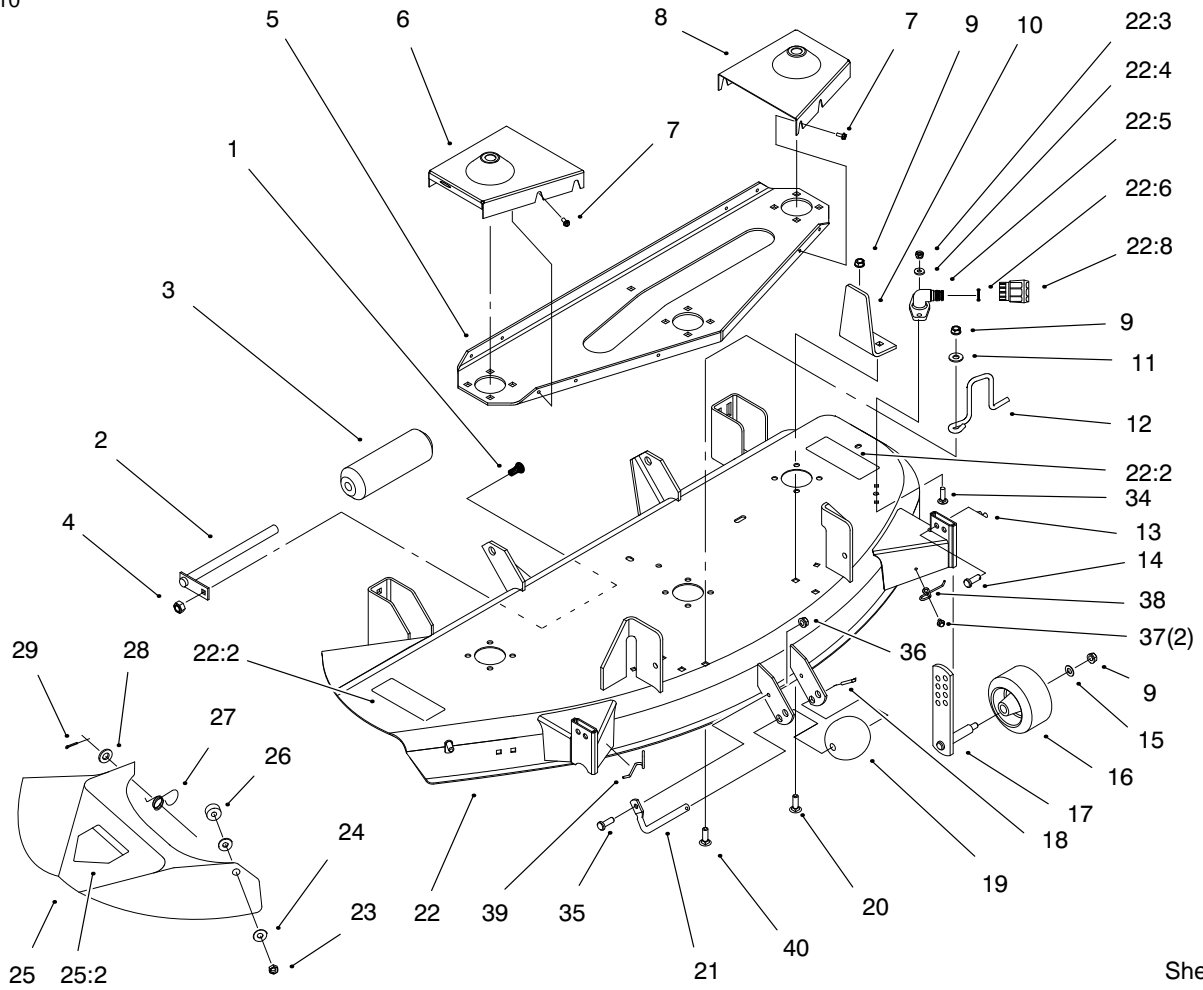
For example, a wheel assembly might be identified by reference number 6, the tire by 6:1, the valve by 6:2, and the wheel by 6:3. When you order the assembly identified by reference number 6, you receive all parts identified by reference numbers 6:1, 6:2, and 6:3. However, you may also order any part individually.

Reference numbers of this type appear in part lists and as callouts in illustrations.

Reference Numbers with Quantities

Illustrations may have a quantity in parentheses next to a reference number, in the form $X (Y)$. X is the reference number. Y in parentheses is the quantity of the part identified by the reference number.

For example, the illustration callout 4 (2) indicates that two parts are used in that instance.

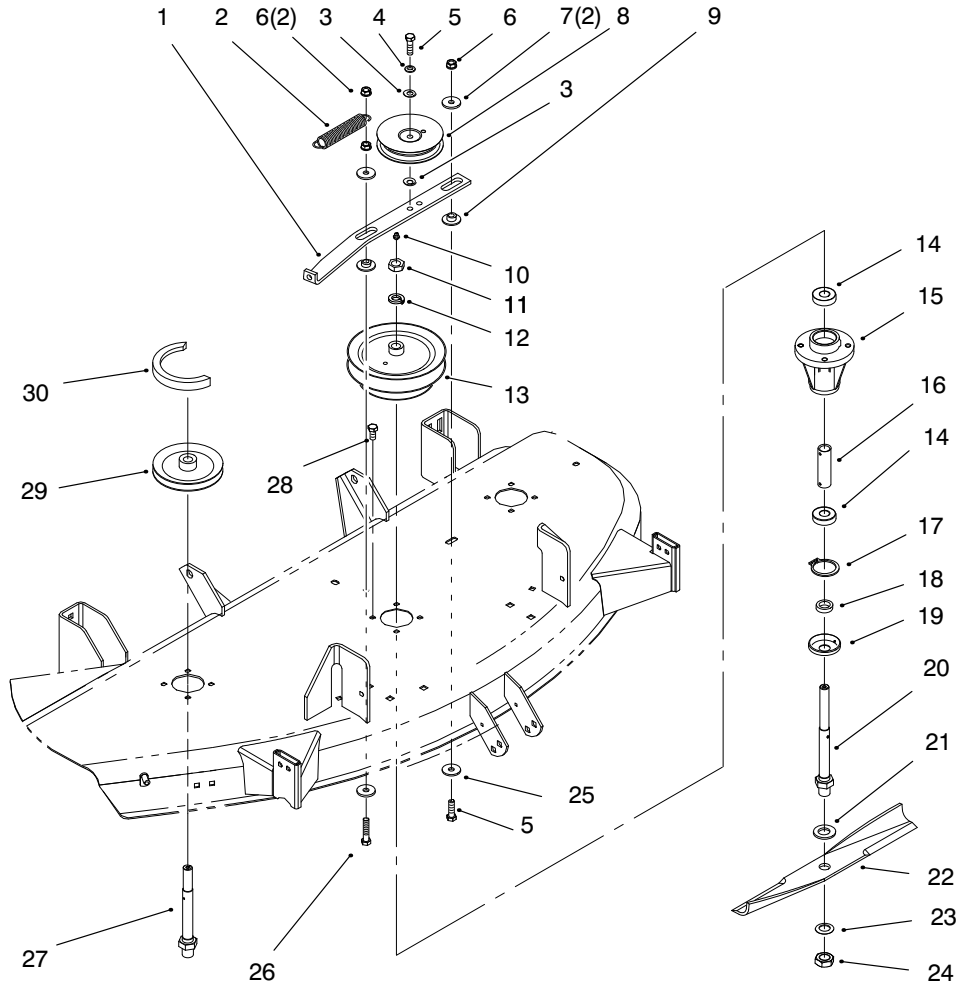


Sheet No.:2

Reinforcement Plate Assembly

Ref. No.	Part No.	Qty.	Description
1	3230-1	1	Screw-CARR
2	113603	1	Wheel-Gage
3	113349	1	Roller-Anti Scalp
4	3296-29	1	Nut-Lock Ni
5	95-3879-01	1	Plate-Reinforce
6	95-3949-01	1	Cover-Belt, RH
7	46-8560	8	Screw-Flange
8	95-3950-01	1	Cover-Belt, LH
9	3296-39	7	Nut-Lock Ni
10	94-7642-01	2	Bracket-Guide
11	3256-41	1	Washer-Flat
12	95-3953	1	Guide - Belt
13	9335054	2	Pin-Hair Cotter
14	283-2	2	Pin-Clevis
15	3256-24	2	Washer-Flat
16	68-2730	2	Wheel-Gage
17	68-2350	2	Wheel-Gage
18	3272-21	1	Pin-Cotter
19	29-4820	1	Roller
20	3231-25	4	Screw-CARR
21	118960-03	1	Shaft-Roller
22	99-8082	1	Deck ASM (Only On: 78363)
22	98-5091	1	Deck ASM (Only On: 78448)

Ref. No.	Part No.	Qty.	Description
22:2	92-7108	2	Decal - Danger (Only On: 78363)
22:2	93-7317	2	Decal - Danger (Only On: 78448)
22:3	3296-16	2	Nut-Lock Ni (Only On: 78363)
22:4	3256-1	2	Washer-Flat (Only On: 78363)
22:5	95-2747	1	Fitting - Washout (Only On: 78363)
22:6	46-6290	1	O-Ring (Only On: 78363)
22:7	3229-1	2	Screw-CARR (Only On: 78363)
22:8	95-3270	1	Connector-Hose (Only On: 78363)
23	9152366	1	Nut-Jam, Hexagon
24	93-1633	2	Washer - Black Nylon
25	99-3708	1	Chute ASM (Only On: 78363)
25	99-3707	1	Chute ASM (Intl-Service 42"/48") (Only On: 78448)
25:2	93-7316	1	Decal - Danger (Only On: 78448)

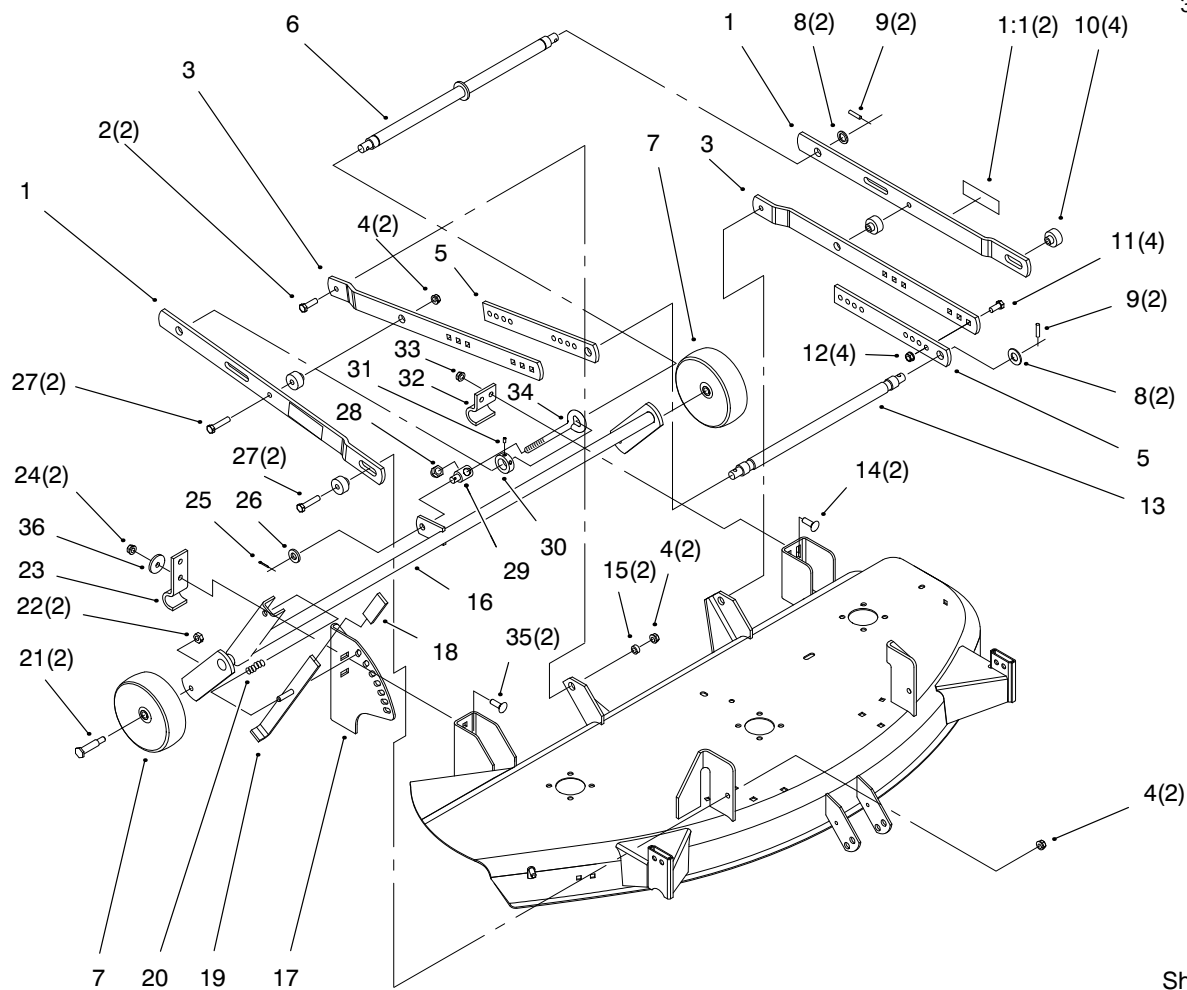


Sheet No.:3

Spindle and Blade Assembly

Ref. No.	Part No.	Qty.	Description
1	95-3876	1	Bar - Idler Support
2	100071	1	Spring-Extension
3	3256-24	2	Washer-Flat
4	3253-21	1	Washer-Lock/Sp
5	323-7	2	Screw-HH
6	3296-39	3	Nut-Lock Ni
7	107675	2	Washer
8	93-1622	1	Pulley-Idler
9	107674	2	Spacer-Bushing
10	302-5	3	Fitting-Lube
11	3220-6	3	Nut-Jam
12	3253-8	3	Washer-Lock/Sp
13	95-3958	1	Pulley - Double 48"
14	109966	6	Bearing-Ball
15	114568	3	Housing-Spindle
16	116085	3	Tube
17	32120-42	3	Snap Ring-Int
18	106068	3	Spacer-Blade
19	106067	3	Cup-Spindle
20	78-6710	1	Shaft-Spindle
21	3256-28	3	Washer-Flat
22	106078	3	Blade 16in
23	9202574	3	Washer
24	3220-7	3	Nut-Jam
25	52-2861	2	Washer
26	323-9	1	Screw-HH

Ref. No.	Part No.	Qty.	Description
27	112674	2	Shaft-Spindle
28	9080326	12	Screw-HH
29	110146	2	Pulley Blade Drive
30	95-3878	1	Belt - V 48 Deck

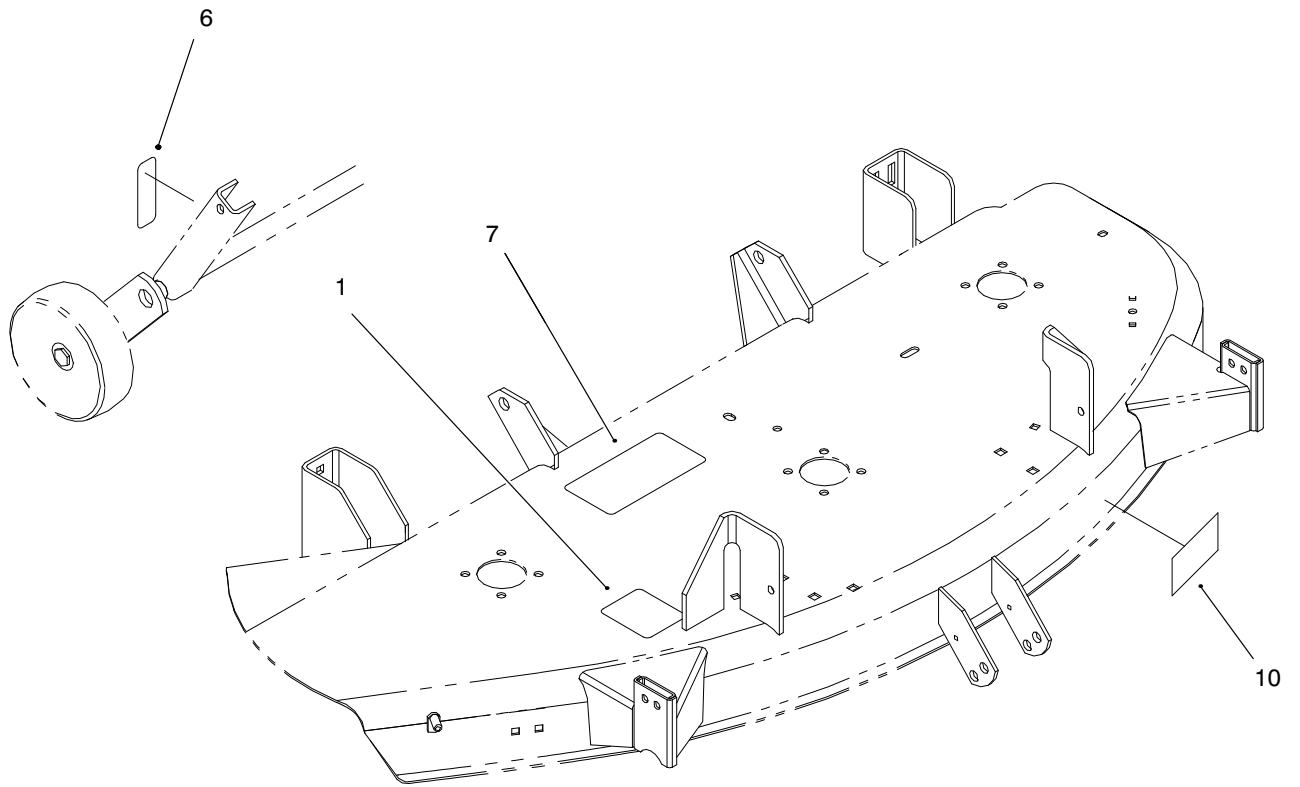


Sheet No.:4

Deck Suspension Assembly

Ref. No.	Part No.	Qty.	Description
1	98-5044	1	RH Leveler ASM (Only On: 78448)
1	98-5042	1	LH Leveler ASM (Only On: 78448)
1	98-5043	1	RH Leveler ASM (Only On: 78363)
1	98-5041	1	LH Leveler ASM (Only On: 78363)
1:1	93-9367	2	Decal - Warning (Only On: 78448)
1:2	98-3478	2	Decal - Warning (Only On: 78363)
2	323-7	2	Screw-HH
3	94-7801-01	2	Draftbar
4	102809	6	Locknut-Flange
5	94-7804-01	2	Draftbar-Adj
6	94-7943-01	1	Shaft-Leveler
7	95-4102	2	Wheel
8	3256-69	4	Washer-Flat
9	933216	4	Pin-Roll, Spirol
10	115706	4	Spacer
11	3231-38	4	Screw-CARR
12	32152-2	4	Nut-Conelock
13	94-2130-01	1	Shaft-Draftbar
14	3231-2	2	Screw-CARR
15	114127	2	Spacer

Ref. No.	Part No.	Qty.	Description
16	95-3875-01	1	Support-Wheel
17	94-7544-01	1	Quad-Deck
18	102597	1	Grip
19	94-7965-01	1	Lever-HOC
20	101853	1	Spring-Compression
21	92-1057	2	Bolt-Shoulder
22	32146-2	2	Nut-Lock Ni
23	110837-03	1	Pivot-Bracket
24	3296-39	2	Nut-Lock Ni
25	3272-12	1	Pin-Cotter
26	3256-26	1	Washer-Flat
27	323-9	4	Screw-HH
28	3296-23	1	Nut-Lock Ni
29	94-7802	1	Trunnion
30	94-7953	1	Collar
31	3245-2	2	Screw-Set, HSH
32	94-7543-03	1	Clamp
33	32128-40	2	Nut-Flange
34	94-7954	1	Rod-Level Adjustment
35	3231-4	2	Screw-CARR
36	98-3479	1	Washer-Support, Pivot Bracket



Sheet No.:7

Decal Assembly

Ref. No.	Part No.	Qty.	Description
1	98-3481	1	Decal – PTO Belt Routing
6	111655	1	Decal–Height Of Cut (Only On: 78363)
7	98-3480	1	Decal – Belt Routing
10	93-7282	1	Decal–wheel Adjustment

Ref. No.	Part No.	Qty.	Description

