



Liquid Propane Gas Kit for Workman[®] Vehicles

Model No. 07310—80001 and Up

Parts Catalog

Ordering Replacement Parts

To order replacement parts, please supply: the part number, the quantity, and the description of each part desired.

Understanding Reference Numbers

Each identified part in an illustration has a reference number. The reference number for a part also appears in the parts list, along with other information about the part.

This catalog uses two special reference number formats, one to indicate parts in a service assembly and another to indicate the quantity of a given part in an illustration.

Service Assembly Reference Numbers

Parts in service assemblies have reference numbers in the form **a:b**. The **a** represents the reference number of the entire service assembly and the **b** represents a sequential number unique to each part within the service assembly.

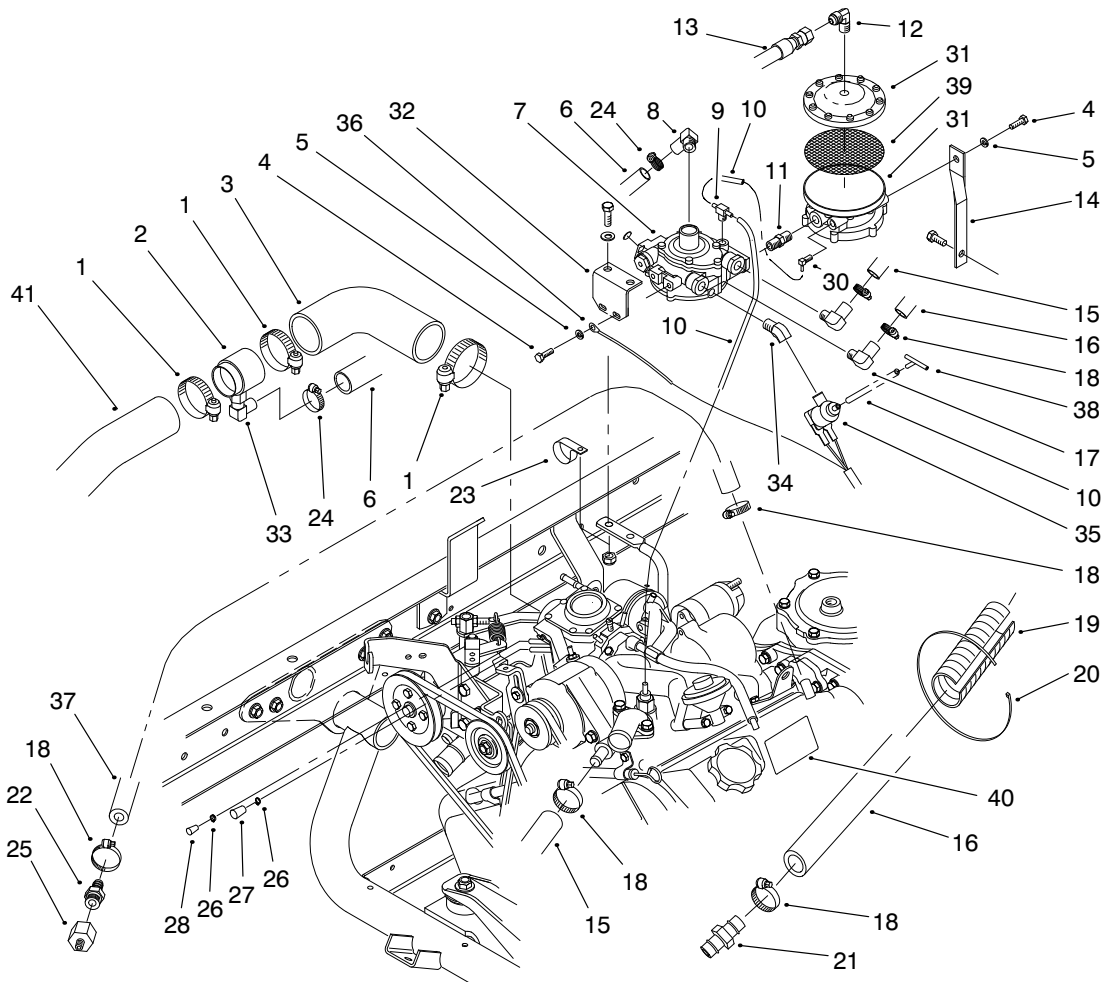
For example, a wheel assembly might be identified by reference number **6**, the tire by **6:1**, the valve by **6:2**, and the wheel by **6:3**. When you order the assembly identified by reference number **6**, you receive all parts identified by reference numbers **6:1**, **6:2**, and **6:3**. However, you may also order any part individually.

Reference numbers of this type appear in illustrations and in part lists.

Reference Numbers Indicating Quantity

In an illustration, if a reference number indicates more than one part, the reference number has the form **nX y**. The **n** represents the quantity of the part, the **X** is the multiplication symbol, and the **y** represents the reference number.

For example, in an illustration, the reference number **2X 37** means that two of the parts identified by reference number **37** are indicated.



Sheet No.: 0
T-3072

Kit Assembly

Ref. No.	Part No.	Qty.	Description
1	2412-92	3	Clamp-Hose
2	98-2903	1	Hose-Adapter
3	99-1073	1	Elbow-2" Rubber
4	321-3	3	Screw-HH
5	3253-3	3	Washer-Lock/SP
6	99-1077	1	Hose-Vapor 5/8"
7	98-2901	1	Regulator
8	99-1068	1	Elbow-5/8"x3/8"
9	99-1071	1	Fitting-1/4"to1/4"
10	100-4450	3	Hose-Vacuum 5/32"
11	99-1070	1	Fitting-1/4"NPT Nipple
12	99-2908	1	Fitting-3/8" Flare to 1/4"
13	98-2905	1	Hose Assembly
14	98-2907	1	Strap-Support
15	99-1072	1	Hose-Heater 1/2"
16	99-1078	1	Hose-Heater 1/2"
17	99-1067	2	Elbow-1/4" NPT
18	2412-119	6	Clamp-Worm
19	99-1079	2	Tubing-Convolutd, Split
20	3290-378	1	Tie-Cable
21	98-2909	1	Mender-1/2" Hose
22	100-4447	1	Fitting-Hose Barb
23	2412-106	1	Clamp-R
24	2412-129	2	Clamp-Hose

Ref. No.	Part No.	Qty.	Description
25	100-4446	1	Adapter-Expander
26	2412-108	2	Clamp-Worm
27	98-2904	1	Cap-1/4" Vacuum
28	99-1064	1	Cap-3/16" Vacuum
30	99-1066	1	Fitting-1/8" NPT to 1/4"
31	98-2902	1	Fuelock-Vacuum Filter
32	98-2906	1	Bracket-Converter
33	99-1069	1	Fitting-5/8"x3/8" NPT
34	100-4442	1	Fitting-45 Degree Brass
35	100-4424	1	Valve-Starting,LPG
36	100-4423	1	Harness-Wire, Start Valve
37	100-4445	1	Hose-PCV
38	100-4443	1	Connector-Vacuum
39	100-4444	1	Filter-Lock Off
40	99-1102	1	Decal-Engine Label
41	100-4422	1	Hose-Air Intake, LPG

