



**Count on it.**

**Parts Catalog**

**Powervac Gas-Powered Blower**

Model No. 51988—Serial No. 318000001 and Up



# Ordering Replacement Parts

To order replacement parts, please supply the part number, the quantity, and the description of each part desired.

## Understanding Reference Numbers

Each identified part in an illustration has a reference number. The reference number for a part also appears in the parts list, along with other information about the part.

This catalog uses two special reference number formats, one to indicate parts in a service assembly and another to indicate the quantity of a given part in an illustration.

## Service Assembly Reference Numbers

Parts in service assemblies have reference numbers in the form a:b. The a represents the reference number of the entire service assembly and the b represents a sequential number unique to each part within the service assembly.

For example, a wheel assembly might be identified by reference number 6, the tire by 6:1, the valve by 6:2, and the wheel by 6:3. When you order the assembly identified by reference number 6, you receive all parts identified by reference numbers 6:1, 6:2, and 6:3. However, you may also order any part individually. Reference numbers of this type appear in illustration and in parts lists.

## Reference Numbers Indicating Quantity

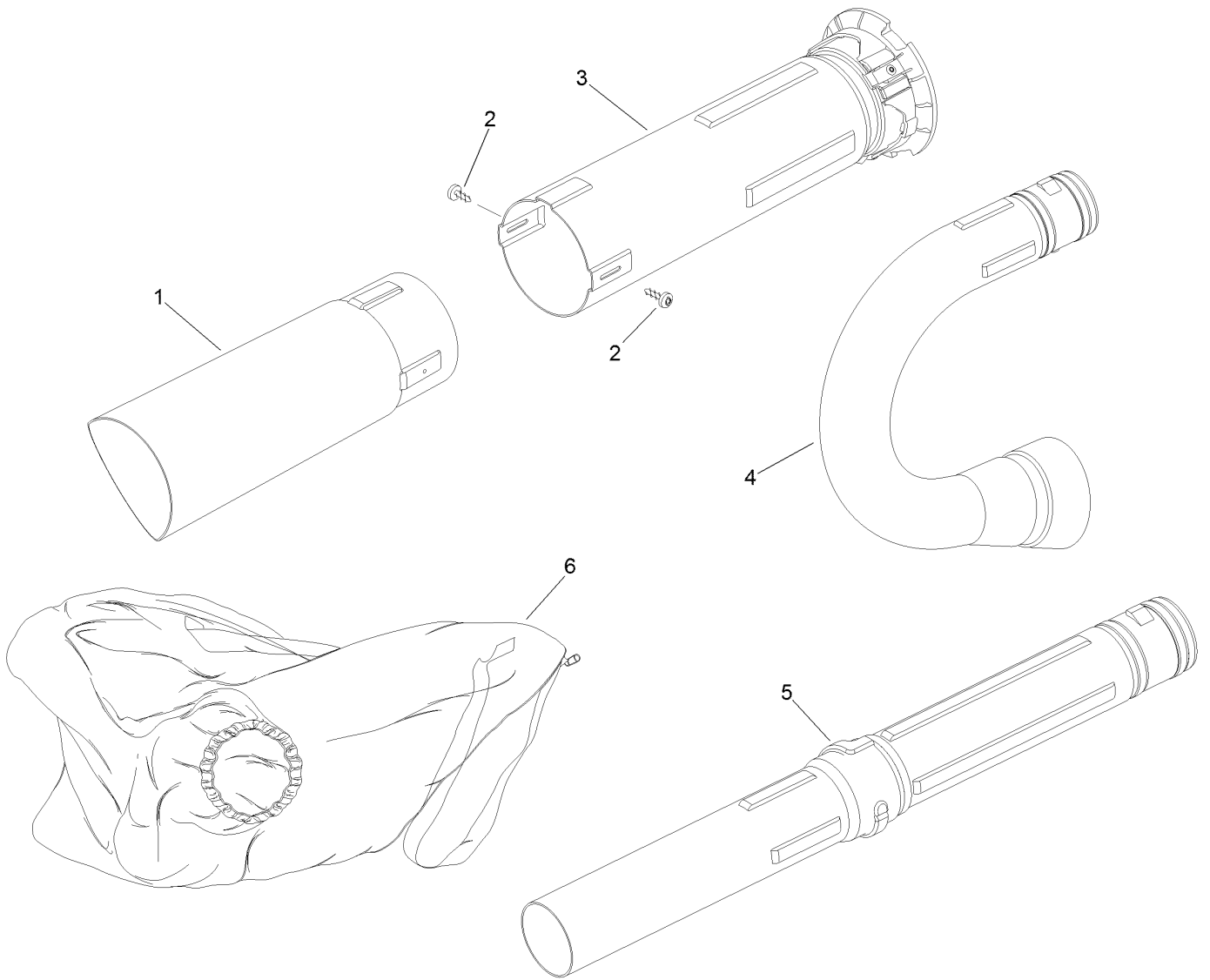
In an illustration, if a reference number indicates more than one part, the reference number has the form nX y. The n represents the quantity of the part, the X is the multiplication symbol, and the y represents the reference number.

For example, in an illustration, the reference number 2X 37 means that two of the parts identified by reference number 37 are indicated.

# Contents

- Main Blower Assembly ..... 4
- Engine and Housing Assembly ..... 6
- Engine Component Assembly ..... 8
- Attachments and Accessories ..... 10

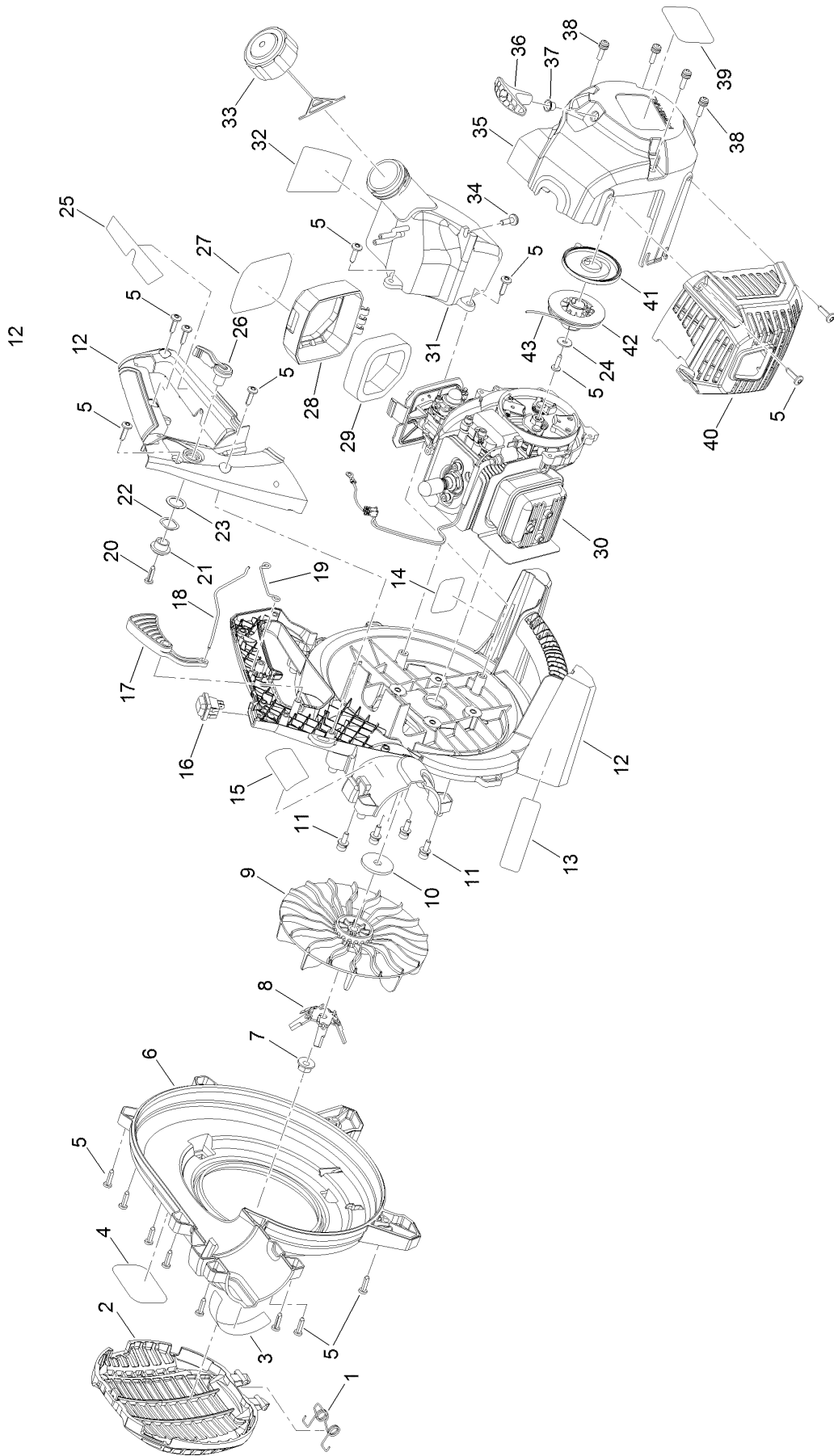
# Main Blower Assembly



## Main Blower Assembly (continued)

<i>Ref.</i>	<i>Part Number</i>	<i>Qty.</i>	<i>Description</i>	<i>Ref.</i>	<i>Part Number</i>	<i>Qty.</i>	<i>Description</i>
1	580955001	1	Tube-Vacuum, Lower	4	580956001	1	Tube-Adaptor, Vacuum Bag
2	660621001	2	Screw-Tube, Vacuum	5	360015001	1	Blower Tube ASM
3	311954001	1	Tube-Vacuum, Upper	6	970694003	1	Bag-Vacuum

# Engine and Housing Assembly

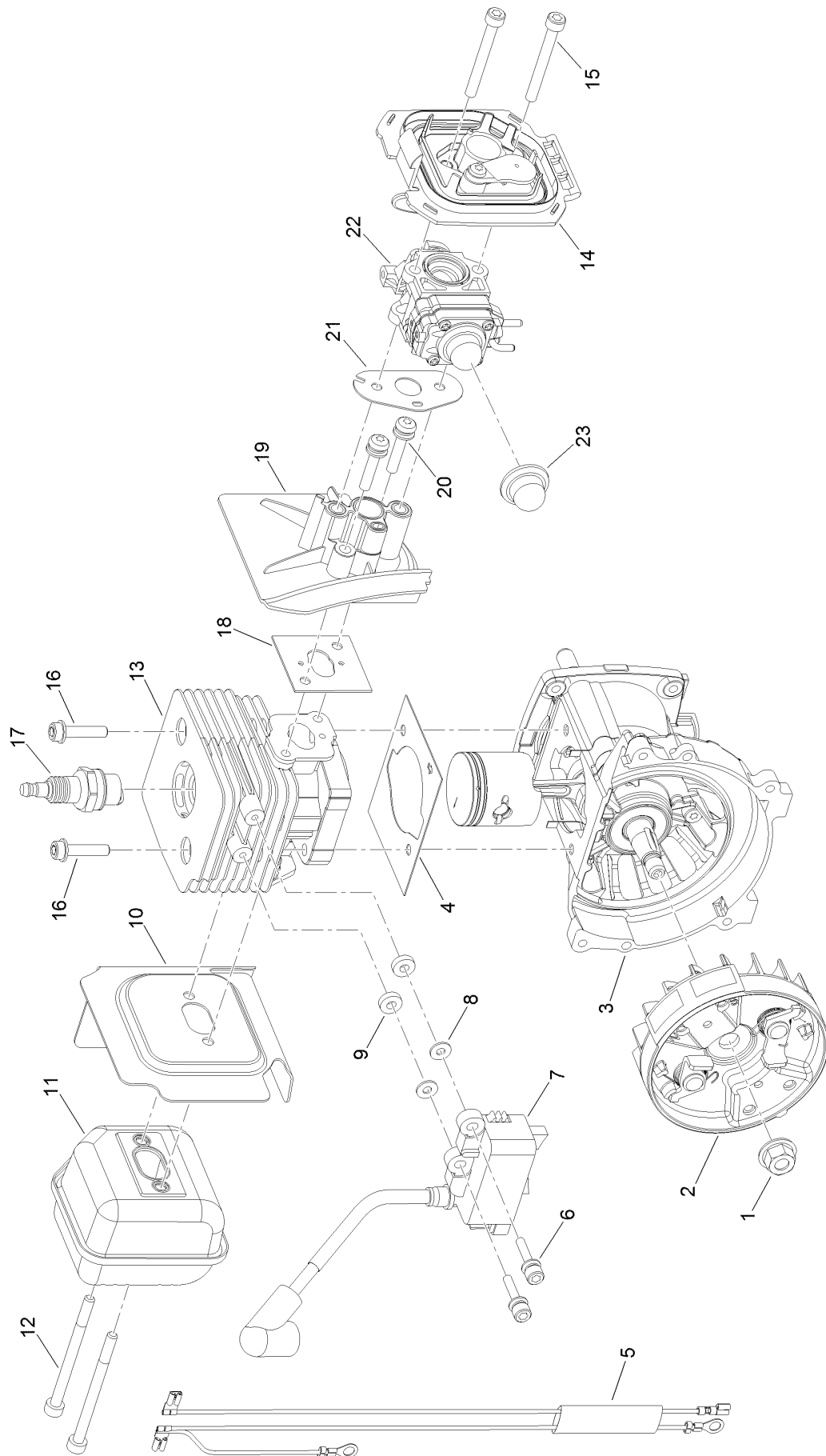


## Engine and Housing Assembly (continued)

<i>Ref.</i>	<i>Part Number</i>	<i>Qty.</i>	<i>Description</i>	<i>Ref.</i>	<i>Part Number</i>	<i>Qty.</i>	<i>Description</i>
1	694143002	1	Hinge-Spring, Vacuum Door	25	941727005	1	Decal-Warning Strip Icon
2	527987001	1	Door-Vacuum	26	527985001	1	Lever-Control, Cruise
3	941727006	1	Decal-Warning Icon	27	940908003	1	Decal-Starting Instructions
4	940907028	1	Decal-Logo, Right	28	203385001	1	Air Box Cover ASM
5	660629005	17	Screw	29	560873001	1	Element-Filter, Air
6	203383001	1	Outer Volute ASM	30		1	Power Head ASM Not Serviced Separately, For Replacement Parts See Engine Component Assembly ●
7	678018001	1	Nut-Lock, Flange	31	203381001	1	Fuel Tank ASM
8	678114004	1	Blade-Mulching	32	940991054	1	Decal-E85
9	527982001	1	Fan-Blower	33	310816015	1	Cap-Fuel
10	638125008	1	Washer	34	662274001	1	Screw
11	660351001	4	Screw-PH	35	310000001	1	Starter Housing ASM
12	203657001	1	Engine Shroud ASM	36	525485008	1	Grip-Starter
13	940654088	1	Label-Combustion	37	638088002	1	Eyelet
14	940907027	1	Decal-Rear Logo	38	660344001	4	Screw-PH
15	941727009	1	Decal-Tube Removal	39	940907029	1	Decal-Logo Left
16	760961005	1	Switch-On/Off	40	527925001	1	Cover-Muffler
17	527926001	1	Lever-Throttle	41	638033001	1	Spring Housing ASM
18	308209004	1	Throttle Cable ASM	42	527983001	1	Pulley-Starter
19	290469001	1	Wire-Ground	43	900849012	1	Rope-Starter
20	660629002	1	Screw				
21	527986001	1	Trigger-Activator, Throttle				
22	632423001	1	Washer-Wave				
23	631049004	1	Washer				
24	678587001	1	Washer				

● Not serviced separately

# Engine Component Assembly





## Engine Component Assembly (continued)

<i>Ref.</i>	<i>Part Number</i>	<i>Qty.</i>	<i>Description</i>	<i>Ref.</i>	<i>Part Number</i>	<i>Qty.</i>	<i>Description</i>
1	690689001	1	Nut-Rotor	13	642368002	1	Cylinder
2	307201002	1	Flywheel ASM	14	310997003	1	Air Box Cover ASM
3	307366001	1	Crankcase/Piston ASM	15	660347003	2	Screw
4	900709007	1	Gasket	16	660342001	2	Screw-Socket Head
5	291388002	1	Harness-Wire	17	870174001	1	Sparkplug
6	660968004	2	Screw And Washer	18	562927008	1	Gasket-Cylinder
7	290178029	1	Module-Ignition	19	528049001	1	Plate-Heat Sink
8	690969001	2	Washer	20	T662210002	2	Screw
9	590462001	2	Spacer	21	900711015	1	Gasket-Carburetor
10	639243002	1	Gasket-Muffler	22	308480002	1	Carburetor ASM
11	300748042	1	Muffler ASM	23	561635002	1	Purge Bulb
12	662169001	2	Screw				

# Attachments and Accessories

## For 51988 Powervac Gas-Powered Blower

**Product Name**

**Model/Part**

High Altitude Kit ..... 120900226

**Notes:**



**Count on it.**