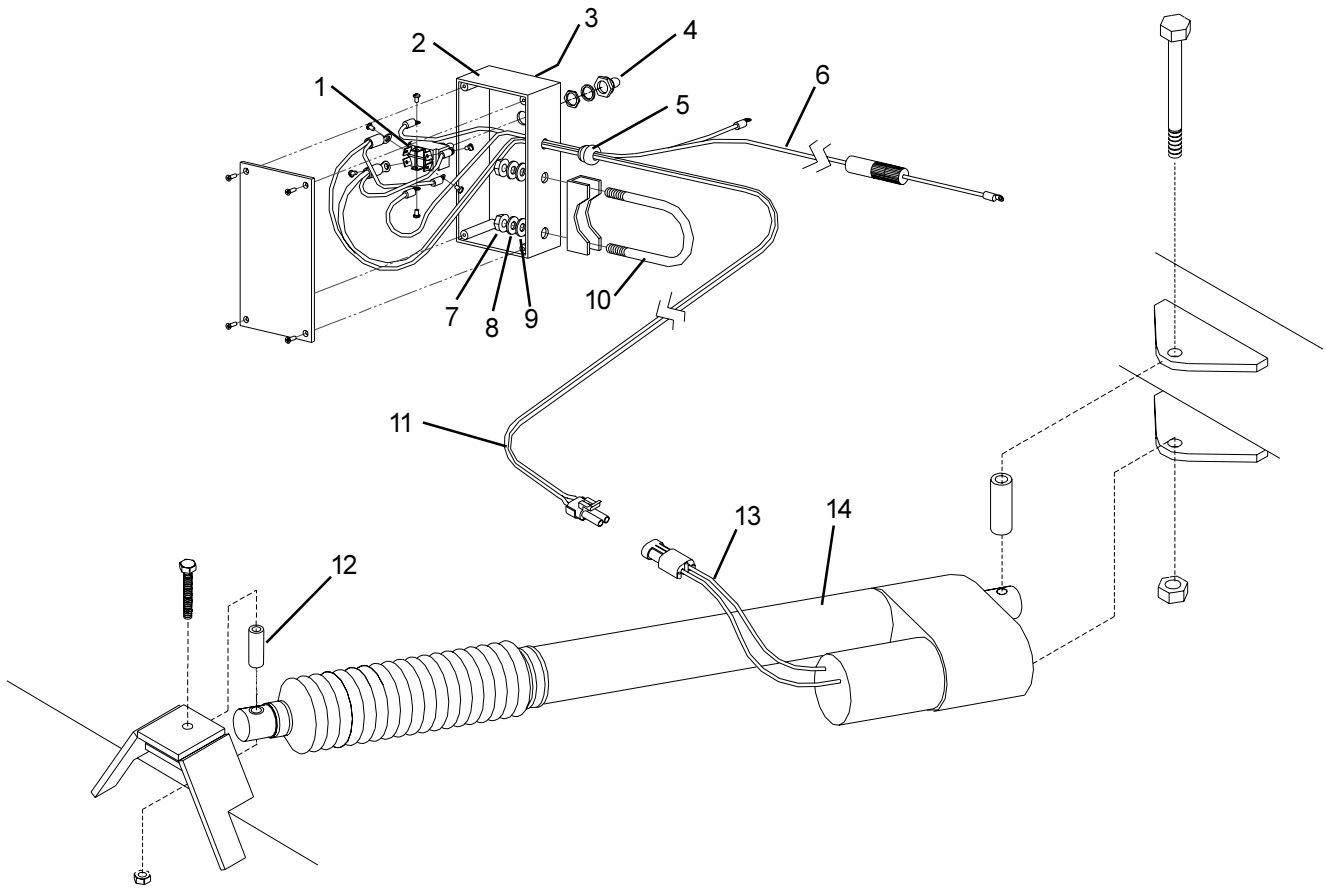




<p><b>MODEL NO. 30728</b> Units produced in 2000 and before</p>	<p><b>PARTS CATALOG</b></p>
<p><b>ELECTRIC SWIVEL OPTION FOR ROTARY HYDRAULIC BROOM (30743)</b></p>	

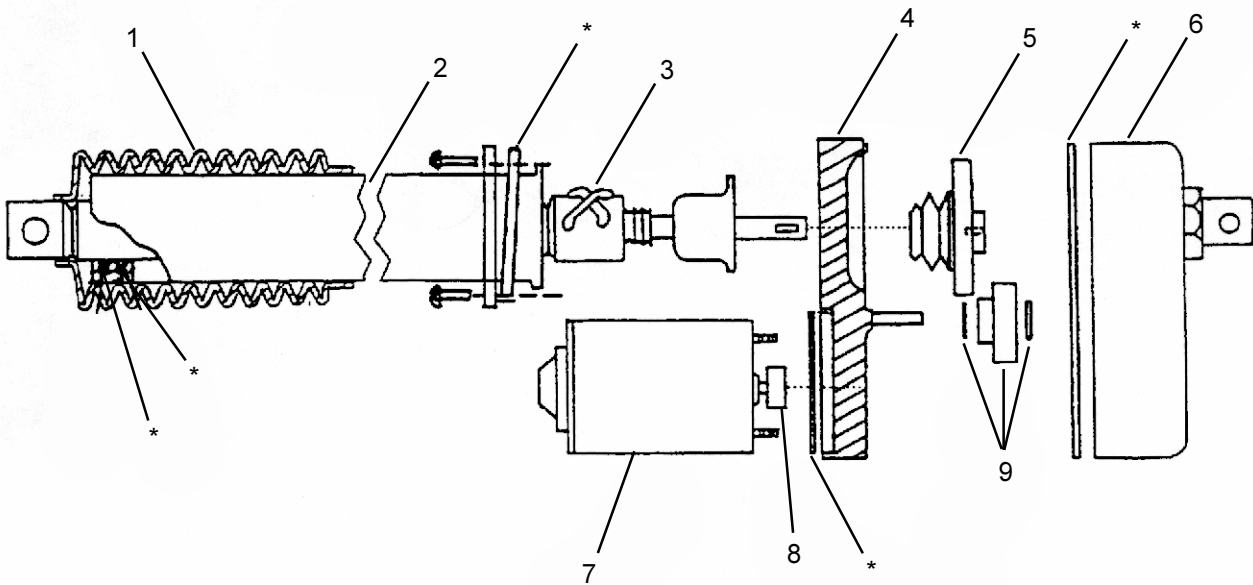


# ELECTRIC SWIVEL OPTION MODEL NO. 30728



Ref	Part No.	Description	Qty
	100-5856	Control Box Assembly (Includes Items 1-9)	1
1	30954	Switch, 6 Pole	1
2	100-5853	Enclosure - Plastic, 5 7/8" L x 3 1/8" W x 2" H Black	1
3	100-5854	Decal - Control Box	1
4	30955	Boot - Switch, 11/16"	1
5	100-5877	Connector - Strain Relief, 3/8" ID X 5/8" OD Black Plastic	1
6	100-5851	Wire Harness - Control Box / Power	1
7	3296-59	Nut - Lock, 3/8" UNC YZ	
8	3256-4	Washer - Flat, 3/8" YZ	
9	40998	Gasket	1
10	67-9520	Clamp, 3/8" UNC x 1 1/2" Round x 2 3/4"	1
11	100-5850	Wire Harness - Control Box / Actuator	1
12	99-6513	Bushing - Actuator	1
13	100-5855	Wire Harness - Actuator	1
14	100-5852	Actuator - Electric Swivel Option	1

# ACTUATOR



Ref	Part No.	Description	Qty
	100-5852	Actuator – Complete Assembly	1
1	94-8796	Boot Kit (Includes clamps)	1
2	94-8676	Cover Tube	1
3	94-8665	Drive Screw Assembly	1
4	94-8776	Front Housing	1
5	94-8777	Clutch Assembly	1
6	92-3851	Rear Housing	1
7	94-8794	Motor	1
8	42852	Motor Pinion Gear	1
9	94-8795	Intermediate Gear	1
*	42851	Sealing Kit	1



*Helping you put quality into play.®*