



**Snow Cab Kit**  
**Power Max® HD Commercial Snowthrower**  
 Model No. 139-1640

**Installation Instructions**

# Installation

## 1

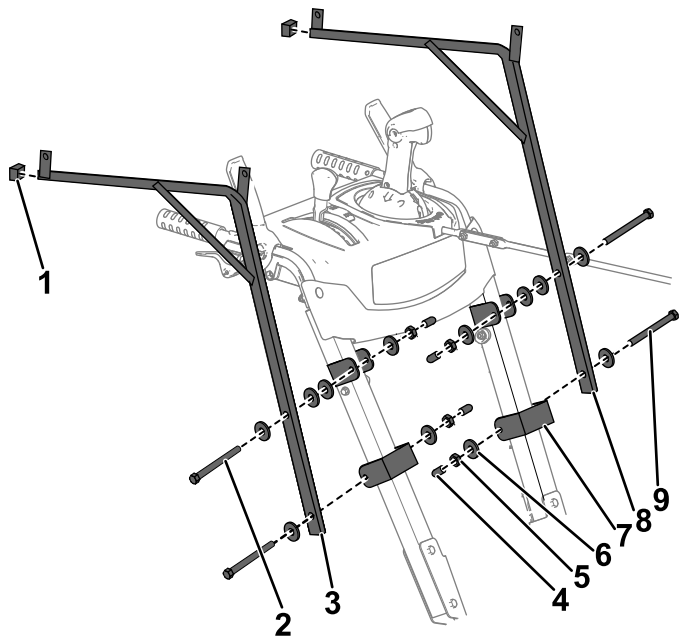
### Installing the Frame

Parts needed for this procedure:

1	Left mounting bracket
1	Right mounting bracket
2	Front post
1	Horizontal frame
1	Rear frame
1	Top frame
4	U bracket
4	Bolt (1/4 x 5/8 inch)
2	Bolt (1/4 x 3/4 inch)
2	Bolt (1/4 x 1 inch)
2	Bolt (1/4 x 4 inches)
2	Bolt (1/4 x 4-1/2 inches)
4	Large washer
12	Small washer
12	Locknut
6	Round plastic cap
2	Square plastic cap

### Procedure

1. Remove the snow-cleanout tool from the machine.
2. Install the right and left mounting brackets onto the frame as shown in [Figure 1](#).

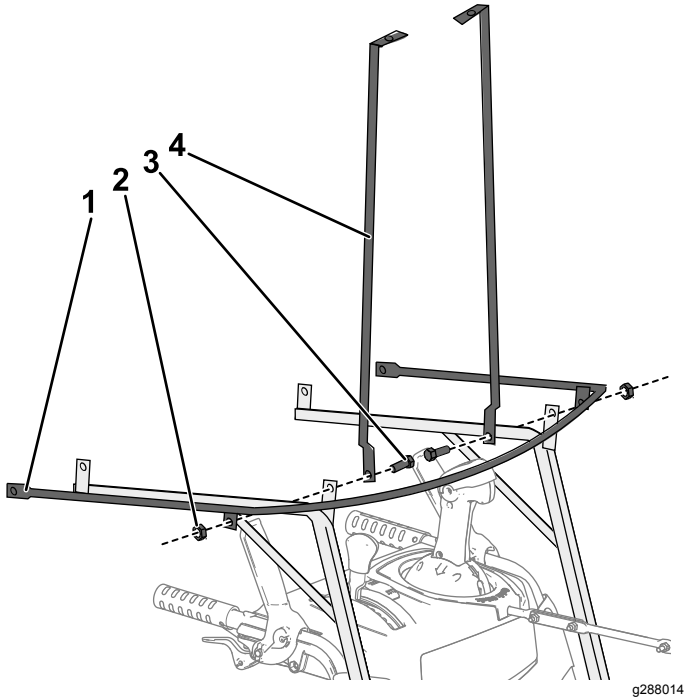


**Figure 1**

- |                                 |                             |
|---------------------------------|-----------------------------|
| 1. Square plastic cap (2)       | 6. Small washer (12)        |
| 2. Bolt, 1/4 x 4-1/2 inches (2) | 7. U-bracket (4)            |
| 3. Right mounting bracket       | 8. Left mounting bracket    |
| 4. Round plastic cap (4)        | 9. Bolt, 1/4 x 4 inches (2) |
| 5. Locknut (4)                  |                             |



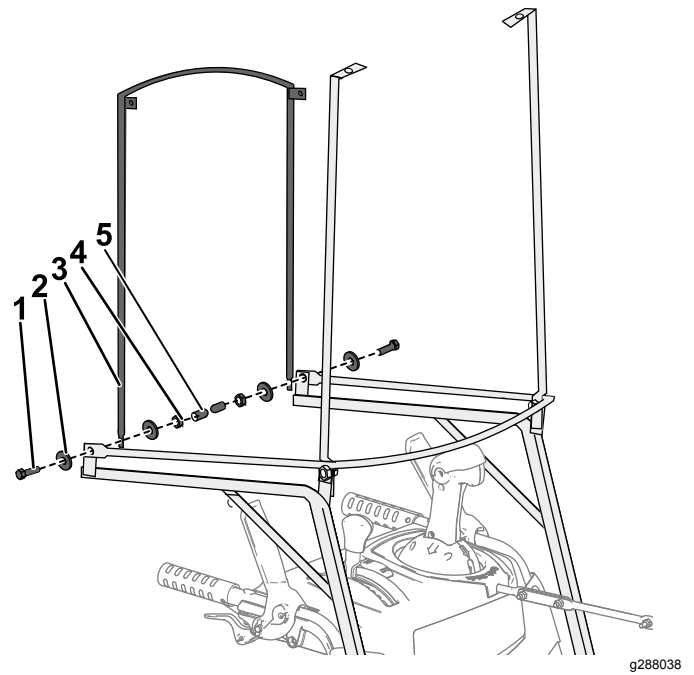
3. Install the front posts and horizontal frame onto the left and right mounting brackets as shown in [Figure 2](#).



**Figure 2**

1. Horizontal frame
2. Locknut (2)
3. Bolt, 1/4 x 3/4 inch (2)
4. Front post (2)

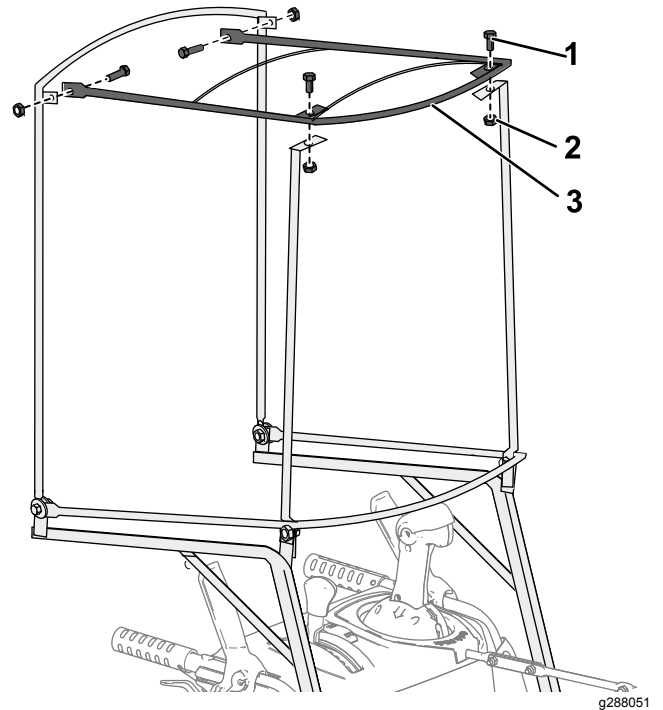
4. Install the rear frame onto the mounting brackets as shown in [Figure 3](#).



**Figure 3**

1. Bolt, 1/4 x 1 inch (2)
2. Large washer (4)
3. Rear frame
4. Locknut (2)
5. Round plastic cap (2)

5. Install the top frame onto the front posts and rear frame as shown in [Figure 4](#).



**Figure 4**

1. Bolt, 1/4 x 5/8 inch (4)
2. Locknut (4)
3. Top frame

6. Ensure that the angle between horizontal frame and the rear frame is about 100° ([Figure 5](#)).

# 2

## Installing the Cover

Parts needed for this procedure:

1	Cover
---	-------

### Procedure

Unfold and install the cover over the frame. Secure it to the frame using the Velcro® brand hook-and-loop fastener tabs.

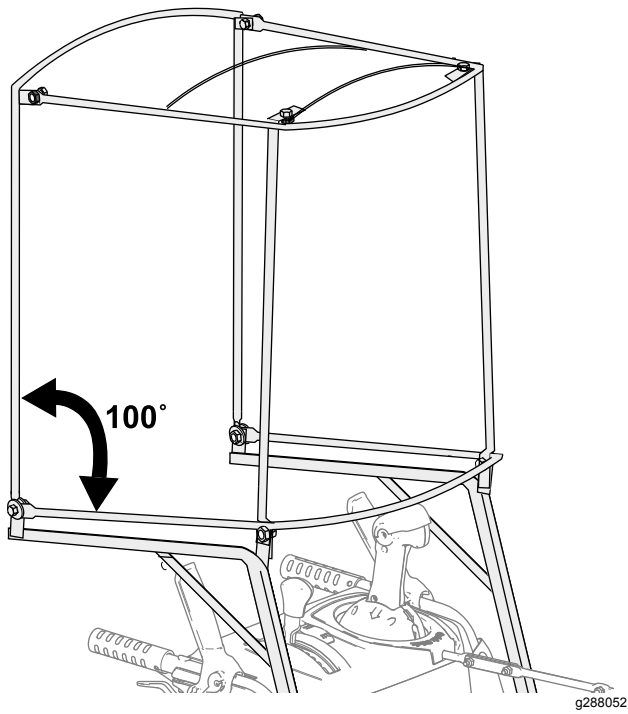


Figure 5

- 
7. Tighten all bolts.
  8. Install the snow-cleanout tool onto the machine.

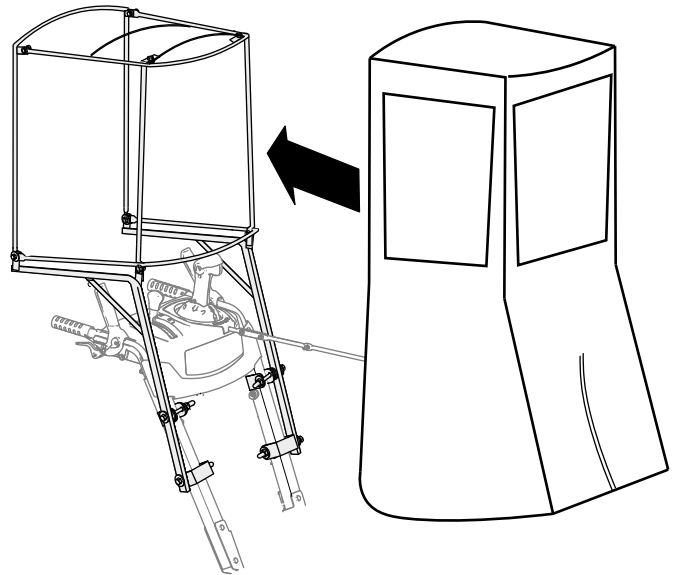


Figure 6



**Count on it.**