



# Parts Catalog

## For 16" Trimmer

Model No. 51906—9900001 and Up

Model No. 51907—9900001 and Up

## Parts Catalog

---

### Ordering Replacement Parts

To order replacement parts, please supply: the part number, the quantity, and the description of each part desired.

### Understanding Reference Numbers

Each identified part in an illustration has a reference number. The reference number for a part also appears in the parts list, along with other information about the part.

This catalog uses two special reference number formats, one to indicate parts in a service assembly and another to indicate the quantity of a given part in an illustration.

### Service Assembly Reference Numbers

Parts in service assemblies have reference numbers in the form **a:b**. The **a** represents the reference number of the entire service assembly and the **b** represents a sequential number unique to each part within the service assembly.

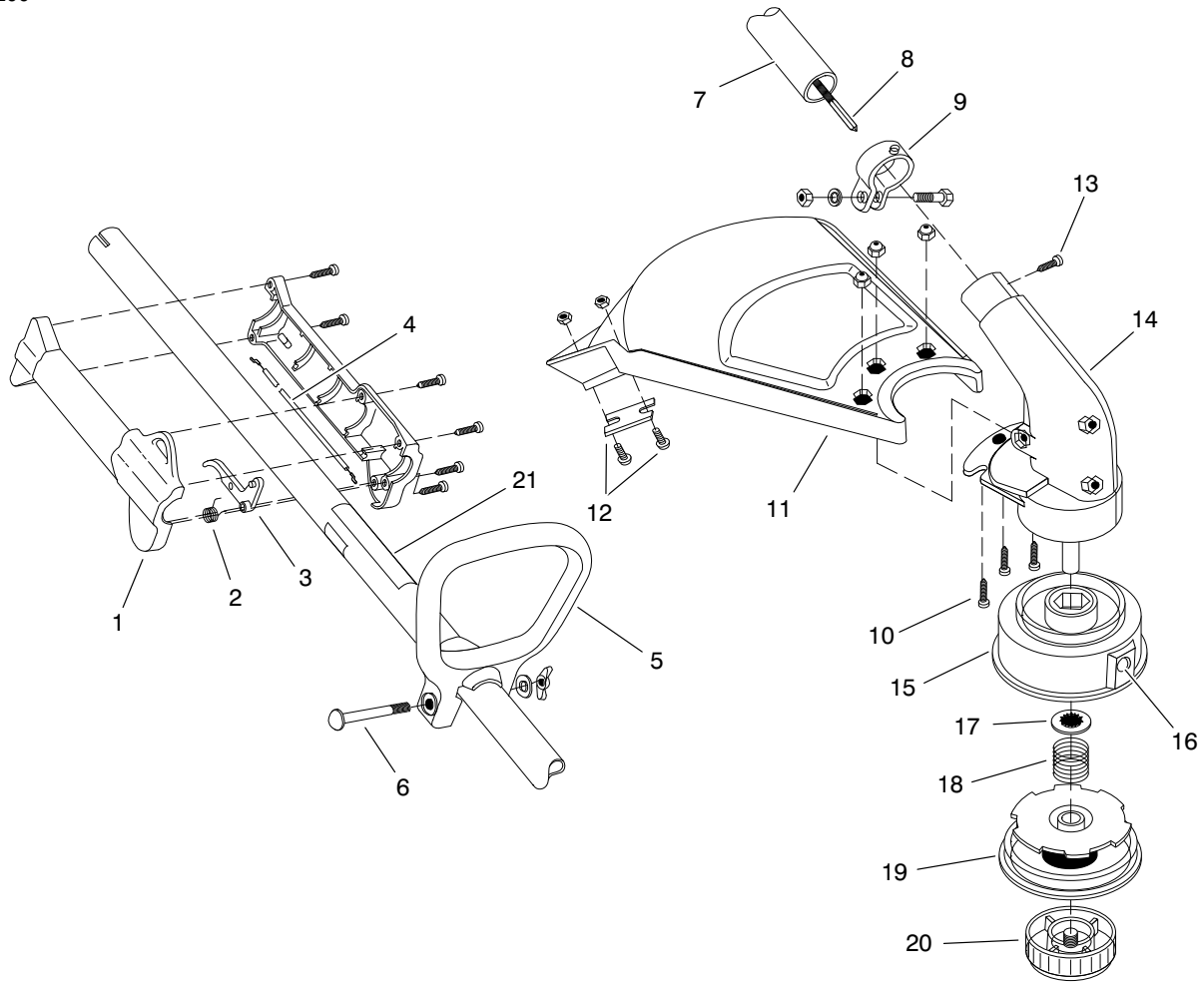
For example, a wheel assembly might be identified by reference number **6**, the tire by **6:1**, the valve by **6:2**, and the wheel by **6:3**. When you order the assembly identified by reference number **6**, you receive all parts identified by reference numbers **6:1**, **6:2**, and **6:3**. However, you may also order any part individually.

Reference numbers of this type appear in illustrations and in part lists.

### Reference Numbers Indicating Quantity

In an illustration, if a reference number indicates more than one part, the reference number has the form **nX y**. The **n** represents the quantity of the part, the **X** is the multiplication symbol, and the **y** represents the reference number.

For example, in an illustration, the reference number **2X 37** means that two of the parts identified by reference number **37** are indicated.

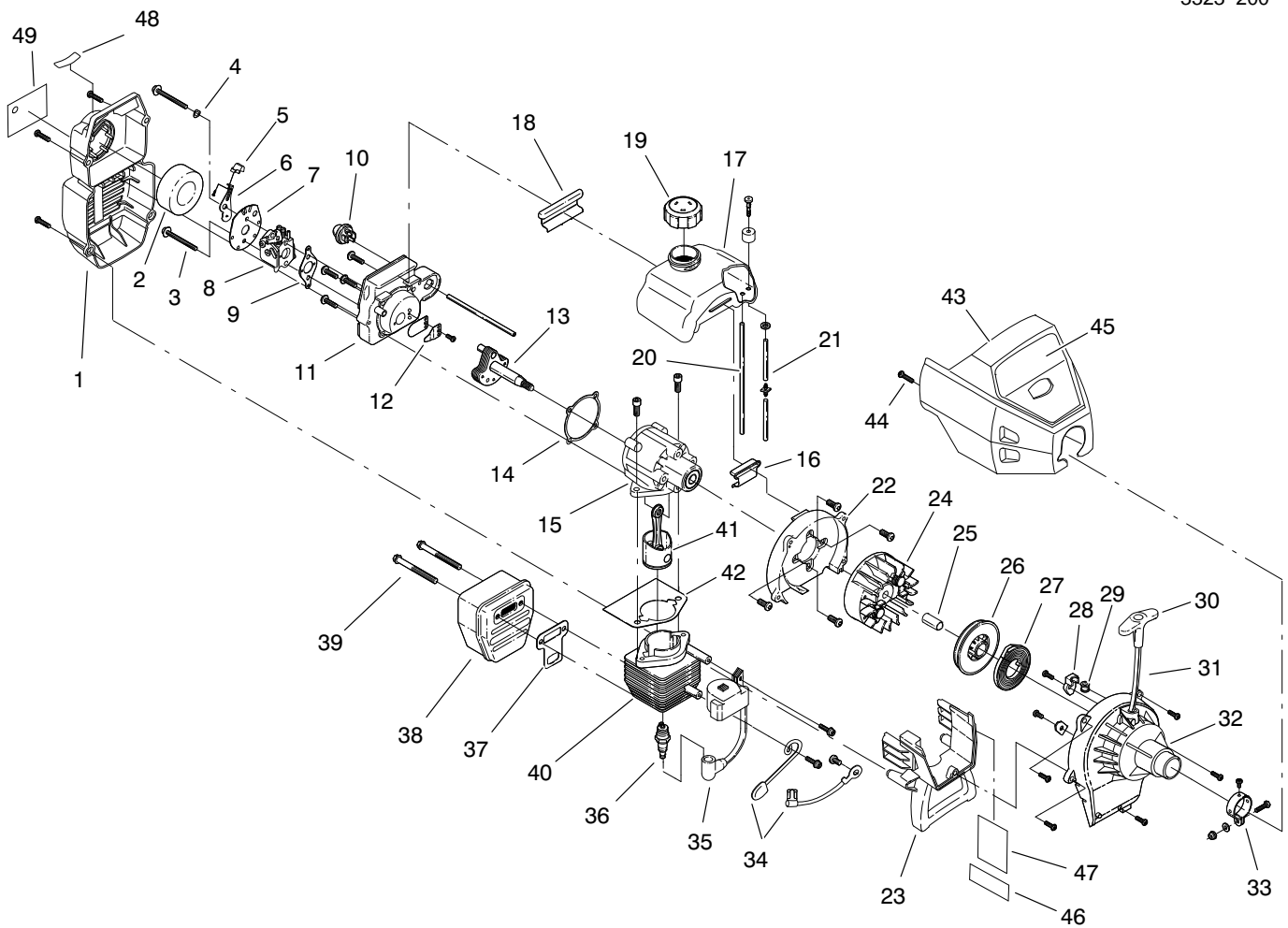


## Boom And Trimmer Assembly

Ref. No.	Part No.	Qty.	Description
1	182093	1	Throttle Housing & Trigger ASM
2	610314	1	Spring-Throttle Trigger
3	180975	1	Throttle Trigger
4	182092	1	Throttle Cable Housing ASM
5	145819	1	D-Handle
6	181587	1	D-Handle Hardware ASM
7	181507	1	Housing-Drive Shaft
8	92-3236	1	Flexible Drive Shaft
9	153597	1	Lower Clamp ASM
10	180547	3	Screw-Shield Mounting ASM
11	95-5230	1	Shield & Blade ASM
12	682061	1	Blade ASM
13	95-5765	1	Screw-Anti Rotation
14	180549	1	Gearbox ASM
15	153619	1	Outer Spool & Eyelet
16	145566	1	Eyelet
17	610660	1	Retainer
18	610317	1	Spring
19	610318	1	Inner Reel
20	153066	1	Bump Knob ASM
21	95-5297	1	Decal-Safety Symbols

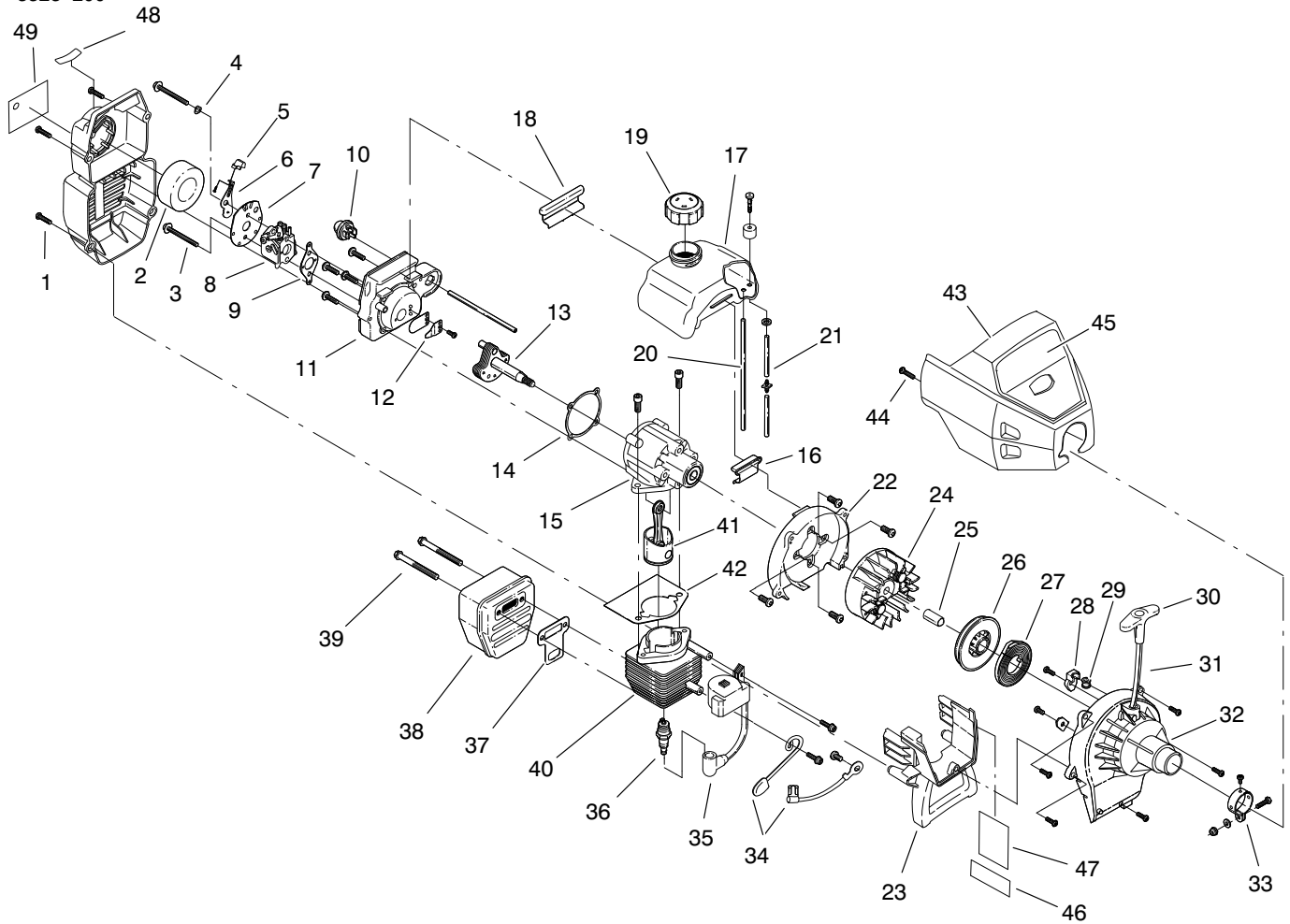
Ref. No.	Part No.	Qty.	Description
**	610375	1	Line Replacement (50 ft.)
**	88042	1	Reel/Line ASM
**	682075	1	Shoulder Harness
**	66-2090	1	Toro 2-Cycle Oil
**	93-4471	1	Safety Glasses

\*\* Not Illustrated-Optional Accessories



## Engine Assembly

Ref. No.	Part No.	Qty.	Description	Ref. No.	Part No.	Qty.	Description
1	182059	1	Cover ASM (Includes Ref #2)	21	682039	1	Fuel Line ASM
2	180350	1	Filter- Air Cleaner	22	683065	1	Shroud ASM
3	180351	2	Carburetor Mounting Screw ASM	23	182064	1	Shroud Extension
4	180226	1	Wavey Washer	24	181867	1	Flywheel ASM
5	182201	1	Choke Lever ASM (Includes Ref #6)	25	610303	1	Spacer
6	182202	1	Choke Knob & Screw	26	181597	1	Pulley-Recoil ASM
7	182203	1	Choke Lever & Plate (Includes Ref #5)	27	613102	1	Spring-Recoil
8	182062	1	Carburetor ASM	28	180930	1	Pulley-Retainer ASM
9	610675	1	Gasket-Carburetor	29	611061	1	Guide-Rope
10	683974	1	Primer & Hose ASM	30	181079	1	Pull Handle
11	182063	1	Carburetor Mount ASM	31	613103	1	Rope
12	684451	1	Reed ASM	32	181687	1	Housing-Starter ASM
13	181866	1	Power Shaft ASM	33	153597	1	Upper Clamp ASM
14	612115	1	Gasket-Carb Mount	34	153611	1	Switch ASM
15	181865	1	Crank Case ASM (Includes Ref #13)	35	181937	1	Module ASM
16	145308	1	Mounting Pad-Front	36	610311	1	Spark Plug
17	181502	1	Fuel Tank ASM (Includes Ref #19-21)	37	182065	1	Gasket-Exhaust
18	612134	1	Mounting Pad-Rear	38	182066	1	Muffler ASM
19	180000	1	Fuel Cap ASM	39	147575	2	Muffler Mounting Bolt Assembly
20	181168	1	Fuel Line-Return	40	181622	1	Cylinder ASM
				41	684449	1	Piston & Rod ASM
				42	610674	1	Gasket-Cylinder
				43	181500	1	Cover-Engine



### Engine Assembly (Continued)

Ref. No.	Part No.	Qty.	Description
44	180230	2	Screw-Engine Cover
45	95-5086	1	Decal-Toro Housing
46	95-5084	1	Decal-Warning, Hot Surface
47	95-5241	1	Decal-Carb
48	95-5242	1	Decal-Choke Position
49	95-5243	1	Decal-Fuel & Oil Mix
*	180034	1	Hardware Kit-Engine
*	180011	1	Gasket Kit-Engine
*	180602	1	Repair Kit-Carburetor (Walbro)
*	180090	1	Repair Kit-Carburetor (Zama)
*	181069	1	Repair Kit-Diaphragm Gasket (Walbro)
*	180091	1	Repair Kit-Diaphragm Gasket (Zama)
*	180530	1	Piston Ring
*	181863	1	Short Block ASM (Includes Ref # 13, 15, 36, 40-42)
*	181501	1	Screw Set-Starter Housing
*	95-5295	1	Card-Start Alert
*	95-5294	1	Tag-Caution, Oil Mix

Ref. No.	Part No.	Qty.	Description

\* Items Not Illustrated