



Count on it.

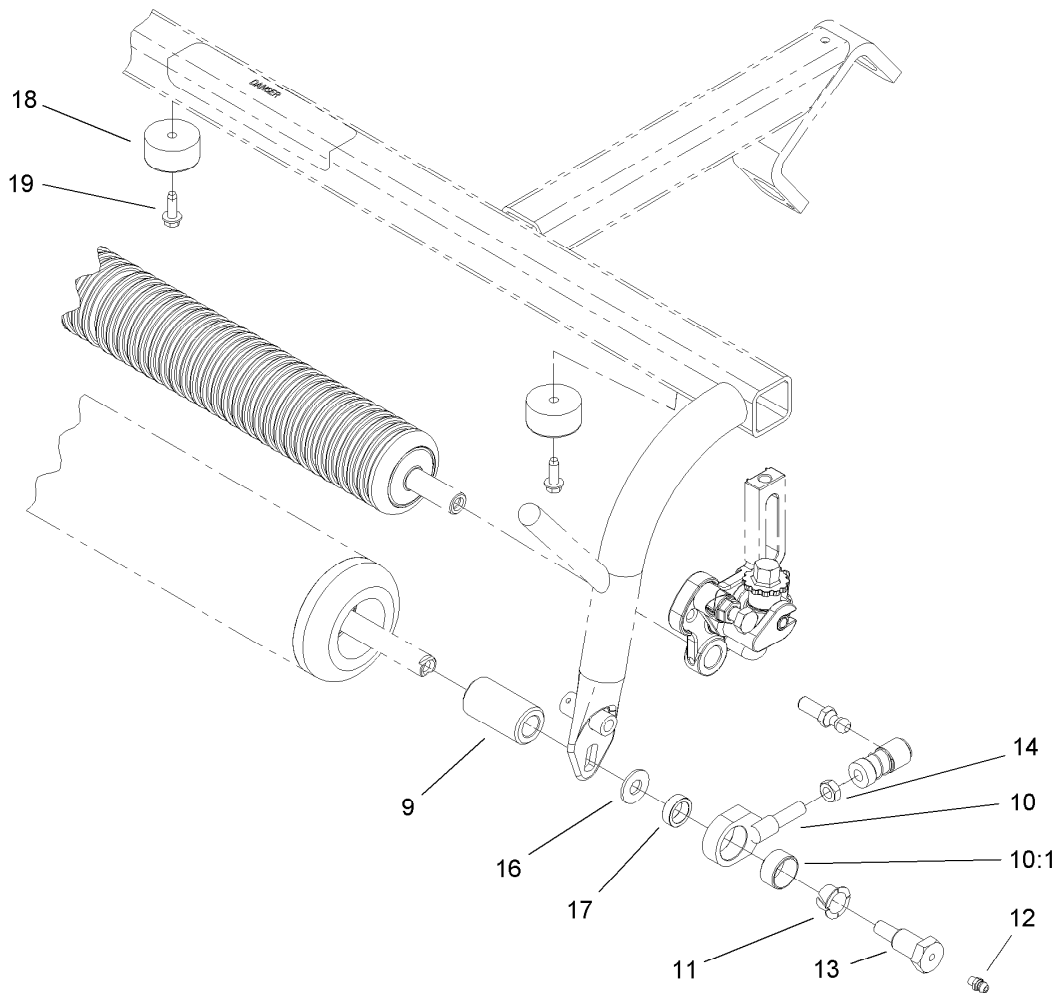
Parts Catalog

**Pull Link Kit for DPA Reel Mower
Groomer**

Greensmaster® 3150

Model No. 106-2643





Pull Link Kit Assembly No. 106-2643

<i>Ref.</i>	<i>Part Number</i>	<i>Qty.</i>	<i>Description</i>
9	88-6830	6	Spacer-Frame, Carrier
10	139-6472	6	Pull Link ASM
10:1	95-0532	1	Bushing-Rubber
11	104-7738	6	Bushing-Flange
12	302-5	6	Fitting-Grease
13	98-1483	6	Screw-Link, Pull
14	3220-3	6	Nut-HJ
16	3256-4	6	Washer-Flat
17	98-2389	6	Spacer-Link, Pull
18	94-4548	6	Bumper-Recessed
19	32144-44	6	Screw-HWH, Thread Roll