



Count on it.

Parts Catalog

55cm Recycler®

Lawn Mower

Model No. 21763—Serial No. 40000000 and Up



Ordering Replacement Parts

To order replacement parts, please supply the part number, the quantity, and the description of each part desired.

Understanding Reference Numbers

Each identified part in an illustration has a reference number. The reference number for a part also appears in the parts list, along with other information about the part.

This catalog uses two special reference number formats, one to indicate parts in a service assembly and another to indicate the quantity of a given part in an illustration.

Service Assembly Reference Numbers

Parts in service assemblies have reference numbers in the form a:b. The a represents the reference number of the entire service assembly and the b represents a sequential number unique to each part within the service assembly.

For example, a wheel assembly might be identified by reference number 6, the tire by 6:1, the valve by 6:2, and the wheel by 6:3. When you order the assembly identified by reference number 6, you receive all parts identified by reference numbers 6:1, 6:2, and 6:3. However, you may also order any part individually. Reference numbers of this type appear in illustration and in parts lists.

Reference Numbers Indicating Quantity

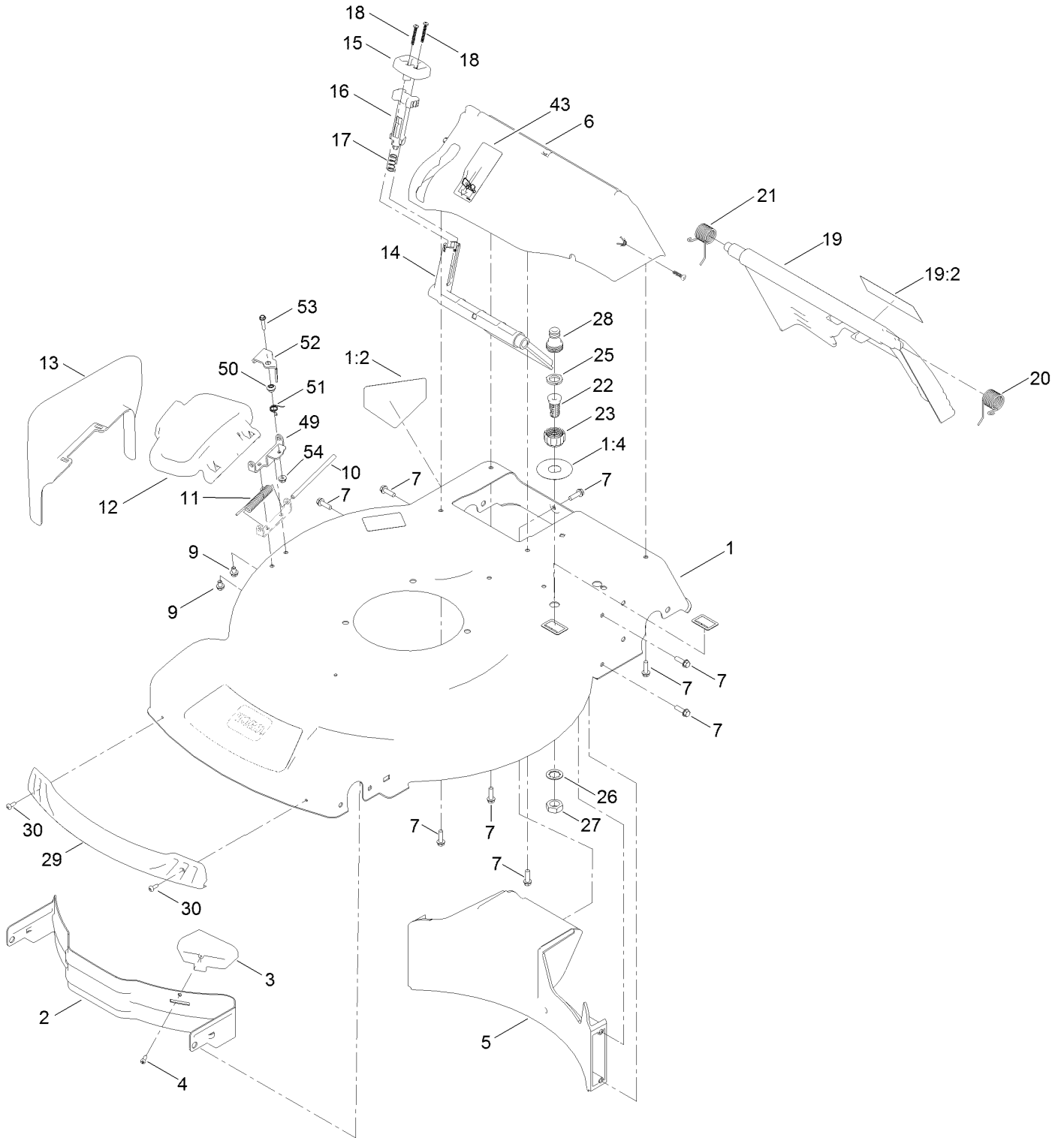
In an illustration, if a reference number indicates more than one part, the reference number has the form nX y. The n represents the quantity of the part, the X is the multiplication symbol, and the y represents the reference number.

For example, in an illustration, the reference number 2X 37 means that two of the parts identified by reference number 37 are indicated.

Contents

| | |
|--|----|
| Housing and Chute Assembly | 4 |
| Rear Bag Assembly | 6 |
| Engine and Blade Assembly | 8 |
| Front Wheel and Height-of-Cut Assembly | 10 |
| Rear Wheel and Height-of-Cut Assembly | 12 |
| Handle Assembly | 14 |
| Electrical Assembly | 16 |
| Attachments and Accessories | 18 |

Housing and Chute Assembly



Housing and Chute Assembly (continued)

| <i>Ref.</i> | <i>Part Number</i> | <i>Qty.</i> | <i>Description</i> | <i>Ref.</i> | <i>Part Number</i> | <i>Qty.</i> | <i>Description</i> |
|-------------|--------------------|-------------|---------------------------|-------------|--------------------|-------------|-----------------------------|
| 1 | 130-2390 | 1 | Housing ASM | 19:2 | 131-4514 | 1 | Decal-Warning |
| 1:2 | 112-8760 | 1 | Decal-Danger | 20 | 115-2859 | 1 | Spring-Torsion |
| 1:4 | 137-9196 | 1 | Decal-Quick Wash | 21 | 114-7924 | 1 | Spring-Torsion |
| 2 | 115-4667-01 | 1 | Baffle-Front | 22 | 112-6400 | 1 | Port-Washout |
| 3 | 115-4672 | 1 | Kicker-Front | 23 | 112-6401 | 1 | Coupling-Hose, Washout Port |
| 4 | 139-1703 | 1 | Screw-Plastic, PPH | 25 | 112-6438 | 1 | Washer-Seal, Washout Port |
| 5 | 139-8982 | 1 | Baffle-Rear | 26 | 139-1721 | 1 | Washer-Lock, Int Tooth |
| 6 | 136-5881 | 1 | Chute-Recycle | 27 | 3218-6 | 1 | Nut-Jam |
| 7 | 137-3099 | 9 | Screw-Plastite, HWH | 28 | 112-6437 | 1 | Adapter-Connect, Quick |
| 9 | 137-4795 | 2 | Screw | 29 | 114-7987 | 1 | Bumper |
| 10 | 99-5291 | 1 | Rod-Cover | 30 | 105-6849 | 2 | Screw-Forming, Thread |
| 11 | 99-5293 | 1 | Spring-Torsion | 43 | 125-5026 | 1 | Decal |
| 12 | 138-5316 | 1 | Deflector-Discharge, Side | 49 | 138-3293 | 1 | Bracket-Lockout |
| 13 | 115-8447 | 1 | Chute-Discharge, Side | 50 | 107-7463 | 1 | Spacer |
| 14 | 114-7960 | 1 | Deflector-Recycle | 51 | 107-7462 | 1 | Spring-Torsion |
| 15 | 114-7958 | 1 | Knob-Recycle | 52 | 138-3292 | 1 | Lever-Lockout |
| 16 | 114-7959 | 1 | Latch-Recycle | 53 | 106-9169 | 1 | Screw-HWH |
| 17 | 117-1031 | 1 | Spring-Compression | 54 | 139-1712 | 1 | Nut-Hex Flange |
| 18 | 32104-120 | 2 | Screw-PPH | | | | |
| 19 | 137-9139 | 1 | Rear Door ASM | | | | |

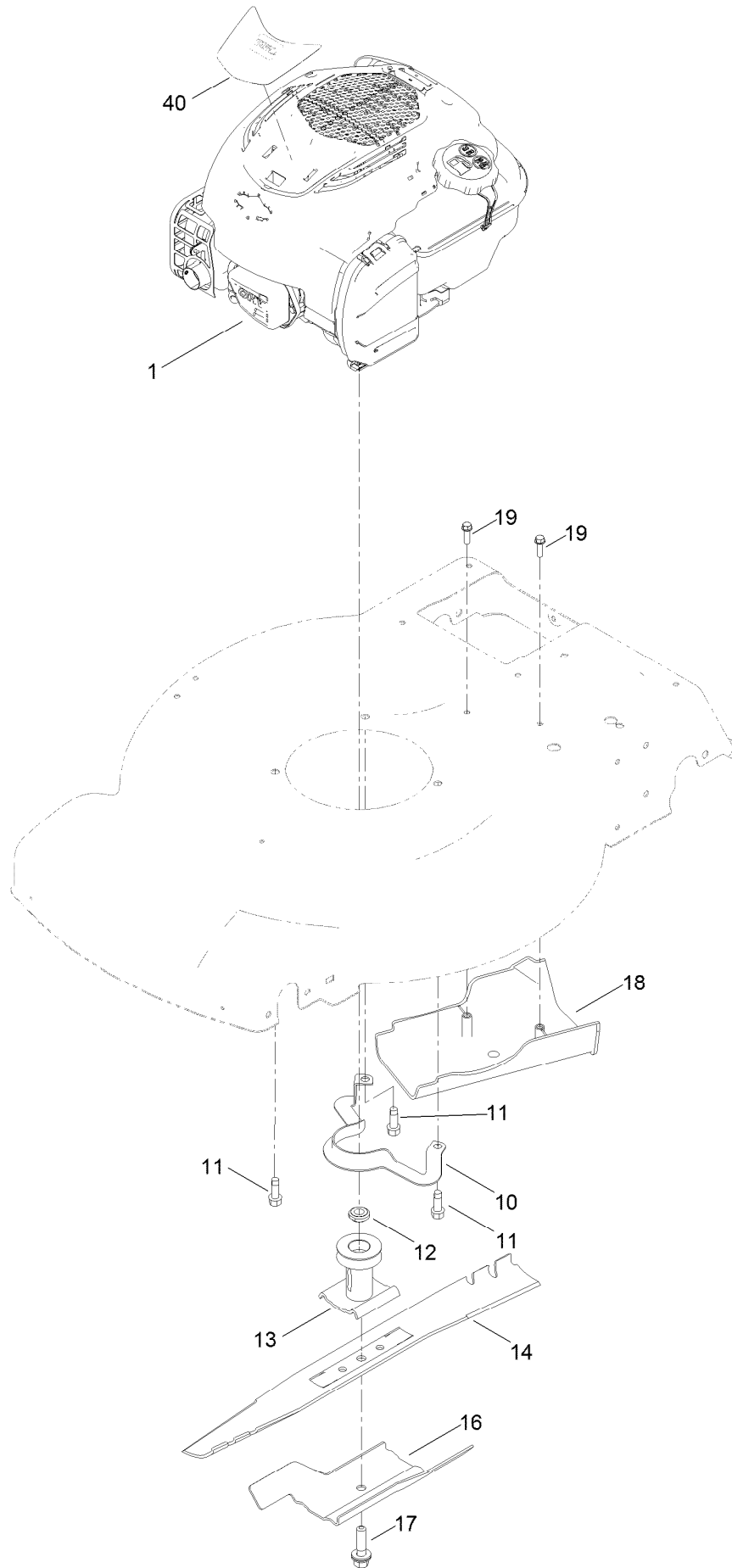
Rear Bag Assembly



Rear Bag Assembly (continued)

| <i>Ref.</i> | <i>Part Number</i> | <i>Qty.</i> | <i>Description</i> |
|-------------|--------------------|-------------|--------------------|
| 1 | 132-4529-03 | 1 | Bag Frame ASM |
| 2 | 115-4673 | 1 | Grass Bag ASM |

Engine and Blade Assembly



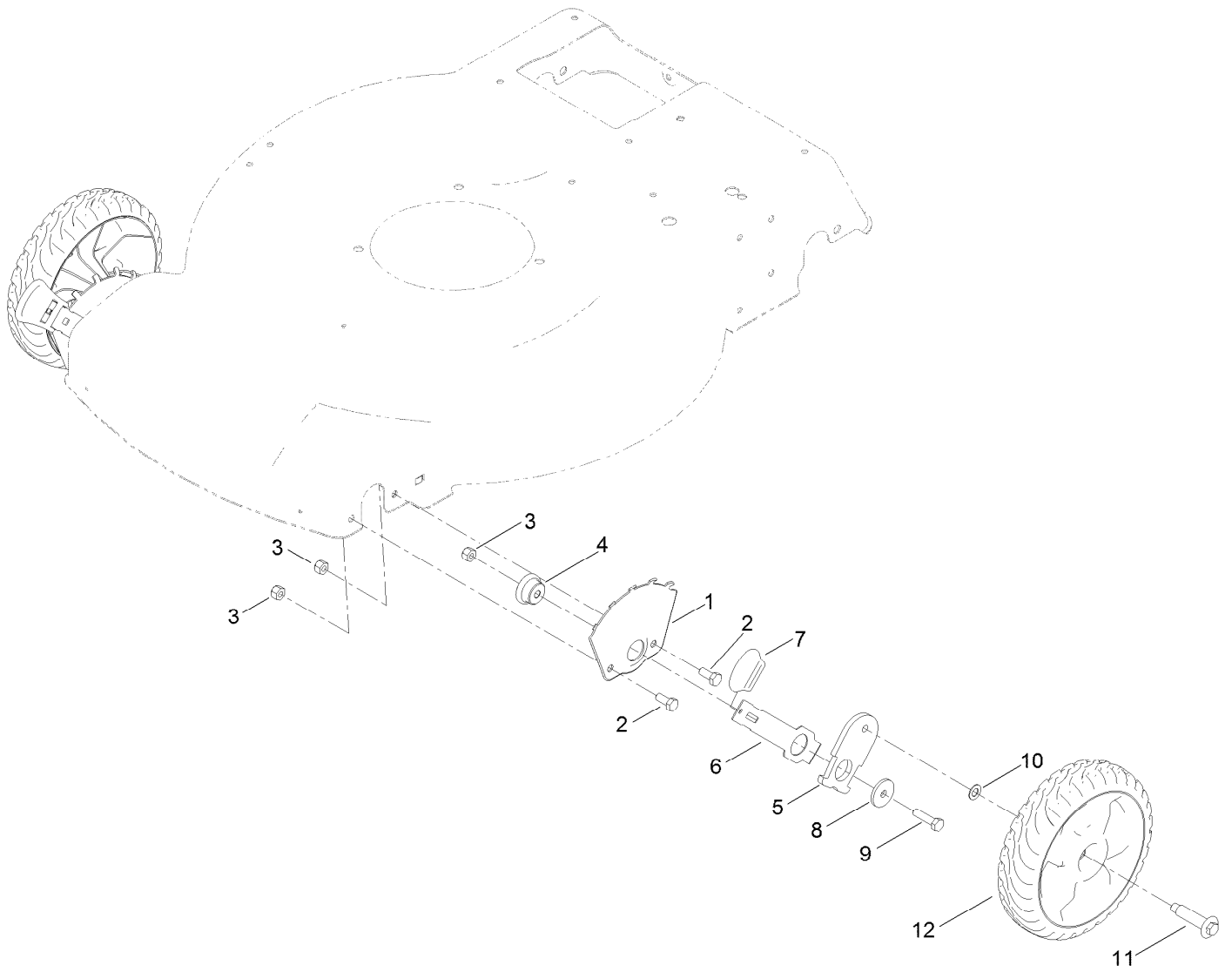
Engine and Blade Assembly (continued)

| <i>Ref.</i> | <i>Part Number</i> | <i>Qty.</i> | <i>Description</i> | <i>Ref.</i> | <i>Part Number</i> | <i>Qty.</i> | <i>Description</i> |
|-------------|--------------------|-------------|----------------------------------|-------------|--------------------|-------------|---------------------|
| 1 | | 1 | Engine-Briggs 104M050051F1 ●■ | 14 | 131-9683-03 | 1 | Blade |
| 10 | 105-3030-03 | 1 | Guide-Belt | 16 | 105-6848-03 | 1 | Accelerator-Blade |
| 11 | 95-1726 | 3 | Screw-Taptite | 17 | 125-2466 | 1 | Bolt-Blade |
| 12 | 106-3999 | 1 | Spacer-Driver | 18 | 114-7937 | 1 | Cover-Belt |
| 13 | 106-3987 | 1 | Driver-Blade | 19 | 137-3099 | 2 | Screw-Plastite, HWH |
| | | | | 40 | 132-4472 | 1 | Decal-Shroud |

● Not serviced separately

■ Obtain parts from www.briggsandstratton.com

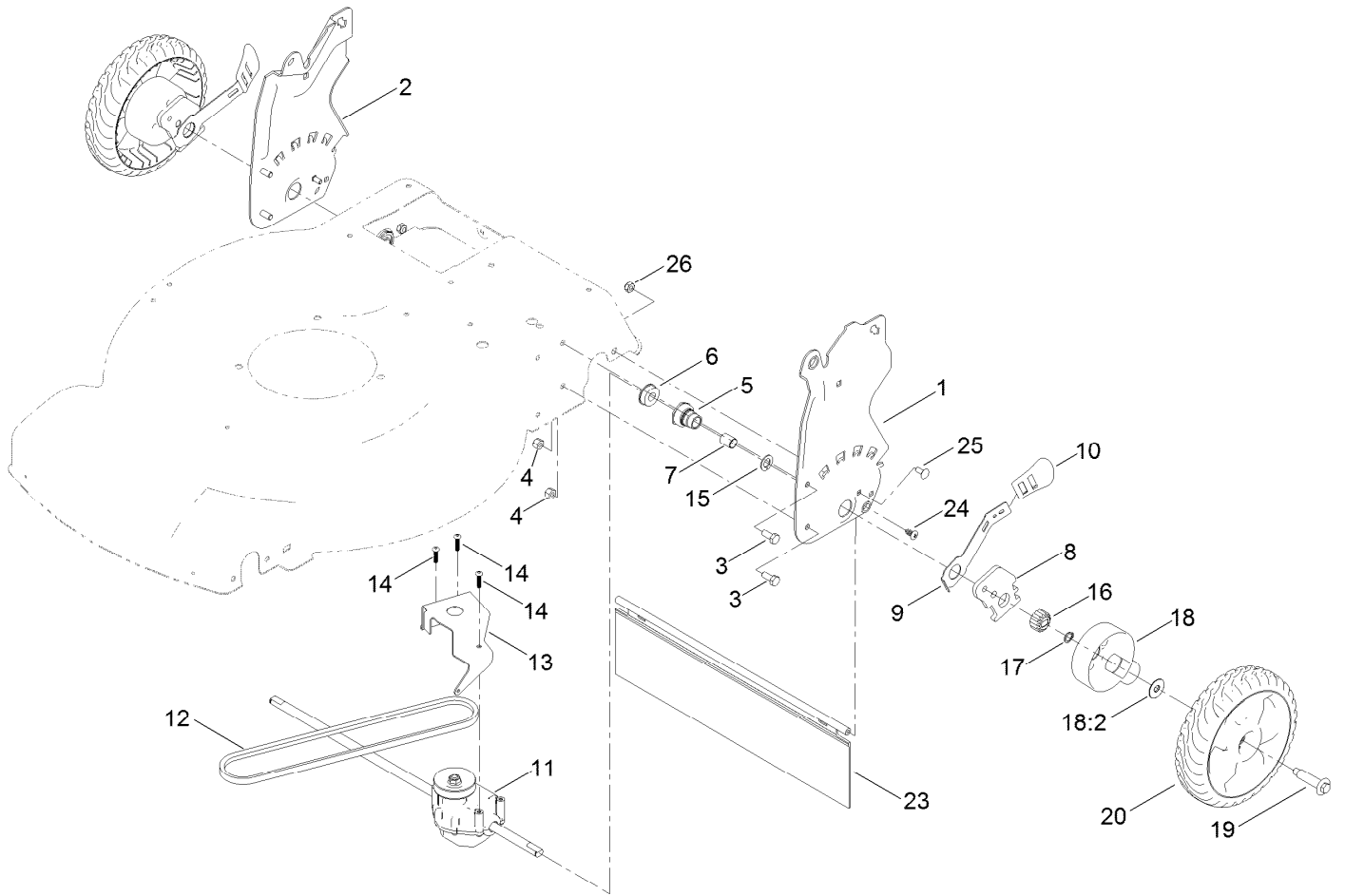
Front Wheel and Height-of-Cut Assembly



Front Wheel and Height-of-Cut Assembly (continued)

| <i>Ref.</i> | <i>Part Number</i> | <i>Qty.</i> | <i>Description</i> | <i>Ref.</i> | <i>Part Number</i> | <i>Qty.</i> | <i>Description</i> |
|-------------|--------------------|-------------|--------------------|-------------|--------------------|-------------|--------------------|
| 1 | 115-1956-03 | 2 | Plate-HOC, Front | 7 | 110-0549 | 2 | Knob-HOC |
| 2 | 137-3052 | 4 | Screw-HH | 8 | 139-1704 | 2 | Washer-Flat |
| 3 | 119-4038 | 6 | Nut-Hex | 9 | 120-9696 | 2 | Screw-HH |
| 4 | 105-1818 | 2 | Bushing-Mount, HOC | 10 | 40-1940 | 2 | Washer |
| 5 | 137-9128 | 2 | Arm-Pivot, Front | 11 | 614650 | 2 | Bolt-Shoulder |
| 6 | 105-1809 | 2 | Arm-Spring | 12 | 137-4833 | 2 | 8In Wheel ASM |

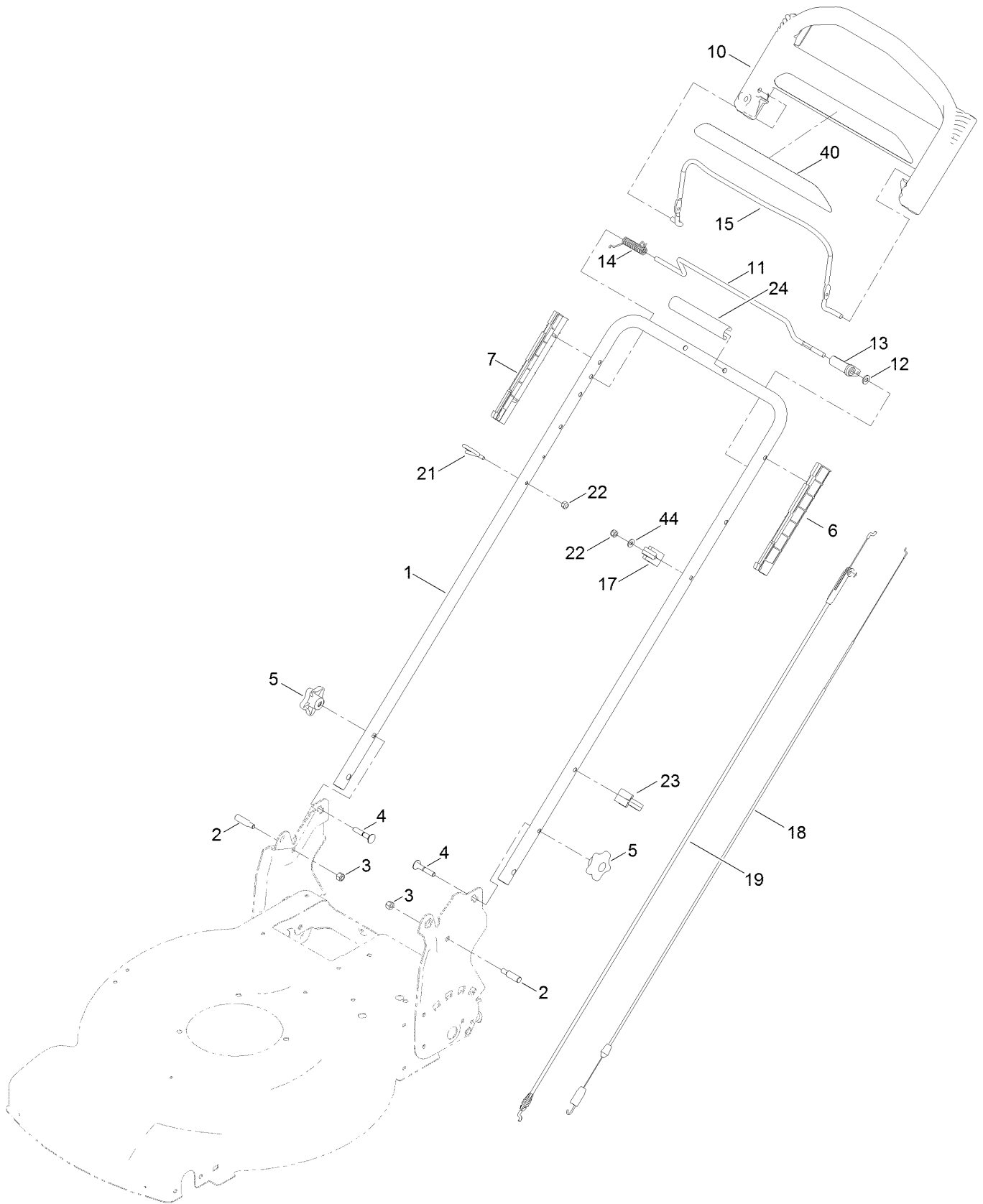
Rear Wheel and Height-of-Cut Assembly



Rear Wheel and Height-of-Cut Assembly (continued)

| <i>Ref.</i> | <i>Part Number</i> | <i>Qty.</i> | <i>Description</i> | <i>Ref.</i> | <i>Part Number</i> | <i>Qty.</i> | <i>Description</i> |
|-------------|--------------------|-------------|-----------------------|-------------|--------------------|-------------|---------------------|
| 1 | 131-9693-03 | 1 | Plate-HOC, LH | 14 | 120-9676 | 3 | Screw-Plastite |
| 2 | 131-9694-03 | 1 | Plate-HOC, RH | 15 | 110-7191 | 2 | Washer-Thrust |
| 3 | 137-3052 | 4 | Screw-HH | 16 | 131-5399 | 2 | Gear-Pinion, 15T |
| 4 | 119-4038 | 4 | Nut-Hex | 17 | 32151-61 | 2 | Ring-Retaining |
| 5 | 108-9779 | 2 | Retainer-Bushing, HOC | 18 | 136-9059 | 2 | Gear Cover ASM |
| 6 | 104-8699 | 2 | Bearing-Ball | 18:2 | 614426 | 1 | Washer-Stepped |
| 7 | 108-9782 | 2 | Bushing-Sleeve | 19 | 614650 | 2 | Bolt-Shoulder |
| 8 | 136-9090 | 2 | Arm-Pivot, Rear | 20 | 137-4835 | 2 | Wheel Gear ASM, 8In |
| 9 | 108-9780 | 2 | Arm-Spring | 23 | 120-7012 | 1 | Shield-Trailing |
| 10 | 110-0549 | 2 | Knob-HOC | 24 | 139-1692 | 2 | Screw-Thd |
| 11 | 121-9178 | 1 | Transmission ASM | 25 | 100-1445 | 2 | Bolt-CARR |
| 12 | 115-4669 | 1 | Belt-V | 26 | 139-1724 | 2 | Nut-Lock |
| 13 | 114-7977-03 | 1 | Bracket-Transmission | | | | |

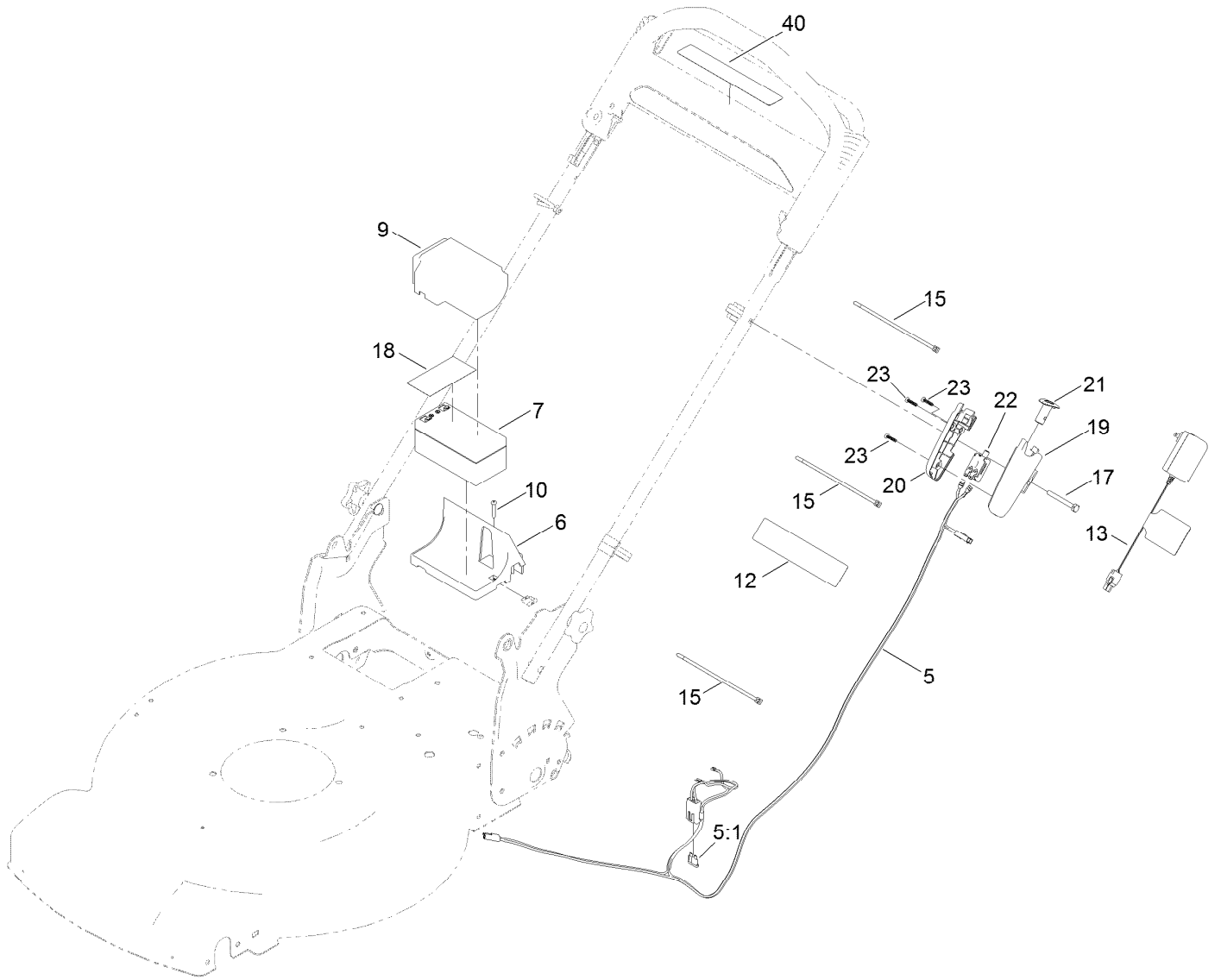
Handle Assembly



Handle Assembly (continued)

| <i>Ref.</i> | <i>Part Number</i> | <i>Qty.</i> | <i>Description</i> | <i>Ref.</i> | <i>Part Number</i> | <i>Qty.</i> | <i>Description</i> |
|-------------|--------------------|-------------|-----------------------|-------------|--------------------|-------------|--------------------|
| 1 | 131-9695-05 | 1 | Handle | 14 | 136-7166 | 1 | Spring-Torsion |
| 2 | 131-4591 | 2 | Bolt-Shoulder | 15 | 131-0880-03 | 1 | Bail-Brake |
| 3 | 119-4038 | 2 | Nut-Hex | 17 | 136-5864 | 1 | Anchor-Cable |
| 4 | 131-9663 | 2 | Screw-CARR | 18 | 115-8435 | 1 | Cable-Traction |
| 5 | 117-5976 | 2 | Knob-Handle | 19 | 115-8437 | 1 | Cable-Brake |
| 6 | 105-6842 | 1 | Guide-LH | 21 | 86-9671 | 1 | Guide-Rope |
| 7 | 105-6841 | 1 | Guide-RH | 22 | 137-3094 | 2 | Nut-Hex |
| 10 | 104-8678 | 1 | Handle-Control | 23 | 114-7988 | 1 | Guide-Cable |
| 11 | 136-7150 | 1 | Bar-Control, Traction | 24 | 131-4551 | 1 | Cover-Handle |
| 12 | 120-9683 | 1 | Washer-Plain | 40 | 120-3911 | 1 | Decal-Handle |
| 13 | 99-1589 | 1 | Lever-Traction | 44 | 139-1699 | 1 | Washer-Flat |

Electrical Assembly



Electrical Assembly (continued)

| <i>Ref.</i> | <i>Part Number</i> | <i>Qty.</i> | <i>Description</i> | <i>Ref.</i> | <i>Part Number</i> | <i>Qty.</i> | <i>Description</i> |
|-------------|--------------------|-------------|----------------------------|-------------|--------------------|-------------|-------------------------|
| 5 | 125-5024 | 1 | Harness-Wire | 15 | 614249 | 3 | Tie-Cable |
| 5:1 | 99-6124 | 1 | Fuse-40 Amp | 17 | 137-3034 | 1 | Screw-HH |
| 6 | 114-7936 | 1 | Tray-Battery | 18 | 112-8763 | 1 | Decal-Terminal, Battery |
| 7 | 106-8397 | 1 | Battery-Wet | 19 | 133-8160 | 1 | Housing-Switch, LH |
| 9 | 120-3329 | 1 | Cover-Battery | 20 | 133-8161 | 1 | Housing-Switch, RH |
| 10 | 139-1697 | 1 | Screw-Plastic, PPH | 21 | 125-2470 | 1 | Button-Switch |
| 12 | 104-7953 | 1 | Decal-Warning | 22 | 121-9173 | 1 | Switch-Push Button |
| 13 | 137-9153 | 1 | Charger, Battery (12V, CE) | 23 | 94-4496 | 3 | Screw-PPH |
| 13 | 139-8969 | 1 | Charger, Battery (12V, Uk) | 40 | 133-1900 | 1 | Decal-Button, Push |

Attachments and Accessories

For 21763 55cm Recycler Lawn Mower

| Product Name | Model/Part |
|--|-------------------|
| Traction Assist Handle Kit..... | 131-4590 |
| Replacement Drive Belt Kit, 22-inch 2009 and After Rear-Wheel Drive Lawn Mower | 38991 |
| All Season Synthetic Oil (10W30, QT) | 117-0066 |
| Lawnmower Cover..... | 490-7462 |
| Lawn Striping Kit with 22in Roller..... | 20601 |
| Toro 4-Cycle SAE 30 Oil (32oz Bottle) | 38903 |
| Bag-Walk Behind (Toro)..... | 490-7318 |
| Toro Premium Fuel Treatment 12 Oz Bottle | 131-6572 |
| 4-Cycle Fuel, Snow And Lawn 32oz Can | 131-3823 |
| Summer Oil-Case of 24 (20oz Bottles)..... | 38916 |

Notes:



Count on it.