



Count on it.

Parts Catalog

55cm Recycler®

Lawn Mower

Model No. 21764—Serial No. 40000000 and Up



Ordering Replacement Parts

To order replacement parts, please supply the part number, the quantity, and the description of each part desired.

Understanding Reference Numbers

Each identified part in an illustration has a reference number. The reference number for a part also appears in the parts list, along with other information about the part.

This catalog uses two special reference number formats, one to indicate parts in a service assembly and another to indicate the quantity of a given part in an illustration.

Service Assembly Reference Numbers

Parts in service assemblies have reference numbers in the form a:b. The a represents the reference number of the entire service assembly and the b represents a sequential number unique to each part within the service assembly.

For example, a wheel assembly might be identified by reference number 6, the tire by 6:1, the valve by 6:2, and the wheel by 6:3. When you order the assembly identified by reference number 6, you receive all parts identified by reference numbers 6:1, 6:2, and 6:3. However, you may also order any part individually. Reference numbers of this type appear in illustration and in parts lists.

Reference Numbers Indicating Quantity

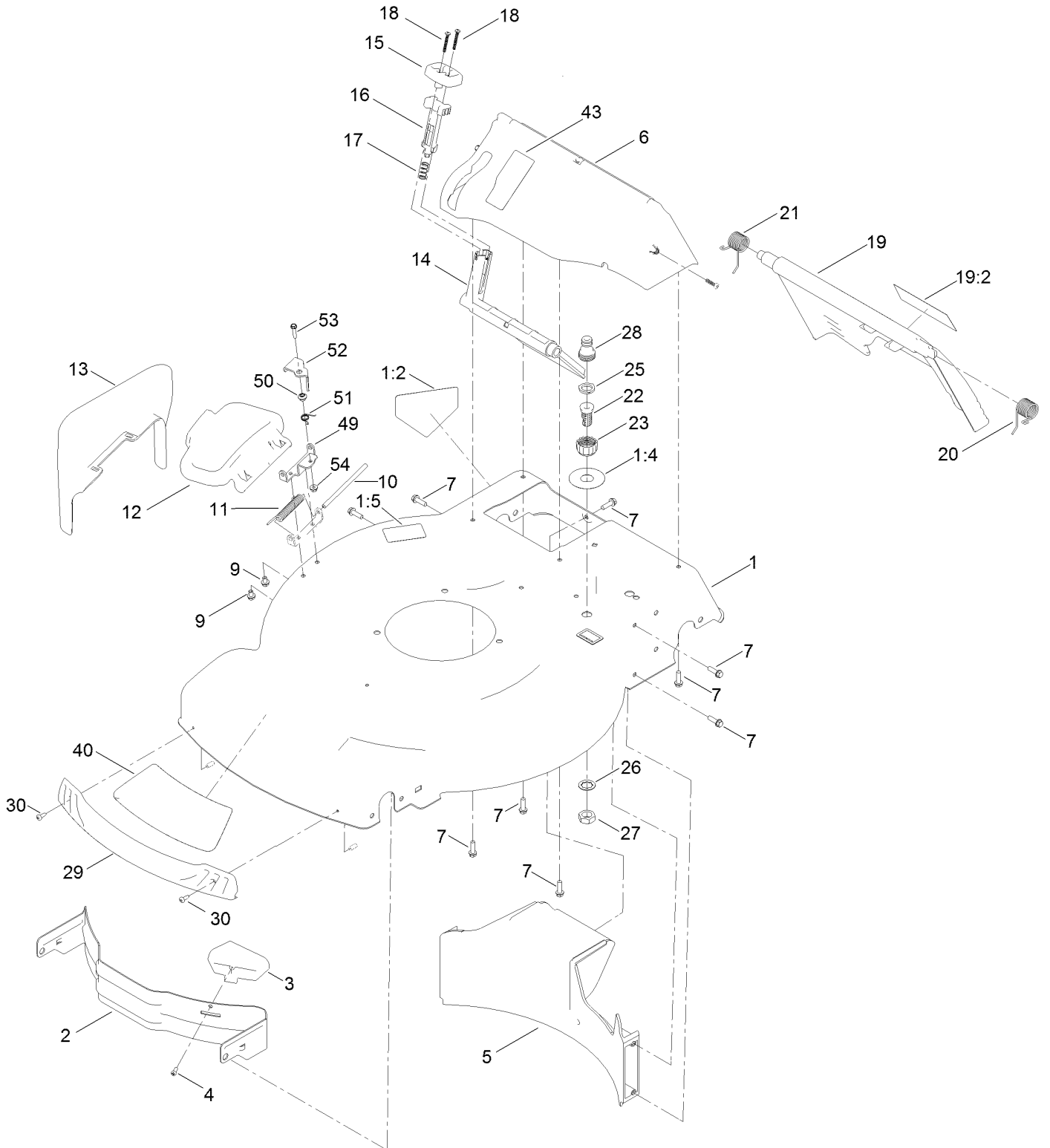
In an illustration, if a reference number indicates more than one part, the reference number has the form nX y. The n represents the quantity of the part, the X is the multiplication symbol, and the y represents the reference number.

For example, in an illustration, the reference number 2X 37 means that two of the parts identified by reference number 37 are indicated.

Contents

- Housing Assembly 4
- Rear Bag Assembly 6
- Engine and Blade Assembly 8
- Front Wheel and Height-of-Cut Assembly 10
- Transmission and Rear Wheel Assembly 12
- Handle Assembly 14
- Brake Bail Assembly 16
- Attachments and Accessories 18

Housing Assembly



Housing Assembly (continued)

<i>Ref.</i>	<i>Part Number</i>	<i>Qty.</i>	<i>Description</i>	<i>Ref.</i>	<i>Part Number</i>	<i>Qty.</i>	<i>Description</i>
1	130-2390	1	Housing ASM	19:2	131-4514	1	Decal-Warning
1:2	112-8760	1	Decal-Danger	20	115-2859	1	Spring-Torsion
1:4	137-9196	1	Decal-Quick Wash	21	114-7924	1	Spring-Torsion
1:5	125-5092	1	Decal-Placement, Foot	22	112-6400	1	Port-Washout
2	115-4667-01	1	Baffle-Front	23	112-6401	1	Coupling-Hose, Washout Port
3	115-4672	1	Kicker-Front	25	112-6438	1	Washer-Seal, Washout Port
4	139-1703	1	Screw-Plastic, PPH	26	139-1721	1	Washer-Lock, Int Tooth
5	139-8982	1	Baffle-Rear	27	3218-6	1	Nut-Jam
6	136-5882	1	Chute-Recycle	28	112-6437	1	Adapter-Connect, Quick
7	137-3099	9	Screw-Plastite, HWH	29	114-7987	1	Bumper
9	137-4795	2	Screw	30	105-6849	2	Screw-Forming, Thread
10	99-5291	1	Rod-Cover	40	120-3324	1	Decal
11	99-5293	1	Spring-Torsion	43	125-5026	1	Decal
12	138-5316	1	Deflector-Discharge, Side	49	138-3293	1	Bracket-Lockout
13	115-8447	1	Chute-Discharge, Side	50	107-7463	1	Spacer
14	114-7960	1	Deflector-Recycle	51	107-7462	1	Spring-Torsion
15	114-7958	1	Knob-Recycle	52	138-3292	1	Lever-Lockout
16	114-7959	1	Latch-Recycle	53	106-9169	1	Screw-HWH
17	117-1031	1	Spring-Compression	54	139-1712	1	Nut-Hex Flange
18	32104-120	2	Screw-PPH				
19	137-9139	1	Rear Door ASM				

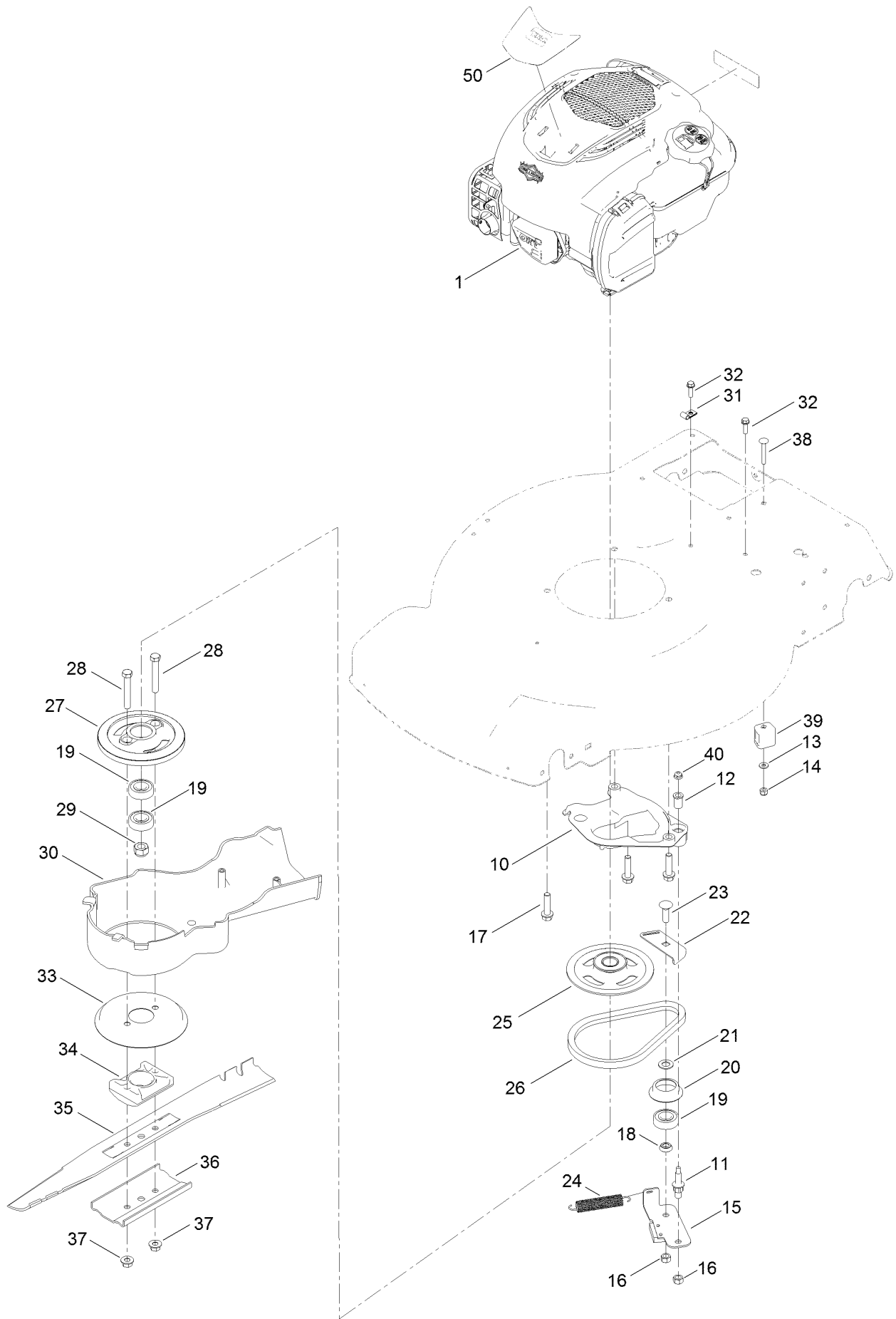
Rear Bag Assembly



Rear Bag Assembly (continued)

<i>Ref.</i>	<i>Part Number</i>	<i>Qty.</i>	<i>Description</i>
1	132-4529-03	1	Bag Frame ASM
2	115-4673	1	Grass Bag ASM

Engine and Blade Assembly



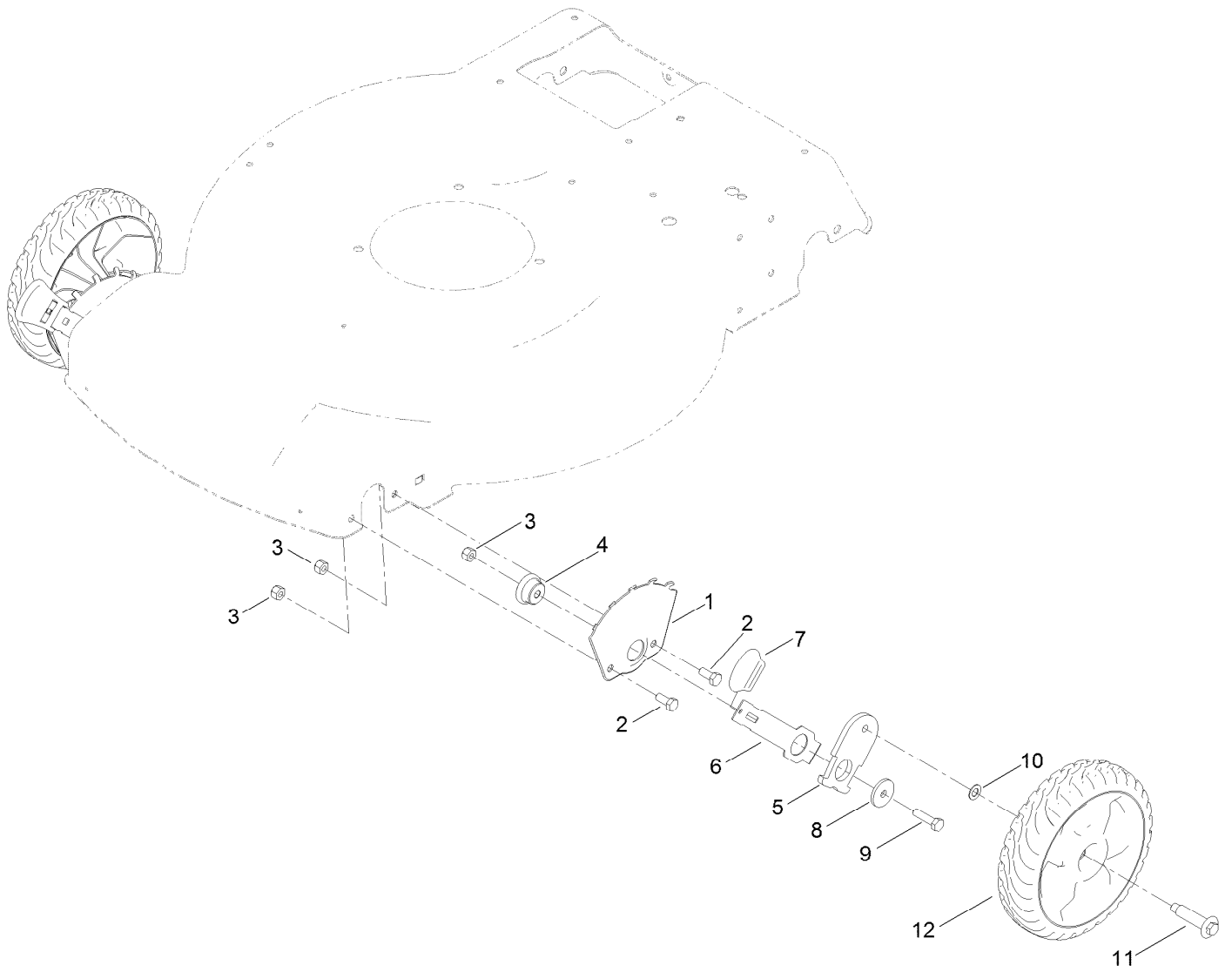
Engine and Blade Assembly (continued)

<i>Ref.</i>	<i>Part Number</i>	<i>Qty.</i>	<i>Description</i>	<i>Ref.</i>	<i>Part Number</i>	<i>Qty.</i>	<i>Description</i>
1		1	Engine-Briggs 104M020052F1 ●■	25	117-5970	1	Pulley
10	132-4469	1	Plate-Anchor	26	110-1790	1	Belt
11	107-0759	1	Bolt-Shoulder	27	126-8108	1	Drum
12	107-0797	1	Bushing	28	139-1711	2	Screw-HH
13	139-1722	1	Washer-Flat	29	139-1705	1	Nut-Hex
14	137-3094	1	Nut-Hex	30	115-2892	1	Cover
15	125-1063	1	Plate-Brake	31	2412-72	1	Clip-Closed, Insulated
16	603773	2	Locknut	32	137-3099	2	Screw-Plastite, HWH
17	32144-102	3	Screw-HWH	33	138-3225	1	Disk
18	107-0758	1	Spacer-Bearing	34	107-7487	1	Support-Blade
19	38-7820	3	Bearing-Ball	35	131-9683-03	1	Blade
20	138-3217	1	Retainer-Belt	36	108-3766-03	1	Support-Blade
21	605256	1	Spacer	37	139-1706	2	Nut-Flange, Lock
22	138-3222	1	Plate-Guide	38	120-9698	1	Bolt-CARR
23	119-4162	1	Screw-CARR	39	106-6801	1	Anchor-Cable
24	108-3792	1	Spring-Tension, Brake	40	137-3005	1	Nut-HF
				50	132-4472	1	Decal-Shroud

● Not serviced separately

■ Obtain parts from www.briggsandstratton.com

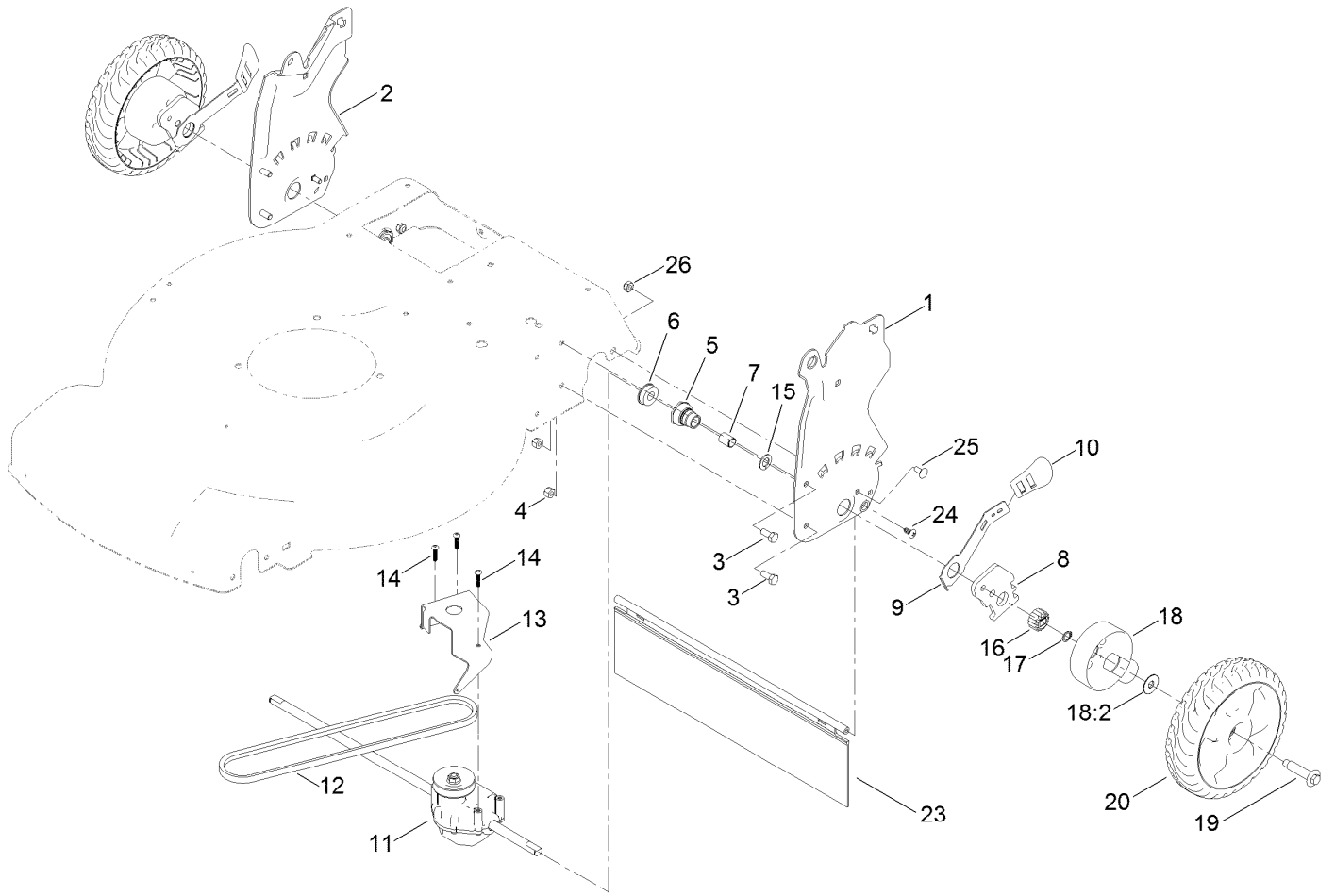
Front Wheel and Height-of-Cut Assembly



Front Wheel and Height-of-Cut Assembly (continued)

<i>Ref.</i>	<i>Part Number</i>	<i>Qty.</i>	<i>Description</i>	<i>Ref.</i>	<i>Part Number</i>	<i>Qty.</i>	<i>Description</i>
1	115-1956-03	2	Plate-HOC, Front	7	110-0549	2	Knob-HOC
2	137-3052	4	Screw-HH	8	139-1704	2	Washer-Flat
3	119-4038	6	Nut-Hex	9	120-9696	2	Screw-HH
4	105-1818	2	Bushing-Mount, HOC	10	40-1940	2	Washer
5	137-9128	2	Arm-Pivot, Front	11	614650	2	Bolt-Shoulder
6	105-1809	2	Arm-Spring	12	137-4833	2	8In Wheel ASM

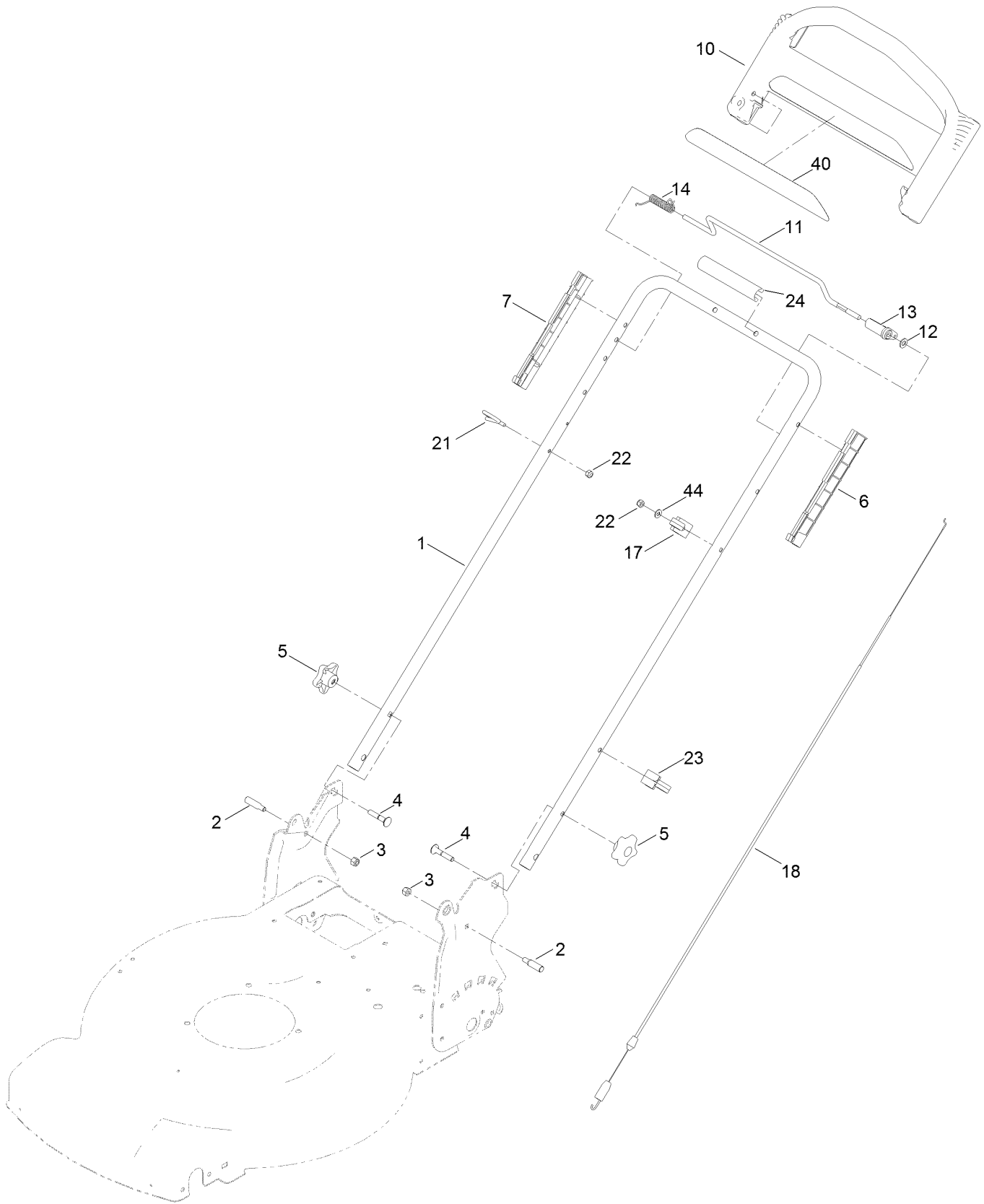
Transmission and Rear Wheel Assembly



Transmission and Rear Wheel Assembly (continued)

<i>Ref.</i>	<i>Part Number</i>	<i>Qty.</i>	<i>Description</i>	<i>Ref.</i>	<i>Part Number</i>	<i>Qty.</i>	<i>Description</i>
1	131-9693-03	1	Plate-HOC, LH	14	120-9676	3	Screw-Plastite
2	131-9694-03	1	Plate-HOC, RH	15	110-7191	2	Washer-Thrust
3	137-3052	4	Screw-HH	16	131-5399	2	Gear-Pinion, 15T
4	119-4038	4	Nut-Hex	17	32151-61	2	Ring-Retaining
5	108-9779	2	Retainer-Bushing, HOC	18	136-9059	2	Gear Cover ASM
6	104-8699	2	Bearing-Ball	18:2	614426	1	Washer-Stepped
7	108-9782	2	Bushing-Sleeve	19	614650	2	Bolt-Shoulder
8	136-9090	2	Arm-Pivot, Rear	20	137-4835	2	Wheel Gear ASM, 8In
9	108-9780	2	Arm-Spring	23	139-6604	1	Shield-Trailing
10	110-0549	2	Knob-HOC	24	139-1692	2	Screw-Thd
11	121-9178	1	Transmission ASM	25	100-1445	2	Bolt-CARR
12	115-4669	1	Belt-V	26	139-1724	2	Nut-Lock
13	114-7977-03	1	Bracket-Transmission				

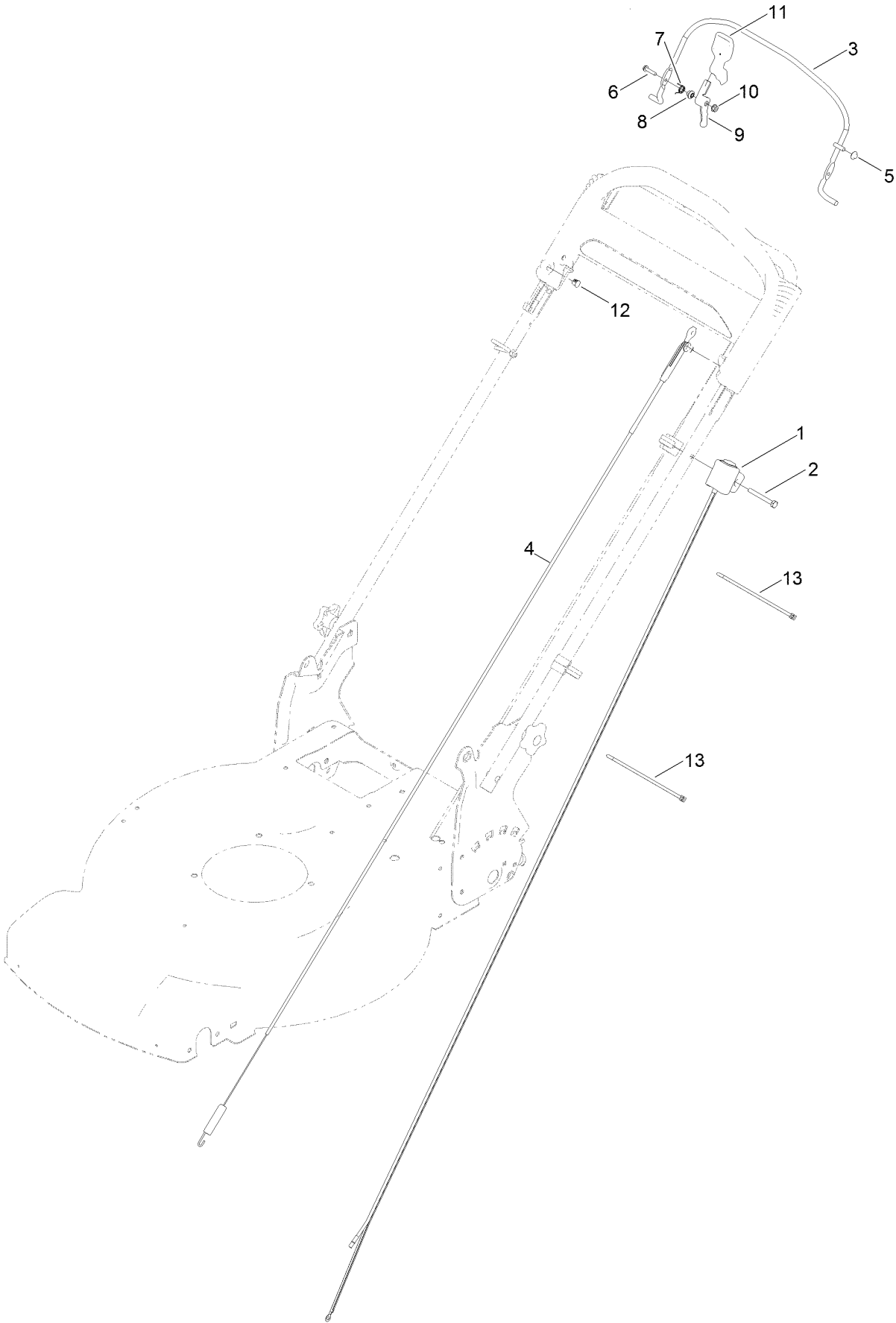
Handle Assembly



Handle Assembly (continued)

<i>Ref.</i>	<i>Part Number</i>	<i>Qty.</i>	<i>Description</i>	<i>Ref.</i>	<i>Part Number</i>	<i>Qty.</i>	<i>Description</i>
1	131-9695-05	1	Handle	13	99-1589	1	Lever-Traction
2	131-4591	2	Bolt-Shoulder	14	136-7166	1	Spring-Torsion
3	119-4038	2	Nut-Hex	17	136-5864	1	Anchor-Cable
4	131-9663	2	Screw-CARR	18	115-8435	1	Cable-Traction
5	117-5976	2	Knob-Handle	21	86-9671	1	Guide-Rope
6	105-6842	1	Guide-LH	22	137-3094	2	Nut-Hex
7	105-6841	1	Guide-RH	23	114-7988	1	Guide-Cable
10	104-8678	1	Handle-Control	24	131-4551	1	Cover-Handle
11	136-7150	1	Bar-Control, Traction	40	120-3911	1	Decal-Handle
12	120-9683	1	Washer-Plain	44	139-1699	1	Washer-Flat

Brake Bail Assembly



Brake Bail Assembly (continued)

<i>Ref.</i>	<i>Part Number</i>	<i>Qty.</i>	<i>Description</i>	<i>Ref.</i>	<i>Part Number</i>	<i>Qty.</i>	<i>Description</i>
1	117-5975	1	Switch Housing ASM	8	107-7463	1	Spacer
2	137-3034	1	Screw-HH	9	138-3220	1	Lever
3	108-3788-03	1	Bail-Brake	10	139-1712	1	Nut-Hex Flange
4	115-8439	1	Cable-Brake	11	112-8884	1	Knob
5	3290-337	1	Nut-Speed	12	104-9368	1	Plug-Dome
6	106-9169	1	Screw-HWH	13	614249	2	Tie-Cable
7	107-7462	1	Spring-Torsion				

Attachments and Accessories

For 21764 55cm Recycler Lawn Mower

Product Name	Model/Part
4-Cycle Fuel, Snow And Lawn 32oz Can	131-3823
Traction Assist Handle Kit	131-4590
Toro Premium Fuel Treatment 12 Oz Bottle	131-6572
Oil-30/10W-30 Synthetic (Quart).....	138-6053
Lawn Striping Kit with 22in Roller.....	20601
Toro 4-Cycle SAE 30 Oil (32oz Bottle)	38903
Summer Oil-Case of 24 (20oz Bottles).....	38916
Replacement Drive Belt Kit, 22-inch 2009 and After Rear-Wheel Drive Lawn Mower	38991
Bag-Walk Behind (Toro).....	490-7318
Lawnmower Cover.....	490-7462

Notes:



Count on it.