



**Count on it.**

**Parts Catalog**

**55cm Recycler®**

**Lawn Mower with SmartStow®**

Model No. 21765—Serial No. 400000000 and Up



# Ordering Replacement Parts

To order replacement parts, please supply the part number, the quantity, and the description of each part desired.

## Understanding Reference Numbers

Each identified part in an illustration has a reference number. The reference number for a part also appears in the parts list, along with other information about the part.

This catalog uses two special reference number formats, one to indicate parts in a service assembly and another to indicate the quantity of a given part in an illustration.

## Service Assembly Reference Numbers

Parts in service assemblies have reference numbers in the form a:b. The a represents the reference number of the entire service assembly and the b represents a sequential number unique to each part within the service assembly.

For example, a wheel assembly might be identified by reference number 6, the tire by 6:1, the valve by 6:2, and the wheel by 6:3. When you order the assembly identified by reference number 6, you receive all parts identified by reference numbers 6:1, 6:2, and 6:3. However, you may also order any part individually. Reference numbers of this type appear in illustration and in parts lists.

## Reference Numbers Indicating Quantity

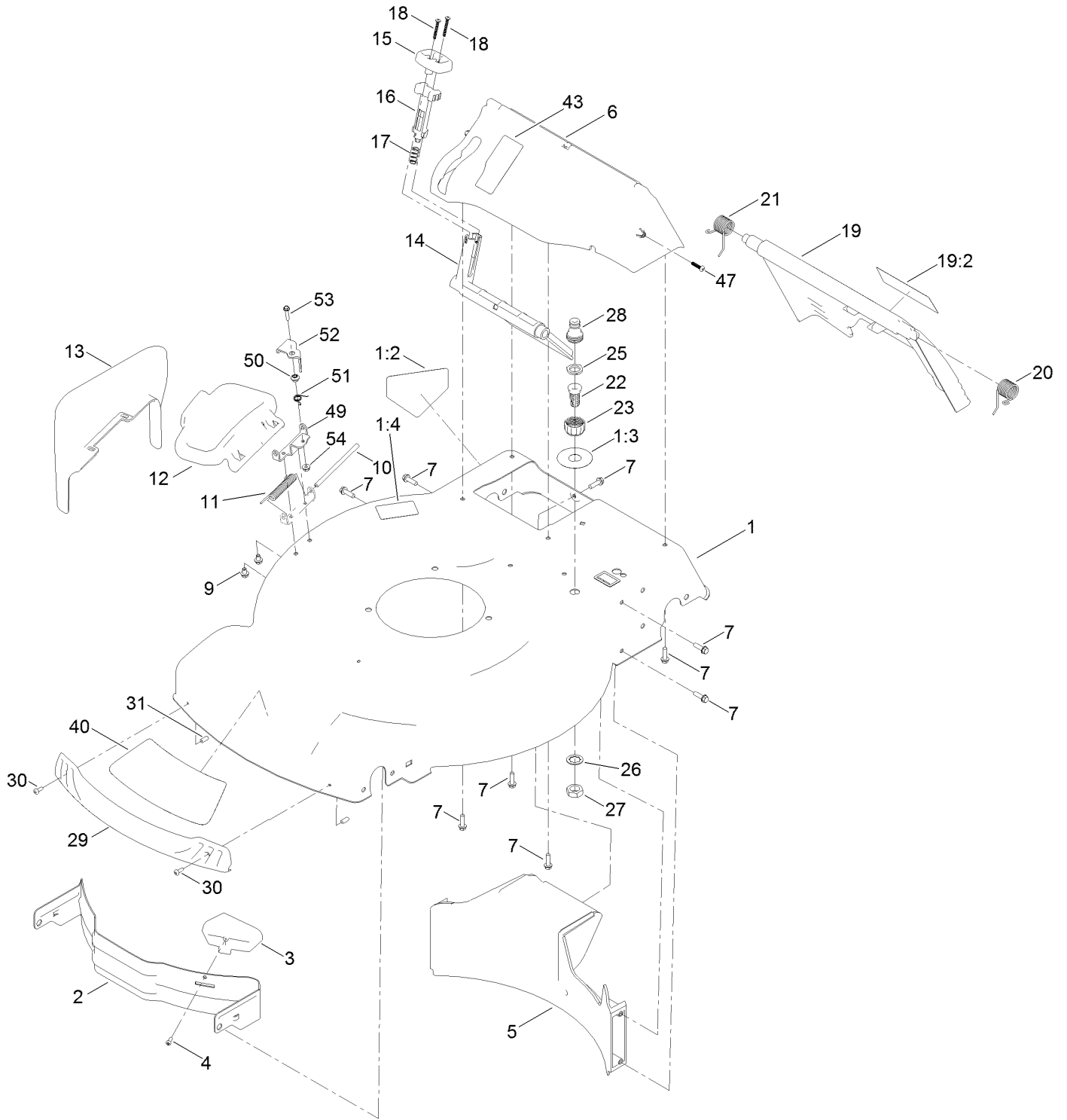
In an illustration, if a reference number indicates more than one part, the reference number has the form nX y. The n represents the quantity of the part, the X is the multiplication symbol, and the y represents the reference number.

For example, in an illustration, the reference number 2X 37 means that two of the parts identified by reference number 37 are indicated.

# Contents

Housing Assembly .....	4
Rear Bag Assembly .....	6
Engine and Blade Assembly .....	8
Front Wheel and Height-of-Cut Assembly .....	10
Rear Wheel and Height-of-Cut Assembly .....	12
Handle Assembly .....	14
Attachments and Accessories .....	16

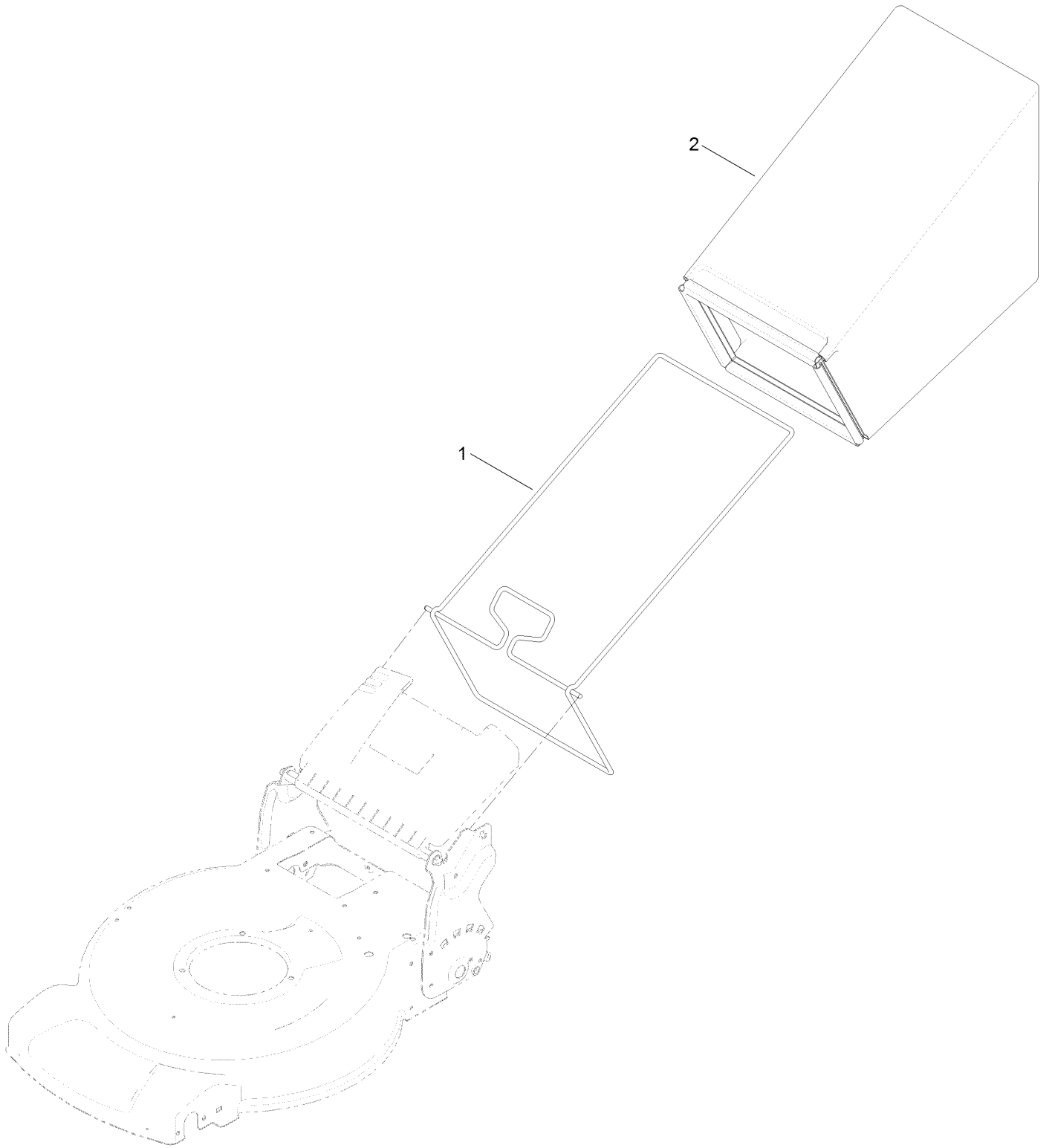
# Housing Assembly



## Housing Assembly (continued)

<i>Ref.</i>	<i>Part Number</i>	<i>Qty.</i>	<i>Description</i>	<i>Ref.</i>	<i>Part Number</i>	<i>Qty.</i>	<i>Description</i>
1	133-1946	1	Housing ASM	20	115-2859	1	Spring-Torsion
1:2	112-8760	1	Decal-Danger	21	114-7924	1	Spring-Torsion
1:3	137-9196	1	Decal-Quick Wash	22	112-6400	1	Port-Washout
1:4	125-5092	1	Decal-Placement, Foot	23	112-6401	1	Coupling-Hose, Washout Port
2	115-4667-01	1	Baffle-Front	25	112-6438	1	Washer-Seal, Washout Port
3	115-4672	1	Kicker-Front	26	139-1721	1	Washer-Lock, Int Tooth
4	139-1703	1	Screw-Plastic, PPH	27	3218-6	1	Nut-Jam
5	139-8982	1	Baffle-Rear	28	112-6437	1	Adapter-Connect, Quick
6	136-5882	1	Chute-Recycle	29	114-7987	1	Bumper
7	137-3099	9	Screw-Plastite, HWH	30	105-6849	2	Screw-Forming, Thread
9	137-4795	2	Screw	31	130-6660	2	Cap-Plug
10	99-5291	1	Rod-Cover	40	133-1948	1	Decal-Deck
11	99-5293	1	Spring-Torsion	43	125-5026	1	Decal
12	138-5316	1	Deflector-Discharge, Side	47	120-9676	2	Screw-Plastite
13	115-8447	1	Chute-Discharge, Side	49	138-3293	1	Bracket-Lockout
14	114-7960	1	Deflector-Recycle	50	107-7463	1	Spacer
15	114-7958	1	Knob-Recycle	51	107-7462	1	Spring-Torsion
16	114-7959	1	Latch-Recycle	52	138-3292	1	Lever-Lockout
17	117-1031	1	Spring-Compression	53	106-9169	1	Screw-HWH
18	32104-120	2	Screw-PPH	54	139-1712	1	Nut-Hex Flange
19	137-9139	1	Rear Door ASM				
19:2	131-4514	1	Decal-Warning				

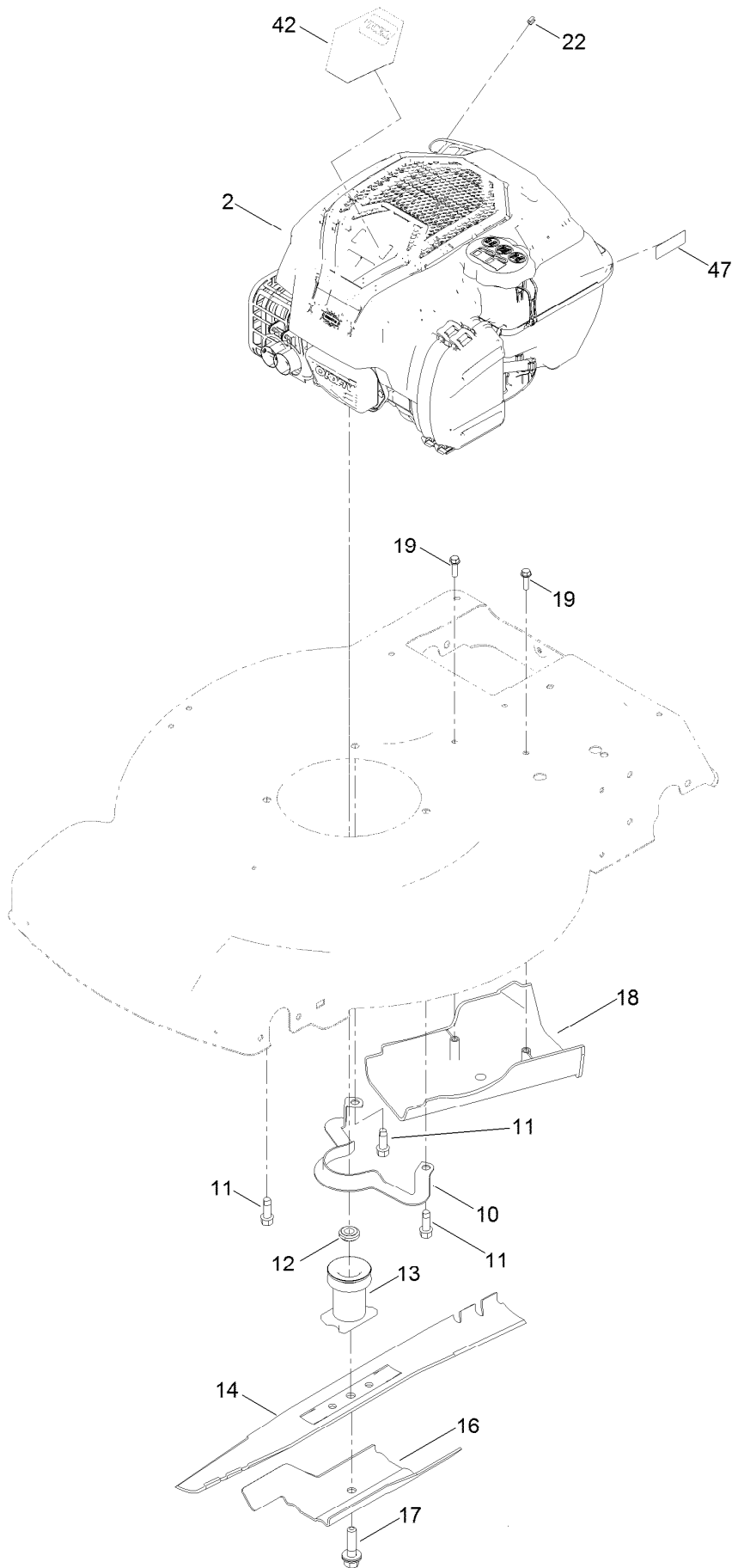
# Rear Bag Assembly



## Rear Bag Assembly (continued)

<i>Ref.</i>	<i>Part Number</i>	<i>Qty.</i>	<i>Description</i>
1	132-4529-03	1	Bag Frame ASM
2	115-4673	1	Grass Bag ASM

# Engine and Blade Assembly





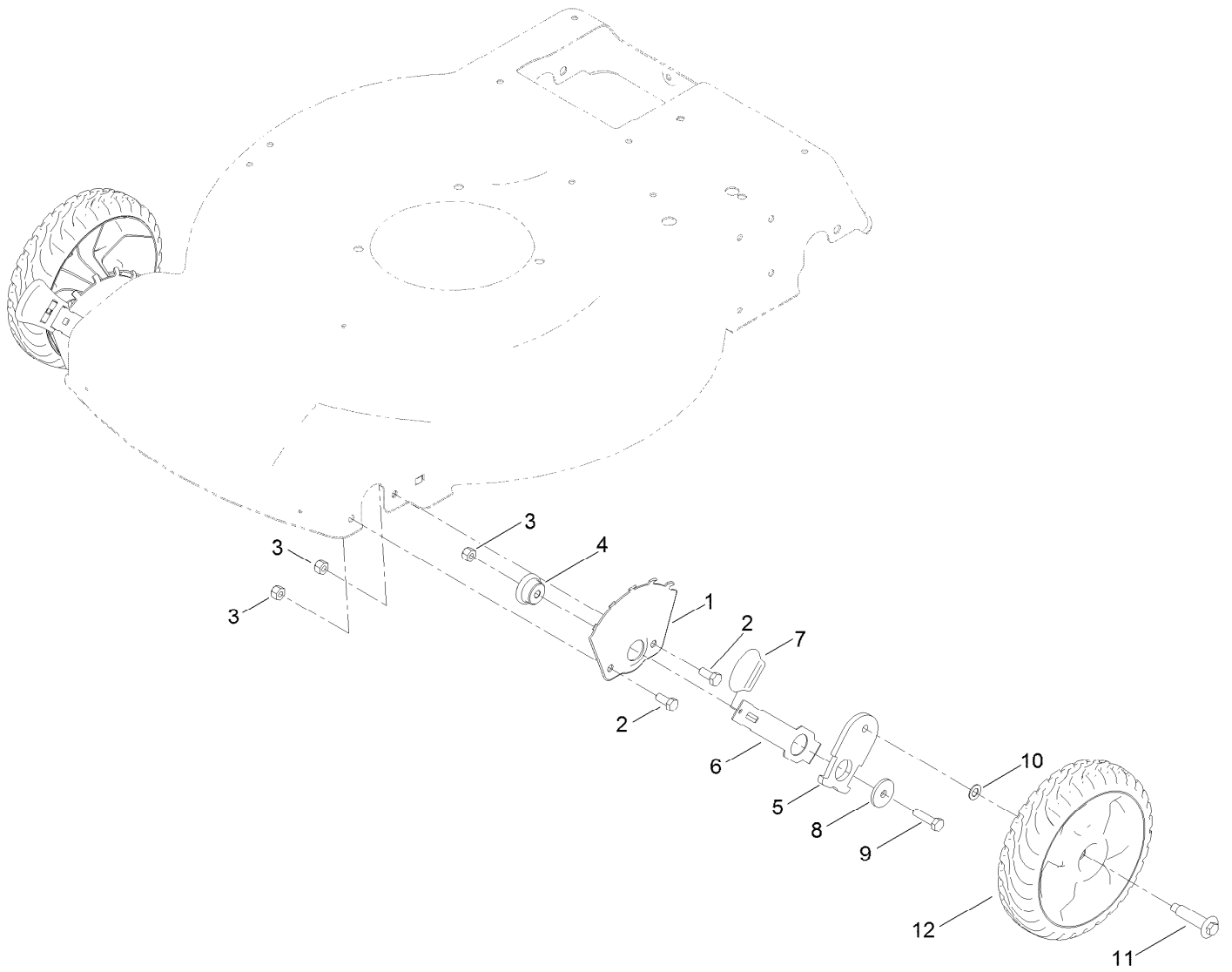
## Engine and Blade Assembly (continued)

<i>Ref.</i>	<i>Part Number</i>	<i>Qty.</i>	<i>Description</i>	<i>Ref.</i>	<i>Part Number</i>	<i>Qty.</i>	<i>Description</i>
2		1	Engine-Briggs,104M020130F1 ●■	16	105-6848-03	1	Accelerator-Blade
10	105-3030-03	1	Guide-Belt	17	125-2466	1	Bolt-Blade
11	95-1726	3	Screw-Taptite	18	114-7937	1	Cover-Belt
12	106-3999	1	Spacer-Driver	19	137-3099	2	Screw-Plastite, HWH
13	106-3987	1	Driver-Blade	22	2210-316	1	Stop-Rope
14	131-9683-03	1	Blade	42	133-8176	1	Decal-Shroud
				47	133-8198	1	Decal-Level, Fuel

● Not serviced separately

■ Obtain parts from [www.briggsandstratton.com](http://www.briggsandstratton.com)

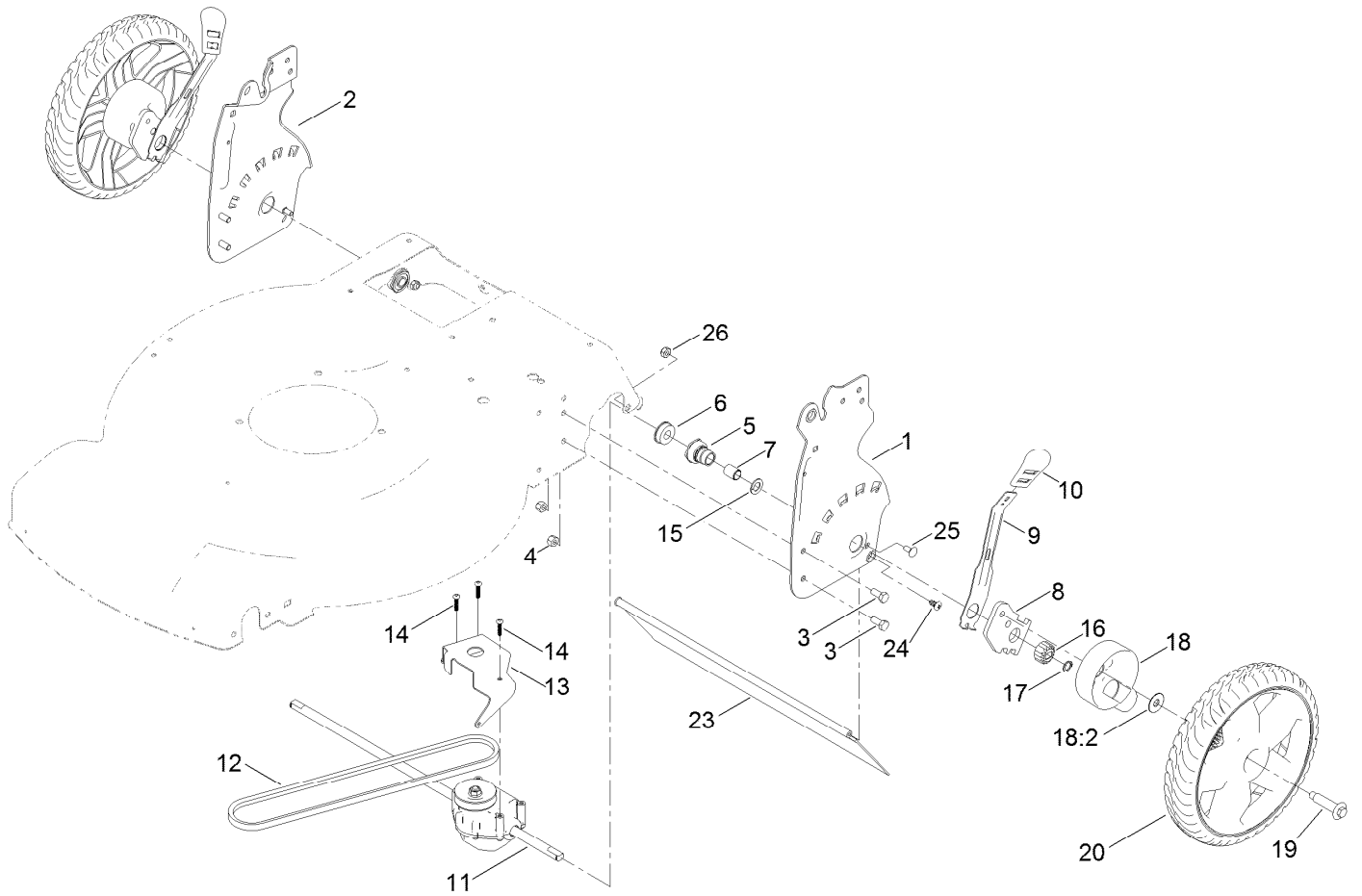
# Front Wheel and Height-of-Cut Assembly



# Front Wheel and Height-of-Cut Assembly (continued)

<i>Ref.</i>	<i>Part Number</i>	<i>Qty.</i>	<i>Description</i>	<i>Ref.</i>	<i>Part Number</i>	<i>Qty.</i>	<i>Description</i>
1	115-1956-03	2	Plate-HOC, Front	7	110-0549	2	Knob-HOC
2	137-3052	4	Screw-HH	8	139-1704	2	Washer-Flat
3	119-4038	6	Nut-Hex	9	120-9696	2	Screw-HH
4	105-1818	2	Bushing-Mount, HOC	10	40-1940	2	Washer
5	137-9128	2	Arm-Pivot, Front	11	614650	2	Bolt-Shoulder
6	105-1809	2	Arm-Spring	12	137-4833	2	8In Wheel ASM

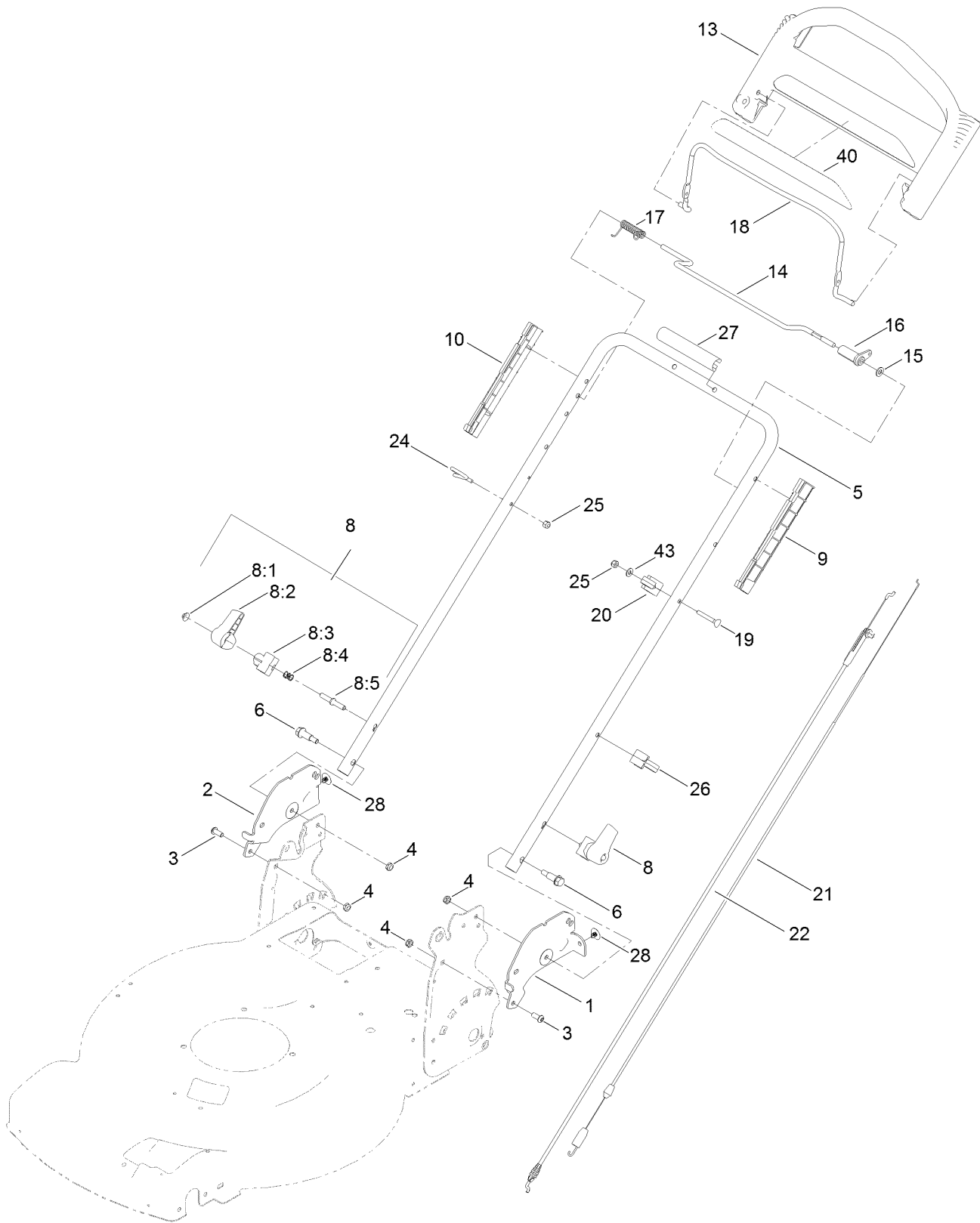
# Rear Wheel and Height-of-Cut Assembly



## Rear Wheel and Height-of-Cut Assembly (continued)

<i>Ref.</i>	<i>Part Number</i>	<i>Qty.</i>	<i>Description</i>	<i>Ref.</i>	<i>Part Number</i>	<i>Qty.</i>	<i>Description</i>
1	136-5887-03	1	Plate-HOC, Rwd (LH)	14	120-9676	3	Screw-Plastite
2	136-5888-03	1	Plate-HOC, Rwd (RH)	15	110-7191	2	Washer-Thrust
3	137-3052	4	Screw-HH	16	131-5399	2	Gear-Pinion, 15T
4	119-4038	4	Nut-Hex	17	32151-61	2	Ring-Retaining
5	108-9779	2	Retainer-Bushing, HOC	18	136-9059	2	Gear Cover ASM
6	104-8699	2	Bearing-Ball	18:2	614426	1	Washer-Stepped
7	108-9782	2	Bushing-Sleeve	19	614650	2	Bolt-Shoulder
8	136-9090	2	Arm-Pivot, Rear	20	137-4843	2	Wheel Gear ASM (11In)
9	132-4486	2	Arm-Spring	23	139-6604	1	Shield-Trailing
10	110-0549	2	Knob-HOC	24	139-1692	2	Screw-Thd
11	137-4825	1	Transmission-Rwd (6:1)	25	100-1445	2	Bolt-CARR
12	91-2258	1	Belt-V	26	139-1724	2	Nut-Lock
13	132-4481-01	1	Bracket-Transmission				

# Handle Assembly



## Handle Assembly (continued)

<i>Ref.</i>	<i>Part Number</i>	<i>Qty.</i>	<i>Description</i>	<i>Ref.</i>	<i>Part Number</i>	<i>Qty.</i>	<i>Description</i>
1	137-9109-03	1	Plate-Handle, LH	15	120-9683	1	Washer-Plain
2	137-9110-03	1	Plate-Handle, RH	16	99-1589	1	Lever-Traction
3	3274-55	2	Screw-HSBH	17	136-7166	1	Spring-Torsion
4	137-3089	4	Nut-Hex	18	131-0880-03	1	Bail-Brake
5	132-4471-05	1	Handle	19	137-3109	1	Bolt-CARR
6	130-2344	2	Bolt-Shoulder	20	136-5864	1	Anchor-Cable
8	138-3249	2	Quick Release ASM	21	115-8435	1	Cable-Traction
8:1	32112-11	1	Nut-Push	22	115-8437	1	Cable-Brake
8:2	138-3248	1	Lever-Release	24	86-9671	1	Guide-Rope
8:3	138-3253	1	Anchor-Spring	25	137-3094	2	Nut-Hex
8:4	115-2858	1	Spring-Compression	26	114-7988	1	Guide-Cable
8:5	138-3243	1	Rod-Release	27	131-4551	1	Cover-Handle
9	105-6842	1	Guide-LH	28	130-6721	2	Clip-Tree
10	105-6841	1	Guide-RH	40	133-1949	1	Decal
13	104-8678	1	Handle-Control	43	139-1699	1	Washer-Flat
14	136-7150	1	Bar-Control, Traction				

# Attachments and Accessories

## For 21765 55cm Recycler Lawn Mower with SmartStow

<b>Product Name</b>	<b>Model/Part</b>
Traction Assist Handle Kit.....	131-4590
Lawn Striping Kit with 22in Roller.....	20601
Smart Stow Walk Power Mower Cover .....	490-2012
Bag-Walk Behind (Toro).....	490-7318
Toro Premium Fuel Treatment 12 Oz Bottle .....	131-6572
4-Cycle Fuel, Snow And Lawn 32oz Can .....	131-3823
Oil-30/10W-30 Synthetic (Quart).....	138-6053
Summer Oil-Case of 24 (20oz Bottles).....	38916
Toro 4-Cycle SAE 30 Oil (32oz Bottle) .....	38903



**Notes:**

**Notes:**

**Notes:**



**Count on it.**