



**Wheel Horse<sup>®</sup>**

**523dxi**

**523dxi Int'l**

**Model No. 73550 – 8900001 & Up**

**Model No. 73551 – 8900001 & Up**

---

**Parts Catalog**

## ORDERING REPLACEMENT PARTS

To order replacement parts, please supply: the part number, the quantity, and the description of each part desired.

## Contents

Description	Page	Description	Page
Bumper & Hood Support Assembly . . . . .	1	Upper Parking Brake Assembly . . . . .	19
Steering Tower & Fuel Tank Support Assembly . .	2	Hydro Controls Assembly . . . . .	20
Attach A Matic & Hitch Assembly . . . . .	3	Slow In Turns Front Assembly . . . . .	21
Lower Power Steering Assembly . . . . .	4	Lower Parking Brake Assembly . . . . .	22
Power Steering & Tilt Assembly . . . . .	5	Cruise Control Assembly . . . . .	23
Tie Rods, Spindle, & Front Axle Assembly . . . . .	6	Fuel System Assembly . . . . .	24
Hydro Trans Axle Assembly . . . . .	7	Wheel Assembly . . . . .	25
Hydro Trans Axle Assembly (Continued) . . . . .	8	Liquid Cooled Diesel Engine Assembly . . . . .	26
Drive Shaft Assembly . . . . .	9	Liquid Cooled Diesel Engine Assembly (Continued) . . . . .	27
Hydro Lift Lower Assembly . . . . .	10	Liquid Cooled Diesel Engine Assembly (Continued) . . . . .	28
Hydro Lift Upper Assembly . . . . .	11	Electrical Assembly . . . . .	29
Hood & Headlight Assembly . . . . .	12	Wiring Harness Routing . . . . .	30
Grille & Side Panels Assembly . . . . .	13	Electrical Schematic . . . . .	31
Dash Assembly . . . . .	14	Engine Assembly . . . . .	32–43
Fender, Footrest, & Seat Assembly . . . . .	15	Toro Part Number Index . . . . .	44–56
Fender, Footrest, & Seat Assembly (Continued) . . . . .	16	Maintenance . . . . .	57
Slow In Turns Rear Assembly . . . . .	17		
Hi–Lo Shift Assembly . . . . .	18		

**Note:**

## Accessories

Description	Model / Parts No.	Description	Model / Parts No.
42" Rear Discharge Cutting Unit (Model No. 73550 Only) . . . . .	Model No. 78353	52" Recycler Cutting Unit (Model No. 73550 Only) . . . . .	Model No. 78375
42" Rear Discharge Low Cut Cutting Unit (Model No. 73551 Only) . . . . .	Model No. 78442	52" Side Discharge Cutting Unit (Model No. 73551 Only) . . . . .	Model No. 78452
44" Side Discharge Cutting Unit (Model No. 73550 Only) . . . . .	Model No. 78357	60" Side Discharge Cutting Unit (Model No. 73550 Only) . . . . .	Model No. 78395
44" Recycler Cutting Unit (Model No. 73550 Only) . . . . .	Model No. 78358	60" Side Discharge Cutting Unit (Model No. 73551 Only) . . . . .	Model No. 78469
44" Side Discharge Low Cut Cutting Unit (Model No. 73551 Only) . . . . .	Model No. 78444	36" Tiller . . . . .	Model No. 79375
48" Side Discharge Cutting Unit (Model No. 73550 Only) . . . . .	Model No. 78363	50" Grader Blade . . . . .	Model No. 79356
48" Recycler Cutting Unit (Model No. 73550 Only) . . . . .	Model No. 78364	48" Snow/Dozer Blade . . . . .	Model No. 79355
48" Side Discharge Cutting Unit (Model No. 73551 Only) . . . . .	Model No. 78448	42" Single Stage Snowthrower . .	Model No. 79365
52" Side Discharge Cutting Unit (Model No. 73550 Only) . . . . .	Model No. 78370	44" Two Stage Snowthrower . . .	Model No. 79366
		Clevis Hitch . . . . .	Part No. 94–7800
		Rear Attach–A–Matic . . . . .	Part No. 95–4220
		Rear Wheel Weights . . . . .	Model No. 81115
		Flush Mount Rear Wheel Weights . . . . .	Model No. 81117
		Front Wheel Weights . . . . .	Model No. 81214
		Tire Chains . . . . .	Model No. 82146
		Dual Wheel Adapter . . . . .	Part No. 94–2050

## Part Description Abbreviations

Part descriptions in this catalog may include the following abbreviations.

<b>Abbreviation</b>	<b>Meaning</b>	<b>Abbreviation</b>	<b>Meaning</b>
AR .....	as required	HWHTF .....	hex washer head thread forming
ASM .....	assembly	INC .....	incorporated
CARR .....	carriage	LH .....	left hand
DEG .....	degrees	PH .....	pan head
FH .....	flat head	PPH .....	Phillips pan head
GA .....	gauge	PTO .....	power take off
HF .....	hex flange	RH .....	right hand
HFV .....	hex flange washer	SFH .....	slotted fillister head
HH .....	hex head	SH .....	square head
HHF .....	hex head flange	SHWH .....	slotted hex washer head
HHST .....	hex head self tapping	SPH .....	slotted pan head
HJ .....	hex jam	STD .....	standard
HOC .....	height-of-cut	TAP .....	self tapping
HS .....	hex socket	TH .....	truss head
HSBH .....	hex socket button head	TTH .....	Torx truss head
HSFH .....	hex socket flat head	WH .....	wing head
HSH .....	hex socket head		
HWH .....	hex washer head		

## Important Format Explanations

This catalog uses special formats to convey information in illustrations and parts lists. Specifically, one format is used in conjunction with service assemblies and another with quantities associated with reference numbers.

### Service Assemblies

Parts within service assemblies have reference numbers in the form  $X:Y$ .  $X$  is the reference number of the service assembly and  $Y$  is a sequential number unique to each part within the service assembly.

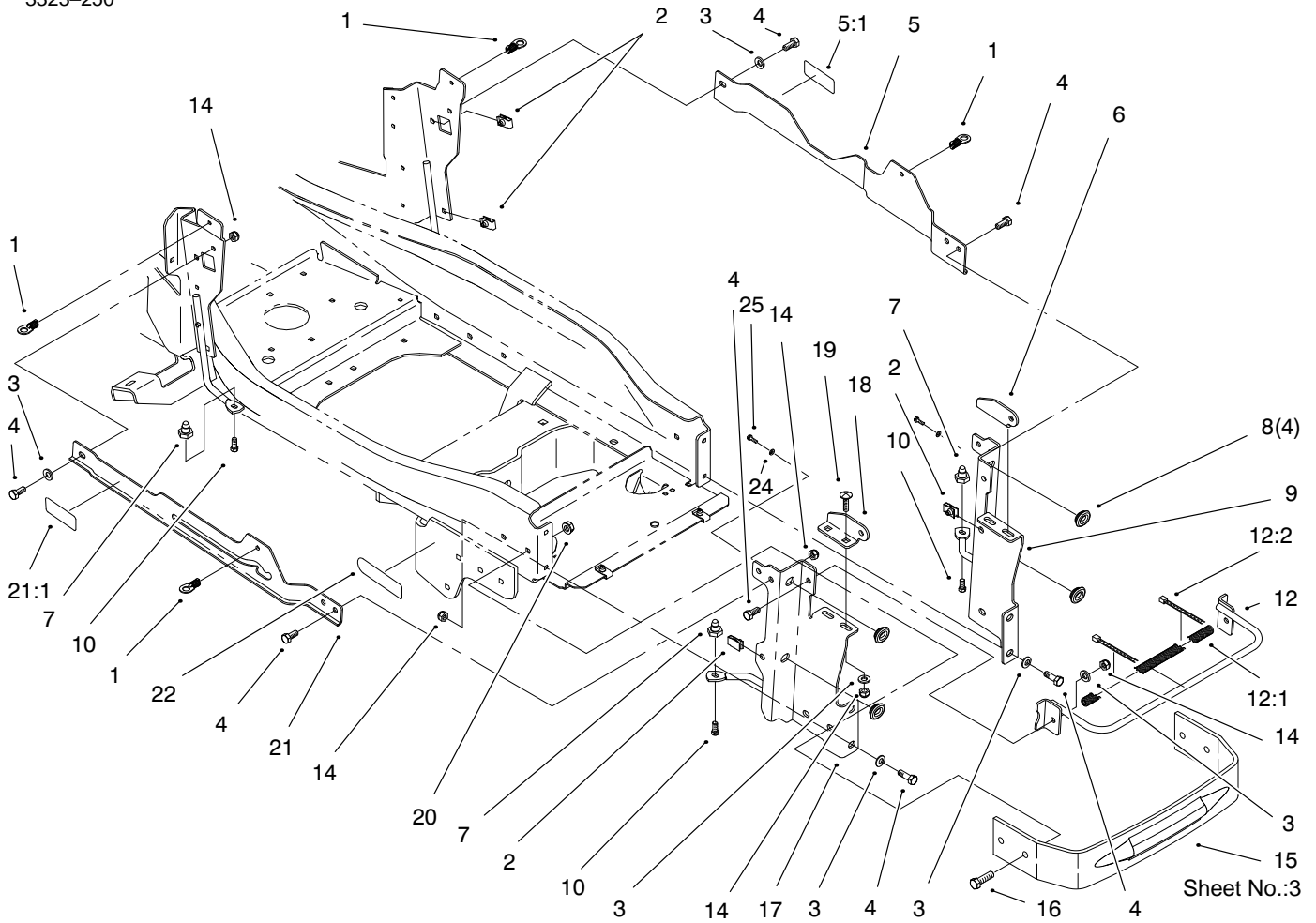
For example, a wheel assembly might be identified by reference number 6, the tire by 6:1, the valve by 6:2, and the wheel by 6:3. When you order the assembly identified by reference number 6, you receive all parts identified by reference numbers 6:1, 6:2, and 6:3. However, you may also order any part individually.

Reference numbers of this type appear in part lists and as callouts in illustrations.

### Reference Numbers with Quantities

Illustrations may have a quantity in parentheses next to a reference number, in the form  $X (Y)$ .  $X$  is the reference number.  $Y$  in parentheses is the quantity of the part identified by the reference number.

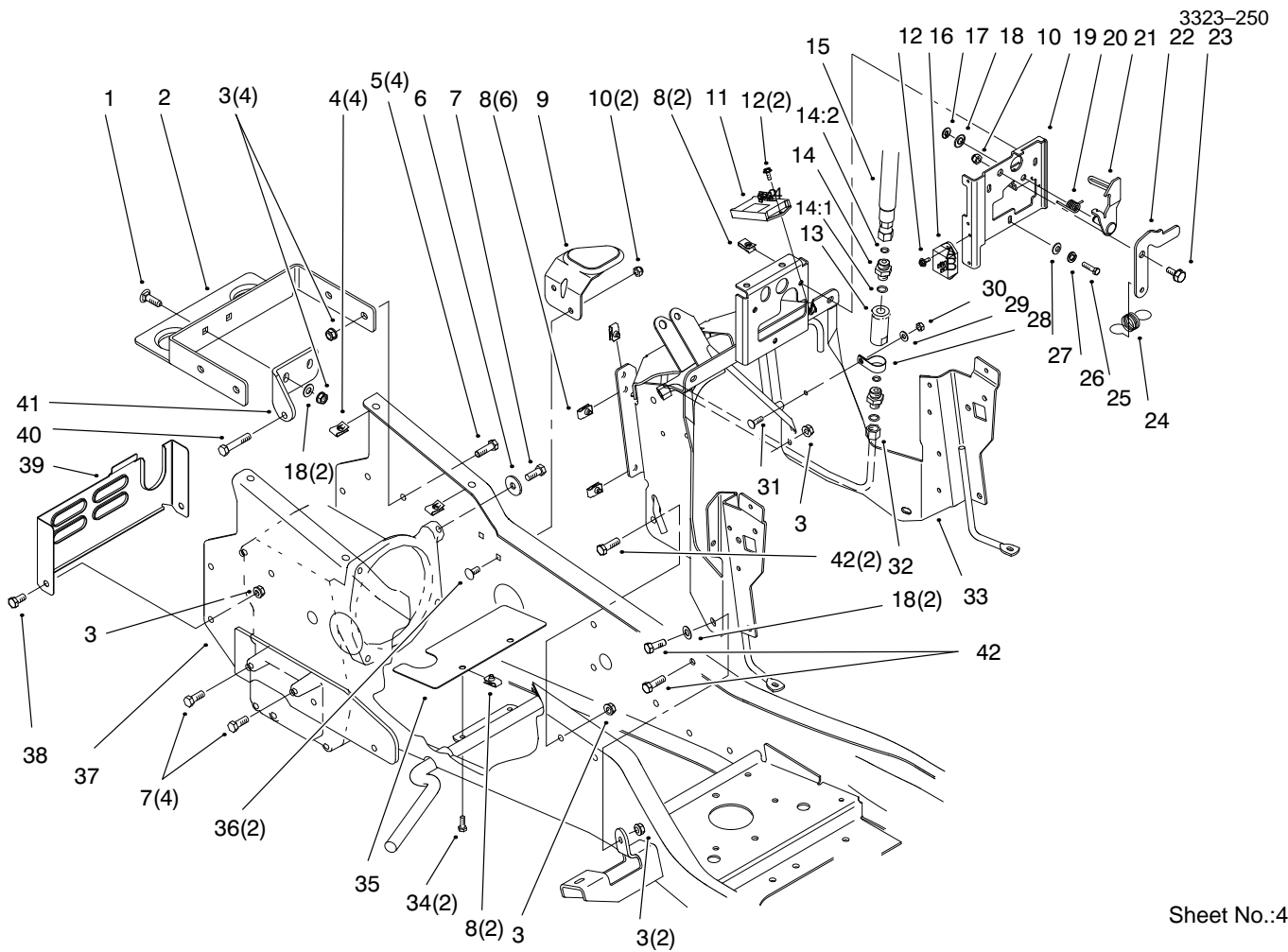
For example, the illustration callout 4 (2) indicates that two parts are used in that instance.



## Bumper & Hood Support Assembly

Ref. No.	Part No.	Qty.	Description
1	95-4013	4	Latch Assembly
2	107069	6	Nut-Panel
3	3256-23	12	Washer-Flat
4	322-3	12	Screw-HH
5	98-5064-03	1	Support ASM (Only On: 73550)
5	98-5070-03	1	Support ASM (Only On: 73551)
5:1	98-5014	1	Decal-Warning (Only On: 73550)
5:1	98-5015	1	Decal-Warning (Only On: 73551)
6	94-7995-03	1	Bracket-Hinge Lower LH
7	95-3989	4	Mount-Sidepanel
8	94-7910	4	Grommet
9	95-4082-03	1	Hood Support LH
10	46-8093	4	Screw-TAP
12	98-7203	1	Hood Support ASM
12:1	95-4258	1	Cover-Brace
12:2	614249	2	Tie Strap
14	3296-29	16	Nut-Lock
15	94-2308-03	1	Bumper-Frame
16	323-7	4	Screw-HH
17	95-4081-03	1	Hood Support RH

Ref. No.	Part No.	Qty.	Description
18	94-7994-03	1	Bracket-Hinge Lower RH
19	3230-16	4	Screw-CARR
20	3296-39	4	Nut-Lock
21	98-5061-03	1	Support ASM (Only On: 73550)
21	98-5063-03	1	Support ASM (Only On: 73551)
21:1	98-5014	1	Decal-Warning (Only On: 73550)
21:1	98-5015	1	Decal-Warning (Only On: 73551)
22	92-8747	2	Decal-Attach A Matic
24	3256-61	2	Washer-Flat (Only On: 73551)
25	32144-42	2	Screw-HH TAP (Only On: 73551)

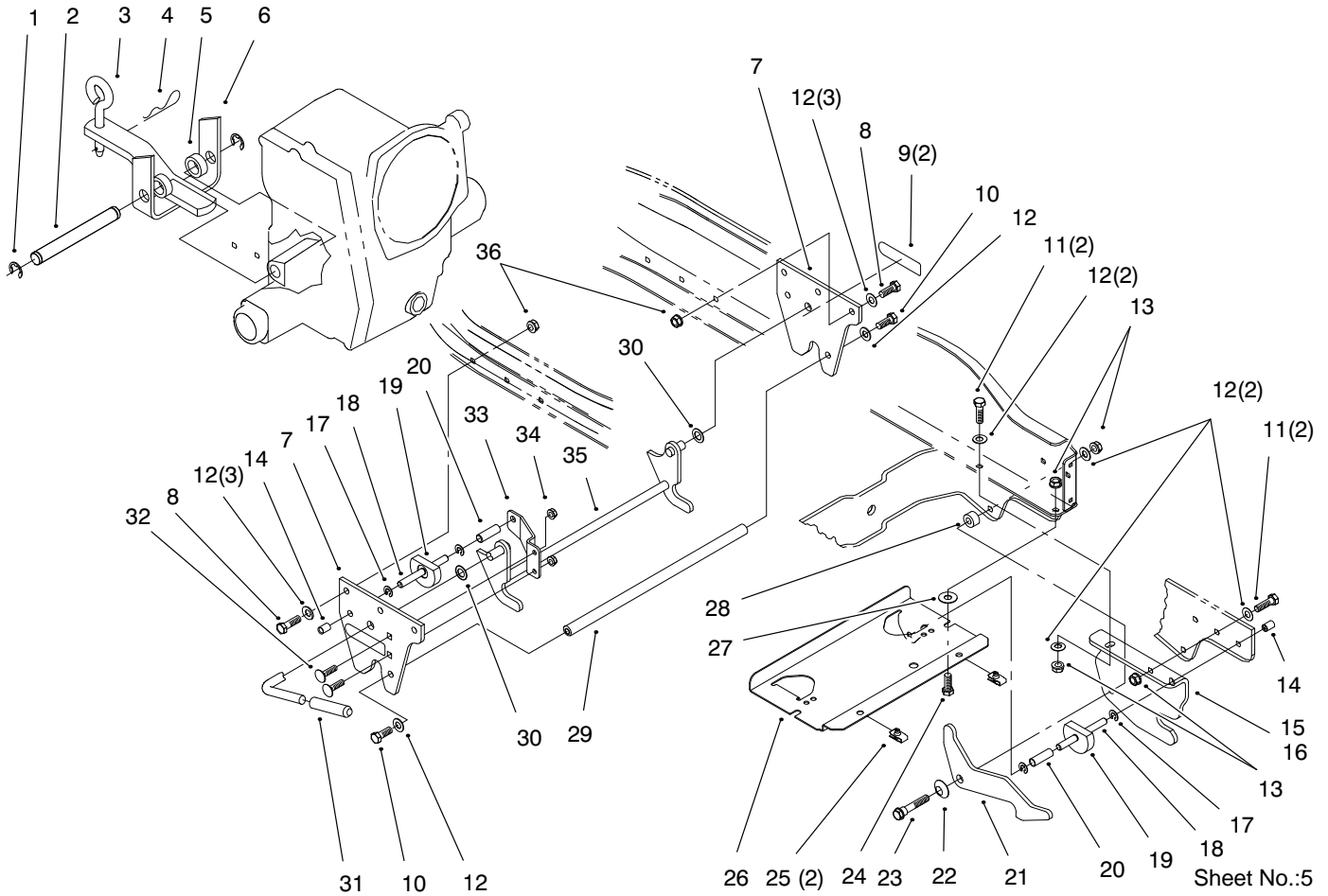


Sheet No.:4

## Steering Tower & Fuel Tank Support Assembly

Ref. No.	Part No.	Qty.	Description
1	3231-25	2	Screw-CARR
2	94-7740-03	1	Support - Gas Tank
3	3296-39	10	Nut-Lock
4	94-2413	4	U-Nut
5	323-7	4	Screw-HH
6	2844	1	Washer-Flat
7	3235-22	5	Screw-HH
8	107069	10	Nut-Panel
9	95-3961-03	1	Support-Fuel Tank
10	3296-29	3	Nut-Lock
11	94-7614	1	Module-Diesel
12	12-5450	3	Screw-Thread Forming
13	95-3991	1	Filter-Hydraulic Screen
14	95-4138	2	Fitting-Hydraulic
14:1	237-22	2	O-Ring
14:2	237-42	2	O-Ring
15	95-3807	1	Hose ASM
16	95-3029	1	Cruise Module
17	105797	1	Ring-Retaining
18	3256-24	5	Washer-Flat
19	95-3892-03	1	Bracket-Latch
20	95-4165	1	Spring-Torsion
21	95-3899	1	Latch Lever
22	95-3900	1	Tension Lever-Latch

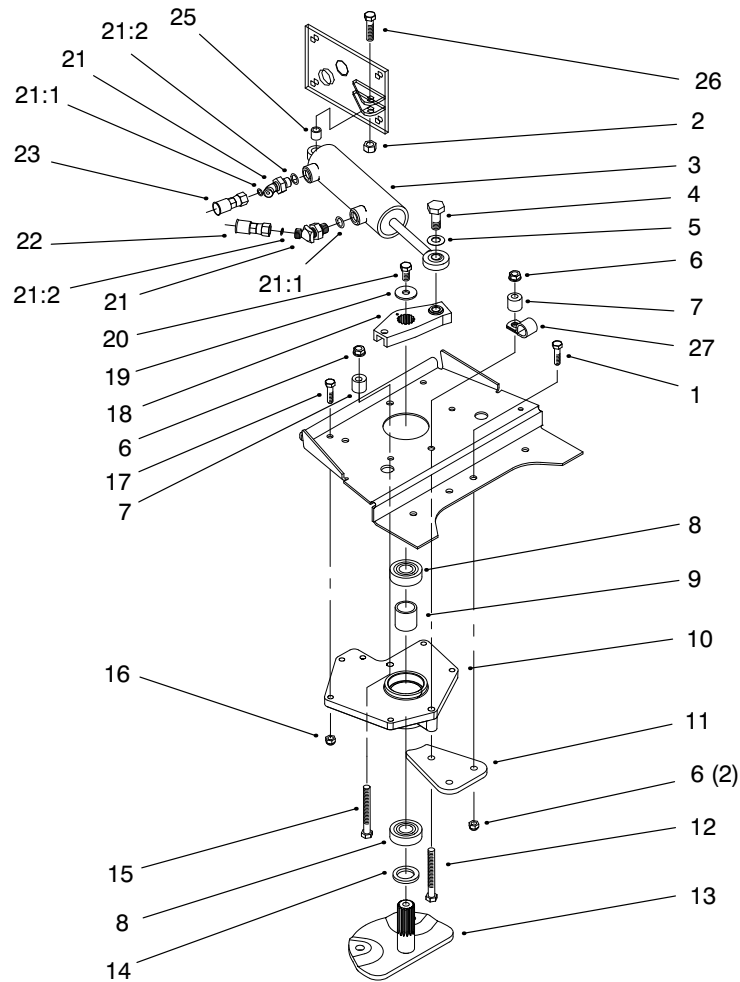
Ref. No.	Part No.	Qty.	Description
23	37-8771	1	Bolt-Shoulder
24	95-3895	1	Spring-Extension
25	321-4	3	Screw-HH
26	3253-3	3	Washer-Lock
27	3256-22	3	Washer-Flat
28	2412-106	1	R Clamp
29	3256-22	1	Washer-Flat
30	3296-42	1	Nut-Lock
31	3229-1	1	Bolt-CARR
32	94-7971	1	Tube-Hydraulic
33	94-7643-03	1	Tower ASM
34	321-4	2	Screw-HH
35	95-4246	1	Baffle-Fan
36	3230-1	2	Bolt-CARR
37	94-2083-03	1	Frame
38	323-4	2	Screw-HH
39	95-4005-03	1	Cover-Rear
40	94-7972	1	Screw-HH
41	94-7739-03	1	Strap-Torque
42	323-6	4	Screw-HH



## Attach A Matic & Hitch Assembly

Ref. No.	Part No.	Qty.	Description
1	5618	2	Ring-Retaining
2	105269	1	Pin-Hitch
3	106634	1	Pin-Attachment
4	9335054	1	Hairpin
5	9791204	2	Spacer
6	98-8083-03	1	Hitch
7	94-2251-03	2	Plate-Hitch
8	323-44	6	Screw-HH
9	98-1632	2	Decal-Attach A Matic
10	3235-22	2	Screw-HH
11	323-7	4	Screw-HH
12	3256-24	16	Washer-Flat
13	3296-39	8	Nut-Lock
14	105316	3	Cap-Rod
15	94-2230-03	1	Hanger RH
16	94-2231-03	1	Hanger LH
17	105797	6	Ring-Retaining
18	94-2256	3	Rod-Lock
19	94-2258	3	Lock-Latch
20	8616	3	Spring-Compression
21	94-7777-03	2	Latch-Pulley Box
22	3290-221	2	Washer-Spring
23	92-7674	2	Bolt-Shoulder
24	323-6	2	Screw-HH
25	107069	2	Nut-Panel
26	94-2304-03	1	Tray-Battery

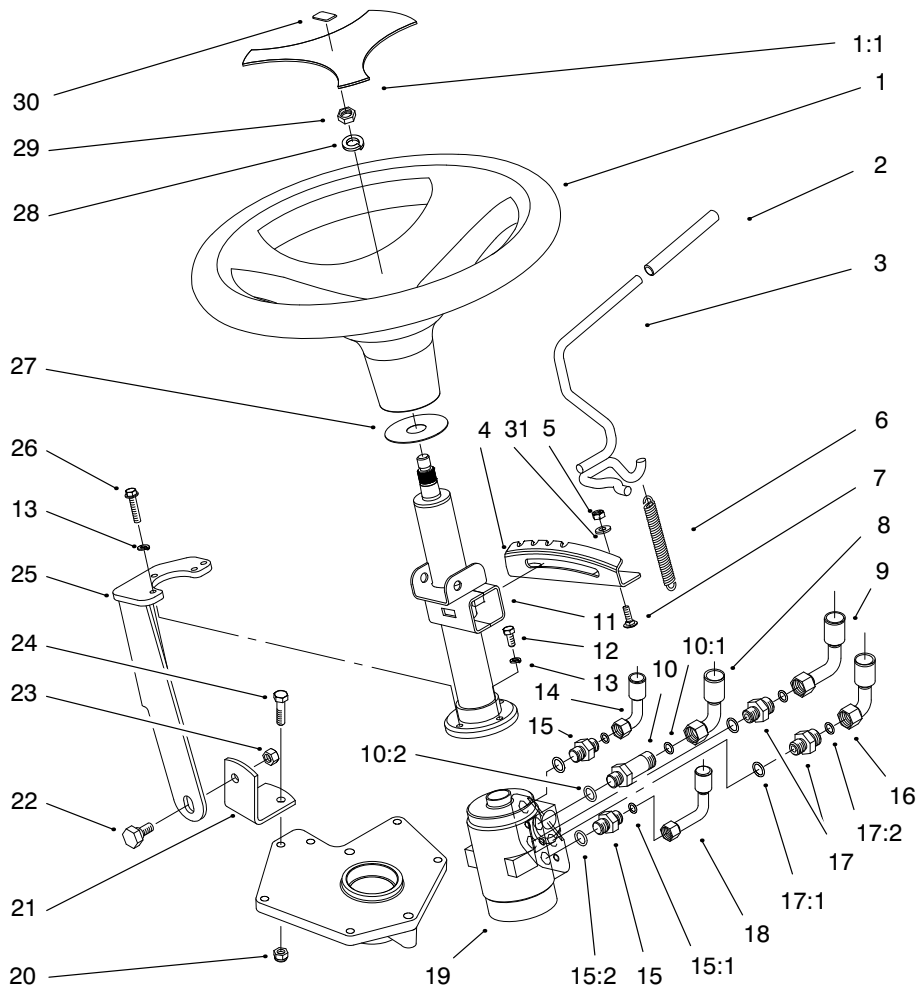
Ref. No.	Part No.	Qty.	Description
27	3256-24	2	Washer-Flat
28	94-2233	2	Spacer
29	94-2475	1	Rod-Spacer
30	98-1629	2	Washer
31	9038	1	Grip
32	3230-2	2	Screw-CARR
33	94-7855-03	1	Mid Bracket ASM
34	3296-29	2	Nut-Lock
35	94-2250-03	1	Latch ASM
36	108881	6	Nut-Hex



Sheet No.:8

## Lower Power Steering Assembly

Ref. No.	Part No.	Qty.	Description	Ref. No.	Part No.	Qty.	Description
1	323-7	2	Screw-HH	21:2	237-21	2	O-Ring
2	108881	1	Nut-Hex	22	94-7946	1	Hose ASM
3	95-3965	1	Cylinder-Hydraulic	23	94-7947	1	Hose ASM
4	94-7976	1	Screw-HH	25	94-7907	1	Spacer
5	98-3087	1	Washer-Power Steering	26	323-8	1	Screw-HH
6	3296-39	4	Nut-Lock	27	98-2358	1	Clamp-R
7	94-7819	2	Spacer-Stop				
8	251-82	2	Bearing-Ball				
9	94-2219	1	Spacer				
10	94-7581	1	Housing-Power Steering				
11	94-7820-03	1	Plate-Power Steering				
12	323-15	1	Screw-HH				
13	94-2142-03	1	Arm-Lower				
14	3256-42	1	Washer-Flat				
15	323-10	1	Screw-HH				
16	3296-29	4	Nut-Lock				
17	322-6	4	Screw-HH				
18	94-7556	1	Arm-Upper				
19	2844	1	Washer-Flat				
20	98-3052	1	Screw-Thread Locking				
21	95-4136	2	Fitting-Hydraulic 45 DEG				
21:1	237-42	2	O-Ring				



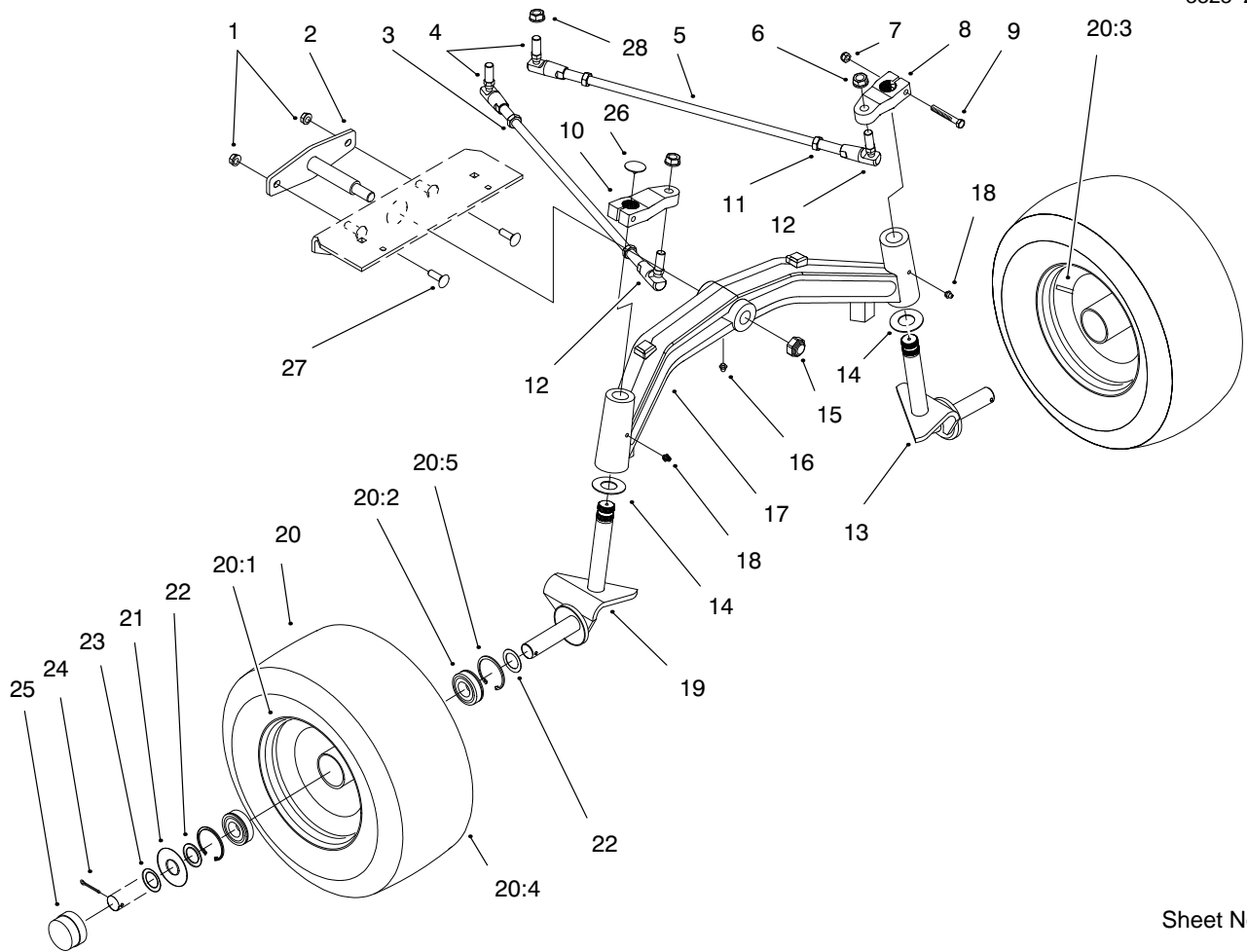
Sheet No.:9

## Power Steering & Tilt Assembly

Ref. No.	Part No.	Qty.	Description
1	98-1474	1	Steering Wheel ASM
1:1	98-7211	1	Cover ASM (Incl. Ref. #30)
2	92-6798	1	Cap-Rod
3	95-3964	1	Lever-Tilt
4	94-2382	1	Bracket
5	3296-42	2	Nut-Lock
6	95-3805	1	Spring
7	3229-1	2	Bolt-CARR
8	94-7947	1	Hose ASM
9	94-7949	1	Hose ASM
10	95-4137	1	Fitting-Hydraulic Long
10:1	237-42	1	O-Ring
10:2	237-22	1	O-Ring
11	94-2451	1	Power Column ASM
12	33103-020	1	Screw-HHF
13	48-8020	4	Washer-Lock
14	94-7948	1	Hose ASM
15	95-4139	2	Fitting-Hydraulic Straight
15:1	237-42	2	O-Ring
15:2	237-21	2	O-Ring
16	95-3807	1	Hose ASM
17	95-4138	2	Fitting-Hydraulic
17:1	237-22	2	O-Ring
17:2	237-42	2	O-Ring

Ref. No.	Part No.	Qty.	Description
18	94-7946	1	Hose ASM
19	94-7567	1	Control Unit
20	3296-29	2	Nut-Lock
21	94-7599-03	1	Bracket-Pivot
22	94-7582	1	Bolt-Shoulder
23	108881	1	Nut-Hex
24	322-6	2	Screw-HH
25	94-7521-03	1	Power Steering Pivot
26	33103-025	3	Screw-HHF
27	94-2025	1	Washer-Boot
28	69-8420	1	Lockwasher
29	95-4182	1	Nut-HH Jam
30	98-1459	1	Decal
31	3256-22	2	Washer-Flat
*32	614249	2	Tie Strap

\* Not illustrated



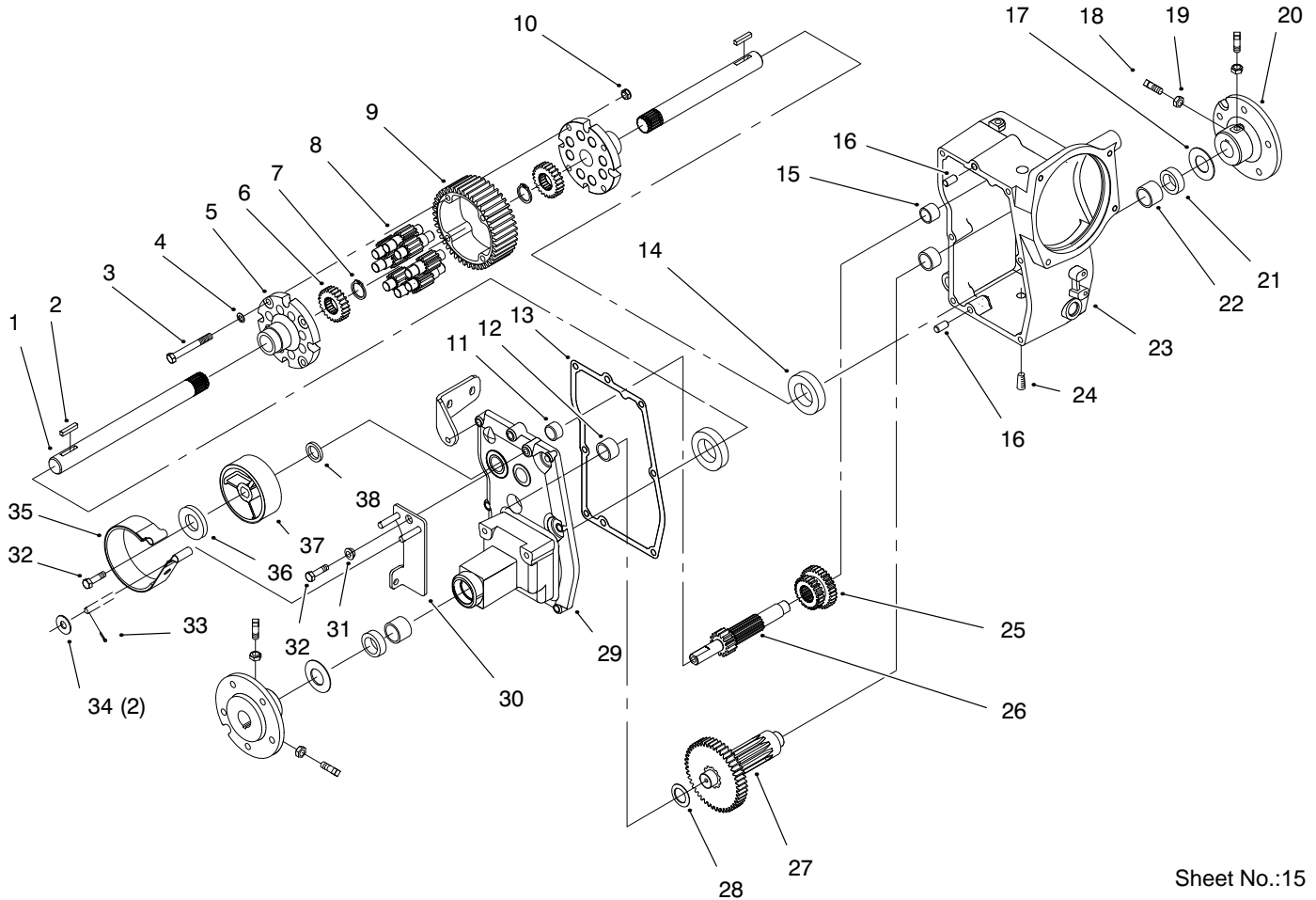
Sheet No.:14

## Tie Rods, Spindle, & Front Axle Assembly

Ref. No.	Part No.	Qty.	Description
1	3296-39	2	Nut-Lock
2	94-2205-03	1	Pivot Pin
3	3220-5	2	Nut-Hex
4	94-7539	2	Balljoint-LH Thread
5	94-2212	2	Rod-Steering
6	98-8088	2	Nut-Lock
7	3296-29	2	Nut-Lock
8	94-2197	1	Arm-LH Steering
9	322-32	2	Screw-HH
10	94-2196	1	Arm-RH Steering
11	3220-12	2	Nut-Hex
12	98-8086	2	Balljoint-RH Thread
13	94-7537-03	1	LH Spindle
14	9548	2	Washer-Thrust
15	3296-61	1	Nut-Hex
16	302-11	1	Fitting-Grease
17	94-7568-03	1	Axle-Front
18	302-5	2	Fitting-Grease
19	94-7536-03	1	RH Spindle
20	94-7542	2	Wheel & Tire ASM (Only On: 73550)
20	95-4084	2	Wheel & Tire ASM (Only On: 73551)
20:1	94-7541	2	Wheel
20:2	94-7538	4	Bearing ASM (Incl. Ref. #20:5)

Ref. No.	Part No.	Qty.	Description
20:3	5108	2	Valve-Tire Tubeless
20:4	94-2191	2	Tire (Only On: 73550)
20:4	95-4085	2	Tire (Only On: 73551)
20:5	94-2053	4	Snap Ring
21	95-4060	2	Washer-Wheel
22	9202514	4	Washer-Flat
23	9202524	A/R	Washer
24	3272-18	2	Pin-Cotter
25	94-7871	2	Cap-Dust
26	98-1642	2	Cap-Spindle
27	3231-25	2	Screw-CARR
28	98-8089	2	Nut-Lock
*	112819	2	Tube Inner

\*Not illustrated

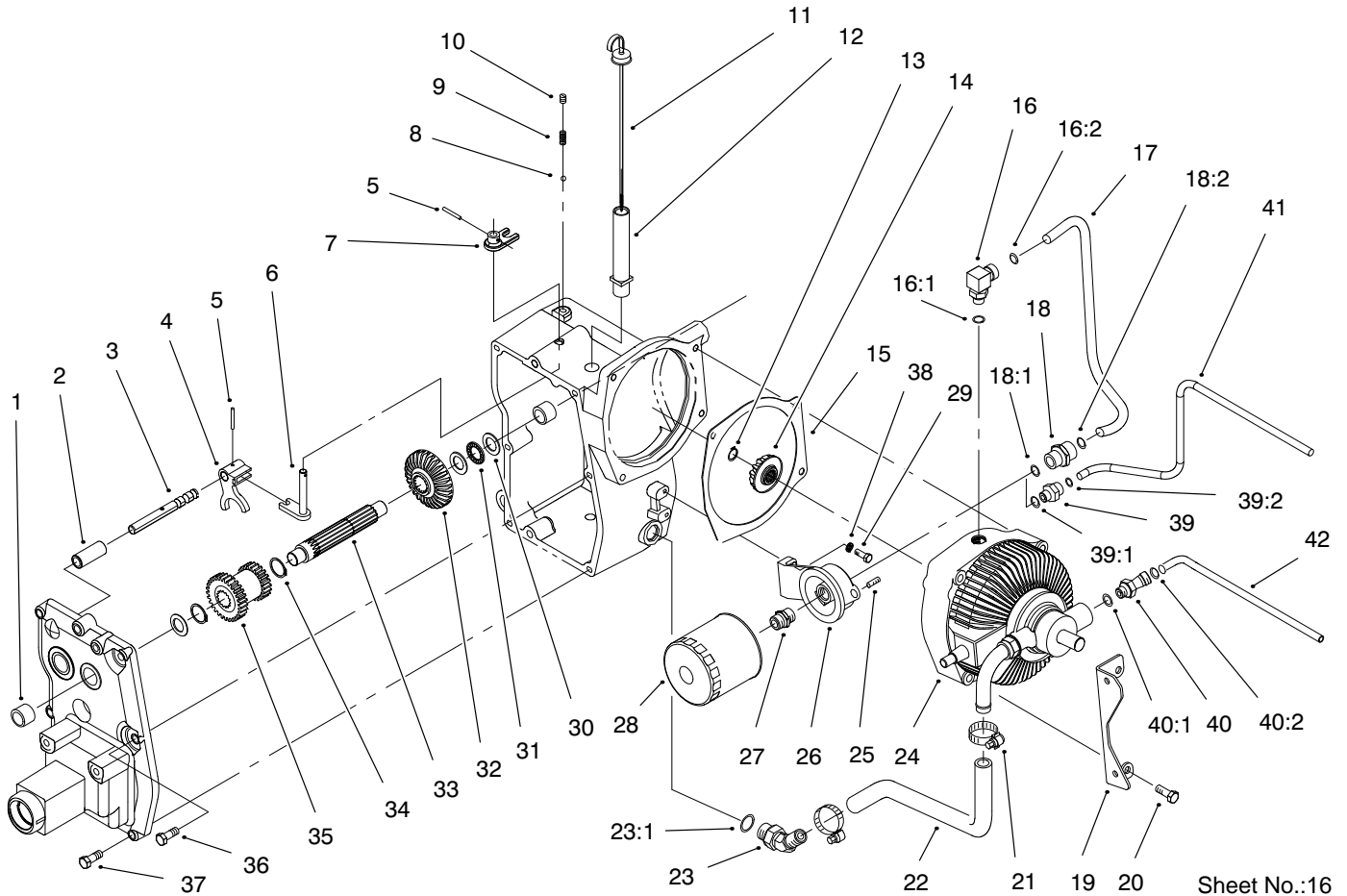


Sheet No.:15

## Hydro Trans Axle Assembly

Ref. No.	Part No.	Qty.	Description
1	79-3340	2	Axle-Rear
2	79-3370	2	Key-Square
3	911423	4	Screw-HH
4	107374	4	Washer-Flat
5	111196	2	Cap-End
6	101889	2	Gear-Axle
7	105876	2	Ring-Retaining
8	101623	8	Gear-Pinion
9	105061	1	Gear-Differential
10	108881	4	Nut-Hex
11	1540	1	Bearing-Needle
12	94-2021	2	Bearing-Needle
13	94-2022	1	Gasket-Transaxle
14	111199	2	Bearing-Ball
15	1529	1	Bearing-Needle
16	108363	2	Pin-Locating
17	106826	2	Washer-Thrust
18	3243-5	4	Screw-Set
19	3218-3	4	Nut-HJ
20	105763-03	2	Hub-Wheel
21	6449	2	Seal-Oil
22	9416	2	Bearing-Needle
23	94-2001-03	1	Case-Transaxle
24	281-10	1	Plug-Pipe
25	94-2008	1	Gear-Sliding
26	94-2007	1	Shaft-Brake

Ref. No.	Part No.	Qty.	Description
27	94-2006	1	M-Gear
28	9547	1	Washer-Thrust
29	94-2002-03	1	Case-Transaxle
30	94-2019-03	1	Arm-Brake Pivot
31	100309	1	Bushing-Cam Pivot
32	3235-22	2	Screw-HH
33	3272-6	2	Pin-Cotter
34	3256-24	2	Washer-Flat
35	94-2419	1	Brake Band
36	2844	1	Washer-Flat
37	94-2009	1	Drum-Brake
38	253-44	1	Seal-Oil



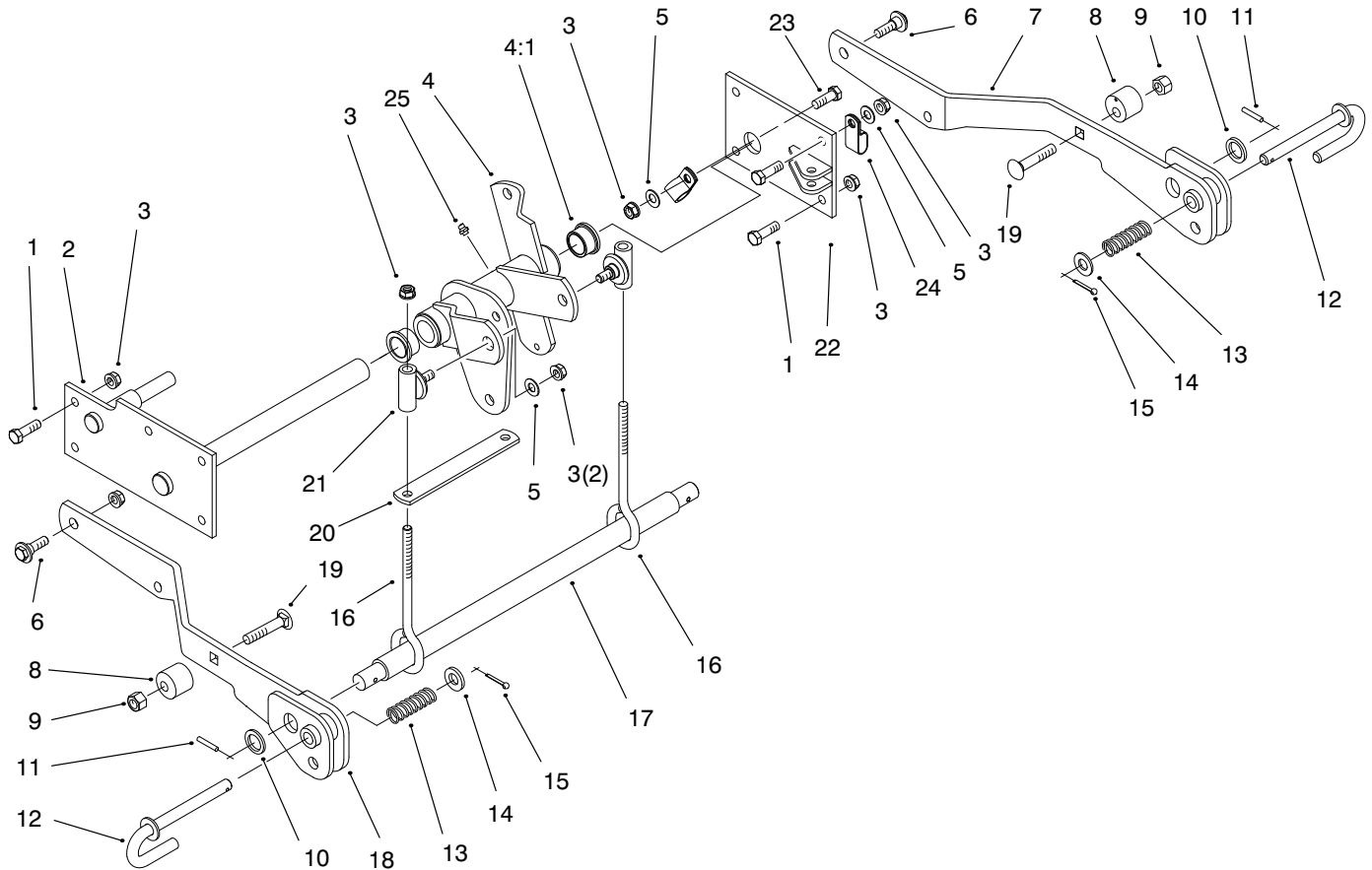
Sheet No.:16

## Hydro Trans Axle Assembly (Continued)

Ref. No.	Part No.	Qty.	Description
1	1529	2	Bearing-Needle
2	94-2014	1	Tube-Shifter Rail
3	94-2054	1	Rail-Shift
4	94-2015	1	Fork-Hi Lo Shift
5	933154	2	Pin-Spirol
6	94-2143	1	Arm-Shifter
7	94-7510	1	Arm-Hi Lo
8	3517	1	Ball
9	94-2024	1	Spring-Shift
10	3247-2	1	Screw-Set
11	94-7680-03	1	Dipstick
12	94-7559	1	Tube-Dipstick
13	32120-64	1	Ring-Retaining
14	94-7565	1	Pinion-Bevel
15	702062	1	Gasket-Pump & Motor
16	94-7693	1	Fitting-Hydraulic
16:1	237-42	1	O-Ring
16:2	237-30	1	O-Ring
17	94-7969	1	Tube-Hydraulic
18	94-7694	1	Fitting-Hydraulic
18:1	237-42	1	O-Ring
18:2	237-30	1	O-Ring
19	94-2148-03	1	Plate-Support Bracket
20	323-13	4	Screw-HH
21	2412-141	2	Clamp-Hose
22	95-4133	1	Hose-Suction

Ref. No.	Part No.	Qty.	Description
23	94-7692	1	Fitting-Hose
23:1	237-80	1	O-Ring
24	94-2003	1	Transmission
25	281-10	1	Plug-Pipe
26	108323	1	Base-Filter
27	5991	1	Fitting-Filter
28	79-5270	1	Filter-Oil
29	321-5	2	Screw-HH
30	1535	3	Washer-Thrust
31	8571	1	Bearing-Needle
32	94-7566	1	Gear-Bevel
33	94-2010	1	Shaft-Input
34	32151-29	2	Ring-Ext. Snap
35	94-2011	1	Gear-Hi Lo
36	323-9	3	Screw-HH
37	323-8	2	Screw-HH
38	3253-3	2	Washer-Lock
39	95-4138	1	Fitting-Hydraulic
39:1	237-22	1	O-Ring
39:2	237-42	1	O-Ring
40	95-4135	1	Fitting-Hydraulic 45
40:1	237-42	1	O-Ring
40:2	237-22	1	O-Ring
41	94-7970	1	Tube-Hydraulic
42	94-7971	1	Tube-Hydraulic



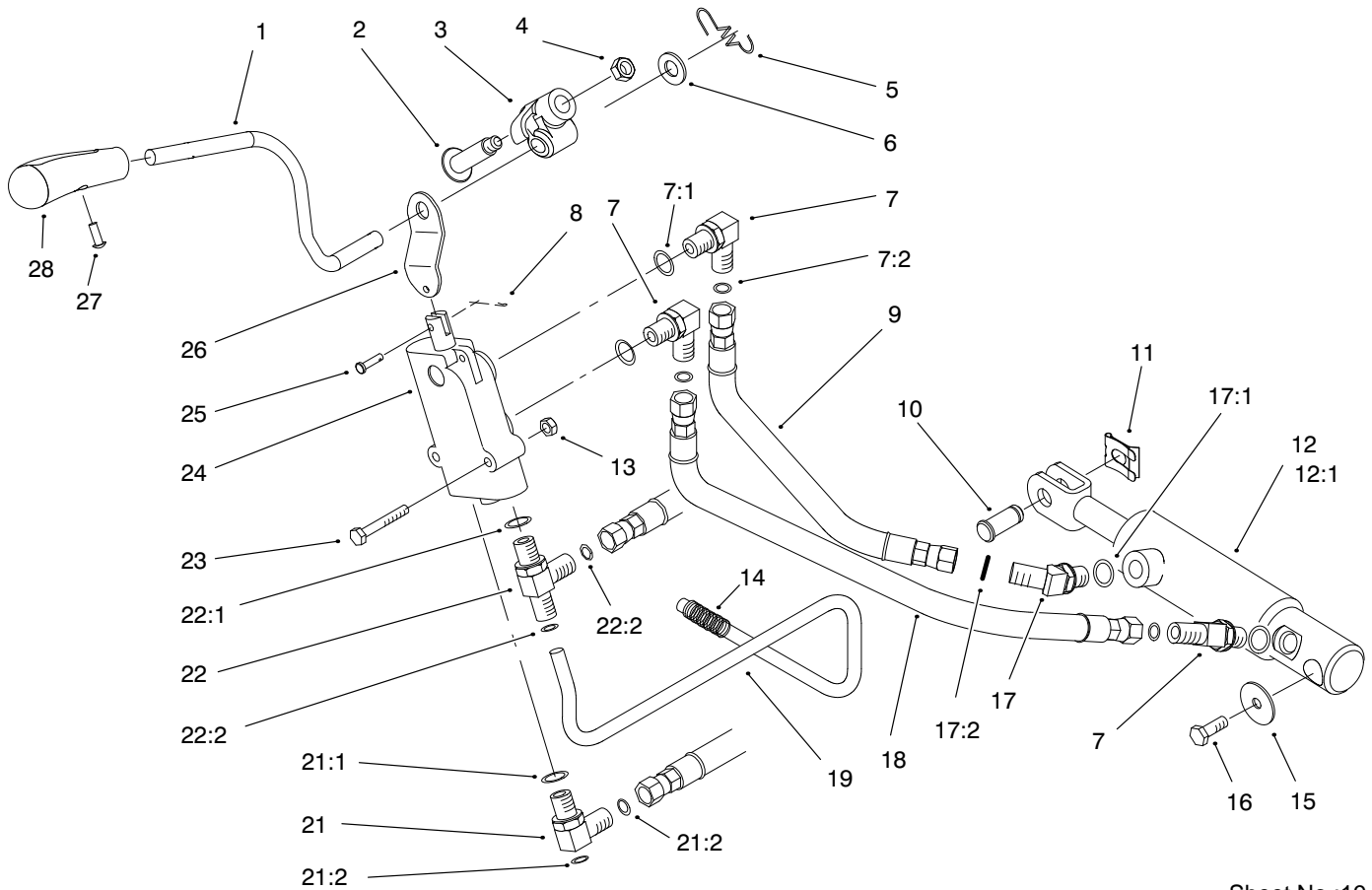


Sheet No.:18

### Hydro Lift Lower Assembly

Ref. No.	Part No.	Qty.	Description
1	323-7	5	Screw-HH
2	94-2263-03	1	Support-Deck Lift
3	3296-39	15	Nut-Lock
4	98-3582	1	Bellcrank & Bushing ASM
4:1	94-7574	2	Bushing-Flanged
5	3256-24	4	Washer-Flat
6	614672	2	Bolt-Shoulder
7	94-2279-03	1	Lift Arm ASM-LH
8	94-2411	2	Stop-Lift Adj.
9	3296-48	2	Nut-Lock
10	3256-28	2	Washer-Flat
11	32121-79	2	Roll Pin
12	94-2301	2	J Pin
13	95-4256	2	Spring-Compression
14	3256-26	2	Washer-Flat
15	3272-10	2	Pin-Cotter
16	94-2262	2	Rod-Lift
17	94-2277-03	1	Bar-Lift
18	94-2278-03	1	Lift Arm ASM-RH
19	3232-5	2	Screw-CARR
20	94-7600-03	1	Spacer-Strap
21	94-2260	2	Lift Sleeve ASM
22	94-2266-03	1	Support-Cylinder
23	323-18	4	Screw-HH

Ref. No.	Part No.	Qty.	Description
24	98-1617	1	Clamp-Tube
25	302-5	1	Fitting-Grease



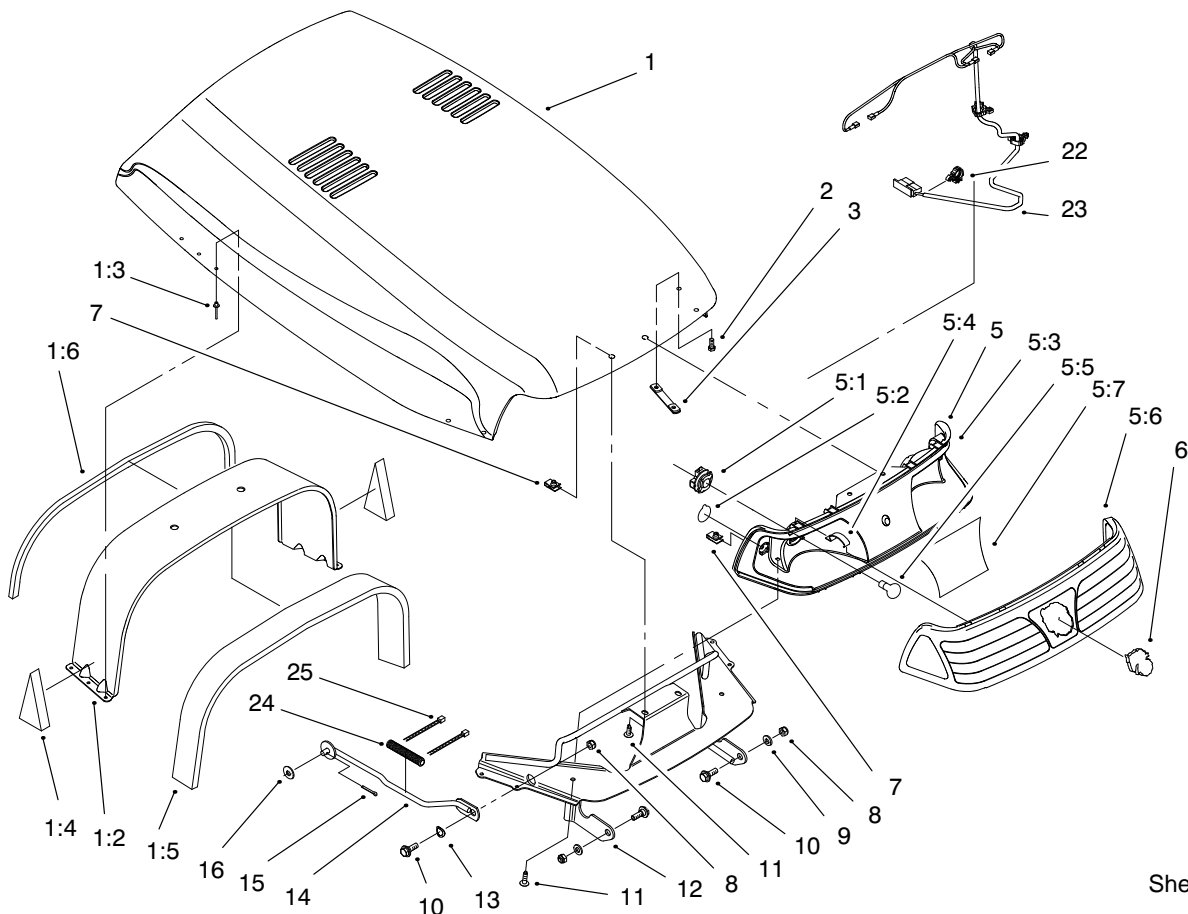
Sheet No.:19

## Hydro Lift Upper Assembly

Ref. No.	Part No.	Qty.	Description
1	94-7714	1	Handle-Lift
2	92-1099	1	Bolt-Shoulder
3	95-4168	1	Trunnion-Lift Lever
4	610358	1	Nut-Lock
5	95-4221	1	Spring-Ext. Lift
6	95-4235	1	Washer
7	95-4141	3	Fitting-Hydraulic 90 DEG
7:1	237-42	3	O-Ring
7:2	237-21	3	O-Ring
8	3272-1	1	Pin-Cotter
9	94-7945	1	Hose ASM
10	98-1639	1	Pin-Clevis
11	95-4064	1	Clip-Pin
12	94-2300	1	Lift Cylinder ASM
*12:1	95-4007	1	Seal Kit
13	3296-42	2	Nut-Lock
14	95-4258	2	Cover-Brace
15	3256-57	1	Washer-Flat
16	95-4245	1	Screw-Thread Locking
17	95-4136	1	Fitting-Hydraulic 45 DEG
17:1	237-42	1	O-Ring
17:2	237-21	1	O-Ring
18	94-7944	1	Hose ASM

Ref. No.	Part No.	Qty.	Description
19	94-7970	1	Tube-Hydraulic
21	95-4140	1	Fitting-Hydraulic 90 DEG.
21:1	237-42	1	O-Ring
21:2	237-22	1	O-Ring
22	95-4134	1	Fitting-Hydraulic Tee
22:1	237-42	1	O-Ring
22:2	237-22	2	O-Ring
23	321-10	2	Screw-HH
24	95-4019	1	Valve-Hydraulic
25	283-16	1	Pin-Clevis
26	98-1620	1	Link-Lift
27	95-4236	1	Tscrew-PPH
28	94-2100	1	Knob-Lift (Only On: 73550)
28	95-4106	1	Knob-Lift (Only On: 73551)

\* Not illustrated



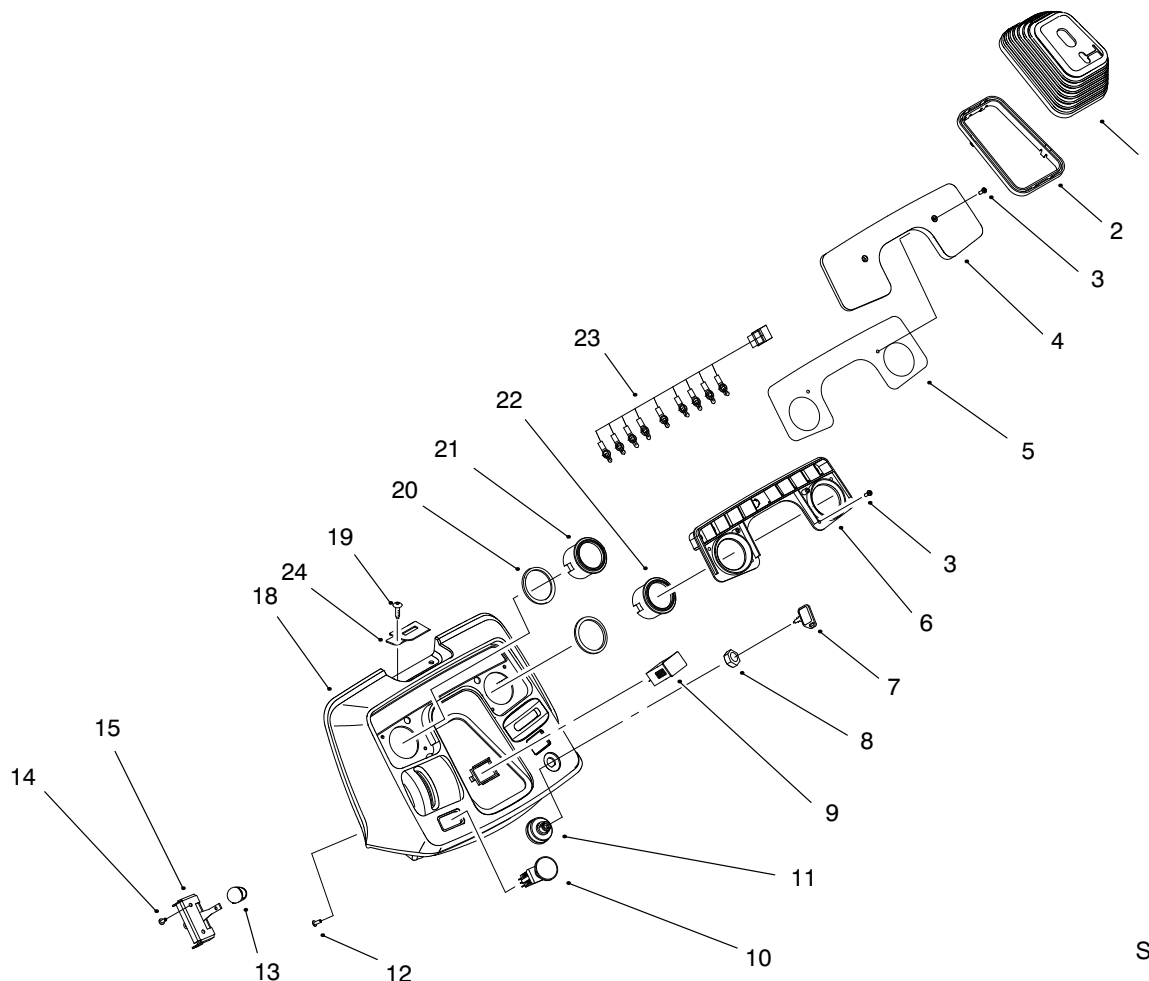
Sheet No.:20

## Hood & Headlight Assembly

Ref. No.	Part No.	Qty.	Description
1	98-7205	1	Hood ASM
1:2	98-7204	1	Rear Bulkhead ASM
1:3	3269-12	6	Rivet-Pop
1:4	95-4259	2	Foam-Lower Bulkhead
1:5	95-4078	1	Foam Seal-Rear Bulkhead
1:6	95-4233	1	Foam-Bulkhead/Hood
2	3274-31	4	Screw-HH
3	95-4197	2	Nut Plate
5	95-4166	1	Headlight ASM
5:1	98-3591	2	Socket
5:2	98-1602	2	Decal-Sidelight
5:3	98-7210	1	Reflector ASM
5:4	95-4129	4	Clip
5:5	7228	2	Bulb-Light
5:6	94-2099	1	Lens-Headlight
5:7	98-3597	1	Decal-Headlight Reflector
6	95-4248	1	Logo-Headlight
7	107069	4	Nut-Panel
8	3296-29	3	Nut-Lock
9	3256-23	2	Washer-Flat
10	27-0410	3	Bolt-Shoulder
11	92-7020	4	Screw-TTH
12	95-3800-03	1	Front Bulkhead

Ref. No.	Part No.	Qty.	Description
13	98-1649	1	Washer-Spring
14	95-4070-03	1	Hood Support Rod
15	3272-10	1	Pin-Cotter
16	98-3051	1	Washer-Plastic
22	98-1810	1	Clip;Convuluted
23	95-0691	1	Harness-Wire
24	98-3595	1	Shield-Support Rod
25	614249	2	Tie Strap



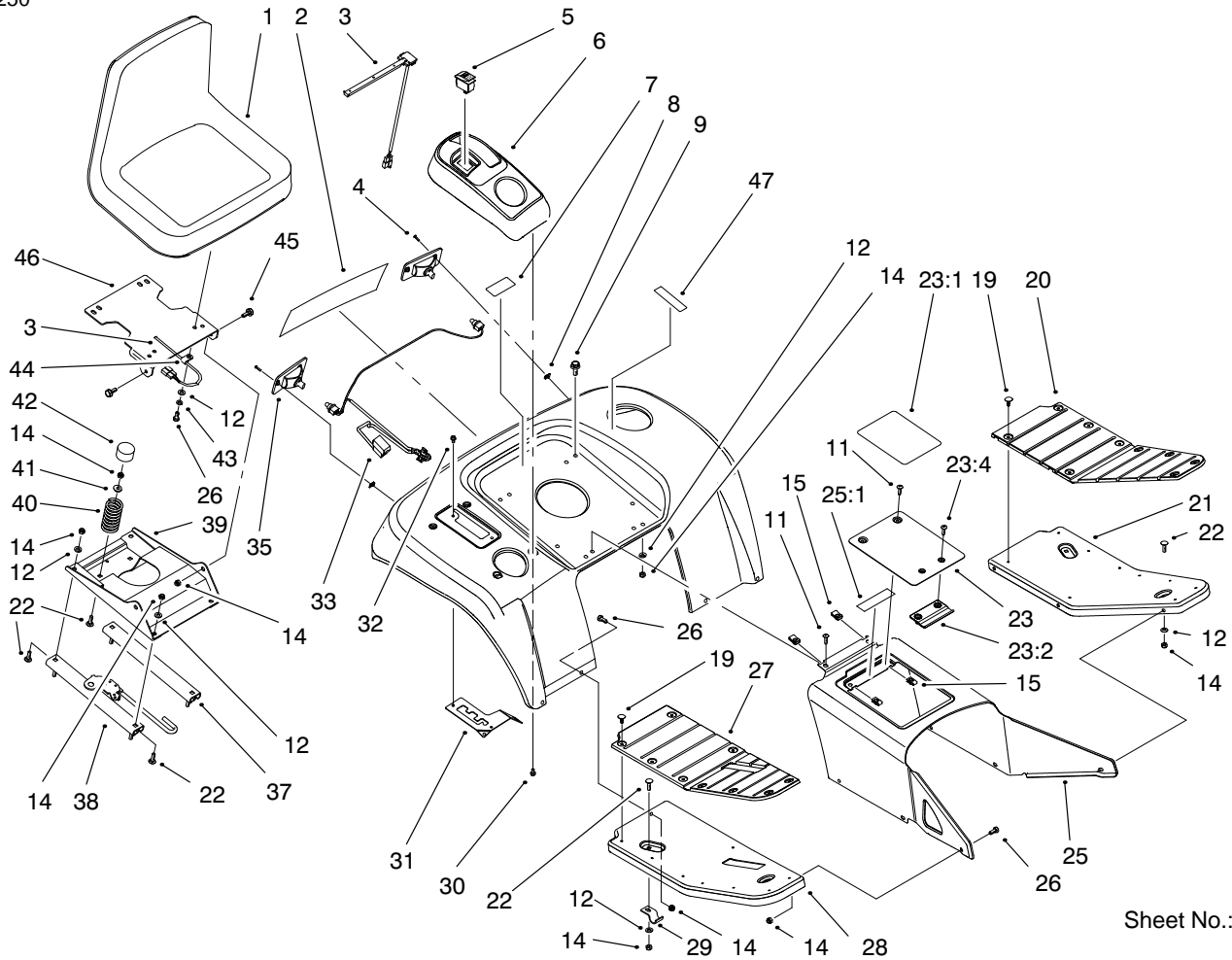


Sheet No.:22

### Dash Assembly

Ref. No.	Part No.	Qty.	Description
1	94-2102	1	Boot-Steering
2	95-3844	1	Retainer-Boot
3	95-4234	6	Screw-Pan Hd
4	95-3842	1	Lens-Dash
5	95-4074	1	Decal-Dash Lens
6	95-3843	1	Housing-Light
7	62-7770	1	Key-Ignition
8	700919	1	Nut
9	94-4208	1	Hourmeter
10	95-7489	1	Switch-PTO
11	92-6785	1	Switch-Ignition
12	95-4236	2	Tscrew-PPH
13	94-2121	1	Knob-Throttle
14	32144-32	2	Screw-Plastic
15	95-4226	1	ASM-Control Throttle
18	95-3967	1	Dash-Diesel
19	92-7020	4	Screw-TTH
20	95-4238	2	Gasket-Foam
21	94-7618	1	Water Temp. Gauge
22	95-3830	1	Gauge-Fuel
23	94-7610	1	Harness-8 Light
24	95-4287	1	Guard-Latch (Only On: 73551)

Ref. No.	Part No.	Qty.	Description



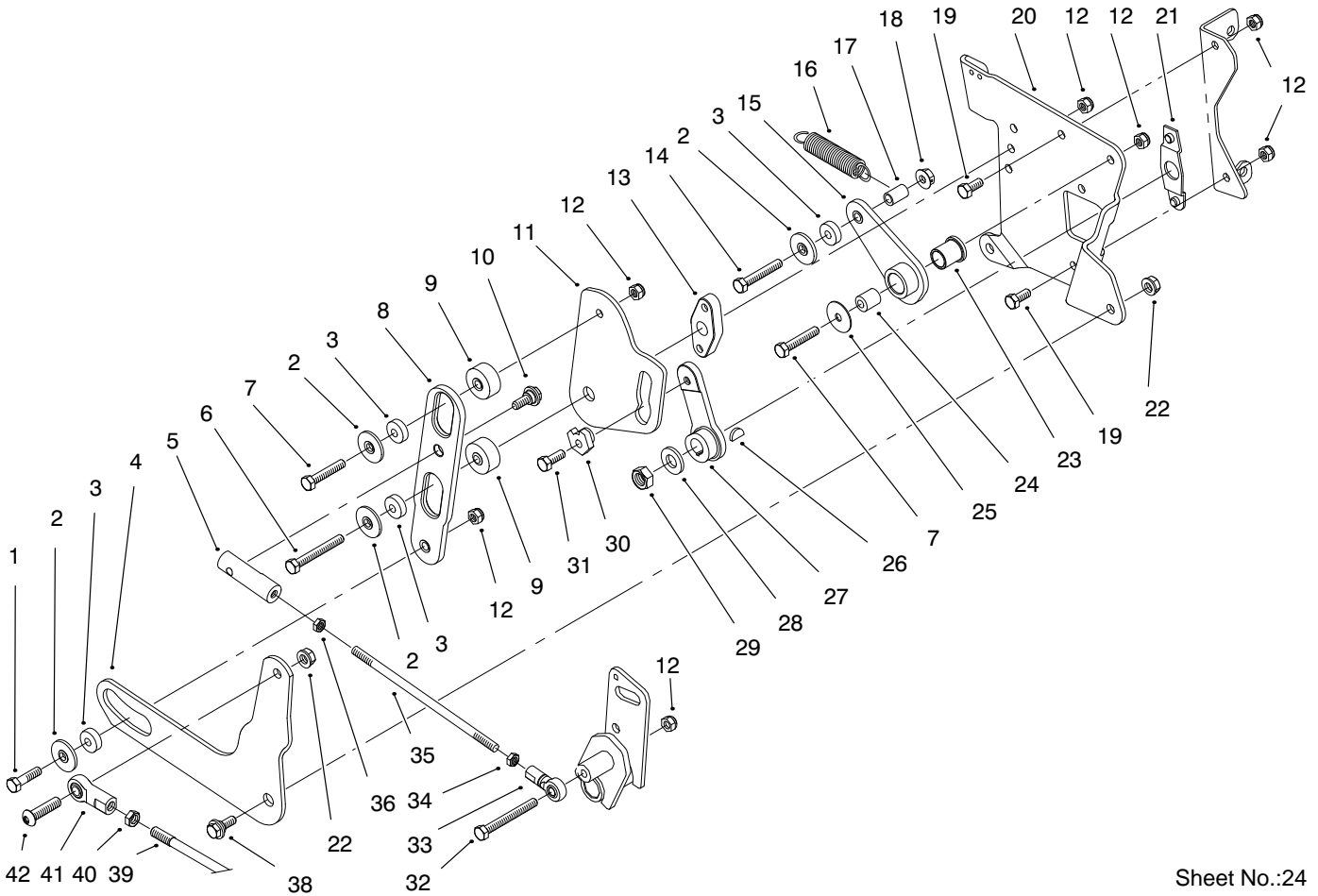
Sheet No.:23

## Fender, Footrest, & Seat Assembly

Ref. No.	Part No.	Qty.	Description
1	94-3518	1	Seat V-811
2	95-4262	1	Decal-Fender
3	38-1420	1	Switch-Seat
4	3250-29	4	Screw
5	94-7602	1	Switch Cruise
6	94-2120	1	Pod-Control (Only On: 73550)
6	95-4000	1	Pod-Control (Only On: 73551)
7	76-1340	1	Decal-USA (Only On: 73550)
8	95-4115	4	Nut-Speed
9	3234-29	4	Screw-HHF
11	92-7020	4	Screw-TTH
12	3256-23	17	Washer-Flat
14	3296-29	27	Nut-Lock
15	107069	4	Nut-Panel
19	3290-479	18	Fastener-Panel
20	94-2096	1	Pad-Footerest
21	94-2090-01	1	Footrest
22	3230-16	10	Screw-CARR
23	98-1621	1	Tunnel Cover ASM (Only On: 73550)
23	98-1623	1	Tunnel Cover ASM (Only On: 73551)

Ref. No.	Part No.	Qty.	Description
23:1	95-4263	1	Decal-Danger (Only On: 73550)
23:1	98-1608	1	Decal-Danger (Only On: 73551)
23:2	95-4107	1	Retainer-Cover
23:4	94-4496	2	Screw
25	98-5025-01	1	Tunnel ASM (Only On: 73550)
25	98-5058-01	1	Tunnel ASM (Only On: 73551)
25:1	80-8760	1	Decal-Danger (Only On: 73550)
25:1	98-5015	1	Decal-Warning (Only On: 73551)
26	322-3	14	Screw-HH
27	94-2095	1	Pad-Footerest
28	94-2089-01	1	Footrest
29	95-3858	2	Bracket-Footerest
30	32144-20	4	Screw
31	94-7512-03	1	Gate-Hi Lo Shift
32	32144-4	2	Screw-TAP
33	94-7611	1	Harness-Rear
35	94-2124	2	Lamp-Taillight
37	94-2112	1	Slide-Seat
38	94-2177	1	Seat Slide-Latch
39	94-2107-03	1	Base-Seat





Sheet No.:24

## Slow In Turns Rear Assembly

Ref. No.	Part No.	Qty.	Description
1	322-6	1	Screw-HH
2	94-2313	4	Retainer-Bearing
3	95-4185	4	Bearing-Ball
4	95-3801-03	1	Slider Lift
5	94-7637	1	Rod End RH
6	322-12	1	Screw HH
7	322-9	2	Screw-HH
8	94-2144	1	Slider-Speed Control
9	94-2169	2	Standoff-Cam
10	94-7817	1	Bolt-Shoulder
11	94-2145	1	Plate-Cam
12	3296-29	7	Nut-Lock
13	94-2168	1	Standoff-Slider
14	322-10	1	Screw-HH
15	94-7586	1	Arm-Return To Neutral
16	63-1590	1	Spring-Extension
17	94-2309	1	Standoff-Spring
18	32128-30	1	Nut-Flange
19	322-3	2	Screw-HH
20	94-2149-03	1	Plate-Control
21	94-7814	1	Locater-Control Plate
22	108881	2	Nut-Hex
23	94-7913	1	Bushing-Flange
24	94-7564	1	Spacer
25	3256-57	1	Washer-Flat

Ref. No.	Part No.	Qty.	Description
26	3257-24	1	Key-Woodruff
27	94-7816	1	Arm-Speed Control
28	3256-26	1	Washer-Flat
29	3296-45	1	Nut
30	94-2468	1	Cam-Eccentric
31	95-4245	1	Screw-Thread Locking
32	322-13	1	Screw-HH
33	94-7571	1	Rod End LH
34	3220-20	1	Nut-Hex Jam
35	94-2497	1	Rod-Slider To Pivot
36	3220-2	1	Nut-Jam
38	94-7582	1	Bolt-Shoulder
39	94-7500	1	Rod-Lift Lever
40	3220-3	1	Nut-Hex Jam
41	92-7008	1	Rod End
42	95-3857	1	Screw-Button Head



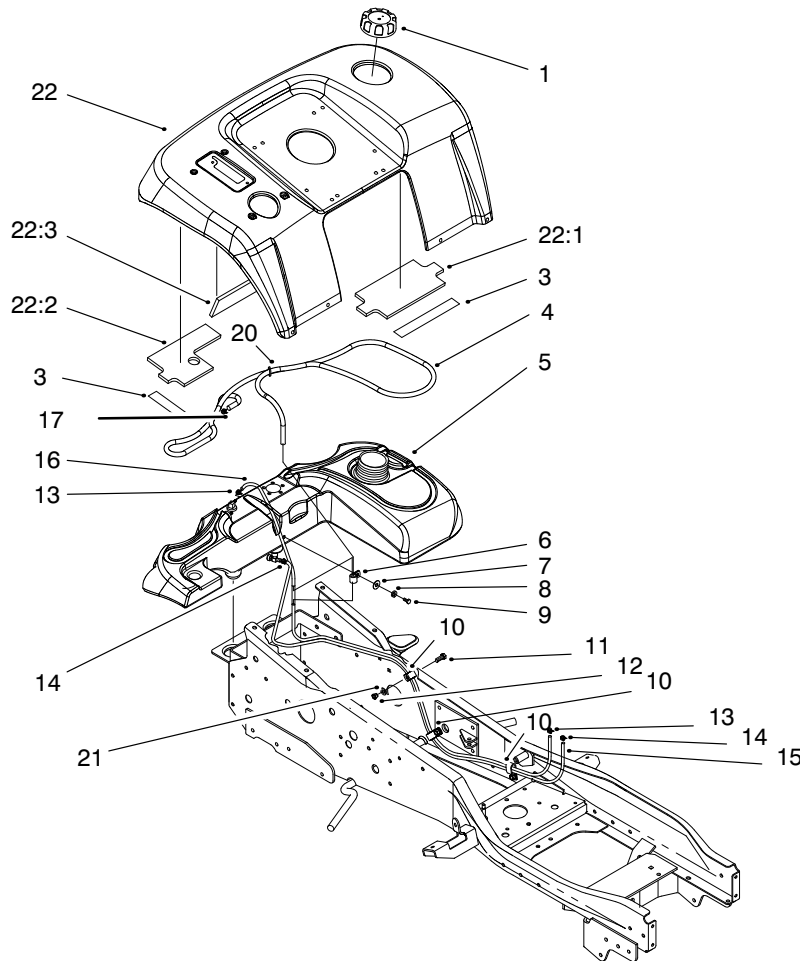












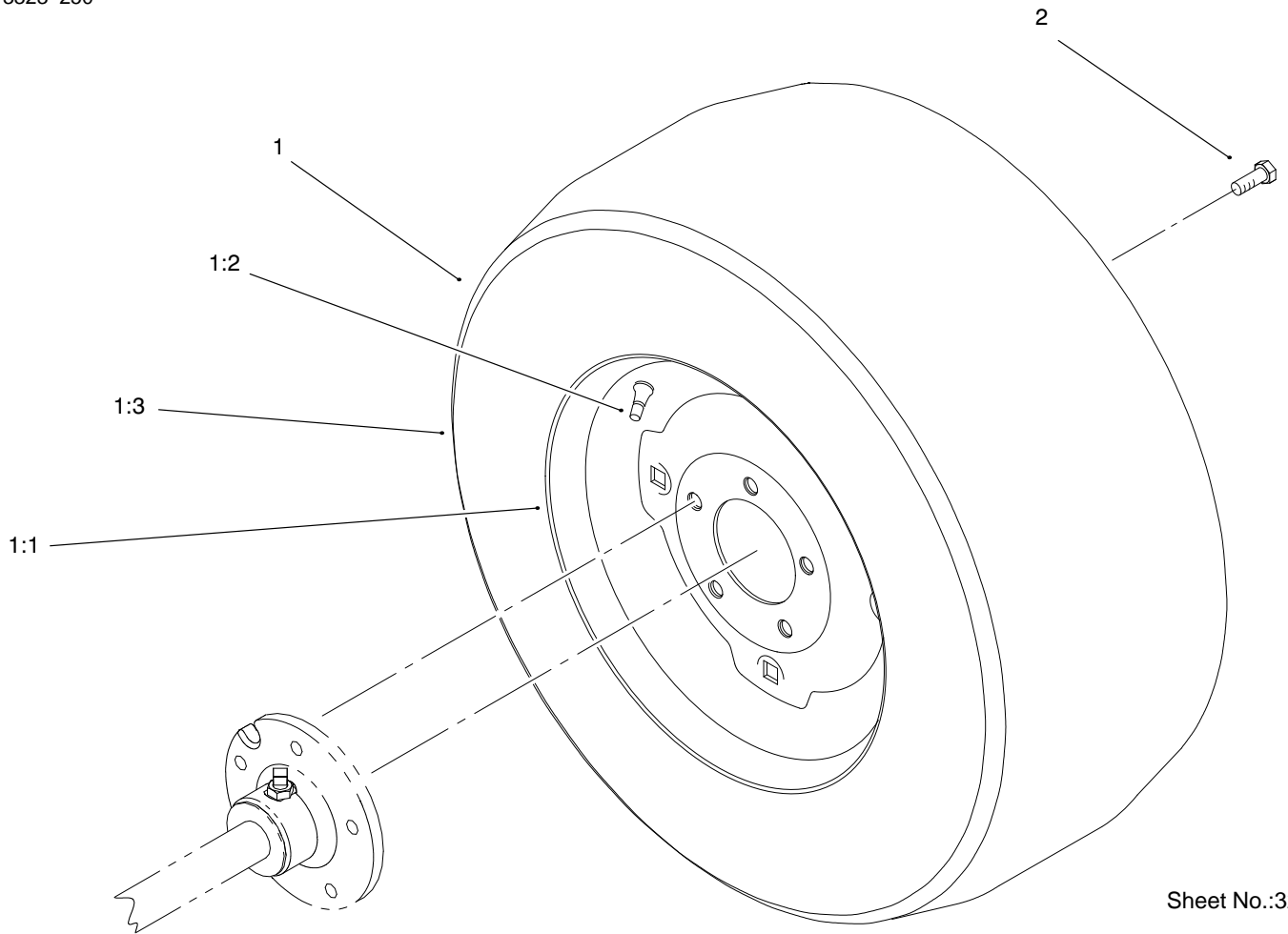
Sheet No.:31

## Fuel System Assembly

Ref. No.	Part No.	Qty.	Description
1	95-4193	1	Gas Cap ASM-Diesel
3		1	Tape
4	95-4186	1	Hose-Vent
5	95-4006	1	Tank-Diesel
*5:1	98-3050	1	Fitting Orifice
*5:2	95-3970	1	Fitting-90 DEG
*5:3	104047	2	Bushing
*5:4	99-3717	1	Fitting-Fuel Shut Off
*5:5	2412-36	1	Clamp
*5:6	95-3971	1	Sender-Fuel level
*5:7	99-2326	1	Gasket-Fuel Sender
*5:8	3250-31	5	Screw
*5:9	3253-17	5	Lockwasher
*5:10	98-7390	1	Gage
6	95-4187	1	Clamp-Tube
7	3256-22	1	Washer-Flat
8	3253-3	1	Washer-Lock
9	321-3	1	Screw-HH
10	98-1617	3	Clamp-Tube
11	323-6	1	Screw-HH
12	3296-39	1	Nut-Lock
13	2412-98	2	Clamp-Hose
14	2412-108	2	Clamp-Hose
15	95-4278	1	Hose-Fuel
16	741-0556	75.5	Hose-.25 Id X .50 Od
16	95-4280	1	Hose-Fuel

Ref. No.	Part No.	Qty.	Description
17	94-8189	1	Clamp-Hose
20	614249	1	Tie Strap
21	3256-24	1	Washer-Flat
22	98-7208	1	Rear Body ASM
22:1	95-4159	1	Foam-Tank LH
22:2	95-4158	1	Foam-Tank RH
22:3	95-4157	1	Foam-Tank Center

\* Not Illustrated

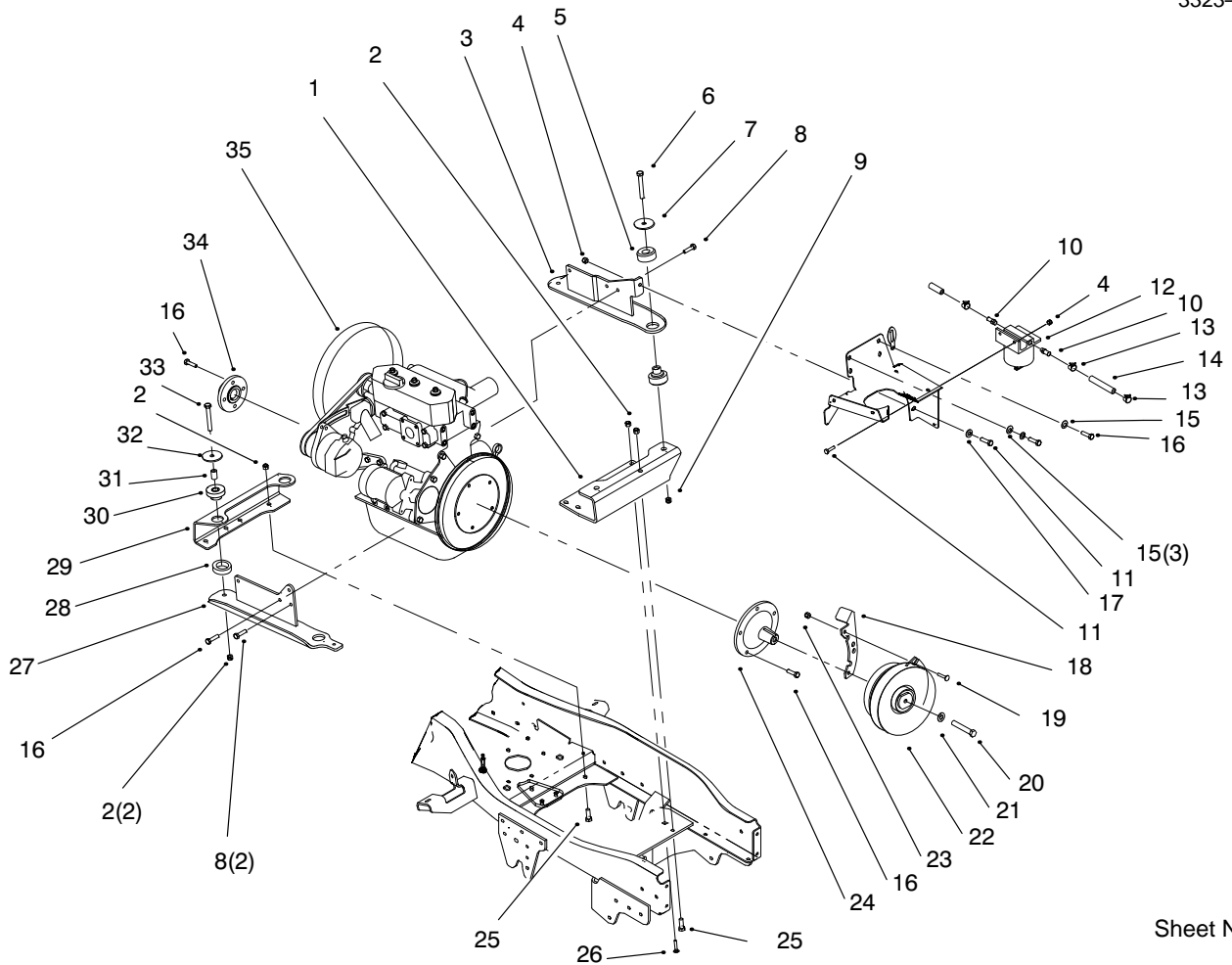


### Wheel Assembly

Ref. No.	Part No.	Qty.	Description
1	94-2194	2	Rear Wheel & Tire ASM (Only On: 73550)
1	95-4086	2	Rear Wheel & Tire ASM (Only On: 73551)
1:1	94-2193	2	Tire (Only On: 73550)
1:1	95-4087	2	Tire (Only On: 73551)
1:2	5108	2	Valve-Tire Tubeless
1:3	110680	2	Wheel
2	83-2720	10	Bolt-Lug
*	7007	2	Tube-Inner

Ref. No.	Part No.	Qty.	Description

\*Not illustrated

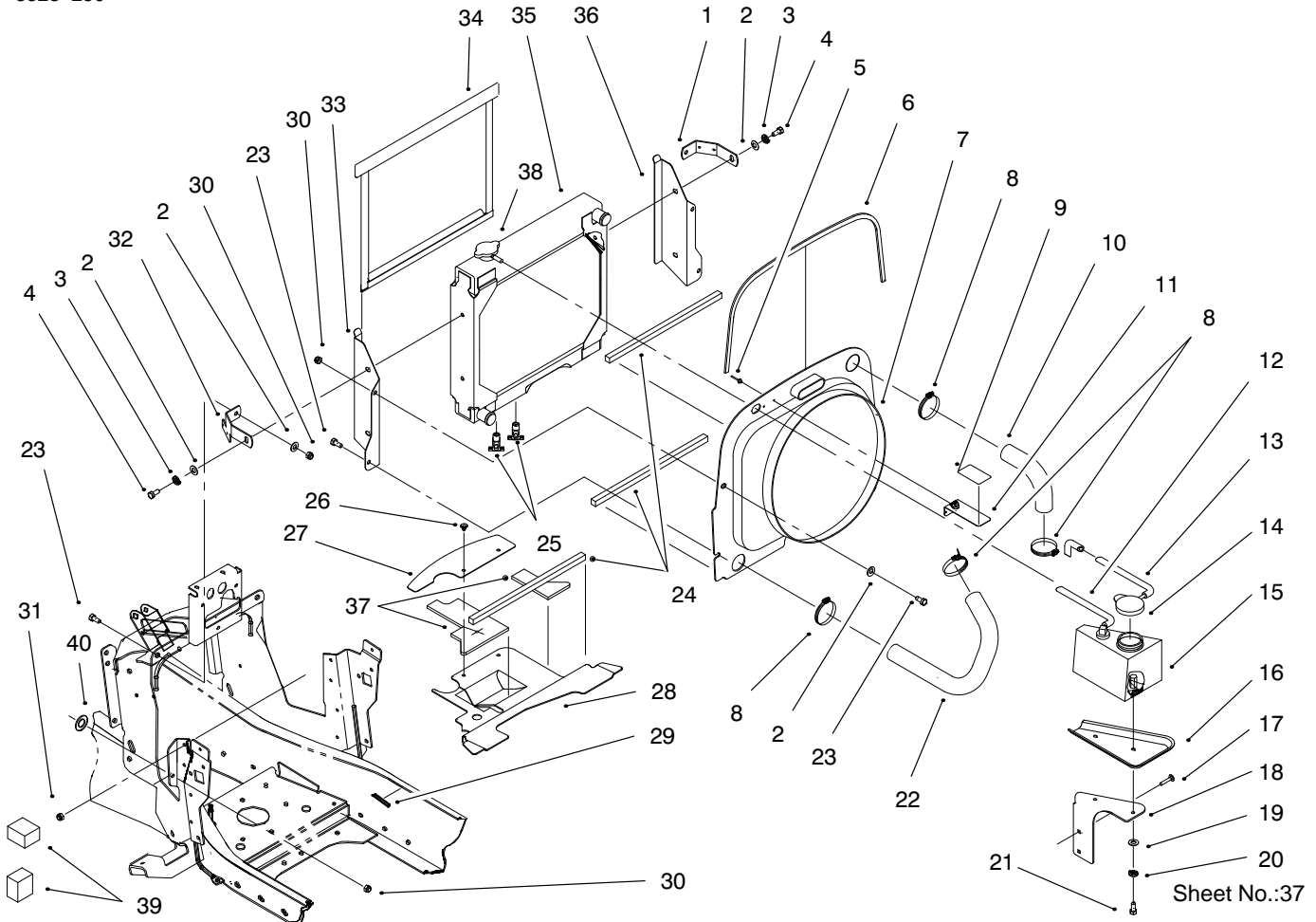


Sheet No.:36

## Liquid Cooled Diesel Engine Assembly

Ref. No.	Part No.	Qty.	Description
1	95-3882-03	1	Support-Engine
2	3296-39	10	Nut-Lock
3	95-3890-03	1	Iso Brkt-LH
4	3296-8	3	Nut-Lock
5	95-4188	2	Mount-Isolation
6	325-12	2	Screw-HH
7	55-7960	2	Washer-Flat
8	95-4183	4	Screw-M8 Threadlocking
9	3296-23	2	Nut-Lock
10	353-783	2	Ftg-Fuel
11	321-4	3	Screw-HH
12	63-7650	1	Fuel Filter/Coalescer
13	2412-108	2	Clamp-Hose
14	95-4279	1	Hose-Fuel (5/16)
15	3256-23	4	Washer-Flat
16	95-4184	13	Screw-Threadlocking
17	3256-22	1	Washer-Flat
18	95-4066-03	1	Brkt-Clutch
19	3230-2	2	Screw-CARR
20	94-7973	1	Screw-Cap
21	3256-25	1	Washer-Flat
22	94-2190	1	Clutch-PTO
23	3296-29	2	Nut-Lock
24	94-2065	1	Hub-PTO
25	323-7	4	Screw-HH

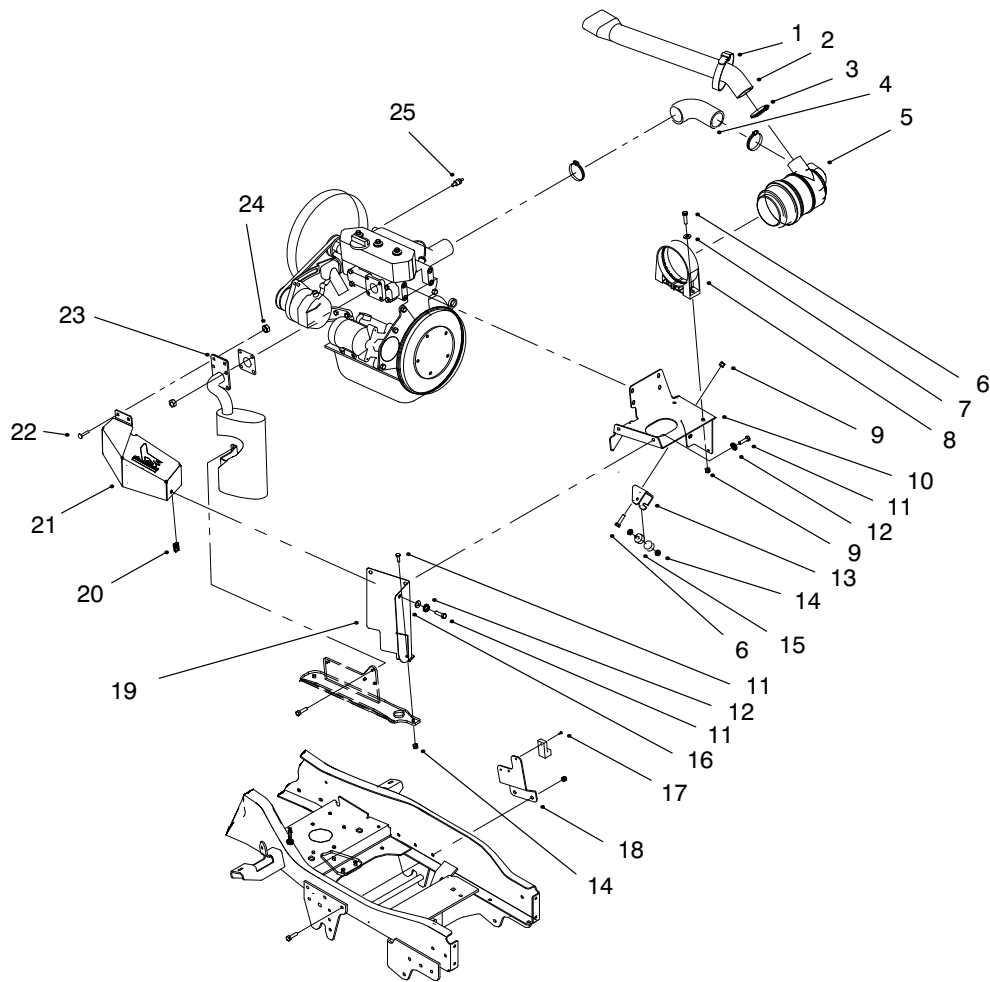
Ref. No.	Part No.	Qty.	Description
26	3231-25	2	Screw-CARR
27	95-3889-03	1	Iso Brkt-RH
28	95-4190	2	Ring-Isolation
29	95-3883-03	1	Support-Engine
30	95-4189	2	Bushing-Isolation
31	94-7527	2	Sleeve
32	83-1040	2	Washer-Rebound
33	323-10	2	Screw-HH
34	94-7892	1	Hub-Drive
35	94-2163	1	Engine



## Liquid Cooled Diesel Engine Assembly (Continued)

Ref. No.	Part No.	Qty.	Description
1	94-7644-03	1	Strap-Radiator
2	3256-23	6	Washer-Flat
3	3253-4	4	Washer-Lock
4	322-2	4	Screw-HH
5	3269-12	2	Rivet-Pop
6	98-7216	1	Trim-Loc
6	98-7217	1	Trim-Loc
7	95-3825	1	Shroud-Fan
8	2412-34	4	Clamp-Hose
9	95-4143	1	Decal-Warning
10	95-4266	1	Hose-Radiator
11	98-5024	1	Bracket ASM
12	62-2470	1	Hose-Gas Line Long
13	95-4227	1	Hose-Overflow
14	95-4191	1	Cap-Coolant
15	95-4017	1	Bottle-Overflow
16	98-1600	1	Tray-Overflow
17	3229-1	2	Bolt-CARR
18	95-4080-03	1	Bracket-Bottle
19	3256-22	2	Washer-Flat
20	3253-3	2	Washer-Lock
21	321-3	2	Screw-HH
22	95-4267	1	Hose-Radiator
23	322-5	6	Screw-HH
24	95-4161	3	Foam-Radiator
25	95-4142	2	Valve-Drain

Ref. No.	Part No.	Qty.	Description
26	95-4237	2	Rivet-Plastic
27	95-4170	1	Baffle-Tower Rear
28	94-7956	1	Baffle-Tower
30	3296-29	6	Nut-Lock
31	3296-8	2	Nut-Lock
32	98-3590-03	1	Bracket-Relay
33	94-7645-03	1	Support-Radiator RH
34	98-1643-03	1	Screen-Chaff
35	94-7640	1	Radiator-Diesel
36	94-7646-03	1	Support-Radiator LH
37	98-5026	1	Foam-Baffle
38	93-5957	1	Cap-Radiator
39	98-3086	4	Foam
40	51-4230	2	Washer

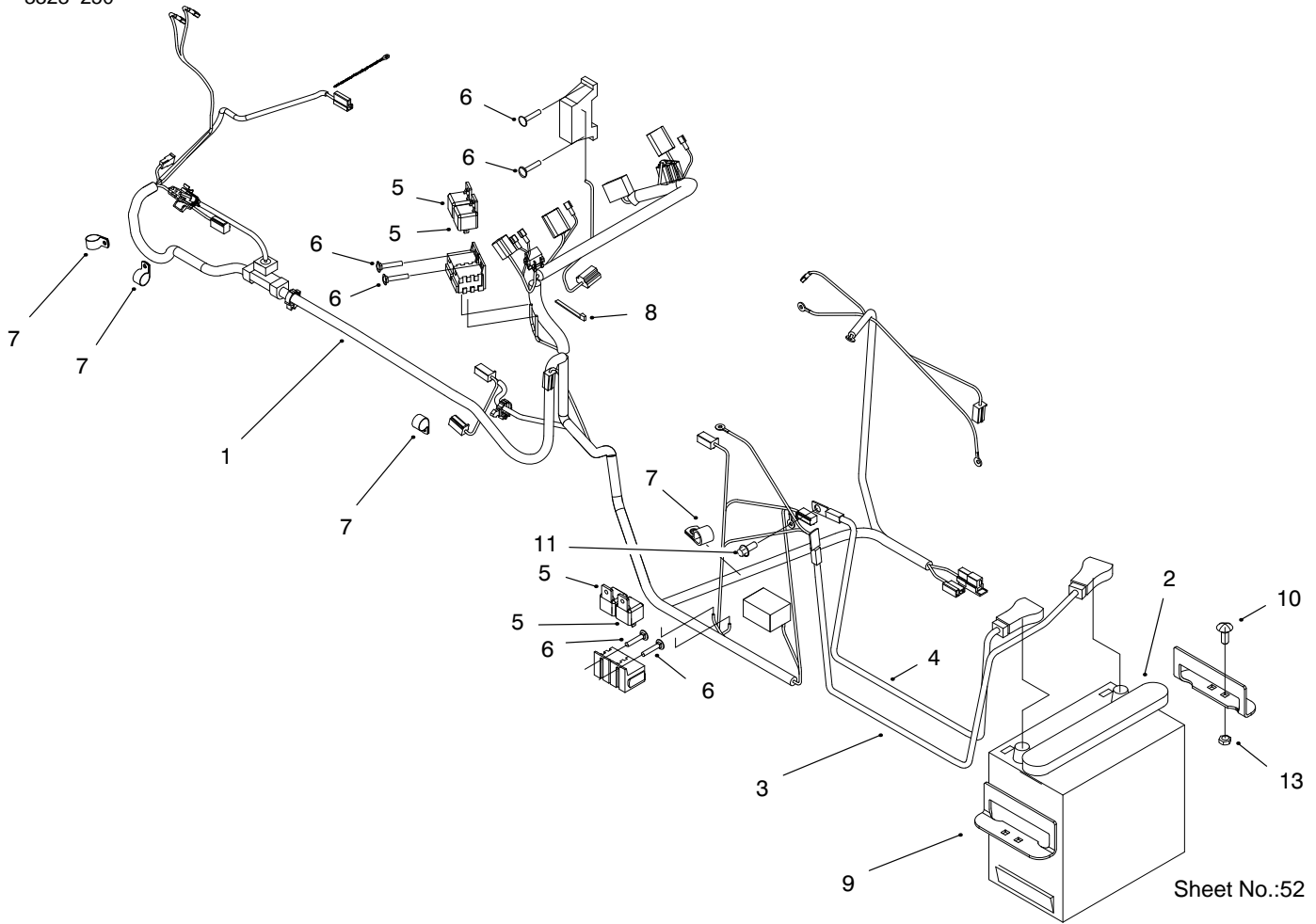


Sheet No.:38

## Liquid Cooled Diesel Engine Assembly (Continued)

Ref. No.	Part No.	Qty.	Description	Ref. No.	Part No.	Qty.	Description
1	3290-379	1	Tie-Cable	22	3229-1	2	Bolt-CARR
2	98-1628	1	Hose-Air Cleaner Inlet	23	94-7958	1	Muffler
3	2412-92	3	Clamp-Hose	24	32152-4	2	Locknut
4	95-4265	1	Hose-Air Cleaner Outlet	25	94-7621	1	Water Temp. Sender
5		1	Air Cleaner ASM				
*5:1	93-2195	1	Element				
*5:2	94-3652	1	Cover				
*5:3	87-9400	1	Valve-Vacuator				
*5:4	285-17	1	Plug				
6	322-5	3	Screw-HH				
7	3256-23	2	Washer-Flat				
8	95-5806	1	Mtg Band ASM				
9	3296-29	4	Nut-Lock				
10	95-3891-03	1	Guard-Flywheel				
11	321-4	4	Screw-HH				
12	3253-3	3	Washer-Lock				
13	95-4067-03	1	Brkt-Clutch Anchor				
14	3296-8	4	Nut-Lock				
15	240-14	2	Bumper				
16	3256-22	1	Washer-Flat				
17	32144-4	1	Screw-TAP				
18	95-4239-03	1	Bracket-Relay				
19	98-1634-03	1	Heat Shield-Lower				
20	107069	3	Nut-Panel				
21	98-1638-03	1	Heat Shield-Upper				

\*Not Illustrated



Sheet No.:52

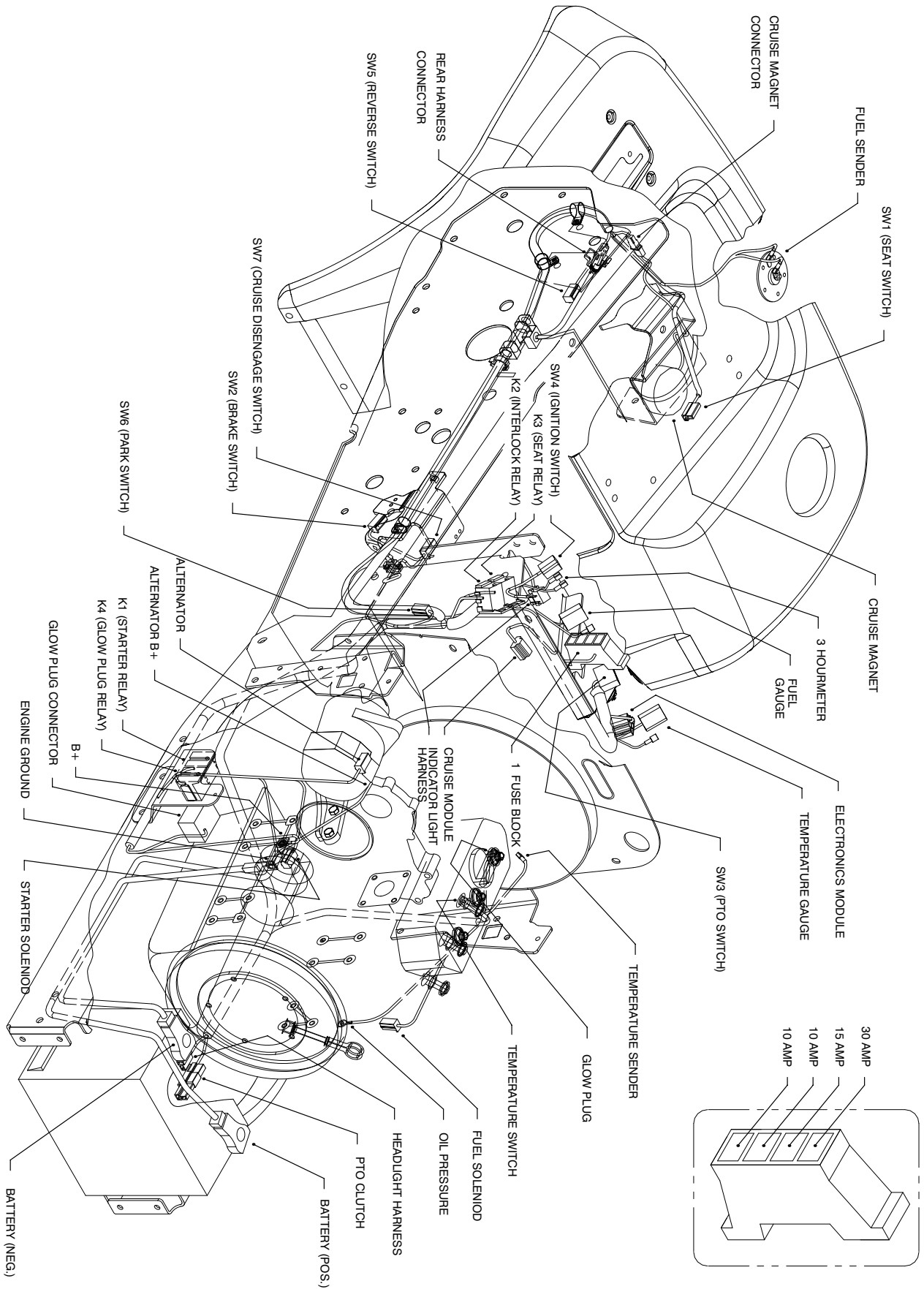
## Electrical Assembly

Ref. No.	Part No.	Qty.	Description
1	94-7606	1	Harness-Main
2	94-7622	1	Battery-495cca
3	95-7852	1	Cable-Battery
4	95-7853	1	Cable-Battery
5	98-7249	4	Relay
6	12-5450	6	Screw-Thread Forming
7	98-2358	4	Clamp-R
8	614249	1	Tie Strap
9	98-3497	2	Hold-Down Battery
10	3230-1	2	Bolt-CARR
11	95-4184	1	Screw-Threadlocking
12	98-5072	1	Tie-Cable
13	3296-29	2	Nut-Lock
*	NN10277	1	Fuse-30 Amp
*	109355	1	Fuse-15 Amp
*	218-578	2	Fuse-10 Amp

Ref. No.	Part No.	Qty.	Description

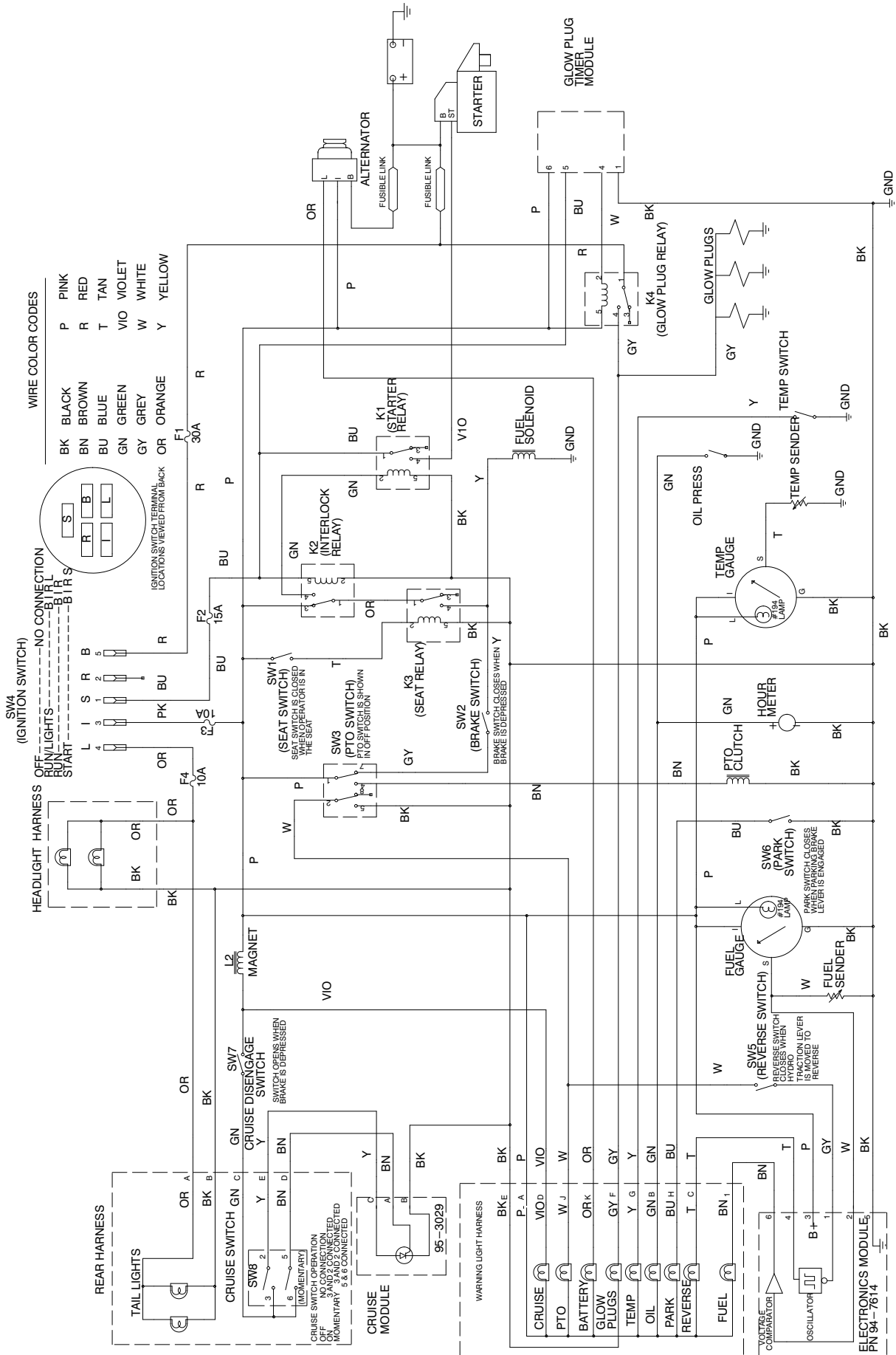
\* Not illustrated

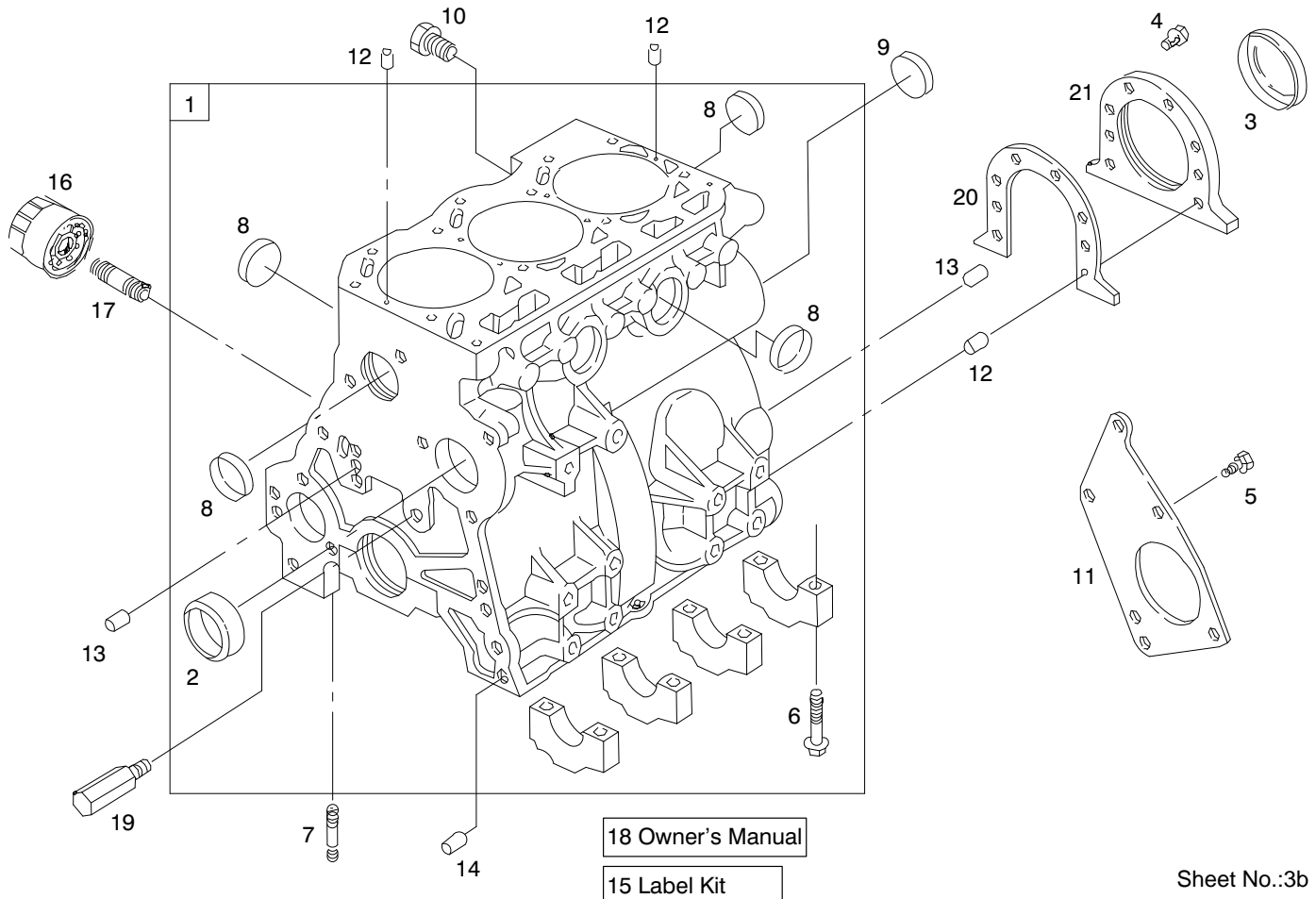
# Wiring Harness Routing



# Electrical Schematic

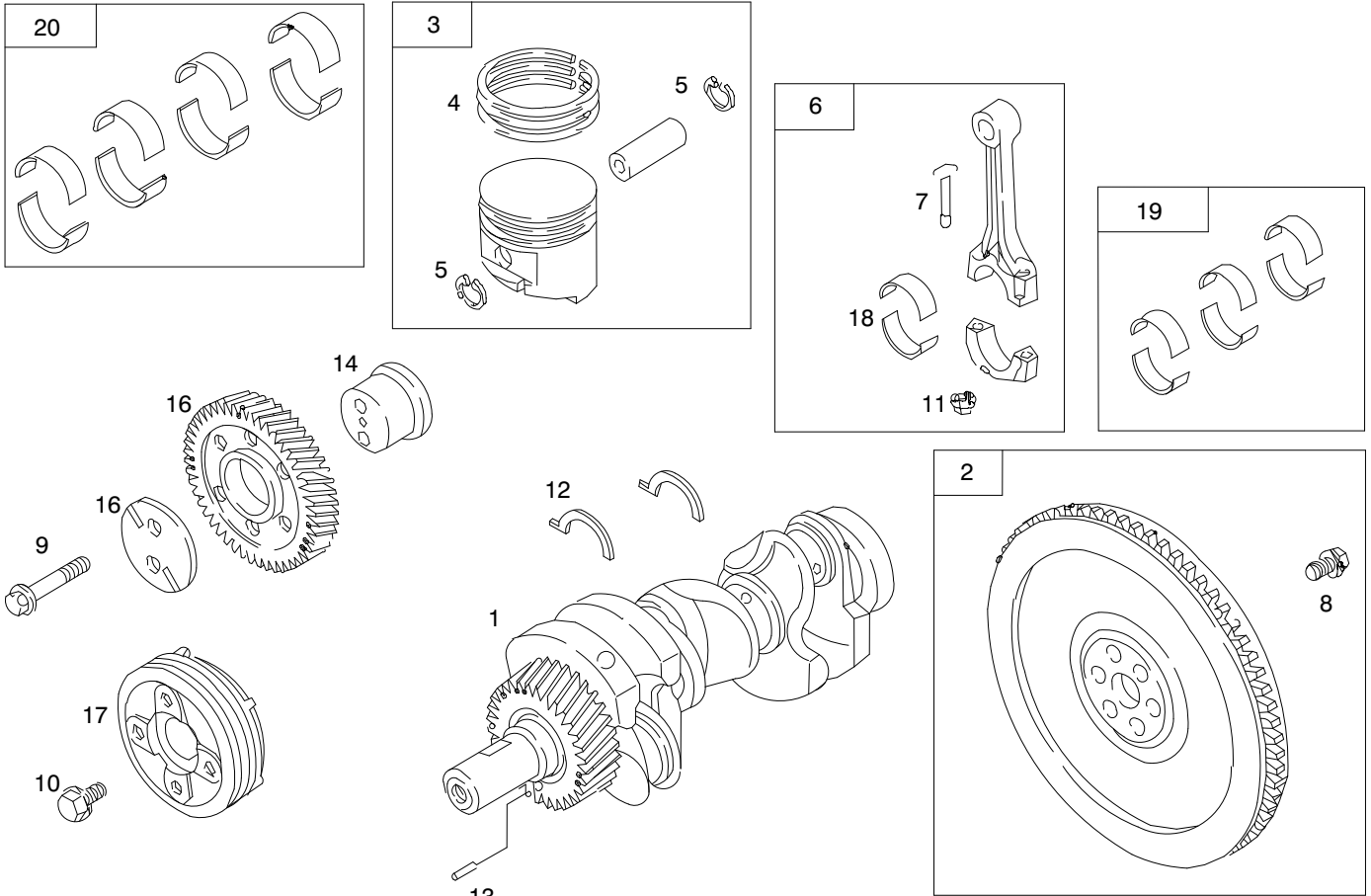
## DIESEL





## Engine Assembly

Ref. No.	Part No.	Qty.	Description	Ref. No.	Part No.	Qty.	Description
1	99-9669	1	Cylinder Assembly				
2	99-9002	1	Bushing				
3	99-9003	1	Seal-Oil				
4	99-9004	6	Screw-Hex				
5	99-9005	5	Screw-Hex				
6	99-9006	8	Screw-Hex				
7	99-9007	1	Stud-Metric				
8	99-9008	7	Plug-Welch				
9	99-9009	1	Plug-Welch				
10	99-9601	1	Plug (Cylinder Block)				
11	99-9011	1	Bracket-Mounting				
12	99-9012	4	Pin-Locating				
13	99-9013	3	Pin-Locating				
14	99-9014	2	Pin-Locating				
15	99-9015	1	Label Kit				
16	99-9017	1	Filter-Oil				
17	99-9018	1	Adapter-Oil Filter				
18	99-9602	1	Owner's Manual				
19	99-9020	1	Nozzle-Oil				
20	99-9021	1	Gasket-Retainer				
21	99-9022	1	Retainer-Seal				



Sheet No.:4b

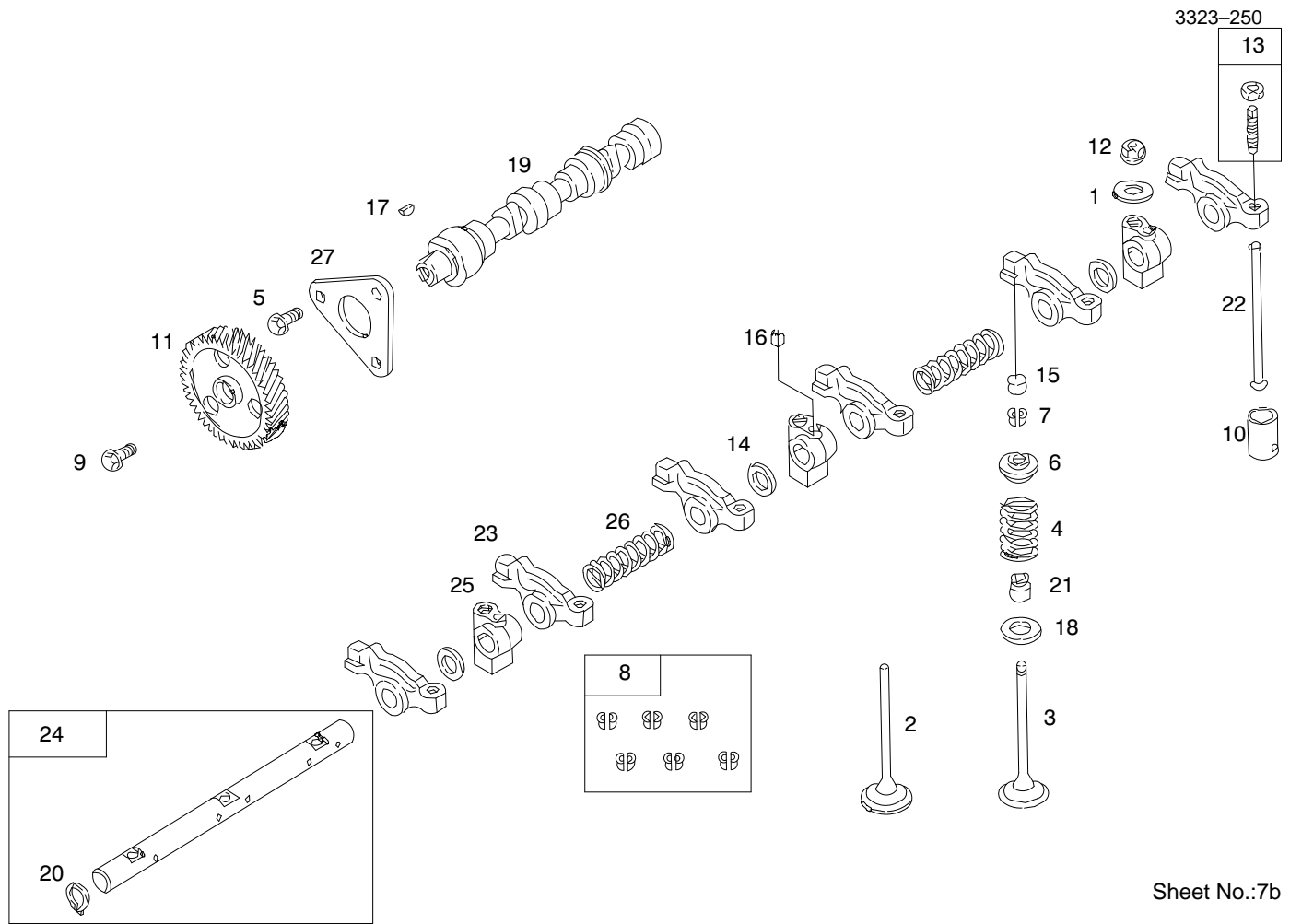
## Engine Assembly

Ref. No.	Part No.	Qty.	Description
1	99-9023	1	Crankshaft
2	99-9671	1	Flywheel
3	99-9672	3	Piston Assembly
4	99-9606	3	Ring Set
5	99-9607	6	Lock-Piston Pin
6	99-9608	3	Rod-Connecting
7	99-9030	6	Screw-Connecting Rod
8	99-9031	6	Screw-10mm Hex
9	99-9032	2	Screw-8mm Hex
10	99-9033	1	Screw-Hex
11	99-9034	6	Nut-Hex
12	99-9035	1	Washer-Thrust
13	99-9037	1	Pin-Locating
14	99-9308	1	Gear-Drive
15	99-9039	1	Shaft-Gear
16	99-9040	1	Plate-Idler Gear
17	99-9692	1	Pully-Crankshaft
18	99-9042	3	Bearing-Rod
19	99-9043	3	Bearing Set-Rod
20	99-9045	1	Bearing Set-Main

Ref. No.	Part No.	Qty.	Description







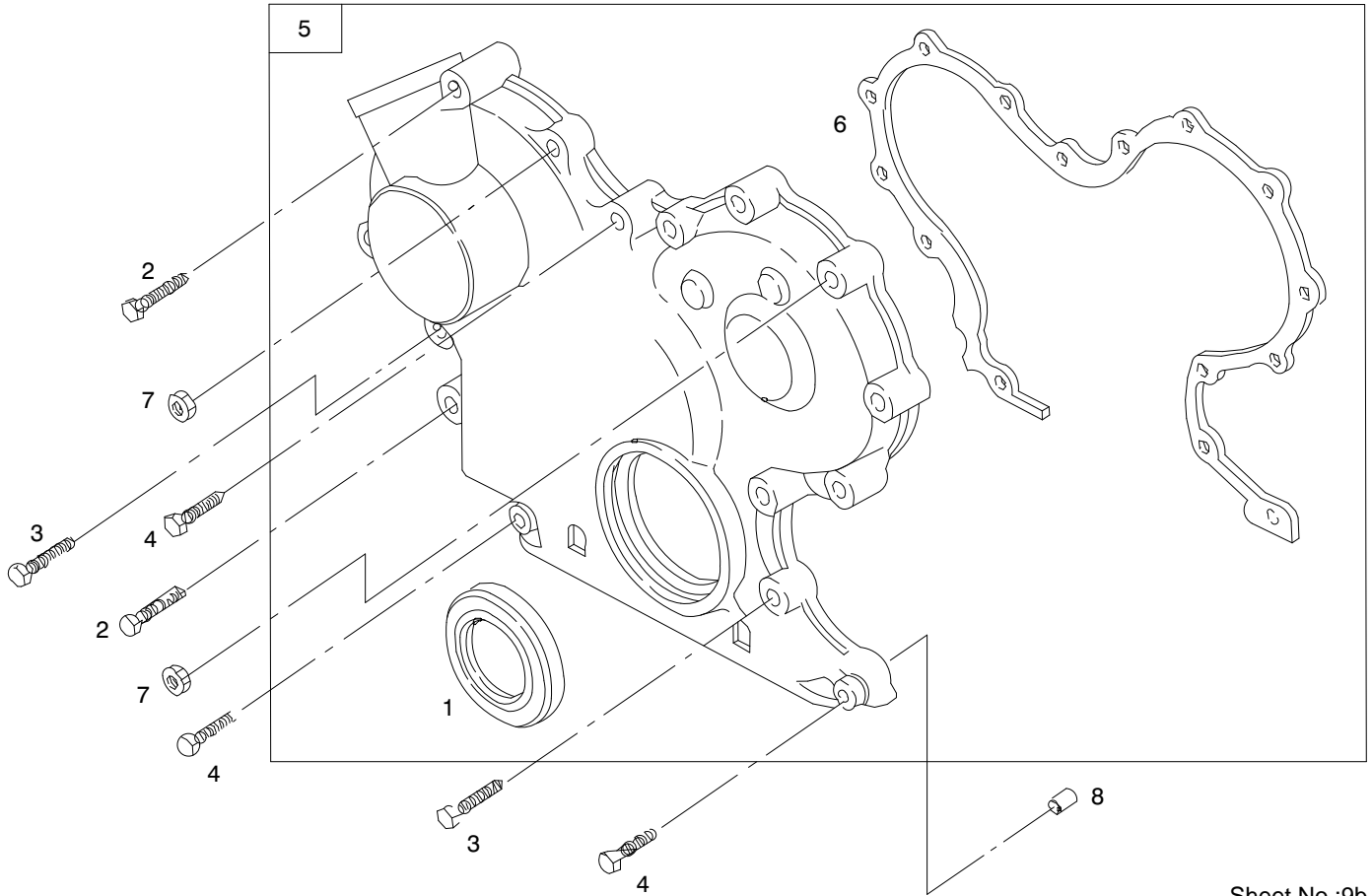
Sheet No.:7b

## Engine Assembly

Ref. No.	Part No.	Qty.	Description
1	99-9079	3	Washer-Flat
2	99-9638	3	Valve-Exhaust
3	99-9639	3	Valve-Intake
4	99-9640	6	Spring-Valve
5	99-9083	3	Screw-6mm Hex
6	99-9084	6	Retainer-Valve
7	99-9086	1	Keeper-Valve
8	99-9087	6	Keeper-Valve
9	99-9085	1	Screw-Metric
10	99-9088	6	Tappet-Valve
11	99-9089	1	Gear-Cam
12	99-9091	3	Nut-Metric Hex
13	99-9092	6	Adjuster-Rocker Arm
14	99-9093	3	Washer-Spacer
15	99-9094	6	Cap-Valve
16	99-9090	1	Screw-Metric
17	99-9675	1	Key-Timing
18	99-9096	6	Seat-Valve Spring
19	99-9097	1	Shaft-Cam
20	99-9099	2	Retainer
21	99-9643	6	Seal-Valve
22	99-9103	6	Rod-Push
23	99-9104	1	Arm-Rocker
24	99-9106	1	Shaft-Rocker Arm
25	99-9107	3	Support-Rocker Arm

Ref. No.	Part No.	Qty.	Description
26	99-9108	2	Spring-Rocker Shaft
27	99-9109	1	Retainer-Camshaft





Sheet No.:9b

### Engine Assembly

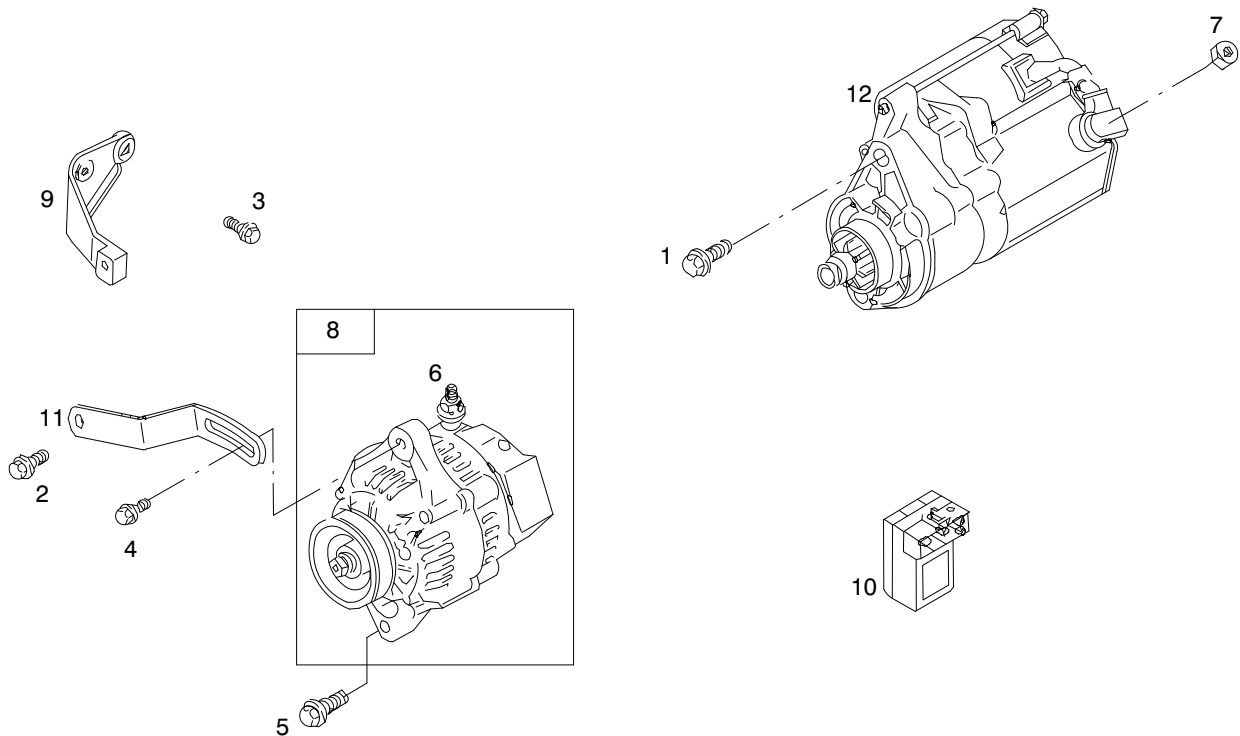
Ref. No.	Part No.	Qty.	Description
1	99-9126	1	Seal-Oil
2	99-9651	2	Screw-6mm Hex
3	99-9128	9	Screw-6mm Hex
4	99-9129	3	Screw-6mm Hex
5	99-9652	1	Cover-Assembly-Gear
6	99-9653	1	Gasket-Gear Cover
7	99-9114	2	Nut-Metric Hex
8	99-9014	1	Pin-Locating

Ref. No.	Part No.	Qty.	Description









Sheet No.:13b

## Engine Assembly

Ref. No.	Part No.	Qty.	Description
1	99-9201	2	Screw-10mm Hex
2	99-9202	1	Screw-8mm Hex
3	99-9203	2	Screw-8mm Hex
4	99-9204	1	Screw-Metric Hex
5	99-9205	1	Screw-Metric Hex
6	99-9114	1	Nut-Metric Hex
7	99-9206	1	Nut-Metric Hex
8	99-9209	1	Alternator
9	99-9211	1	Bracket-Support
10	99-9666	1	Module
11	99-9212	1	Bracket-Adjusting
12	99-9693	1	Motor-Starter

Ref. No.	Part No.	Qty.	Description



# Toro Part Number Index

Part No.	Page No.	Ref. No.	Qty.	Description
	28	5	1	Air Cleaner ASM
1529	7	15	1	Bearing—Needle
1529	8	1	2	Bearing—Needle
1535	8	30	3	Washer—Thrust
1540	7	11	1	Bearing—Needle
2844	2	6	1	Washer—Flat
2844	4	19	1	Washer—Flat
2844	7	36	1	Washer—Flat
3517	8	8	1	Ball
5108	6	20:3	2	Valve—Tire Tubeless
5108	25	1:2	2	Valve—Tire Tubeless
5618	3	1	2	Ring—Retaining
5991	8	27	1	Fitting—Filter
6449	7	21	2	Seal—Oil
7007	25	*	2	Tube—Inner
7228	12	5:5	2	Bulb—Light
8571	8	31	1	Bearing—Needle
8616	3	20	3	Spring—Compression
9038	3	31	1	Grip
9416	7	22	2	Bearing—Needle
9547	7	28	1	Washer—Thrust
9548	6	14	2	Washer—Thrust
100309	7	31	1	Bushing—Cam Pivot
101623	7	8	8	Gear—Pinion
101889	7	6	2	Gear—Axle
102597	19	6	1	Grip
103995	9	16	1	Washer
104047	24	5:3	2	Bushing
105061	7	9	1	Gear—Differential
105269	3	2	1	Pin—Hitch
105316	3	14	3	Cap—Rod
105503	16	41	2	Bushing
105797	2	17	1	Ring—Retaining
105797	3	17	6	Ring—Retaining
105876	7	7	2	Ring—Retaining
106634	3	3	1	Pin—Attachment
106826	7	17	2	Washer—Thrust
107069	1	2	6	Nut—Panel
107069	2	8	10	Nut—Panel
107069	3	25	2	Nut—Panel
107069	12	7	4	Nut—Panel
107069	15	15	4	Nut—Panel
107069	28	20	3	Nut—Panel
107374	7	4	4	Washer—Flat
108323	8	26	1	Base—Filter
108363	7	16	2	Pin—Locating
108881	3	36	6	Nut—Hex
108881	4	2	1	Nut—Hex
108881	5	23	1	Nut—Hex
108881	7	10	4	Nut—Hex
108881	17	22	2	Nut—Hex
108881	19	16	1	Nut—Hex
108881	21	8	2	Nut—Hex
108881	23	13	1	Nut—Hex
109355	29	*	1	Fuse—15 Amp
110680	25	1:3	2	Wheel
111196	7	5	2	Cap—End
111199	7	14	2	Bearing—Ball
112819	6	*	2	Tube—Inner
610358	11	4	1	Nut—Lock
614249	1	12:2	2	Tie Strap
614249	5	32	2	Tie Strap

\*Not Illustrated

# Toro Part Number Index (cont.)

Part No.	Page No.	Ref. No.	Qty.	Description
614249	12	25	2	Tie Strap
614249	24	20	1	Tie Strap
614249	29	8	1	Tie Strap
614672	10	6	2	Bolt-Shoulder
700919	14	8	1	Nut
702062	8	15	1	Gasket-Pump & Motor
911423	7	3	4	Screw-HH
933154	8	5	2	Pin-Spirol
937089	9	13	1	Key-Woodruff
9202514	6	22	4	Washer-Flat
9202524	6	23	A/R	Washer
9335054	3	4	1	Hairpin
9791204	3	5	2	Spacer
12-5450	2	12	3	Screw-Thread Forming
12-5450	29	6	6	Screw-Thread Forming
27-0410	12	10	3	Bolt-Shoulder
NN10277	29	*	1	Fuse-30 Amp
37-8771	2	23	1	Bolt-Shoulder
37-8771	16	45	2	Bolt-Shoulder
38-1420	15	3	1	Switch-Seat
44-2230	9	3	4	Coupling-Rubber
46-8093	1	10	4	Screw-TAP
48-8020	5	13	4	Washer-Lock
51-4230	27	40	2	Washer
55-7960	26	7	2	Washer-Flat
62-2470	27	12	1	Hose-Gas Line Long
62-7770	14	7	1	Key-Ignition
63-1590	17	16	1	Spring-Extension
63-1590	20	3	1	Spring-Extension
63-7650	26	12	1	Fuel Filter/Coalescer
65-7410	19	2	3	Switch-Single Pole
66-4160	23	12	1	Spring
69-8420	5	28	1	Lockwasher
71-4410	9	6	4	Spacer-Coupling
71-4411	9	4	4	Spacer-Coupling
76-1340	15	7	1	Decal-USA (Only On: 73550)
79-3340	7	1	2	Axle-Rear
79-3370	7	2	2	Key-Square
79-5270	8	28	1	Filter-Oil
80-8760	15	25:1	1	Decal-Danger (Only On: 73550)
83-1040	26	32	2	Washer-Rebound
83-2720	25	2	10	Bolt-Lug
86-9320	18	2	2	Bushing-Nylon
87-9400	28	5:3	1	Valve-Vacuator
92-1099	11	2	1	Bolt-Shoulder
92-6785	14	11	1	Switch-Ignition
92-6798	5	2	1	Cap-Rod
92-7008	17	41	1	Rod End
92-7020	12	11	4	Screw-TTH
92-7020	13	2	12	Screw-TTH
92-7020	14	19	4	Screw-TTH
92-7020	15	11	4	Screw-TTH
92-7674	3	23	2	Bolt-Shoulder
92-8747	1	22	2	Decal-Attach A Matic
93-2195	28	5:1	1	Element-Air Cleaner
93-4366	23	10	1	Magnet ASM
93-5957	27	38	1	Cap-Radiator
93-6601	23	10:1	1	Spring
94-2001-03	7	23	1	Case-Transaxle
94-2002-03	7	29	1	Case-Transaxle
94-2003	8	24	1	Transmission
94-2006	7	27	1	M-Gear

\*Not Illustrated

# Toro Part Number Index (cont.)

Part No.	Page No.	Ref. No.	Qty.	Description
94-2007	7	26	1	Shaft-Brake
94-2008	7	25	1	Gear-Sliding
94-2009	7	37	1	Drum-Brake
94-2010	8	33	1	Shaft-Input
94-2011	8	35	1	Gear-Hi Lo
94-2014	8	2	1	Tube-Shifter Rail
94-2015	8	4	1	Fork-Hi Lo Shift
94-2019-03	7	30	1	Arm-Brake Pivot
94-2021	7	12	2	Bearing-Needle
94-2022	7	13	1	Gasket-Transaxle
94-2024	8	9	1	Spring-Shift
94-2025	5	27	1	Washer-Boot
94-2053	6	20:5	4	Snap Ring
94-2054	8	3	1	Rail-Shift
94-2065	26	24	1	Hub-PTO
94-2083-03	2	37	1	Frame
94-2087-01	13	11	1	Sidepanel-Hood
94-2088-01	13	8	1	Sidepanel-Hood
94-2089-01	15	28	1	Footrest
94-2090-01	15	21	1	Footrest
94-2093	13	3	1	Cover-Rear
94-2095	15	27	1	Pad-Footrest
94-2096	15	20	1	Pad-Footrest
94-2099	12	5:6	1	Lens-Headlight
94-2100	11	28	1	Knob-Lift (Only On: 73550)
94-2102	14	1	1	Boot-Steering
94-2103	13	10	1	Cover-Bumper
94-2104	13	9	1	Grille
94-2106-03	16	40	2	Spring-Compression
94-2107-03	15	39	1	Base-Seat
94-2111-03	16	46	1	Mount-Seat
94-2112	15	37	1	Slide-Seat
94-2120	15	6	1	Pod-Control (Only On: 73550)
94-2121	14	13	1	Knob-Throttle
94-2123	20	20	1	Pad-Brake Pedal
94-2124	15	35	2	Lamp-Taillight
94-2142-03	4	13	1	Arm-Lower
94-2143	8	6	1	Arm-Shifter
94-2144	17	8	1	Slider-Speed Control
94-2145	17	11	1	Plate-Cam
94-2148-03	8	19	1	Plate-Support Bracket
94-2149-03	17	20	1	Plate-Control
94-2157-03	19	5	1	Latch-Parking Brake
94-2158	23	9	1	Plate-Magnet
94-2168	17	13	1	Standoff-Slider
94-2169	17	9	2	Standoff-Cam
94-2177	15	38	1	Seat Slide-Latch
94-2190	26	22	1	Clutch-PTO
94-2191	6	20:4	2	Tire (Only On: 73550)
94-2193	25	1:1	2	Tire (Only On: 73550)
94-2194	25	1	2	Rear Wheel & Tire ASM (Only On: 73550)
94-2196	6	10	1	Arm-RH Steering
94-2197	6	8	1	Arm-LH Steering
94-2205-03	6	2	1	Pivot Pin
94-2212	6	5	2	Rod-Steering
94-2219	4	9	1	Spacer
94-2230-03	3	15	1	Hanger RH
94-2231-03	3	16	1	Hanger LH
94-2233	3	28	2	Spacer
94-2250-03	3	35	1	Latch ASM
94-2251-03	3	7	2	Plate-Hitch
94-2256	3	18	3	Rod-Lock

\*Not Illustrated

# Toro Part Number Index (cont.)

Part No.	Page No.	Ref. No.	Qty.	Description
94-2258	3	19	3	Lock-Latch
94-2260	10	21	2	Lift Sleeve ASM
94-2262	10	16	2	Rod-Lift
94-2263-03	10	2	1	Support-Deck Lift
94-2266-03	10	22	1	Support-Cylinder
94-2277-03	10	17	1	Bar-Lift
94-2278-03	10	18	1	Lift Arm ASM-RH
94-2279-03	10	7	1	Lift Arm ASM-LH
94-2300	11	12	1	Lift Cylinder ASM
94-2301	10	12	2	J Pin
94-2304-03	3	26	1	Tray-Battery
94-2308-03	1	15	1	Bumper-Frame
94-2309	17	17	1	Standoff-Spring
94-2310	9	15	1	Hub
94-2313	17	2	4	Retainer-Bearing
94-2342-03	20	15	1	Bracket-Forward Reverse
94-2343-03	20	11	1	Bracket-Support
94-2345-03	20	13	1	Pivot Shaft
94-2351-03	20	10	1	Brake Bracket
94-2352-03	20	19	1	Pedal-Brake
94-2371	9	12	1	Spacer-Fan
94-2373-03	9	1	1	Drive Shaft
94-2375-03	22	2	1	Brake Pivot Plate
94-2382	5	4	1	Bracket
94-2393	22	14	1	Rod-Brake
94-2409	21	10	1	Link-Slow Down
94-2411	10	8	2	Stop-Lift Adj.
94-2413	2	4	4	U-Nut
94-2417-03	13	1	1	Screen-Rear
94-2419	7	35	1	Brake Band
94-2425	9	10	1	Key-Square
94-2451	5	11	1	Power Column ASM
94-2468	17	30	1	Cam-Eccentric
94-2475	3	29	1	Rod-Spacer
94-2488-03	22	5	1	Hydro Pivot
94-2494-03	23	3	1	Bracket-Cruise Control
94-2497	17	35	1	Rod-Slider To Pivot
94-2498	22	9	1	Rod-Pivot To Pedal
94-2499	20	4	1	Link-Brake Pedal
94-3518	15	1	1	Seat V-811
94-3652	28	5:2	1	Cover-Air Cleaner
94-4208	14	9	1	Hourmeter
94-4496	15	23:4	2	Screw
94-7500	17	39	1	Rod-Lift Lever
94-7501	20	12	1	Spacer-Pedal
94-7504	18	3	1	Shift Rod
94-7507	18	9	1	Shift Rod
94-7510	8	7	1	Arm-Hi Lo
94-7512-03	15	31	1	Gate-Hi Lo Shift
94-7521-03	5	25	1	Power Steering Pivot
94-7527	26	31	2	Sleeve
94-7536-03	6	19	1	RH Spindle
94-7537-03	6	13	1	LH Spindle
94-7538	6	20:2	4	Bearing ASM (Incl. Ref. #20:5)
94-7539	6	4	2	Balljoint-LH Thread
94-7541	6	20:1	2	Wheel
94-7542	6	20	2	Wheel & Tire ASM (Only On: 73550)
94-7556	4	18	1	Arm-Upper
94-7559	8	12	1	Tube-Dipstick
94-7562-03	19	10	1	Bracket-Switch
94-7564	17	24	1	Spacer
94-7565	8	14	1	Pinion-Bevel

\*Not Illustrated

# Toro Part Number Index (cont.)

Part No.	Page No.	Ref. No.	Qty.	Description
94-7566	8	32	1	Gear-Bevel
94-7567	5	19	1	Control Unit
94-7568-03	6	17	1	Axle-Front
94-7569	22	3	2	Bushing
94-7571	17	33	1	Rod End LH
94-7572	20	14	1	Tie Rod End RH
94-7573	21	7	1	Tie Rod End LH
94-7573	22	6	1	Tie Rod End LH
94-7574	10	4:1	2	Bushing-Flanged
94-7574	22	1	2	Bushing-Flanged
94-7575	23	4	1	Spacer-Cruise
94-7579	21	3	1	Lever-Slow Down
94-7581	4	10	1	Housing-Power Steering
94-7582	5	22	1	Bolt-Shoulder
94-7582	17	38	1	Bolt-Shoulder
94-7582	19	7	1	Bolt-Shoulder
94-7582	21	9	2	Bolt-Shoulder
94-7582	23	8	1	Bolt-Shoulder
94-7586	17	15	1	Arm-Return To Neutral
94-7599-03	5	21	1	Bracket-Pivot
94-7600-03	10	20	1	Spacer-Strap
94-7602	15	5	1	Switch Cruise
94-7606	29	1	1	Harness-Main
94-7610	14	23	1	Harness-8 Light
94-7611	15	33	1	Harness-Rear
94-7614	2	11	1	Module-Diesel
94-7618	14	21	1	Water Temp. Gauge
94-7621	28	25	1	Water Temp. Sender
94-7622	29	2	1	Battery-495cca
94-7637	17	5	1	Rod End RH
94-7640	27	35	1	Radiator-Diesel
94-7643-03	2	33	1	Tower ASM
94-7644-03	27	1	1	Strap-Radiator
94-7645-03	27	33	1	Support-Radiator RH
94-7646-03	27	36	1	Support-Radiator LH
94-7680-03	8	11	1	Dipstick
94-7692	8	23	1	Fitting-Hose
94-7693	8	16	1	Fitting-Hydraulic
94-7694	8	18	1	Fitting-Hydraulic
94-7714	11	1	1	Handle-Lift
94-7739-03	2	41	1	Strap-Torque
94-7740-03	2	2	1	Support - Gas Tank
94-7777-03	3	21	2	Latch-Pulley Box
94-7814	17	21	1	Locater-Control Plate
94-7816	17	27	1	Arm-Speed Control
94-7817	17	10	1	Bolt-Shoulder
94-7818	20	5	1	Retainer-Screw
94-7819	4	7	2	Spacer-Stop
94-7820-03	4	11	1	Plate-Power Steering
94-7824	20	18:1	1	Pad-Hydro Pedal
94-7833	18	5	1	Lever-Hi Lo
94-7834	18	8	1	Bracket-Pivot
94-7835	18	4	1	Spring-Torsion
94-7855-03	3	33	1	Mid Bracket ASM
94-7871	6	25	2	Cap-Dust
94-7892	26	34	1	Hub-Drive
94-7893	9	19	1	Pin-Drive
94-7905	19	9	1	Retainer-Screw
94-7906	22	15	1	Spring-Compression
94-7907	4	25	1	Spacer
94-7910	1	8	4	Grommet
94-7913	17	23	1	Bushing-Flange

\*Not Illustrated

# Toro Part Number Index (cont.)

Part No.	Page No.	Ref. No.	Qty.	Description
94-7919	21	1	1	Bushing
94-7944	11	18	1	Hose ASM
94-7945	11	9	1	Hose ASM
94-7946	4	22	1	Hose ASM
94-7946	5	18	1	Hose ASM
94-7947	4	23	1	Hose ASM
94-7947	5	8	1	Hose ASM
94-7948	5	14	1	Hose ASM
94-7949	5	9	1	Hose ASM
94-7955	9	17	1	Screw-Lock
94-7955	22	7	1	Screw-Lock
94-7956	27	28	1	Baffle-Tower
94-7958	28	23	1	Muffler
94-7969	8	17	1	Tube-Hydraulic
94-7970	8	41	1	Tube-Hydraulic
94-7970	11	19	1	Tube-Hydraulic
94-7971	2	32	1	Tube-Hydraulic
94-7971	8	42	1	Tube-Hydraulic
94-7972	2	40	1	Screw-HH
94-7973	26	20	1	Screw-Cap
94-7975	9	18	4	Screw-Square Set
94-7976	4	4	1	Screw-HH
94-7980	23	5	1	Rod-Cruise Control
94-7994-03	1	18	1	Bracket-Hinge Lower RH
94-7995-03	1	6	1	Bracket-Hinge Lower LH
94-8189	24	17	1	Clamp-Hose
95-0691	12	23	1	Harness-Wire
95-1653	19	13	1	Switch-Single Pole
95-3029	2	16	1	Cruise Module
95-3800-03	12	12	1	Front Bulkhead
95-3801-03	17	4	1	Slider Lift
95-3805	5	6	1	Spring
95-3807	2	15	1	Hose ASM
95-3807	5	16	1	Hose ASM
95-3825	27	7	1	Shroud-Fan
95-3830	14	22	1	Gauge-Fuel
95-3842	14	4	1	Lens-Dash
95-3843	14	6	1	Housing-Light
95-3844	14	2	1	Retainer-Boot
95-3857	17	42	1	Screw-Button Head
95-3858	15	29	2	Bracket-Footrest
95-3882-03	26	1	1	Support-Engine
95-3883-03	26	29	1	Support-Engine
95-3889-03	26	27	1	Iso Brkt-RH
95-3890-03	26	3	1	Iso Brkt-LH
95-3891-03	28	10	1	Guard-Flywheel
95-3892-03	2	19	1	Bracket-Latch
95-3895	2	24	1	Spring-Extension
95-3899	2	21	1	Latch Lever
95-3900	2	22	1	Tension Lever-Latch
95-3961-03	2	9	1	Support-Fuel Tank
95-3964	5	3	1	Lever-Tilt
95-3965	4	3	1	Cylinder-Hydraulic
95-3967	14	18	1	Dash-Diesel
95-3970	24	5:2	1	Fitting-90 DEG
95-3971	24	5:6	1	Sender-Fuel Shut Off
95-3989	1	7	4	Mount-Sidepanel
95-3991	2	13	1	Filter-Hydraulic Screen
95-4000	15	6	1	Pod-Control (Only On: 73551)
95-4005-03	2	39	1	Cover-Rear
95-4006	24	5	1	Tank-Diesel
95-4007	11	12:1	1	Seal Kit

\*Not Illustrated

# Toro Part Number Index (cont.)

Part No.	Page No.	Ref. No.	Qty.	Description
95-4013	1	1	4	Latch Assembly
95-4017	27	15	1	Bottle-Overflow
95-4019	11	24	1	Valve-Hydraulic
95-4022	18	7	1	Knob-Hi Lo Shift
95-4060	6	21	2	Washer-Wheel
95-4064	11	11	1	Clip-Pin
95-4066-03	26	18	1	Brkt-Clutch
95-4067-03	28	13	1	Brkt-Clutch Anchor
95-4070-03	12	14	1	Hood Support Rod
95-4074	14	5	1	Decal-Dash Lens
95-4078	12	1:5	1	Foam Seal-Rear Bulkhead
95-4080-03	27	18	1	Bracket-Bottle
95-4081-03	1	17	1	Hood Support RH
95-4082-03	1	9	1	Hood Support LH
95-4084	6	20	2	Wheel & Tire ASM (Only On: 73551)
95-4085	6	20:4	2	Tire (Only On: 73551)
95-4086	25	1	2	Rear Wheel & Tire ASM (Only On: 73551)
95-4087	25	1:1	2	Tire (Only On: 73551)
95-4106	11	28	1	Knob-Lift (Only On: 73551)
95-4107	15	23:2	1	Retainer-Cover
95-4113-03	13	13	1	Cover-Side RH
95-4114-03	13	5	1	Cover-Side LH
95-4115	15	8	4	Nut-Speed
95-4129	12	5:4	4	Clip
95-4133	8	22	1	Hose-Suction
95-4134	11	22	1	Fitting-Hydraulic Tee
95-4135	8	40	1	Fitting-Hydraulic 45
95-4136	4	21	2	Fitting-Hydraulic 45 DEG
95-4136	11	17	1	Fitting-Hydraulic 45 DEG
95-4137	5	10	1	Fitting-Hydraulic Long
95-4138	2	14	2	Fitting-Hydraulic
95-4138	5	17	2	Fitting-Hydraulic
95-4138	8	39	1	Fitting-Hydraulic
95-4139	5	15	2	Fitting-Hydraulic Straight
95-4140	11	21	1	Fitting-Hydraulic 90 DEG.
95-4141	11	7	3	Fitting-Hydraulic 90 DEG
95-4142	27	25	2	Valve-Drain
95-4143	27	9	1	Decal-Warning
95-4157	24	22:3	1	Foam-Tank Center
95-4158	24	22:2	1	Foam-Tank RH
95-4159	24	22:1	1	Foam-Tank LH
95-4161	27	24	3	Foam-Radiator
95-4165	2	20	1	Spring-Torsion
95-4166	12	5	1	Headlight ASM
95-4168	11	3	1	Trunnion-Lift Lever
95-4170	27	27	1	Baffle-Tower Rear
95-4182	5	29	1	Nut-HH Jam
95-4183	26	8	4	Screw-M8 Threadlocking
95-4184	26	16	13	Screw-Threadlocking
95-4184	29	11	1	Screw-Threadlocking
95-4185	17	3	4	Bearing-Ball
95-4186	24	4	1	Hose-Vent
95-4187	24	6	1	Clamp-Tube
95-4188	26	5	2	Mount-Isolation
95-4189	26	30	2	Bushing-Isolation
95-4190	26	28	2	Ring-Isolation
95-4191	27	14	1	Cap-Coolant
95-4193	24	1	1	Gas Cap ASM-Diesel
95-4197	12	3	2	Nut Plate
95-4221	11	5	1	Spring-Ext. Lift
95-4223	9	14	1	Fan-Hydro
95-4226	14	15	1	ASM-Control Throttle

\*Not Illustrated

# Toro Part Number Index (cont.)

Part No.	Page No.	Ref. No.	Qty.	Description
95-4227	27	13	1	Hose-Overflow
95-4231	13	4	2	Foam-Seal
95-4233	12	1:6	1	Foam-Bulkhead/Hood
95-4234	14	3	6	Screw-Pan Hd
95-4235	11	6	1	Washer
95-4236	11	27	1	Tscrew-PPH
95-4236	14	12	2	Tscrew-PPH
95-4237	27	26	2	Rivet-Plastic
95-4238	14	20	2	Gasket-Foam
95-4239-03	28	18	1	Bracket-Relay
95-4242	16	42	2	Cap-Seat Spring
95-4245	11	16	1	Screw-Thread Locking
95-4245	17	31	1	Screw-Thread Locking
95-4246	2	35	1	Baffle-Fan
95-4248	12	6	1	Logo-Headlight
95-4256	10	13	2	Spring-Compression
95-4258	1	12:1	1	Cover-Brace
95-4258	11	14	2	Cover-Brace
95-4259	12	1:4	2	Foam-Lower Bulkhead
95-4260	13	7	1	Decal-Hood LH
95-4261	13	12	1	Decal-Hood RH
95-4262	15	2	1	Decal-Fender
95-4263	15	23:1	1	Decal-Danger (Only On: 73550)
95-4265	28	4	1	Hose-Air Cleaner Outlet
95-4266	27	10	1	Hose-Radiator
95-4267	27	22	1	Hose-Radiator
95-4278	24	15	1	Hose-Fuel
95-4279	26	14	1	Hose-Fuel (5/16)
95-4280	24	16	1	Hose-Fuel
95-4287	14	24	1	Guard-Latch (Only On: 73551)
95-5806	28	8	1	Mtg Band ASM
95-7489	14	10	1	Switch-PTO
95-7852	29	3	1	Cable-Battery
95-7853	29	4	1	Cable-Battery
98-1459	5	30	1	Decal
98-1474	5	1	1	Steering Wheel ASM
98-1600	27	16	1	Tray-Overflow
98-1602	12	5:2	2	Decal-Sidelight
98-1607	13	6	2	Decal-523dxi
98-1608	15	23:1	1	Decal-Danger (Only On: 73551)
98-1617	10	24	1	Clamp-Tube
98-1617	24	10	3	Clamp-Tube
98-1620	11	26	1	Link-Lift
98-1621	15	23	1	Tunnel Cover ASM (Only On: 73550)
98-1623	15	23	1	Tunnel Cover ASM (Only On: 73551)
98-1628	28	2	1	Hose-Air Cleaner Inlet
98-1629	3	30	2	Washer
98-1632	3	9	2	Decal-Attach A Matic
98-1634-03	28	19	1	Heat Shield-Lower W.a.
98-1636	20	9	4	Bushing-Flange
98-1638-03	28	21	1	Heat Shield-Upper W.a.
98-1639	11	10	1	Pin-Clevis
98-1642	6	26	2	Cap-Spindle
98-1643-03	27	34	1	Screen-Chaff
98-1649	12	13	1	Washer-Spring
98-1810	12	22	1	Clip;Convolutd
98-2358	4	27	1	Clamp-R
98-2358	19	15	1	Clamp-R
98-2358	23	15	2	Clamp-R
98-2358	29	7	4	Clamp-R
98-2390	16	44	1	Clamp-R
98-3050	24	5:1	1	Fitting Orifice

\*Not Illustrated

# Toro Part Number Index (cont.)

Part No.	Page No.	Ref. No.	Qty.	Description
98-3051	12	16	1	Washer-Plastic
98-3052	4	20	1	Screw-Thread Locking
98-3086	27	39	4	Foam
98-3087	4	5	1	Washer-Power Steering
98-3087	19	17	1	Washer-Power Steering
98-3088	16	47	1	Decal-Diesel
98-3497	29	9	2	Hold-Down Battery
98-3499	21	4	1	Washer-Flat
98-3582	10	4	1	Bellcrank & Bushing ASM
98-3590-03	27	32	1	Bracket-Relay
98-3591	12	5:1	2	Socket
98-3595	12	24	1	Shield-Support Rod
98-3597	12	5:7	1	Decal-Headlight Reflector
98-5014	1	5:1	1	Decal-Warning (Only On: 73550)
98-5014	1	21:1	1	Decal-Warning (Only On: 73550)
98-5015	1	5:1	1	Decal-Warning (Only On: 73551)
98-5015	1	21:1	1	Decal-Warning (Only On: 73551)
98-5015	15	25:1	1	Decal-Warning (Only On: 73551)
98-5024	27	11	1	Bracket ASM
98-5025-01	15	25	1	Tunnel ASM (Only On: 73550)
98-5026	27	37	1	Foam-Baffle
98-5058-01	15	25	1	Tunnel ASM (Only On: 73551)
98-5061-03	1	21	1	Support ASM (Only On: 73550)
98-5063-03	1	21	1	Support ASM (Only On: 73551)
98-5064-03	1	5	1	Support ASM (Only On: 73550)
98-5070-03	1	5	1	Support ASM (Only On: 73551)
98-5072	29	12	1	Tie-Cable
98-7203	1	12	1	Hood Support ASM
98-7204	12	1:2	1	Rear Bulkhead ASM
98-7205	12	1	1	Hood ASM
98-7207	20	18	1	Hydro Pedal ASM
98-7208	24	22	1	Rear Body ASM
98-7210	12	5:3	1	Reflector ASM
98-7211	5	1:1	1	Cover ASM (Incl. Ref. #30)
98-7216	27	6	1	Trim-Loc
98-7217	27	6	1	Trim-Loc
98-7249	29	5	4	Relay
98-7390	24	5:10	1	Gage
98-8083-03	3	6	1	Hitch
98-8086	6	12	2	Balljoint-RH Thread
98-8088	6	6	2	Nut-Lock
98-8089	6	28	2	Nut-Lock
99-2326	24	5:7	1	Gasket-Fuel Sender
99-3717	24	5:4	1	Fitting-Fuel Shut Off
105763-03	7	20	2	Hub-Wheel
218-578	29	*	2	Fuse-10 Amp
237-21	4	21:2	2	O-Ring
237-21	5	15:2	2	O-Ring
237-21	11	7:2	3	O-Ring
237-21	11	17:2	1	O-Ring
237-22	2	14:1	2	O-Ring
237-22	5	10:2	1	O-Ring
237-22	5	17:1	2	O-Ring
237-22	8	39:1	1	O-Ring
237-22	8	40:2	1	O-Ring
237-22	11	21:2	1	O-Ring
237-22	11	22:2	2	O-Ring
237-30	8	16:2	1	O-Ring
237-30	8	18:2	1	O-Ring
237-42	2	14:2	2	O-Ring
237-42	4	21:1	2	O-Ring
237-42	5	10:1	1	O-Ring

\*Not Illustrated

# Toro Part Number Index (cont.)

Part No.	Page No.	Ref. No.	Qty.	Description
237-42	5	15:1	2	O-Ring
237-42	5	17:2	2	O-Ring
237-42	8	16:1	1	O-Ring
237-42	8	18:1	1	O-Ring
237-42	8	39:2	1	O-Ring
237-42	8	40:1	1	O-Ring
237-42	11	7:1	3	O-Ring
237-42	11	17:1	1	O-Ring
237-42	11	21:1	1	O-Ring
237-42	11	22:1	1	O-Ring
237-80	8	23:1	1	O-Ring
240-14	28	15	2	Bumper
2412-34	27	8	4	Clamp-Hose
2412-36	24	5:5	1	Clamp
2412-92	28	3	3	Clamp-Hose
2412-98	24	13	2	Clamp-Hose
2412-106	2	28	1	R Clamp
2412-108	24	14	2	Clamp-Hose
2412-108	26	13	2	Clamp-Hose
2412-141	8	21	2	Clamp-Hose
251-82	4	8	2	Bearing-Ball
253-44	7	38	1	Seal-Oil
281-10	7	24	1	Plug-Pipe
281-10	8	25	1	Plug-Pipe
283-16	11	25	1	Pin-Clevis
283-47	18	11	1	Pin-Clevis
285-17	28	5:4	1	Plug-Air Cleaner
302-5	6	18	2	Fitting-Grease
302-5	10	25	1	Fitting-Grease
302-5	20	24	1	Fitting-Grease
302-5	22	17	2	Fitting-Grease
302-11	6	16	1	Fitting-Grease
321-3	24	9	1	Screw-HH
321-3	27	21	2	Screw-HH
321-4	2	25	3	Screw-HH
321-4	2	34	2	Screw-HH
321-4	26	11	3	Screw-HH
321-4	28	11	4	Screw-HH
321-5	8	29	2	Screw-HH
321-10	11	23	2	Screw-HH
322-2	27	4	4	Screw-HH
322-3	1	4	12	Screw-HH
322-3	15	26	14	Screw-HH
322-3	17	19	2	Screw-HH
322-5	20	17	2	Screw-HH
322-5	27	23	6	Screw-HH
322-5	28	6	3	Screw-HH
322-6	4	17	4	Screw-HH
322-6	5	24	2	Screw-HH
322-6	17	1	1	Screw-HH
322-7	9	5	4	Screw-HH
322-9	17	7	2	Screw-HH
322-10	17	14	1	Screw-HH
322-11	9	7	4	Screw-HH
322-12	17	6	1	Screw-HH
322-13	17	32	1	Screw-HH
322-32	6	9	2	Screw-HH
323-4	2	38	2	Screw-HH
323-6	2	42	4	Screw-HH
323-6	3	24	2	Screw-HH
323-6	23	1	4	Screw-HH
323-6	24	11	1	Screw-HH

\*Not Illustrated

# Toro Part Number Index (cont.)

Part No.	Page No.	Ref. No.	Qty.	Description
323-7	1	16	4	Screw-HH
323-7	2	5	4	Screw-HH
323-7	3	11	4	Screw-HH
323-7	4	1	2	Screw-HH
323-7	10	1	5	Screw-HH
323-7	20	1	4	Screw-HH
323-7	26	25	4	Screw-HH
323-8	4	26	1	Screw-HH
323-8	8	37	2	Screw-HH
323-9	8	36	3	Screw-HH
323-10	4	15	1	Screw-HH
323-10	26	33	2	Screw-HH
323-13	8	20	4	Screw-HH
323-15	4	12	1	Screw-HH
323-18	10	23	4	Screw-HH
323-44	3	8	6	Screw-HH
325-12	26	6	2	Screw-HH
3218-3	7	19	4	Nut-HJ
3220-2	17	36	1	Nut-Jam
3220-3	17	40	1	Nut-Hex Jam
3220-3	20	23	1	Nut-Hex Jam
3220-3	22	10	1	Nut-Hex Jam
3220-5	6	3	2	Nut-Hex
3220-12	6	11	2	Nut-Hex
3220-16	21	6	1	Nut-HJ
3220-16	22	8	1	Nut-HJ
3220-20	17	34	1	Nut-Hex Jam
3229-1	2	31	1	Bolt-CARR
3229-1	5	7	2	Bolt-CARR
3229-1	27	17	2	Bolt-CARR
3229-1	28	22	2	Bolt-CARR
3230-1	2	36	2	Bolt-CARR
3230-1	29	10	2	Bolt-CARR
3230-2	3	32	2	Screw-CARR
3230-2	26	19	2	Screw-CARR
3230-16	1	19	4	Screw-CARR
3230-16	15	22	10	Screw-CARR
3230-16	19	11	2	Screw-CARR
3231-22	18	12	1	Bolt-CARR
3231-25	2	1	2	Screw-CARR
3231-25	6	27	2	Screw-CARR
3231-25	20	6	2	Screw-CARR
3231-25	26	26	2	Screw-CARR
3232-5	10	19	2	Screw-CARR
3234-29	15	9	4	Screw-HHF
3235-22	2	7	5	Screw-HH
3235-22	3	10	2	Screw-HH
3235-22	7	32	2	Screw-HH
3243-5	7	18	4	Screw-Set
3247-2	8	10	1	Screw-Set
3250-29	15	4	4	Screw
3250-31	24	5:8	5	Screw
3253-3	2	26	3	Washer-Lock
3253-3	8	38	2	Washer-Lock
3253-3	24	8	1	Washer-Lock
3253-3	27	20	2	Washer-Lock
3253-3	28	12	3	Washer-Lock
3253-4	16	43	4	Washer-Lock
3253-4	27	3	4	Washer-Lock
3253-17	24	5:9	5	Lockwasher
3256-3	9	8	4	Washer-Flat
3256-22	2	27	3	Washer-Flat

\*Not Illustrated

# Toro Part Number Index (cont.)

Part No.	Page No.	Ref. No.	Qty.	Description
3256-22	2	29	1	Washer-Flat
3256-22	5	31	2	Washer-Flat
3256-22	24	7	1	Washer-Flat
3256-22	26	17	1	Washer-Flat
3256-22	27	19	2	Washer-Flat
3256-22	28	16	1	Washer-Flat
3256-23	1	3	12	Washer-Flat
3256-23	12	9	2	Washer-Flat
3256-23	15	12	17	Washer-Flat
3256-23	19	14	1	Washer-Flat
3256-23	26	15	4	Washer-Flat
3256-23	27	2	6	Washer-Flat
3256-23	28	7	2	Washer-Flat
3256-24	2	18	5	Washer-Flat
3256-24	3	12	16	Washer-Flat
3256-24	3	27	2	Washer-Flat
3256-24	7	34	2	Washer-Flat
3256-24	10	5	4	Washer-Flat
3256-24	18	13	1	Washer-Flat
3256-24	20	8	3	Washer-Flat
3256-24	22	13	2	Washer-Flat
3256-24	23	14	2	Washer-Flat
3256-24	24	21	1	Washer-Flat
3256-25	26	21	1	Washer-Flat
3256-26	10	14	2	Washer-Flat
3256-26	17	28	1	Washer-Flat
3256-26	23	6	2	Washer-Flat
3256-28	10	10	2	Washer-Flat
3256-42	4	14	1	Washer-Flat
3256-55	22	11	1	Washer-Flat
3256-57	11	15	1	Washer-Flat
3256-57	17	25	1	Washer-Flat
3256-61	1	24	2	Washer-Flat (Only On: 73551)
3257-24	17	26	1	Key-Woodruff
3269-12	12	1:3	6	Rivet-Pop
3269-12	27	5	2	Rivet-Pop
3272-1	11	8	1	Pin-Cotter
3272-6	7	33	2	Pin-Cotter
3272-10	10	15	2	Pin-Cotter
3272-10	12	15	1	Pin-Cotter
3272-10	18	6	1	Pin-Cotter
3272-10	20	7	2	Pin-Cotter
3272-10	22	12	1	Pin-Cotter
3272-10	23	7	2	Pin-Cotter
3272-18	6	24	2	Pin-Cotter
3274-14	19	3	6	Screw-HSH
3274-31	12	2	4	Screw-HH
3290-221	3	22	2	Washer-Spring
3290-379	28	1	1	Tie-Cable
3290-392	19	8	2	Screw-HH
3290-479	15	19	18	Fastener-Panel
3296-1	19	12	2	Locknut
3296-2	19	1	6	Nut Lock
3296-6	20	22	1	Nut-Lock
3296-6	21	2	1	Nut-Lock
3296-6	22	4	1	Nut-Lock
3296-8	26	4	3	Nut-Lock
3296-8	27	31	2	Nut-Lock
3296-8	28	14	4	Nut-Lock
3296-23	26	9	2	Nut-Lock
3296-29	1	14	16	Nut-Lock
3296-29	2	10	3	Nut-Lock

\*Not Illustrated

# Toro Part Number Index (cont.)

Part No.	Page No.	Ref. No.	Qty.	Description
3296-29	3	34	2	Nut-Lock
3296-29	4	16	4	Nut-Lock
3296-29	5	20	2	Nut-Lock
3296-29	6	7	2	Nut-Lock
3296-29	9	9	8	Nut-Lock
3296-29	12	8	3	Nut-Lock
3296-29	15	14	27	Nut-Lock
3296-29	17	12	7	Nut-Lock
3296-29	19	4	2	Nut-Lock
3296-29	20	16	2	Nut-Lock
3296-29	21	5	1	Nut-Lock
3296-29	26	23	2	Nut-Lock
3296-29	27	30	6	Nut-Lock
3296-29	28	9	4	Nut-Lock
3296-29	29	13	2	Nut-Lock
3296-39	1	20	4	Nut-Lock
3296-39	2	3	10	Nut-Lock
3296-39	3	13	8	Nut-Lock
3296-39	4	6	4	Nut-Lock
3296-39	6	1	2	Nut-Lock
3296-39	10	3	15	Nut-Lock
3296-39	18	1	1	Nut-Lock
3296-39	20	2	6	Nut-Lock
3296-39	22	16	1	Nut-Lock
3296-39	23	2	4	Nut-Lock
3296-39	24	12	1	Nut-Lock
3296-39	26	2	10	Nut-Lock
3296-42	2	30	1	Nut-Lock
3296-42	5	5	2	Nut-Lock
3296-42	11	13	2	Nut-Lock
3296-45	17	29	1	Nut
3296-48	10	9	2	Nut-Lock
3296-61	6	15	1	Nut-Hex
32120-64	8	13	1	Ring-Retaining
32121-16	18	10	1	Pin-Roll
32121-79	10	11	2	Roll Pin
32128-30	17	18	1	Nut-Flange
32144-4	15	32	2	Screw-TAP
32144-4	28	17	1	Screw-TAP
32144-20	15	30	4	Screw
32144-32	14	14	2	Screw-Plastic
32144-42	1	25	2	Screw-HH TAP (Only On: 73551)
32151-29	8	34	2	Ring-Ext. Snap
32152-4	28	24	2	Locknut
33103-020	5	12	1	Screw-HHF
33103-025	5	26	3	Screw-HHF
353-783	26	10	2	Ftg-Fuel
741-0556	24	16	75.5	Hose-.25 Id X .50 Od

