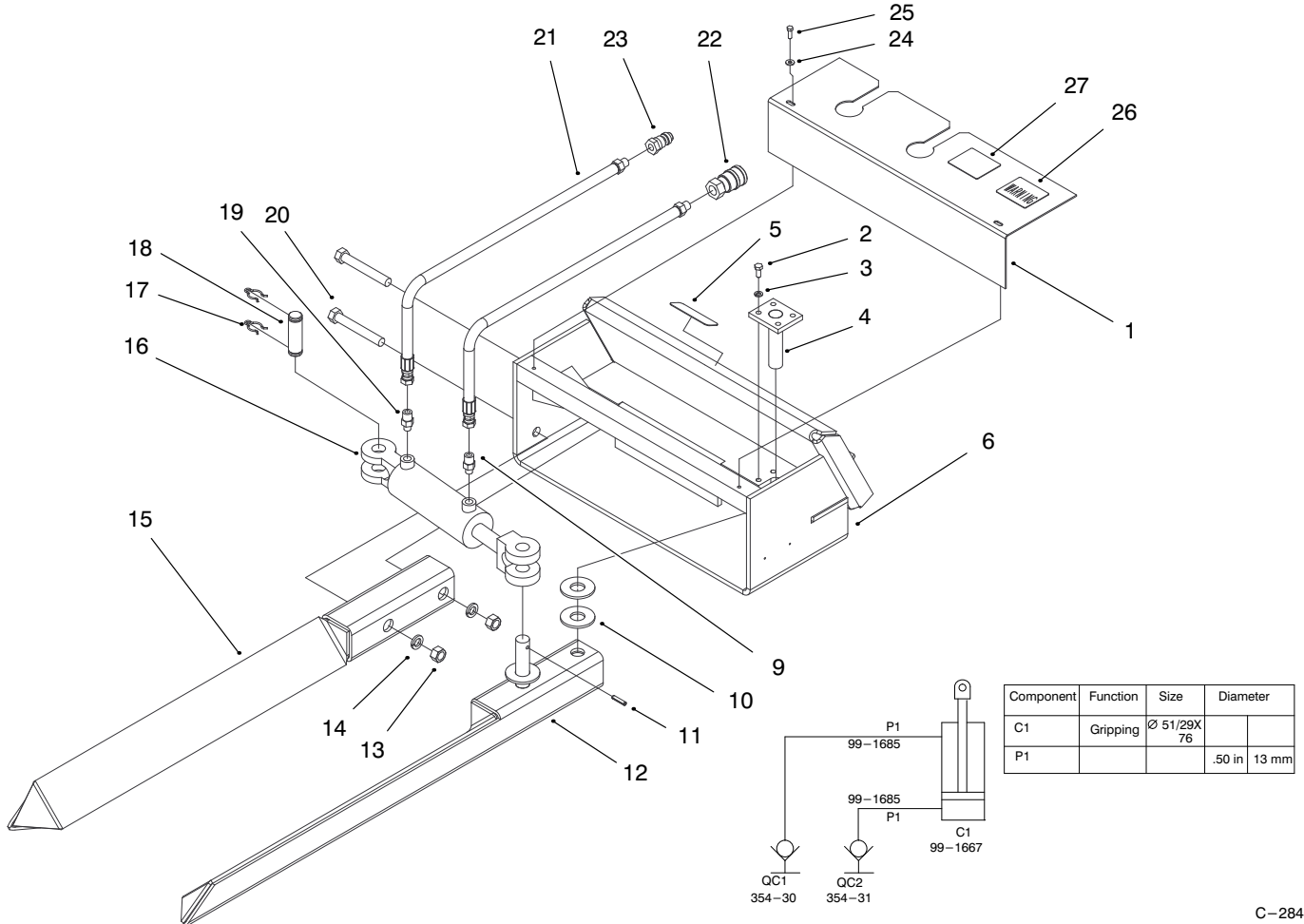




MODEL NO. 22438-890001 & UP

**PARTS
CATALOG**

TREE FORKS
For Toro Siteworks Systems



Component	Function	Size	Diameter
C1	Gripping	∅ 51/29X 76	
P1			.50 in 13 mm

C-2848

TREE FORKS ASSEMBLY

Ref. No.	Part No.	Description	No. Used
1	99-1669	Shield - Cylinder (Incl. Ref. #26 And #27)	1
2	3274-10	Screw - Socket Hd.	4
3	3253-4	Washer - Lock	4
4	99-1672	Pin Assembly	1
5	98-4683	Decal - Sitework	1
6	99-1680	Frame	1
9	99-1686	Connector - Straight	1
10	3256-10	Washer	2
11	32121-9	Pin - Roll	1
12	99-1683	Pivot Arm LH	1
13	3219-6	Nut - Hex	2
14	3253-8	Washer - Lock	2
15	99-1682	Pivot Arm RH	1

Ref. No.	Part No.	Description	No. Used
16	99-1667	Cylinder	1
*	99-1698	Seal Kit for Cylinder 99-1667	1
17	99-1689	Clip - Pin	2
18	99-1688	Pin - Cylinder Pivot	1
19	99-1687	Connector - Straight	1
20	3214-15	Screw - HH	2
21	99-1685	Hose - Hyd.	2
22	354-30	Quick Coupler - Female	1
23	354-31	Quick Coupler - Male	1
24	3256-1	Washer - Flat	2
25	3274-8	Screw - Hex Socket Hd.	2
26	100-4650	Decal - Warning	1
27	100-4690	Decal - Load	1

* Not Illustrated