



Hydraulic Breaker

For Toro® Siteworks Systems

Model No. 22441 – 200000001 and Up

Parts Catalog

Ordering Replacement Parts

To order replacement parts, please supply: the part number, the quantity, and the description of each part desired.

Understanding Reference Numbers

Each identified part in an illustration has a reference number. The reference number for a part also appears in the parts list, along with other information about the part.

This catalog uses two special reference number formats, one to indicate parts in a service assembly and another to indicate the quantity of a given part in an illustration.

Service Assembly Reference Numbers

Parts in service assemblies have reference numbers in the form **a:b**. The **a** represents the reference number of the entire service assembly and the **b** represents a sequential number unique to each part within the service assembly.

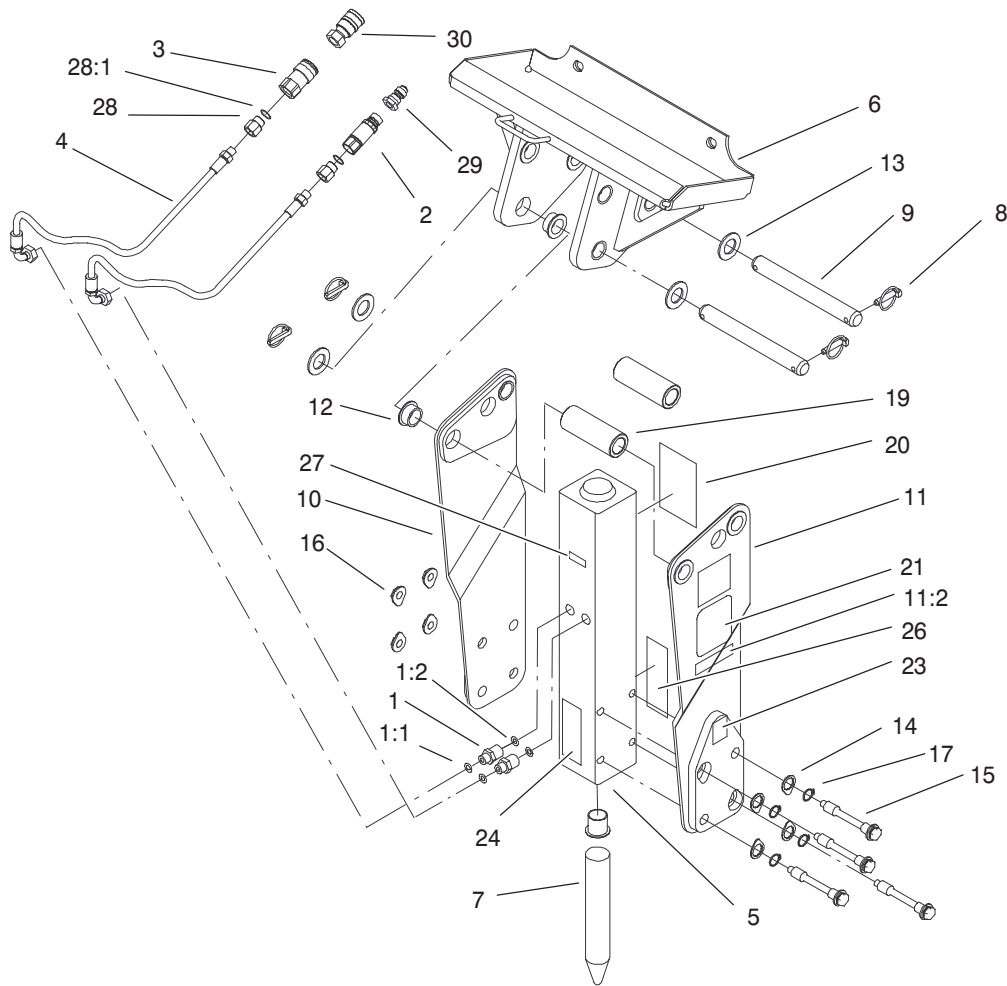
For example, a wheel assembly might be identified by reference number **6**, the tire by **6:1**, the valve by **6:2**, and the wheel by **6:3**. When you order the assembly identified by reference number **6**, you receive all parts identified by reference numbers **6:1**, **6:2**, and **6:3**. However, you may also order any part individually.

Reference numbers of this type appear in illustrations and in part lists.

Reference Numbers Indicating Quantity

In an illustration, if a reference number indicates more than one part, the reference number has the form **nX y**. The **n** represents the quantity of the part, the **X** is the multiplication symbol, and the **y** represents the reference number.

For example, in an illustration, the reference number **2X 37** means that two of the parts identified by reference number **37** are indicated.



Sheet No.:1

Breaker Assembly

Ref. No.	Part No.	Qty.	Description
1	340-6	2	Fitting-Straight
1:1	237-30	1	O-Ring
1:2	237-80	1	O-Ring
2	100-4701	1	Nipple-Connect, Pressure
*2:1	100-6120	1	Kit-Seal
3	100-4234	1	Coupler-Face, Flush
*3:1	100-6119	1	Kit-Seal
4	99-1652	2	Hose - Hydraulic
5	99-4309	1	Power Head - Breaker
6	99-4310	1	Assembly - Attach Plate
7	99-4312	1	Tool Bit
8	99-4314	4	Pin - Lynch
9	99-4315	2	Pin - Mounting
10	99-4365	1	Side Plate Service-LH
10:2	99-4353	1	Decal-Ce Composite
11	99-4366	1	Side Plate Service-RH
11:2	99-4353	1	Decal-Ce Composite
12	99-4318	10	Bushing - Breaker
13	99-4319	4	Washer
14	99-4339	4	Lock Plate
15	99-4340	4	Bolt-Side Plate
16	99-4341	4	Nut - Side Plate
17	99-4342	4	Snap Ring
19	99-4345	2	Spacer

Ref. No.	Part No.	Qty.	Description
20	99-4348	1	Decal-Maintenance
21	99-4349	1	Decal - Siteworks Logo
23	99-4351	2	Decal-US Flag
24	99-4352	1	Decal-Not Underwater
26	99-4354	1	Decal-Grease
27	99-4356	1	Decal-Nitrogen
28	100-4617	2	Adapter-Hyd
28:1	237-80	1	O-Ring
29	100-4702	1	Disconnect-Quick, Male
30	100-4703	1	Disconnect-Quick, Female
*30:1	100-4165	1	Seal
*99	99-4363	1	Tool-Line Cut Chisel
*99	99-4364	1	Tool-line Cut, Asphalt

* Not illustrated

