



Z-Master
Compact Series Z150
with 52" Side Discharge Mower
Model No. 74172-20000001 and Up

Parts Catalog

Ordering Replacement Parts

To order replacement parts, please supply: the part number, the quantity, and the description of each part desired.

Understanding Reference Numbers

Each identified part in an illustration has a reference number. The reference number for a part also appears in the parts list, along with other information about the part.

This catalog uses two special reference number formats, one to indicate parts in a service assembly and another to indicate the quantity of a given part in an illustration.

Service Assembly Reference Numbers

Parts in service assemblies have reference numbers in the form **a:b**. The **a** represents the reference number of the entire service assembly and the **b** represents a sequential number unique to each part within the service assembly.

For example, a wheel assembly might be identified by reference number **6**, the tire by **6:1**, the valve by **6:2**, and the wheel by **6:3**. When you order the assembly identified by reference number **6**, you receive all parts identified by reference numbers **6:1**, **6:2**, and **6:3**. However, you may also order any part individually.

Reference numbers of this type appear in illustrations and in part lists.

Reference Numbers Indicating Quantity

In an illustration, if a reference number indicates more than one part, the reference number has the form **nX y**. The **n** represents the quantity of the part, the **X** is the multiplication symbol, and the **y** represents the reference number.

For example, in an illustration, the reference number **2X 37** means that two of the parts identified by reference number **37** are indicated.

Contents

Description	Page	Description	Page
Front Frame Assembly	3	Group 2 Crankcase Assembly	18
Height of Cut Handle and Plates	4	Group 3 Oil Pan/Lubrication Assembly	19
Main Frame	5	Group 4 Head/Valve/Breather Assembly	20
Fuel System Assembly	7	Group 4 Head/Valve/Breather Assembly	21
Parking Brake System Assembly	8	Group 5 Ignition/Electrical Assembly	22
Motion Control System Assembly	9	Group 5 Ignition/Electrical Assembly	23
Hydraulic System Assembly	10	Group 6 Blower Housing & Baffles Assembly ..	24
Pump, Idler and Belt Assembly	11	Group 6 Blower Housing & Baffles Assembly ..	25
Engine and Clutch Assembly	12	Group 7 Starting System Assembly	26
Electrical System Assembly	13	Group7 Starting System Assembly	27
52" Deck Assembly	14	Group 8 Fuel System Assembly	28
52" Deck Spindle Assembly	15	Group 9 Engine Controls Assembly	30
Idler, Pulley/Lift Strut Chains Assembly	16	Group 10 Air Intake Assembly	31
Group 1 Crankshaft Assembly	17	Group 11 Exhaust Assembly	32

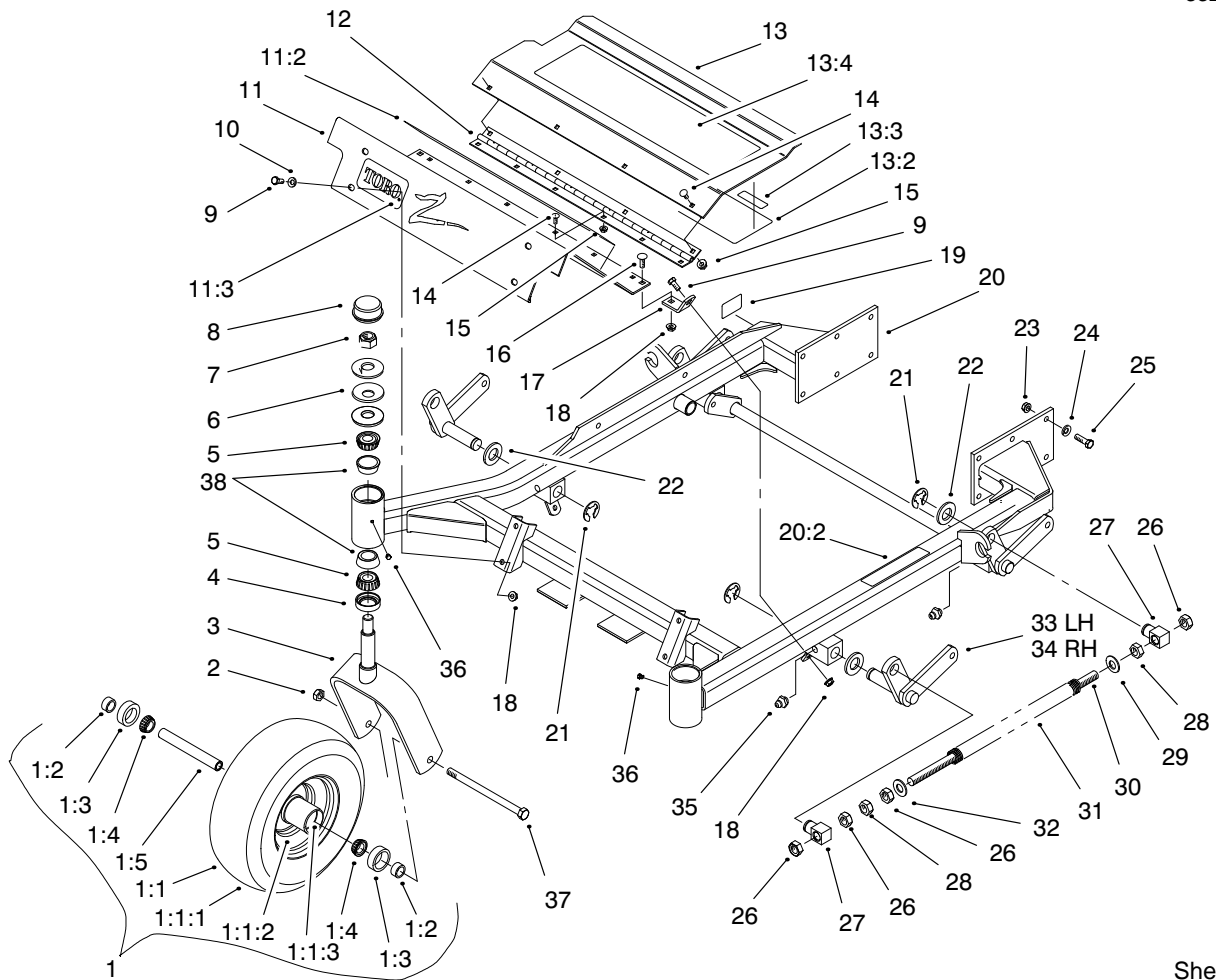
Accessories

Description	Model / Part No.	Description	Model / Part No.
Recycler Kit	59225	Grass Gobbler	30131
Bahaia Mulch Kit	59227	Striping Kit	30121
High Sail Blades		High Suspension Seat	74210
(3 required for improved bagging)	56–2390	High Shield Kit	99–8922
Bagging System	79460	Hitch Kit	99–8924

Part Description Abbreviations

Part descriptions in this catalog may include the following abbreviations.

Abbreviation	Meaning	Abbreviation	Meaning
AR	as required	INC	incorporated
ASM	assembly	LH	left hand
CARR	carriage	NI	nylon insert
DEG	degrees	PPH	Phillips pan head
FH	flat head	PTH	Phillips truss head
GA	gauge	PTO	power take off
HF	hex flange	RH	right hand
HH	hex head	SFH	slotted fillister head
HHF	hex head flange	SHH	slotted hex head
HLH	hex lag head	SQH	square head
HJ	hex jam	SHWH	slotted hex washer head
HOC	height-of-cut	SPH	slotted pan head
HS	hex socket	SRH	slotted round head
HSBH	hex socket button head	STD	standard
HSFH	hex socket flat head	TAP	self tapping
HSH	hex socket head	TTH	Torx truss head
HWH	hex washer head	WH	wing head
HWHTF	hex washer head thread forming		

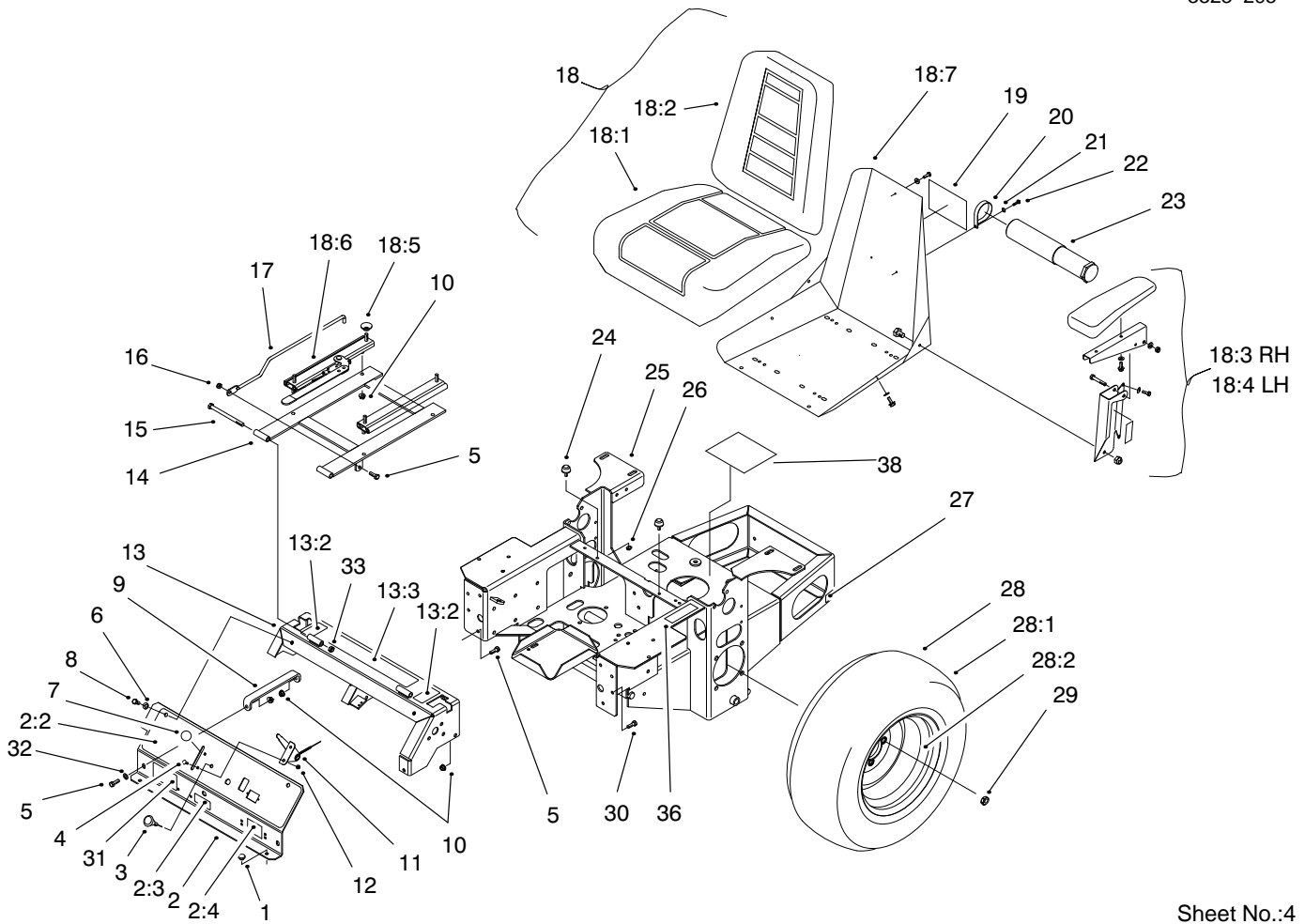


Sheet No.:2

Front Frame Assembly

Ref. No.	Part No.	Qty.	Description
1	E632586	2	Caster Wheel ASM
1:1	E633582	1	Wheel & Tire ASM
1:1:1	E633002	1	Tire
1:1:2	E633583	1	Wheel
1:1:3	254-79	2	Bearing-Roller, Cup
1:2	E633581	2	Spacer-Bearing
1:3	E633580	2	Seal-Bearing
1:4	254-78	2	Cone-Bearing
1:5	E633579	1	Spacer-Caster, Front
2	3296-45	2	Nut-Lock NI
3	E632511	2	Caster
4	E543511	2	Seal-Grease
5	254-94	4	Bearing-Taper/Cone
6	E633508	6	Washer-Belleview
7	3296-51	2	Nut-Lock NI
8	E543513	2	Cap-Grease
9	322-3	6	Screw-HH
10	3256-23	4	Washer-Flat
11	99-3940	1	Floorpan-Front
11:2	E633553	1	Pad-Antiskid
11:3	E633737	1	Decal- Z-Master
12	E653049	1	Hinge-Floorpan
13	99-3930	1	Footrest ASM
13:2	99-3924	1	Decal-Service
13:3	98-5954	1	Decal-Missing, Cover
13:4	E633553	1	Pad-Antiskid

Ref. No.	Part No.	Qty.	Description
14	3229-10	10	Screw-CARR
15	32128-33	10	Nut-HF
16	3230-1	2	Screw-CARR
17	99-3870-01	2	Bracket-Floorpan
18	32128-20	8	Nut-HF
19	88-1270	1	Decal-Safety STD
20	99-3931	1	Front Frame ASM
20:2	E633818	1	Decal
21	32151-103	6	Ring-Snap
22	3256-29	6	Washer-Flat
23	3290-357	12	Nut-Flange, Lock
24	E303327	12	Washer-Spring, Disc
25	323-7	12	Screw-HH
26	3217-11	8	Nut-Hex
27	E633441	4	Swivel-Mount, Deck
28	3218-6	4	Nut-Jam
29	3256-7	2	Washer-Flat
30	E653011	2	Rod-Deck Lift
31	E653009	2	Spring-Assist, Lift
32	3256-27	2	Washer-Flat
33	99-3871-01	1	LH Lift Arm ASM
34	99-3872-01	1	RH Lift Arm ASM
35	302-58	4	Zerk
36	E811010	2	Plug-Swivel, Caster
37	E800339	2	Screw-HH
38	254-72	4	Bearing-Taper/Cup

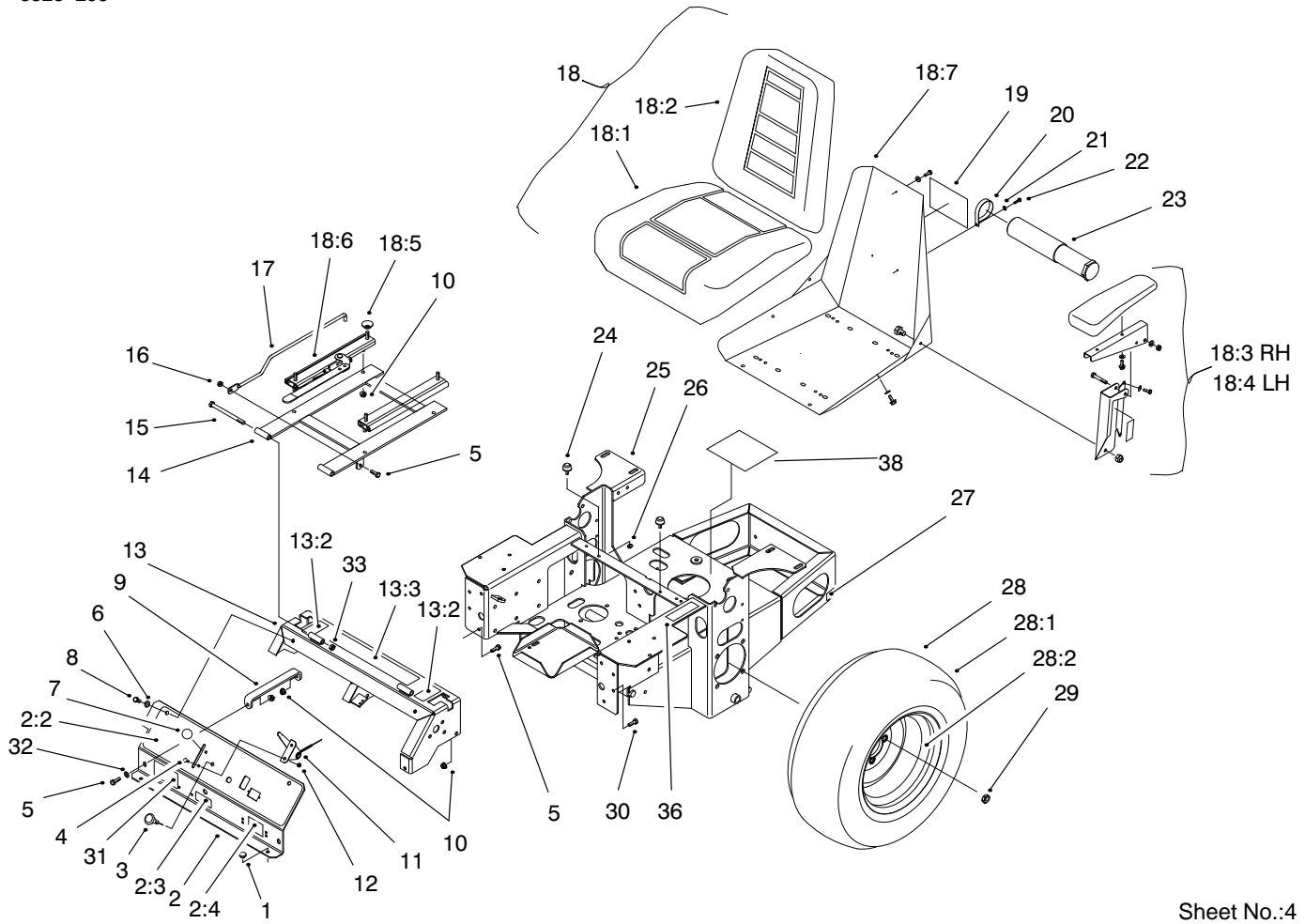


Sheet No.:4

Main Frame

Ref. No.	Part No.	Qty.	Description
1	E513658	2	Bumper-Catcher, Grass
2	99-3932	1	Control Panel ASM
2:2	99-3942	1	Decal-Panel, Control
2:3	E633346	1	Decal-Valve, Fuel
2:4	98-4387	1	Decal-Protection, Ear
3	E603336	1	Control-Choke, Push-Pull
4	E807513	2	Bolt-CARR
5	322-5	3	Screw-HH
6	3256-23	2	Washer-Flat
7	E513592	1	Knob-Ball, Red
8	322-3	3	Screw-HH
9	E653089	1	Bracket-Panel, Instrument
10	32128-20	12	Nut-HF
11	E633696	1	Cable-Throttle
12	3296-2	2	Nut-Lock
13	99-3933	1	Console ASM
13:2	E633354	2	Decal-Control, Motion
13:3	E513747	1	Decal-Battery
14	E632187	1	Frame-Seat
15	321-21	2	Screw-HH
16	3296-29	1	Nut-Lock
17	E653495	1	Rod-Hold Up, Seat
18	E633705	1	Seat ASM

Ref. No.	Part No.	Qty.	Description
18:1	E543407	1	Cushion-Seat
18:2	E633709	1	Cushion-Backrest
18:3	E633710	1	Armrest-RH
18:4	E633711	1	Armrest-LH
18:5	E543401	4	Spacer-Track
18:6	E643255	1	Track-Locking, 4"
18:7	E633859	1	Frame-Seat
19	93-7340	1	Decal-Toro
20	2412-120	2	R-Clamp
21	3256-14	2	Washer-Flat
22	32144-34	2	Screw-Forming, Thread
23	74-0720	1	Tube-Manual
24	E523420	2	Bumper
25	E652470	1	Frame-Main
26	32128-33	2	Nut-HF
27	65-2690	2	Decal-Surface, Hot
28	E653159	2	Wheel And Tire ASM
28:1	E653160	1	Tire
28:2	E653161	1	Wheel
29	E513011	8	Nut-Wheel
30	322-2	6	Screw-HH
31	99-4604	1	Decal-Z150
32	3256-3	2	Washer-Flat
33	3296-39	2	Nut-Lock, NI

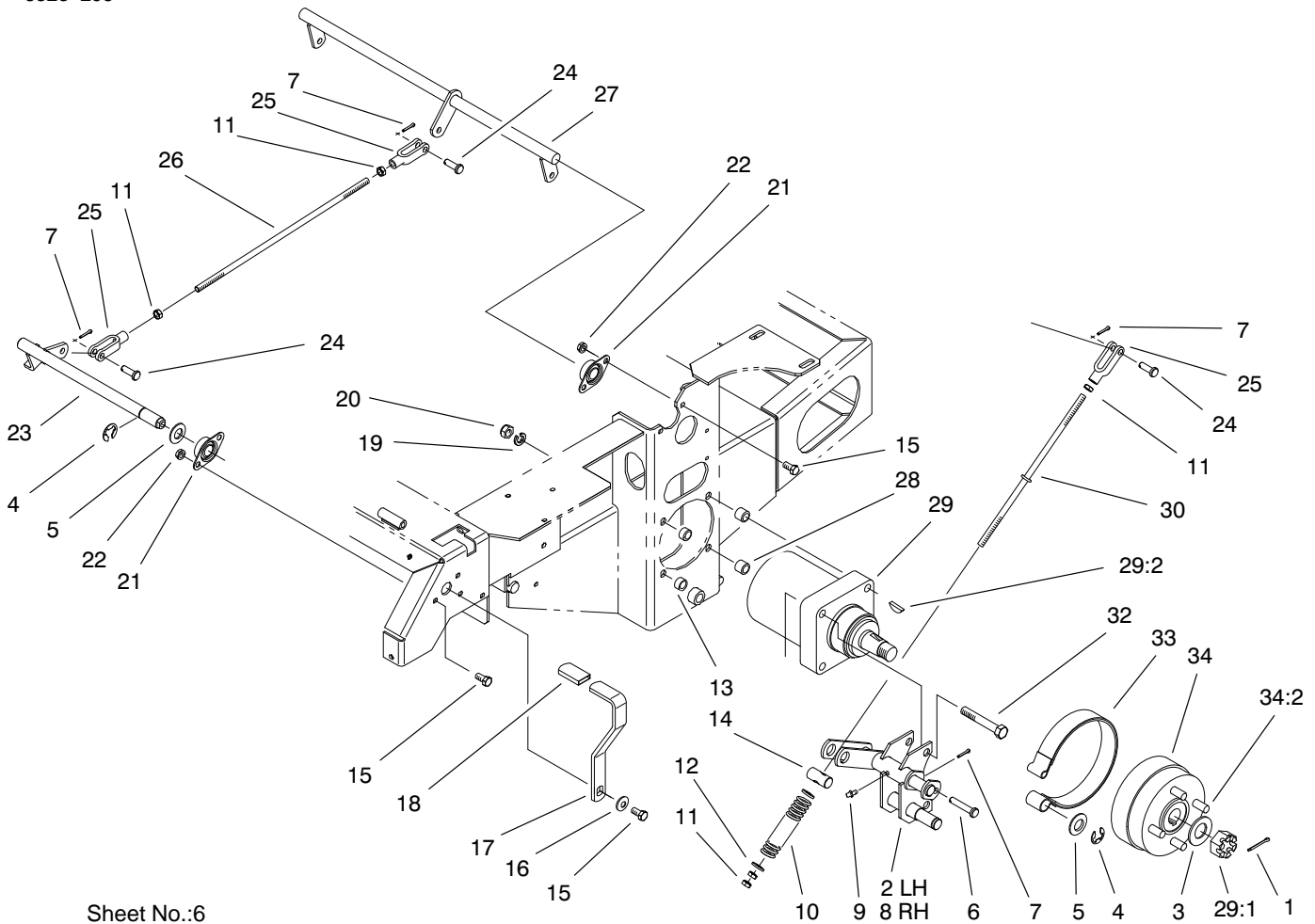


Sheet No.:4

Main Frame (Continued)

Ref. No.	Part No.	Qty.	Description
36	E603845	1	Decal-Release, Drive Wheel
38	E643372	1	Decal-Material, Hazardous

Ref. No.	Part No.	Qty.	Description

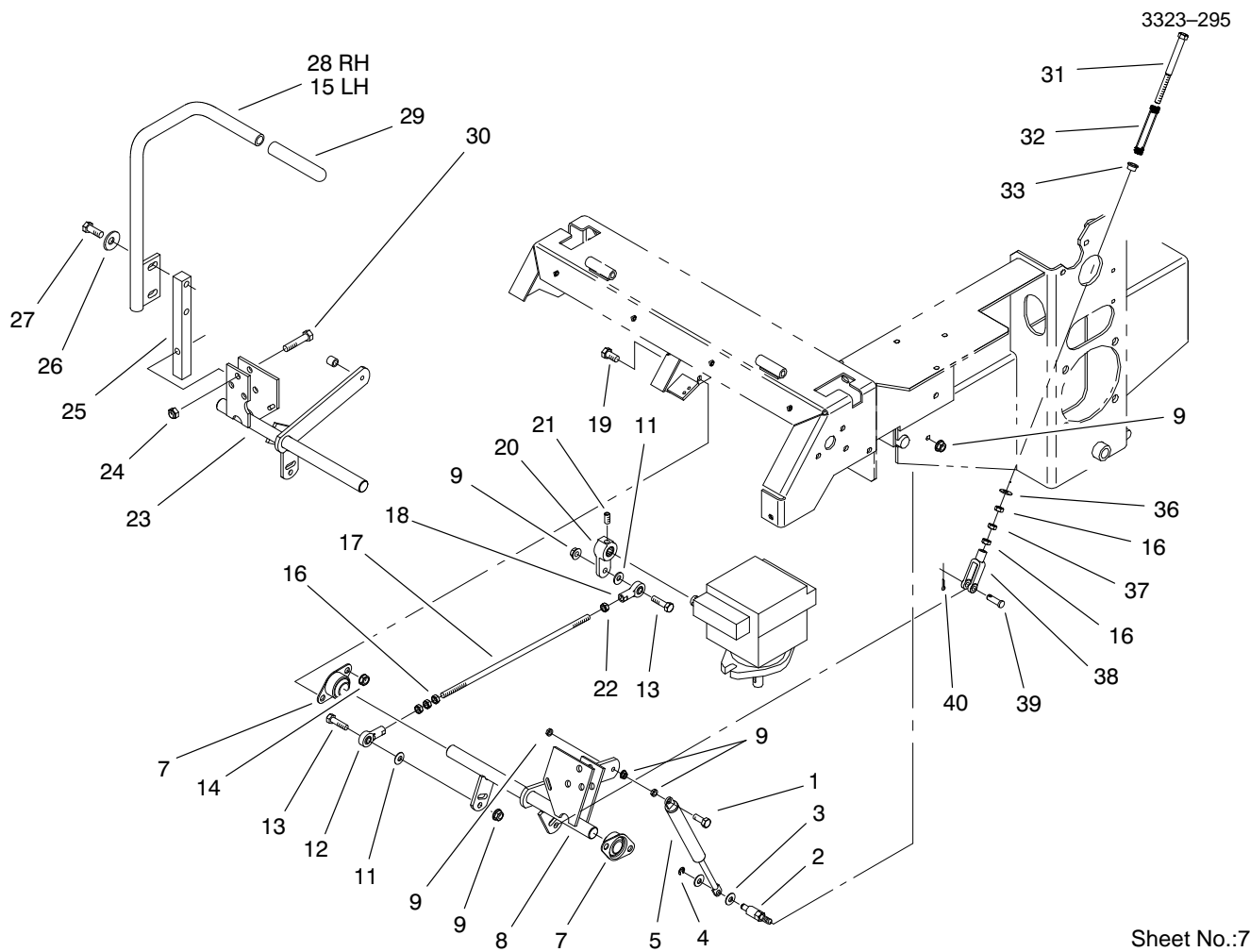


Sheet No.:6

Parking Brake System Assembly

Ref. No.	Part No.	Qty.	Description
1	E806800	2	Pin-Cotter
2	E652134	1	Bracket-Brake, LH
3	E523157	2	Spacer
4	E808514	3	Ring-Retaining
5	3256-28	3	Washer-Flat
6	E808283	2	Pin-Clevis
7	3272-10	6	Pin-Cotter
8	E652135	1	Bracket-Brake, RH
9	E811007	2	Fitting-Grease
10	E633454	2	Spring-Brake
11	3219-3	8	Nut-Hex
12	3256-4	4	Washer-Flat
13	E653069	4	Spacer
14	E633144	2	Pin-Trunion
15	323-4	9	Screw-HH
16	E303327	1	Washer-Spring, Disc
17	E653074	1	Handle-Brake, Park
18	E633268	1	Grip-Lever, Brake
19	3253-7	8	Washer-Lock/Sp
20	3217-9	8	Nut-Hex
21	E633102	4	Bearing-Flange, Side
22	3290-357	8	Nut-Flange, Lock
23	E652085	1	Shaft-Brake
24	E808285	4	Pin-Clevis
25	E633131	4	Yoke-Linkage, Brake

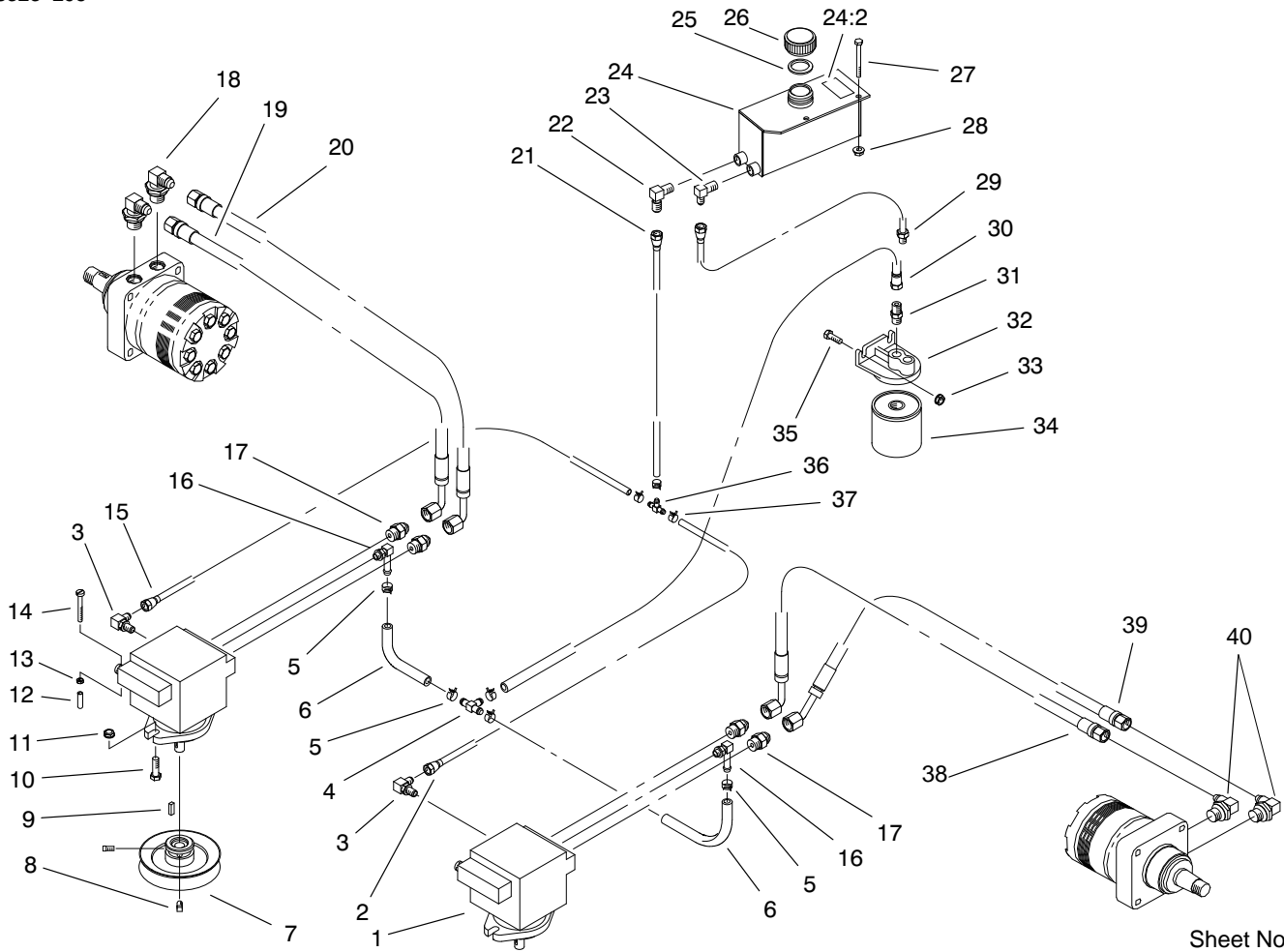
Ref. No.	Part No.	Qty.	Description
26	E653061	1	Linkage-Handle, Brake
27	E652073	1	Crank-Brake
28	E653068	4	Spacer
29	E523328	2	Motor-Wheel
29:1	E809036	1	Nut-Castle
29:2	E807020	1	Key-Woodruff
30	E633477	2	Rod-Brake
32	325-13	8	Screw-HH
33	E633693	2	Band-Brake
34	E634927	2	Hub And Drum ASM
34:2	E633926	4	Stud-Wheel



Sheet No.:7

Motion Control System Assembly

Ref. No.	Part No.	Qty.	Description	Ref. No.	Part No.	Qty.	Description
1	322-17	2	Screw-HH	29	E633257	2	Grip-Control, Motion
2	E653316	2	Pin-Dampner	30	323-9	6	Screw-HH
3	3256-23	6	Washer-Flat	31	E603737	2	Bolt-Return, Neutral
4	E808512	2	E-Ring	32	E603807	2	Spring-Return, Neutral
5	E523027	2	Damper-Control	33	E603735	2	Bushing-Flanged, Nylon
7	E633102	4	Bearing-Flange, Side	36	3256-2	2	Washer-Flat
8	E652467	1	Motion Control, LH	37	3220-2	2	Nut-Jam
9	32128-20	12	Nut-HF	38	E303105	2	Yoke-Adjustable
11	3256-3	4	Washer-Flat	39	E808280	2	Pin-Clevis
12	E543017	2	Joint-Ball	40	3272-5	2	Pin-Cotter
13	322-6	4	Screw-HH				
14	3290-357	8	Nut-Flange, Lock				
15	E632191	1	Lever-LH				
16	3219-2	10	Nut-Hex				
17	E653046	2	Link-Control, Pump				
18	E633152	2	Joint-Ball, LH Thread				
19	323-4	8	Screw-HH				
20	E653092	2	Arm-Control, Pump				
21	E803022	2	Screw				
22	E804524	2	Nut				
23	E652466	1	Motion Control, RH				
24	3296-39	6	Nut-Lock, NI				
25	E633177	2	Arm				
26	E303327	4	Washer-Spring, Disc				
27	323-6	4	Screw-HH				
28	E632193	1	Lever-RH				

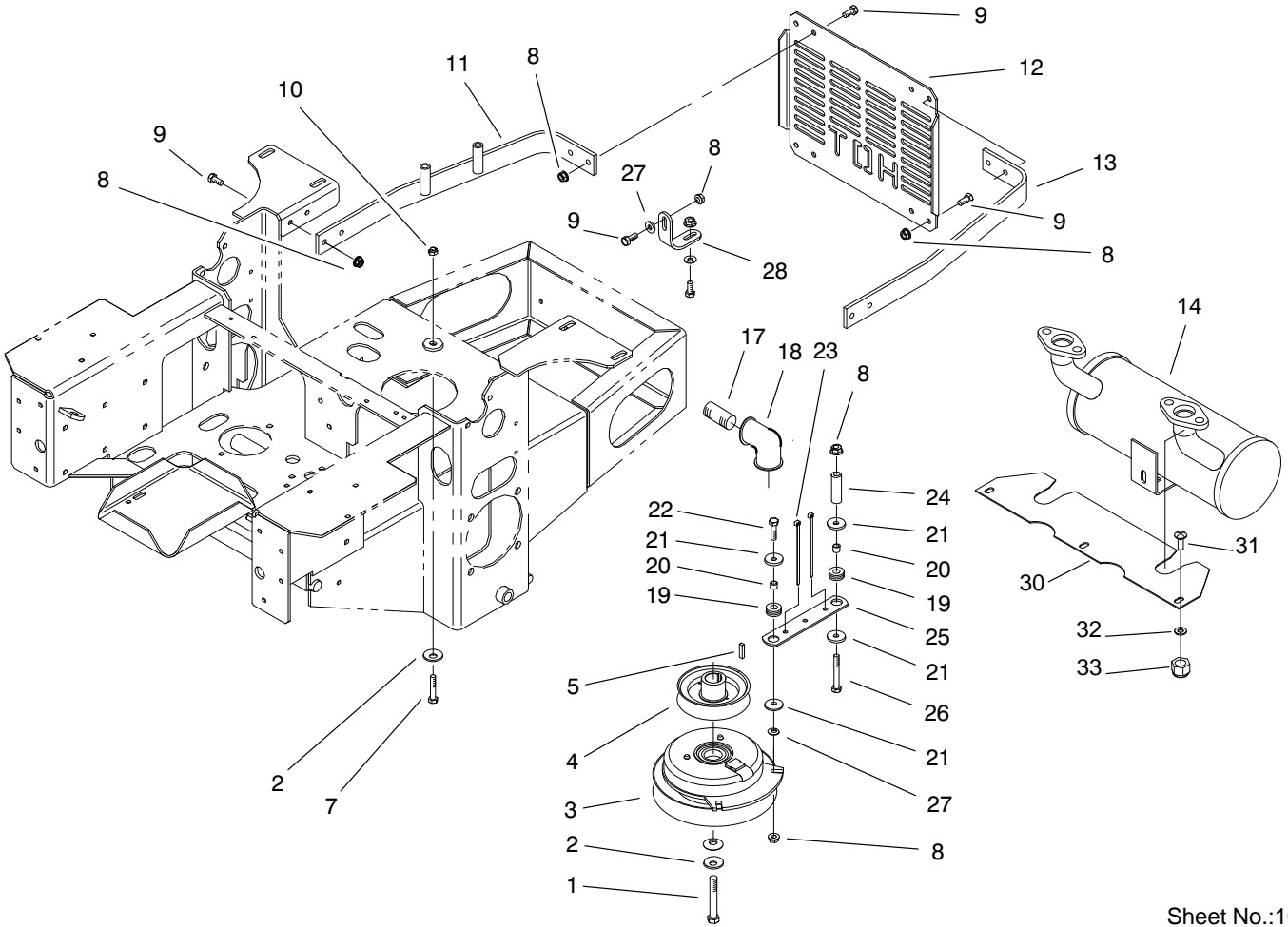


Sheet No.:8

Hydraulic System Assembly

Ref. No.	Part No.	Qty.	Description
1	E603841	2	Pump-Hydro
2	E632285	1	Hose-Pressure, Low
3	E513840	2	Elbow-90°
4	E603721	1	Fitting
5	E603827	5	Clamp-Hose
6	E413273	2	Hose-Pressure, Low
7	E653156	2	Sheave w/Hub
8	3242-4	4	Screw-Set, SQH
9	E807272	2	Key
10	323-7	4	Screw-HH
11	3290-357	4	Nut-Flange, Lock
12	E613073	2	Grip
13	3296-42	2	Nut-Lock
14	E801063	4	Screw-PPH
15	E632286	1	Hose-Pressure, Low
16	E603989	2	Elbow
17	E603990	4	Adapter
18	E633605	2	Elbow 90°
19	E653186	1	Hose
20	E653187	1	Hose
21	E654144	1	Hose
22	E603987	1	Elbow
23	E603988	1	Elbow
24	99-4625	1	Hydraulic Tank ASM
24:2	E523552	1	Decal - Hydraulic Tank, Hot Surface

Ref. No.	Part No.	Qty.	Description
25	E523103	1	Gasket-Tank/Cap
26	E513167	1	Cap-Reservior, Hydraulic
27	321-15	2	Screw-HH
28	32128-33	2	Nut-HF
29	E654320	1	Hose
30	E654509	1	Hose ASM
31	E513510	1	Connector-Male
32	E603720	1	Head-Filter
33	32128-20	2	Nut-HF
34	E633750	1	Filter-Hydro
34	E633752	1	Filter-Hydro, Winter
35	322-5	2	Screw-HH
36	E603722	1	Fitting
37	E603826	3	Clamp-Hose
38	E653409	1	Hose-Hyd
39	E653410	1	Hose-Hyd
40	E633786	2	Elbow 90°



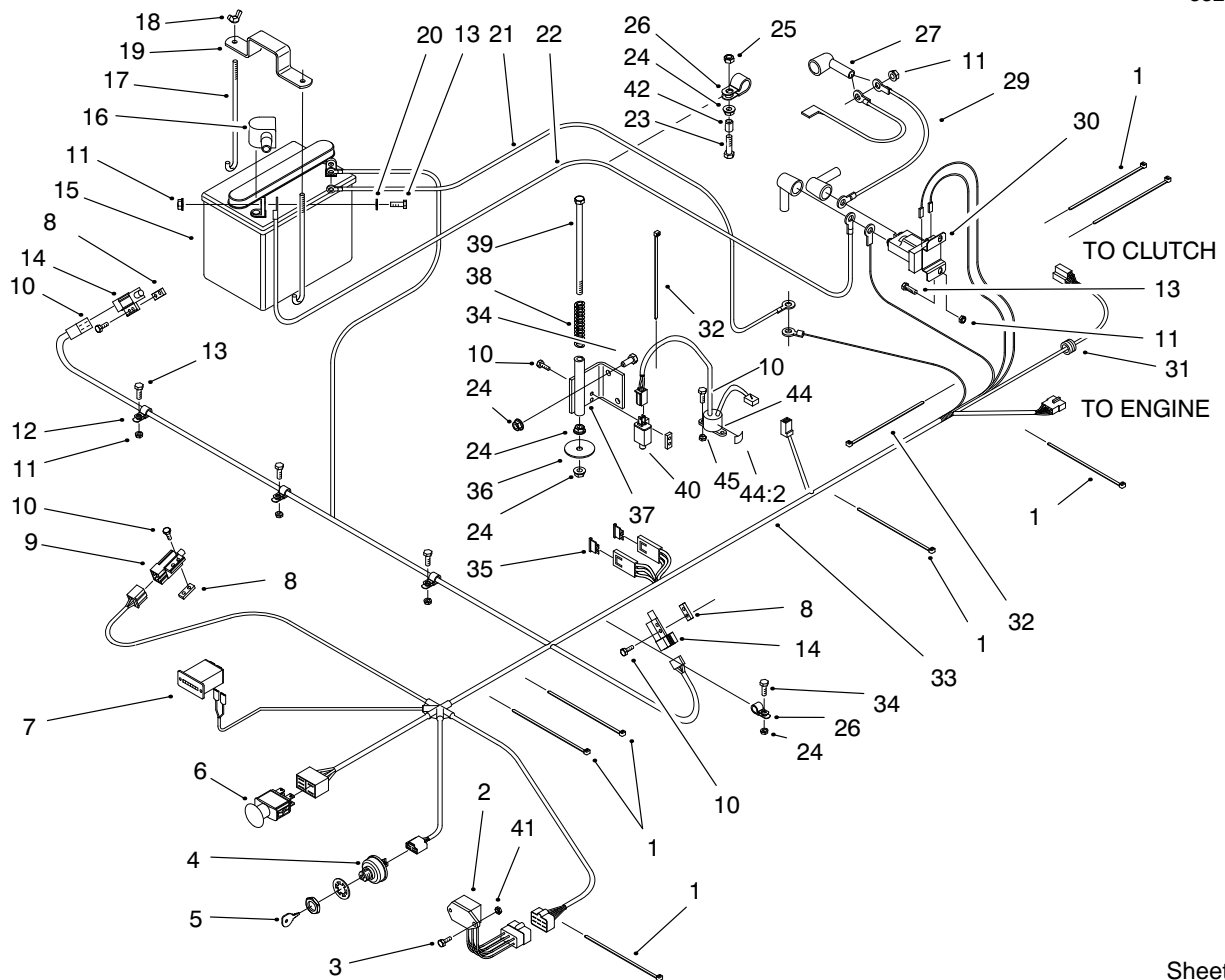
Sheet No.:10

Engine and Clutch Assembly

Ref. No.	Part No.	Qty.	Description
1	3212-10	1	Screw-HH
2	E603610	2	Washer-Spring, Disc
3	E653048	1	Clutch
4	E653035	1	Sheave-Pump Drive
5	E807259	1	Key
6	E543214	1	Spacer-Crankshaft
7	322-9	4	Screw-HH
8	32128-20	16	Nut-HF
9	322-3	14	Screw-HH
10	32128-20	4	Nut-HF
11	E652146	1	Strap-Guard, Engine
12	E653095	1	Shield-Guard, Engine
13	E653093	1	Strap-Guard, Engine
14	E653195	1	Muffler
17	E543064	1	Pipe Nipple
18	E303428	1	Elbow
19	E633630	2	Grommet
20	E633545	2	Spacer-Grommet
21	E613235	4	Washer
22	322-6	1	Screw-HH
23	E303335	2	Tie-Plastic
24	E523406	1	Bushing-Mount, Seat
25	E633543	1	Strap-Clutch/Brake
26	322-22	1	Screw-HH
27	3256-3	3	Washer-Flat

Ref. No.	Part No.	Qty.	Description
28	E653196	1	Bracket-Support, Muffler
*	E653251	1	Engine-20hp Kohler
30	E653539	1	Shield-Heat
31	3230-1	3	Screw-CARR
32	3256-23	3	Washer-Flat
33	3296-41	3	Nut-Lock NI

* Not Illustrated.

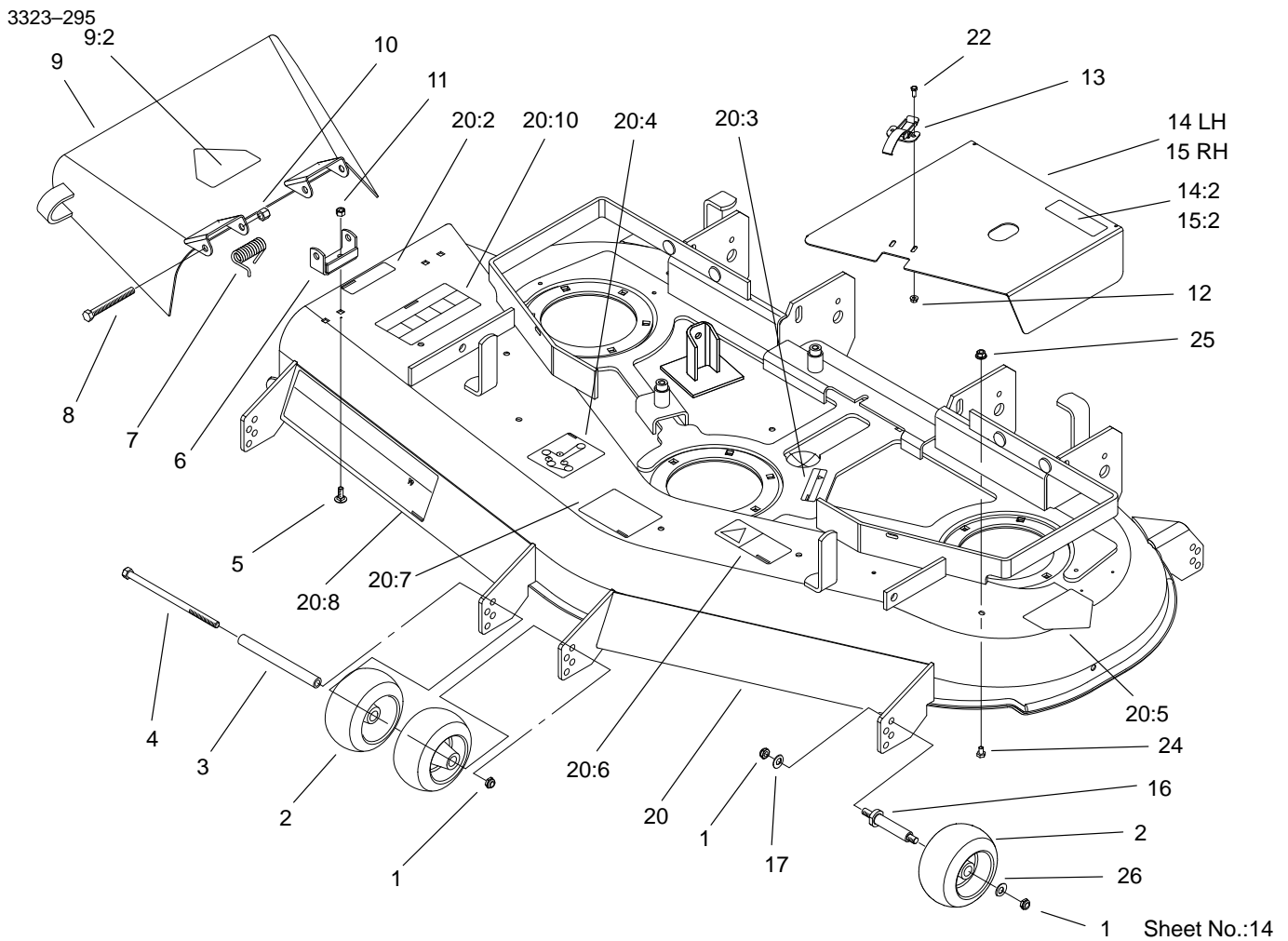


Sheet No.:11

Electrical System Assembly

Ref. No.	Part No.	Qty.	Description
1	E303335	7	Tie-Plastic
2	E543316	1	Module-Safety
3	E807533	2	Bolt-CARR
4	E543070	1	Switch-Ignition
5	63-8360	2	Key-Ignition
6	E633673	1	Switch-PTO
7	E513374	1	Meter-Hours, Engine
8	E633181	4	Plate-Tapped
9	E633110	1	Switch-Brake
10	32104-81	10	Screw-Head, Pan
11	32128-33	8	Nut-HF
12	E323229	3	Clip-Loom
13	321-4	7	Screw-HH
14	E633111	2	Switch-Lever, Drive
15	E603479	1	Battery-12v
16	E543391	1	Insulator-Battery
17	E633651	2	Bolt-Hold Down, Battery
18	E543792	2	Wingnut-Nyloc
19	E633652	1	Strap-Hold Down, Battery
20	3256-2	2	Washer-Flat
21	E523282	1	Cable-Ground
22	E523281	1	Cable-Battery
23	E800279	1	Bolt-TAP
24	32128-20	6	Nut-HF

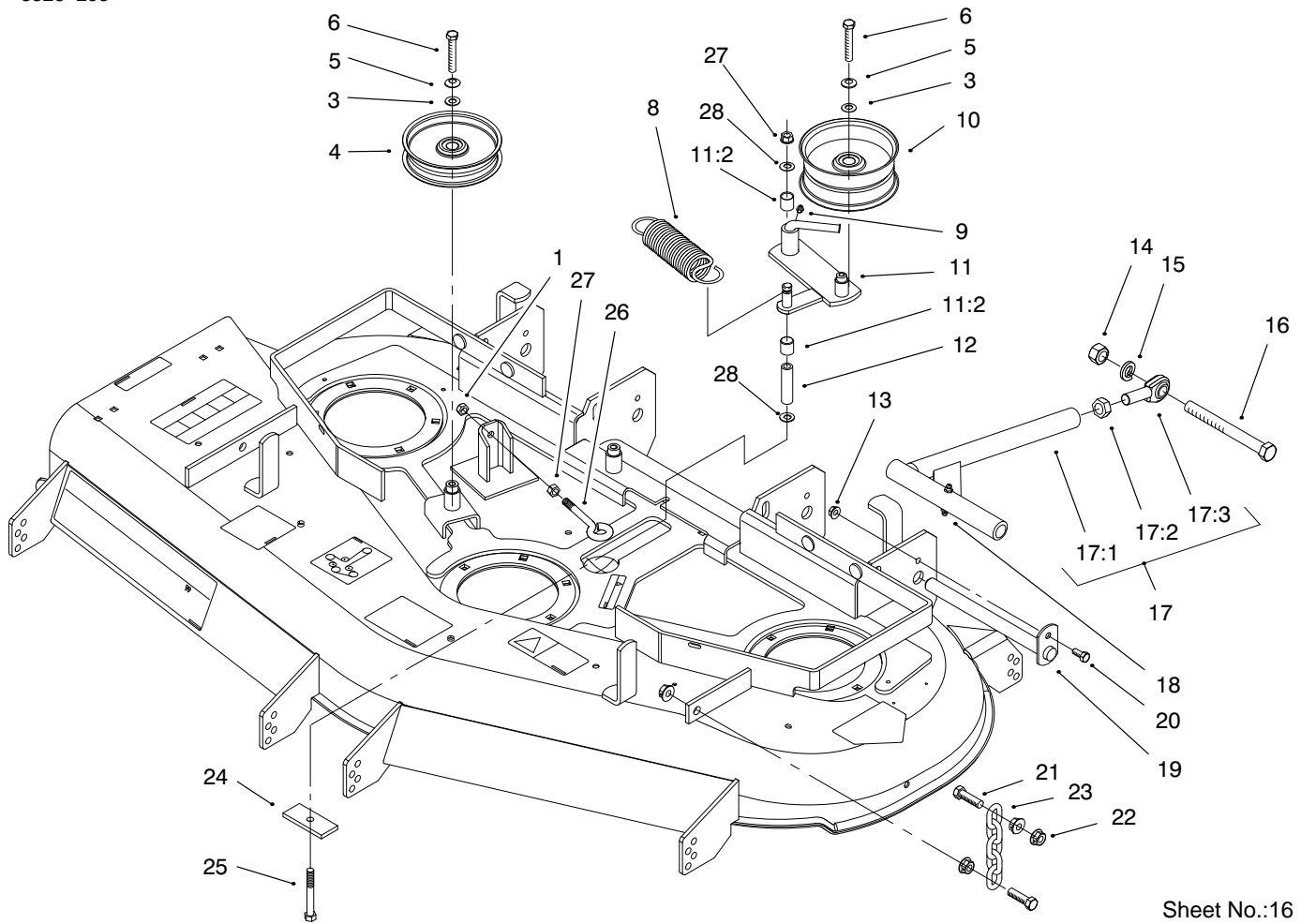
Ref. No.	Part No.	Qty.	Description
25	E804256	1	Nut-Hex, Nyloc
26	E633396	2	Clip-Loom
27	E543393	3	Insulator-Solenoid
28	E543084	1	Wire-Starter Solonoid
29	E633306	1	Wire-Starter
30	E513075	1	Switch-Solenoid, 12v
31	E543286	1	Grommet
32	E303287	2	Tie-Plastic
33	E653154	1	Harness-Wiring
34	322-3	3	Screw-HH
35	E816001	2	Fuse-Blade Type, 20 Amp
36	E653036	1	Washer
37	E652072	1	Bracket-Switch, Seat
38	E523415	1	Spring-Switch, Seat
39	E800282	1	Screw-HH
40	E513152	1	Switch-Seat
41	3296-2	2	Nut-Lock
42	E633082	1	Bushing-Lever, Lift
44	E633782	1	Switch-Tilt
44:2	E643401	1	Decal
45	3296-2	2	Nut-Lock



52" Deck Assembly

Ref. No.	Part No.	Qty.	Description
1	3290-357	9	Nut-Flange, Lock
2	68-2730	6	Wheel-Gage
3	98-5967	1	Spacer-Wheel
4	323-28	1	Screw-HH
5	3230-18	4	Screw-CARR
6	29-5590-01	2	Bracket-Pivot
7	40-6230	2	Spring
8	3211-15	2	Screw-HH
9	98-5984	1	Deflector ASM
9:2	54-9220	1	Decal-Danger
10	3296-5	2	Nut-Lock, NI
11	32152-1	4	Nut-Lock
12	32128-17	4	Nut-Flange, Lock
13	249-21	2	Clamp-Slotted
14	99-3896	1	LH Cover ASM
14:2	67-5360	1	Decal-Danger
15	99-3895	1	RH Cover ASM
15:2	67-5360	1	Decal-Danger
16	99-2842	4	Spacer-Wheel
17	E303327	4	Washer-Spring, Disc
20	99-3875	1	52" Deck ASM
20:2	66-6380	1	Decal-Danger
20:3	98-5954	3	Decal-Missing, Cover
20:4	99-3943	1	Decal-Routing, Belt
20:5	43-8480	1	Decal-Danger

Ref. No.	Part No.	Qty.	Description
20:6	93-7818	1	Decal-Torque, Blade Bolt
20:7	98-3798	1	Decal-Wheel, Gage
20:8	98-5953	1	Decal-Sfs
20:10	66-1340	1	Decal-Danger
22	3290-321	4	Screw-HWH
24	321-1	6	Screw-HH
25	32128-33	6	Nut-HF
26	E373034	4	Washer-Swivel

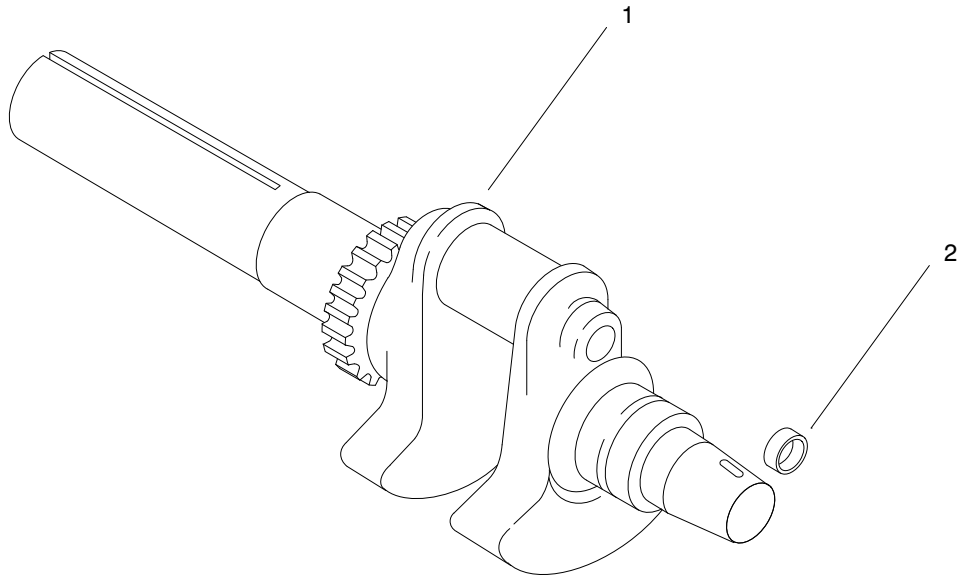


Sheet No.:16

Idler, Pulley/Lift Strut Chains Assembly

Ref. No.	Part No.	Qty.	Description
1	3217-7	1	Nut-Hex
3	3256-24	3	Washer-Flat
4	E613098	2	Pulley-Idler
5	E303327	3	Washer-Spring, Disc
6	323-6	3	Screw-HH
8	E633151	1	Spring-Extension
9	E811008	1	Fitting-Grease
10	E413099	1	Pulley-Idler
11	99-3879	1	Idler Arm ASM w/Bushings
11:2	E513034	2	Bearing-Pivot
12	E603384	1	Bushing-Pivot, Idler
13	3296-41	2	Nut-Lock NI
14	3217-11	2	Nut-Hex
15	3253-8	2	Washer-Lock/Sp
16	E800344	2	Screw-HH
17	E634726	2	Strut ASM
17:1	E632690	1	Strut
17:2	3219-6	1	Nut-Hex
17:3	E633029	1	End-Rod, Spherical
18	302-58	4	Zerk
19	E632199	2	Pin-Strut, Deck
20	322-3	2	Screw-HH
21	324-6	8	Screw-HH
22	32128-37	16	Nut-Hex Flange
23	E633447	4	Chain-Lift, Deck

Ref. No.	Part No.	Qty.	Description
24	99-3946-01	1	Plate-Retainer, Bolt
25	E800805	1	Screw-HH
26	94-2547	1	Eyebolt
27	3296-39	2	Nut-Lock, NI
28	E809107	2	Washer-hardened

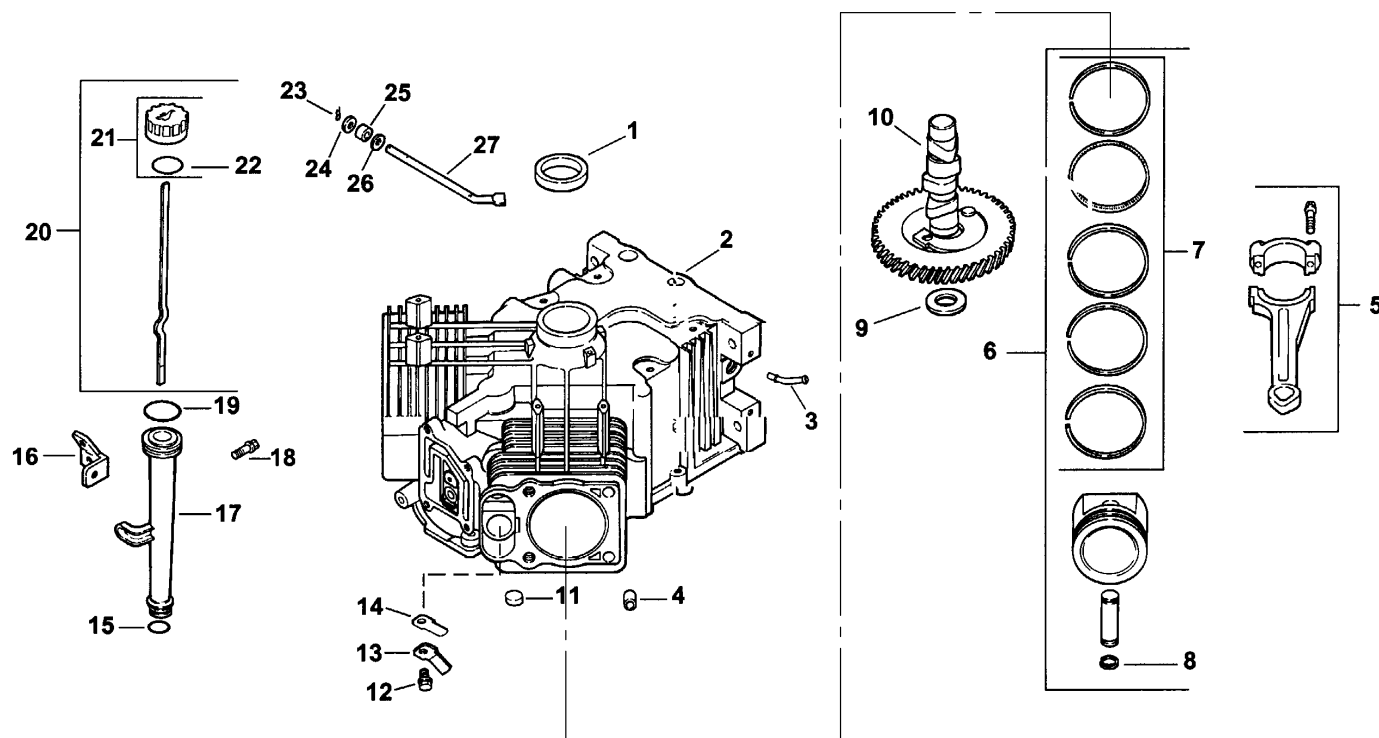


Group 1 Crankshaft Assembly

Ref. No.	Part No.	Qty.	Description
1	24 014 32	2	Crankshaft
2	52 139 09	1	Plug, cap

Ref. No.	Part No.	Qty.	Description

Obtain Parts From Kohler

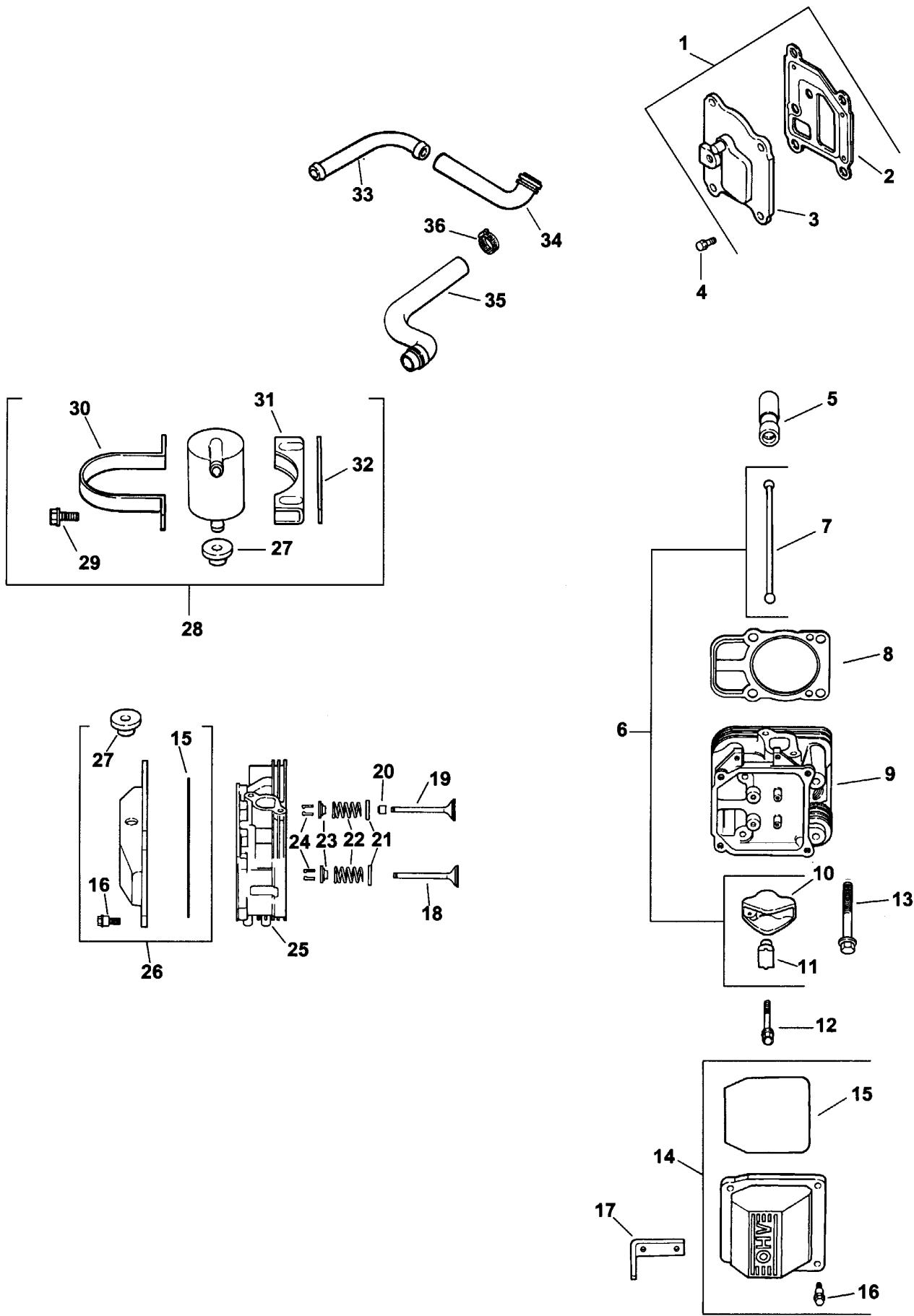


Group 2 Crankcase Assembly

Ref. No.	Part No.	Qty.	Description	Ref. No.	Part No.	Qty.	Description
1	24 032 01	1	Seal, oil front	15	12 153 01	1	O-Ring, lower oil fill
2	24 782 05	1	Cylinder Block	16	24 126 19	1	Bracket, oil fill tube
3	24 294 13	1	Fitting	17	12 123 04	1	Tube, oil fill
4	12 380 17	6	Pin, dowel locating	18	M-0545016	1	Screw, hex. flange
5	24 067 13	2	Connecting Rod (Std.)	19	12 153 02	1	O-Ring, upper oil fill
6	24 067 14	2	Connecting Rod (.25)	20	24 038 04	1	Dipstick assembly (Includes 21,22)
	24 874 01	2	Piston w/Ring Set Std. (Includes 7-8)	21	25 755 13	1	Kit, oil fill cap (Includes 22)
	24 874 02	2	Piston w/Ring Set (.25)	22	12 153 03	1	O-Ring, dipstick
	24 874 03	2	Piston w/Ring Set (.50)	23	12 380 04	1	Pin, hitch
7	24 108 01	2	Ring Set (Std.)	24	M-0631005	1	Washer, plain 6 mm
	24 108 02	2	Ring Set (.25)	25	12 032 01	1	Seal, gvrn. cross shaft
	24 108 03	2	Ring Set (.50)	26	X-25-102	1	Washer, plain 1/4"
8	24 018 01	4	Retainer, piston pin	27	24 144 01	1	Shaft, governor cross
9	12 422 09	A/R	Shim, camshaft red				
	12 422 13	A/R	Shim, camshaft black				
	12 422 07	A/R	Shim, camshaft white				
	12 422 08	A/R	Shim, camshaft blue				
	12 422 10	A/R	Shim, camshaft yellow				
	12 422 11	A/R	Shim, camshaft green				
	12 422 12	A/R	Shim, camshaft gray				
10	24 012 10	1	Camshaft				
11	52 139 09	1	Plug, cup				
12	M-0545010	2	Screw, hex. flange				
13	24 018 04	2	Retainer, reed				
14	24 402 05	2	Reed, breather				

Obtain Parts From Kohler

Group 4 Head/Valve/Breather Assembly



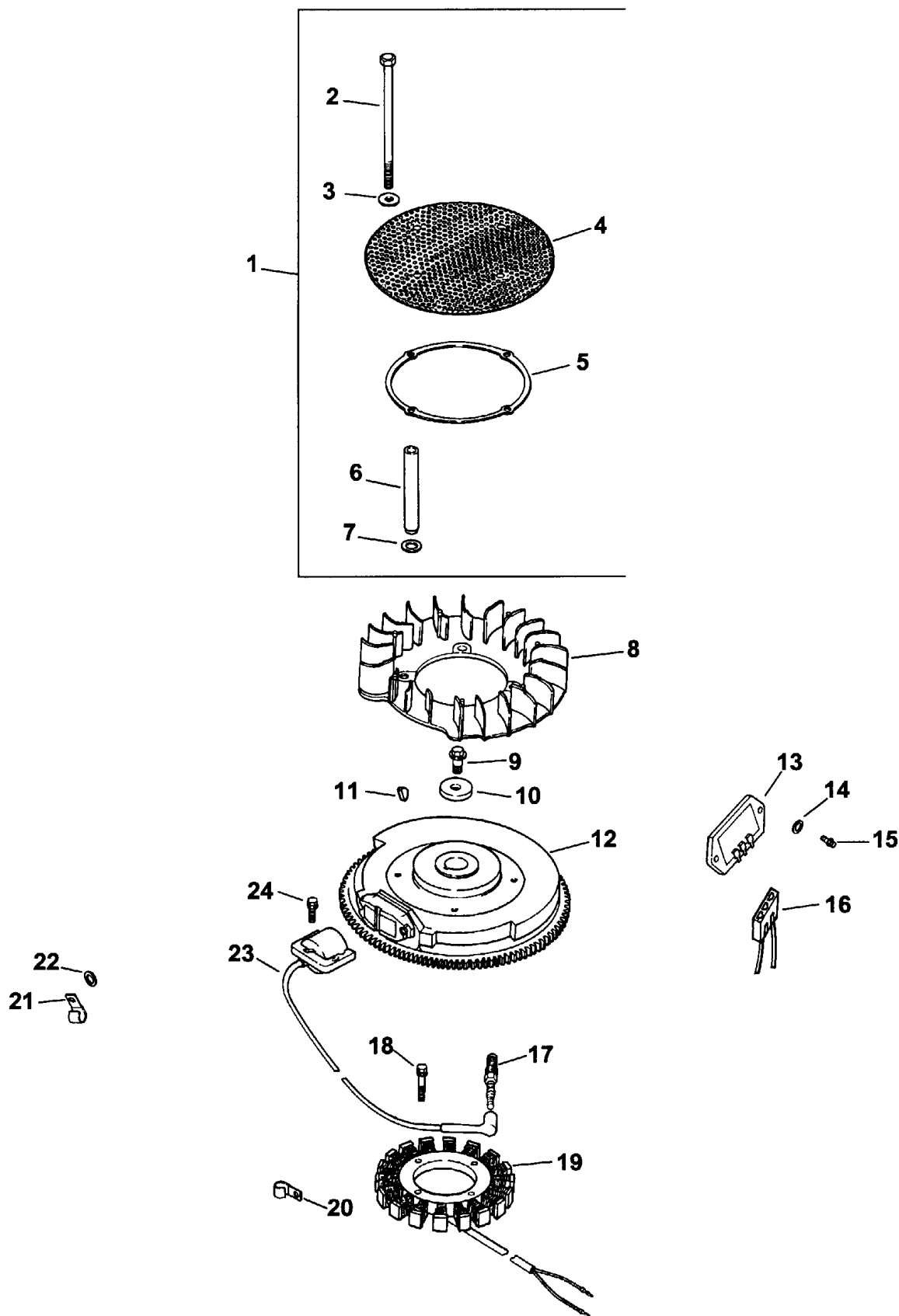
Group 4 Head/Valve/Breather Assembly

Ref. No.	Part No.	Qty.	Description
1	24 033 03	1	Kit, breather cover w/gasket (Incl. 2,3)
2	24 041 23	1	Gasket, breather
3	24 096 59	1	Cover, breather
4	M-0645020	4	Screw, hex. flange
5	25 351 01	4	Lifter, valve
6	24 755 66	1	Kit, valve train (Includes 7,10,11)
7	24 411 05	4	Rod, push
8	24 041 08	2	Gasket, cylinder head
9	24 318 12	1	Head assembly, #2 cylinder
10	25 186 01	4	Arm, rocker
11	24 599 01	4	Pivot, rocker arm
12	M-0640034	4	Screw, hex. flange
13	12 086 16	8	Screw, hex. flange
14	24 755 74	1	Kit, valve cover – plain (Includes 15,16)
15	24 153 16	1	O-Ring
16	24 086 32	4	Screw, shoulder
17	24 445 01	1	Strap, lifting
18	24 016 01	2	Valve, exhaust (Std.)
	24 016 02	2	Valve, exhaust (.25)
19	24 017 01	2	Valve, intake (Std.)
	24 017 02	2	Valve, intake (.25)
20	24 032 05	2	Seal, valve stem
21	235011	4	Retainer, spring
22	24 089 02	4	Spring, valve
23	12 173 01	4	Cap, valve spring
24	12 755 03	4	Kit, retainer
25	24 318 11	1	Head assembly, #1 cylinder
26	24 755 76	1	Kit, valve cover breather (Incl. 15,16,27)
27	25 313 02	1	Grommet, rubber
28	24 755 57	1	Kit, breather separator (Includes 27,29-32)
29	M-0545016	2	Screw, hex. flange
30	24 445 02	1	Strap, breather
31	24 126 44	1	Bracket, breather separator
32	24 112 12	1	Spacer
33	24 294 06	1	Fitting
34	24 326 13	1	Hose, breather
35	24 326 14	1	Hose, breather
36	X-426-9	2	Clamp, hose 1/2"

Ref. No.	Part No.	Qty.	Description

Obtain Parts From Kohler

Group 5 Ignition/Electrical Assembly



Group 5 Ignition/Electrical Assembly

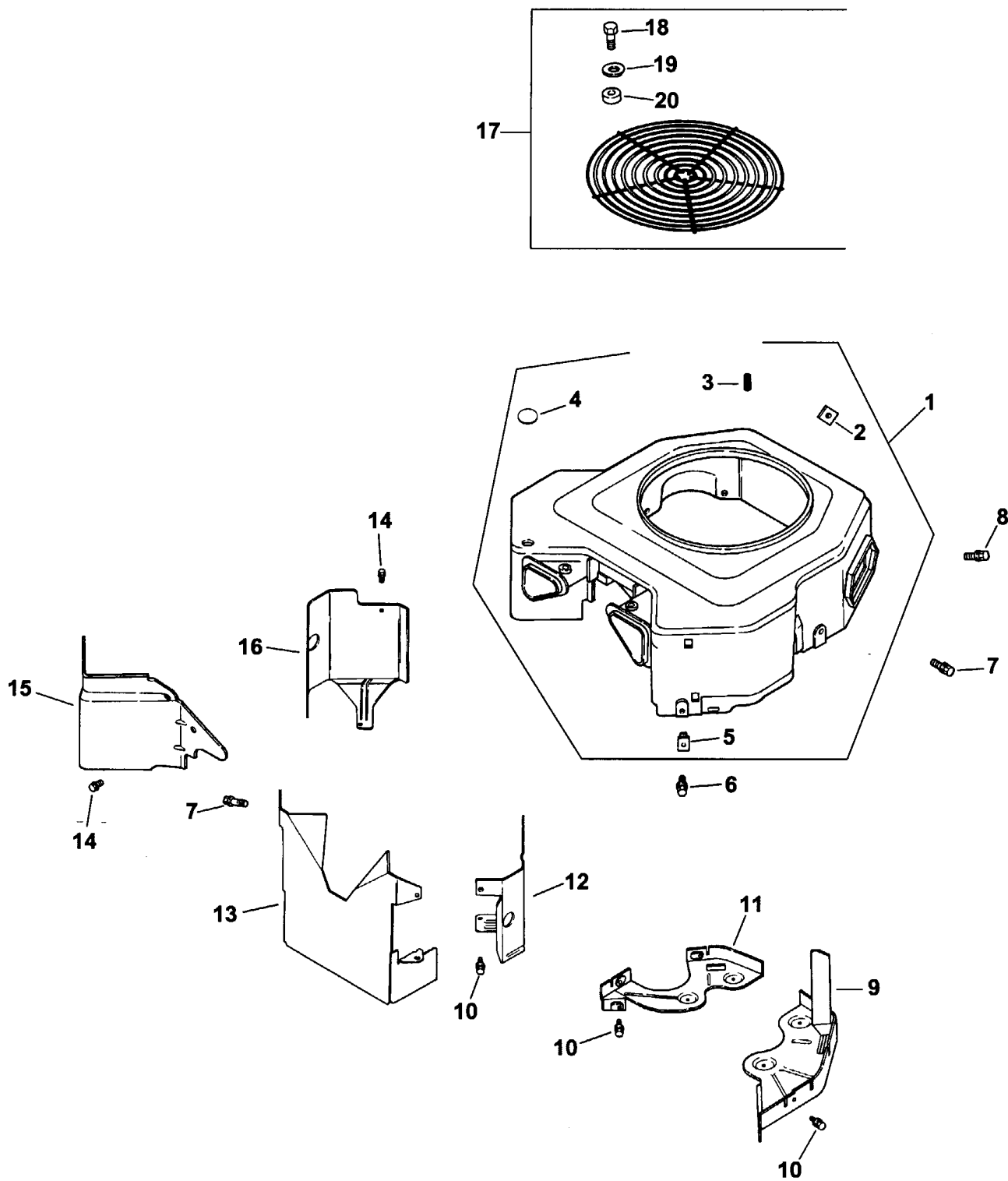
Ref. No.	Part No.	Qty.	Description
1	24 755 79	1	Kit, chopper screen (Includes 2-7)
2	M-0603100	4	Screw, hex. cap
3	X-25-53	4	Washer, plain 1/4"
4	24 162 25	1	Screen, grass
5	24 141 06	1	Ring, support
6	24 112 14	4	Spacer, grass screen
7	24 468 11	4	Washer, spring 10 mm
8	24 157 03	1	Fan
9	12 086 14	1	Screw, hex. flange
10	12 468 03	1	Washer, plain 3/8"
11	X-42-15	1	Key
12	24 025 04	1	Flywheel
13	25 403 03	1	Rectifier-regulator
14	X-25-92	2	Washer, plain 3/16"
15	24 086 18	2	Screw, phillips hd.
16	236602	1	Connector (3 contact)
17	12 132 06	2	Spark Plug
18	M-0548025	2	Screw, hex. cap
19	54 755 09	1	Kit, 15 amp stator (Includes Bracket, stator wire 24 126 71)
20	235173	1	Clip, cable
21	48 154 02	1	Clip, cable
22	X-25-63	1	Washer, plain 1/4"
23	24 584 01	2	Module, ignition
24	M-0545020	4	Screw, hex. flange
*	24 126 71	1	Bracket, stator wire
*	X-22-11	1	Washer, plain 1/4" (to ground rectifier-regulator)
*	25 086 43	1	Screw, set
*	24 176 07	1	Harness, wiring
*	25 518 28	1	Lead, black (rectifier-regulator 4" 18 gauge - insulated grip barrel eyelets)

Ref. No.	Part No.	Qty.	Description

Obtain Parts From Kohler

* Not Illustrated

Group 6 Blower Housing & Baffles Assembly



Group 6 Blower Housing & Baffles Assembly

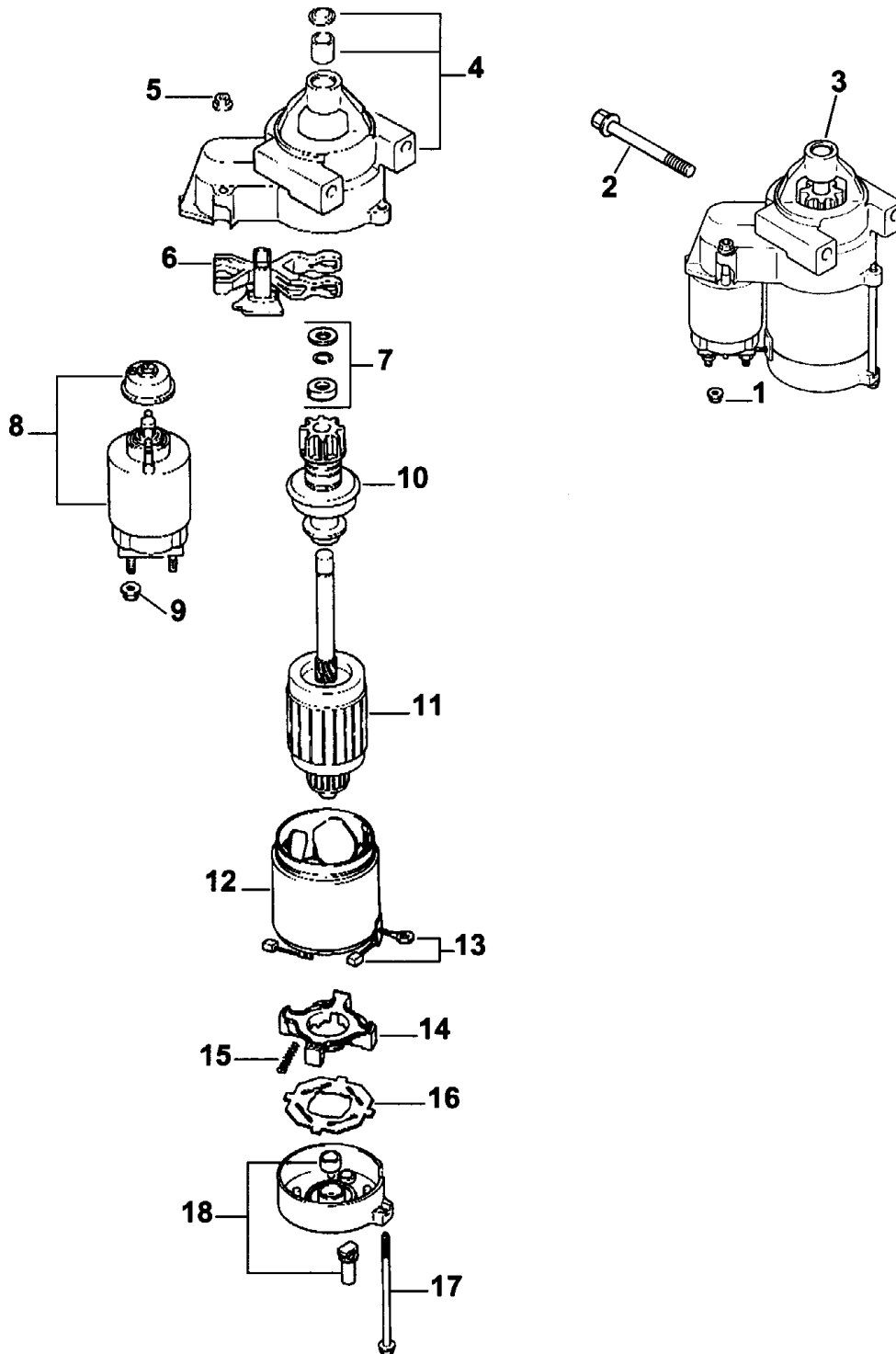
Ref. No.	Part No.	Qty.	Description
1	24 027 28	1	Housing, blower (Includes 2-5)
2	24 100 01	3	Nut, plastic
3	25 086 43	1	Screw, set
4	25 139 16	1	Plug, button 9/16"
5	24 100 02	2	Nut, plastic
6	M-0567020	4	Screw, hex. flange
7	M-0545016	3	Screw, hex. flange
8	M-0551016	1	Screw, hex. flange
9	24 146 02	1	Plate, backing # 2 side
10	M-0645016	6	Screw, hex. flange
11	24 146 08	1	Baffle, valley - #1 side
12	24 063 20	1	Baffle, cylinder barrel # 2 side
13	24 063 23	1	Baffle, valley - #1 side
14	M-0545010	2	Screw, hex. flange
15	24 063 14	1	Baffle, valley - #2 side
16	24 063 30	1	Baffle, cylinder barrel # 1 side
17	24 755 94	3	Kit, guard (Includes 18-20, Threaded insert [Qty. 3] 24 332 01)
18	24 086 39	3	Screw, pan hd.
19	24 468 10	3	Washer, flat 1/4"
20	24 112 09	3	Spacer
*	24 332 01	4	Insert, threaded
*	24 113 67	1	Decal, 20 HP

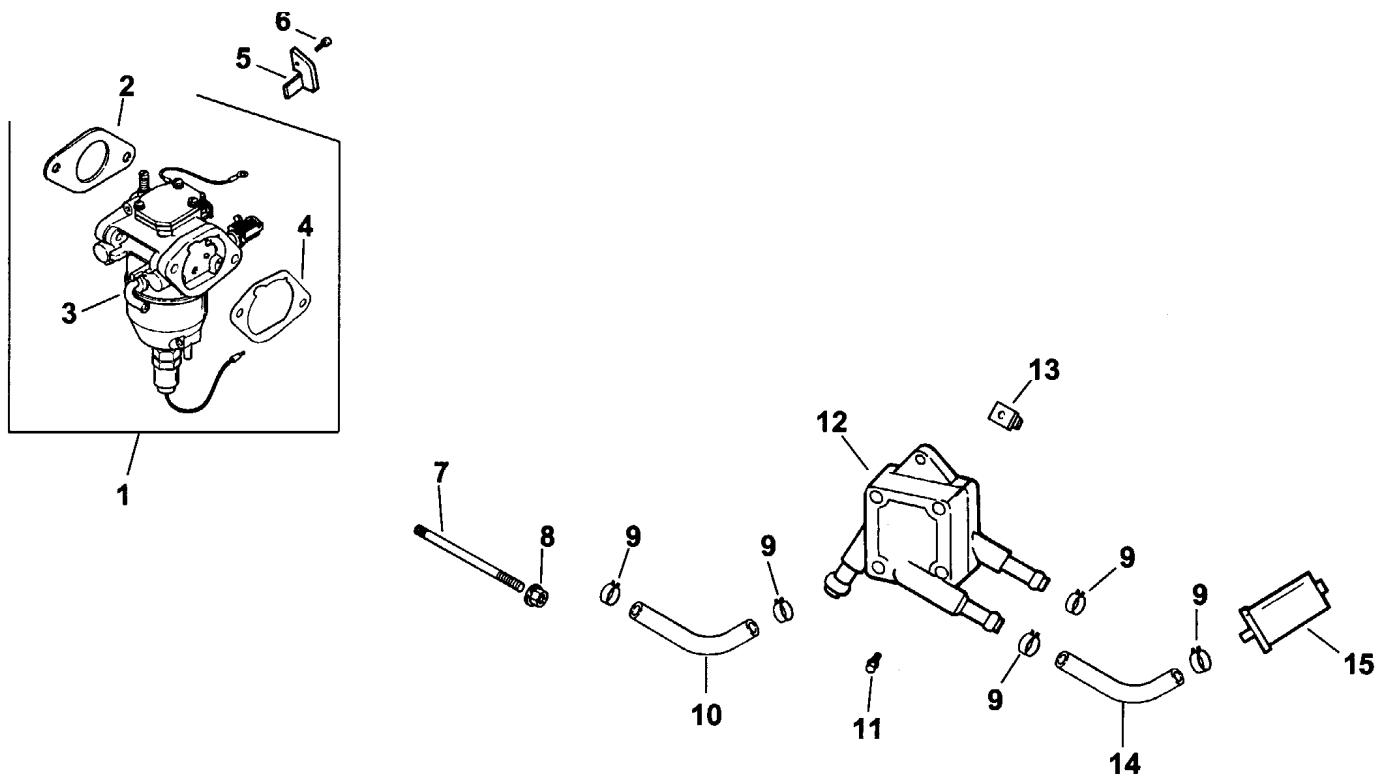
Ref. No.	Part No.	Qty.	Description

Obtain Parts From Kohler

* Not Illustrated

Group 7 Starting System Assembly





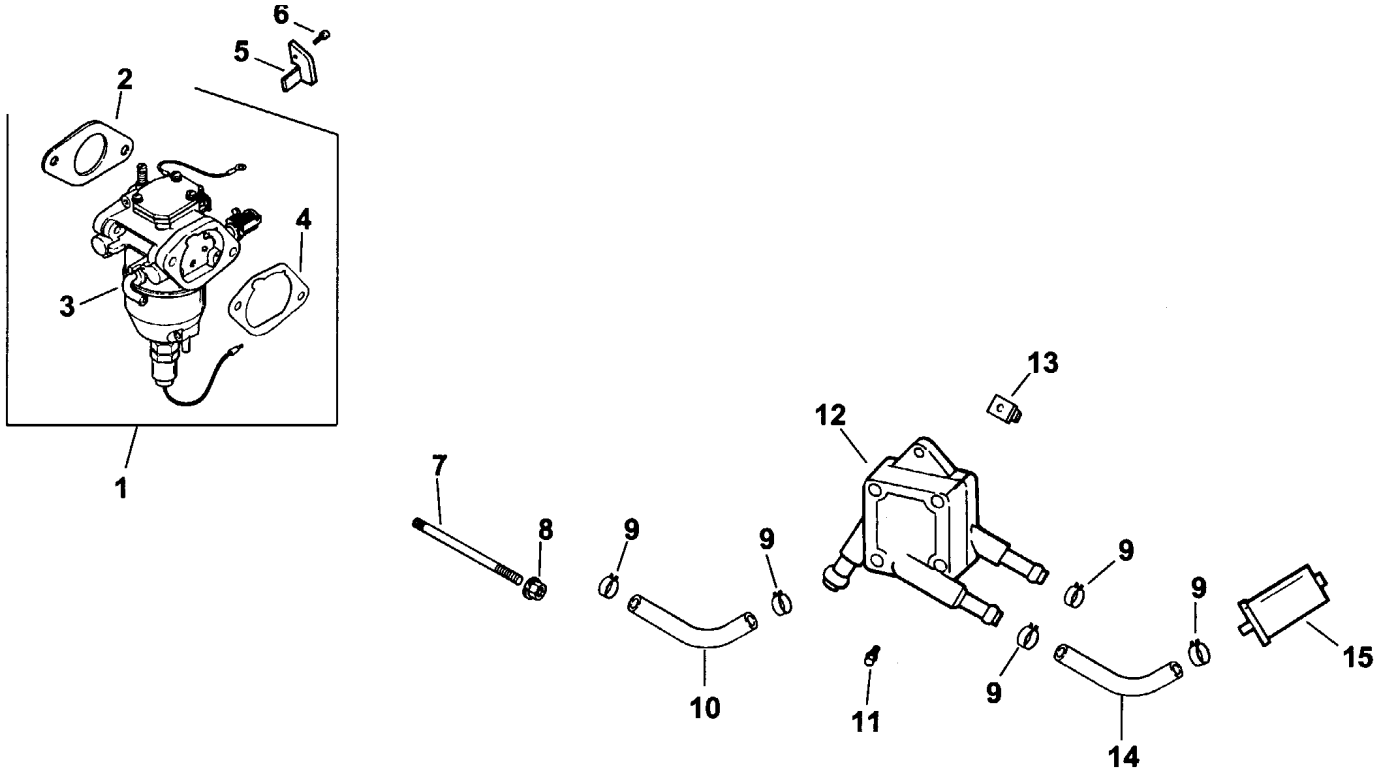
Group 8 Fuel System Assembly

Ref. No.	Part No.	Qty.	Description
1	24 853 25	1	Kit, carburetor with gaskets (Includes 2-4)
2	24 041 15	1	Gasket, carburetor
3	24 053 25	1	Carburetor assembly (For information only not available separately) (Includes 24 757 18, 24 757 19, 24 757 20, 24 757 22)
4	24 041 14	1	Gasket, air cleaner
5	24 126 53	1	Bracket, throttle stop
6	M-0259005	1	Screw, pan hd.
7	M-0629095	2	Stud
8	M-0641060	2	Nut, hex. flange
9	X-426-9	6	Clamp, hose
10	24 353 03	2	Line, fuel 10-1/2"
11	24 086 12	2	Screw, hex. cap.
12	24 393 04	1	Pump, fuel - pulse
13	24 100 01	2	Nut, plastic
14	25 353 10	1	Line, fuel 9"
15	24 050 02	1	Filter, fuel
*	24 757 18		Kit, overhaul w/gaskets (Includes air cleaner base gasket, carburetor gasket, throttle adjusting screw, gasket, idle

Ref. No.	Part No.	Qty.	Description
			adjusting screw, float, float pin, float valve, float chamber gasket, throttle adjusting screw spring, idle adjusting screw spring, passage cover gasket)
*	24 757 19		Kit, choke repair w/gaskets (Includes air cleaner base gasket, carburetor gasket, valve set screw, choke valve, choke shaft filter, choke arm return spring, choke lever ring, choke collar, choke shaft assembly, choke lever assembly)
*	24 757 20		Kit, gasket (Includes air cleaner base gasket, carburetor gasket, float chamber gasket, passage cover gasket)

Obtain Parts From Kohler

* Not Illustrated



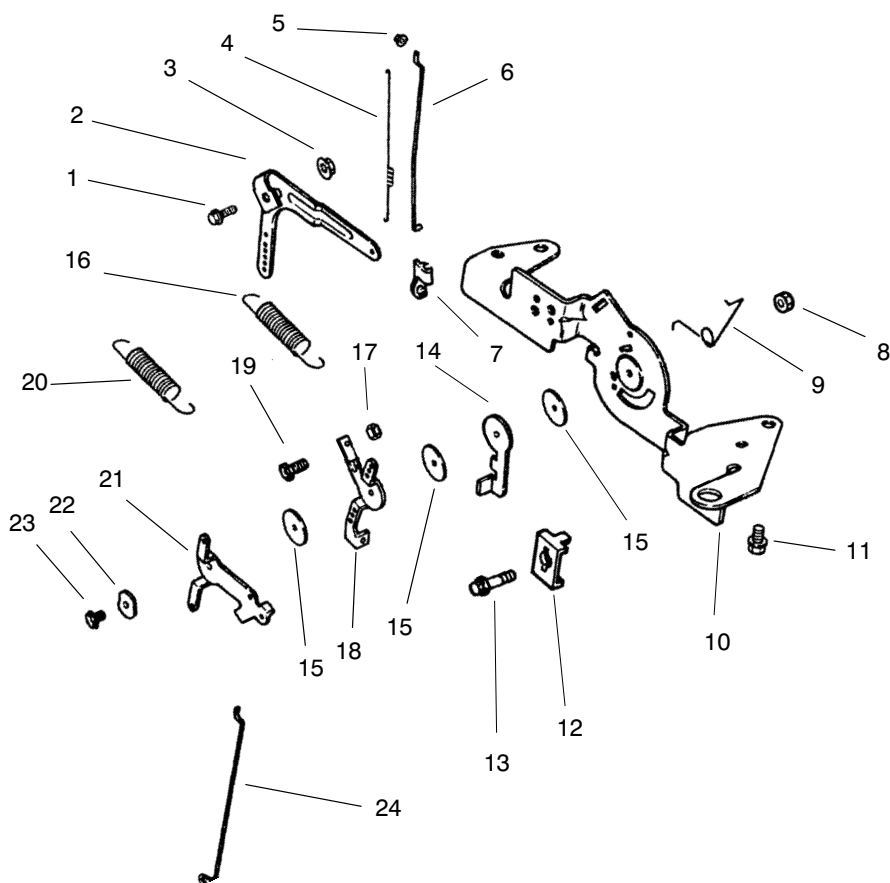
Group 8 Fuel System Assembly (Continued)

Ref. No.	Part No.	Qty.	Description
*	24 757 22		Kit, solenoid replacement w/gaskets (Includes air cleaner base gasket, carburetor gasket, solenoid gasket, chamber screw gasket, solenoid holder, solenoid valve)

Ref. No.	Part No.	Qty.	Description

Obtain Parts From Kohler

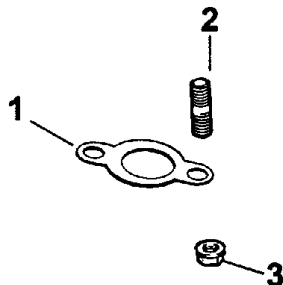
* Not Illustrated



Group 9 Engine Controls Assembly

Ref. No.	Part No.	Qty.	Description	Ref. No.	Part No.	Qty.	Description
1	SM-0642025	1	Screw, hex. flange				
2	24 090 14	1	Lever, governor				
3	M-0641060	1	Nut, hex. flange				
4	24 089 01	1	Spring, linkage				
5	25 158 08	1	Bushing, linkage retaining				
6	24 079 04	1	Linkage, throttle				
7	25 158 11	1	Bushing, throttle linkage				
8	M-0547050	1	Nut, hex. lock				
9	24 089 03	1	Spring, choke return				
10	24 126 56	1	Bracket, control				
11	M-0645016	4	Screw, hex. flange				
12	12 237 01	2	Clamp, cable				
13	M-0545016	3	Screw, hex. flange				
14	24 090 07	1	Lever, throttle actuator				
15	24 468 01	3	Washer, plain 5.5 mm				
16	24 089 15	1	Spring, governor				
17	M-0446030	1	Nut, hex.				
18	24 090 03	1	Lever, throttle control				
19	M-0545020	1	Screw, hex. flange				
20	24 089 38	1	Spring, throttle limiter				
21	24 090 05	1	Lever, choke				
22	41 468 03	1	Washer, spring 1/4"				
23	M-0403025	1	Screw, hex. cap				
24	24 079 05	1	Linkage, choke				

Obtain Parts From Kohler



Group 11 Exhaust Assembly

Ref. No.	Part No.	Qty.	Description
1	24 041 02	2	Gasket, exhaust
2	25 072 04	4	Stud
3	M-0841080	4	Nut, muffler mounting
	24 522 14	1	Short Block
	24 782 05	1	Miniblock
	24 755 03	1	Gasket Set

Ref. No.	Part No.	Qty.	Description

Obtain Parts From Kolher

