



Superblower Yard Vac

Blower/Vacuum

Model No. 51583 — 59000001 & Up

**Soufflante-aspirateur SuperBlower
Yard Vac**

Soufflante-aspirateur

Modèle No. 51583 — 59000001 et suivants

Aspiradora Supersopladora

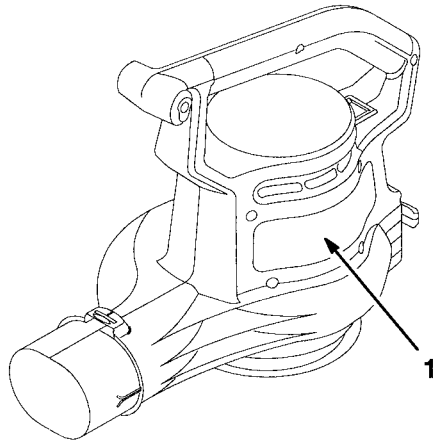
Sopladora-aspiradora

Modelos N. 51583 — 59000001 y siguientes

**Operator's Manual
Manuel de L'Utilisateur
Manual del Operador**

Figures — Figuras

1



1570

English

1. Model and serial number decal

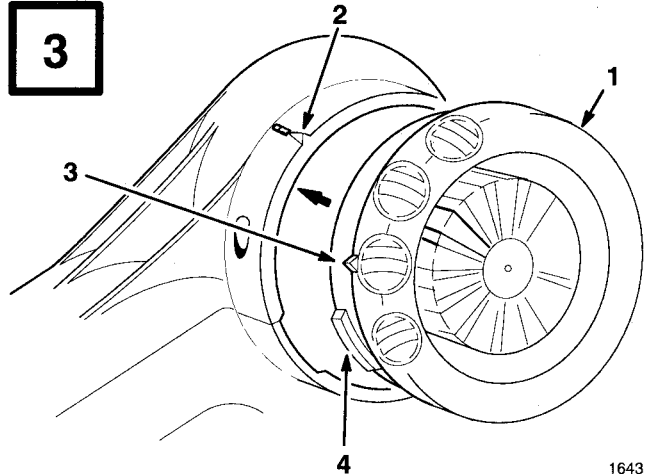
Français

1. Décalcomanie de numéros de modèle et de série

Español

1. Calcomanía con los números de modelo y serie

3



1643

English

- | | |
|--------------------|------------------|
| 1. Inlet cover | 3. Cover pointer |
| 2. Housing pointer | 4. Tab |

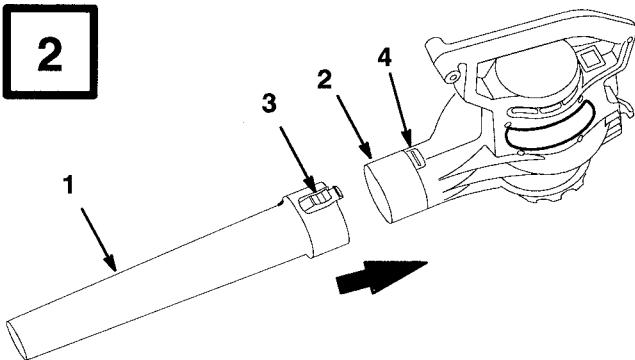
Français

- | | |
|--------------------------------|------------------------|
| 1. Couvercle d'admission d'air | 3. Repère du couvercle |
| 2. Repère du bloc moteur | 4. Languette |

Español

- | | |
|--------------------|--------------------|
| 1. Tapa de entrada | 3. Guía de la tapa |
| 2. Guía de la caja | 4. Lengüeta |

2



1571

English

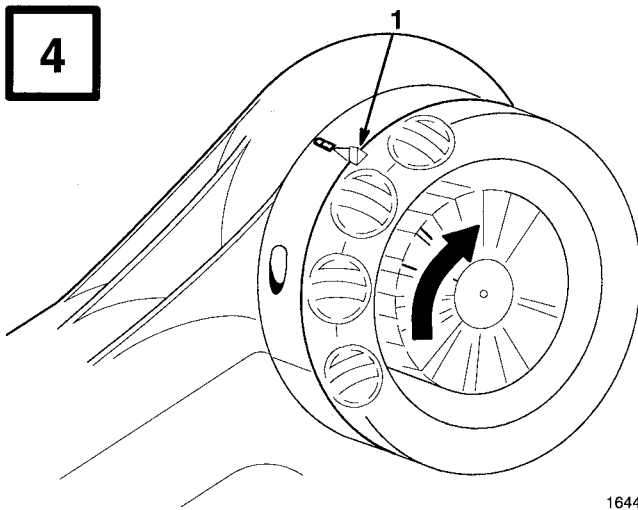
- | | |
|--------------------------|----------|
| 1. Blower tube | 3. Tab |
| 2. Blower housing outlet | 4. Latch |

Français

- | | |
|--------------------------------|--------------|
| 1. Tube de soufflante | 3. Languette |
| 2. Sortie d'air du bloc moteur | 4. Loquet |

Español

- | | |
|-----------------------------------|-------------|
| 1. Tubo soplador | 3. Lengüeta |
| 2. Salida de la caja del soplador | 4. Pestillo |



1644

English

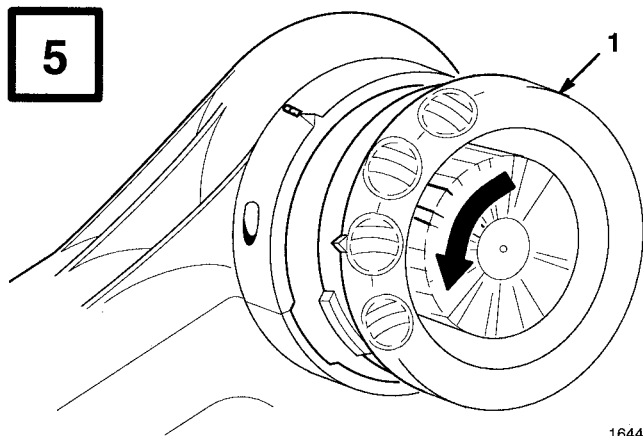
1. Pointers aligned in lock position

Français

1. Repères alignés en position de verrouillage

Español

1. Las guías se alinean en la posición de cierre



1644

English

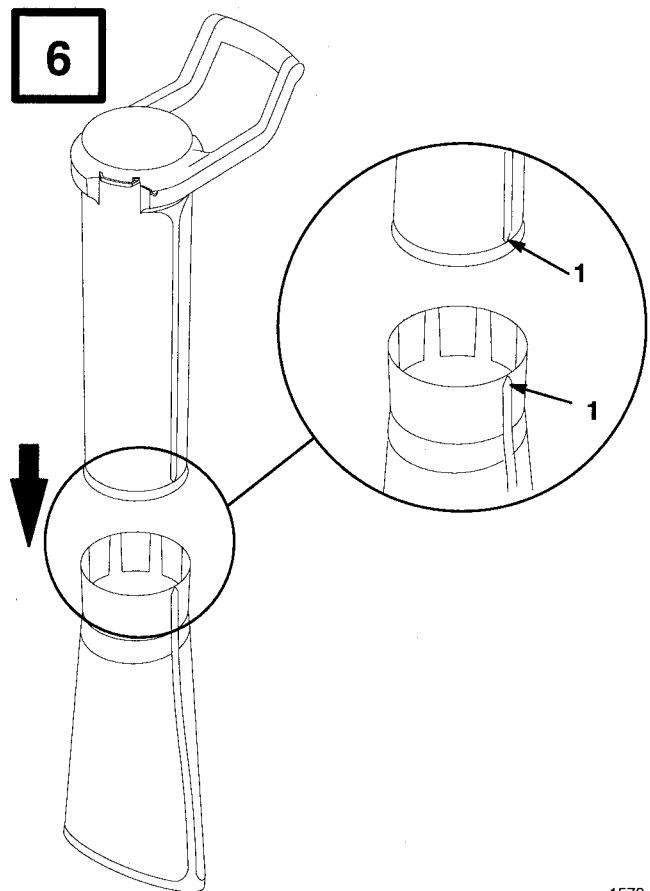
1. Inlet cover

Français

1. Couvercle d'admission d'air

Español

1. Tapa de entrada



1572

English

1. Arrow

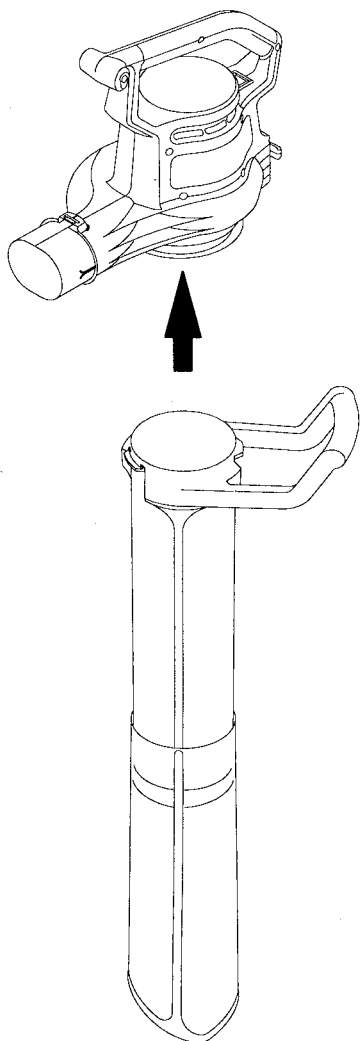
Français

1. Flèche

Español

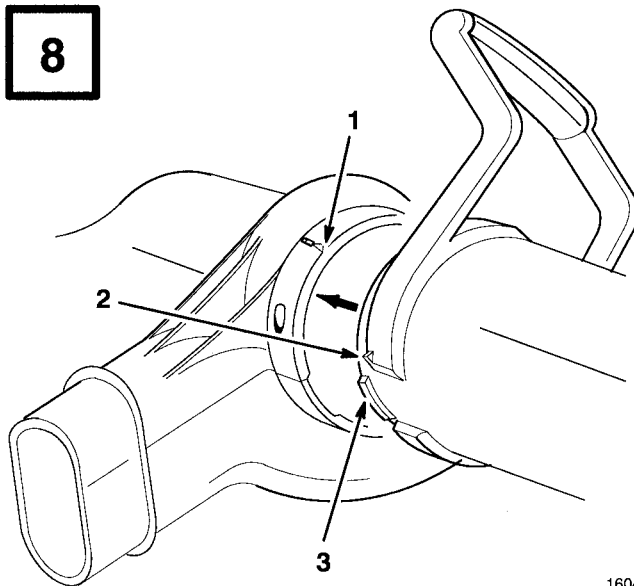
1. Flecha

7



1573

8



1604

English

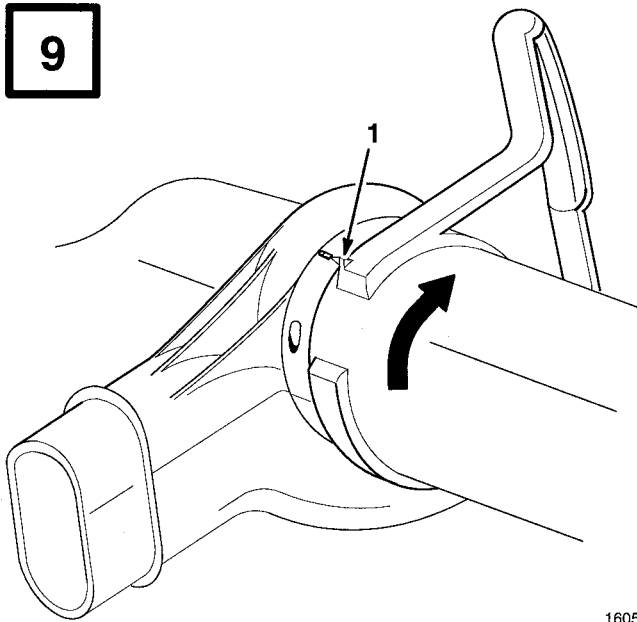
- 1. Housing pointer
- 2. Vacuum tube pointer
- 3. Tab

Français

- 1. Repère du bloc moteur
- 2. Repère du tube de soufflante
- 3. Languette

Español

- 1. Guía de la caja
- 2. Guía del tubo aspirador
- 3. Lengüeta



1605

English

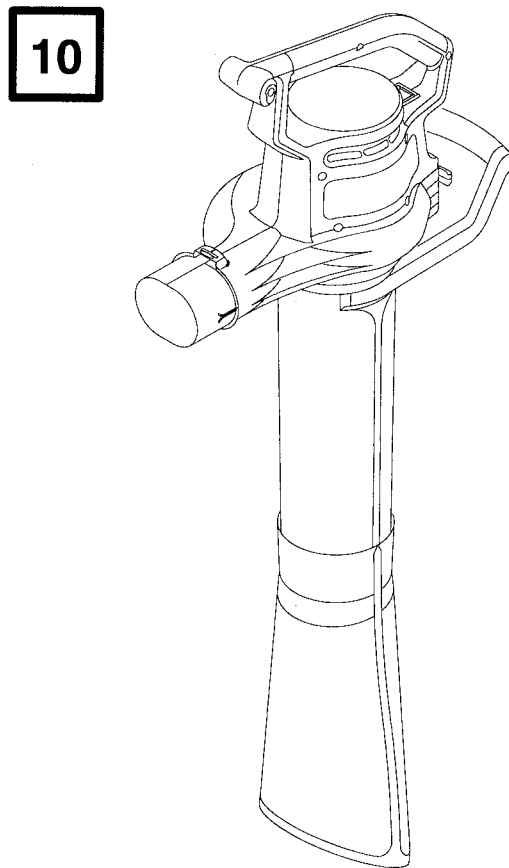
- 1. Pointers aligned in lock position

Français

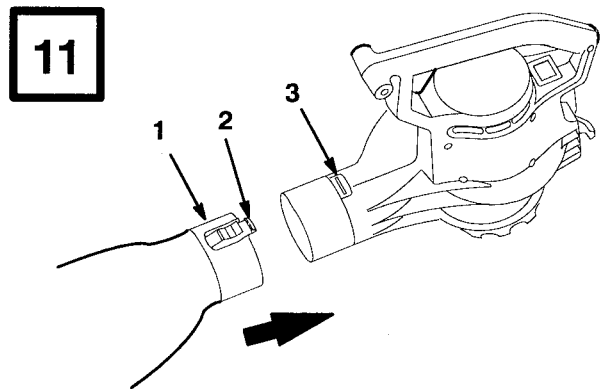
- 1. Repères alignés en position de verrouillage

Español

- 1. Las guías se alinean en la posición de cierre



1621



1574

English

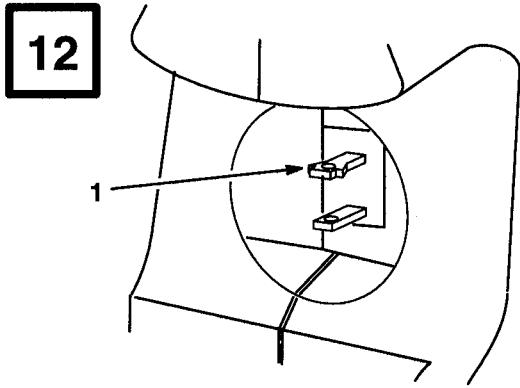
- 1. Bag collar
- 2. Tab
- 3. Latch

Français

- 1. Collier de sac
- 2. Languette
- 3. Loquet

Español

- 1. Collar de la bolsa
- 2. Lengüeta
- 3. Pestillo



1575

English

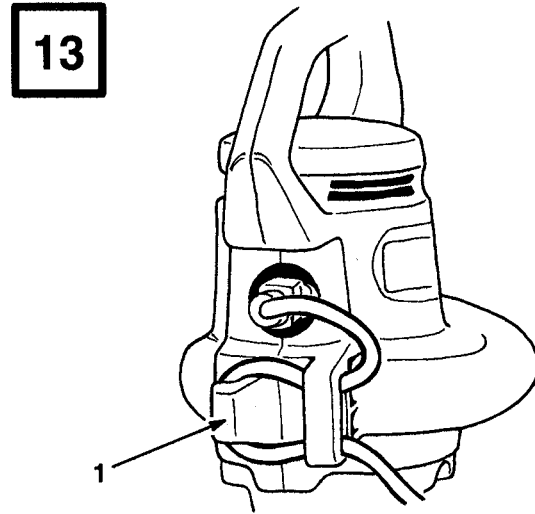
1. Wide blade

Français

1. Broche large

Español

1. Pata ancha



1578

English

1. Cord lock

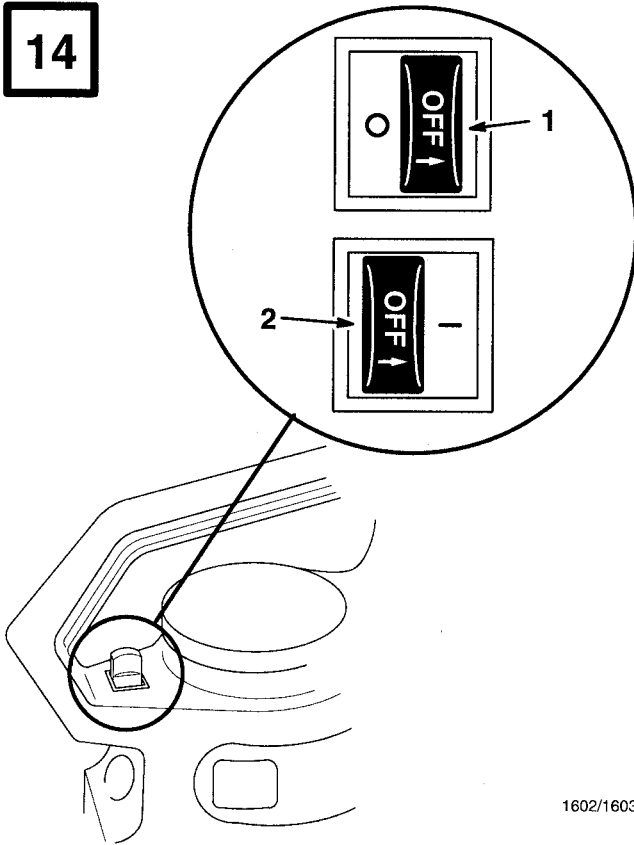
Français

1. Dispositif de blocage du cordon

Español

1. Cierre del cable

14



1602/1603

English

- 1. Off position
- 2. On position

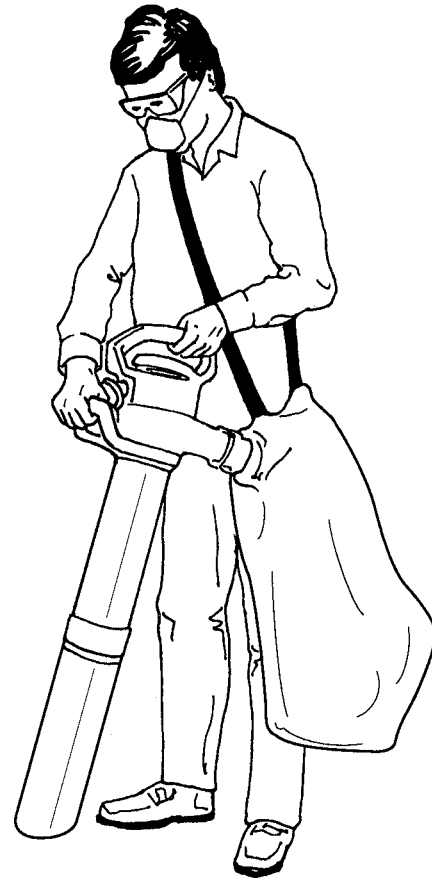
Français

- 1. Position arrêt
- 2. Position marche

Español

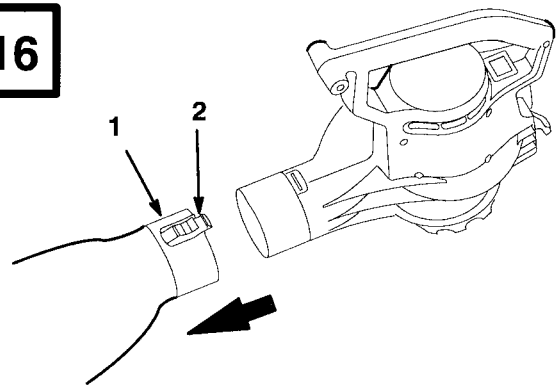
- 1. Posición apagada
- 2. Posición encendida

15



1576

16



1574

English

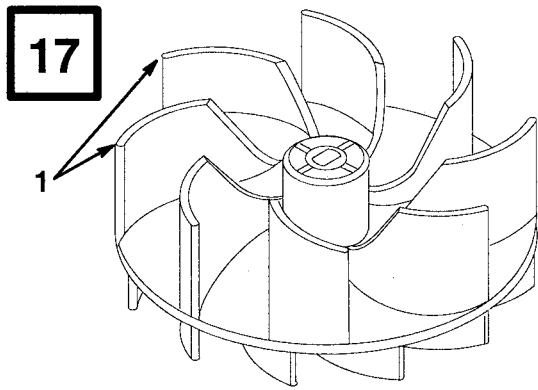
- 1. Bag collar
- 2. Tab

Français

- 1. Collier de sac
- 2. Languette

Español

- 1. Collar de la bolsa
- 2. Lengüeta



1577

English

1. Wear area

Français

1. Zone d'usure

Español

1. Zona de desgaste

Contents

	Page
Introduction	1
Safety	2
Safety and Instruction Decals	3
Assembly	4
Blower	4
Vacuum	4
Before Starting	5
Securing Power Supply Cord	5
Operation	5
Starting/Stopping	6
Vacuum	6
Emptying Bag	6
Maintenance	7
Clogging	7
Bag Cleaning	7
Impeller Replacement	7
Servicing Double-insulated Appliance ...	7
Toro Service Support	7
Troubleshooting	8
The Toro Promise	8

Introduction

Thank you for purchasing a Toro product.

All of us at Toro want you to be completely satisfied with your new product, so feel free to contact your local Authorized Service Dealer for help with service, genuine Toro parts, or other information you may require.

Whenever you contact your Authorized Service Dealer or the factory, always know the model and serial numbers of your product. These numbers will help the Service Dealer or Service Representative provide exact information about your specific

product. You will find the model and serial number decal located in a unique place on the product (Fig. 1).

For your convenience, write the product model and serial numbers in the space below.

<p>Model No. _____</p> <p>Serial No. _____</p>
--

Read this manual carefully to learn how to operate and maintain your product correctly. Reading this manual will help you and others avoid personal injury and damage to the product. Although Toro designs, produces and markets safe, state-of-the-art products, you are responsible for using the product properly and safely. You are also responsible for training persons who you allow to use the product about safe operation.

The Toro warning system in this manual identifies potential hazards and has special safety messages that help you and others avoid personal injury, even death. DANGER, WARNING and CAUTION are signal words used to identify the level of hazard. However, regardless of the hazard, be extremely careful.

DANGER signals an extreme hazard that will cause serious injury or death if the recommended precautions are not followed.


WARNING signals a hazard that may cause serious injury or death if the recommended precautions are not followed.

CAUTION signals a hazard that may cause minor or moderate injury if the recommended precautions are not followed.

Two other words are also used to highlight information. "Important" calls attention to special mechanical information and "Note" emphasizes general information worthy of special attention.

Safety

IMPORTANT SAFETY INSTRUCTIONS

To assure maximum safety, best performance, and to gain knowledge of the appliance, **it is essential that you or any other operator of the appliance read and understand the contents of this manual before operating the appliance.** Pay particular attention to the safety alert symbol  which means CAUTION, WARNING OR DANGER — “personal safety instruction.” Read and understand the instruction because it has to do with safety. **FAILURE TO COMPLY WITH INSTRUCTION MAY RESULT IN PERSONAL INJURY, RISK OF FIRE OR ELECTRICAL SHOCK.**

READ ALL INSTRUCTIONS BEFORE USING THIS APPLIANCE

SAVE THESE INSTRUCTIONS FOR FUTURE REFERENCE!

WARNING—To reduce the risk of fire, electric shock or injury, follow these safety instructions.

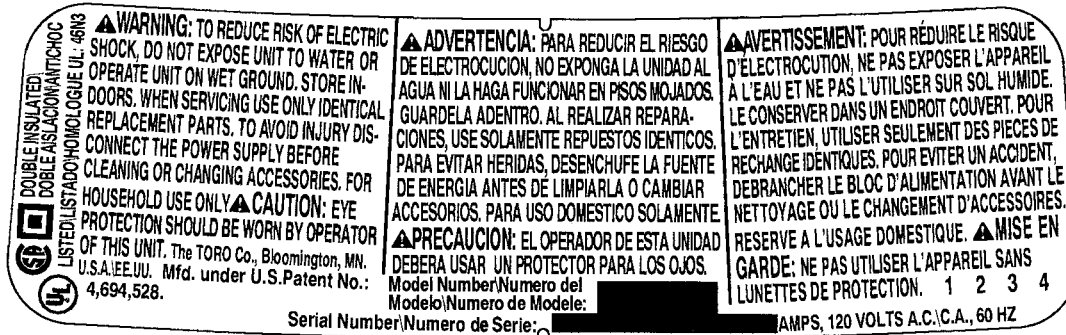
1. Read and understand the contents of this manual before using the appliance. Be thoroughly familiar with the proper use of the appliance.
2. Keep everyone, especially children and pets, away from area of operation. Never allow children to operate the appliance. It is not a toy. Never allow adults to operate unit without first reading the Operator's Manual.
3. Never blow debris in the direction of bystanders or animals.
4. Always wear safety goggles or other suitable eye protection.
5. Do not use on wet surfaces. Do not expose to rain. Store indoors.
6. Dress properly. Do not wear loose clothing or jewelry. They can catch in moving parts. Pin up long hair so that it cannot be drawn into unit's air inlet. Always wear substantial footwear and long pants.
7. Always wear an approved dust mask when using unit in dusty conditions.
8. Use the right appliance. Do not use the appliance for any job except that for which it was intended.
9. Use appliance only as described in this manual. Use only Toro attachments with appliance.
10. To reduce the risk of electric shock, use only an approved UL (CSA in Canada) extension cord recommended for outdoor use. Refer to Extension Cord Chart on page 5. Replace a damaged extension cord immediately.
11. Properly connect extension cord to appliance plug in order to prevent disconnection of the cord (Fig. 13).
12. Avoid unintentional starting. Do not carry plugged in appliance with finger on switch.
13. Turn off all controls before unplugging cord.
14. Do not handle plug or appliance with wet hands or while standing in water.
15. Do not use appliance with a damaged cord or plug. If appliance is not working as it should, has been dropped, damaged, left outdoors, or dropped into water, return it to an Authorized Toro Service Dealer.
16. Don't abuse cord. Do not pull or carry appliance by cord, close a door on cord or pull cord around sharp edges or corners. Do not use cord as a handle. Do not unplug appliance by pulling cord. To unplug, grasp the plug, not the cord.
17. Keep cord away from extreme heat, oil, and sharp edges. Replace damaged cords.
18. Never vacuum up anything that is burning or smoking, such as cigarettes, matches or hot ashes.

19. Do not put any object into openings (i.e. fan covers, air inlets or other openings in housing). Do not use appliance with any blocked openings; keep free of dust, lint, hair, and anything that may reduce air flow.
20. Do not use appliance to vacuum up any liquids, particularly flammable or combustible liquids such as gasoline or use in areas where they may be present.
21. Never vacuum up any hazardous materials such as asbestos.
22. Always be sure of your footing. Keep a firm hold on the handle and walk, never run. Use extra care when cleaning on stairs.
23. Stop the motor and unplug the supply cord whenever you leave the appliance, before cleaning the housing, and when making any repairs or inspections.
24. When not in use, store your appliance in a dry place out of the reach of children.
25. Keep all fasteners tight to be sure the appliance is in safe working condition.
26. Never operate without proper guards or other protective safety devices in place.
27. Do not put hands or feet near rotating parts. Keep clear at all times.
28. If the appliance should start to vibrate abnormally, stop the motor, unplug the cord and check immediately for the cause. Vibration is generally a warning of trouble.
29. Do not operate your appliance after it has been dropped or damaged. Return it to your nearest Authorized Toro Service Dealer for inspection or repair.
30. This appliance is provided with double insulation. Use only identical replacement parts. See page 7 for Servicing of Double-Insulated Appliances.
31. When servicing use only identical TORO replacement parts. Replace or repair damaged cords.
32. Never operate vacuum without vacuum bag. Always make sure bag zipper is closed when unit is in use. Check bag frequently for wear or deterioration. If bag is damaged, replace it with a genuine TORO part.

Safety and Instruction Decals



Safety decals and instructions are easily visible to the operator and are located near any area of potential danger. Replace any decal that is damaged or lost.



ON BLOWER HOUSING

Assembly

Note: Always turn off unit and unplug from electrical outlet before adding or switching attachments.

Blower

1. Slide tube onto blower outlet until tabs on tube snap into latch (Fig. 2).

Note: Inlet cover must be securely locked into position, activating interlock switch, before blower will operate. Pointer on cover will be aligned with pointer on housing when cover is correctly locked in position (Fig. 3 & 4).

Note: Blower is shipped with inlet cover installed.

Vacuum

1. Grasp inlet cover and rotate it counterclockwise to remove (Fig. 5).

CAUTION

POTENTIAL HAZARD

- Motor impeller rotates for a few seconds after blower is turned off.

WHAT CAN HAPPEN

- Rotating impeller can cut or injure fingers.

HOW TO AVOID THE HAZARD

- Never remove inlet cover when motor is operating or when unit is plugged in.

2. Assemble vacuum tubes by pressing tubes together (Fig. 6). Line up arrows on outside of tubes to ensure correct assembly.
3. Hold vacuum tubes vertically and place blower inlet over top of tube (Fig. 7). Tubes will only fit one way in blower inlet.
4. Rotate unit clockwise until pointer on vacuum tube aligns with pointer on housing (Fig. 8, 9 & 10).

Note: Vacuum tube and housing pointers must be aligned at locked position before blower will operate.

5. Slide bag collar onto blower outlet until tabs on bag collar snap into latch (Fig. 11).

Before Starting

Securing Power Supply Cord

Use only a UL listed (CSA certified in Canada) extension cord recommended for outdoor use. Refer to Extension Cord Chart.

EXTENSION CORD CHART		
If length of extension cord is less than or equal to:	100 ft.	150 ft.
Assure wire size gauge (A.W.G.) in cord is:	16	14

Note: Use of an extension cord over 150 feet is not recommended.

WARNING

POTENTIAL HAZARD

- Contact with water while operating unit could cause electric shock.

WHAT CAN HAPPEN

- Electric shock can cause injury or death.

HOW TO AVOID THE HAZARD

- Don't handle plug or appliance with wet hands or while standing in water.
- Use only a UL listed (CSA certified in Canada) extension cord recommended for outdoor cold weather use. Refer to Extension Cord Chart, page 5.

To reduce the risk of electric shock, this appliance has a polarized plug (one blade is wider than the other) (Fig. 12). This plug will fit in a polarized outlet only one way. If the plug does not fit fully in the outlet, reverse the plug. If it still does not fit, consult a qualified electrician to install the proper outlet. Do not change the plug in any way.

1. Form a loop in extension cord and insert it through slot in rear of blower housing (Fig. 13).

2. Secure extension cord in cord lock (Fig. 13).

Note: Do not unplug extension cord by pulling on cord. To unplug, grasp the plug, not the cord.

WARNING

POTENTIAL HAZARD

- The electrical cord could be damaged.

WHAT CAN HAPPEN

- A damaged electrical cord could cause a shock or fire.

HOW TO AVOID THE HAZARD

- Thoroughly inspect electrical cord before using unit. If cord is damaged, do not operate unit. Replace or repair damaged cord immediately. Contact your TORO service dealer for assistance.

Operation

This appliance is intended for residential use only.

CAUTION

POTENTIAL HAZARD

- Debris can be thrown by unit in operator's or bystander's direction.

WHAT CAN HAPPEN

- Flying debris can cause serious personal injury to operator or bystanders.

HOW TO AVOID THE HAZARD

- Always wear safety goggles or other suitable eye protection, long pants and shoes while operating unit.
- Never operate unit near bystanders or pets.
- Use extra care when cleaning debris from stairs.

Starting/Stopping (Fig. 14)

1. To turn unit on, move switch to the 'I' position.
2. To turn unit off, move switch to the 'O' position. An arrow and the word "OFF" on the top of the switch indicate which direction to move the switch.

Vacuum (Fig. 15)

CAUTION

POTENTIAL HAZARD

- Debris can be thrown by unit in operator's or bystander's direction.

WHAT CAN HAPPEN

- Flying debris can cause serious personal injury to operator or bystanders.

HOW TO AVOID THE HAZARD

- Never operate vacuum without vacuum bag.
- Always make sure bag zipper is closed when unit is in use.

1. With vac tubes and bag attached, pick up unit by vac tube handle and housing handle. Bag should be positioned fairly low at your side. Place bag strap over shoulder and adjust length to fit.
2. Turn unit on.
3. Swing unit slowly back and forth over leaves to be vacuumed. Do not force tube into pile of debris.

Note: Dry leaves vacuum better and shred into smaller particles.

IMPORTANT

- This unit is designed to pick up and shred dry leaves and other light, leafy debris.
- Do not attempt to pick up stones, gravel, broken glass, twigs, bark, acorns or pine cones as severe damage to fan blades may result.
- Do not pick up anything that is burning or smoking, such as cigarettes, matches or hot ashes.
- Do not pick up any liquids, particularly flammable or combustible liquids such as gasoline, or use in areas where they may be present.
- Do not tip vacuum tubes upright and force feed debris into tubes.

If the unit should start to vibrate or make abnormal noise, stop the unit, **unplug** the cord and check for cause.

Openings can be blocked by dust, lint, hair, etc. during operation. Blocked openings could damage unit and reduce unit's efficiency. Keep unit free of any debris that could reduce air flow.

Emptying Bag

1. Turn unit off. Disconnect extension cord.
2. Depress both tabs on bag collar to remove bag from unit (Fig. 16).
3. Unzip bag at bottom and shake out debris.

Maintenance

Clogging

If the unit becomes clogged with debris, the obstruction can usually be cleared by turning the unit off and then promptly compressing the bag while it is still inflated, thereby forcing air back out through the vacuum tubes. This reverse airflow is usually sufficient to dislodge most obstructions.

If the restriction cannot be cleared by compressing the bag, then proceed with **caution** as follows:

1. Turn off and **unplug** unit.
2. Remove vacuum tubes.
3. Using a small stick or rod, carefully reach into impeller opening and clear out debris.

Bag Cleaning

Debris should not be stored in vacuum bag. Bag should be emptied after each use for more efficient operation. After about three uses, bag should be thoroughly cleaned. Turn bag inside out and shake out dust and excess debris vigorously. Once a year, wash the bag by hand in soapy water.

WARNING

POTENTIAL HAZARD

- Under normal usage, the bag material is subject to deterioration and wear.

WHAT CAN HAPPEN

- Small objects could pass through a worn or damaged bag and be thrown in direction of operator or bystanders and cause serious personal injury.


HOW TO AVOID THE HAZARD

- Check bag frequently for wear or deterioration. If bag is damaged, replace it with a genuine TORO part.

Impeller Replacement (Fig. 17)

If a loss of performance is detected while operating blower, unplug unit, remove inlet cover, and check impeller blades for wear. If blades are severely worn, see your Authorized TORO Service Dealer for a new impeller.

Servicing Double-insulated Appliance

In a double-insulated appliance, two systems of insulation are provided instead of grounding. No grounding means is provided on a double-insulated appliance, nor should a means for grounding be added to the appliance. Servicing a double-insulated appliance requires extreme care and knowledge of the system, and should be done only by qualified service personnel. Replacement parts for a double-insulated appliance must be identical to the parts they replace. A double-insulated appliance is marked with the words “DOUBLE INSULATION” or “DOUBLE INSULATED.” The symbol (square within a square)  may also be marked on the appliance.

Toro Service Support

If your unit requires service or maintenance, your nearest TORO Master Service Dealer is the best dealer to assist you. Refer to the “Yellow Pages” of your local telephone directory in the section titled “Lawn Mowers.” TORO Master Service Dealers are listed under the TORO trademark. If you need help locating a TORO Master Service Dealer near you, call 1-800-421-9684 for assistance.

Troubleshooting

PROBLEM	POSSIBLE CAUSE	CORRECTIVE ACTION
Unit won't run or stops running	<ol style="list-style-type: none"> 1. Unit not plugged in 2. On/off switch in "off" position 3. Inlet cover or vacuum tube incorrectly installed or removed 4. Blown fuse or tripped circuit breaker 5. Faulty extension cord 	<ol style="list-style-type: none"> 1. Plug in unit 2. Turn to "on" 3. Secure cover or vacuum tube 4. Replace fuse or reset breaker 5. Replace cord
Unit seems to be low on power	<ol style="list-style-type: none"> 1. Impeller is worn 	<ol style="list-style-type: none"> 1. Replace impeller
Vacuum tube will not stay securely fastened to housing	<ol style="list-style-type: none"> 1. Mounting tabs on tube are not fully secured in housing 	<ol style="list-style-type: none"> 1. Reposition vacuum tube to proper position

The Toro Promise

A Full Two Year Residential Use Warranty For the United States, Canada and Mexico

The Toro Company warrants this TORO Product for two years against defects in material or workmanship. To receive a replacement or repair, at Toro's option, just return the complete unit, postage prepaid, to the seller. (U.S. customers ONLY may return their unit, with proof of purchase, to any TORO Master Service Dealer or the TORO Service Center, 5300 Shoreline Blvd., Mound, MN 55364.) This warranty covers product defects only. **It does not cover incidental or consequential damages. Some states do not allow the exclusion or limitation of incidental or consequential damages, so the above limitation may not apply to you.** This warranty gives you specific rights, and you may have other rights which vary from state to state. If all other remedies fail, you may contact us at The Toro Company, Customer Service Department, 8111 Lyndale Ave S, Bloomington, MN, 55420-1196. (Do not return defective product to this address.)

COUNTRIES OTHER THAN THE UNITED STATES, CANADA OR MEXICO

Customers who have purchased TORO products exported from the United States, Canada or Mexico should contact their TORO Distributor (Dealer) to obtain guarantee policies for your country, province or state. If for any reason you are dissatisfied with your Distributor's service or have difficulty obtaining guarantee information, contact the TORO importer.

Table des matières

	Page
Introduction	1
Sécurité	2
Décalcomanies de sécurité et instructions	4
Assemblage	4
Soufflante	4
Aspiration	4
Avant le démarrage	5
Attachement du cordon d'alimentation	5
Fonctionnement	6
Démarrage/arrêt	6
Aspirateur	6
Vidage du sac	7
Entretien	7
Obturation	7
Nettoyage du sac	7
Remplacement de l'hélice	8
Réparation d'appareils à double isolation	8
Service après-vente Toro	9
Dépannage	9
La promesse Toro	10

Introduction

Merci pour votre achat d'un produit Toro.

À Toro, notre désir à tous est que vous soyez entièrement satisfait de votre nouveau produit. N'hésitez donc pas à contacter votre concessionnaire agréé local qui tient à votre disposition un service d'entretien et de réparations, des pièces détachées et toute information qui pourrait vous être utile.

Chaque fois que vous contactez votre concessionnaire agréé ou l'usine, tenez à sa disposition les numéros de modèle et de série du produit. Ces numéros aideront le concessionnaire ou le représentant du service après-vente à vous fournir des informations précises pour votre produit particulier. La décalcomanie comportant les numéros de modèle et de série se trouvent à un emplacement particulier du produit (Fig. 1).

Pour votre commodité, inscrivez les numéros de modèle et de série du produit dans l'espace ci-dessous.

No. de modèle : _____
No. de série : _____

Lisez attentivement ce manuel pour vous familiariser avec l'utilisation et l'entretien correct de votre produit. La lecture de ce manuel vous aidera, ainsi que les autres utilisateurs, à éviter des accidents corporels et des dommages au produit. Bien que Toro conçoive, fabrique et commercialise des produits sûrs, à la pointe de la technologie, vous avez la responsabilité de l'utiliser correctement et en toute sécurité. Vous êtes également responsables d'instruire les personnes auxquelles vous permettrez d'utiliser le produit, sur l'usage en toute sécurité.

Les mises en garde de ce manuel identifient les dangers potentiels et comprennent des messages de sécurité spécifiques destinés à vous éviter et à éviter à d'autres des blessures ou même la mort. Les mises en garde sont intitulées DANGER, AVERTISSEMENT et ATTENTION, suivant le niveau de danger. Toutefois, quel que soit ce niveau, soyez extrêmement prudent.

DANGER signale un risque extrême de blessures ou de mort si les précautions recommandées ne sont pas respectées.


AVERTISSEMENT signale un risque de blessures ou de mort si les précautions recommandées ne sont pas respectées.

ATTENTION signale un risque de blessures légères ou modérées si les précautions recommandées ne sont pas respectées.

Deux autres termes sont également utilisés pour signaler des messages d'informations essentielles : "Important", pour attirer l'attention sur des informations mécaniques spécifiques, et "Remarque", pour des informations d'ordre général méritant une attention particulière.

Sécurité

INSTRUCTIONS DE SÉCURITÉ IMPORTANTES

Pour assurer une sécurité maximale et les meilleures performance et connaissance possibles de l'appareil, il est essentiel que vous ou tout autre utilisateur de l'aspirateur/soufflante, lisiez et compreniez le contenu de ce manuel avant d'utiliser l'appareil. Prêter une attention particulière aux textes marqués du symbole de sécurité  indiquant les mises en garde telles que ATTENTION, AVERTISSEMENT ou DANGER. Les textes intitulés "instructions pour la sécurité personnelle" concernent la sécurité et devront donc également être lus attentivement. TOUT MANQUEMENT À SE CONFORMER À CES INSTRUCTIONS PEUT ENTRAÎNER DES DOMMAGES CORPORELS, UN RISQUE D'INCENDIE OU D'ÉLECTROCUTION.

LIRE TOUTES LES INSTRUCTIONS AVANT D'UTILISER CET APPAREIL

CONSERVER CES INSTRUCTIONS POUR RÉFÉRENCE ULTÉRIEURE!

AVERTISSEMENT : pour réduire les risques d'incendie, de choc électrique ou de blessure, respecter les consignes de sécurité ci-dessous.

1. Lire et comprendre le contenu de ce manuel et s'assurer d'être totalement familiarisé avec le fonctionnement de l'appareil avant de l'utiliser.
2. Tenir tout le monde, en particulier les enfants et les animaux domestiques à l'écart de la zone de travail. Ne jamais laisser les enfants utiliser l'appareil. Ce n'est pas un jouet. Ne jamais permettre aux adultes d'utiliser l'appareil sans qu'ils aient lu le Manuel de l'utilisateur.
3. Ne jamais souffler de débris en direction de personnes ou d'animaux.
4. Porter toujours des lunettes de sécurité ou un autre dispositif de protection oculaire approprié.
5. Ne pas utiliser sur des surfaces mouillées. Ne pas exposer à la pluie. Conserver à l'intérieur.
6. Porter des vêtements appropriés. Ne pas porter de vêtements amples ou de bijoux risquant de s'accrocher dans les pièces en mouvement. Les cheveux longs doivent être remontés et épinglés de façon à ne pas risquer d'être aspirés dans l'admission d'air. Porter toujours des chaussures robustes et des pantalons longs.
7. Porter toujours un masque anti-poussière homologué lorsque l'appareil est utilisé dans des conditions poussiéreuses.
8. Utiliser l'appareil approprié. Ne jamais utiliser un appareil pour effectuer un travail pour lequel il n'est pas conçu.
9. Utiliser l'appareil strictement comme il est décrit dans ce manuel. Utiliser uniquement des accessoires Toro.
10. Pour réduire les risques de choc électrique, utiliser exclusivement un cordon d'alimentation électrique homologué UL (certifié ACNOR au Canada) et recommandé pour l'usage extérieur. Voir le tableau des cordons prolongateurs du chapitre 5 Avant le démarrage. Remplacer immédiatement tout cordon endommagé.
11. Brancher le cordon prolongateur sur l'appareil et l'assujettir de manière à empêcher le débranchement accidentel (Fig. 13).
12. Éviter le démarrage accidentel. Ne pas transporter l'appareil branché en tenant le doigt sur le commutateur.
13. Éteindre toutes les commandes avant de débrancher le cordon d'alimentation.
14. Ne pas toucher aux prises ou à l'appareil avec les mains mouillées ou avec les pieds dans l'eau.

15. Ne pas utiliser l'appareil si la prise ou le cordon est endommagé. Si l'appareil ne fonctionne pas comme il devrait, s'il est tombé, a été endommagé, a été laissé à l'extérieur ou a été immergé, le retourner à un concessionnaire réparateur Toro agréé.
16. Ne pas maltraiter le cordon. Ne pas tirer ou soulever l'appareil par le cordon, ne pas refermer une porte sur le cordon ou le tirer autour d'angles vifs ou de coins. Ne pas utiliser le cordon comme poignée. Ne pas le débrancher en tirant sur le cordon. Pour débrancher, saisir la prise, pas le cordon.
17. Tenir le cordon à l'abri des températures extrêmes, des huiles et des angles vifs. Remplacer le cordon s'il est endommagé.
18. Ne jamais aspirer de matériaux en combustion ou dégageant de la fumée tels que cigarettes, allumettes ou cendres chaudes.
19. Ne rien placer dans les ouvertures (tels que les couvercles du ventilateur, l'admission d'air et les autres orifices). Ne pas utiliser l'appareil si une quelconque ouverture est obstruée. Veiller à ce que toutes les ouvertures soient exemptes de poussière, peluches, cheveux ou tout matériau risquant de réduire le débit d'air.
20. Ne pas utiliser l'appareil pour aspirer des liquides, en particulier s'ils sont inflammables ou combustibles tels que l'essence, ou dans des endroits où de tels produits peuvent être présents.
21. Ne jamais aspirer des matériaux dangereux tels que l'amiante.
22. Toujours se tenir bien en équilibre. Tenir fermement la poignée et marcher, ne jamais courir. Se montrer particulièrement prudent lors du nettoyage d'escaliers.
23. Arrêter le moteur et débrancher le cordon d'alimentation avant de laisser l'appareil, de nettoyer le carter ou de procéder à des réparations ou des inspections.
24. Lorsque l'appareil n'est pas utilisé, le ranger dans un endroit sec, hors de la portée des enfants.
25. Veiller à ce que tous les dispositifs de fixation soient bien serrés afin de s'assurer que l'appareil est en bon état de fonctionnement.
26. Ne jamais utiliser l'appareil si les gardes et autres dispositifs de sécurité ne sont pas en place.
27. Ne jamais placer les pieds ou les mains près des pièces en mouvement.
28. Si l'appareil commence à vibrer de façon anormale, arrêter le moteur, débrancher le cordon d'alimentation et examiner immédiatement l'appareil pour déterminer la cause des vibrations. Les vibrations sont généralement signe de problème.
29. Ne pas utiliser un appareil qui est tombé ou a été endommagé. Le retourner au concessionnaire réparateur Toro agréé le plus proche.
30. Cet appareil est pourvu d'une double isolation. Utiliser exclusivement des pièces de rechange d'origine. Voir l'entretien des appareils à double isolation à la page 8.
31. Lors des réparations, utiliser exclusivement des TORO pièces de rechange d'origine. Remplacer ou réparer les cordons d'alimentation endommagés.
32. Ne jamais utiliser l'aspirateur si le sac n'est pas en place. Toujours vérifier que la fermeture à glissière du sac est fermée lors de l'utilisation. Vérifier fréquemment le sac pour l'usure et la détérioration. Si le sac est endommagé, le remplacer avec un sac TORO d'origine.

Décalcomanies de sécurité et instructions



Les décalcomanies de sécurité et instructions sont facilement visibles par l'opérateur et placées près des pièces potentiellement dangereuses. Remplacer toute décalcomanie endommagée ou manquante.



SUR LE BLOC MOTEUR DE LA SOUFFLANTE

Assemblage

Remarque: la soufflante est livrée avec le couvercle d'admission installé.

Remarque: toujours éteindre l'appareil et le débrancher de la prise secteur avant de monter un accessoire ou d'en changer.

Aspiration

1. Saisir le couvercle d'admission d'air et le tourner en sens inverse des aiguilles d'une montre pour le retirer (Fig. 5).

Soufflante

1. Insérer le tube sur la sortie d'air de la soufflante jusqu'à ce que les languettes du tube s'emboîtent dans le loquet (Fig. 2)

Remarque: le couvercle d'admission d'air doit être solidement verrouillé en position de manière à ce que le contacteur de sécurité soit actionné, permettant à la soufflante de fonctionner. Le couvercle est correctement positionné lorsque le repère du couvercle est aligné sur celui du bloc moteur (Fig. 3 et 4).

PRUDENCE

DANGER POTENTIEL

- L'hélice du moteur continue de tourner pendant quelques secondes après que l'appareil ait été éteint.

QUELS SONT LES RISQUES?

- L'hélice en rotation peut couper ou blesser les doigts.

COMMENT SE PROTÉGER?

- Ne jamais retirer le couvercle de l'admission d'air lorsque le moteur tourne ou si l'appareil est branché.

2. Assembler les tubes de soufflante en les insérant l'un dans l'autre (Fig. 6) en veillant à ce que les repères soient alignés pour assurer un assemblage correct.
3. Tenir les tubes d'aspiration à la verticale et placer l'admission d'air de la soufflante au-dessus du haut du tube (Fig. 7). Les tubes ne peuvent être insérés dans l'admission d'air que dans un sens.
4. Faire pivoter le bloc moteur dans le sens des aiguilles d'une montre jusqu'à ce que le repère du tube soit aligné sur celui du bloc moteur (Fig. 8, 9 et 10).

Remarque: les repères du tube et du bloc moteur doivent être alignés en position de verrouillage pour que la soufflante fonctionne.

5. Glisser le collier de sac sur la sortie d'air jusqu'à ce que les languettes du collier s'emboîtent dans le loquet (Fig. 11).

Remarque: l'usage d'un cordon prolongateur de plus de 46 m (150 pi.) est déconseillé.

ATTENTION

DANGER POTENTIEL

- Le contact avec de l'eau lors de l'utilisation de l'appareil présente des risques de choc électrique.

QUELS SONT LES RISQUES?

- Un choc électrique peut causer des blessures ou la mort.

COMMENT SE PROTÉGER?

- Ne pas toucher aux prises ou à l'appareil avec les mains mouillées ou avec les pieds dans l'eau.
- Utiliser exclusivement un cordon prolongateur homologué UL (certifié ACNOR au Canada) pour l'usage extérieur. Se référer au tableau des cordons prolongateurs, page 5.

Avant le démarrage

Attachement du cordon d'alimentation

Utiliser exclusivement un cordon prolongateur homologué UL (certifié ACNOR au Canada) et recommandé pour l'usage extérieur. Voir le tableau des cordons prolongateurs.

TABLEAU DES CORDONS PROLONGATEURS		
Si la longueur du prolongateur est inférieure ou égale à:	30,5 m (100 pi.)	46 m (150 pi.)
S'assurer que le calibre (A.W.G.) du cordon est de:	16	14

Pour réduire les risques de choc électrique, cet appareil est équipé d'une fiche électrique polarisée (une broche est plus large que l'autre) (Fig. 12). Cette fiche ne peut être insérée dans une prise polarisée que dans un sens. Si la fiche n'entre pas dans la prise, l'inverser. Si elle ne rentre toujours pas, demandez à un électricien qualifié d'installer une prise adéquate. Ne pas modifier la fiche en quelque façon que ce soit.

1. Former une boucle avec le cordon prolongateur et l'insérer dans la fente de l'arrière du bloc moteur (Fig. 13).
2. Assujettir le cordon prolongateur dans le dispositif de blocage (Fig. 13)

Remarque: ne pas débrancher le prolongateur en tirant sur le cordon. Saisir la prise et non pas le cordon.

ATTENTION

DANGER POTENTIEL

- Le cordon prolongateur risque d'être endommagé.

QUELS SONT LES RISQUES?

- Un cordon endommagé peut causer un choc électrique ou un incendie.

COMMENT SE PROTÉGER?

- Inspecter attentivement le cordon électrique avant d'utiliser l'appareil. Si le cordon est endommagé, ne pas utiliser l'appareil et le remplacer ou le réparer immédiatement. Pour toute assistance, contacter le concessionnaire réparateur TORO le plus proche.

Fonctionnement

Cet appareil est conçu exclusivement pour l'usage domestique.

PRUDENCE

DANGER POTENTIEL

- Des débris peuvent être projetés par l'appareil, en direction de l'opérateur ou des personnes se tenant à proximité.

QUELS SONT LES RISQUES?

- Les débris projetés peuvent blesser gravement l'opérateur ou les personnes se tenant à proximité.

COMMENT SE PROTÉGER?

- Toujours porter des lunettes de sécurité ou un autre dispositif de protection oculaire approprié, des pantalons longs et des chaussures pour utiliser l'appareil.
- Ne jamais utiliser l'appareil à proximité de personnes ou d'animaux domestiques.
- Se montrer particulièrement prudent lors du nettoyage d'escaliers.

Démarrage/arrêt (Fig. 14)

1. Pour mettre l'appareil en marche, placer le commutateur sur "I".
2. Pour arrêter l'appareil, mettre le commutateur en position "O". Le dessus de commutateur comporte le mot "OFF" (arrêt) et une flèche indiquant dans quel sens le bouton doit être poussé.

Aspirateur (Fig. 15)

PRUDENCE

DANGER POTENTIEL

- Des débris peuvent être projetés par l'appareil, en direction de l'opérateur ou des personnes se tenant à proximité.

QUELS SONT LES RISQUES?

- Les débris projetés peuvent gravement blesser l'opérateur ou les personnes se tenant à proximité.

COMMENT SE PROTÉGER?

- Ne jamais utiliser l'aspirateur si le sac n'est pas en place.
- Toujours vérifier que la fermeture à glissière du sac est fermée lors de l'utilisation.

1. Les tubes et le sac d'aspiration étant montés, soulever l'appareil par les poignées du tube et du bloc moteur. Le sac doit être positionné assez bas sur le côté de l'opérateur. Placer la sangle du sac sur l'épaule et régler la longueur.
2. Démarrer l'appareil.
3. Aspirer les feuilles avec un mouvement de balayage latéral. Ne pas forcer le tube dans des tas de débris.

Remarque: les feuilles sèches sont plus faciles à aspirer et sont déchiquetées plus finement.

IMPORTANT

- **Cet appareil est conçu pour aspirer et déchiqueter les feuilles sèches et autres débris légers du même type.**
- **Ne pas essayer d'aspirer des cailloux, du gravier, du verre brisé, des brindilles, de l'écorce, des glands ou des pommes de pin qui pourraient gravement endommager les pales du ventilateur.**
- **Ne jamais aspirer de matériaux en combustion ou dégageant de la fumée tels que cigarettes, allumettes ou cendres chaudes.**
- **Ne pas utiliser l'appareil pour aspirer des liquides, en particulier s'ils sont inflammables ou combustibles tels que l'essence, ou dans des endroits où de tels produits peuvent être présents.**
- **Ne pas mettre le tube d'aspiration à la verticale ni forcer les débris dans le tube.**

Si l'appareil commence à vibrer ou à produire des bruits anormaux, l'arrêter, **débrancher** le cordon d'alimentation et déterminer la cause du problème.

Pendant l'utilisation, les ouvertures peuvent être obstruées par de la poussière, des peluches, des cheveux, etc. Des ouvertures obstruées peuvent nuire à l'efficacité de l'appareil et causer des dommages. L'appareil doit être débarrassé de tous débris risquant de bloquer le débit d'air.

Vidage du sac

1. Arrêter l'appareil et débrancher le cordon d'alimentation.
2. Appuyer sur les deux languettes du collier du sac pour retirer le sac (Fig. 16).

3. Ouvrir la fermeture à glissière du bas du sac et le secouer pour le vider de tous débris.

Entretien

Obturation

Les obstructions par des débris peuvent généralement être débloquées en éteignant l'appareil et en compressant rapidement le sac pendant qu'il est toujours gonflé, afin de forcer l'air dans les tubes d'aspiration. Cette pression d'air est généralement suffisante pour dégager toutes les obstructions.

Si l'obstruction ne peut pas être dégagée par compression du sac, procéder comme suit en prenant **les précautions nécessaires** :

1. Éteindre et **débrancher** l'appareil.
2. Retirer les tubes d'aspiration.
3. En procédant avec précaution, insérer un petit bâton dans l'ouverture de l'hélice pour la débarrasser des débris.

Nettoyage du sac

Les débris ne doivent pas être laissés dans le sac, qui doit être vidé après chaque utilisation pour un fonctionnement optimal. Après environ trois utilisations, le sac doit être soigneusement nettoyé. Retourner le sac et le secouer vigoureusement pour le débarrasser de toutes poussières et de tous débris. Une fois par an, laver le sac à la main dans de l'eau savonneuse.



ATTENTION

DANGER POTENTIEL

- Dans des conditions normales d'utilisation, le sac est sujet à la détérioration et à l'usure.

QUELS SONT LES RISQUES?

- De petits objets peuvent passer au travers d'un sac usé ou endommagé et être projetés en direction de l'opérateur ou des personnes se tenant à proximité et causer des blessures graves.


COMMENT SE PROTÉGER?

- Vérifier fréquemment le sac pour l'usure et la détérioration. Si le sac est endommagé, le remplacer avec un sac TORO d'origine.

Remplacement de l'hélice (Fig. 17)

En cas de réduction de la performance, arrêter et débrancher l'appareil, retirer le couvercle d'admission d'air et vérifier l'usure des pales de l'hélice. Si les pales sont très usées, se procurer une nouvelle hélice auprès d'un concessionnaire réparateur TORO agréé.

Réparation d'appareils à double isolation

Sur les appareils de ce type, la mise à la terre est remplacée par deux systèmes d'isolation. Cela signifie que l'appareil n'est pas mis à la terre et qu'aucun dispositif à cet effet ne doit lui être ajouté. La réparation d'appareils à double isolation exige une extrême prudence et une excellente connaissance du système. Elle doit par conséquent être confiée à un personnel qualifié. Les pièces de rechange utilisées pour les réparations des appareils à double isolation doivent être rigoureusement identiques aux pièces d'origine. Ce type d'appareil est identifié par une inscription "DOUBLE INSULATION", "DOUBLE INSULATED" ou par le symbole  (un carré dans un autre).

Service après-vente Toro

Pour toute réparation ou maintenance, le plus proche revendeur TORO Master Service sera le meilleur conseiller. Consulter les pages jaunes de l'annuaire local, à la section "Tondeuses à gazon". La liste des noms des revendeurs TORO Master Service se trouve

sous le nom de marque TORO. Si vous rencontrez des difficultés dans la recherche d'un revendeur TORO Master Service proche de chez vous, appelez le 1-800-421-9684.

Dépannage

PROBLEME	CAUSE POSSIBLE	QUE FAIRE?
L'appareil ne marche pas ou s'arrête	<ol style="list-style-type: none">1. Appareil non branché2. Interrupteur Marche/Arrêt en position ARRET3. Couvercle d'admission d'air ou tube d'aspiration mal monté ou manquant4. Fusible fondu ou disjoncteur déclenché5. Cordon prolongateur défectueux	<ol style="list-style-type: none">1. Brancher l'appareil2. Mettre en position MARCHE3. Monter correctement le couvercle ou le tube4. Remplacer le fusible ou réarmer le disjoncteur5. Remplacer le cordon
L'appareil semble peu puissant	<ol style="list-style-type: none">1. Usure de la turbine	<ol style="list-style-type: none">1. Remplacer la turbine
Le tube d'aspiration se détache du bloc-moteur	<ol style="list-style-type: none">1. Languettes mal insérées dans le boîtier	<ol style="list-style-type: none">1. Réinsérer le tube correctement

La promesse Toro

Garantie totale de deux ans pour usage résidentiel aux États-Unis, au Canada et au Mexique

La Toro Company garantit ce produit TORO contre tout défaut de matériaux ou de fabrication pour une période de deux ans. Pour obtenir le remplacement ou la réparation, à l'option de Toro, il suffit de retourner l'appareil complet, en port payé, au revendeur (les clients des États-Unis seulement peuvent retourner leur appareil à tout Concessionnaire TORO Master Service ou au centre de réparations TORO, 5300 Shoreline Blvd., Mound, MN 55364). Cette garantie couvre uniquement les défauts du produit. **Elle ne couvre pas les dommages directs ou indirects. Certains états et provinces ne permettant pas l'exclusion ou la limitation des dommages directs ou indirects, les limitations mentionnées plus haut peuvent ne pas s'appliquer à votre cas.** Cette garantie vous donne des droits spécifiques. Vous pouvez également bénéficier d'autres droits qui varient selon les états et provinces. Si toutes vos tentatives de recours échouent, vous pouvez nous contacter à : The Toro Company, Customer Service Department, 8111 Lyndale Ave S, Bloomington, MN, 55420-1195 (ne retournez pas les produits défectueux à cette adresse).

PAYS AUTRES QUE LES ÉTATS-UNIS, LE CANADA ET LE MEXIQUE

Les consommateurs ayant achetés des produits Toro exportés des États-Unis, du Canada ou du Mexique devront se mettre en rapport avec leur distributeur (concessionnaire) Toro afin d'obtenir les polices de garantie pour leur pays, province ou état. Si, pour une raison quelconque, vous n'étiez pas satisfait du service de votre distributeur ou aviez des difficultés à obtenir des informations sur la garantie, contactez l'importateur TORO.

Contenido

	Page
Introducción	1
Advertencia	2
Calcomanías de seguridad e instrucción ..	4
Ensamble	4
Sopladora	4
Aspiradora	4
Antes de comenzar	5
Sujecion del cable alimentador	5
Operacion	6
Arranque/Paro	6
Aspiradora	6
Vaciado de la bolsa	7
Mantenimiento	7
Obturaciones	7
Limpieza de la bolsa	7
Cambio del impulsor	8
Servicio a aparatos con doble aislamiento .	8
Apoyo de servicio de Toro	8
Localización de averías	8
La promesa de Toro	9

Introducción

Agradecemos su compra de un producto Toro.

En Toro todos deseamos que usted quede completamente satisfecho con su nuevo producto y por ello no tenga ningún reparo en comunicarse con el Concesionario de Servicio Autorizado de su localidad para pedir ayuda con el mantenimiento, repuestos genuinos de Toro o cualquier otra información que precise.

Siempre que se comuniqué con el Concesionario de Servicio Autorizado o con la fábrica, tenga a la mano los números de modelo y serie del producto. Estos números ayudarán al Concesionario de Servicio o al Representante de Servicio a proporcionarle una información precisa acerca de su producto

determinado. Encontrará la calcomanía con los números de modelo y serie en un lugar especial en el producto (Fig. 1).

Para mayor comodidad, anote los números de modelo y serie en los renglones a continuación:

No. del modelo: _____
No. de serie: _____

Lea bien este manual para así aprender cómo hacer funcionar y mantener correctamente su producto. La lectura de este manual le ayudará a usted y a otras personas a evitar lesiones corporales y daños al producto. Aunque Toro diseña, produce y comercializa productos modernos y seguros, usted es responsable de usar el producto debidamente y de forma segura. También es responsable de enseñar a las personas a quienes deje usar el producto acerca de la operación de forma segura.

El sistema de advertencias de Toro en este manual identifica los posibles riesgos y contiene mensajes especiales acerca de la seguridad que le ayudarán a usted y a otras personas a evitar lesiones corporales, inclusive de muerte. PELIGRO, ADVERTENCIA Y PRECAUCION son palabras indicadoras utilizadas para identificar el grado del riesgo. No obstante, independientemente del riesgo, tenga sumo cuidado.

PELIGRO indica un riesgo extremado que causará una lesión grave o de muerte si no se observan las precauciones recomendadas.


ADVERTENCIA indica un riesgo que causaría una lesión grave o de muerte si no se observan las precauciones recomendadas.

PRECAUCION indica un riesgo que causaría una lesión leve o moderada si no se observan las precauciones recomendadas.

También se utilizan dos palabras adicionales para hacer resaltar la información. “Importante” llama la atención a información mecánica especial y “Nota” da énfasis a información general que merece una atención especial.

Advertencia

IMPORTANTES INSTRUCCIONES DE SEGURIDAD

Para lograr la máxima seguridad, el mejor rendimiento y adquirir conocimientos acerca del aparato, antes de su operación es esencial que usted y todos los demás operadores del aparato lean y comprendan el contenido de este manual. Preste una atención especial al símbolo de alerta de seguridad  que significa PRECAUCION, ADVERTENCIA O PELIGRO— “instrucción para la seguridad personal”. Lea y comprenda la instrucción puesto que tiene que ver con la seguridad. EL HECHO DE NO OBEDECER LA INSTRUCCION PUEDE RESULTAR EN LESION CORPORAL, RIESGO DE INCENDIO O DESCARGA ELECTRICA.

LEA TODAS LAS INSTRUCCIONES ANTES DE USAR ESTE APARATO

ÁCONSERVE ESTAS INSTRUCCIONES PARA CONSULTARLAS EN EL FUTURO!

ADVERTENCIA - Para reducir el riesgo de incendio, choque eléctrico o lesiones, observe estas instrucciones de seguridad.

1. Antes de usar el aparato, lea y comprenda el contenido de este manual. Familiarícese totalmente con el debido uso del aparato.
2. Mantenga a todo el mundo lejos de la zona de operaciones, en especial a los niños y los animales domésticos. Jamás permita que los niños operen el aparato. No es un juguete. Nunca deje que los adultos operen la unidad sin que antes hayan leído el Manual del Operador.
3. Nunca sople escombros hacia personas o animales.
4. Siempre use gafas de seguridad o demás protección ocular idónea.
5. No utilizar sobre superficies mojadas. No exponer a la lluvia. Almacenar en el interior de un recinto.
6. Vístase correctamente. No use ropa suelta ni joyas. Se pueden atrapar en las piezas en movimiento. Sujete con ganchos el cabello largo de forma que no pueda ser aspirado dentro de la toma de aire de la unidad. Siempre use calzado fuerte y pantalones largos.
7. Cuando opere la unidad bajo condiciones de polvo, siempre use una máscara contra polvo aprobada.
8. Use el aparato correcto. No use el aparato para una labor que no sea para la cual se diseñó.
9. Use este aparato exclusivamente de la forma descrita en este manual. Con este aparato debe usar exclusivamente dispositivos de Toro.
10. Para reducir el riesgo de choque eléctrico use solamente un cable de extensión aprobado por UL (certificado por CSA en Canadá) y recomendado para el uso al aire libre. Consulte la Tabla de Cables de Extensión en la sección titulada “Antes de comenzar” 5. Cambie inmediatamente un cable de extensión que esté averiado.
11. Conecte debidamente el cable de extensión en el enchufe del aparato a fin de evitar la desconexión del cable (Fig. 13).
12. Evite el arranque accidental. Cuando cargue el aparato conectado no ponga el dedo sobre el interruptor.
13. Apague todos los controles antes de desenchufar el cable.
14. No toque el enchufe ni el aparato con las manos mojadas ni mientras esté parado en el agua.

-
15. No use el aparato con un cable o enchufe averiado. Si el aparato no funciona como es debido, se ha caído, dañado, dejado a la intemperie o sumergido en agua, devuélvalo a un Concesionario de Servicio Toro Autorizado.
 16. Trate el cable con cuidado. No tire ni cargue el aparato por el cable ni cierre una puerta sobre el cable ni arrastre el cable por rebordes o esquinas agudas. No use el cable de manija. No desenchufe el aparato halando del cable. Para desenchufar, hale del enchufe y no del cable.
 17. Mantenga el cable alejado del calor fuerte, el aceite y los bordes agudos. Cambie los cables dañados.
 18. Nunca aspire nada que se esté quemando o echando humo, tal como cigarrillos, fósforos o cenizas calientes.
 19. No coloque ningún objeto dentro de los orificios (v.g., las tapas del ventilador, tomas de aire ni demás orificios de la caja). No use el aparato si hay orificios obstruidos; manténgalo sin polvo, pelusa, pelo y todo lo demás que pueda reducir la corriente de aire.
 20. No use el aparato para aspirar líquidos, en especial los líquidos inflamables o combustibles tales como gasolina, ni lo use en lugares donde éstos puedan estar presentes.
 21. Nunca aspire materiales peligrosos tales como el asbesto.
 22. Siempre esté seguro de su pisada. Mantenga firme la manija y camine, nunca corra. Tenga cuidado adicional al limpiar escaleras.
 23. Pare el motor y desenchufe el cable alimentador siempre que se aparte del aparato, antes de limpiar la caja y cuando haga reparaciones o inspecciones.
 24. Cuando no esté usando el aparato, almacénelo en un lugar seco y lejos del alcance de los niños.
 25. Mantenga apretados todos los sujetadores para asegurarse de que el aparato esté en condiciones de uso seguras.
 26. Nunca lo opere sin que los debidos resguardos o demás dispositivos protectores de seguridad estén bien colocados.
 27. No ponga las manos ni los pies cerca de las piezas que giran. Manténgase a salvo en todo momento.
 28. Si el aparato comienza a vibrar de forma anormal, apague el motor, desenchufe el cable y busque la causa inmediatamente. La vibración por lo general es señal de problemas.
 29. No opere el aparato después de que se haya caído o dañado. Devuélvalo al Concesionario de Servicio Toro Autorizado más cercano para que se efectúen las reparaciones.
 30. Este aparato tiene doble aislamiento. Use exclusivamente repuestos idénticos. Vea en la página 7 el Servicio a Aparatos con Doble Aislamiento.
 31. Al prestar servicio use exclusivamente TORO repuestos idénticos. Cambie o reemplace los cables dañados.
 32. Los escombros lanzados al aire pueden causar lesiones corporales graves al operario o las personas que estén cerca. Cuando la unidad está en uso, asegúrese siempre de que la cremallera de la bolsa esté cerrada. Revise la bolsa frecuentemente para controlar si hay desgaste o deterioro. Si la bolsa está dañada, reemplácela por una pieza genuina de TORO.

Calcomanías de seguridad e instrucción



Las calcomanías de seguridad e instrucción están colocadas a plena vista del operador y se encuentran cerca de todo lugar donde haya un peligro potencial. Reponga toda calcomanía estropeada o perdida.

DOUBLE INSULATED
DOBLE AISLACION
LISTED HOMOLOGUE UL-46N3

▲ **WARNING:** TO REDUCE RISK OF ELECTRIC SHOCK, DO NOT EXPOSE UNIT TO WATER OR OPERATE UNIT ON WET GROUND. STORE IN-DOORS. WHEN SERVICING USE ONLY IDENTICAL REPLACEMENT PARTS. TO AVOID INJURY DISCONNECT THE POWER SUPPLY BEFORE CLEANING OR CHANGING ACCESSORIES. FOR HOUSEHOLD USE ONLY. ▲ **CAUTION:** EYE PROTECTION SHOULD BE WORN BY OPERATOR OF THIS UNIT. The TORO Co., Bloomington, MN. U.S.A. IEE.UU. Mfd. under U.S. Patent No.: 4,694,528.

▲ **ADVERTENCIA:** PARA REDUCIR EL RIESGO DE ELECTROCUCION, NO EXPONGA LA UNIDAD AL AGUA NI LA HAGA FUNCIONAR EN PISOS MOJADOS. GUARDELA ADENTRO. AL REALIZAR REPARACIONES, USE SOLAMENTE REPUESTOS IDENTICOS. PARA EVITAR HERIDAS, DESENCHUFE LA FUENTE DE ENERGIA ANTES DE LIMPIARLA O CAMBIAR ACCESORIOS. PARA USO DOMESTICO SOLAMENTE

▲ **PRECAUCION:** EL OPERADOR DE ESTA UNIDAD DEBERA USAR UN PROTECTOR PARA LOS OJOS.

Model Number/Numero del Modelo: [REDACTED]
Serial Number/Numero de Serie: [REDACTED]

▲ **AVERTISSEMENT:** POUR RÉDUIRE LE RISQUE D'ELECTROCUTION, NE PAS EXPOSER L'APPAREIL À L'EAU ET NE PAS L'UTILISER SUR SOL HUMIDE. LE CONSERVER DANS UN ENDROIT COUVERT. POUR L'ENTRETIEN, UTILISER SEULEMENT DES PIÈCES DE RECHANGE IDENTIQUES. POUR ÉVITER UN ACCIDENT, DÉBRANCHER LE BLOC D'ALIMENTATION AVANT LE NETTOYAGE OU LE CHANGEMENT D'ACCESSOIRES. RÉSERVE À L'USAGE DOMESTIQUE. ▲ **MISE EN GARDE:** NE PAS UTILISER L'APPAREIL SANS LUNETTES DE PROTECTION. 1 2 3 4

AMPS, 120 VOLTS A.C./C.A., 60 HZ

EN LA CAJA DE LA SOPLADORA

Ensamble

Nota: antes de agregar o cambiar dispositivos siempre apague el aparato y desenchúfelo de la toma eléctrica.

Sopladora

1. Deslice el tubo dentro de la salida del tubo hasta que las lengüetas del tubo se traben en el pestillo (Fig. 2).

Nota: para que la sopladora funcione, la tapa de entrada debe estar bien trabada en su posición, activando el interruptor de traba. La guía de la tapa estará alineada con la guía de la caja cuando la tapa esté bien trabada en su posición (Figs. 3 y 4).

Nota: la sopladora se envía con la tapa de entrada instalada.

Aspiradora

1. Para quitar la tapa de entrada, sujétela y gírela hacia la izquierda (Fig. 5).



PRECAUCION

PELIGRO POTENCIAL

- El impulsor del motor continúa girando unos segundos después de que se apaga la sopladora.

LO QUE PUEDE SUCEDER

- Al estar girando, el impulsor puede cortar o lesionar los dedos.

COMO EVITAR EL PELIGRO

- Nunca quite la tapa de entrada mientras el motor está funcionando o cuando la unidad esté enchufada.

2. Ensamble los tubos aspiradores presionándolos uno contra otro (Fig. 6). A fin de garantizar el ensamble correcto, alinee las flechas por fuera de los tubos.

3. Sujete los tubos aspiradores verticalmente y coloque la tapa de entrada de la aspiradora encima del tubo (Fig. 7). Los tubos cabrán dentro de la entrada de la sopladora de una sola manera.
4. Gire la unidad hacia la derecha hasta que la guía del tubo aspirador se alinee con la guía en la caja (Figs. 8, 9 y 10).

Nota: para que funcione la sopladora las guías del tubo aspirador y de la caja deben estar alineados en la posición de cierre.

5. Deslice el collar de la bolsa sobre la salida de la sopladora hasta que las lengüetas del collar de la bolsa se traben en el pestillo (Fig. 11).

Antes de comenzar

Sujecion del cable alimentador

Use solamente un cable de extensión listado por UL (certificado por CSA en Canadá) y recomendado para el uso al aire libre. Consulte la Tabla de Cables de Extensión.

TABLA DE CABLES DE EXTENSION		
Si la longitud del cable de extensión es como mínimo igual a:	30,5 m (100 pies)	46 m (150 pies)
Cerciórese de que el calibre del alambre (A.W.G.) sea:	16	14

Nota: no se recomienda el uso de un cable de extensión de más de 46 m (150 pies).

ADVERTENCIA

PELIGRO POTENCIAL

- El contacto con el agua mientras la unidad funciona podría causar un choque eléctrico.

LO QUE PUEDE SUCEDER

- El choque eléctrico puede causar lesiones o la muerte.

COMO EVITAR EL PELIGRO

- No toque el enchufe ni el aparato con las manos mojadas ni mientras esté parado en el agua.
- Use solamente un cable de extensión listado por UL (certificado por CSA en Canadá) y recomendado para el uso al aire libre en clima frío. Consulte la Tabla de Cables de Extensión en la página 6.

Para reducir el peligro de descarga eléctrica, este aparato tiene un enchufe polarizado (una pata es más ancha que la otra) (Fig. 12). Este enchufe cabrá dentro de un tomacorrientes polarizado sólo de una forma. Si el enchufe no cabe completamente dentro del tomacorrientes, invierta el enchufe. Si aún no cabe, consulte con un electricista acreditado para que le instale el tomacorrientes apropiado. No altere el enchufe en ninguna forma.

1. Forme un bucle en el cable de extensión e introdúzcalo por la ranura detrás de la caja de la sopladora (Fig. 13).
2. Afiance el cable de extensión en la traba para el cable (Fig. 13).

Nota: no desenchufe el cable de extensión halando del cable. Para desenchufar, hale del enchufe y no del cable.

ADVERTENCIA

PELIGRO POTENCIAL

- Se podría averiar el cable eléctrico.

LO QUE PUEDE SUCCEDER

- Un cable eléctrico averiado puede causar un choque eléctrico o incendio.

COMO EVITAR EL PELIGRO

- Inspeccione muy bien el cable eléctrico antes de usar la unidad. Si el cable está averiado, no haga funcionar la unidad. Cambie o repare inmediatamente el cable averiado. Comuníquese con el concesionario de TORO para pedir ayuda adicional.

Operacion

Este aparato es exclusivamente para uso doméstico.

PRECAUCION

PELIGRO POTENCIAL

- Los escombros pueden ser lanzados por la unidad hacia el operario o las personas que estén cerca.

LO QUE PUEDE SUCCEDER

- Los escombros lanzados al aire pueden causar lesiones corporales graves al operario o las personas que estén cerca.

COMO EVITAR EL PELIGRO

- Al operar el aparato siempre use gafas de seguridad o demás protección ocular idónea, pantalones largos y zapatos.
- Nunca opere la unidad cerca de personas, animales domésticos, etc.
- Tenga un cuidado especial al despejar escombros de las escaleras.

Arranque/Paro (Fig. 14)

1. Para encender la unidad, corra el interruptor a la posición 'I'.
2. Para apagar la unidad, corra el interruptor a la posición 'O'. Una flecha y la palabra "OFF" encima del interruptor indican en qué sentido se debe correr el interruptor.

Aspiradora (Fig. 15)

PRECAUCION

PELIGRO POTENCIAL

- Los escombros pueden ser lanzados por la unidad hacia el operario o las personas que estén cerca.

LO QUE PUEDE SUCCEDER

- Nunca haga funcionar la aspiradora sin la bolsa para la aspiradora.

COMO EVITAR EL PELIGRO

- Los escombros lanzados al aire pueden causar lesiones corporales graves al operario o las personas que estén cerca.
- Cuando la unidad está en uso, asegúrese siempre de que la cremallera de la bolsa esté cerrada.

1. Con los tubos aspiradores y la bolsa puestos, alce la unidad tomándola por las manijas del tubo aspirador y de la caja. La bolsa debe quedar a su lado, bastante baja.
2. Encienda la unidad.
3. Pase la unidad lentamente de lado a lado sobre las hojas que se van a aspirar. No fuerce el tubo dentro de un montón de escombros.

Nota: las hojas secas son más fáciles de aspirar y se deshacen en partículas más pequeñas.

IMPORTANTE

- Esta unidad está diseñada para recoger y deshacer hojas secas y demás escombros ligeros y frondosos.
- No intente recoger piedras, cascajo, vidrio roto, ramitas, cortezas, bellotas ni piñas puesto que puede ocasionar daño a las hojas de la hélice.
- No recoja nada que se esté quemando o echando humo, tal como cigarrillos, fósforos o cenizas calientes.
- No recoja líquidos, en especial líquidos inflamables o combustibles tales como gasolina, ni use la unidad en lugares donde éstos puedan estar presentes.
- No ponga los tubos aspiradores en posición vertical para forzar escombros dentro de ellos.

Si la unidad comienza a vibrar o hacer ruidos anormales, apáguela, **desenchufe** el cable y busque la causa.

Durante la operación las aberturas pueden quedar obstruidas por polvo, pelusa, pelo, etc. Las aberturas obstruidas podrían ocasionar daños a la unidad y reducir su eficacia. Mantenga la unidad libre de escombros que podrían reducir el flujo del aire.

Vaciado de la bolsa

1. Apague la unidad. Desconecte el cable de extensión.
2. Para sacar la bolsa de la unidad oprima las dos lengüetas del collar de la bolsa (Fig. 16).
3. Abra la bolsa por el fondo y sacuda para sacar los escombros.

Mantenimiento

Obturaciones

Si la unidad se obstruye con escombros, por lo general la obstrucción se puede eliminar apagando la unidad y seguidamente comprimiendo la bolsa mientras aún está inflada, por lo tanto forzando la salida del aire a través de los tubos aspiradores.

Si la obstrucción no se puede eliminar comprimiendo la bolsa, entonces proceda con **precaución**, del modo siguiente:

1. Apague y **desenchufe** la unidad.
2. Remueva los tubos.
3. Introduzca con cuidado dentro de la hélice un palito o varillita y saque los escombros.

Limpieza de la bolsa

Los escombros no deben quedar almacenados en la bolsa de la aspiradora. Para una operación más eficaz se recomienda vaciar la bolsa después de cada uso. Después de unos tres usos, hay que limpiar muy bien la bolsa. Vuelva la bolsa al revés y sacuda vigorosamente el polvo y los escombros. Una vez al año lave la bolsa a mano en agua enjabonada.

ADVERTENCIA

PELIGRO POTENCIAL

- Con el uso normal, el material de la bolsa está sujeto al deterioro y al desgaste.

LO QUE PUEDE SUCEDER

- Los objetos pequeños podrían pasar por una bolsa desgastada o dañada y ser lanzados hacia el operario o las personas que estén cerca y causar graves lesiones corporales.

COMO EVITAR EL PELIGRO


- Revise la bolsa frecuentemente para controlar si hay desgaste o deterioro. Si la bolsa está dañada, reemplácela por una pieza genuina de TORO.

Cambio del impulsor (Fig. 17)

Si detecta una disminución en el rendimiento mientras opera la sopladora, desenchufe la unidad, remueva la tapa de entrada y revise las hojas de la hélice por si hay desgaste. Si las hojas están sumamente desgastadas, acuda al Concesionario de Servicio Autorizado de TORO para comprar un impulsor nuevo.

Servicio a aparatos con doble aislamiento

En un aparato con doble aislamiento, en vez de puesta a tierra hay dos sistemas de aislamiento. En el aparato con doble aislamiento no hay medios para puesta a tierra ni se los debe agregar. La prestación de servicio al aparato con doble aislamiento precisa de sumo cuidado y conocimiento del sistema y solamente la debe efectuar el personal de servicio capacitado. Los repuestos para el aparato con doble aislamiento deben

ser idénticos a las piezas que reemplazan. Un aparato con doble aislamiento va marcado con las palabras "DOUBLE INSULATION" o "DOUBLE INSULATED". También podría estar gravado en el aparato el símbolo  (un cuadro dentro de otro).

Apoyo de servicio de Toro

Si su unidad precisa de servicio o mantenimiento, el mejor concesionario para prestar este servicio sería el Concesionario de TORO Master Service más cercano. Busque en las "Páginas Amarillas" de su directorio telefónico local bajo la sección titulada "Lawn Mowers" (Cortadoras de Hierba). Los Concesionarios de TORO Master Service están listados bajo la marca registrada TORO. Si necesita ayuda para localizar al Concesionario de TORO Master Service más cercano, llame al 1-800-421-9684.

Localización de averías

PROBLEMA	CAUSA POSIBLE	ACCIÓN CORRECTIVA
La unidad no se pone en marcha o deja de funcionar	<ol style="list-style-type: none"> 1. La unidad no está conectada 2. Interruptor on/off en la posición "off" 3. Tapa de entrada o tubo de aspiración no instalados o instalados incorrectamente 4. Fusible fundido o cortocircuito desenganchado 5. Cable de extensión defectuoso 	<ol style="list-style-type: none"> 1. Conectar la unidad 2. Colocar el interruptor en la posición "on" 3. Sujetar de forma segura la tapa y el tubo de aspiración 4. Reemplazar el fusible o enganchar el cortocircuito 5. Reemplazar el cable
Parece que la unidad tiene poca potencia	<ol style="list-style-type: none"> 1. Propulsor desgastado 	<ol style="list-style-type: none"> 1. Reemplazar el propulsor
El tubo de aspiración no se mantiene sujeto a la caja	<ol style="list-style-type: none"> 1. Las lengüetas de montaje del tubo no están correctamente fijadas a la caja 	<ol style="list-style-type: none"> 1. Volver a colocar el tubo de aspiración en su posición correcta

La promesa de Toro

Garantía total de dos años para uso residencial Para Estados Unidos, Canadá y México

Toro Company garantiza este producto por dos años contra defectos en material o mano de obra. Para obtener un reemplazo o la reparación, a opción de Toro, devuelva toda la unidad al vendedor, con correo prepago. (SOLAMENTE los clientes en EE.UU. pueden devolver su unidad, con el comprobante de compra, a cualquier Concesionario de Servicio Maestro de TORO o a: TORO Service Center, 5300 Shoreline Blvd., Mound, MN 55364). Esta garantía cubre solamente los defectos del producto. **No cubre daños incidentales ni consecuentes. Algunos estados no permiten la exclusión o limitación de daños incidentales o consecuentes y por ello es posible que la limitación precedente no le corresponda a usted.** Esta garantía le da derechos específicos y es posible que usted tenga otros derechos que varían de un estado a otro. Si fallan todos los demás recursos, comuníquese con nosotros a: The Toro Company, Customer Service Department, 8111 Lyndale Ave S, Bloomington, MN 55420-1196. (No envíe a esta dirección el producto defectuoso).

PAISES DISTINTOS A ESTADOS UNIDOS, CANADA Y MEXICO

Los clientes que compraron productos de TORO exportados de Estados Unidos, Canadá o México deben comunicarse con su Distribuidor (Concesionario) de TORO para pedir información acerca de la política sobre garantía para su país, provincia, estado o departamento. Si por cualquier motivo no queda satisfecho con el servicio del Distribuidor o tienen dificultad en obtener la información acerca de la garantía, comuníquese con el importador de TORO.

