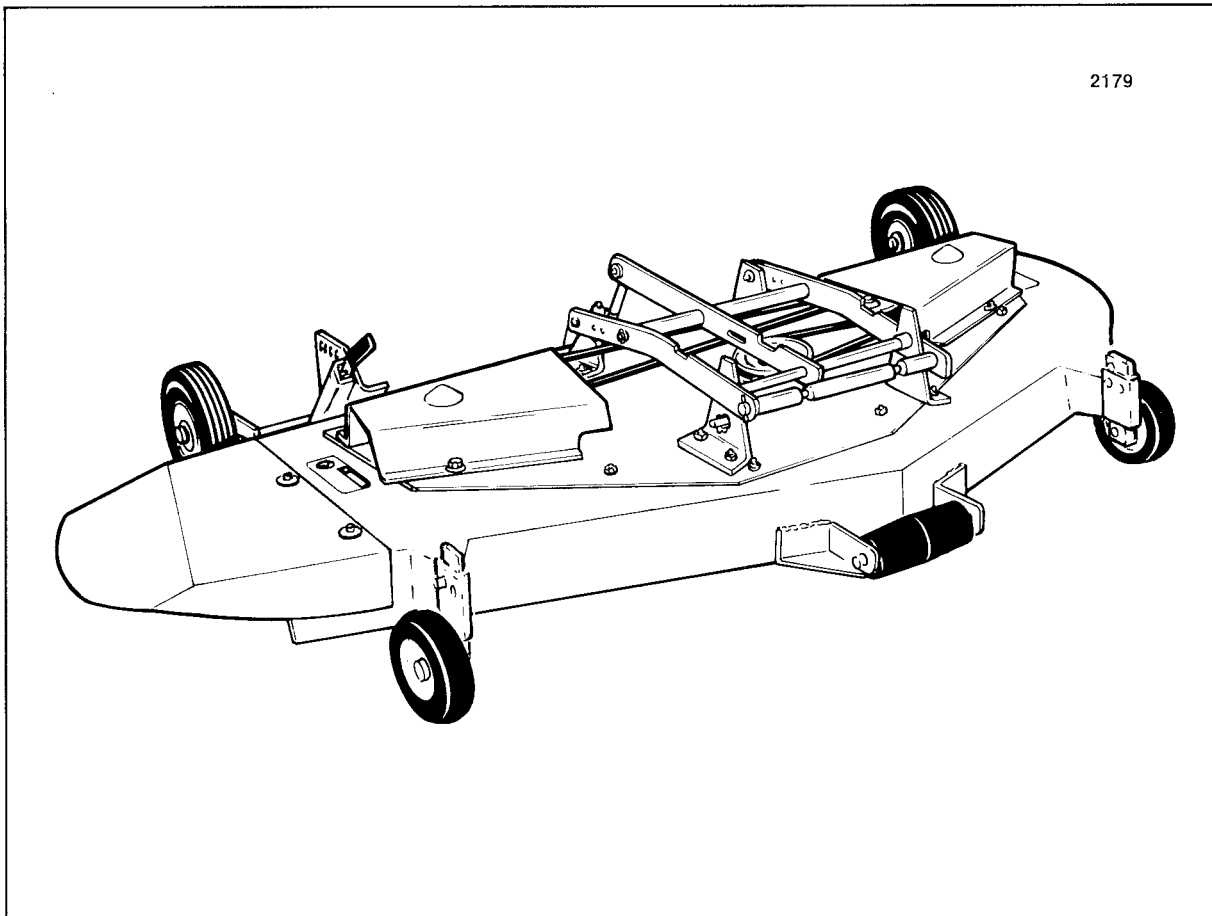




MODEL NO. C5-60SC04 -2000001 & UP

OPERATOR'S
MANUAL

WHEEL HORSE®
60 in. (152 cm) Side Discharge Mower



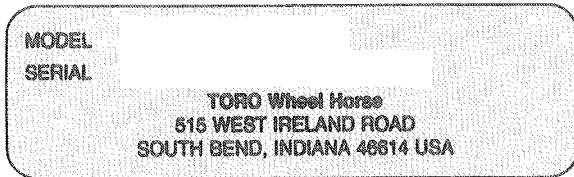
2179

CONTENTS

	<u>Page</u>		<u>Page</u>
MODEL AND SERIAL NUMBER	1	ADJUSTABLE ANTI-SCALP FRONT	
INSTALLATION	1	ROLLERS	3
MOWER ASSEMBLY	1	REMOVAL	4
POSITION MOWER UNDER TRACTOR	1	OPERATION & HEIGHT-OF CUT SETTING ..	4
ATTACH MOWER TO TRACTOR	1	MAINTENANCE AND STORAGE	4
INSTALL FRONT PULLEY SUPPORT ..	1	LUBRICATION	4
INSTALL DRIVE BELT AND COVER	2	BLADE MAINTENANCE	4
CHECKING MOWER LEVEL	3	UNDERSIDE CLEANING	5
MOWER LEVEL	3	REPLACEMENT BELTS	5
TRACTOR LIFT BAR-TRUNNION AND		MOWER DRIVE BELT REPLACEMENT	5
LIFT ROD ADJUSTMENT	3	SPINDLE BELT REPLACEMENT	5
TRANSPORT LEVEL STOP ADJUSTMENT	3	GENERAL CARE AND STORAGE	5

MODEL AND SERIAL NUMBER

A Model and Serial Number identifies your Toro Wheel Horse attachment. These numbers should always be referred to when consulting with your dealer or factory concerning service, replacement parts, or questions you may have. If Model and Serial number plate is removed during repair operations it should always be replaced. For your reference, record number from Model and Serial Number Plate on your attachment.



INSTALLATION

MOWER ASSEMBLY

Install discharge chute to mower using two 3/8-16 x 3 3/4 bolts, springs and locknuts. Hooks on springs must be positioned as shown in Figure 1. Check that discharge chute moves freely up and down with spring down pressure.

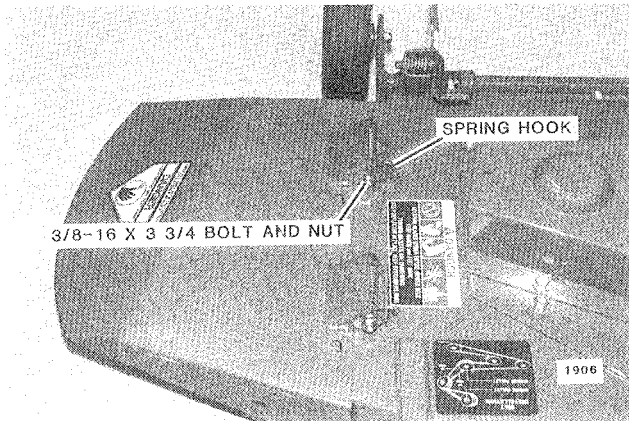


FIG. 1. Install Discharge Chute

POSITION MOWER UNDER TRACTOR

IMPORTANT

Before installation, check that all mower blade nuts are tight:

Blade Nut Torque 102-170 ft. lbs. (143-238 Nm)

Check that mower spindles have been lubricated. Use a pressure grease gun and #2 multi-purpose lithium grease. Grease fittings are on sides of spindles.

CAUTION

Sharp edges of mower blades can cut you during blade maintenance or adjustment. Use suitable covering over cutting edges of blade to prevent bodily harm.

Place mower along right side of tractor. Position height control lever in lowest position (Fig.2).

Turn front wheels of tractor fully left. Raise tractor attachment lift. Slide mower under tractor until mower center leveler bar is directly under right side of tractor frame.

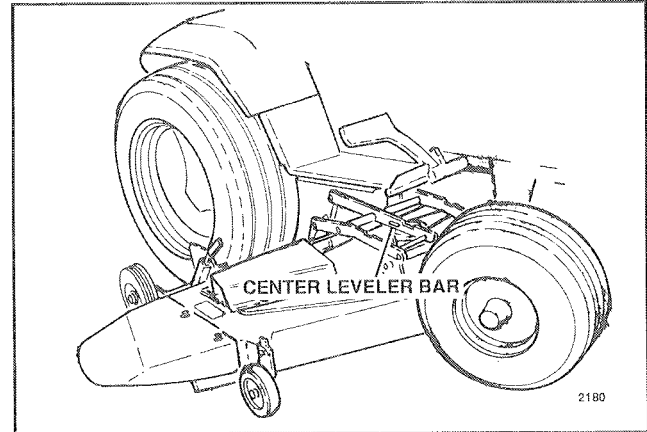


FIG. 2. Position Mower to Right of Tractor

ATTACH MOWER TO TRACTOR

Lower tractor attachment lift. Remove washer and hairpin cotter on tractor lift pin (Fig. 3). Install leveler bar on tractor lift pin and secure with removed washer and hairpin cotter.

Center mower under tractor so that front rod aligns with tractor hitch. (Fig. 4).

Open mid Attach-A-Matic hitch by pushing release button and pushing down on handle.

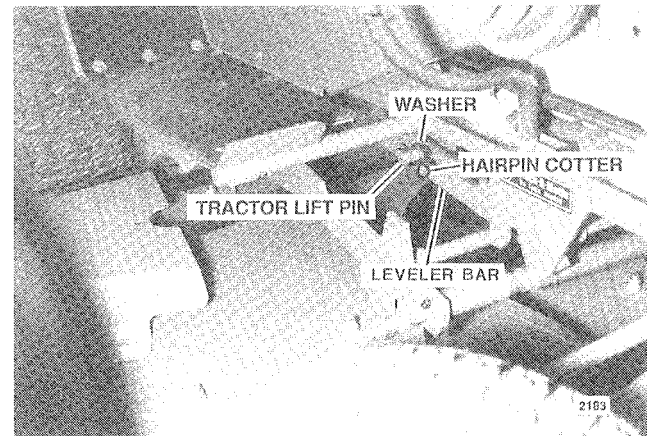


FIG. 3. Install Leveler Bar on Tractor Pin

Lift mower with tractor attachment lift. **NOTE:** If applicable, when using a manual attachment lift, be sure lift handle "locks" in raised position.

Close Attach-A-Matic hitch by pulling up on handle (Fig. 5).

INSTALL FRONT PULLEY SUPPORT

Open front Attach-A-Matic hitch by pushing release button and pulling forward on latch handle (Fig. 6).

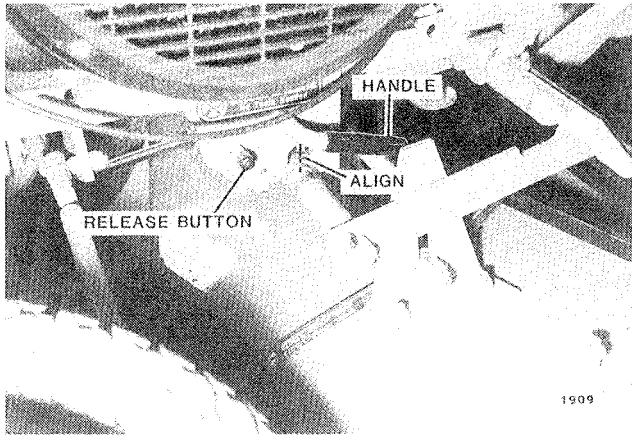


FIG. 4. Open the Mid Attach-A-Matic Hitch

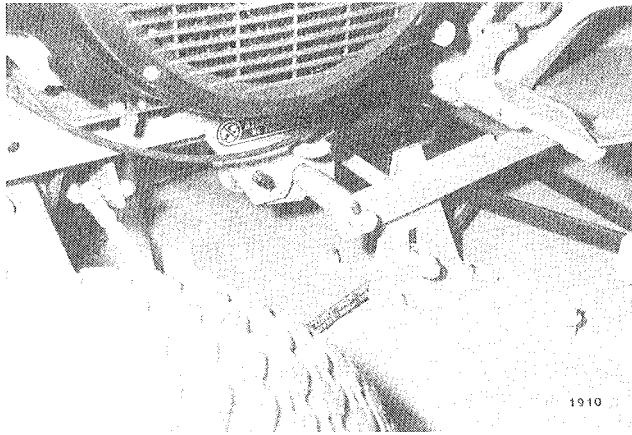


FIG. 5. Secure Center Hitch

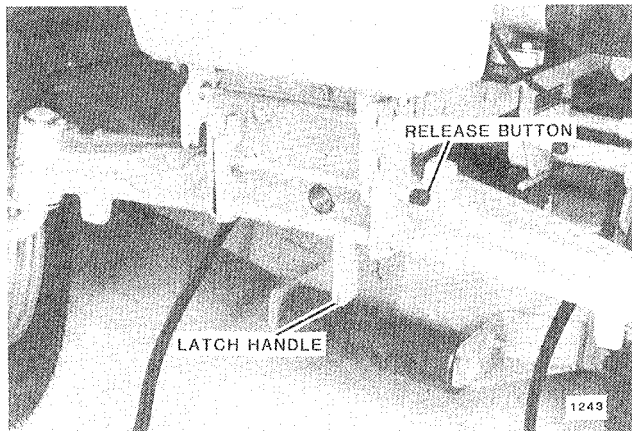


FIG. 6. Open Front Attach-A-Matic Hitch

Insert shaft of pulley support assembly into hitch slots and push latch handle rearward to lock latch (Fig. 7).

INSTALL DRIVE BELT AND COVER

Turn belt tension adjustment knob all the way clockwise (Fig. 8).

Position belt strands around idler pulleys, with inside strand in "V" pulley and outside strand making a back bend around

flat idler (Fig. 8). Place drive belt on inside groove of PTO pulley as outlined in Tractor Operator's Manual.

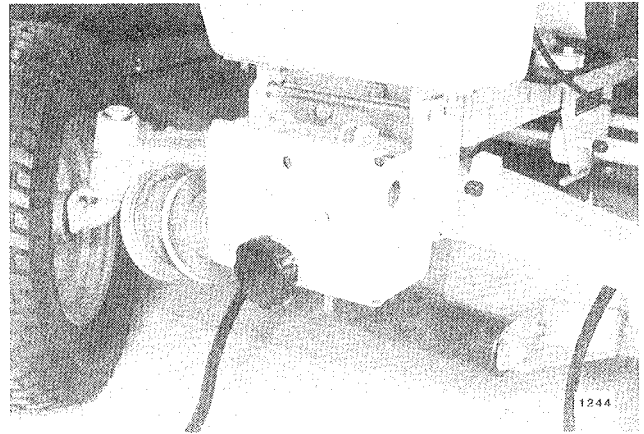


FIG. 7. Install Pulley Support

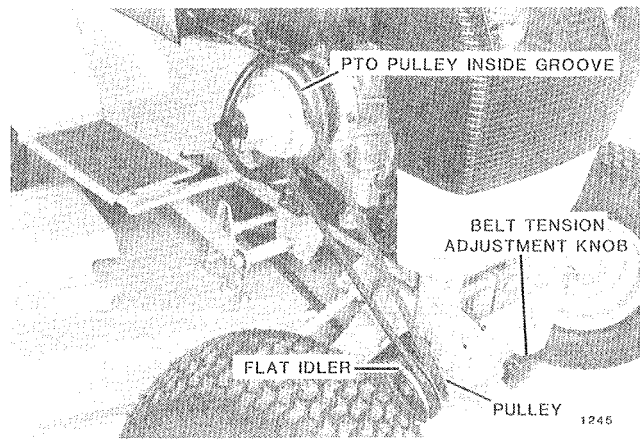


FIG. 8. Drive Belt Routing

Adjust drive belt tension by turning adjusting knob counter-clockwise until top strand of drive belt can be depressed approximately 1 inch (2.5 cm) under moderate finger pressure at a mid-point between pulleys (Fig. 8).

Install cover with bolt and nut (Fig. 9).

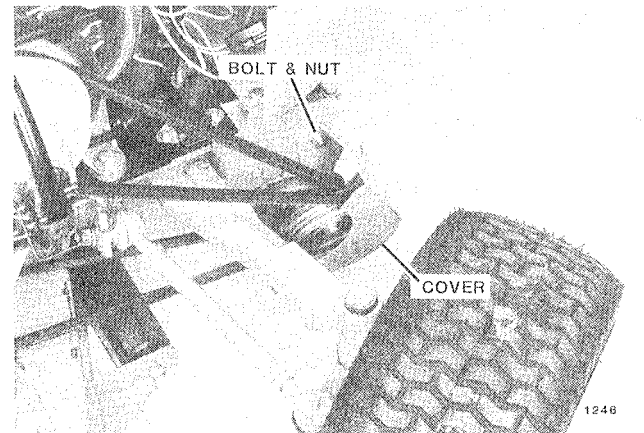


FIG. 9. Install Pulley Support Cover

CHECKING MOWER LEVEL

For optimum efficiency, level of mower should be checked at time of initial installation and periodically as a check to see if level adjustment is maintained.

MOWER LEVEL

Position tractor on a level surface. Adjust all four tires to 12 lbs. pressure. Place mower height control lever in middle cutting position (Fig. 10).

Turn mower blades front-to-back. Adjust distance from surface to blade tips equal to 1/8 inch front high (Figs. 10 and 11).

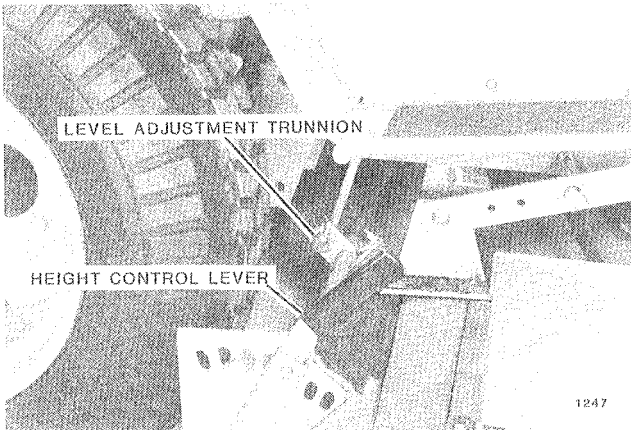


FIG. 10. Level Adjustment

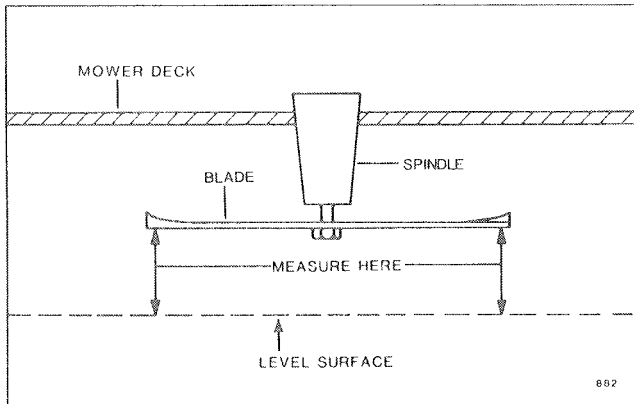


FIG. 11. Mower Level Measurement

Under some unusual mowing conditions, mower may leave a "streak" of uncut grass, which can be caused by any of the following conditions:

1. Engine being operated at less than full throttle.
2. Dull blades or underside of mower deck clogged with matted grass.
3. Ground speed too high for conditions - adjust to 2 mph (3.2 km/h), or less if necessary.
4. Striking only on turns indicates turns are being made too sharply.
5. If blades have been sharpened a number of times, they may now be too short to "overlap" each other, and must be replaced.

If streaking persists after above possibilities have been eliminated as cause, adjust mower until deck is level, then turn adjustment nut "in" one complete turn, to shorten level adjustment rod and slightly raise front of mower.

TRACTOR LIFT BAR - TRUNNION AND LIFT ROD ADJUSTMENT

This adjustment involves parts located on tractor (Fig. 12). Trunnion on lift chain should be in rear hole of tractor lift lever.

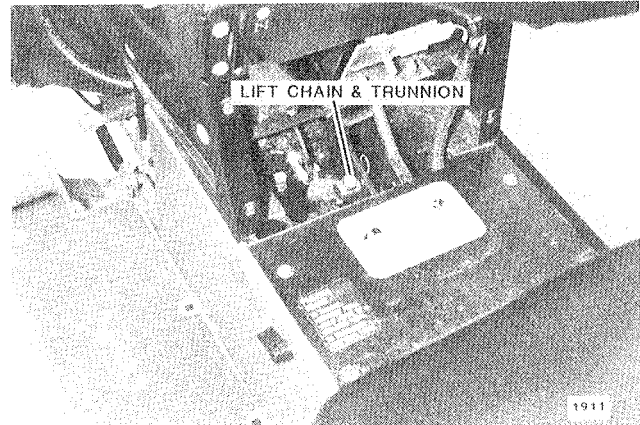


FIG. 12. Tractor Lift Bar Trunnion and Lift Rod Adjustment

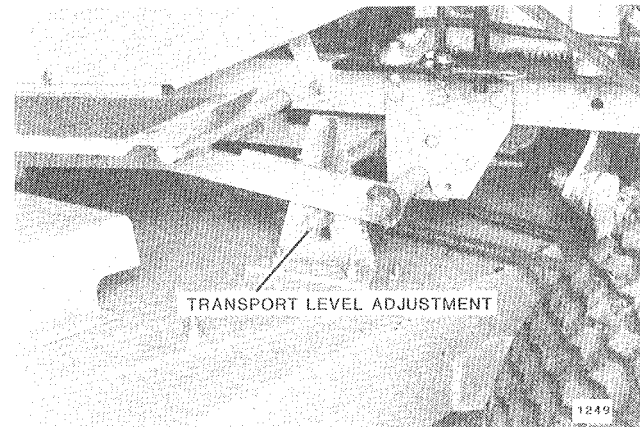


FIG. 13. Transport Level Adjustment

TRANSPORT LEVEL STOP ADJUSTMENT

For normal operation mower level stops should be adjusted so that carriage bolt heads are set at bottom of bracket slots. If mower is not level in fully raised position, level stops may be adjusted by moving them in bracket slots as required. (Fig. 13).

ADJUSTABLE ANTI-SCALP FRONT ROLLERS

With tractor on a flat surface and height-of-cut in desired setting, gauge wheels are to be positioned so they are approximately 1/4" to 3/8" above ground.

IMPORTANT

It is important that Anti-Scalp Rollers be adjusted each time height-of-cut is changed, so that deck will follow contour of ground and does not scalp turf.

1. Remove hairpin cotter and clevis pin securing gauge wheel to cutting deck (Fig. 14).
2. Move anti-scalp rollers up or down to required setting and reinstall clevis pin and cotter pin.
3. Reposition anti-scalp rollers each time height-of-cut setting is changed.

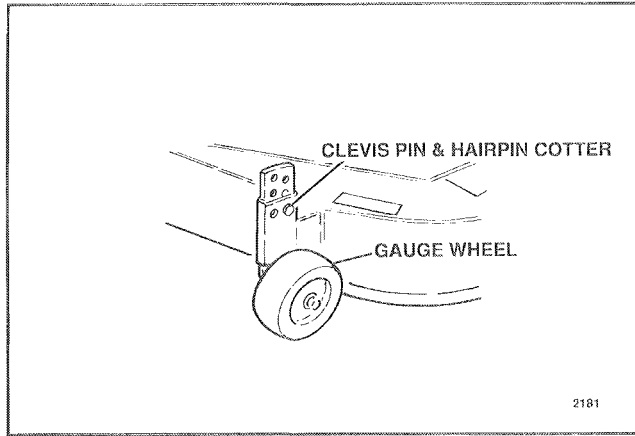


FIG. 14 Anti-Scalp Roller Adjustment

REMOVAL

Raise tractor lift and set mower gage wheels in lowest cutting position. Turn front wheels all the way left.

Turn drive belt tension adjustment knob clockwise all the way.

Remove drive belt from PTO clutch pulley as outlined in Tractor Operator's Manual. Remove pulley support assembly by pushing front hitch lock release button in and opening latch. Drive belt need not be removed from pulley support assembly.

Push mid-hitch lock release button in and open latch. Lower tractor lift and release mower hitch shaft.

Slide mower right until lift bar pin comes out of slot in leveler bar.

Raise tractor lift and slide mower out from under right side of tractor.

OPERATION & HEIGHT-OF-CUT SETTING

⚠ DANGER ⚠

Keep shields and mower discharge chute in place. Never attempt to clear discharge areas or mower blades, or make any adjustments or repairs, without first disengaging PTO clutch/brake and removing ignition key.

IMPORTANT

Every time mower is installed, check for proper operation of PTO clutch and brake. Adjustment of PTO is covered in tractor Operator's Manual. First time mower is used, or after installing a new mower drive belt, recheck belt tension after first 20 minutes of operation (allow belt to cool before checking tension).

1. Disengage tractor PTO clutch and start engine. Lift mower with tractor lift to remove weight of mower from gage wheels. **NOTE:** Never stand or rest your feet on mower.

2. Move mower height control lever to hole on quadrant corresponding to desired cutting height. This can be set for cutting heights between 1-1/2 and 3 1/2 in. (4 - 8.9cm). Recommended cutting height is 2 to 3 inches (5-7.6 cm) for most mowing situations.

3. Lower mower and set engine speed at full throttle. Engage PTO clutch. Regulate ground speed with transmis-

sion to 2 - 3.5 mph (3.2 - 5.6 kph)* for best cutting results on average lawns. Uneven cutting often results from excessive ground speed. To correct, reduce ground speed with transmission while maintaining full throttle setting.

4. To mow extra tall grass, raise mower to its highest position for a first cutting and use a slow ground speed. Then re-cut to normal height.

*Average walking speed is 2.5 mph (4 kph).

MAINTENANCE AND STORAGE

LUBRICATION

Mower spindle bearings should be lubricated at 50 operating hour intervals. Use a pressure type grease gun and #2 multi-purpose lithium grease to lubricate spindle bearings. Four to six pumps of a hand type grease gun will usually fill each spindle after 50 hours use. Grease fittings are conveniently located on side of spindle housings (Fig. 15). Lubricate mower gage wheels every 25 hours.

Lubricate pivoting arms and levers at 25 hour intervals with light machine oil applied directly to wear surfaces. Anti-scalp rollers should NOT be lubricated.

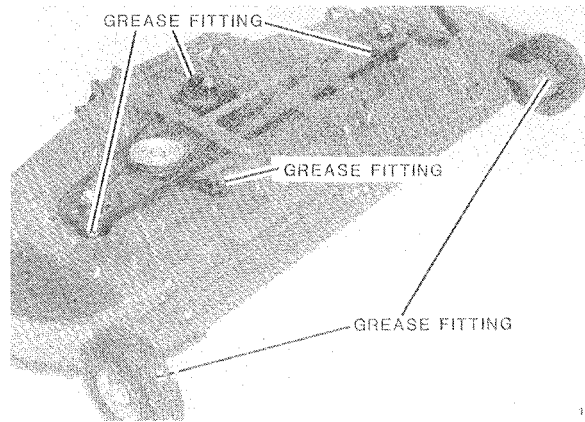


FIG. 15 Mower Grease Fittings (Belt Covers Removed)

BLADE MAINTENANCE

⚠ CAUTION ⚠

Sharp edges of mower blades can cut you during blade maintenance or adjustment. Use suitable covering over cutting edges of blade to prevent bodily harm.

To obtain optimum mowing results, mower blades should be kept sharp and well balanced. To sharpen blades, remove mower from tractor, invert mower and remove blades. A piece of 2 x 4 lumber may be placed between side of mower deck and blade to "lock" it in position or use wrench between blade and spindle when loosening attaching hardware.

File or grind blades evenly. Take care to retain angle of original cutting edge. Blade balance can be checked on an inexpensive blade balancer, available at most hardware stores.

Reinstall blades with lift area (turned up section) facing mower deck. Tighten blade attaching nuts to a torque of 102-170 ft. lbs. (143-238 Nm).

UNDERSIDE CLEANING

It is of vital importance to clean underside of mower deck frequently. Accumulation of matted clippings seriously impairs mower's ability to "lift" grass blades into cutting position and discharge clippings evenly. Matted grass clogging underside of mower is often times a cause of uneven cutting.

REPLACEMENT BELTS

Be sure to purchase genuine Toro Wheel Horse belts for replacement purposes as these belts are designed specifically for each application.

MOWER DRIVE BELT REPLACEMENT

Remove belt cover from front hitch (Fig. 9). Turn belt adjustment knob all the way clockwise and remove belt from PTO as outlined in tractor's owner's manual (Fig. 8). Remove left hand belt cover (Fig. 16) and remove spindle belt from idler pulley, LH spindle pulley and center spindle pulley (Fig. 17). Remove drive belt from center spindle pulley.

Reverse procedure to install new drive belt. Position drive belt and spindle belt as shown in Figure 18.

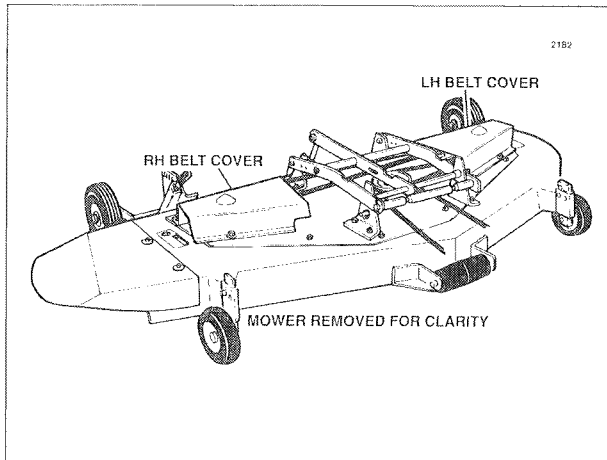


FIG. 16 LH and RH Belt Covers

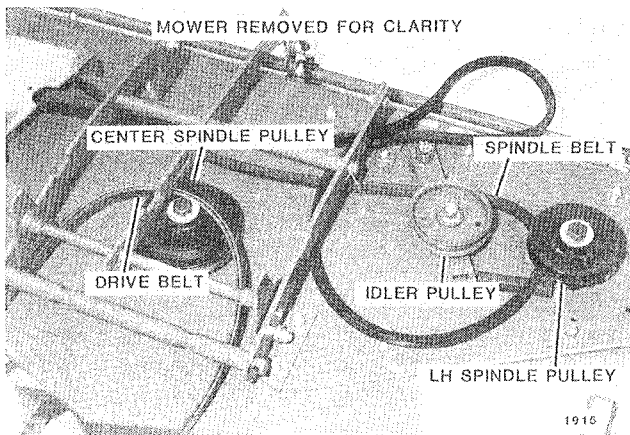


FIG. 17 Drive Belt Removal

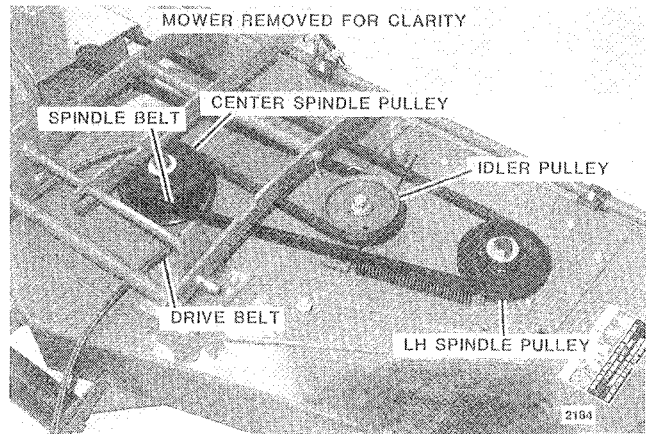


FIG. 18. Drive Belt Installation

SPINDLE BELT REPLACEMENT

Remove two side belt covers (Fig. 16) and note routing of belt (Fig. 18). Remove Belt. Check to be sure all pulleys work freely and install a new belt. Replace both belt covers.

GENERAL CARE AND STORAGE

Top of mower deck should be washed with a garden hose after each use. A mild automotive detergent may be used to remove stubborn dirt. After washing, allow mower to dry, then start tractor and engage mower for approximately 1 minute to remove excess water from belts and pulleys.

Touch up painted surfaces with a fresh coat of "Toro Wheel Horse", paint available from your authorized Toro Wheel Horse dealer in aerosol cans.

Store mower in a clean dry place or protect it with a weather-proof cover when stored outdoors.



Consumer Products

THE TORO TOTAL COVERAGE GUARANTEE

A Full Two-Year Warranty (Limited Warranty for Commercial Use)

What Is Covered By This Express Warranty?

The Toro Company promises to repair any TORO Product used for residential purposes if defective in materials or workmanship for a period of two years from the date of purchase. The cost of parts and labor are included, but the customer pays the transportation costs.

Transportation within a 15 mile radius of the servicing dealer is covered under this warranty for two-stage snowthrowers, walk behind debris equipment and all TORO Wheel Horse riding products. Walk power mowers, single stage snowthrowers, and other products not specifically covered, are excluded from the transportation coverage provided by this warranty.

What Products Are Covered By This Warranty?

This warranty applies to all gasoline powered Consumer Products (including TORO Wheel Horse riding products). Wide area walk behind mowers, ProLine 118, and 21" Commercial mowers without blade stop controls are covered by separate warranty statements.

How About Commercial Use?

TORO Consumer Products used for commercial, institutional or rental use are covered by a limited warranty for the following time periods from the date of purchase:

Products	Warranty Period
<ul style="list-style-type: none"> • 300 through 700 Series Tractors (except 612-Z) and 1600 HMR <ul style="list-style-type: none"> Chassis 1 year limited warranty Engine 2 year limited warranty • 21" Commercial Duty Walk Mower with blade stop controls . . 1 year limited warranty • 200 Series Tractors, Rear Engine Riders, 612-Z, 1200 HMR 3.0 and 3.5 HP Edgers Straight Shaft Trimmers, and Backpack Blowers . . . 90 day limited warranty • All Others 45 day limited warranty 	

How Do You Get Warranty Service?

Should you feel your TORO product contains a defect in material or workmanship, contact the dealer who sold you the product or any Authorized TORO Service Dealer or TORO Master Service Dealer. The Yellow Pages of your telephone directory is a good reference source. The dealer will either arrange service at his/her dealership or recommend another Authorized Service Dealer who may be more convenient. You may need proof of purchase (copy of registration card, sales receipt, etc.) for warranty validation.

If for any reason you are dissatisfied with the Service Dealer's analysis of the defect in materials or workmanship or if you need a referral to a TORO Service Dealer, please feel free to contact us at the following address:

Toro Customer Service Department
8111 Lyndale Avenue South
Minneapolis, MN 55420
612-888-8801

What Must You Do To Keep The Warranty In Effect?

You must maintain your TORO Product by following the maintenance procedures described in the operator's manual. Such routine maintenance, whether performed by a dealer or by you, is at your expense.

What Does This Warranty Not Cover? and

How Does Your State Law Relate To This Warranty?

There is no other express warranty except the TORO Starting Guarantee on GTS Engines. This express warranty does not cover:

- Cost of regular maintenance service or parts, such as filters, fuel, lubricants, tune-up parts, blade sharpening, brake and clutch adjustments.
- Any product or part which has been altered or misused or required replacement or repair due to normal wear, accidents, or lack of proper maintenance.
- Repairs necessary due to improper fuel, contaminants in the fuel system, or failure to properly prepare the fuel system prior to any period of non-use over three months.
- Pickup and delivery charges for distances beyond a 15 mile radius from an Authorized TORO Service Dealer (covered products only).

All repairs covered by this warranty must be performed by an Authorized TORO Service Dealer using Toro approved replacement parts.

Repair by an Authorized TORO Service Dealer is your sole remedy under this warranty.

The Toro Company is not liable for indirect, incidental or consequential damages in connection with the use of the TORO Products covered by this warranty, including any cost or expense of providing substitute equipment or service during reasonable periods of malfunction or non-use pending completion of repairs under this warranty. Some states do not allow exclusions of incidental or consequential damages, so the above exclusion may not apply to you.

This warranty gives you specific legal rights, and you may also have other rights which vary from state to state.