



Count on it.

Parts Catalog

TimeCutter® 5000

Riding Mower

Model No. 75750—Serial No. 40000000 and Up



Ordering Replacement Parts

To order replacement parts, please supply the part number, the quantity, and the description of each part desired.

Understanding Reference Numbers

Each identified part in an illustration has a reference number. The reference number for a part also appears in the parts list, along with other information about the part.

This catalog uses two special reference number formats, one to indicate parts in a service assembly and another to indicate the quantity of a given part in an illustration.

Service Assembly Reference Numbers

Parts in service assemblies have reference numbers in the form a:b. The a represents the reference number of the entire service assembly and the b represents a sequential number unique to each part within the service assembly.

For example, a wheel assembly might be identified by reference number 6, the tire by 6:1, the valve by 6:2, and the wheel by 6:3. When you order the assembly identified by reference number 6, you receive all parts identified by reference numbers 6:1, 6:2, and 6:3. However, you may also order any part individually. Reference numbers of this type appear in illustration and in parts lists.

Reference Numbers Indicating Quantity

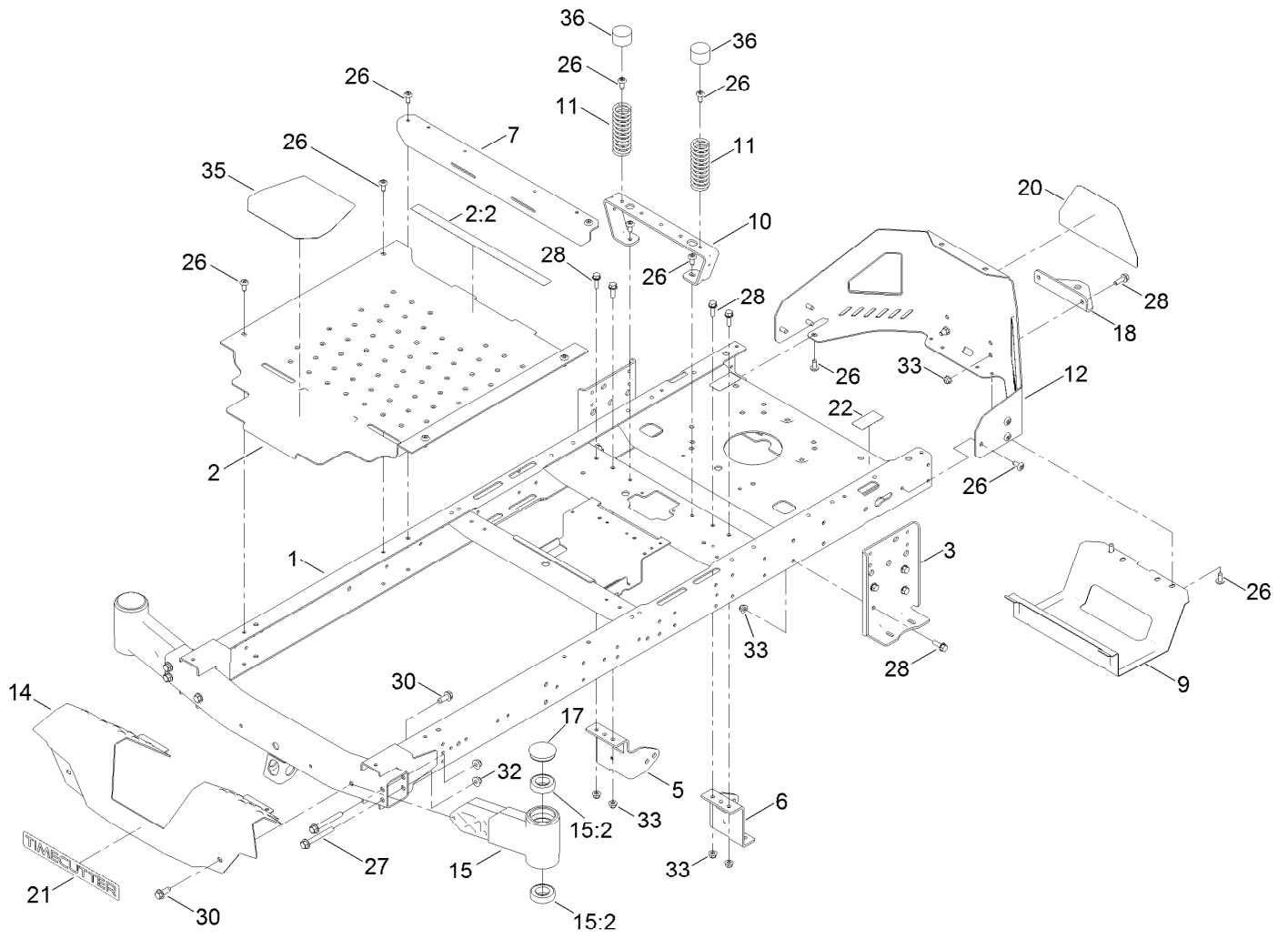
In an illustration, if a reference number indicates more than one part, the reference number has the form nX y. The n represents the quantity of the part, the X is the multiplication symbol, and the y represents the reference number.

For example, in an illustration, the reference number 2X 37 means that two of the parts identified by reference number 37 are indicated.

Contents

Frame Assembly	4
Deck Lift Assembly	6
Tire and Caster Assembly	8
Traction Drive Assembly	10
LH Hydro Transmission Assembly No. 139-7450	12
RH Hydro Transmission Assembly No. 139-7451	14
Brake Assembly	16
Rear Tire Assembly	18
Seat Pan Assembly	20
Seat Assembly No. 140-5043	22
Motion Control Assembly	24
Engine and Muffler Assembly	26
Body Styling and Fuel Tank Assembly	28
Electrical Assembly	30
50 Inch Deck Assembly	32
Model Specific Decal Assembly	34
Clutch Assembly	36
Attachments and Accessories	38

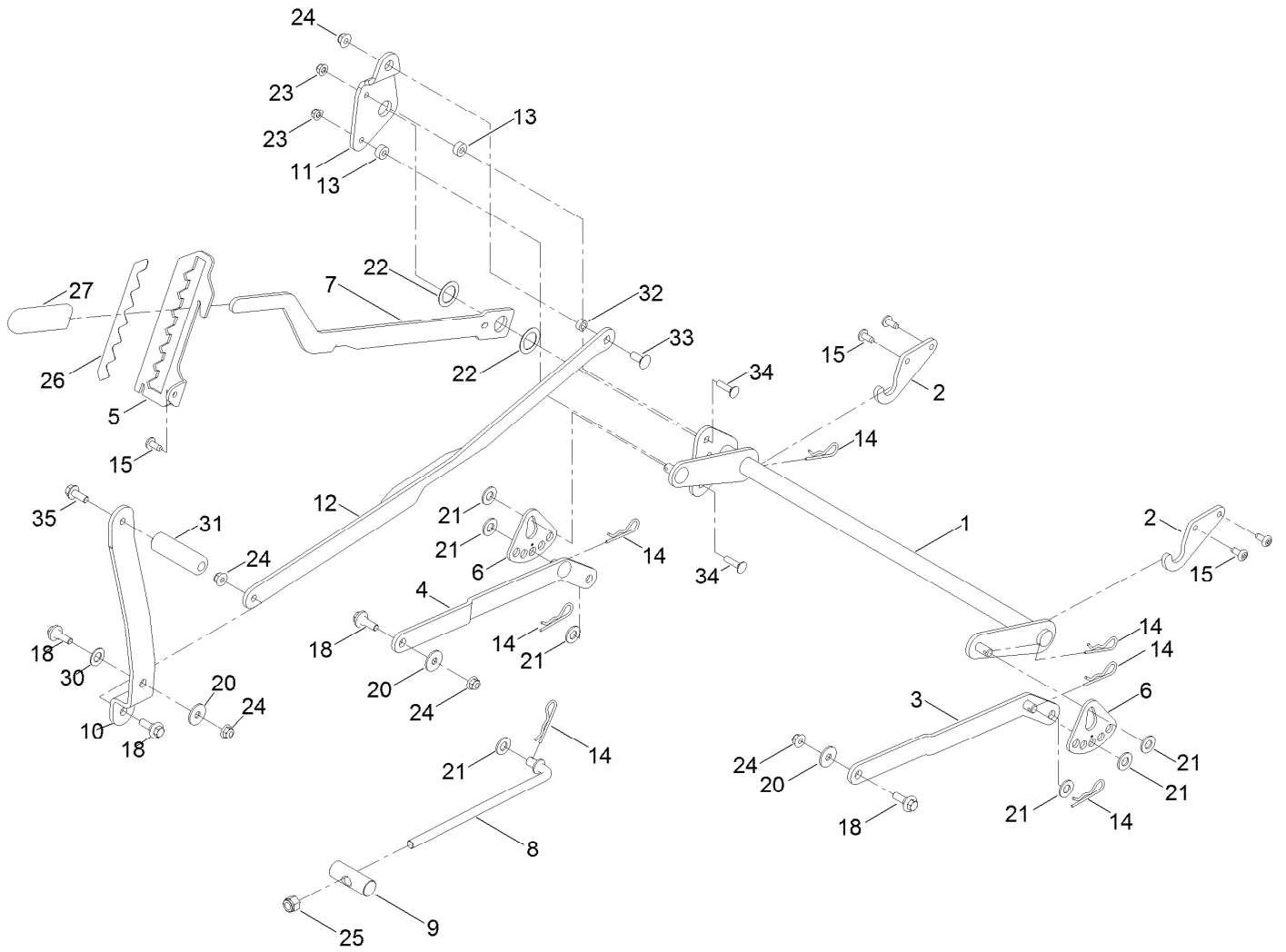
Frame Assembly



Frame Assembly (continued)

<i>Ref.</i>	<i>Part Number</i>	<i>Qty.</i>	<i>Description</i>	<i>Ref.</i>	<i>Part Number</i>	<i>Qty.</i>	<i>Description</i>
1	137-9820-01	1	Frame Assembly	17	138-7200	2	Cap-Grease
2	140-5045	1	Pan-Floor ASM	18	117-1232-03	1	Bracket-Hitch
2:2	135-3295	1	Decal-Warning	20	139-5890	1	Decal-Timecutter
3	138-7520-01	2	Plate-Mount, Hydro	21	139-2387	1	Decal-Timecutter
5	137-7020-01	1	Mount-Hydro, Front (Right)	22	121-2989	2	Decal-Bypass
6	139-3211-01	1	Mount-Hydro, Front (Left)	26	138-9753	20	Screw
7	138-9791-01	1	Brace-Cross	27	139-2429	4	Screw-HHF
9	138-0867-03	1	Guard-Muffler	28	3234-29	14	Screw-HHF
10	138-6036-03	1	Support-Seat	30	139-2428	4	Screw-HWH
11	138-2548	2	Spring-Compression	32	139-2430	4	Nut-HF, NI
12	138-9820-03	1	Guard-Engine	33	104-8300	14	Nut-HF, NI
14	138-9827-01	1	Footrest	35	139-3220	1	Tread-Step
15	140-2097	2	Axle Stub ASM	36	701178	2	Cap-Protector
15:2	109-3678	2	Bearing-Ball				

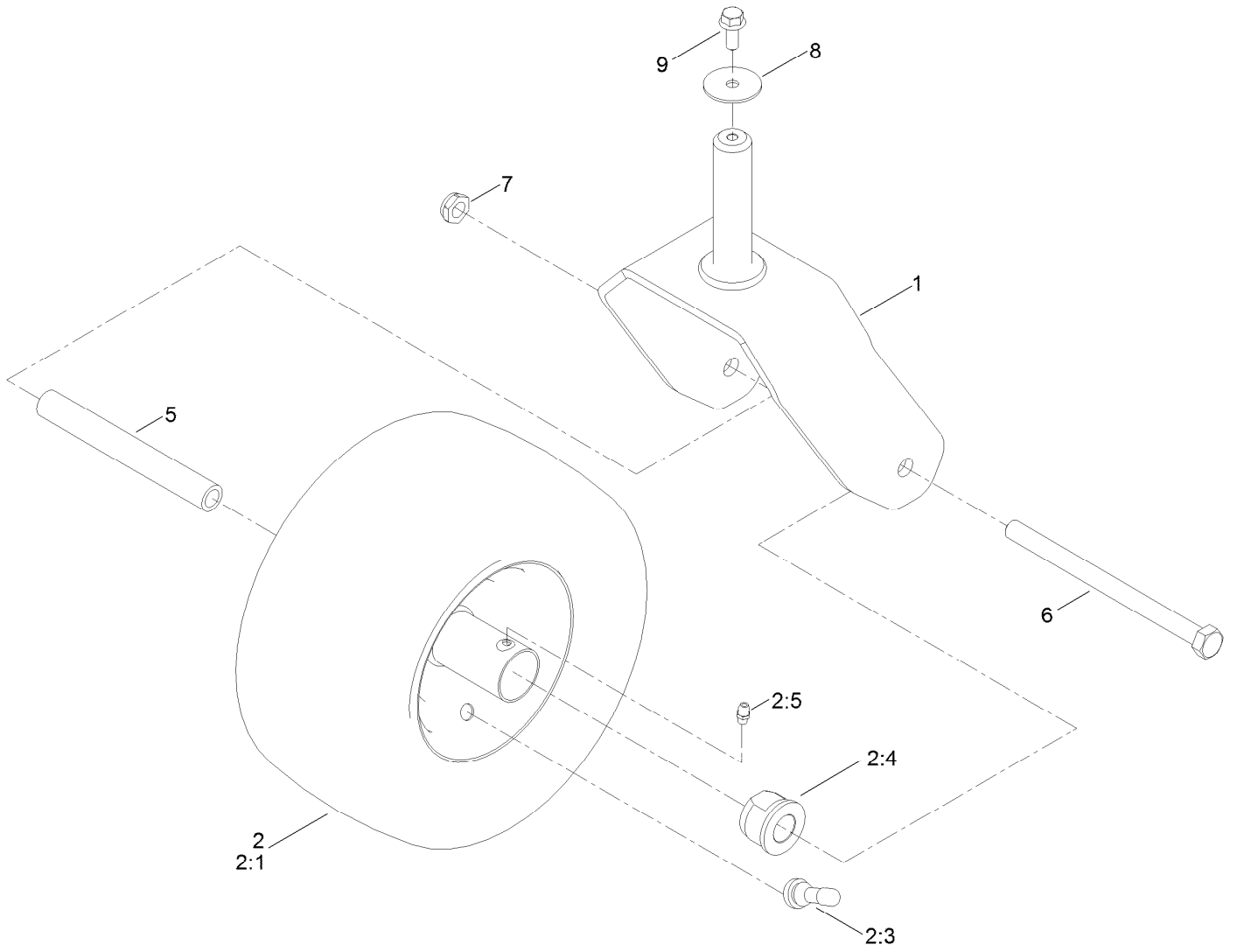
Deck Lift Assembly



Deck Lift Assembly (continued)

<i>Ref.</i>	<i>Part Number</i>	<i>Qty.</i>	<i>Description</i>	<i>Ref.</i>	<i>Part Number</i>	<i>Qty.</i>	<i>Description</i>
1	137-7093-03	1	Deck Lift ASM	18	137-9847	4	Screw-Shoulder
2	138-6021	2	Bracket-Pivot, Decklift	20	93-8806	3	Washer-Hardened
3	137-9844	1	LH Arm ASM	21	3256-26	7	Washer-Flat
4	137-9846	1	RH Arm ASM	22	63-2290	2	Washer-Thrust
5	139-2350-01	1	Bracket-HOC	23	104-8300	2	Nut-HF, NI
6	138-2564	2	Plate-Adjustment, HOC	24	104-8301	5	Nut-HF, NI
7	137-7087-03	1	Lever-Lift	25	3296-19	1	Nut-Hex
8	138-6050	1	Rod-Mount, Deck	26	139-2392	1	Decal-HOC
9	119-8810	1	Pin-Pivot	27	1-633268	1	Grip-Lever
10	138-2549-03	1	Pedal-Lift	30	120-2273	1	Washer-Nylon
11	137-7086	1	Plate-Footlift	31	139-7452	1	Pedal-Foot Lift
12	140-2746-03	1	Link ASM	32	140-2093	1	Spacer
13	140-3461	2	Spacer	33	139-2590	1	Screw-CARR
14	1-806005	7	Pin-Cotter	34	3230-3	2	Screw-CARR
15	138-9753	5	Screw	35	139-2597	1	Screw-HHF

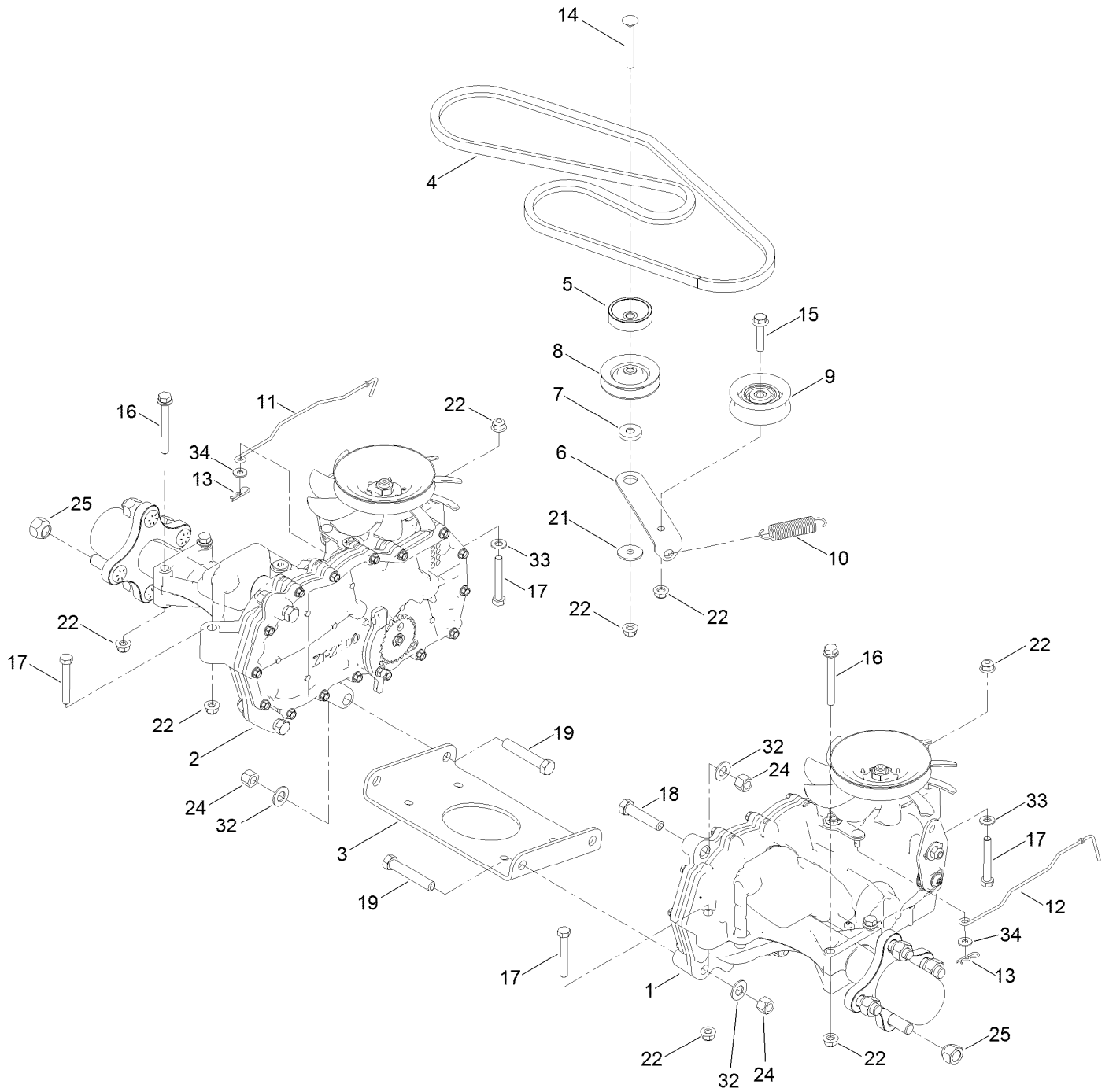
Tire and Caster Assembly



Tire and Caster Assembly (continued)

<i>Ref.</i>	<i>Part Number</i>	<i>Qty.</i>	<i>Description</i>	<i>Ref.</i>	<i>Part Number</i>	<i>Qty.</i>	<i>Description</i>
1	138-9839-01	2	Fork ASM	5	138-9803	2	Spacer-Spanner
2	139-5843	2	Tire ASM	6	325-37	2	Screw-HH
2:1	138-7553	1	Tire	7	3296-45	2	Nut-Hex
2:3	232-27	1	Stem-Valve	8	3256-68	2	Washer-Flat
2:4	114-1640	2	Bushing-Flange	9	3234-47	2	Screw-HHF
2:5	302-5	1	Fitting-Grease				

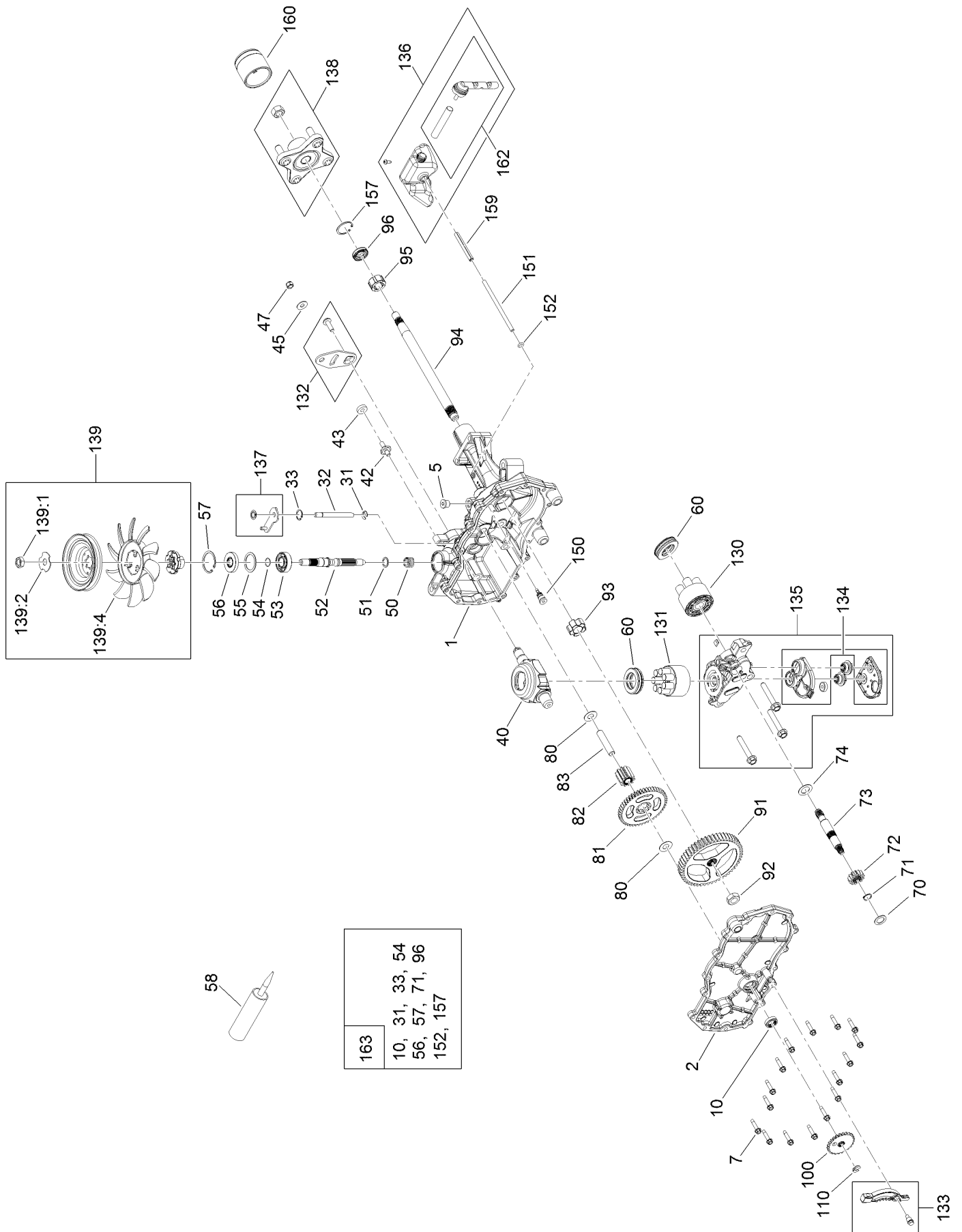
Traction Drive Assembly



Traction Drive Assembly (continued)

<i>Ref.</i>	<i>Part Number</i>	<i>Qty.</i>	<i>Description</i>	<i>Ref.</i>	<i>Part Number</i>	<i>Qty.</i>	<i>Description</i>
1	139-7450	1	LH Hydro Transaxle ASM	14	3230-8	1	Screw-CARR
2	139-7451	1	RH Hydro Transaxle ASM	15	115-1794	1	Screw-HHF
3	138-2571-03	1	Crossplate-Hydro	16	138-7590	4	Screw-HHF
4	139-2399	1	V-Belt	17	322-11	4	Screw-HH
5	138-9809	1	Spacer	18	324-8	2	Screw-HH
6	138-7276	1	Arm-Idler	19	324-10	4	Screw-HH
7	138-7277	1	Spacer-Arm, Idler	21	5-4460	1	Washer-Pivot
8	68-0030	1	Idler	22	104-8300	10	Nut-HF, NI
9	138-7597	1	Pulley-Idler, Flat	24	3296-48	6	Nut-Hex
10	137-7040	1	Spring-Return, Pedal	25	242-50	8	Nut-Lug
11	138-7245	1	Rod-Bypass, RH	32	3256-25	6	Washer-Flat
12	138-7243	1	Rod-Bypass, LH	33	3256-23	2	Washer-Plain
13	3290-307	2	Pin-Cotter	34	119-8952	2	Washer

LH Hydro Transmission Assembly No. 139-7450

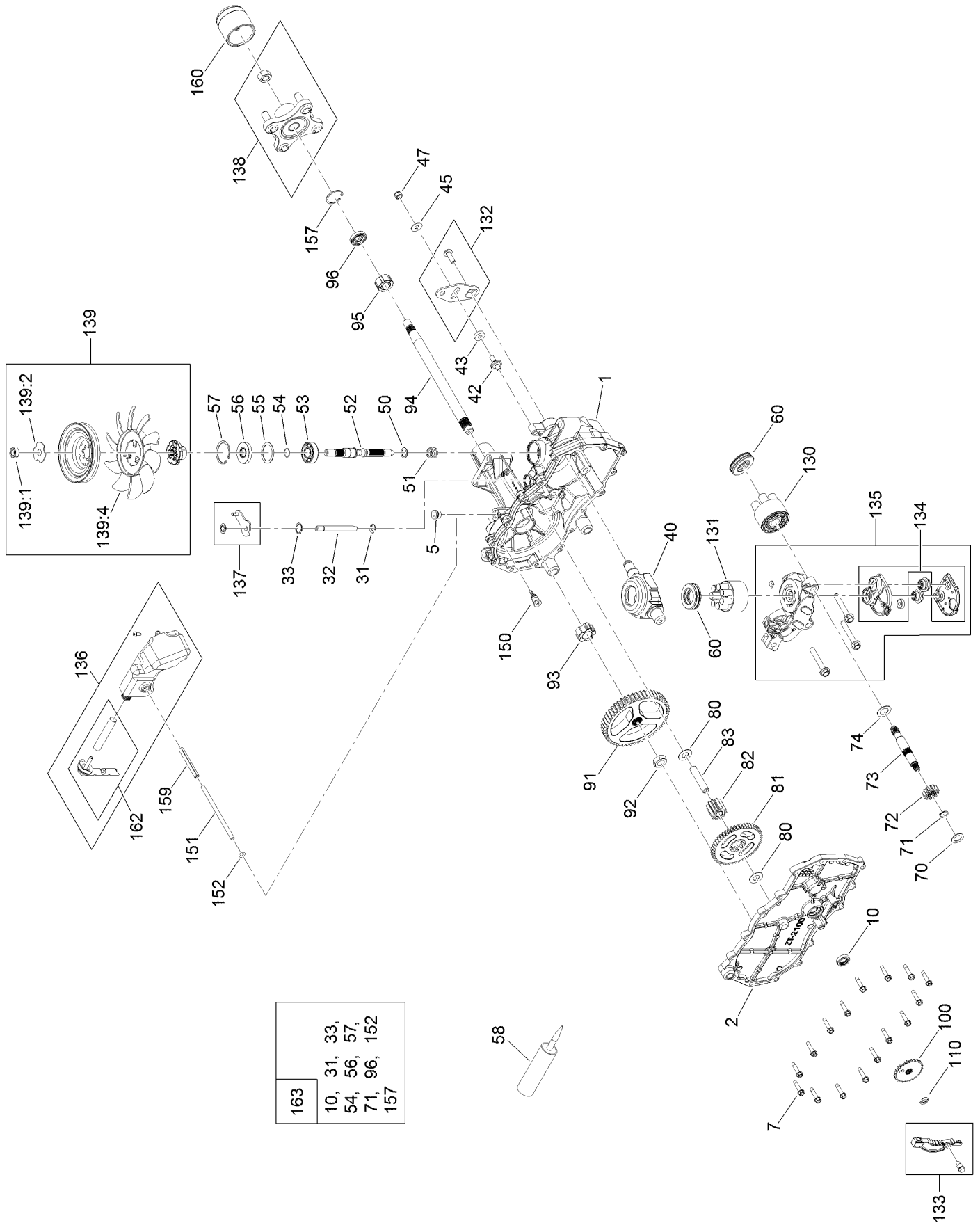


LH Hydro Transmission Assembly No. 139-7450 (continued)

<i>Ref.</i>	<i>Part Number</i>	<i>Qty.</i>	<i>Description</i>	<i>Ref.</i>	<i>Part Number</i>	<i>Qty.</i>	<i>Description</i>
1	120-5532	1	Main Housing ASM	83	104-5329	1	Pin-Jackshaft
2	120-5534	1	Housing Side Kit	91	120-5539	1	Gear-Bull
5	104-2189	1	Plug-Thread, Straight	92	104-2142	1	Nut-HJ
7	117-5359	16	Screw-HHF	93	115-8314	1	Bushing-Inboard
10		1	Seal-Lip ●	94	120-5540	1	Shaft-Axle
31	106-8677	1	Ring-Retaining, External	95	120-5541	1	Bearing-Sleeve
32	106-8678	1	Rod-Bypass	96	120-5542	1	Seal-Lip
33	106-8679	1	Ring-Retaining, Internal	100	106-8694	1	Disc-Brake, Cog
40	104-5304	1	Swashplate-Trunnion	110	106-8677	1	Ring-Retaining, External
42	104-2116	1	Stud	130	103-2666	1	Cylinder Block Kit
43	112-9853	1	Puck-Friction	131	110-8561	1	Pump Block ASM
45	114-8491	1	Washer	132	117-5362	1	Control Arm Kit
47	105-1872	1	Nut	133	106-8688	1	Brake Arm Kit
50	133-1793	1	Spring-Block	134	112-9861	1	Center Section Filter Kit
51	120-5538	1	Washer	135	114-1634	1	Filter Kit
52	104-5306	1	Shaft-Input	136	121-5730	1	RH Expansion Tank Kit
53	104-5311	1	Bearing-Ball	137	120-5549	1	Bypass Kit
54	104-5307	1	Ring-Retaining	138	121-5731	1	Hub Kit
55	104-5308	1	Spacer	139	135-7349	1	Fan And Pulley Kit
56	104-5310	1	Seal-Lip	139:1	116-9714	1	Nut-HJ
57	104-5309	1	Ring-Retaining	139:2	116-9708	1	Washer-Slotted
58	104-2147	1	Sealant	139:4	135-7364	1	Fan 7.0 X 10 Blade
60	94-6922	2	Bearing-Thrust	150	104-5349	1	Fitting-SAE
70	104-5339	1	Washer-Flat	151	115-8302	1	Hose
71	104-5340	1	Ring-Retaining	152	104-5361	1	O-Ring
72	104-5316	1	Gear-Pinnion, 13T	157	120-7102	1	Ring-Retaining
73	106-8683	1	Shaft-Motor	159	121-5728	1	Case-Tube
74	104-5360	1	Washer	160	125-0041	1	Cap-Axle
80	119-5541	1	Washer	162	139-3278	1	Breather ASM Kit
81	104-5317	1	Gear-10T/48T	163	120-7103	1	Seal And Ring Kit
82	104-5318	1	Gear-Jackshaft, 10T				

● Not serviced separately

RH Hydro Transmission Assembly No. 139-7451



RH Hydro Transmission Assembly No. 139-7451 (continued)

<i>Ref.</i>	<i>Part Number</i>	<i>Qty.</i>	<i>Description</i>	<i>Ref.</i>	<i>Part Number</i>	<i>Qty.</i>	<i>Description</i>
1	120-5531	1	Main Housing ASM	83	104-5329	1	Pin-Jackshaft
2	120-5533	1	Housing Side Kit	91	120-5539	1	Gear-Bull
5	104-2189	1	Plug-Thread, Straight	92	104-2142	1	Nut-HJ
7	117-5359	16	Screw-HHF	93	115-8314	1	Bushing-Inboard
10		1	Seal-Lip ●	94	120-5540	1	Shaft-Axle
31	106-8677	2	Ring-Retaining, External	95	120-5541	1	Bearing-Sleeve
32	106-8678	1	Rod-Bypass	96	120-5542	1	Seal-Lip
33	106-8679	1	Ring-Retaining, Internal	100	106-8694	1	Disc-Brake, Cog
40	104-5304	1	Swashplate-Trunnion	110	106-8677	1	Ring-Retaining, External
42	104-2116	1	Stud	130	103-2666	1	Cylinder Block Kit
43	112-9853	1	Puck-Friction	131	110-8561	1	Pump Block ASM
45	114-8491	1	Washer	132	117-5362	1	Control Arm Kit
47	105-1872	1	Nut	133	106-8688	1	Brake Arm Kit
50	120-5538	1	Washer	134	112-9862	1	Center Section Filter Kit
51	133-1793	1	Spring-Block	135	114-1634	1	Filter Kit
52	104-5306	1	Shaft-Input	136	121-5735	1	LH Expansion Tank Kit
53	104-5311	1	Bearing-Ball	137	107-2489	1	Bypass Arm Kit
54	104-5307	1	Ring-Retaining	138	121-5731	1	Hub Kit
55	104-5308	1	Spacer	139	135-7349	1	Fan And Pulley Kit
56	104-5310	1	Seal-Lip	139:1	116-9714	1	Nut-HJ
57	104-5309	1	Ring-Retaining	139:2	116-9708	1	Washer-Slotted
58	104-2147	1	Sealant	139:4	135-7364	1	Fan 7.0 X 10 Blade
60	94-6922	2	Bearing-Thrust	150	104-5349	1	Fitting-SAE
70	104-5339	1	Washer-Flat	151	115-8302	1	Hose
71	104-5340	1	Ring-Retaining	152	104-5361	1	O-Ring
72	104-5316	1	Gear-Pinnion, 13T	157	120-7102	1	Ring-Retaining
73	106-8683	1	Shaft-Motor	159	121-5728	1	Case-Tube
74	104-5360	1	Washer	160	125-0041	1	Cap-Axle
80	119-5541	1	Washer	162	139-3278	1	Breather ASM Kit
81	104-5317	1	Gear-10T/48T	163	120-7103	1	Seal And Ring Kit
82	104-5318	1	Gear-Jackshaft, 10T				

● Not serviced separately

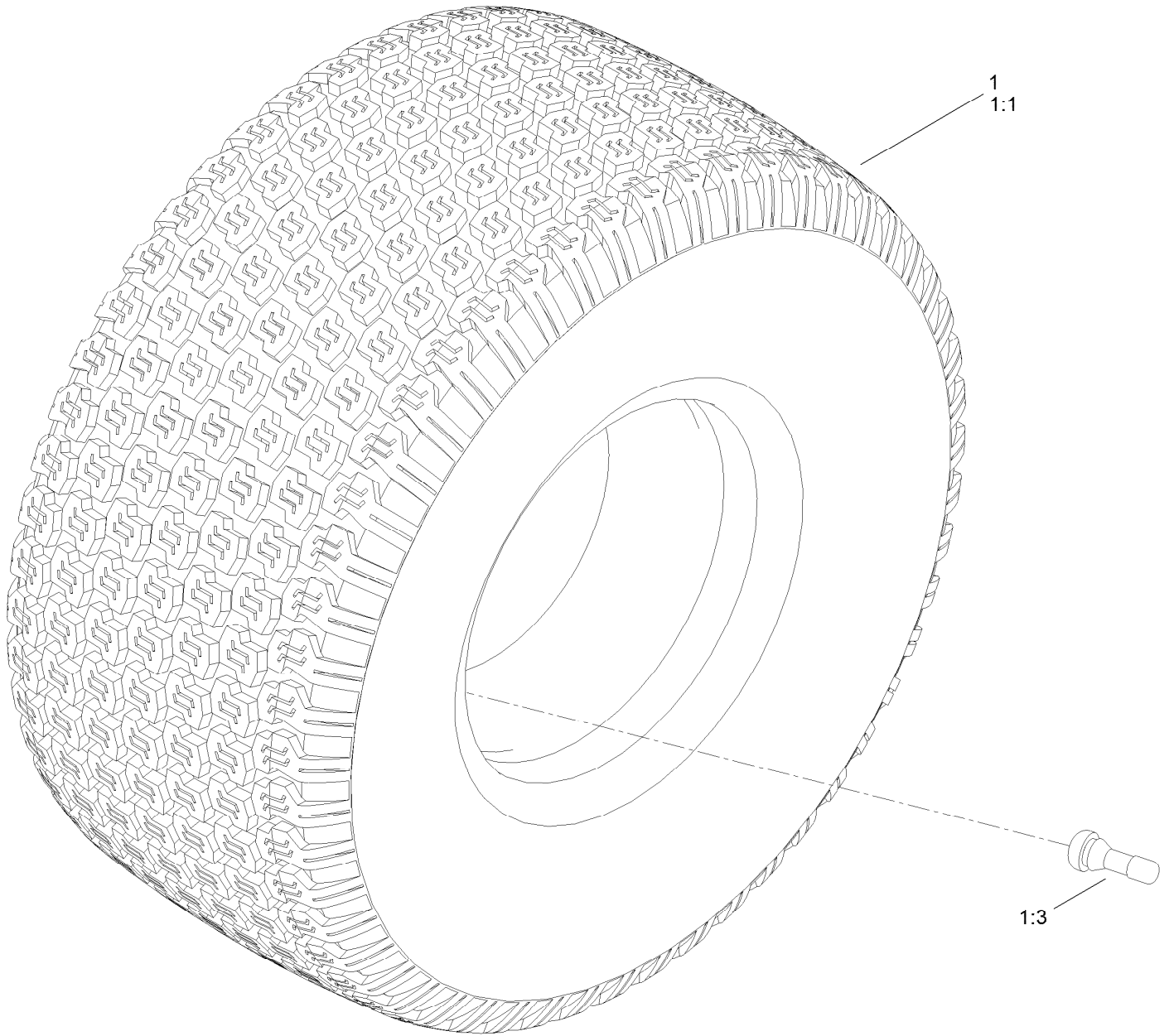
Brake Assembly



Brake Assembly (continued)

<i>Ref.</i>	<i>Part Number</i>	<i>Qty.</i>	<i>Description</i>	<i>Ref.</i>	<i>Part Number</i>	<i>Qty.</i>	<i>Description</i>
1	138-2514	1	Brake Box ASM	7	3290-307	2	Pin-Cotter
2	133-9284-03	1	Bracket-Mount, Brake	8	32144-36	4	Screw-PPH
3	138-2591	1	Rod-Brake, LH	9	32144-4	2	Screw-HWH
4	138-2592	1	Rod-Brake, RH	10	119-8952	6	Washer
5	117-1169	4	Spring-Compression	11	3296-42	2	Nut-Lock, NI

Rear Tire Assembly

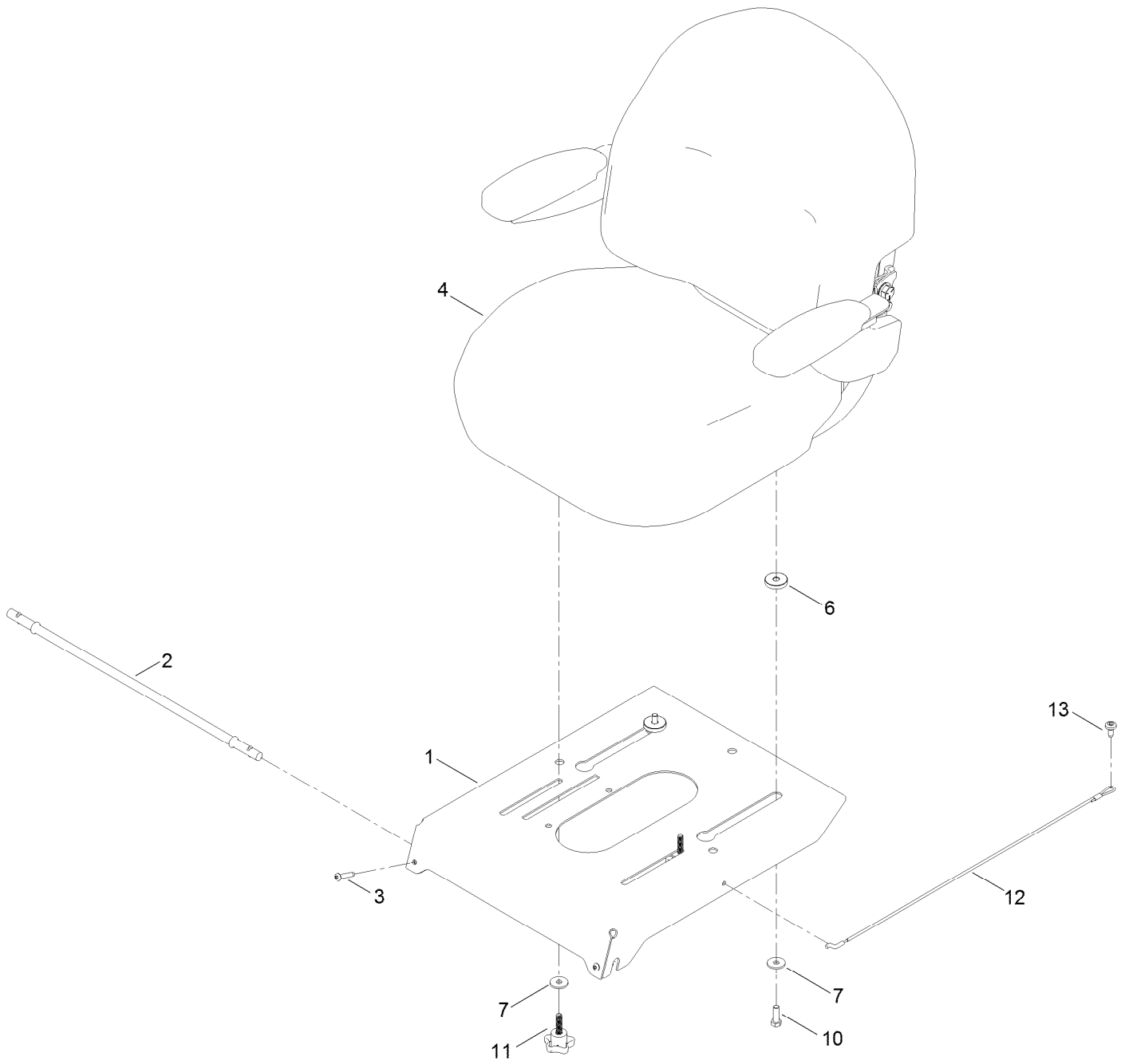


Rear Tire Assembly (continued)

<i>Ref.</i>	<i>Part Number</i>	<i>Qty.</i>	<i>Description</i>	<i>Ref.</i>	<i>Part Number</i>	<i>Qty.</i>	<i>Description</i>
1	139-5848	2	Tire ASM	1:3	232-27	1	Stem-Valve
1:1	140-2731	1	Tire	1:99	232-37	1	Tube ●

● Not illustrated

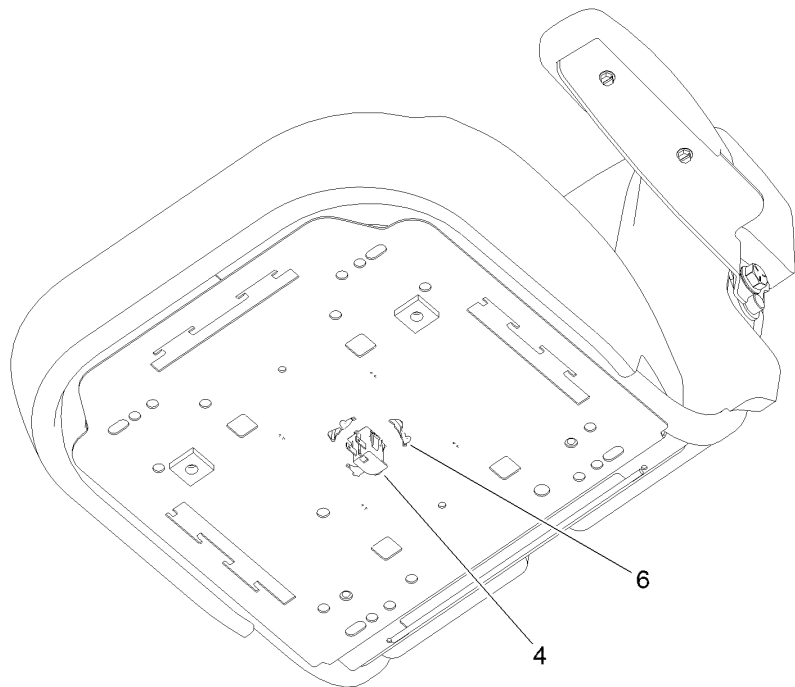
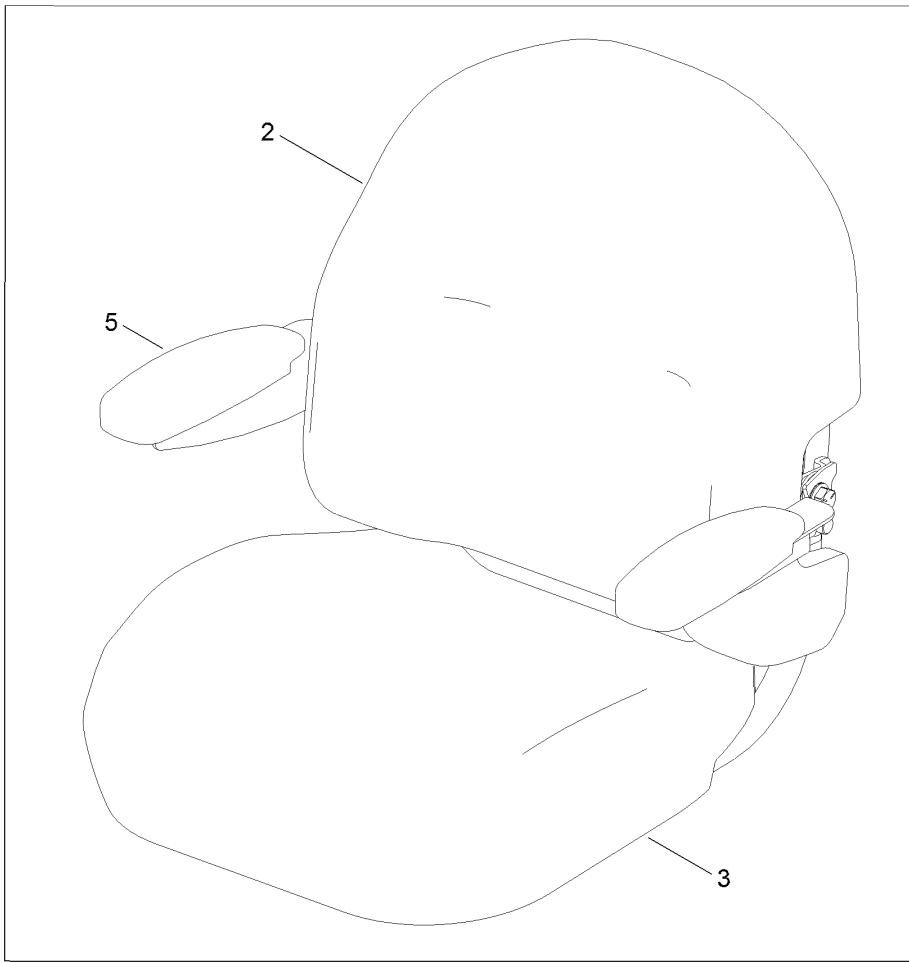
Seat Pan Assembly



Seat Pan Assembly (continued)

<i>Ref.</i>	<i>Part Number</i>	<i>Qty.</i>	<i>Description</i>	<i>Ref.</i>	<i>Part Number</i>	<i>Qty.</i>	<i>Description</i>
1	138-9775-03	1	Pan-Seat, Deluxe	7	1-603716	4	Washer-Friction
2	138-7555	1	Rod-Pivot	10	322-5	2	Screw-HH
3	108-0035	2	Screw	11	139-2401	2	Knob
4	140-5043	1	Seat ASM	12	139-2398	1	Cable-Lanyard
6	139-2377	2	Spacer-Stepped	13	120-7950	1	Screw

Seat Assembly No. 140-5043

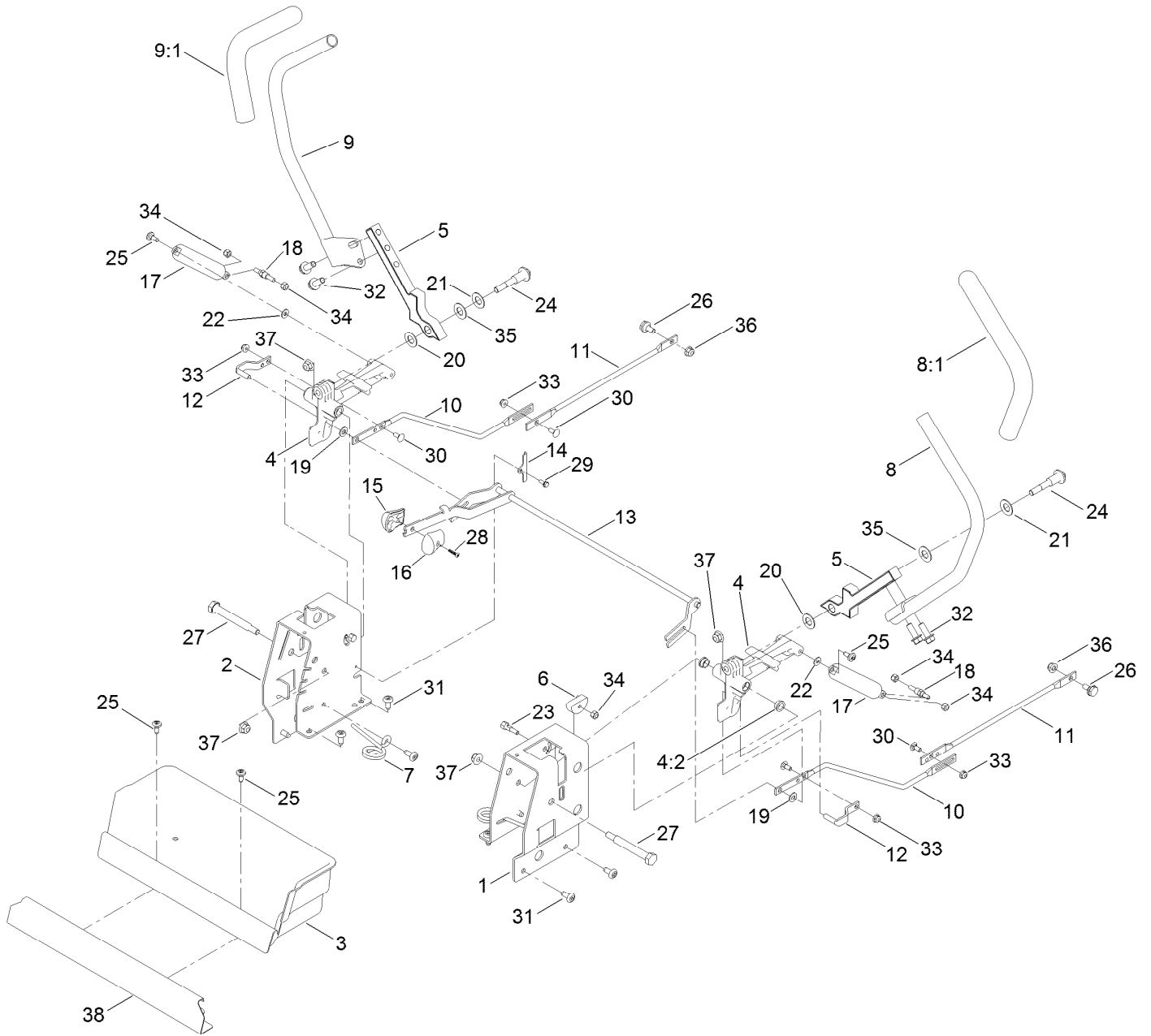


Seat Assembly No. 140-5043 (continued)

<i>Ref.</i>	<i>Part Number</i>	<i>Qty.</i>	<i>Description</i>
1	139-7546	1	Seat ASM
2	140-5041	1	Cover-Seat Back
3	140-5042	1	Cover-Seat Base

<i>Ref.</i>	<i>Part Number</i>	<i>Qty.</i>	<i>Description</i>
4	82-2190	1	Switch-Bail
5	139-5823	1	Arm Rest Kit
6	140-3468	1	Cap-Switch, Actuator

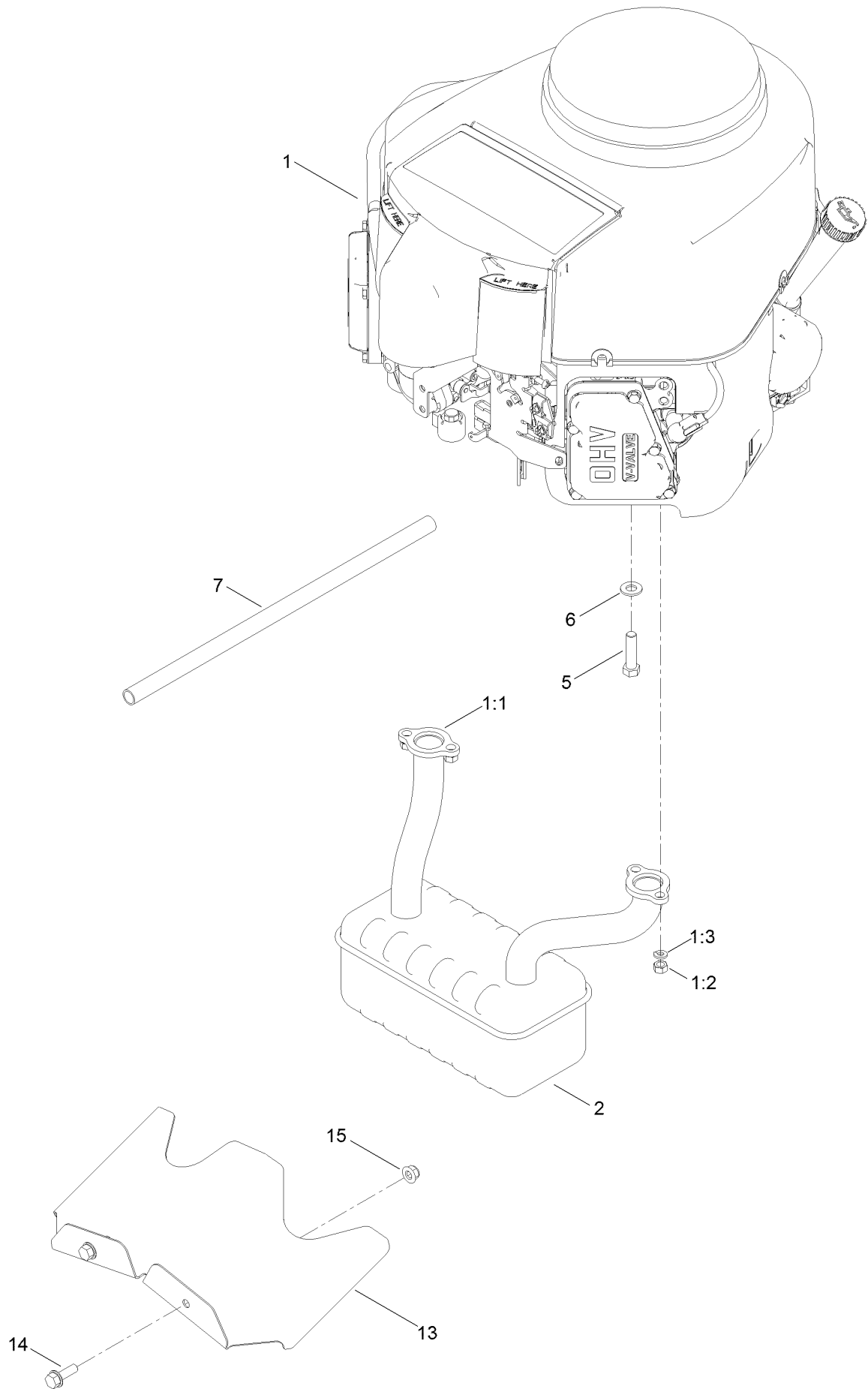
Motion Control Assembly



Motion Control Assembly (continued)

<i>Ref.</i>	<i>Part Number</i>	<i>Qty.</i>	<i>Description</i>	<i>Ref.</i>	<i>Part Number</i>	<i>Qty.</i>	<i>Description</i>
1	138-7598-03	1	Plate-Control Box, LH	19	93-6079	2	Spacer-Nylon
2	138-7599-03	1	Plate-Control Box, RH	20	120-2273	2	Washer-Nylon
3	139-3279	1	Box-Storage	21	119-8925	2	Washer-Belleville
4	119-3470	2	Actuator Arm ASM	22	119-8952	2	Washer
4:2	256-156	2	Bushing-Flange	23	139-5811	2	Bolt-Pivot, Eccentric
5	133-9299-05	2	Arm-Control	24	117-1198	2	Bolt-Pivot
6	139-5803	2	Eccentric	25	120-7950	4	Screw
7	138-7539	2	Spring-Torsion	26	37-8771	2	Bolt-Shoulder, HF
8	133-7055	1	Handle-Control, LH	27	115-5099	2	Bolt-Pivot
8:1	121-0726	1	Grip	28	94-4496	1	Screw-PPH
9	133-7057	1	Handle-Control, RH	29	32144-1	2	Screw-Taptite
9:1	121-0726	1	Grip	30	3229-11	4	Screw-CARR
10	138-2580	2	Rod-Hydro, Front	31	138-9753	10	Screw
11	138-2579	2	Rod-Hydro, Rear	32	3234-42	4	Screw-HHF
12	121-1753	2	Pin-Rod, Hydro	33	104-7201	4	Nut-HF
13	138-9750	1	Speed Control ASM	34	3296-42	6	Nut-Lock, NI
14	138-7541	2	Plate-Retainer	35	117-1240	2	Washer
15	132-9368	1	Knob-RH	36	104-8300	2	Nut-HF, NI
16	132-9369	1	Knob-LH	37	104-8301	4	Nut-HF, NI
17	132-6853	2	Damper-Non Cavitating	38	139-3280-01	1	Plate-Kick
18	138-7215	2	Stud-Damper				

Engine and Muffler Assembly



Engine and Muffler Assembly (continued)

<i>Ref.</i>	<i>Part Number</i>	<i>Qty.</i>	<i>Description</i>	<i>Ref.</i>	<i>Part Number</i>	<i>Qty.</i>	<i>Description</i>
1		1	Engine-Kawasaki, Fr691V- s07-R ●■	5	323-50	4	Bolt-HH
1:1	1-653313	2	Gasket-Exhaust	6	3256-24	3	Washer-Flat
1:2	114-3549	4	Nut	7	106-7022	1	Tube-Drain, Oil
1:3	114-3550	4	Washer-Lock	13	140-5057-03	1	Shield-Heat
2	139-5867	1	Muffler	14	3234-29	2	Screw-HHF
				15	104-8300	2	Nut-HF, NI

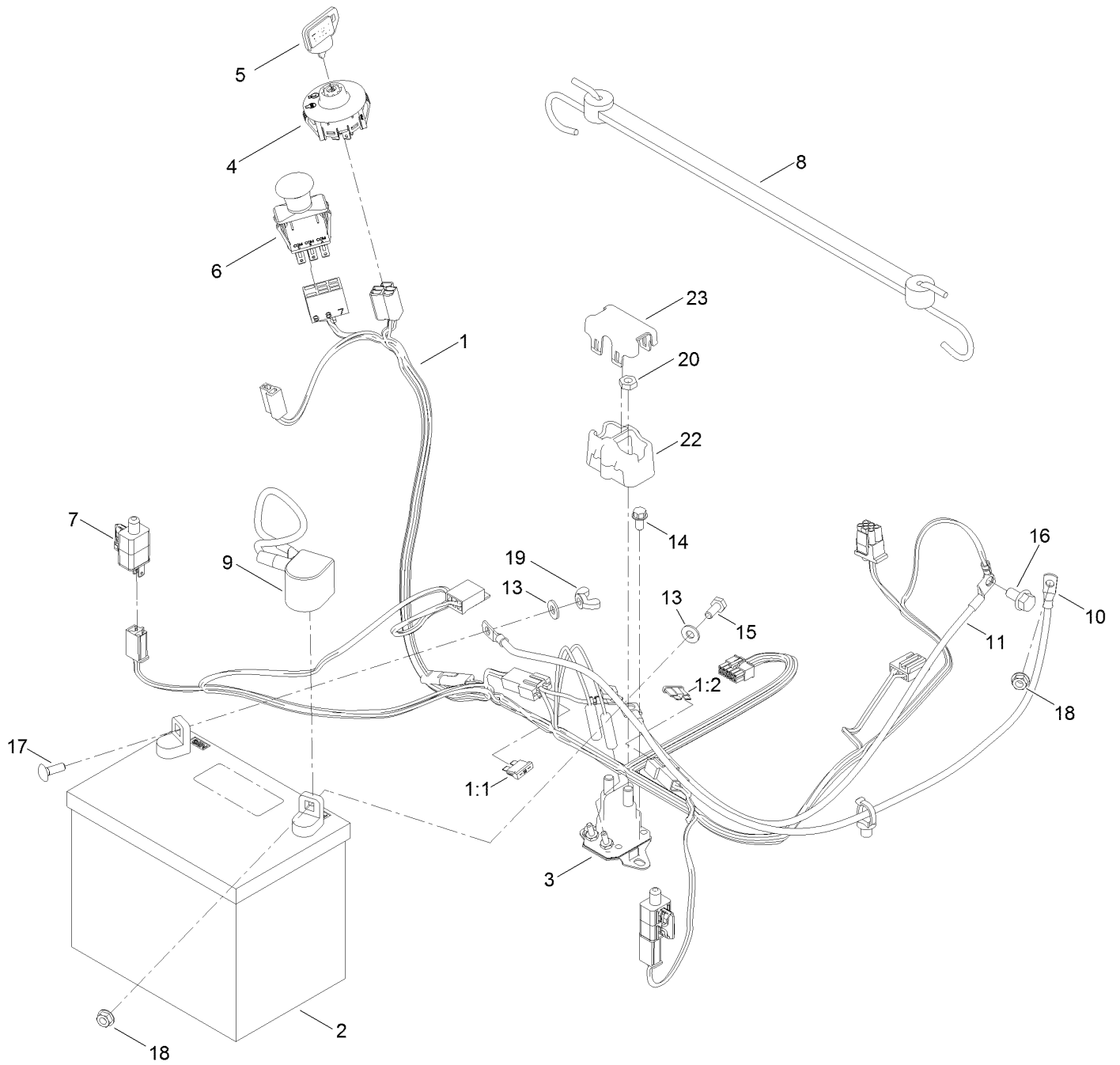
● Not serviced separately

■ Obtain parts from www.kawpowerepc.com

Body Styling and Fuel Tank Assembly (continued)

<i>Ref.</i>	<i>Part Number</i>	<i>Qty.</i>	<i>Description</i>	<i>Ref.</i>	<i>Part Number</i>	<i>Qty.</i>	<i>Description</i>
1	138-6070-03	1	Support-Pod, RH	13	139-2394	1	Decal-Control Lever, RH
2	138-6071-03	1	Support-Pod, LH	14	139-2403	1	Cable-Throttle
3	139-3271-03	1	Support-Tank, Fuel	15	139-2402	1	Cable-Choke
4	138-6074	1	Pod-LH	16	139-2388	1	Decal-Smart Speed
5	138-6075	1	Pod-RH	18	109-0299	1	Hose-Fuel
6	138-6072	1	Fuel Tank ASM	19	110-3447	1	Hose-Fuel
6:1	139-1091	1	Connector-Elbow, 90 DEG	20	110-3958	1	Hose-Fuel
6:2	117-7400	1	Fitting-Plastic	23	117-5399	1	Adaptor-Orifice
6:3	46-6560	2	Bushing	24	2412-98	3	Clamp-Hose
7	609830	2	Spring	25	614249	1	Tie-Cable
8	137-4119	1	Cap-Fuel, Ratcheting	26	3258-166	1	Screw-PRH
9	107069	1	Clip	27	120-7950	6	Screw
10	139-2380-05	1	Panel-Control	28	138-9753	6	Screw
11	139-2391	1	Decal-Panel, Control	31	120-7893	1	Bumper-Grommet
12	139-2395	1	Decal-Control Lever, LH				

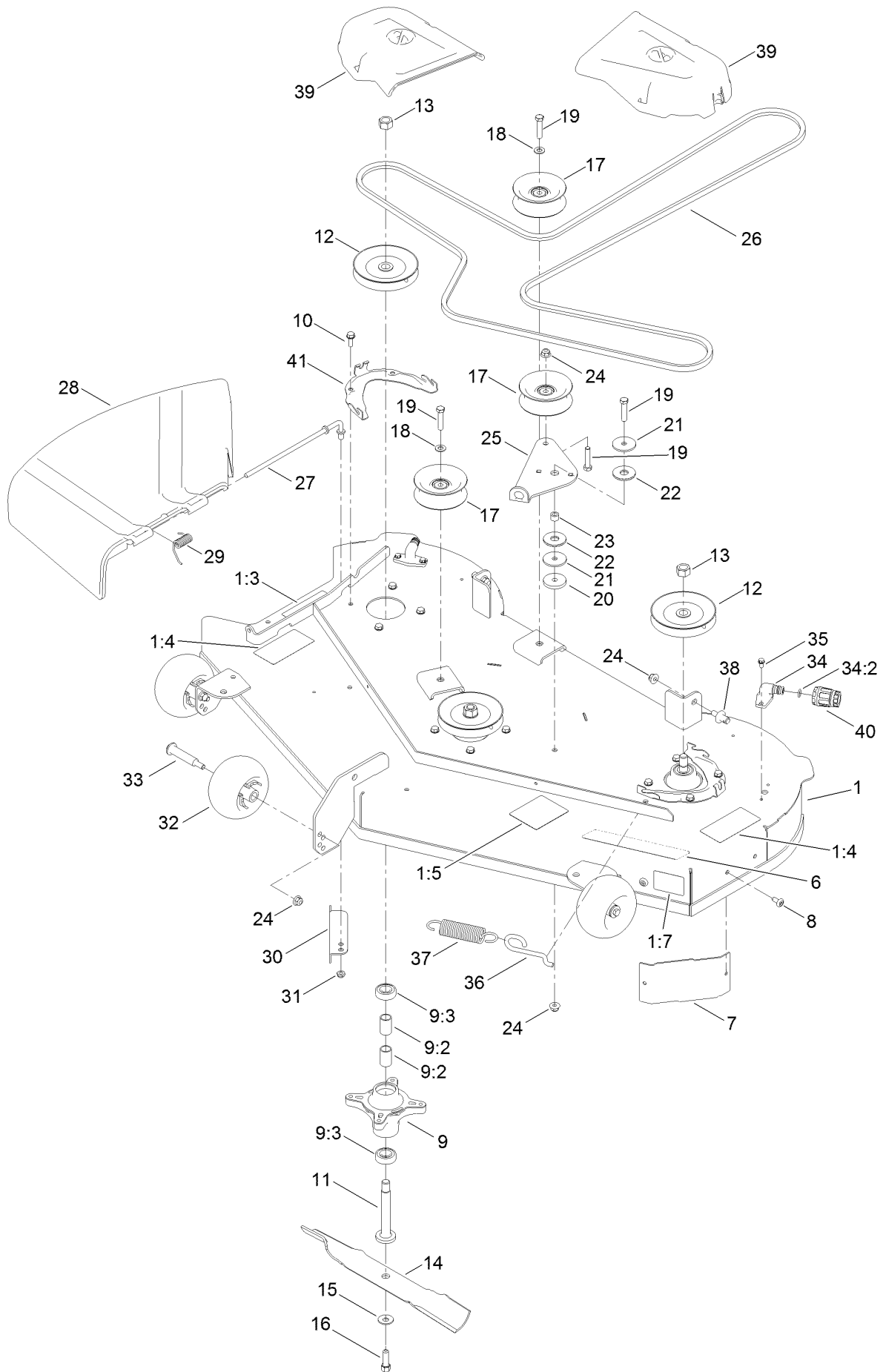
Electrical Assembly



Electrical Assembly (continued)

<i>Ref.</i>	<i>Part Number</i>	<i>Qty.</i>	<i>Description</i>	<i>Ref.</i>	<i>Part Number</i>	<i>Qty.</i>	<i>Description</i>
1	138-2521	1	Harness-Wire	11	110-6793	1	Cable-Battery, Black
1:1	109355	1	Fuse-Blade, 15 Amp	13	3256-22	2	Washer-Flat
1:2	109102	1	Fuse-Blade, 25 Amp	14	32144-4	2	Screw-HWH
2	105-1692	1	Battery	15	321-3	1	Screw-HH
3	117-1197	1	Solenoid	16	33104-016	1	Screw-HHF
4	137-4100	1	Switch-Ignition	17	3229-1	1	Bolt-CARR
5	63-8360	1	Key-Ignition	18	32128-33	2	Nut-HF
6	103-5221	1	Switch-PTO	19	32103-22	1	Nut-Wing
7	110-6765	2	Switch	20	3220-2	2	Nut-Jam
8	139-2381	1	Strap-Rubber	22	140-2080	1	Cover-Solenoid
9	140-2713	1	Cable-Battery, Pos	23	140-2081	1	Cap-Solenoid
10	139-2431	1	Cable-Battery, Red (8 Gauge)				

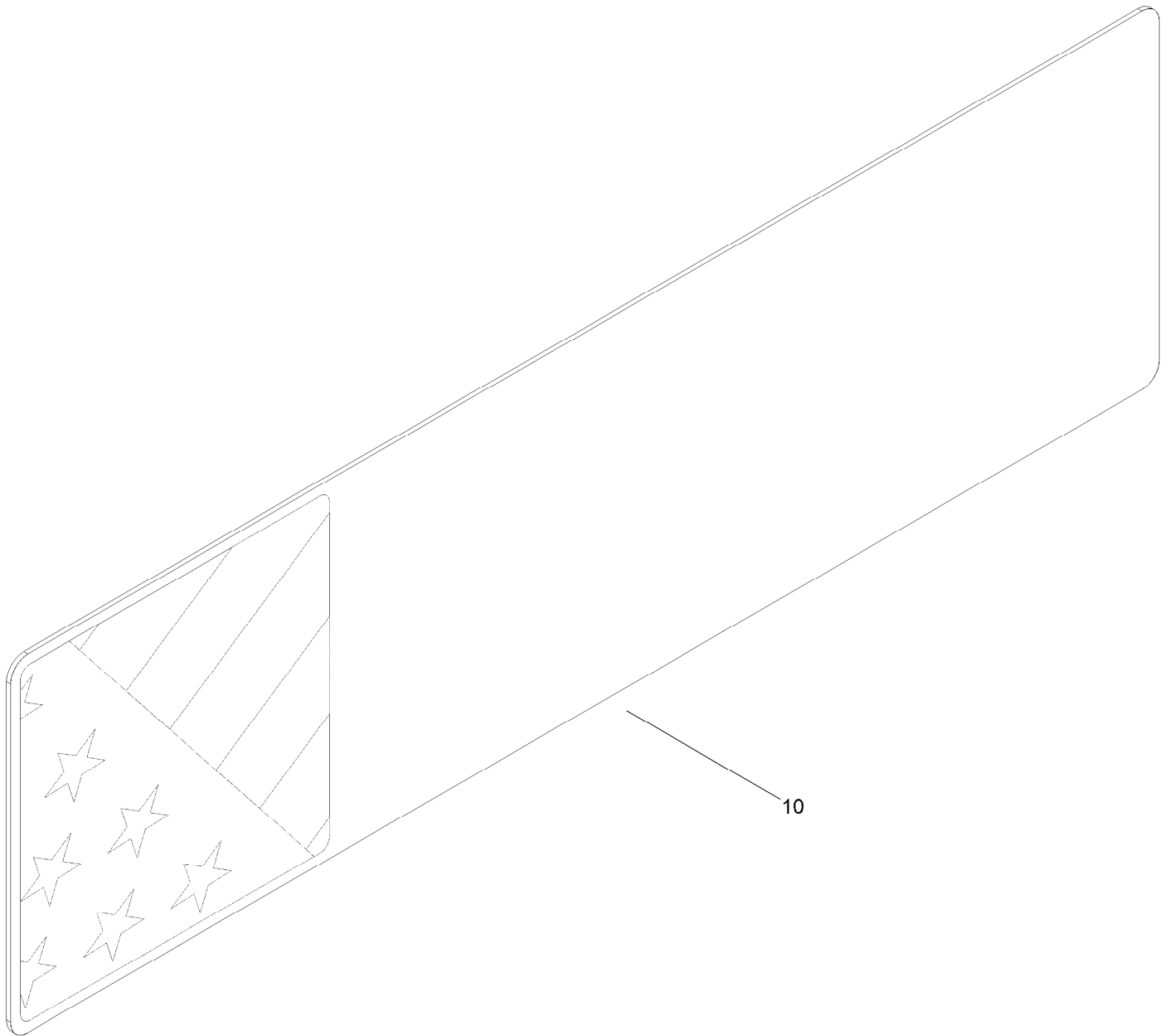
50 Inch Deck Assembly



50 Inch Deck Assembly (continued)

<i>Ref.</i>	<i>Part Number</i>	<i>Qty.</i>	<i>Description</i>	<i>Ref.</i>	<i>Part Number</i>	<i>Qty.</i>	<i>Description</i>
1	138-9764	1	50In Deck And Decal ASM	21	63-7400	2	Washer-Rebound
1:3	93-7009	1	Decal-Danger	22	114-0463	2	Washer-Friction, Composite
1:4	132-0872	2	Decal-Danger, Deck	23	115-4986	1	Spacer
1:5	99-3943	1	Decal-Routing, Belt	24	104-8301	7	Nut-HF, NI
1:7	112-9840	1	Decal-Scalp, Anti	25	138-7262	1	Arm-Idler
6	139-3208	1	Decal-Deck	26	119-8820	1	V-Belt
7	139-2448-03	1	Baffle-Corner	27	137-2019	1	Rod-Pivot
8	138-9753	2	Screw	28	138-7502	1	Deflector-Discharge
9	139-3214	3	Spindle ASM	29	138-7268	1	Spring-Torsion
9:2	120-7935	2	Spacer	30	138-9800-03	1	Baffle-Cutoff
9:3	138-9770	2	Bearing-Ball	31	3296-59	1	Nut-Lock, NI
10	32144-41	12	Screw-Taptite	32	1-603299	3	Roller-Scalp, Anti
11	117-7268	3	Shaft-Spindle	33	112-3977	3	Bolt-Shoulder
12	139-7454	3	Pulley	34	133-9289	2	Fitting-Washout
13	3219-6	3	Nut-Hex	34:2	133-9290	1	O-Ring
14	115-5059-03	3	Blade-Hi Lift	35	32144-4	4	Screw-HWH
15	3290-465	3	Washer-Belleville	36	138-7266	1	Spring-Return, Hook
16	26-0671	3	Screw-HH	37	138-7264	1	Spring-Extension
17	132-9420	3	Pulley-Idler, Flat	38	139-5871	2	Pin-Deck
18	3256-24	2	Washer-Flat	39	139-3293	2	Cover-Belt
19	323-9	4	Screw-HH	40	95-3270	1	Connector-Hose
20	110-9981	1	Washer-Plain	41	139-3272-03	2	Bracket-Cover, Belt

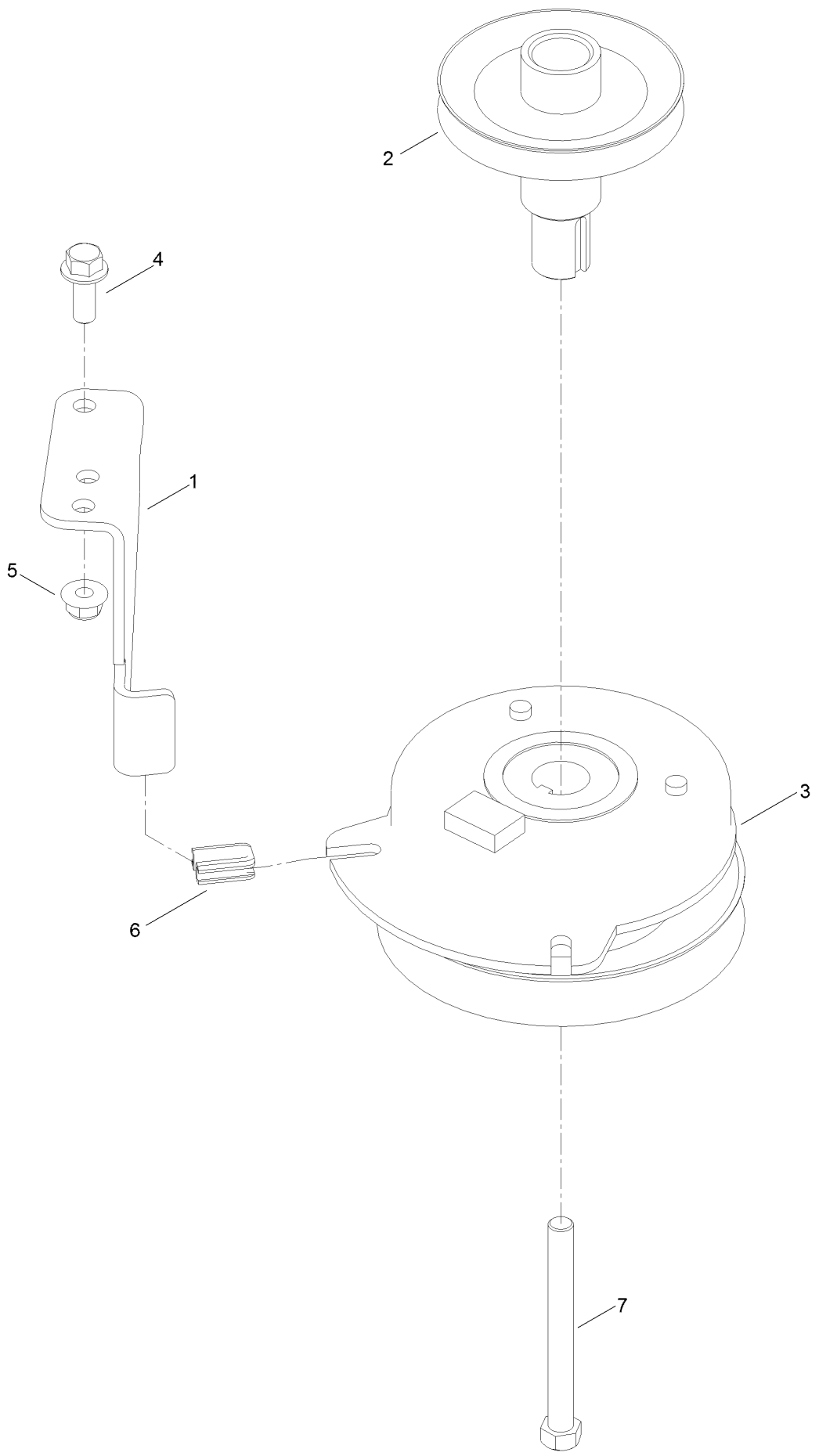
Model Specific Decal Assembly



Model Specific Decal Assembly (continued)

<i>Ref.</i>	<i>Part Number</i>	<i>Qty.</i>	<i>Description</i>
10	140-2099	1	Decal

Clutch Assembly



Clutch Assembly (continued)

<i>Ref.</i>	<i>Part Number</i>	<i>Qty.</i>	<i>Description</i>	<i>Ref.</i>	<i>Part Number</i>	<i>Qty.</i>	<i>Description</i>
1	137-7000	1	Stop-Clutch (Wide)	5	104-8301	1	Nut-HF, NI
2	138-9792	1	Pulley-Engine	6	120-2217	1	Isolator-Clutch
3	127-3408	1	Clutch-PTO	7	3212-17	1	Screw-HH
4	3234-42	1	Screw-HHF				

Attachments and Accessories

For 75750 TimeCutter 5000 Riding Mower

Product Name	Model/Part
Hourmeter Kit	116-5461
Jack Kit	127-6666
50 Inch Recycler Kit	139-3240
50 Inch Bagging Enhancement Kit	139-7459
Front Weight Kit	140-2050
Assist Bar Kit	140-2052
Sunshade Kit	140-2054
LED Light Kit	140-2056
Floormat Kit	140-2060
Jack Mount Kit	140-2711
Twin Bagger, Timecutter 50in/54in Fab.	79412
ROPS Kit	79485
Slope Sensor Kit	79486

Notes:



Count on it.