



MODEL NO. 51535-9000001 thru  
0000001 & UP  
MODEL NO. 51545-9000001 thru  
0000001 & UP

**OPERATOR'S  
MANUAL**

**450 TX AIR RAKE  
550 TBX RAKE-O-VAC®**

## SAFETY INSTRUCTIONS

To assure maximum safety, optimum performance, and to gain knowledge of the appliance, it is essential that you or any other operator of the appliance read and understand the contents of this manual before operating appliance. Pay particular attention to the safety alert symbol which means CAUTION, WARNING OR DANGER — “personal safety instruction.” Read and understand the instruction because it has to do with safety. Failure to comply with instruction may result in personal injury.

### BEFORE OPERATING

1. Read and understand the contents of this manual before using the appliance. Be thoroughly familiar with the proper use of the appliance.
2. Keep everyone, especially children and pets, away from area of operation. Never allow children to operate the appliance. It is not a toy. Never allow adults to operate unit without first reading the Operator's Manual.
3. Always wear safety goggles or other suitable eye protection.
4. Never operate the appliance in wet or damp conditions. **DO NOT USE IN THE RAIN.**
5. Dress properly. Do not wear loose clothing or jewelry. They can catch in moving parts. Always wear substantial footwear and long pants.
6. Use the right appliance. Do not use the appliance for any job except that for which it was intended.
7. To reduce the risk of electric shock, use only an approved optional Toro Extension Cord, or equivalent cord suitable for outdoor use. Replace damaged extension cord immediately.
8. Properly connect extension cord to power supply cord to prevent disconnection of the cords (Fig. 6).
9. Avoid unintentional starting. Do not carry plugged in appliance with finger on switch.
10. Don't abuse cord—never yank cord to disconnect from receptacle. Keep cord away from extreme heat, oil, and sharp edges. Replace damaged cords.
11. Never blow debris in the direction of bystanders.

## SAFETY INSTRUCTIONS

12. Always be sure of your footing. Keep a firm hold on the handle and walk, never run.
13. Stop the motor and unplug the supply cord whenever you leave the appliance, before cleaning the housing, and when making any repairs or inspections.
14. When not in use, store your appliance in a dry place out of the reach of children.
15. Keep all fasteners tight to be sure the appliance is in safe working condition.
16. Never operate without proper guards or other protective safety devices in place.
17. Do not put hands or feet near rotating parts. Keep clear at all times.
18. If the appliance should start to vibrate abnormally, stop the motor and check immediately for the cause. Vibration is generally a warning of trouble.
19. Do not operate your appliance after it has been dropped or damaged. Return it to your nearest authorized service dealer for inspection or repair.
20. When servicing use only identical replacement parts. Replace or repair damaged cords.

## ASSEMBLY INSTRUCTIONS

### ATTACH OUTLET TUBES

1. Thread outlet tubes together with a twisting motion (Fig. 1).
2. Thread assembled tubes into blower outlet (Fig. 1).

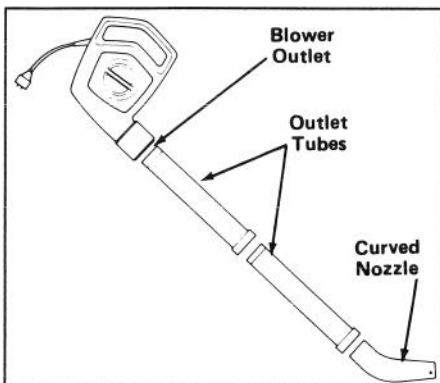


Figure 1

### MOUNT VACUUM

(Optional on Model 51535 only)

#### CAUTION

Do not remove inlet cover when motor is operating. Motor impeller rotates for a few seconds after blower is turned off.

1. Turn off unit and unplug from electrical outlet.
2. Grasp inlet cover and rotate it counterclockwise until locking tabs release. Remove cover (Fig. 2).

# OPERATING INSTRUCTIONS

## WARNING

To reduce the risk of hazardous electrical shock, never use vacuum in rain or wet areas.

1. With vac tubes and bag attached, pick up unit with right hand holding handle and left hand on textured part of housing. Bag should be on right side. Place bag strap over shoulder, and adjust length to fit (Fig. 8).

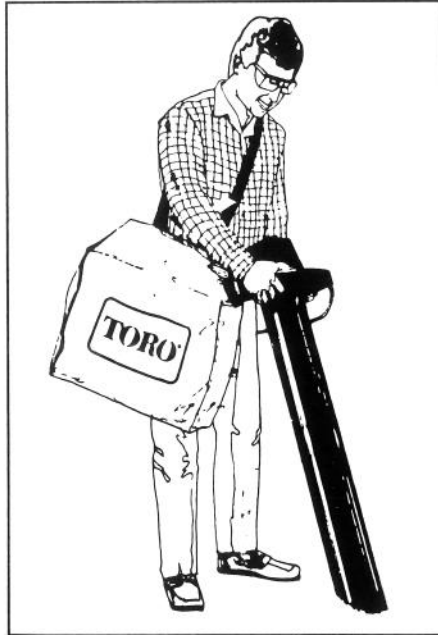


Figure 8

2. Slide on/off switch to the "on" position.

3. Swing unit slowly back and forth over debris to be vacuumed. Do not force tube into pile of debris. Debris should not be stored in vacuum bag. Bag should be emptied after each use for more efficient operation. After about 3 uses, bag should be thoroughly cleaned. Turn bag inside out and shake out dust and excess debris.

**Note:** To prevent debris and dust from falling out of bag inlet when bag is being emptied, squeeze inlet and secure velcro tabs.

**IMPORTANT:** This unit is designed to pick up dry material, leaves, small twigs, and bits of paper. Do not attempt to pick up stones, gravel, or broken glass as severe damage to fan blades may result.

### CONVERSION TO BLOWER

To convert this unit from a vacuum to a blower, simply remove vacuum bag and tubes. Replace inlet cover.

**Note:** Make sure inlet cover mounting tabs are securely locked into position, activating interlock switches.

# MAINTENANCE

## CLOGGING

If the unit should become clogged with debris, the obstruction can usually be cleared by turning the unit off and then promptly compressing the bag while it is still inflated, thereby forcing air back out through the inlet tubes. This reverse airflow is usually sufficient to dislodge most obstructions.

If the restriction cannot be cleared by compressing the bag, then proceed as follows:

### CAUTION

1. Turn off and unplug unit.
2. Remove tubes.
3. Carefully reach into opening and clear out debris.

## BAG CLEANING

A dirty bag will obstruct the air flow, thereby reducing the performance of your vacuum. It is recommended that the bag be turned inside out and shaken out vigorously. After shaking, the bag should be returned to its original side out and reinstalled. This procedure should be performed on a regular basis. In addition, the bag should be washed once a year.

### WARNING

The bag is made of material that will catch the majority of debris, such as small stones that may be thrown into it. However, under normal usage, this material is subject to deterioration and wear. Therefore, check bags frequently. If bag is defective, replace it with a genuine TORO part.

## IMPELLER WEAR

If a loss of performance is detected while operating blower, remove inlet cover and check impeller blades for wear. If blades are severely worn (Fig. 9), have impeller replaced by an Authorized TORO Service Dealer.

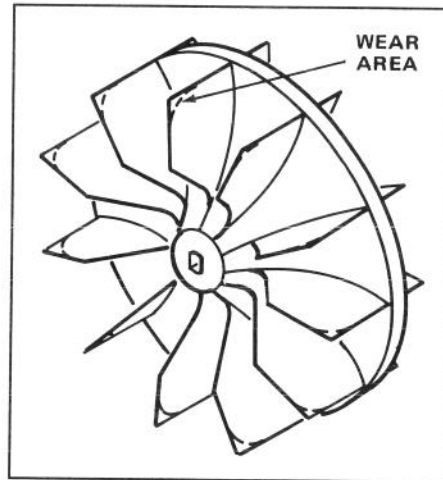


Figure 9

## The Toro Promise A Full Two Year Warranty

The Toro Company warrants your TORO product against defects in material or workmanship. During the warranty period, Toro will, at its option, replace a defective product with a new or rebuilt unit, or will repair or replace any defective parts. The following time periods from the date of purchase apply:

Residential Product ..... 2 Years  
Residential Products Used Commercially ..... 45 Days

The cost of replacement or repair is included, but the customer pays the transportation costs.

Should you feel your TORO Product is defective and wish to rely on The Toro Promise, you may return it to:

1. The original place of purchase  
OR
2. A TORO Electrical Service Dealer  
OR
3. The Toro Service Center  
5300 Shoreline Blvd.  
Mound, MN 55364  
(Postage Prepaid)

Upon return of your unit to one of the above, it will be inspected and you will be advised whether the product is defective. If defective, arrangements will be made for repair or replacement without extra charge to you.

If for any reason you are dissatisfied with the analysis of the defect or the service performed, you may contact us.

Write: TORO Customer Service Center  
Home Improvement Division  
8111 Lyndale Avenue South  
Minneapolis, MN 55420

THERE IS NO OTHER EXPRESS WARRANTY.

THE TORO COMPANY IS NOT  
LIABLE FOR INDIRECT OR CONSEQUENTIAL DAMAGES IN CONNECTION

WITH THE USE OF THE PRODUCT.

Some states do not allow the exclusion or limitation of incidental or consequential damages, so the above limitation or exclusion may not apply to you.

This warranty applies only to parts or components which are defective and does not cover repairs necessary due to normal wear, misuse, accidents, or lack of proper maintenance. Regular, routine maintenance of the unit to keep it in proper operating condition is the responsibility of the owner.

All warranty repairs reimbursable under The Toro Promise must be performed by a Toro Electrical Service Dealer using Toro approved replacement parts.

Repairs or attempted repairs by anyone other than a TORO Electrical Service Dealer are not reimbursable under the TORO Promise. In addition, these unauthorized repair attempts may result in additional malfunctions, the correction of which is not covered by warranty.

This warranty gives you specific legal rights, and you may also have other rights which vary from state to state.

### COUNTRIES OTHER THAN THE UNITED STATES OR CANADA

Customers who have purchased TORO products exported from the United States or Canada should contact their TORO Distributor (Dealer) to obtain guarantee policies for your country, province, or state. If for any reason you are dissatisfied with your Distributor's service or have difficulty obtaining guarantee information, contact the TORO importer. If all other remedies fail, you may contact us at The Toro Company.

# ASSEMBLY INSTRUCTIONS

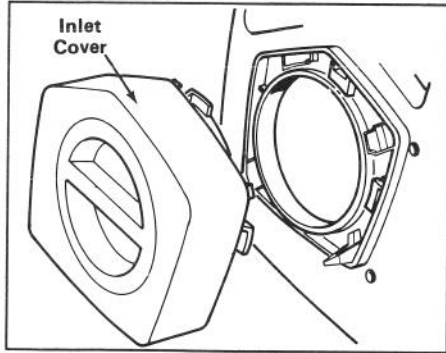


Figure 2

3. Slide upper and lower tubes together as shown in Figure 3.

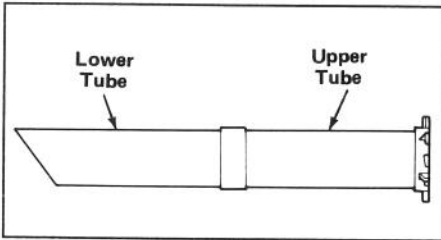


Figure 3

4. Insert upper tube into blower inlet and rotate clockwise until tabs lock (Fig. 4). Angled end of lower tube should be positioned downward.

**Note:** Make sure upper tube mounting tabs are securely locked

into position, activating interlock switches. Upper tube or inlet cover must be locked in position for blower to operate.

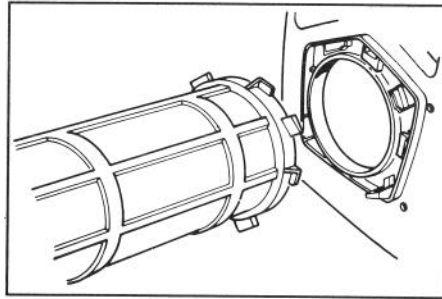


Figure 4

5. Fit opening of bag over exhaust opening sleeve on blower. Pull strap tightly to overlap velcro tabs and secure (Fig. 5).

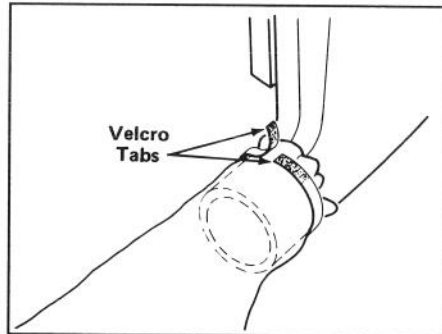


Figure 5

## BEFORE OPERATING

### SECURING POWER SUPPLY CORD

shown in Figure 6.

**Note:** The proper extension cord is a requirement for safe and efficient use of your appliance. Use only a UL listed extension cord, recommended for outdoor use and with a maximum length of 100 feet (minimum 16 gauge).

1. Secure the power supply cord and a suitable extension cord as

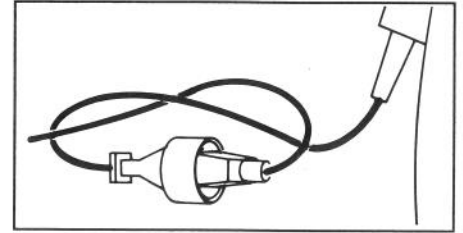


Figure 6

## OPERATING INSTRUCTIONS

### CAUTION

Always wear safety goggles or other suitable eye protection, long pants, and shoes while operating appliance.

you to easily direct debris from open doorways, screens, etc. Experience with the unit will indicate the amount of airflow necessary for each application.

### BLOWER

Your blower will easily blow debris from patios, walkways, garages, lawns, bushes, etc. and many hard to reach places that debris can accumulate.

Most debris can be blown by using only the two blower tubes. Heavier debris in hard to reach places can be blown easier using the curved nozzle.

Your blower features a variable inlet cover (Fig. 7) which allows you to adjust the volume of airflow by rotating the inlet adjustment knob. Low and intermediate flow will allow

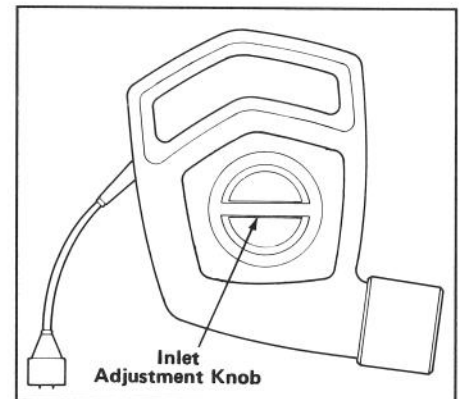


Figure 7

### VACUUM

(Optional on Model 51535 only)

Never run vacuum without vacuum bag attached as flying debris could cause injury. Always make sure bag zipper is closed when unit is in use.

## PRODUCT IDENTIFICATION

A model and a serial number decal is located on the blower housing. Always refer to specific numbers on this decal in correspondence or when replacement parts are needed.

## TORO SERVICE SUPPORT

If help – concerning safety, set-up, operation, maintenance, or troubleshooting – is ever needed, contact the local Authorized TORO Service Dealer or Distributor. Refer to the “Yellow Pages” for assistance. In addition to skilled service technicians, the dealer and distributor have factory approved accessories and replacement parts. Keep your TORO all TORO. Buy genuine TORO replacement parts and accessories.

## ACCESSORIES



**RAKE-O-VAC BAGGING KIT  
MODEL 51531**