



Count on it.

Parts Catalog

**21in Recycler®/Rear Bagging
Lawn Mower**

Model No. 21320—Serial No. 404320000 and Up



Ordering Replacement Parts

To order replacement parts, please supply the part number, the quantity, and the description of each part desired.

Understanding Reference Numbers

Each identified part in an illustration has a reference number. The reference number for a part also appears in the parts list, along with other information about the part.

This catalog uses two special reference number formats, one to indicate parts in a service assembly and another to indicate the quantity of a given part in an illustration.

Service Assembly Reference Numbers

Parts in service assemblies have reference numbers in the form a:b. The a represents the reference number of the entire service assembly and the b represents a sequential number unique to each part within the service assembly.

For example, a wheel assembly might be identified by reference number 6, the tire by 6:1, the valve by 6:2, and the wheel by 6:3. When you order the assembly identified by reference number 6, you receive all parts identified by reference numbers 6:1, 6:2, and 6:3. However, you may also order any part individually. Reference numbers of this type appear in illustration and in parts lists.

Reference Numbers Indicating Quantity

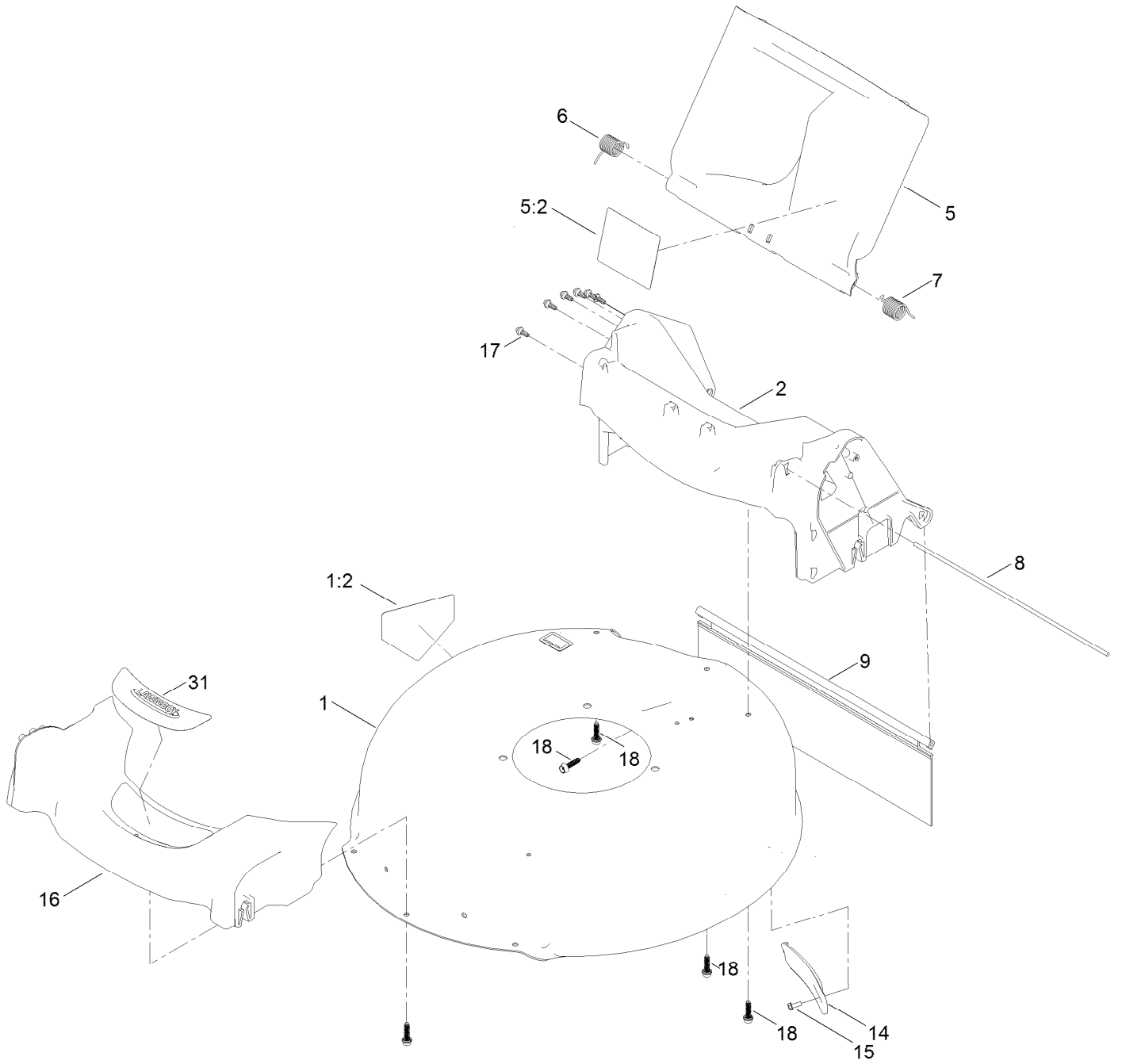
In an illustration, if a reference number indicates more than one part, the reference number has the form nX y. The n represents the quantity of the part, the X is the multiplication symbol, and the y represents the reference number.

For example, in an illustration, the reference number 2X 37 means that two of the parts identified by reference number 37 are indicated.

Contents

Housing Assembly	4
Bag Assembly	6
Engine and Blade Assembly	8
Front Wheel Assembly	10
Rear Wheel Assembly	12
Handle Assembly	14
Attachments and Accessories	16

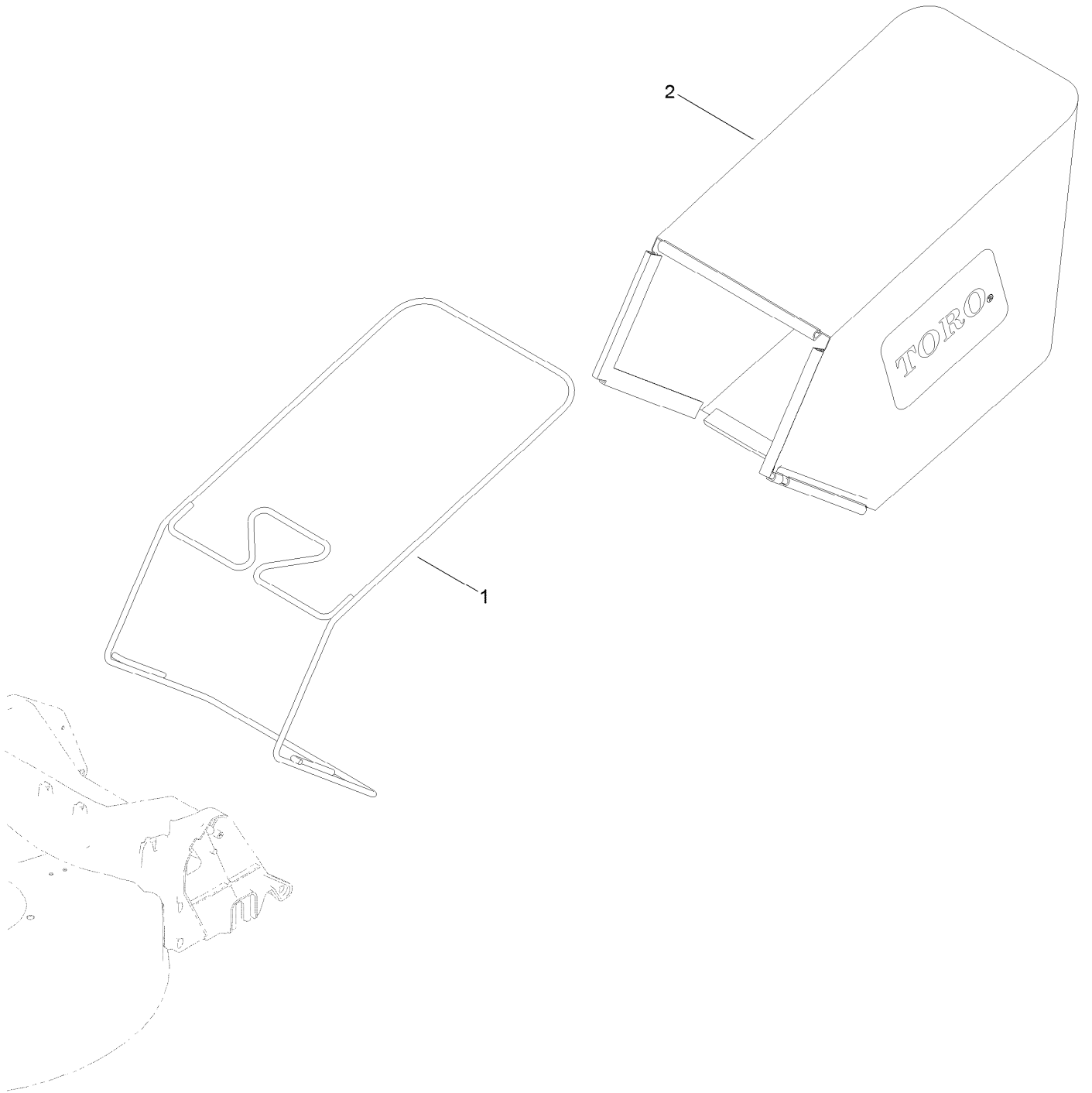
Housing Assembly



Housing Assembly (continued)

<i>Ref.</i>	<i>Part Number</i>	<i>Qty.</i>	<i>Description</i>	<i>Ref.</i>	<i>Part Number</i>	<i>Qty.</i>	<i>Description</i>
1	136-5906	1	Housing ASM	9	127-0724	1	Shield-Trailing
1:2	94-8072	1	Decal-Danger	14	132-4518	1	Cover-Belt
2	130-6657	1	Chute ASM	15	32144-1	1	Screw-Taptite
5	130-2368	1	Rear Deflector ASM	16	127-0677	1	Bumper
5:2	117-4143	1	Decal-Warning	17	130-2355	6	Stud
6	127-6807	1	Spring-Torsion	18	130-6658	9	Screw-Flange, Plastic
7	138-5378	1	Spring-Torsion	31	136-5905	1	Decal-Deck
8	127-0698	1	Rod-Door				

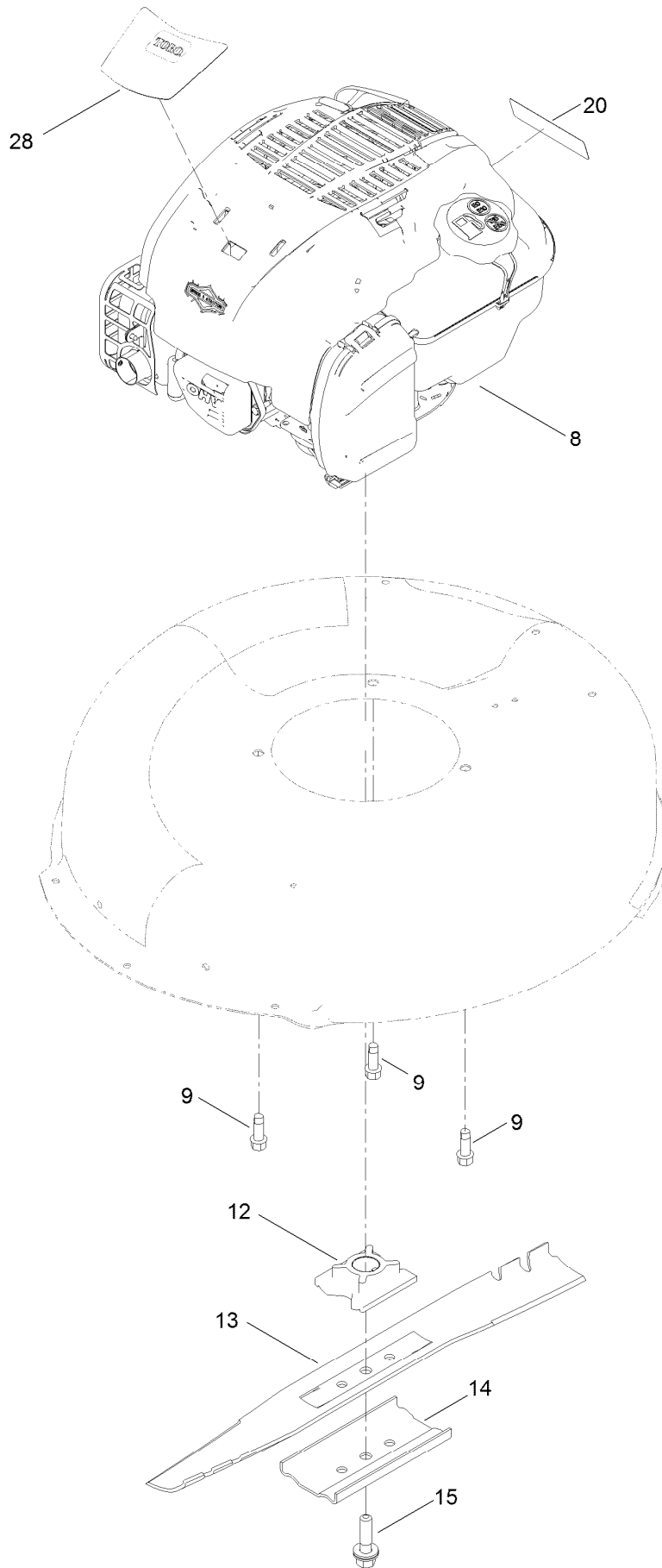
Bag Assembly



Bag Assembly (continued)

<i>Ref.</i>	<i>Part Number</i>	<i>Qty.</i>	<i>Description</i>
1	131-9697-03	1	Frame-Bag
2	130-6744	1	Bag-Grass

Engine and Blade Assembly



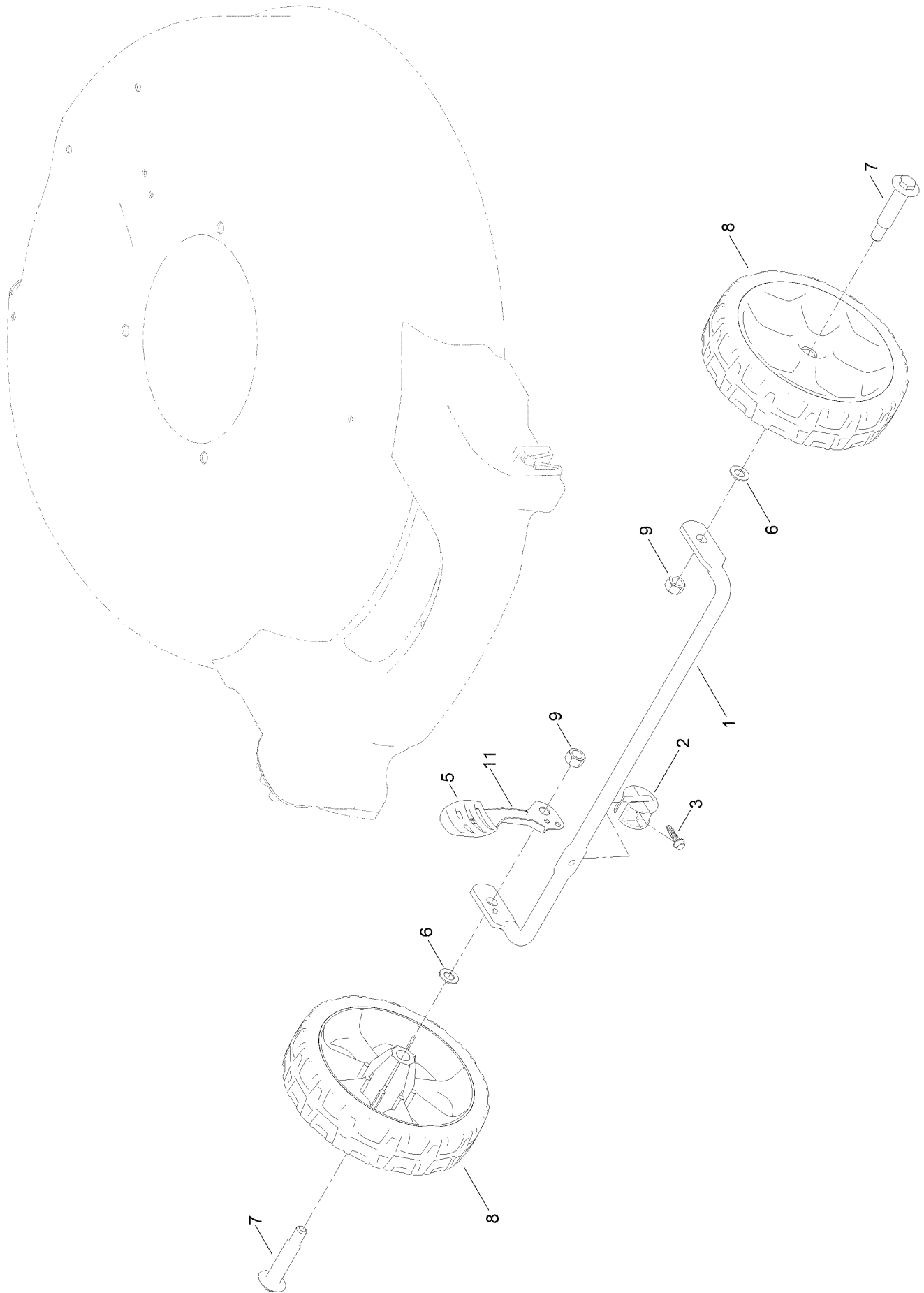
Engine and Blade Assembly (continued)

<i>Ref.</i>	<i>Part Number</i>	<i>Qty.</i>	<i>Description</i>	<i>Ref.</i>	<i>Part Number</i>	<i>Qty.</i>	<i>Description</i>
8		1	Engine-Briggs, 103M020083F1 ●■	14	108-3766-03	1	Support-Blade
9	95-1726	3	Screw-Taptite	15	125-2466	1	Bolt-Blade
12	104-1007	1	Retainer-Blade	20	133-8062	1	Decal-Arrestor, Spark
13	133-8182-03	1	Blade-21In	28	137-9136	1	Decal-Engine

● Not serviced separately

■ Obtain parts from www.briggsandstratton.com

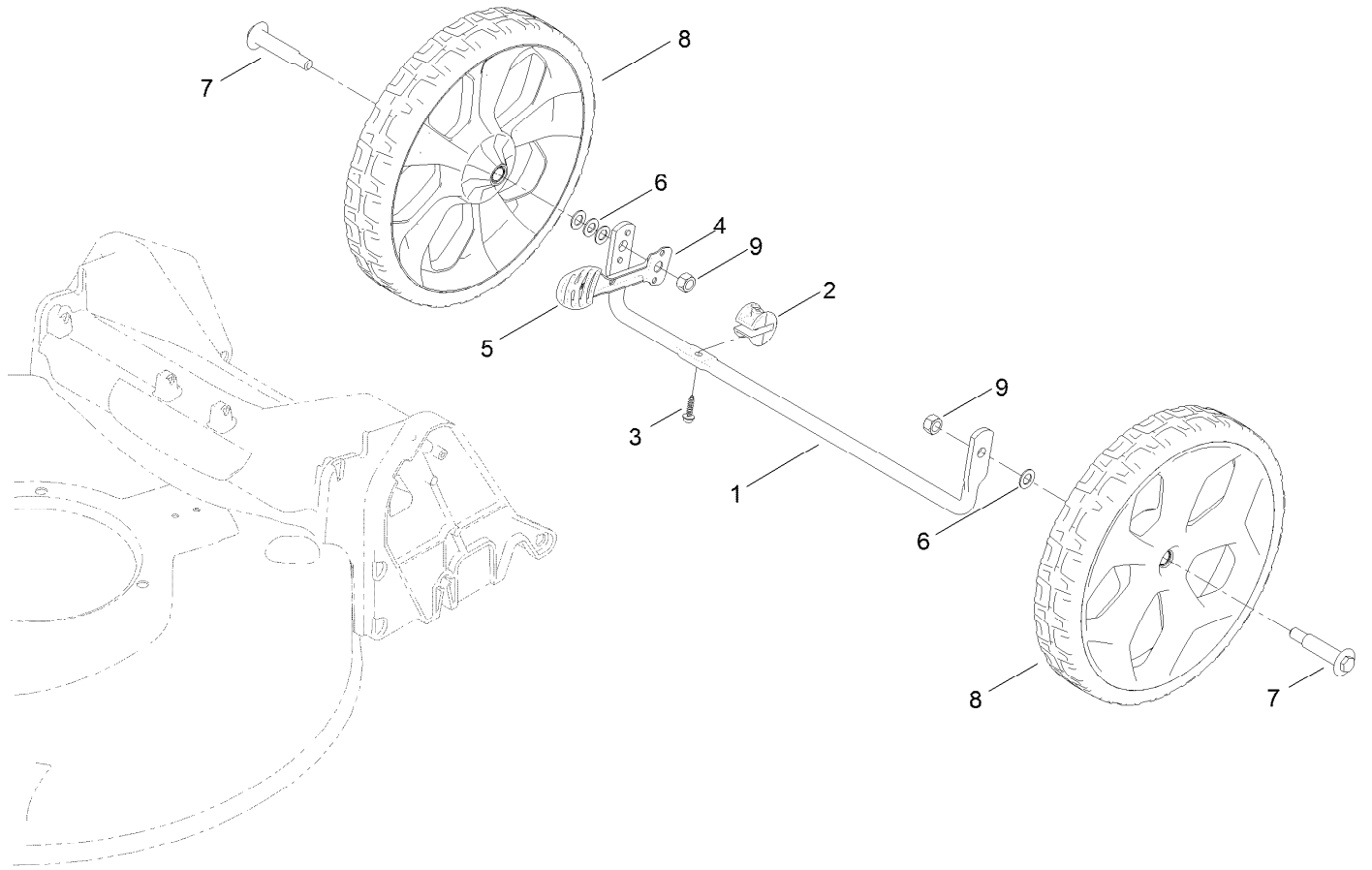
Front Wheel Assembly



Front Wheel Assembly (continued)

<i>Ref.</i>	<i>Part Number</i>	<i>Qty.</i>	<i>Description</i>	<i>Ref.</i>	<i>Part Number</i>	<i>Qty.</i>	<i>Description</i>
1	127-0668-03	1	Axle-Front	7	92-1057	2	Bolt-Shoulder
2	127-6800	1	Stop-Axle	8	127-0683	2	7 Inch Wheel ASM
3	127-6831	1	Screw-HWH	9	125-5069	2	Nut-Hex
5	105-3042	1	Knob-Lever, HOC	11	133-8154	1	Arm-Spring
6	40-1940	2	Washer				

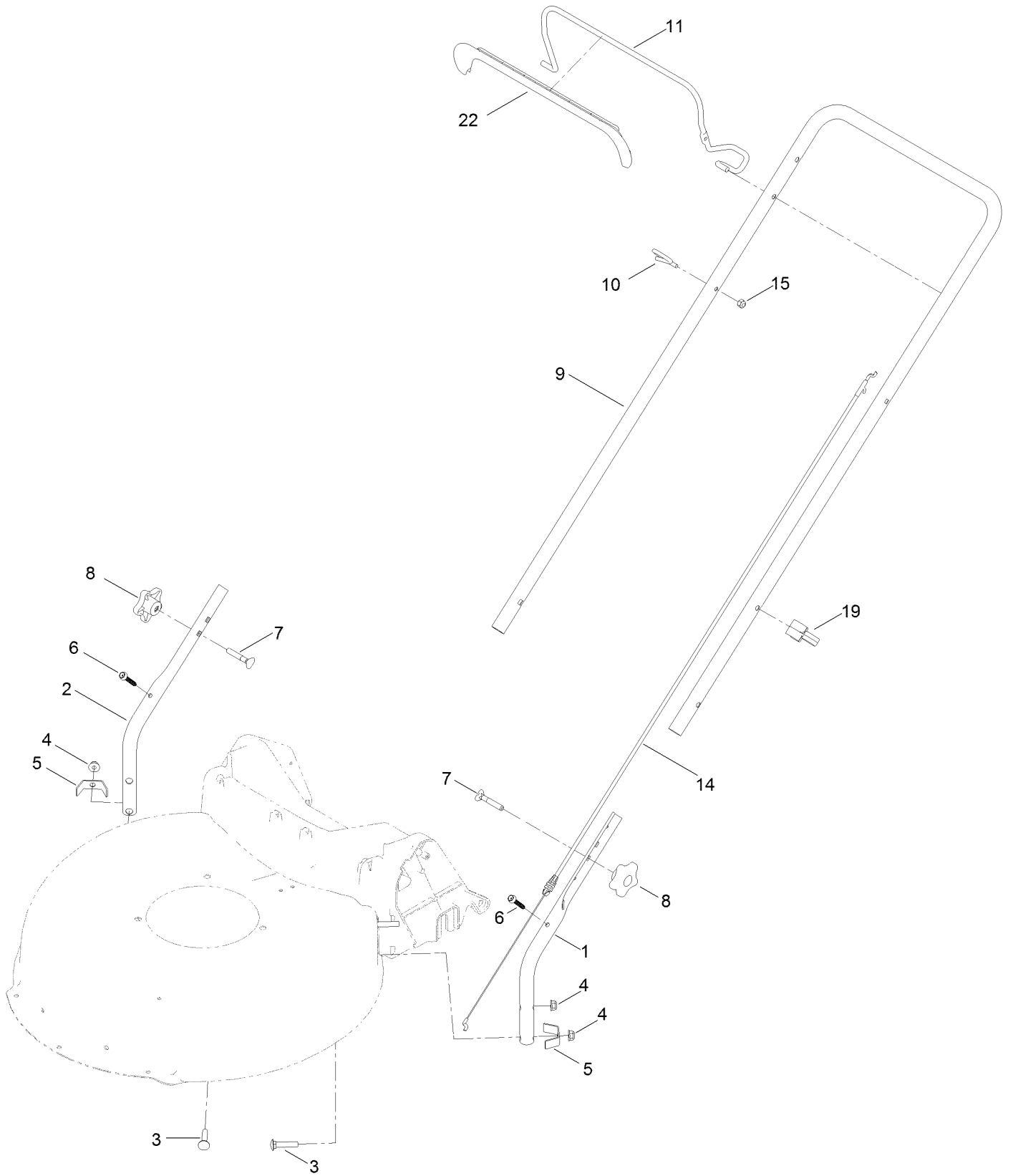
Rear Wheel Assembly



Rear Wheel Assembly (continued)

<i>Ref.</i>	<i>Part Number</i>	<i>Qty.</i>	<i>Description</i>	<i>Ref.</i>	<i>Part Number</i>	<i>Qty.</i>	<i>Description</i>
1	127-0669-03	1	Axle-Rear	6	40-1940	4	Washer
2	127-6800	1	Stop-Axle	7	92-1057	2	Bolt-Shoulder
3	127-6831	1	Screw-HWH	8	127-0686	2	11 Inch Wheel ASM
4	127-0697	1	Arm-Spring, Rear	9	125-5069	2	Nut-Hex
5	105-3042	1	Knob-Lever, HOC				

Handle Assembly



Handle Assembly (continued)

<i>Ref.</i>	<i>Part Number</i>	<i>Qty.</i>	<i>Description</i>	<i>Ref.</i>	<i>Part Number</i>	<i>Qty.</i>	<i>Description</i>
1	136-5923-05	1	Handle-Lower, LH	9	137-4826-05	1	Handle-Upper
2	136-5924-05	1	Handle-Lower, RH	10	86-9671	1	Guide-Rope
3	130-6654	4	Bolt-CARR	11	138-3270-03	1	Bail-Brake
4	130-6655	4	Nut-Flange, NI	14	127-0713	1	Cable-Brake, Engine
5	127-0699	2	Bracket-Chute	15	3296-73	1	Nut-Lock, NI
6	130-6659	2	Screw-Flange, Serrated	19	114-7988	1	Guide-Cable
7	92-2260	2	Screw-Handle	22	137-4797	1	Cover-Bail
8	117-5976	2	Knob-Handle				

Attachments and Accessories

For 21320 21in Recycler/Rear Bagging Lawn Mower

Product Name	Model/Part
All Season Synthetic Oil (10W30, QT)	117-0066
Fuel Stabilizer .05 oz	130-2393
Briggs Maint Kit.....	130-8148
4-Cycle Fuel, Snow And Lawn 32oz Can	131-3823
Toro Premium Fuel Treatment 12 Oz Bottle	131-6572
Side-Discharge Deflector, 2013 and After 21in Steel Deck Mower	136-7060
Lawn Striping Kit with 22in Roller	20601
Toro 4-Cycle SAE 30 Oil (32oz Bottle)	38903
Summer Oil-Case of 24 (20oz Bottles).....	38916
Bag-Walk Behind (Toro).....	490-7318
Lawnmower Cover.....	490-7462

Notes:

Notes:

Notes:



Count on it.