



**Count on it.**

**Parts Catalog**

**Workman® GTX EFI Utility Vehicle  
with Bucket Seat**

Model No. 07059—Serial No. 405219662 and Up



# Ordering Replacement Parts

To order replacement parts, please supply the part number, the quantity, and the description of each part desired.

## Understanding Reference Numbers

Each identified part in an illustration has a reference number. The reference number for a part also appears in the parts list, along with other information about the part.

This catalog uses two special reference number formats, one to indicate parts in a service assembly and another to indicate the quantity of a given part in an illustration.

## Service Assembly Reference Numbers

Parts in service assemblies have reference numbers in the form a:b. The a represents the reference number of the entire service assembly and the b represents a sequential number unique to each part within the service assembly.

For example, a wheel assembly might be identified by reference number 6, the tire by 6:1, the valve by 6:2, and the wheel by 6:3. When you order the assembly identified by reference number 6, you receive all parts identified by reference numbers 6:1, 6:2, and 6:3. However, you may also order any part individually. Reference numbers of this type appear in illustration and in parts lists.

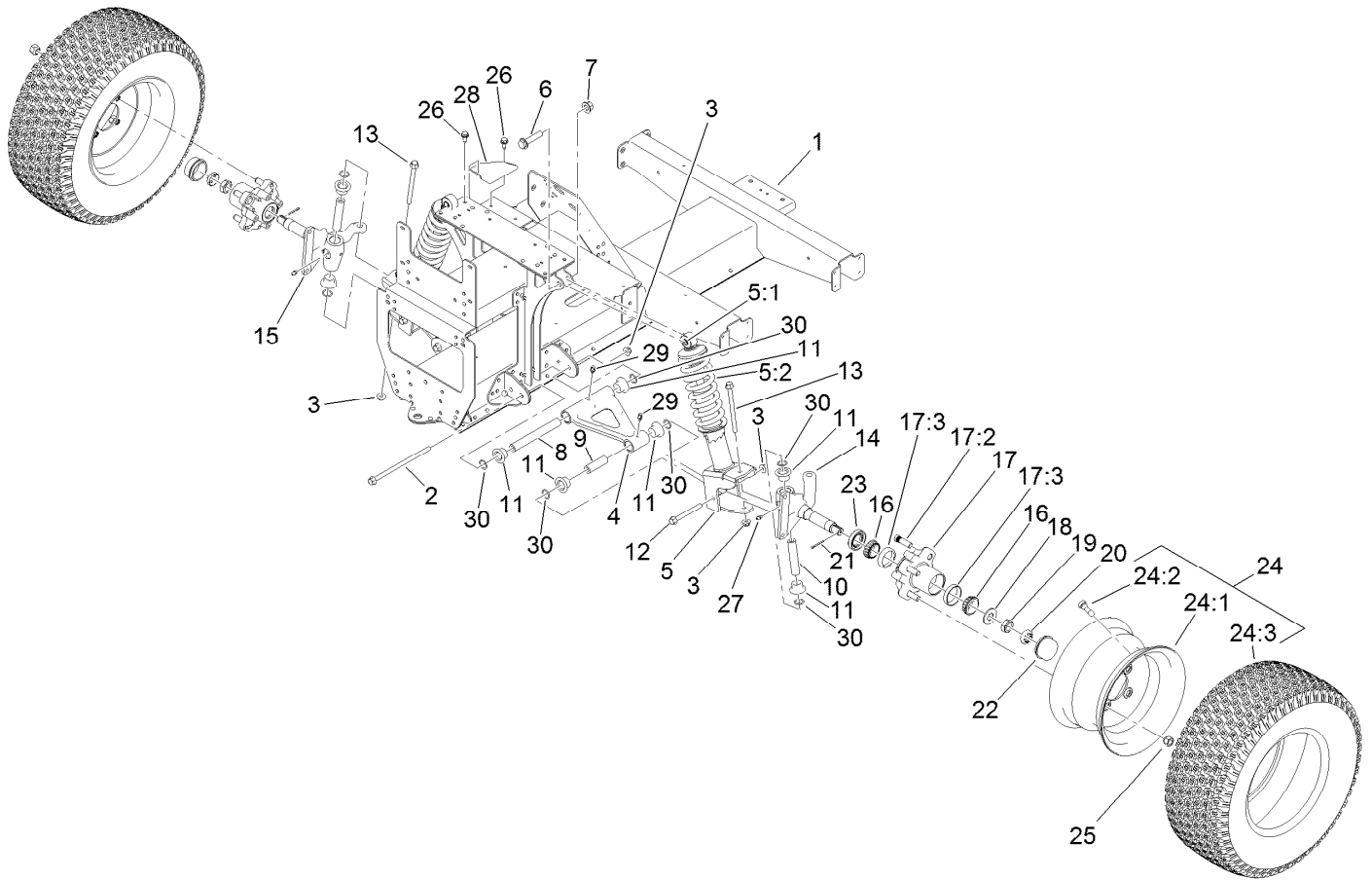
## Reference Numbers Indicating Quantity

In an illustration, if a reference number indicates more than one part, the reference number has the form nX y. The n represents the quantity of the part, the X is the multiplication symbol, and the y represents the reference number.

For example, in an illustration, the reference number 2X 37 means that two of the parts identified by reference number 37 are indicated.

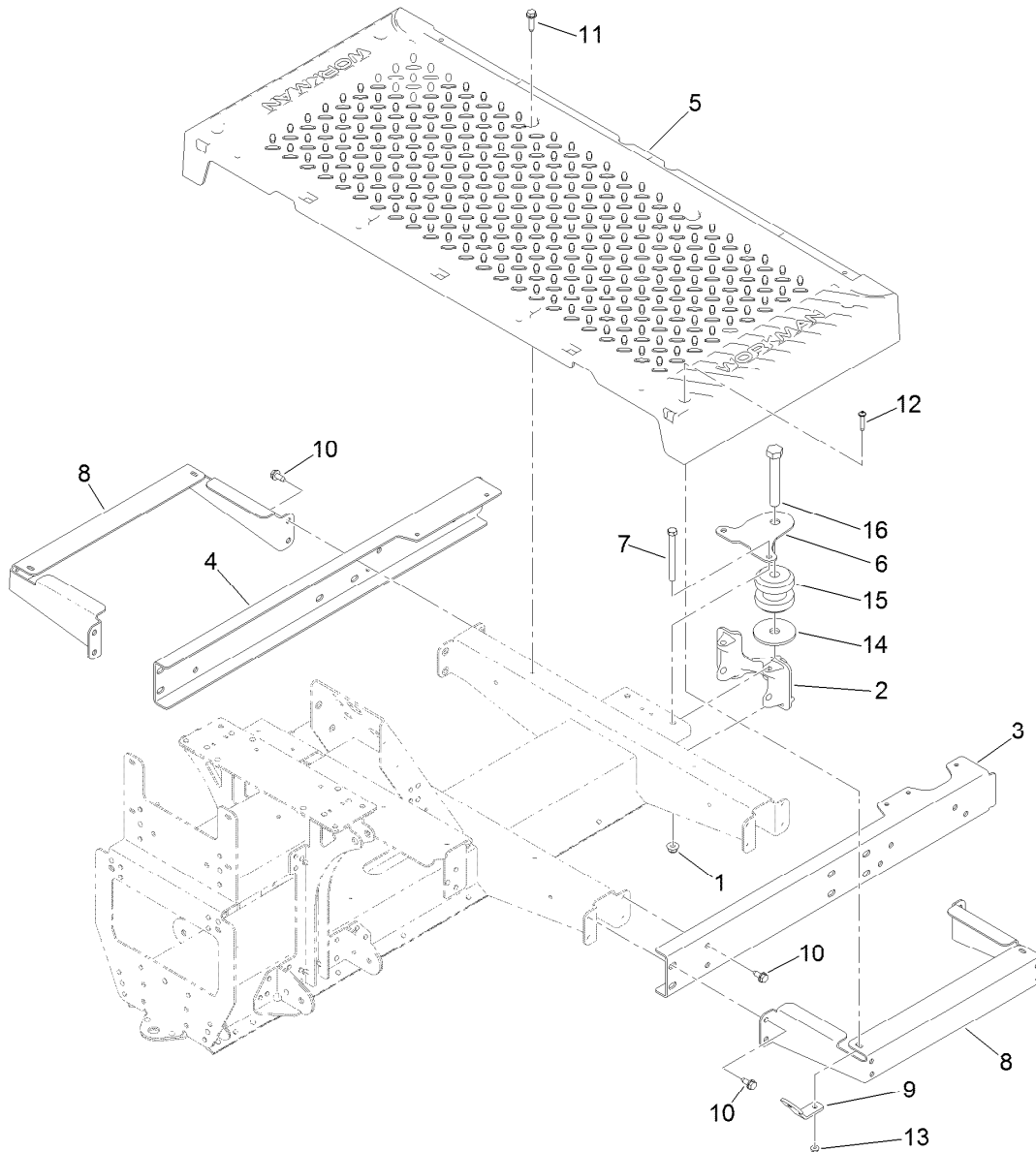
# Contents

Front Frame and Suspension Assembly . . . . .	4
Floor Plate and Rear Suspension Mount Assembly . . . . .	5
Rear Frame and Suspension Assembly . . . . .	6
Frame Mount and Rear Shock/Spring Assembly . . . . .	7
Brake Assembly . . . . .	8
Master Cylinder Assembly No. 104-6782 . . . . .	9
Brake Caliper Assembly No. 127-7424 . . . . .	10
Steering Assembly . . . . .	11
Pedal and Control Assembly . . . . .	12
Hood and Fender Assembly . . . . .	13
Dash Assembly . . . . .	14
Seatbase Assembly . . . . .	15
Cargo Bed Assembly . . . . .	16
Cargo Bed and Tailgate Assembly No. 131-8592 . . . . .	17
Engine Assembly . . . . .	18
Starter Generator Assembly No. 131-8444 . . . . .	20
Secondary Clutch Assembly No. 119-6011 . . . . .	21
Air Cleaner Assembly No. 138-3447 . . . . .	22
Primary Clutch Assembly No. 138-0095 . . . . .	23
Rear Wheel and Transaxle Assembly . . . . .	24
Battery and Cable Assembly . . . . .	25
Transaxle Assembly No. 131-3486 . . . . .	26
Electrical Assembly . . . . .	28
Fuel System Assembly . . . . .	29
Attachments and Accessories . . . . .	31



## Front Frame and Suspension Assembly

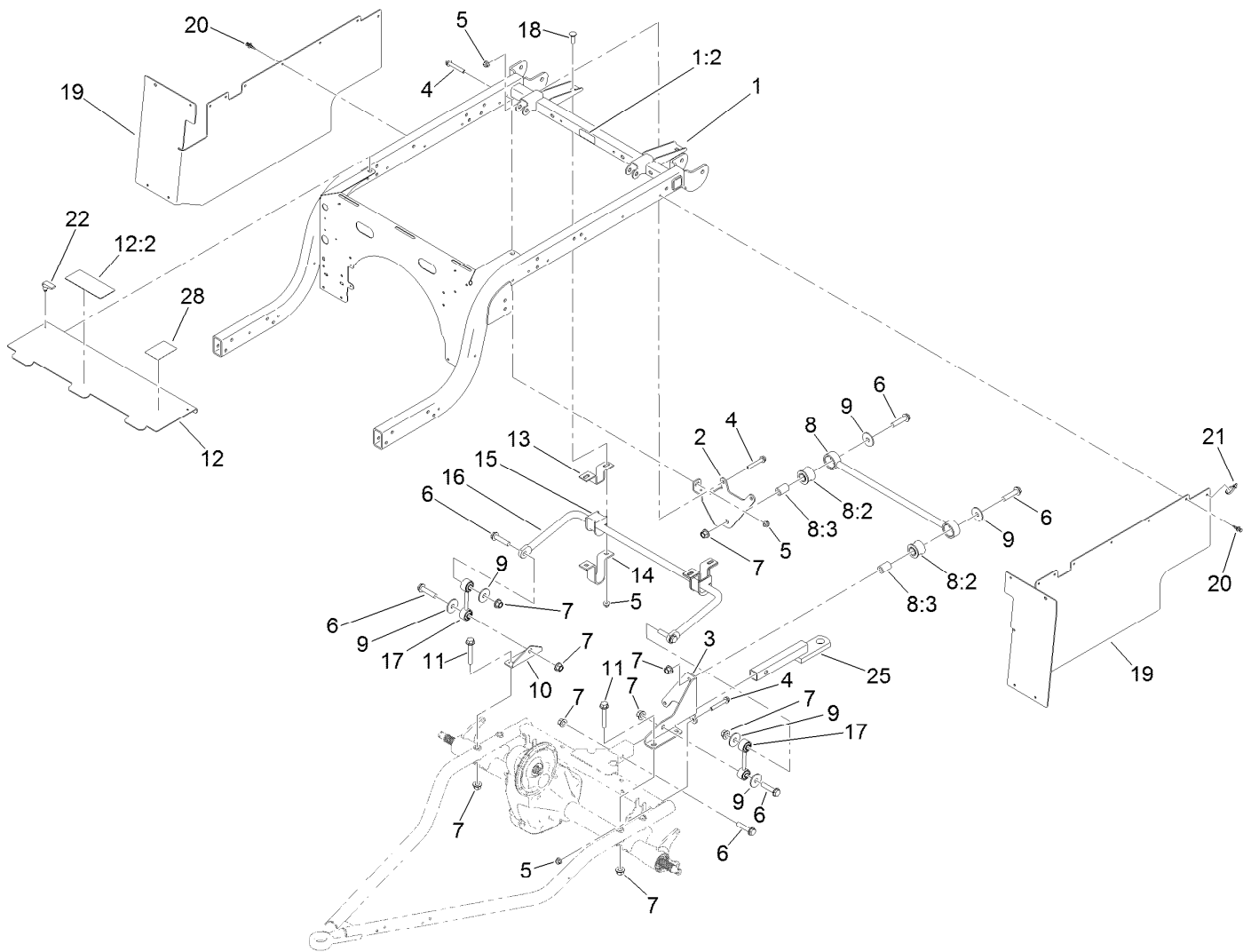
Ref.	Part Number	Qty.	Description	Ref.	Part Number	Qty.	Description
1	127-7718-03	1	Frame-Front	17:2	10-6830	4	Stud-Type, Drive
2	139-3360	2	Screw-HF	17:3	254-72	2	Bearing-Cup, Tapered
3	139-3380	6	Nut-HF	18	93-0309	2	Washer-Tab
4	131-8345	2	A-Arm	19	3220-7	2	Nut-Jam
5	137-6716	2	Strut ASM (250 Lb)	20	93-0307	2	Nut-Lock, Retainer
5:1	131-8574	1	Isolator-Shock	21	3272-12	2	Pin-Cotter
5:2	137-6719	1	Spring-Compression, 250Lb	22	241-119	2	Cap-Dust
6	3234-46	2	Screw-HHF	23	112-1690	2	Seal-Oil
7	99-5107	2	Nut-Lock	24	139-4495	2	Wheel And Tire ASM
8	131-8581	2	Sleeve-Control Arm, Inner	24:1	131-8317	1	Wheel
9	131-8583	2	Sleeve-Control Arm, Outer	24:2	232-27	1	Stem-Valve
10	131-8582	2	Sleeve-Kingpin	24:3	139-4475	1	Tire-20 X 8.00-10
11	133-0643	12	Bushing-Flange, O-Ring	25	242-50	8	Nut-Lug
12	139-3370	2	Screw-HF	26	32144-70	2	Screw-HWHTF
13	139-3350	2	Screw-HF	27	302-5	2	Fitting-Grease
14	127-8825-03	1	Spindle-LH	28	131-8339-03	1	Reinforcement-Tower
15	127-8826-03	1	Spindle-RH	29	302-40	4	Fitting-Grease, 90 DEG
16	254-94	4	Bearing-Cone, Tapered	30	237-54	12	O-Ring
17	127-8851	2	Front Hub ASM				



## Floor Plate and Rear Suspension Mount Assembly

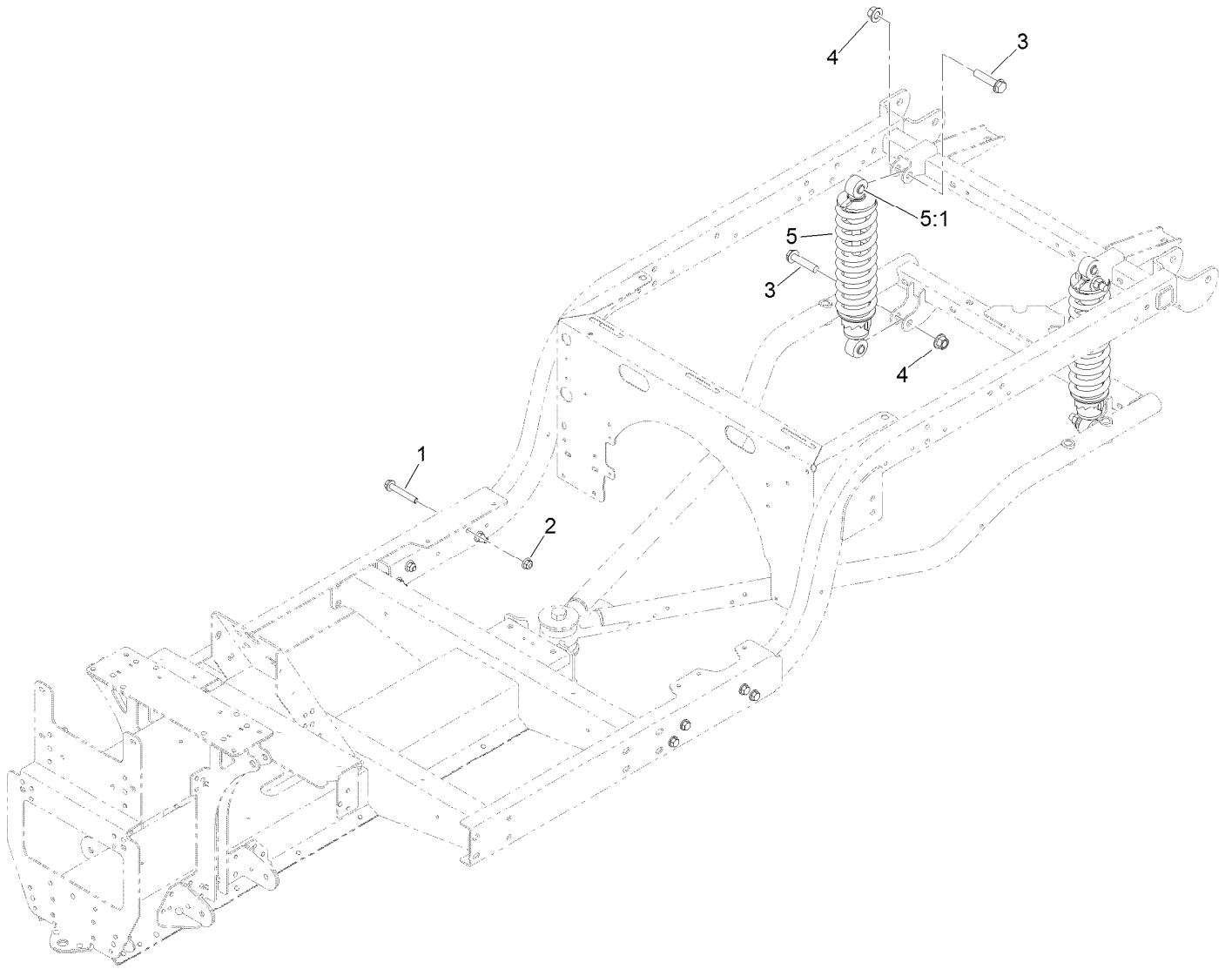
Ref.	Part Number	Qty.	Description
1	104-8301	2	Nut-HF, NI
2	131-8466	1	Mount-Suspension, Rear
3	127-7820-03	1	Channel-Frame, Front (LH)
4	127-7821-03	1	Channel-Frame, Front (RH)
5	127-7829	1	Plate-Floor
6	131-8597	1	Plate-Gimbal, Upper
7	323-42	2	Screw-HH
8	127-7837-03	2	Bracket-Support, Floor Plate

Ref.	Part Number	Qty.	Description
9	127-7832	2	Bracket-Angle
10	32144-70	16	Screw-HWHTF
11	32144-49	4	Screw-HWHTF
12	132-6777	4	Screw-TTH
13	104-7201	4	Nut-HF
14	110-4549	1	Washer-Snubbing
15	131-8480	1	Isolator
16	104-5877	1	Screw-HH



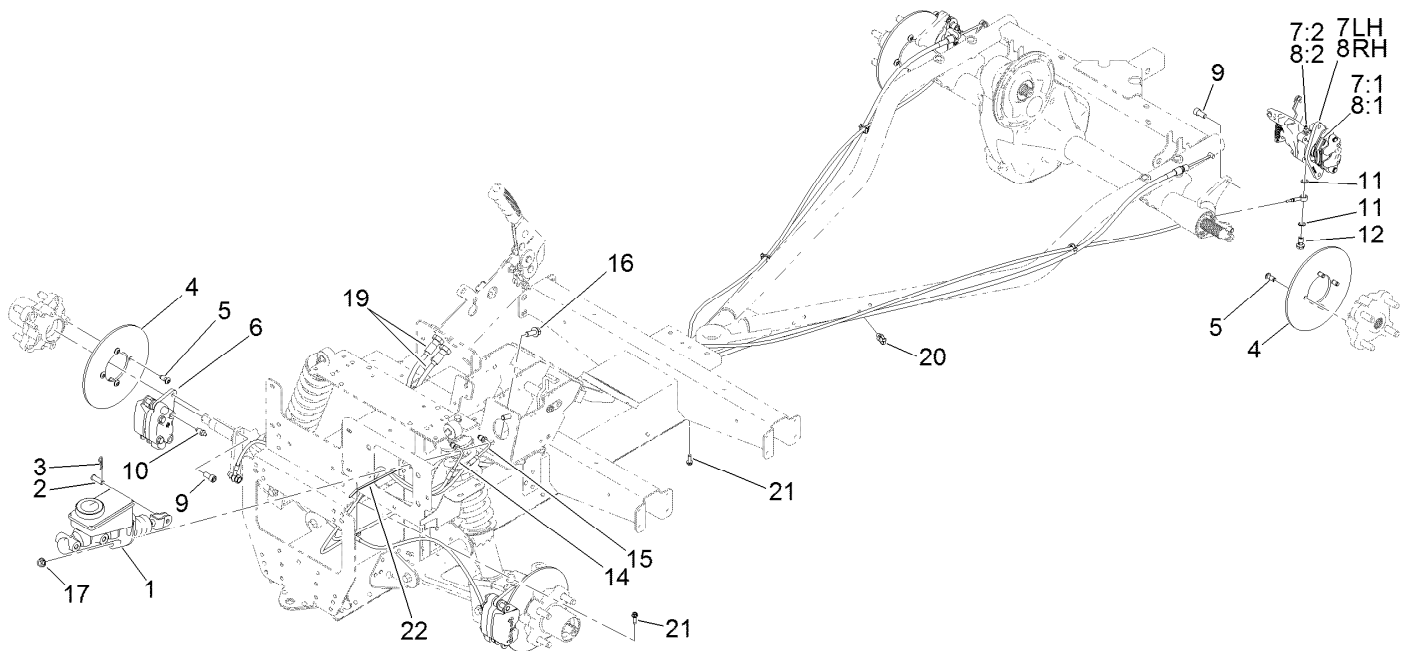
## Rear Frame and Suspension Assembly

Ref.	Part Number	Qty.	Description	Ref.	Part Number	Qty.	Description
1	131-8594	1	Rear Frame ASM	12	131-8595	1	Panel-Cover
1:2	115-2047	1	Decal-Surface, Hot	12:2	99-7345	1	Decal-Warning
2	127-7412-03	1	Bracket-Bar, Stabilizer	13	87-3890-03	2	Bracket-Bar, Sway
3	127-7411-03	1	Bracket-Bar, Stabilizer	14	87-4010-03	2	Clamp-Bar, Sway
4	3234-39	5	Screw-HHF	15	87-3910	2	Bushing-Rubber
5	104-8301	9	Nut-HF, NI	16	131-8310-03	1	Bar-Sway, Anti
6	3234-46	7	Screw-HHF	17	131-8394	2	Link-Bar, Sway
7	99-5107	11	Nut-Lock	18	3231-25	4	Bolt-CARR
8	109-5013	1	Panhard Rod ASM	19	131-8346	2	Panel-Side
8:2	109-5009	2	Bushing-Suspension, Rubber	20	125-9622	20	Rivet-Blind
8:3	109-5010	2	Spacer	21	3290-378	2	Tie-Cable
9	86-1990	6	Washer-Thrust	22	74-5950	2	Latch-Swell
10	131-8315	1	Bracket-Link, Sway Bar	25	137-6741	1	Ball Mount ASM
11	3234-40	4	Screw-HF	28	138-3528	1	Decal-Service



## Frame Mount and Rear Shock/Spring Assembly

<i>Ref.</i>	<i>Part Number</i>	<i>Qty.</i>	<i>Description</i>
1	3234-39	8	Screw-HHF
2	104-8301	8	Nut-HF, NI
3	3234-46	4	Screw-HHF
4	99-5107	4	Nut-Lock
5	131-3455	2	Shock/Spring ASM
5:1	131-8574	2	Isolator-Shock



## Brake Assembly

Ref.	Part Number	Qty.	Description	Ref.	Part Number	Qty.	Description
1	104-6782	1	Master Cylinder ASM	8:3	136-6328	2	Spring-Rattle, Anti ●
2	283-2	1	Pin-Clevis	9	131-8573	8	Screw-HSH
3	1-806003	1	Pin-Cotter	10	119-9509	2	Screw-Bleed
4	136-6295	4	Rotor-Brake	11	115-2341	8	Washer-Banjo
5	121-9671	16	Screw-HSBH	12	120-4875	4	Bolt-Flange, Banjo
6	127-7424	2	Brake Caliper ASM	14	127-7781	1	Brake Line-Front
7	131-8313	1	Caliper-Rear, LH	15	127-7782	1	Brake Line-Rear
7:1	131-8518	1	Pad Kit (Set Of 4)	16	3234-11	2	Screw-HHF
7:2	119-9509	1	Screw-Bleed	17	3290-357	2	Nut-HHF, Whiz
7:3	136-6328	2	Spring-Rattle, Anti ●	19	131-8406	2	Cable-Park Brake
8	131-8314	1	Caliper-Rear, RH	20	32180-030	4	Clip-Tie
8:1	131-8518	1	Pad Kit (Set Of 4)	21	49-2040	2	Screw-HWHTF
8:2	119-9509	1	Screw-Bleed	22	3290-378	1	Tie-Cable

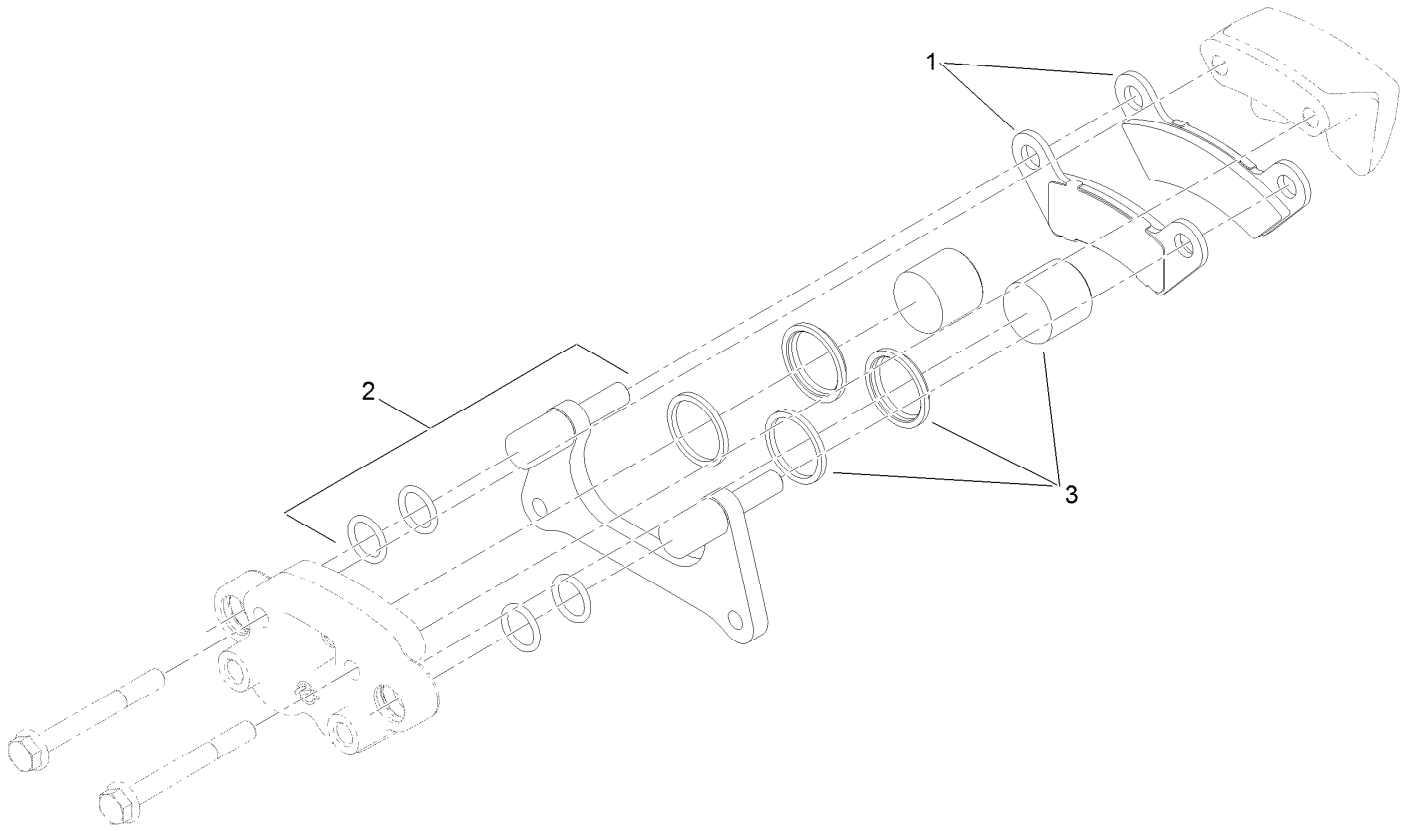
● Not illustrated





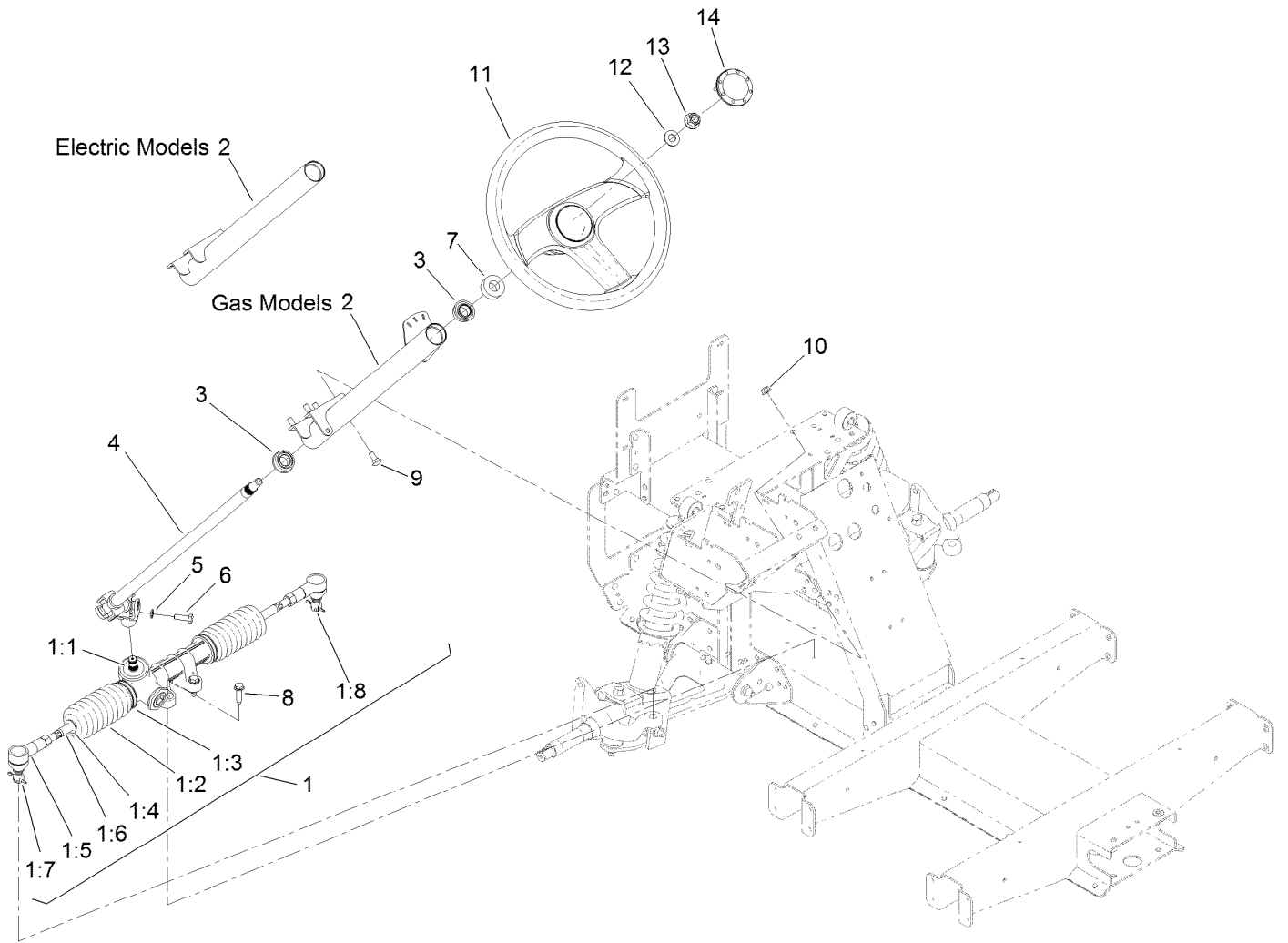
## Master Cylinder Assembly No. 104-6782

Ref.	Part Number	Qty.	Description
1	104-6845	1	Reservoir ASM
1:1	92-4112	1	Cap ASM
2	93-8971	2	Seal-Port, Flange
3	92-4103	1	Pin-Stop
4	92-4102	1	Secondary Piston ASM
5	92-4110	1	Clevis
6	21-0360	1	Nut-Hex
7	94-5209	1	Cover-Dust
8	94-5210	1	Rod-Push
9	92-4109	1	Ring-Snap
10	92-4108	1	Retainer-Washer
11	92-4101	1	Primary Piston ASM



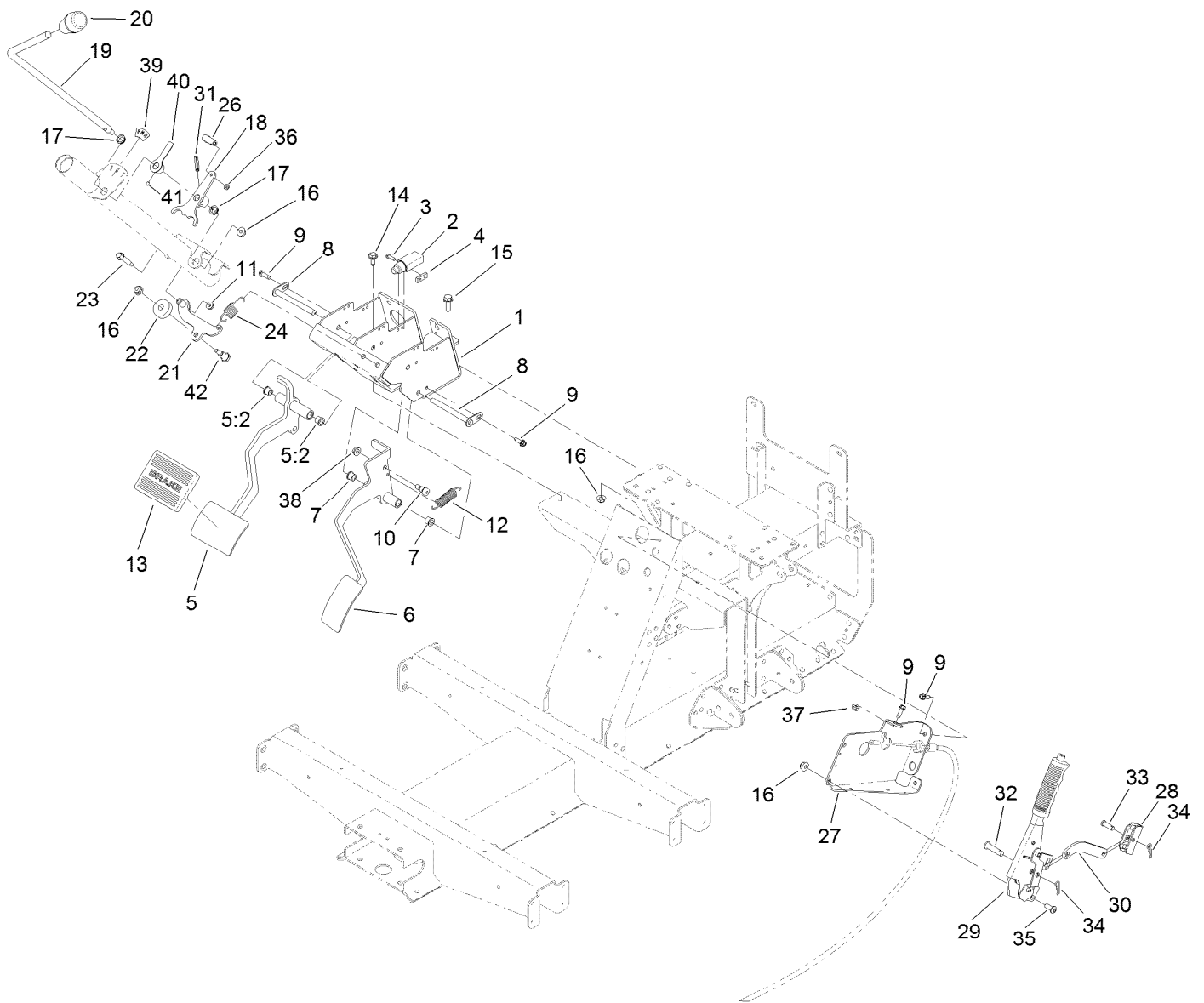
## Brake Caliper Assembly No. 127-7424

<i>Ref.</i>	<i>Part Number</i>	<i>Qty.</i>	<i>Description</i>
1	119-9510	1	Pads-Brake
2	119-9511	1	Bracket Kit
3	133-0614	1	Piston Kit



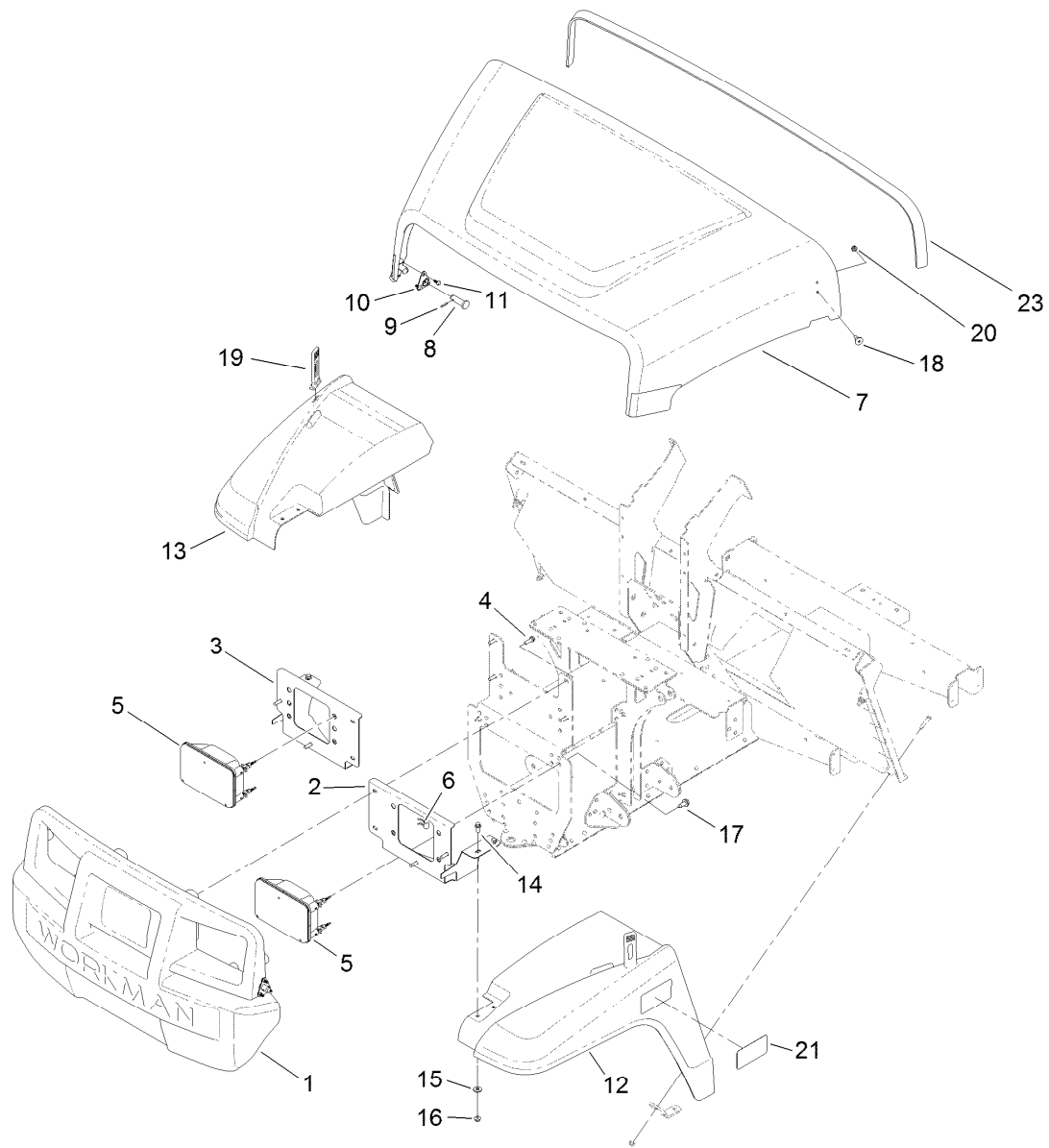
## Steering Assembly

<i>Ref.</i>	<i>Part Number</i>	<i>Qty.</i>	<i>Description</i>	<i>Ref.</i>	<i>Part Number</i>	<i>Qty.</i>	<i>Description</i>
1	127-8797	1	Steering Rack ASM	4	127-8804	1	Shaft-Steering
1:1	133-0607	1	Seal-Shaft	5	3253-4	1	Washer-Lock
1:2	133-0606	2	Bellows	6	116-3515	1	Screw-HH, Special
1:3	133-0605	2	Clamp-Bellows, Inner	7	21-9260	1	Cover-Dust
1:4	133-0604	2	Clamp-Bellows, Outer	8	32144-49	4	Screw-HWHTF
1:5	133-0602	2	End-Rod, Track	9	3230-1	4	Bolt-CARR
1:6	133-0601	2	Rod-Tie, Track	10	104-8300	4	Nut-HF, NI
1:7	3272-42	2	Pin-Cotter	11	131-0957	1	Wheel-Steering
1:8	137-9891	2	Nut-Slotted, Ball Joint	12	3256-26	1	Washer-Flat
2	137-2754	1	Steering Column ASM	13	99-5107	1	Nut-Lock
3	112-3262	2	Bearing	14	131-3630	1	Cap-Wheel, Steering



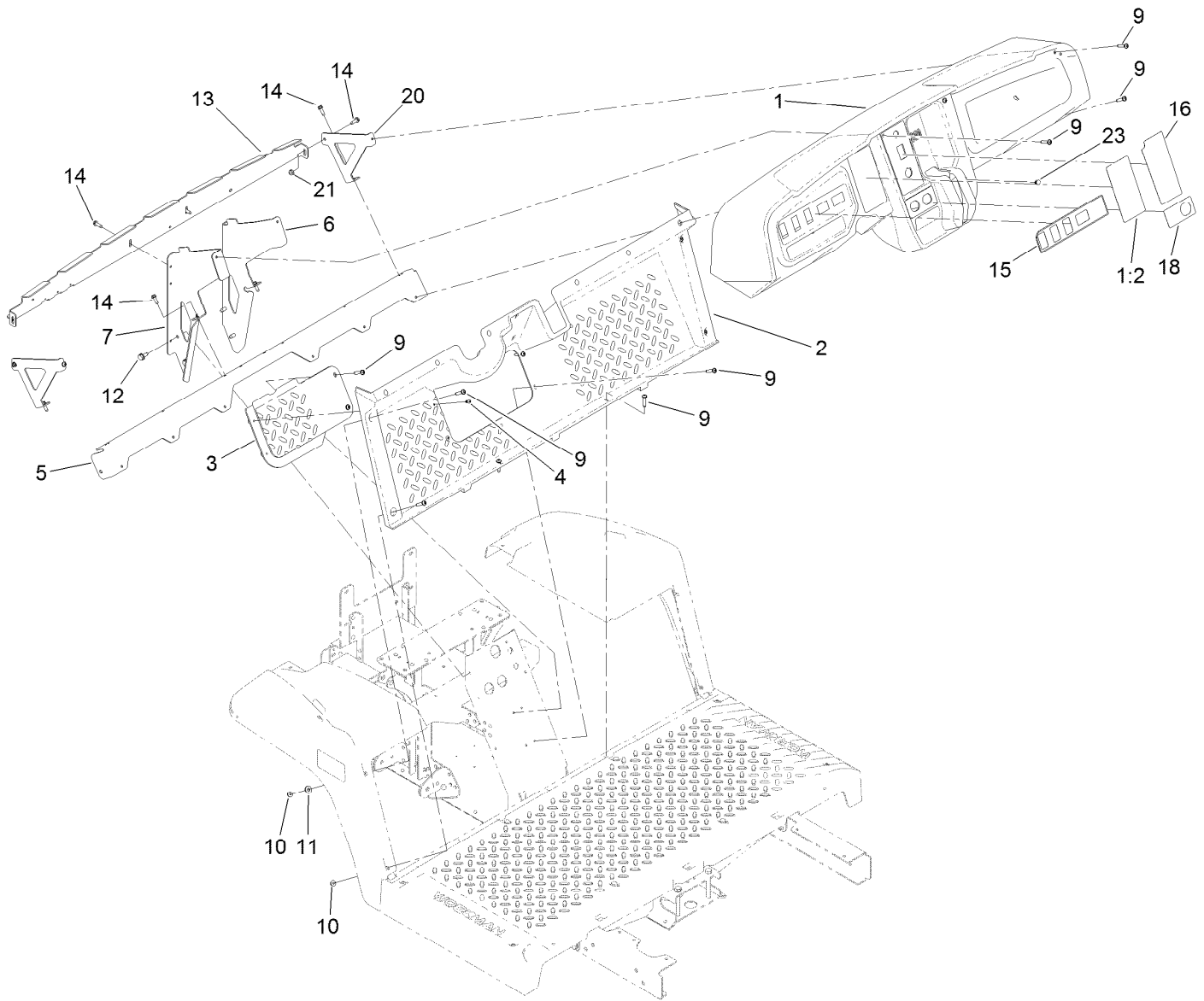
## Pedal and Control Assembly

Ref.	Part Number	Qty.	Description	Ref.	Part Number	Qty.	Description
1	127-8817-03	1	Mount-Pedal	21	133-7214	1	Arm-Detent
2	99-7407	1	Switch	22	133-7212	1	Bushing-Detent, Shift
3	3290-134	2	Screw	23	116-6876	1	Screw-Shoulder
4	1-633181	1	Plate-Tapped	24	131-8419	1	Spring-Extension
5	138-9385	1	Brake Pedal ASM	26	2411-38	1	Joint-Ball
5:2	256-116	2	Bushing-Flange	27	127-8834-03	1	Mount-Brake, Park
6	127-8819-03	1	Pedal-Accelerator	28	87-3480	1	Bracket-Equalizer, Cable
7	256-116	2	Bushing-Flange	29	131-8320	1	Lever-Brake, Park
8	131-8459	2	Shaft-Pivot	30	127-8836-03	1	Link-Brake, Park
9	49-2040	5	Screw-HWHTF	31	32121-9	1	Pin-Roll, Slotted
10	1-809056	1	Screw-HSH	32	283-10	1	Pin-Clevis
11	32128-33	1	Nut-HF	33	1-808280	1	Pin-Clevis
12	67-1450	1	Spring-Idler	34	1-806003	2	Pin-Cotter
13	7-3900	1	Pad-Brake	35	3274-55	2	Screw-HSBH
14	32144-70	2	Screw-HWHTF	36	3296-27	1	Nut-Lock, NI
15	3234-29	1	Screw-HHF	37	104-7201	1	Nut-HF
16	104-8300	5	Nut-HF, NI	38	32128-20	1	Nut-HF
17	110-3318	2	Bushing-Snap	39	131-8463	1	Decal-Shift
18	127-8833	1	Arm-Shift	40	131-8462-01	1	Indicator-Shift
19	127-8830	1	Shaft-Shifter	41	3245-20	1	Screw-HSH
20	131-8473	1	Knob-Tapered	42	613529	1	Screw-Shoulder



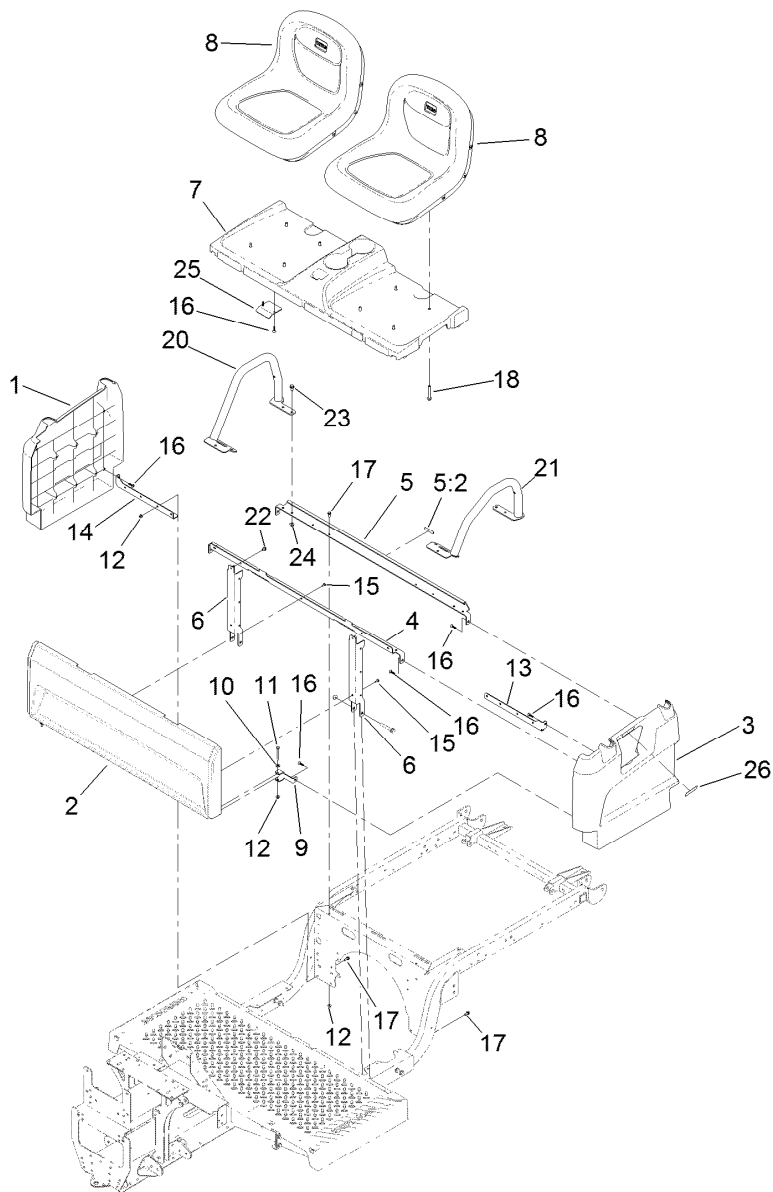
## Hood and Fender Assembly

<i>Ref.</i>	<i>Part Number</i>	<i>Qty.</i>	<i>Description</i>	<i>Ref.</i>	<i>Part Number</i>	<i>Qty.</i>	<i>Description</i>
1	132-8530	1	Bumper	12	127-7771	1	Fender-Front, LH
2	131-8455-03	1	Bracket-Headlight, LH	13	127-7772	1	Fender-Front, RH
3	131-8456-03	1	Bracket-Headlight, RH	14	3234-33	4	Screw-HHF
4	46-8091	8	Screw-HWH	15	3256-2	4	Washer-Flat
5	138-9260	2	Headlight ASM	16	104-7201	4	Nut-HF
6	115-2408	6	Clip-Speed	17	32144-70	2	Screw-HWHTF
7	136-6281	1	Hood	18	125-1122	2	Screw
8	117-5094	2	Pin-Clevis	19	131-8402	2	Strap-Down, Hold
9	32121-50	2	Pin-Spring	20	3296-56	2	Nut-Lock, NI
10	112-3308	2	Retainer-Pin	21	138-3527	2	Decal-Fender
11	121-9605	6	Screw-HWH	23	133-7210	1	Seal-Trim, Hood



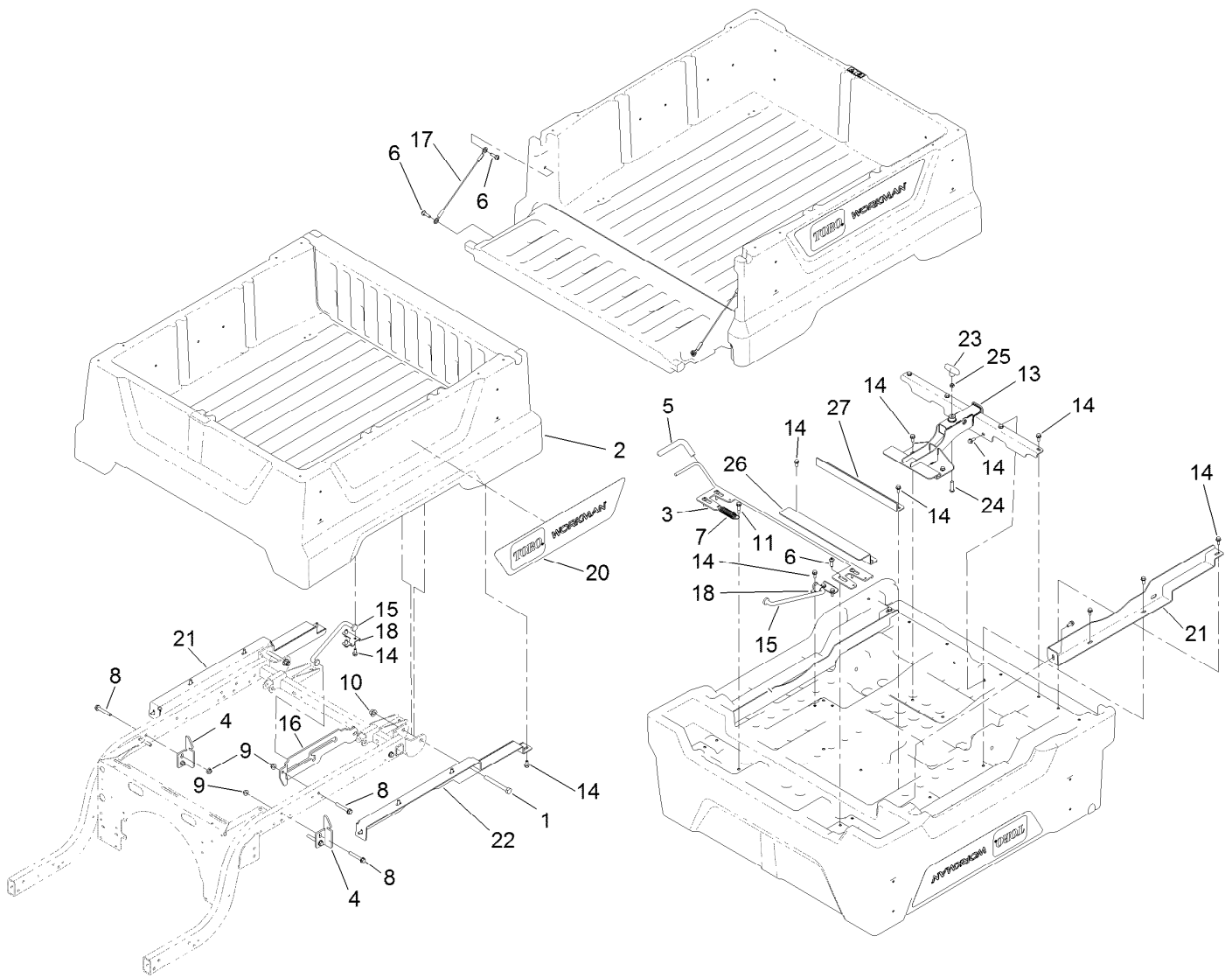
## Dash Assembly

<i>Ref.</i>	<i>Part Number</i>	<i>Qty.</i>	<i>Description</i>	<i>Ref.</i>	<i>Part Number</i>	<i>Qty.</i>	<i>Description</i>
1	131-8593	1	Dash	11	3256-2	2	Washer-Flat
1:2	131-8414	1	Decal-Danger	12	32144-70	4	Screw-HWHTF
2	127-7846	1	Footboard	13	131-8568-03	1	Reinforcement-Dash
3	127-7847	1	Cover-Footboard	14	49-2040	8	Screw-HWHTF
4	107-7461	2	Screw-Plastite	15	138-3524	1	Decal-Dashboard
5	127-7831-03	1	Angle	16	138-3397	1	Decal-Control Panel, EFI
6	131-8336-03	1	Bracket-Dash, RH	18	131-8493	1	Decal-USB
7	131-8335-03	1	Bracket-Dash, LH	20	131-8569-03	2	Bracket-Dash, Side
9	132-6777	20	Screw-TTH	21	104-7201	2	Nut-HF
10	104-7201	4	Nut-HF	23	104-9368	1	Plug-Dome



## Seatbase Assembly

<i>Ref.</i>	<i>Part Number</i>	<i>Qty.</i>	<i>Description</i>	<i>Ref.</i>	<i>Part Number</i>	<i>Qty.</i>	<i>Description</i>
1	127-7805	1	Side-Base, Seat (RH)	13	127-7842-03	1	Bracket-Support, Side (LH)
2	133-7188	1	Panel-Base, Seat	14	127-7843-03	1	Bracket-Support, Side (RH)
3	127-7807	1	Side-Base, Seat (LH)	15	112-6349	5	Screw-HWH
4	133-7345-03	1	Support-Seat	16	120-2349	12	Screw
5	137-6991	1	Seat Support ASM	17	3234-33	6	Screw-HHF
5:2	120-9570	1	Decal-Warning	18	33104-060	8	Screw-HHF
6	127-7841-03	2	Channel-Support, Seat	20	131-8352-05	1	Restraint-Hip, RH
7	127-7839	1	Base-Mount, Seat	21	131-8353-05	1	Restraint-Hip, LH
8	133-0577	2	Seat ASM	22	46-6810	2	Screw And Washer ASM
9	127-7844-03	2	Clamp-Plate, Floor	23	32144-70	6	Screw-HWHTF
10	3256-22	2	Washer-Flat	24	104-8300	6	Nut-HF, NI
11	321-18	2	Screw-HH	25	133-7167-03	2	Bracket-Hinge, Seat
12	104-7201	8	Nut-HF	26	131-8410	1	Decal-Danger, Fuel

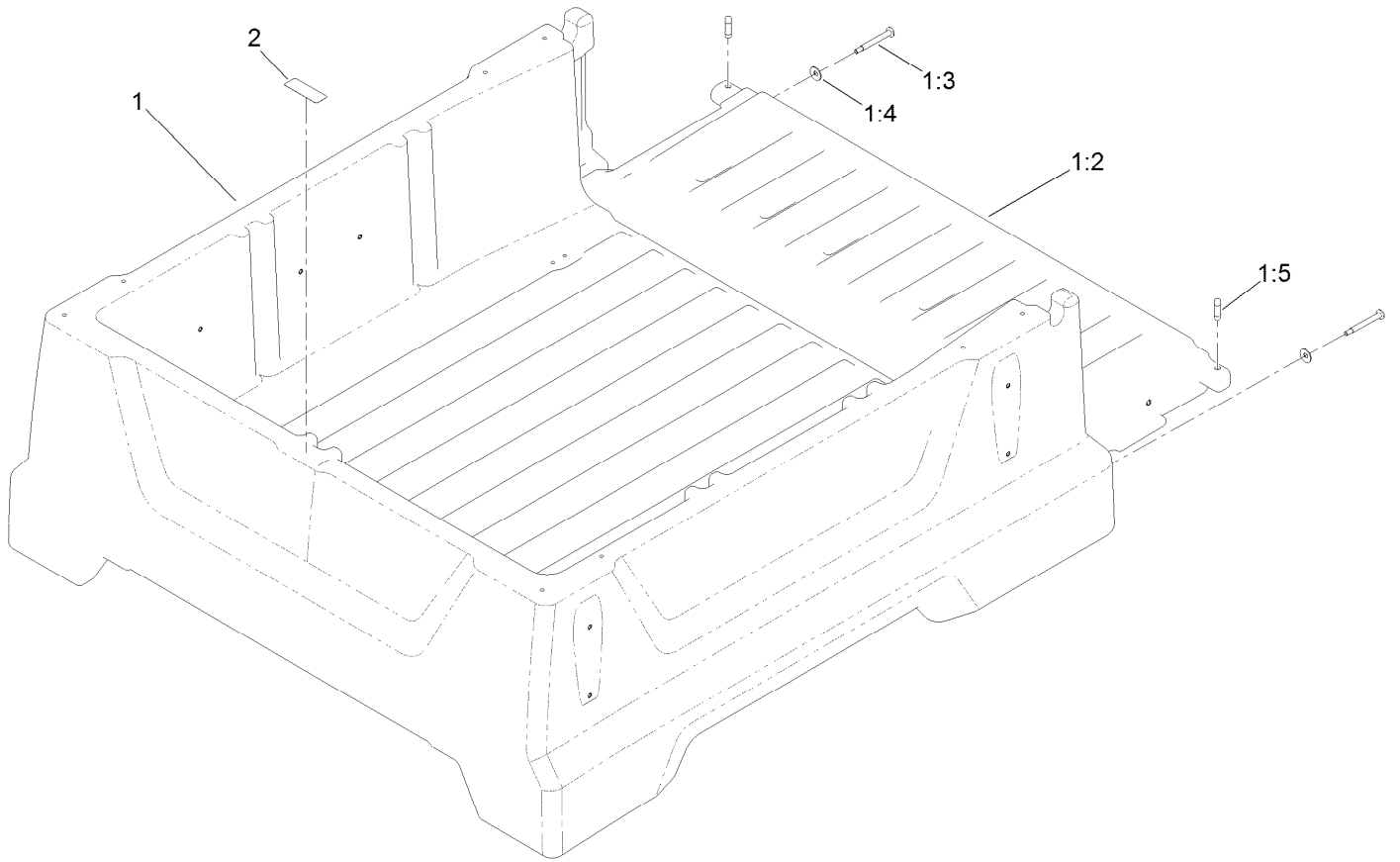


## Cargo Bed Assembly

<i>Ref.</i>	<i>Part Number</i>	<i>Qty.</i>	<i>Description</i>
1	325-18	2	Screw-HH
2	131-8592	1	Cargo Bed And Tailgate ASM
3	132-8524	1	Latch
4	127-7428-03	2	Striker-Latch, Bed
5	132-8515	1	Grip-Handle
6	119-2267	8	Screw-Shoulder, BHTF
7	106-5598	1	Spring-Extension
8	3234-39	6	Screw-HHF
9	104-8301	6	Nut-HF, NI
10	99-5107	2	Nut-Lock
11	116-8607	1	Screw-Shoulder
13	132-8523-03	1	Attachment-Quick, Class 1

<i>Ref.</i>	<i>Part Number</i>	<i>Qty.</i>	<i>Description</i>
14	3234-5	25	Screw-HHF
15	132-8517	1	Rod-Prop
16	132-8518	1	Bracket-Rod, Prop
17	121-6343	2	Lanyard-Tailgate
18	132-0839	1	Bracket-U, Prop Rod
20	132-8538	2	Decal-Workman
21	133-3042-03	1	Support-Cargo Bed, RH
22	133-3043-03	1	Support-Cargo Bed, LH
23	133-3056	1	Handle-T
24	95-3857	1	Screw-HSBH
25	3218-3	1	Nut-Jam
26	133-3099-03	1	Brace-Bed, Extended
27	132-8526-03	1	Brace-Middle, Bed

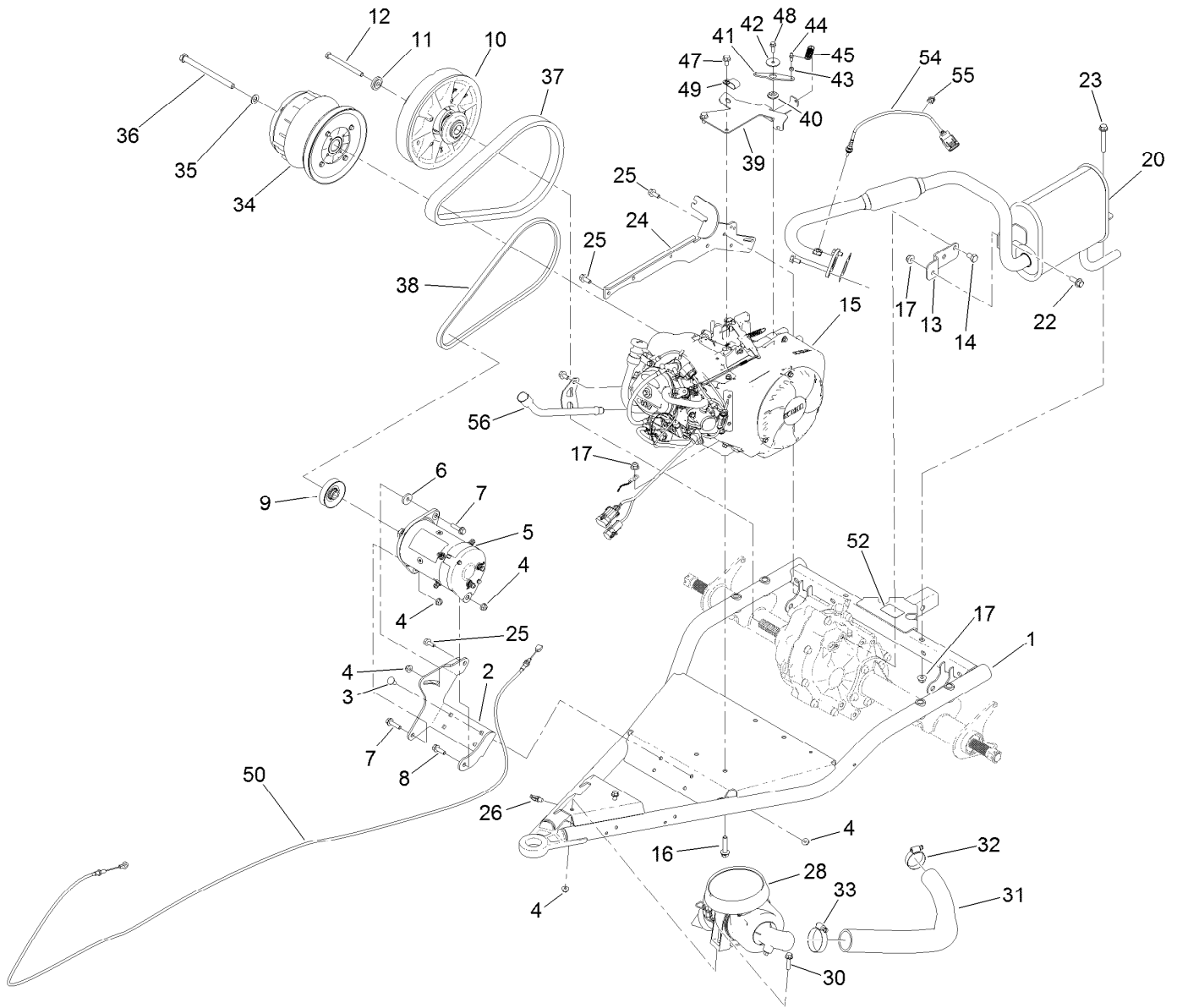




## Cargo Bed and Tailgate Assembly No. 131-8592

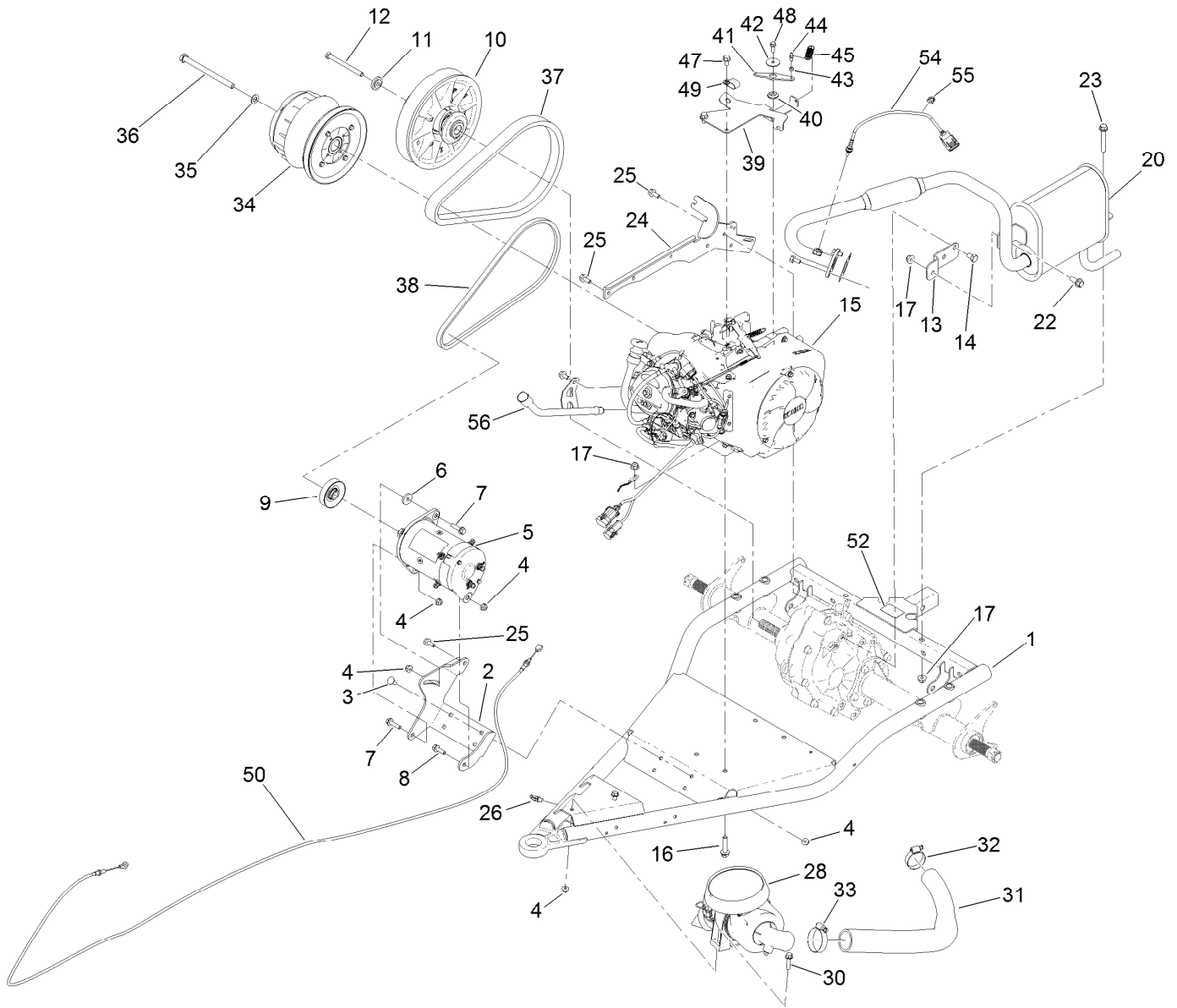
<i>Ref.</i>	<i>Part Number</i>	<i>Qty.</i>	<i>Description</i>
1		1	Cargo Bed And Tailgate ASM ●
1:2	132-0841	1	Tailgate
1:3	133-7100	2	Screw-Shoulder, Bh (Torx)
1:4	3290-456	2	Washer-Belleville
1:5	133-7146	2	Plug-Tailgate, Anti-Rattle
2	115-7739	1	Decal-No Riders

● Not serviced separately



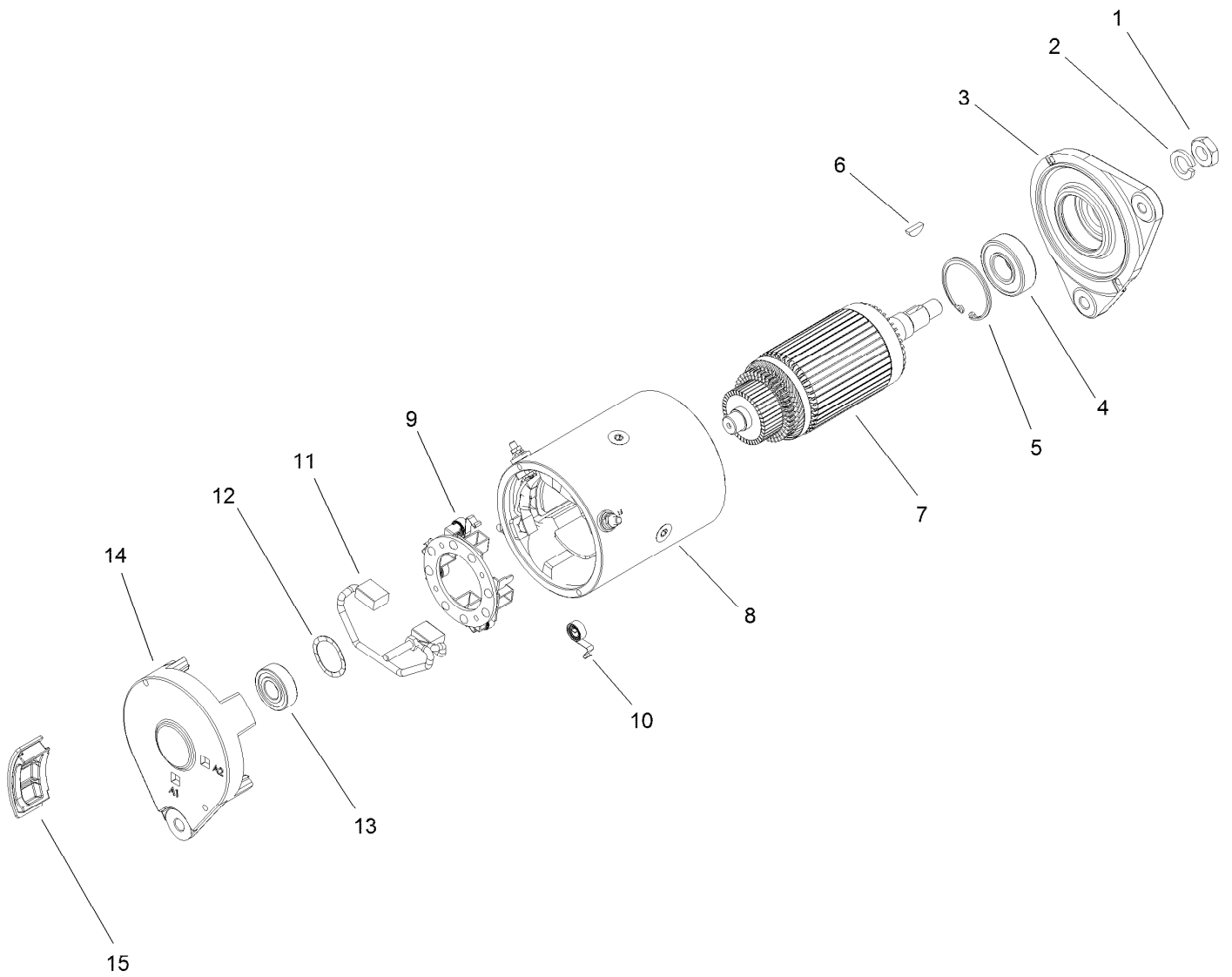
## Engine Assembly

Ref.	Part Number	Qty.	Description	Ref.	Part Number	Qty.	Description
1	131-8520-03	1	Arm-Swing	25	95-4184	6	Screw-HHF
2	131-8503-03	1	Bracket-Starter/Generator	26	32180-030	1	Clip-Tie
3	3230-23	4	Screw-CARR	28	138-3447	1	Air Cleaner ASM
4	104-8300	9	Nut-HF, NI	30	3234-36	2	Screw-HHF
5	131-8444	1	Starter/Generator ASM	31	131-8489	1	Hose-Intake, Air
6	65-8270	1	Washer	32	2412-111	1	Clamp
7	119-4036	2	Screw-HHF	33	2412-92	1	Clamp-Hose
8	3234-29	1	Screw-HHF	34	138-0095	1	Primary Clutch ASM
9	121-6277	1	Pulley-Drive	35	3256-25	1	Washer-Flat
10	119-6011	1	Secondary Clutch ASM	36	131-8521	1	Screw-HH
11	104-6563	1	Washer-Stepped	37	131-8567	1	Belt-Variable
12	119-0723	1	Screw-HH, Lock	38	94-8803	1	V-Belt, Impeller
13	131-8329	1	Bracket-Muffler	39	131-8505	1	Bracket-Throttle
14	70-8470	2	Screw-HH	40	131-8524	1	Bushing-Flange
15	137-9893	1	Engine-Kohler, Ech440	41	131-8504	1	Lever-Throttle
16	3234-19	4	Screw-HHF	42	3256-55	1	Washer-Frotte
17	104-8301	6	Nut-HF, NI	43	110-2619	1	Keeper-Spring
20	138-9275	1	Exhaust ASM	44	99-7847	1	Ball-Stud
22	3234-42	1	Screw-HHF	45	71-5470	1	Spring-Brake
23	3234-39	1	Screw-HHF	47	33104-016	2	Screw-HHF
24	131-8501-03	1	Bar-Spanner	48	33103-020	1	Screw-HHF



## Engine Assembly (continued)

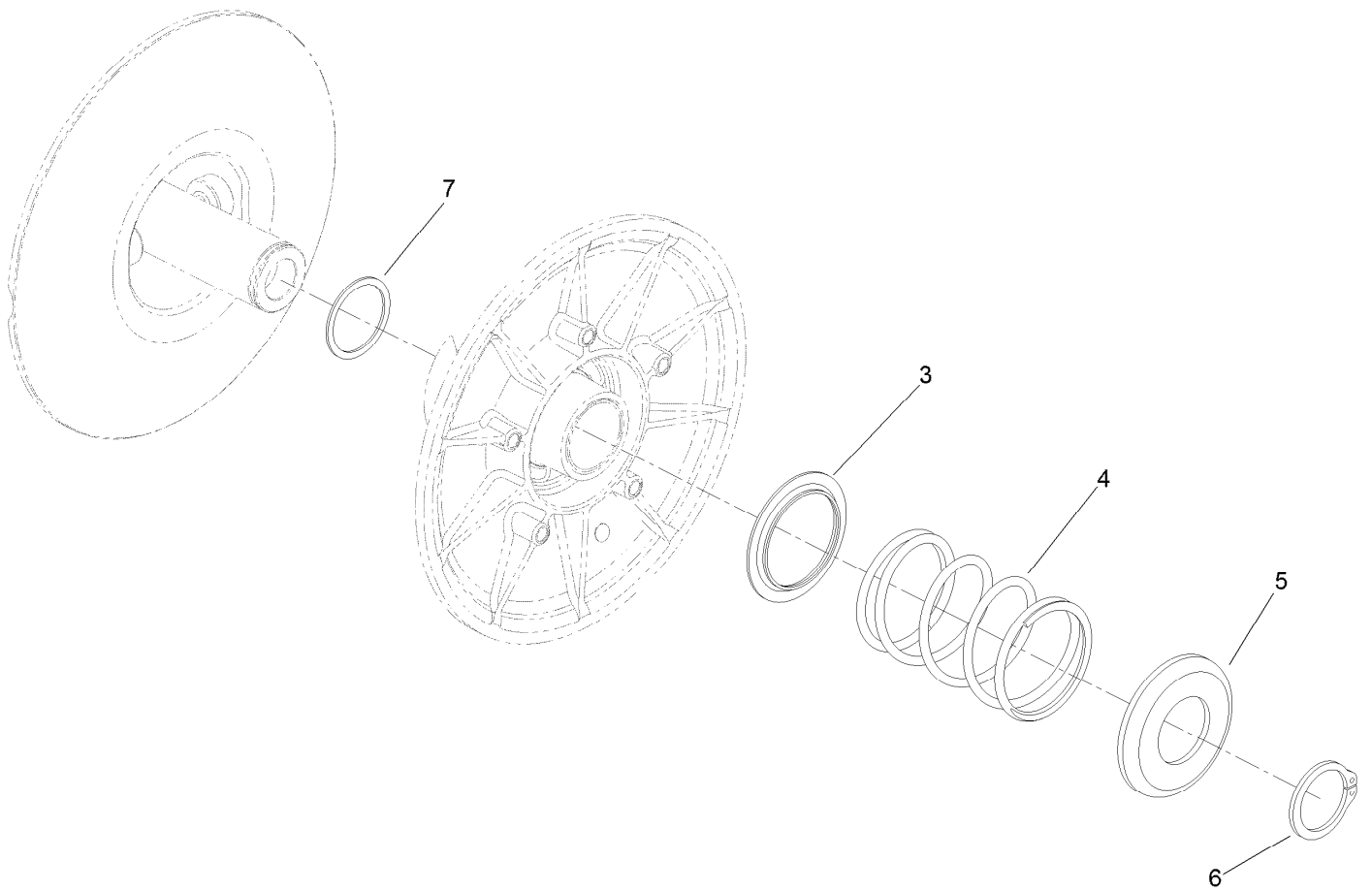
<i>Ref.</i>	<i>Part Number</i>	<i>Qty.</i>	<i>Description</i>	<i>Ref.</i>	<i>Part Number</i>	<i>Qty.</i>	<i>Description</i>
49	2412-105	1	Clamp-Tube, Double	54	136-6348	1	Sensor-O2
50	127-8860	1	Cable-Accelerator	55	32180-226	1	Clip-Edge, Parallel W/Tie
52	137-9984	1	Decal-Load, Towing	56	138-9383	1	Dip Stick Tube ASM



## Starter Generator Assembly No. 131-8444

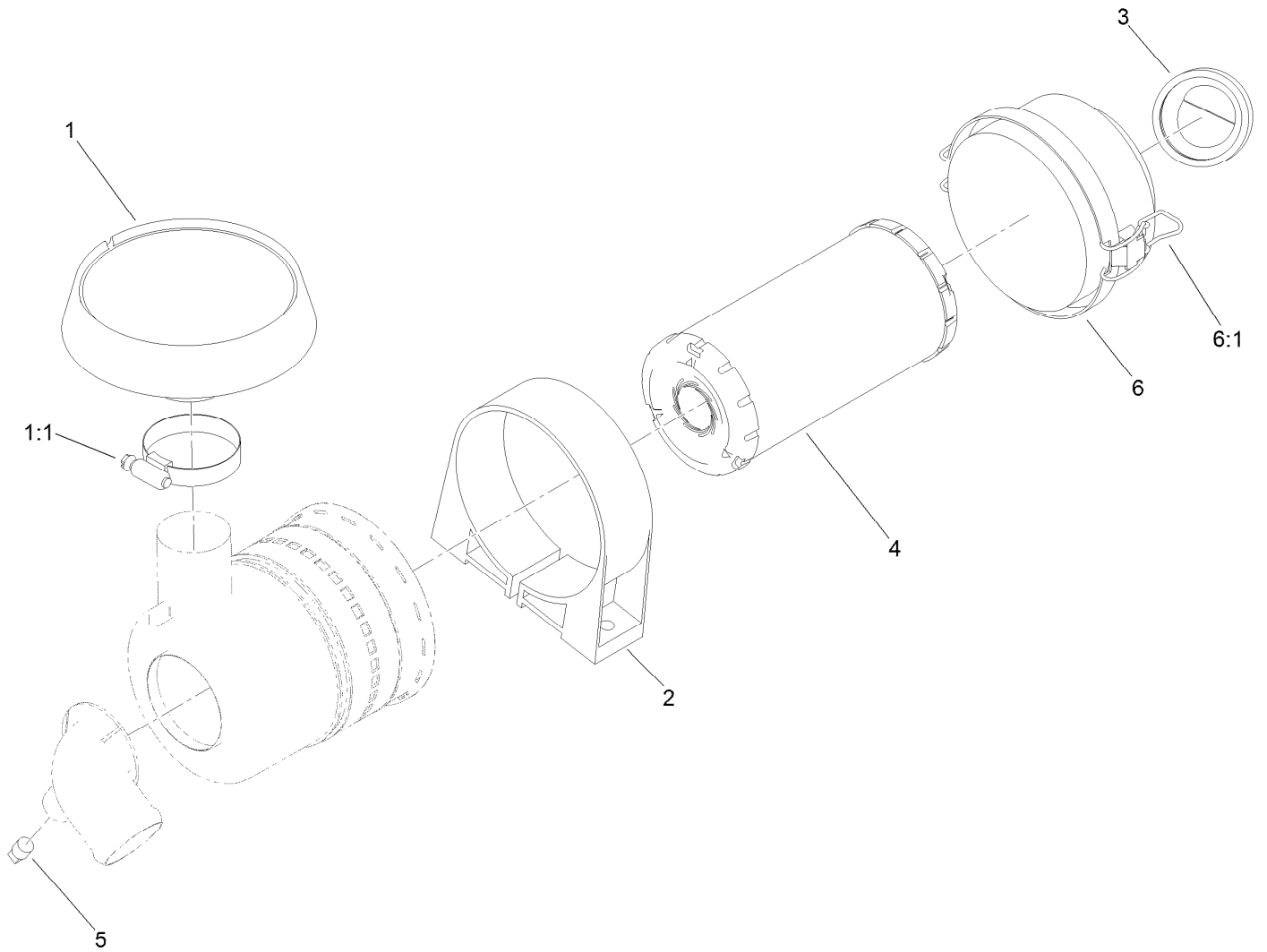
Ref.	Part Number	Qty.	Description
1	119-9651	1	Nut
2	119-9652	1	Washer-Lock
3	133-0599	1	Head-Drive End
4	119-9655	1	Bearing
5	119-9656	1	Ring-Retaining
6	119-9657	1	Key-Woodruff
7	119-9658	1	Armature ASM
8		1	Frame And Field Assembly ●
9	119-9661	1	Brush Box ASM
10	119-9660	4	Spring-Brush
11	119-9659	1	Brush Lead And Terminal Service Kit
12	119-9662	1	Washer-Wave
13	119-9663	1	Bearing
14		1	Head-End, Cummutator ●
15	133-0600	4	Plug-Rubber

● Not serviced separately



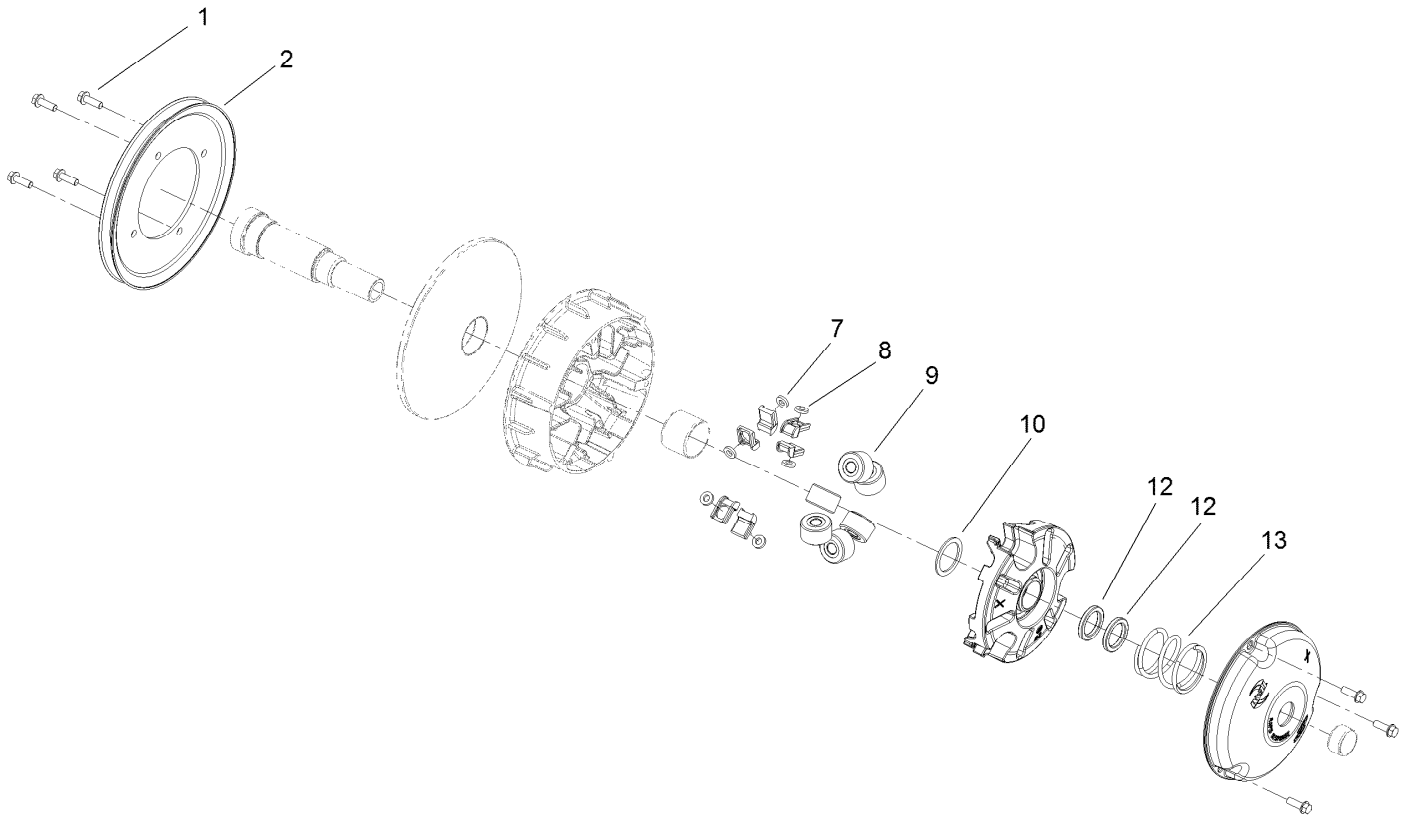
## Secondary Clutch Assembly No. 119-6011

<i>Ref.</i>	<i>Part Number</i>	<i>Qty.</i>	<i>Description</i>
3	119-0809	1	Cup-Spring Retainer, Inner
4	119-9360	1	Spring-Compression, Black/Almond
5	119-0810	1	Cup-Spring Retainer, Outer
6	119-0811	1	Ring-Retaining
7	119-6018	1	Shim-Thrust



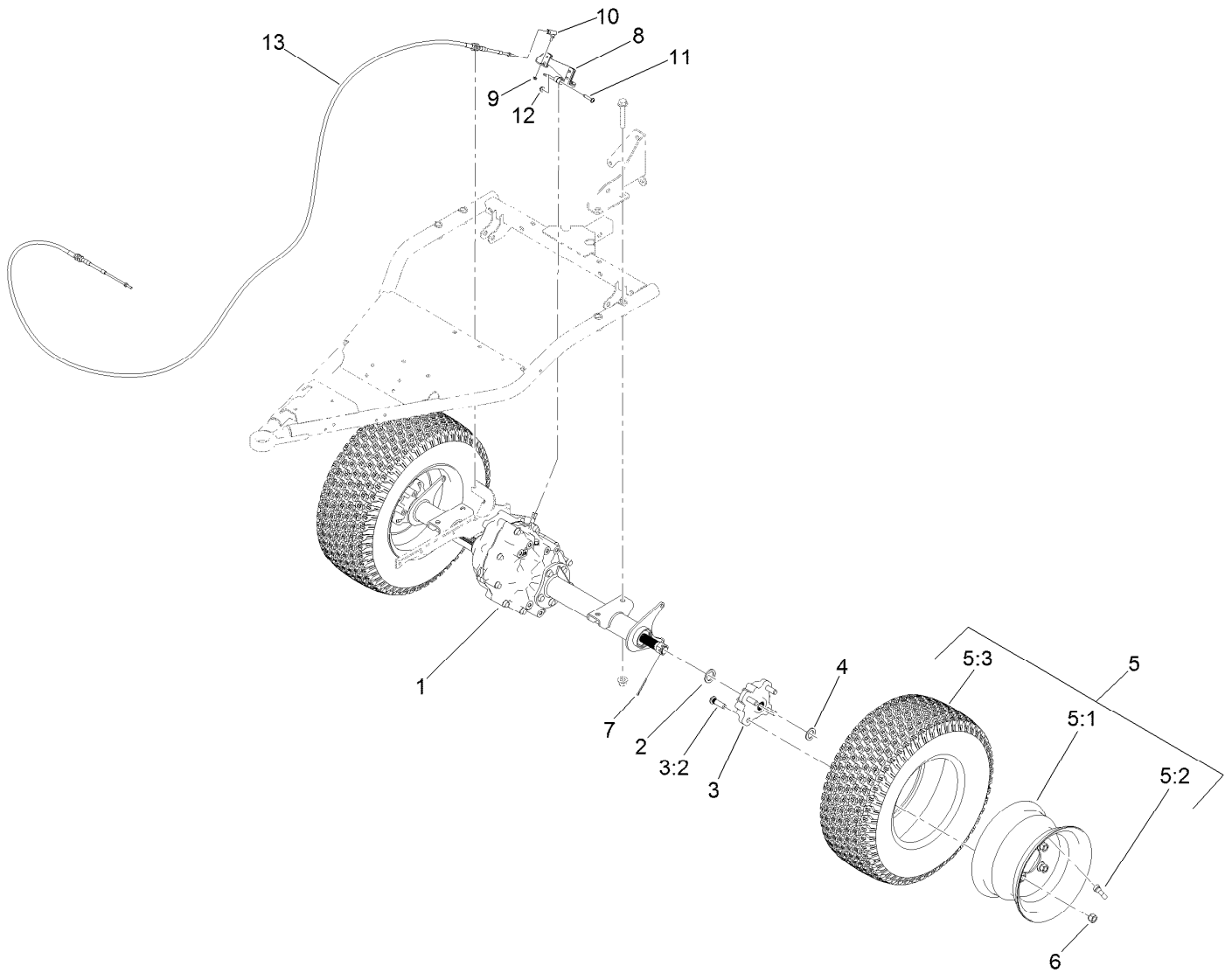
## Air Cleaner Assembly No. 138-3447

<i>Ref.</i>	<i>Part Number</i>	<i>Qty.</i>	<i>Description</i>
1	136-7859	1	Rain Cap Kit
1:1	1-643009	1	Clamp-Hose
2	95-5806	1	Bracket-Mounting, Air Cleaner
3	87-9400	1	Valve-Vacuator
4	108-3811	1	Filter-Air
5	281-7	1	Cap-Pipe
6	94-3652	1	Cover ASM
6:1	1-643283	2	Latch-Cleaner, Air



## Primary Clutch Assembly No. 138-0095

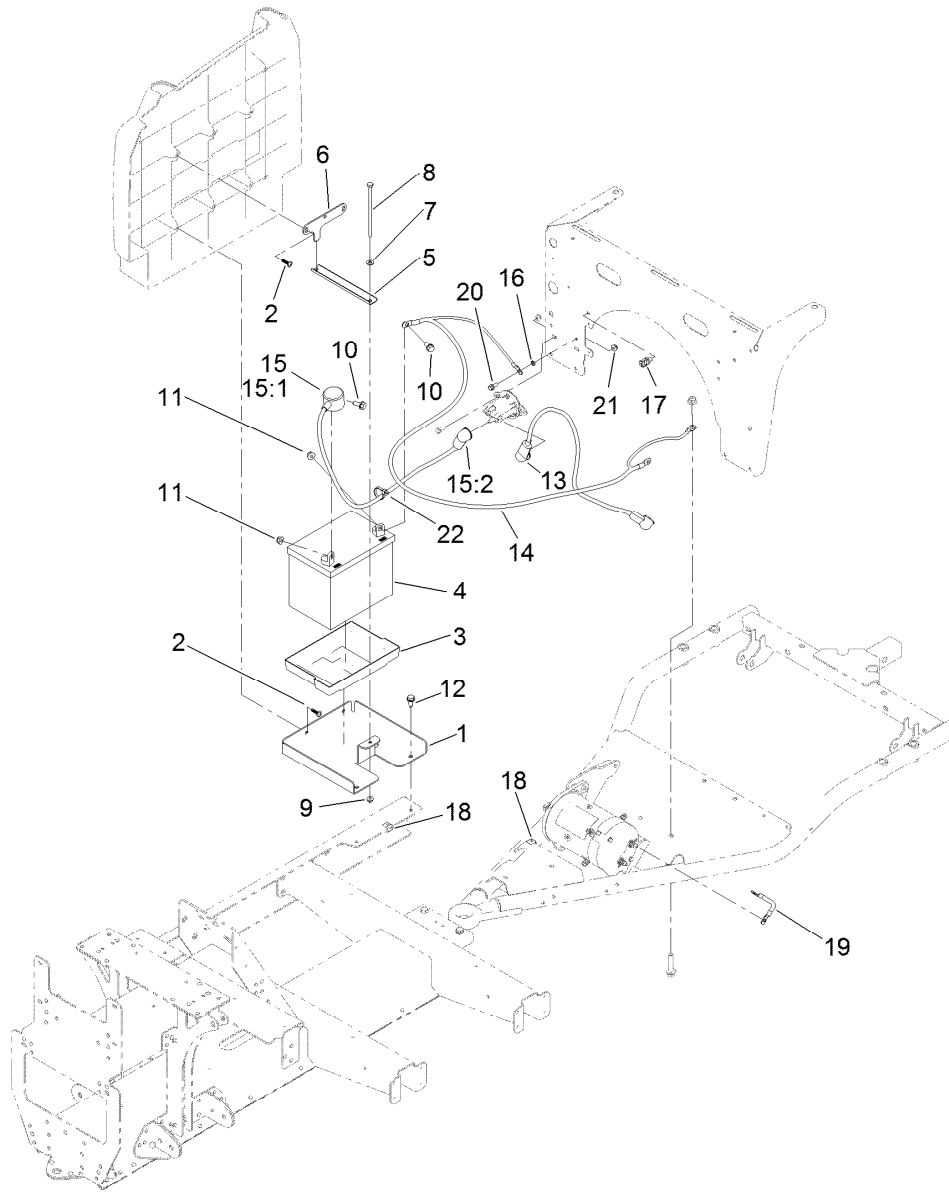
<i>Ref.</i>	<i>Part Number</i>	<i>Qty.</i>	<i>Description</i>
1	49-2040	7	Screw-HWHTF
2	119-0813	1	Pulley-Primary
7	127-8689	6	Button-Primary, Torque
8	127-8690	6	Plug-Button, Torque
9	119-0804	6	Weight-Roller
10	119-0812	1	Shim-Spider
12	119-0807	2	Shim-Limiter
13	119-9532	1	Spring-Red/White



## Rear Wheel and Transaxle Assembly

Ref.	Part Number	Qty.	Description	Ref.	Part Number	Qty.	Description
1	131-3486	1	Transaxle	6	242-50	8	Nut-Lug
2	131-8570	2	Spacer-Hardened	7	1-806800	2	Pin-Cotter
3	127-8848	2	Rear Hub ASM	8	133-7260-03	1	Arm-Shift
3:2	10-6830	4	Stud-Type, Drive	9	3296-27	1	Nut-Lock, NI
4	3-7898	2	Washer-Thrust	10	2411-38	1	Joint-Ball
5	139-4495	2	Wheel And Tire ASM	11	132-6777	1	Screw-TTH
5:1	131-8317	1	Wheel	12	104-7201	1	Nut-HF
5:2	232-27	1	Stem-Valve	13	127-8897	1	Cable-Shift
5:3	139-4475	1	Tire-20 X 8.00-10				



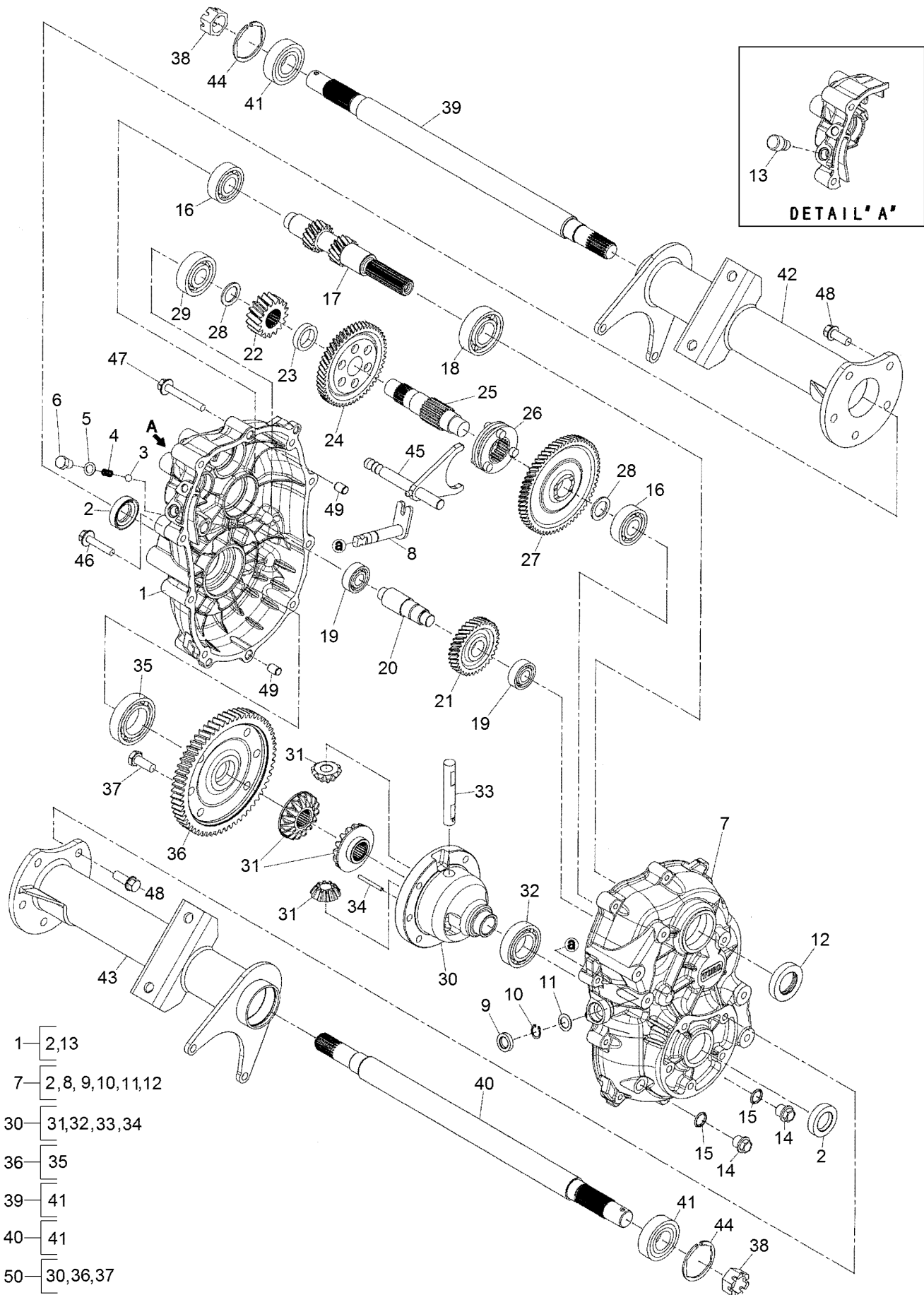


## Battery and Cable Assembly

<i>Ref.</i>	<i>Part Number</i>	<i>Qty.</i>	<i>Description</i>	<i>Ref.</i>	<i>Part Number</i>	<i>Qty.</i>	<i>Description</i>
1	127-7810-03	1	Base-Battery	15	109-7621	1	Positive Battery Cable ASM
2	120-2349	4	Screw	15:1	1-543393	1	Insulator-Solenoid
3	106948	1	Tray-Battery	15:2	109-2407	1	Insulator-Battery
4	104-8162	1	Battery	16	3255-7	1	Washer-Lock/EXT
5	127-7816-03	1	Channel-Clamp, Battery	17	32180-030	1	Clip-Tie
6	127-7814-03	1	Plate-Clamp, Battery	18	32180-082	3	Clip-Edge W/Tie, Perpendicular
7	3256-22	1	Washer-Flat	19	122-1176	1	Cable-Battery, Negative
8	321-47	1	Screw-HH	20	3234-33	1	Screw-HHF
9	104-7201	1	Nut-HF	21	104-7201	1	Nut-HF
10	3234-5	2	Screw-HHF	22	3290-378	1	Tie-Cable
11	104-8300	2	Nut-HF, NI	99	107-0392	1	Protection-Terminal, Aerosol ●
12	32144-70	2	Screw-HWHTF				
13	122-0639	1	Cable-Battery, Positive				
14	122-0638	1	Cable-Battery, Negative				

● Not illustrated

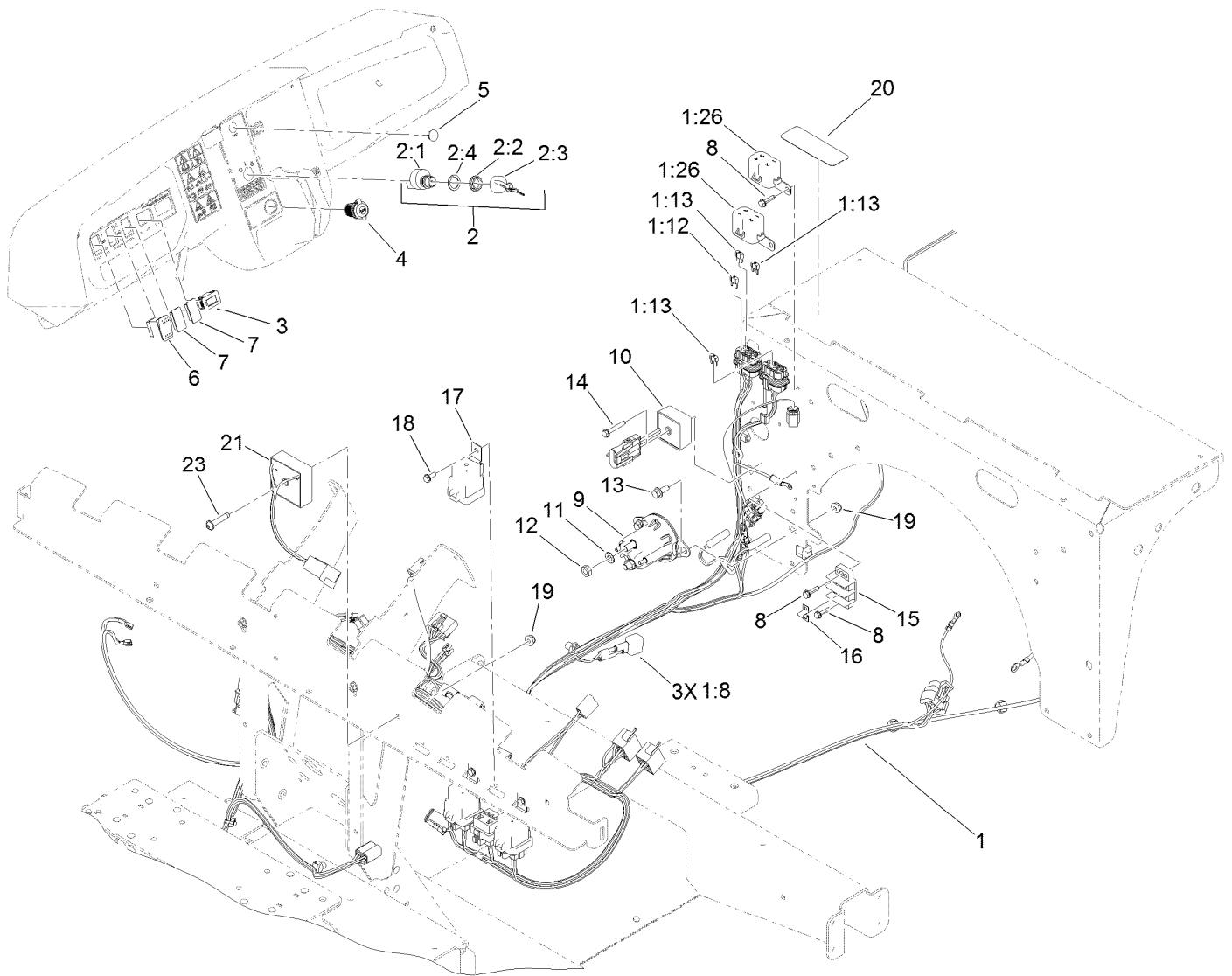
# Transaxle Assembly No. 131-3486



- 1 — 2,13
- 7 — 2,8,9,10,11,12
- 30 — 31,32,33,34
- 36 — 35
- 39 — 41
- 40 — 41
- 50 — 30,36,37

## Transaxle Assembly No. 131-3486 (continued)

<i>Ref.</i>	<i>Part Number</i>	<i>Qty.</i>	<i>Description</i>	<i>Ref.</i>	<i>Part Number</i>	<i>Qty.</i>	<i>Description</i>
1	133-2400	1	Case-LH	26	133-2419	1	Clutch-Pin
2	133-2401	2	Seal-Oil	27	133-2420	1	Gear
3	104-1660	1	Ball-Steel	28	133-2421	2	Spacer
4	104-1661	1	Spring	29	133-2422	1	Bearing-Ball
5	104-1662	1	Gasket	30	133-2423	1	Case-Differential
6	104-1663	1	Bolt	31	133-2424	1	Set-Gear, Differential
7	133-2402	1	Case-RH	32	133-2425	1	Bearing-Ball
8	133-2403	1	Shaft-Select	33	104-1644	1	Shaft-Differential
9	133-2446	1	Seal-Oil	34	104-1645	1	Pin
10	133-2404	1	Ring-Snap	35	133-2426	1	Bearing-Ball
11	133-2405	1	Spacer	36	133-2427	1	Gear
12	104-1607	1	Seal-Oil	37	104-1649	6	Bolt
13	133-2406	1	Breather-Air	38	133-2428	2	Nut-Castle
14	133-2407	2	Plug-Drain, Oil	39	133-2429	1	Shaft-Axle, LH
15	133-2408	2	Gasket	40	133-2430	1	Shaft-Axle, RH
16	133-2409	2	Bearing-Ball	41	133-2431	2	Bearing-Ball
17	133-2410	1	Shaft-Input	42	133-2432	1	Case-Axle, LH
18	133-2411	1	Bearing-Ball	43	133-2433	1	Case-Axle, RH
19	133-2412	2	Bearing-Ball	44	133-2434	2	Ring-Snap
20	133-2413	1	Shaft-Counter	45	133-2435	1	Shaft-Shift
21	133-2414	1	Gear	46	133-2436	1	Bolt-Flange
22	133-2415	1	Gear	47	133-2437	9	Bolt-Flange
23	133-2416	1	Collar	48	133-2438	10	Bolt-Flange
24	133-2417	1	Gear	49	133-2439	2	Pipe-Knock
25	133-2418	1	Shaft-Center	50	133-2440	1	Differential ASM

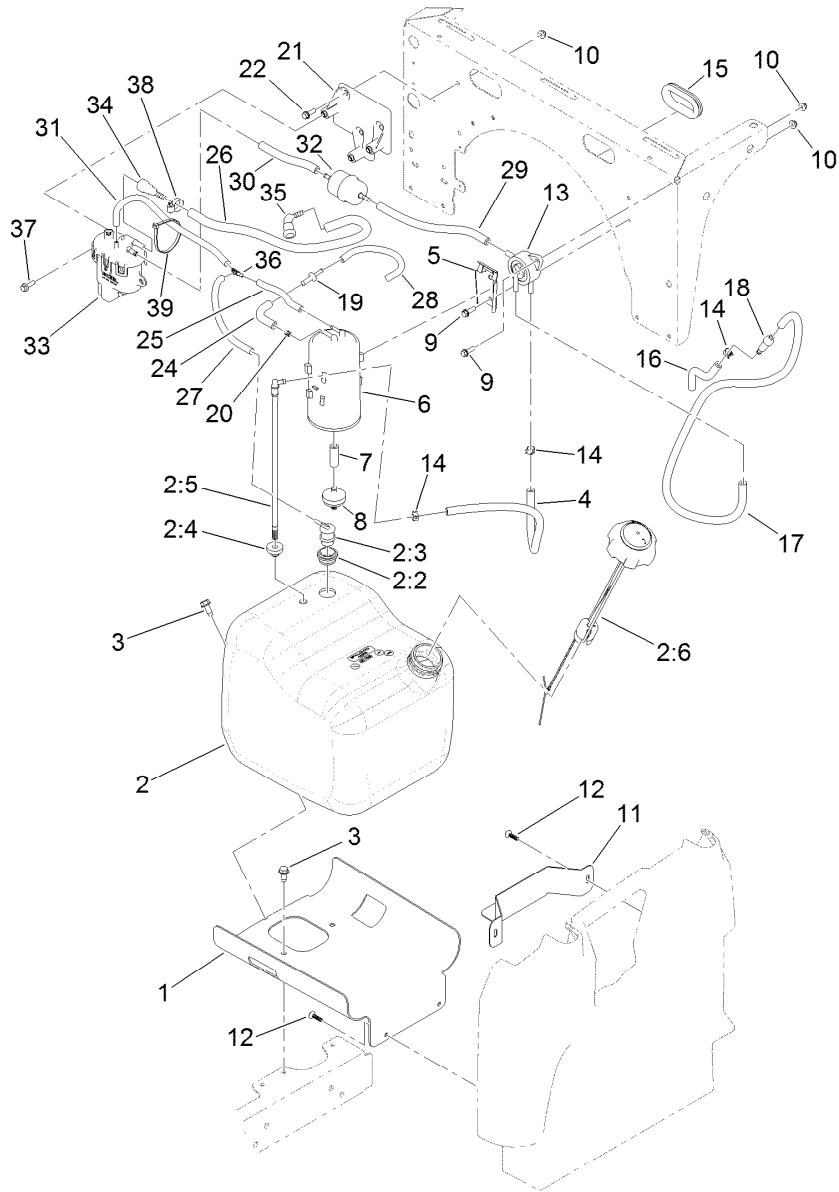


## Electrical Assembly

Ref.	Part Number	Qty.	Description	Ref.	Part Number	Qty.	Description
1	122-1473	1	Harness-Wire, Main	7	99-7420	2	Plug-Hole
1:8	100-4918	3	Diode	8	100-4351	5	Screw-HWH
1:12	121-8867	1	Fuse-Mini Blade, 15 Amp	9	114-3315	1	Solenoid
1:13	121-8866	3	Fuse-Mini Blade, 10 Amp	10	119-9492	1	Regulator-Voltage
1:14	32160-093	1	Connector-Mp280, 2M ●	11	3255-8	2	Washer-Lock
1:23	32180-056	1	Cap ●	12	3220-2	2	Nut-Jam
1:24	32180-156	1	Cap-Plug, 6 Way ●	13	3234-33	2	Screw-HHF
1:26	32180-179	2	Cover-Bussman	14	100-4352	1	Screw-HWH
2	122-1145	1	Ignition Switch ASM	15	42862	1	Block-Terminal, Ground
2:1		1	Switch-Ignition ■	16	42863	1	Strip-Jumper
2:2	108-8660	1	Nut-Mounting	17	99-7430	3	Relay-Mini
2:3	106-5270	1	Ignition Key Set	18	32144-1	3	Screw-Taptite
2:4	108-8659	1	Washer-Backup	19	104-7201	4	Nut-HF
3	120-2244	1	Hourmeter	20	139-3340	1	Decal-Fuse Block, EFI
4	131-8388	1	Socket-USB	21	138-0085	1	Timer-Delay, 30 Sec (1 Amp)
5	94-5627	1	Plug	23	132-6777	1	Screw-TTH
6	95-8999	1	Switch				

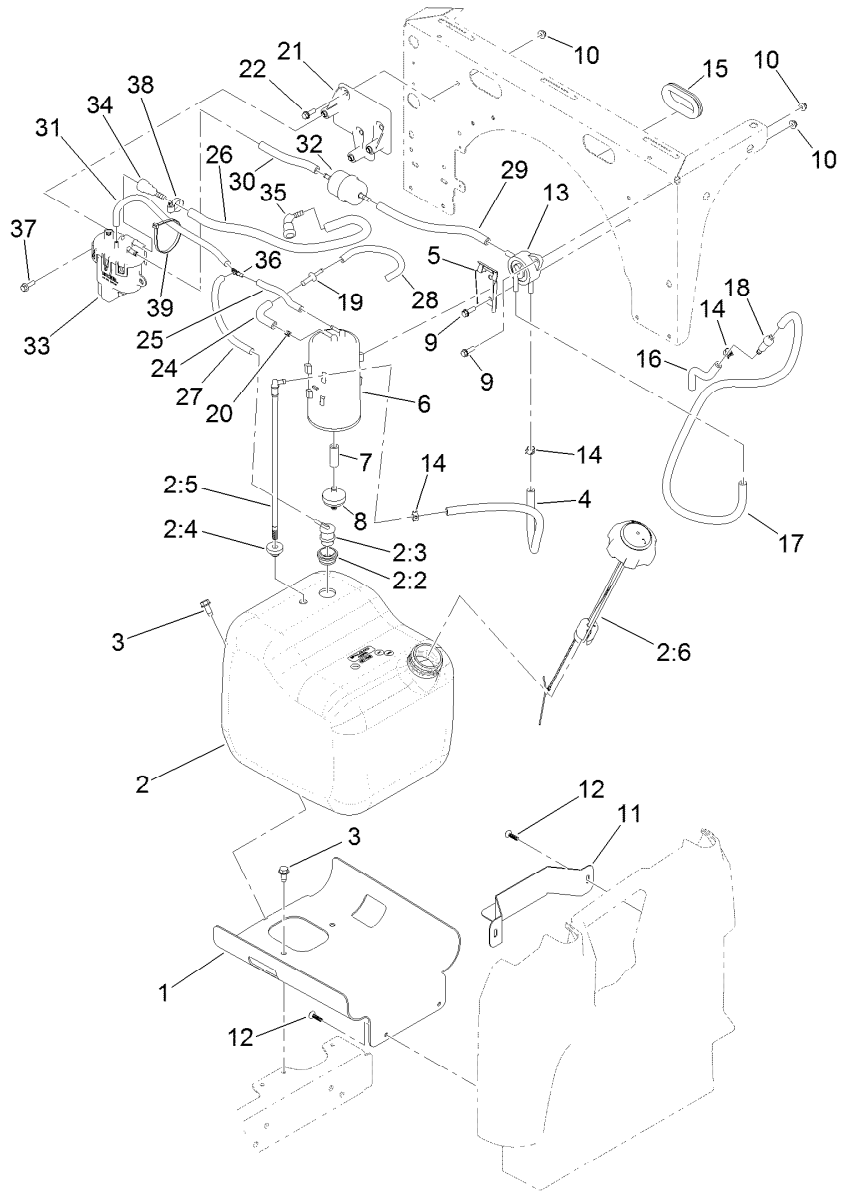
● Not illustrated

■ Not serviced separately



## Fuel System Assembly

Ref.	Part Number	Qty.	Description	Ref.	Part Number	Qty.	Description
1	127-7739-03	1	Mount-Tank, Fuel	17	110-3254	1	Hose-Fuel
2	127-7849	1	Fuel Tank ASM	18	138-5553	1	Filter-Fuel, 250 Micron
2:2	114-0284	1	Grommet	19	117-5399	1	Adaptor-Orifice
2:3	114-0285	1	Valve-Rollover	20	120-2038	1	Cartridge-Valve, Check
2:4	46-6560	1	Bushing	21	136-6346	1	Bracket-Pump, Fuel
2:5	115-9044	1	Pipe-Stand	22	115-5103	3	Screw-HHF
2:6	131-8357	1	Cap-Gauge	24	114-3765	1	Hose-Fuel
3	32144-70	3	Screw-HWHTF	25	68-3632	1	Hose-Fuel
4	114-4428	1	Hose-Fuel	26	136-6343	1	Hose-Fuel
5	114-0292	1	Bracket-Canister, Carbon	27	136-6345	1	Hose-Fuel
6	127-8685	1	Canister-Carbon	28	115-7871	1	Hose-Fuel
7	106-5317	1	Hose-Fuel	29	109-0282	1	Hose-Fuel
8	115-7854	1	Filter-Fuel, Inline	30	109-0650	1	Hose-Fuel
9	32105-15	4	Screw-HWH	31	136-6344	1	Hose-Fuel
10	104-7201	7	Nut-HF	32	94-9695	1	Filter-Fuel
11	127-7845-03	1	Bracket-Tank, Fuel	33	136-6347	1	Pump-Fuel, EFI
12	120-2349	4	Screw	34	125-2921	1	Fitting-Fuel
13	131-8526	1	Pump-Fuel	35	121-5585	1	Fitting-Fuel
14	2412-98	8	Clamp-Hose	36	136-6339	1	Fitting-Fuel
15	240-12	1	Grommet	37	33103-020	3	Screw-HHF
16	109-0300	1	Hose-Fuel				



## Fuel System Assembly (continued)

<i>Ref.</i>	<i>Part Number</i>	<i>Qty.</i>	<i>Description</i>
38	2412-36	2	Clamp-Hose
39	3290-378	1	Tie-Cable

# Attachments and Accessories

## For 07059 Workman GTX EFI Utility Vehicle with Bucket Seat

<b>Product Name</b>	<b>Model/Part</b>
Multi-passenger Kit.....	07133
Bucket Seat Base Kit (2016).....	07134
Bench Seat Base Kit (2016).....	07135
12V Electric Lift Kit.....	07144
Brush Guard Kit.....	07145
Front Hitch Kit, Workman GTX Series Utility Vehicles with Brush Guard.....	07146
Front Hitch Kit, Workman GTX or MDX Series Utility Vehicles without Brush Guard.....	07147
Steel Flat Bed Kit.....	07148
Storage Box Kit.....	07156
Ball Picker Mounting Bracket Kit.....	07157
Brake and Signal Light Kit.....	132-8579
Walk Spreader Mounting Kit.....	07029
6in L-Track Kit.....	07158
2in L-Track Kit.....	07159
Hose Reel Mounting Kit.....	07027
Class 1 Draw Bar Kit.....	133-3095
Aggressive Tire Kit.....	07423
Horn Kit.....	133-3016
Reverse Alarm Kit.....	133-3018
Power Point Kit.....	131-8550
Parking Brake Alarm Kit.....	133-3019
Trash Can Mounting Kit.....	07028
Spark Arrestor Screen Kit.....	133-7109
Bed Rack Kit.....	07031
Cab Kit.....	07142
Canopy Kit.....	07140
Mount-Ball.....	133-7116
Road Light and Homologation Kit.....	133-7128
12V Electric Bed Lift Kit.....	07167
Front Spring Kit.....	133-7145
Canopy Mount Kit, Workman GTX Utility Vehicle with Extended Flatbed.....	133-7160
Tire-20 8.00-10.....	116-7333
MVP Kit 400 Hour.....	136-6280
Cab Mount Kit, Workman GTX Utility Vehicle with Extended Flatbed.....	133-7198
Service Hood ASM.....	133-7209
ROPS Kit.....	07032
Crated Finishing Kit.....	07045
Cargo Bed Kit.....	07046
Bench Seat Base Kit.....	07047
Bucket Seat Base Kit.....	07048
Extension Kit.....	07049
Small Bedrack Mount Grip Kit.....	136-6311
Large Bedrack Mount Grip Kit.....	136-6312
Wireless Hourmeter Kit.....	136-6323
Optional Rear Tire GTX-K500.....	137-2785
Plate-Skid.....	137-2886-03

## Attachments and Accessories (continued)

Seat Hinge Kit.....	133-7346
Switch-Ignition ASM, Key1 .....	138-3500
Switch-Ignition ASM, Key2 .....	138-3501
Switch-Ignition ASM, Key3 .....	138-3502
Switch-Ignition ASM, Key4 .....	138-3503
Switch-Ignition ASM, Key5 .....	138-3504
Glove Box Cover Kit .....	137-2883
Fold-Down Rear Facing Seat.....	07123
Door Mount Mirror Kit.....	136-1997
Kit-Extended Panel, Cover .....	139-3342



**Notes:**

**Notes:**

**Notes:**



**Count on it.**