



**Proline 21”  
Recycler /Rear Bagging Mower  
Model No. 22043-20000001 and Up**

## Parts Catalog

### Ordering Replacement Parts

To order replacement parts, please supply: the part number, the quantity, and the description of each part desired.

### Understanding Reference Numbers

Each identified part in an illustration has a reference number. The reference number for a part also appears in the parts list, along with other information about the part.

This catalog uses two special reference number formats, one to indicate parts in a service assembly and another to indicate the quantity of a given part in an illustration.

### Service Assembly Reference Numbers

Parts in service assemblies have reference numbers in the form **a:b**. The **a** represents the reference number of the entire service assembly and the **b** represents a sequential number unique to each part within the service assembly.

For example, a wheel assembly might be identified by reference number **6**, the tire by **6:1**, the valve by **6:2**, and the wheel by **6:3**. When you order the assembly identified by reference number **6**, you receive all parts identified by reference numbers **6:1**, **6:2**, and **6:3**. However, you may also order any part individually.

Reference numbers of this type appear in illustrations and in part lists.

### Reference Numbers Indicating Quantity

In an illustration, if a reference number indicates more than one part, the reference number has the form **nX y**. The **n** represents the quantity of the part, the **X** is the multiplication symbol, and the **y** represents the reference number.

For example, in an illustration, the reference number **2X 37** means that two of the parts identified by reference number **37** are indicated.

## Contents

Description	Page	Description	Page
Housing Assembly .....	3	Grass Bag Assembly .....	12
Front Wheel & Tire Assembly .....	4	Crankshaft Assembly .....	13
Gear Case Assembly .....	5	Muffler Assembly .....	14
Engine & Blade Brake Clutch Assembly .....	6	Ignition Assembly .....	15
Engine & Fuel Tank Assembly .....	7	Governor Assembly .....	16
Handle Assembly .....	8	Recoil Assembly .....	17
Control Panel & Controls Assembly .....	9	Carburetor Assembly .....	18
Rear Axle Assembly .....	10	Maintenance .....	19
Rear Wheel & Tire Assembly .....	11		

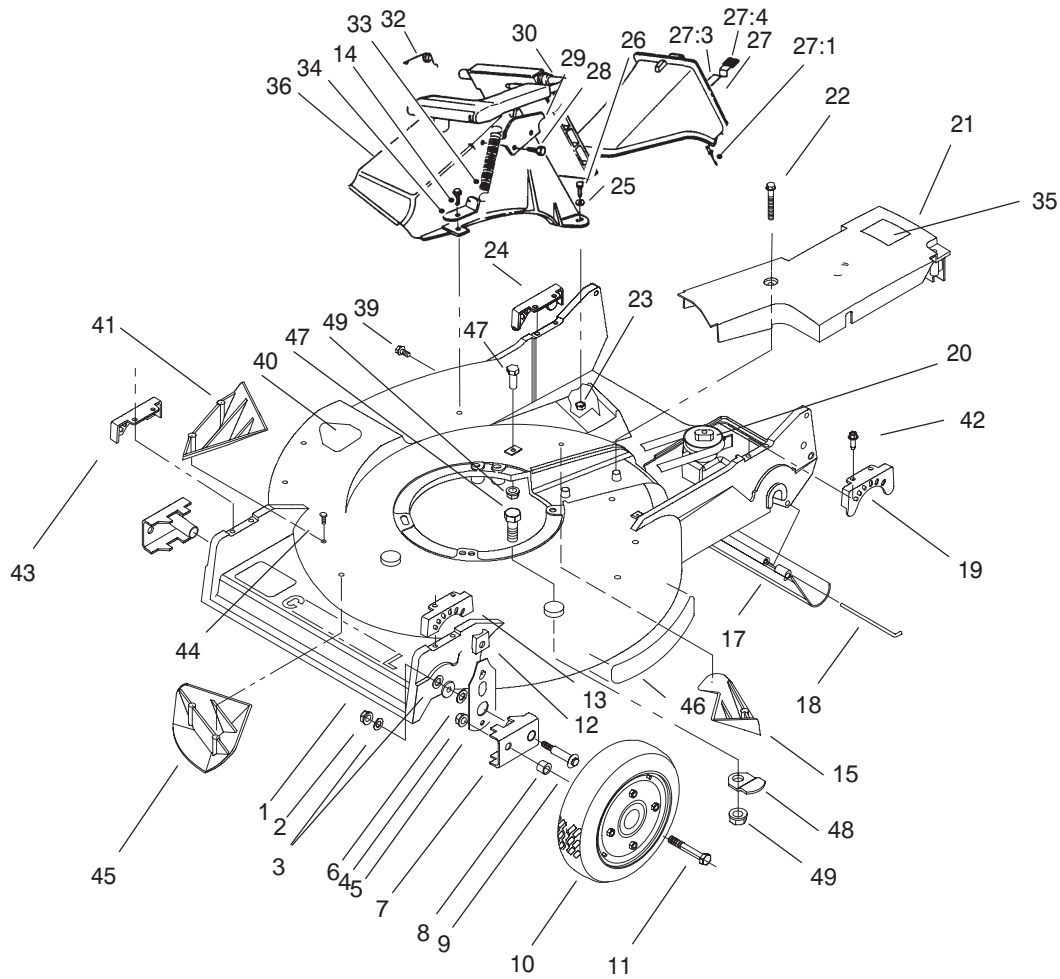
## Accessories

Description	Model / Part No.	Description	Model / Part No.
Side Discharge Kit .....	Model No. 59199		
Spark Arrestor Muffler .....	Part No. 81-0200		

## Part Description Abbreviations

Part descriptions in this catalog may include the following abbreviations.

Abbreviation	Meaning	Abbreviation	Meaning
AR .....	as required	INC .....	incorporated
ASM .....	assembly	LH .....	left hand
CARR .....	carriage	NI .....	nylon insert
DEG .....	degrees	PPH .....	Phillips pan head
FH .....	flat head	PTH .....	Phillips truss head
GA .....	gauge	PTO .....	power take off
HF .....	hex flange	RH .....	right hand
HH .....	hex head	SFH .....	slotted fillister head
HHF .....	hex head flange	SHH .....	slotted hex head
HLH .....	hex lag head	SQH .....	square head
HJ .....	hex jam	SHWH .....	slotted hex washer head
HOC .....	height-of-cut	SPH .....	slotted pan head
HS .....	hex socket	SRH .....	slotted round head
HSBH .....	hex socket button head	STD .....	standard
HSFH .....	hex socket flat head	TAP .....	self tapping
HSH .....	hex socket head	TTH .....	Torx truss head
HWH .....	hex washer head	WH .....	wing head
HWHTF .....	hex washer head thread forming		

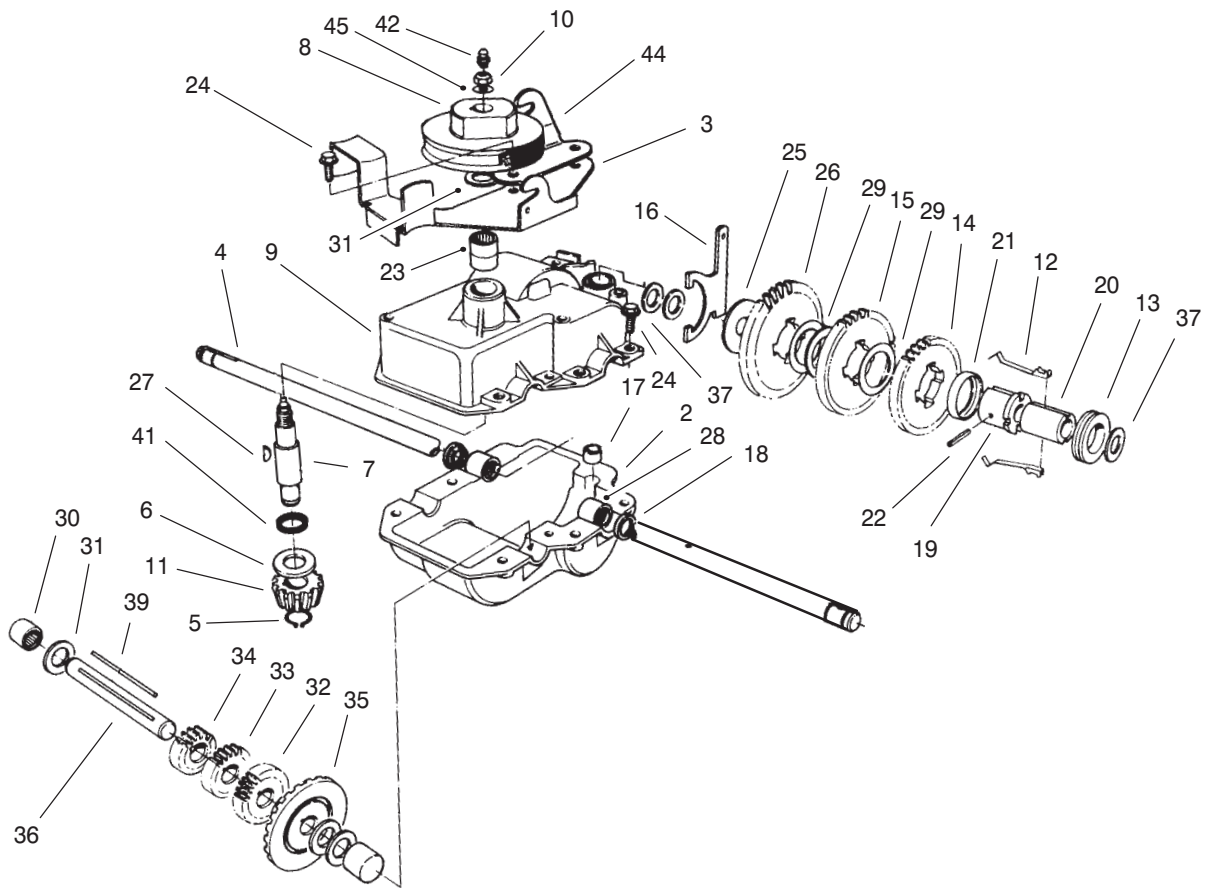


Sheet No.:2

## Housing Assembly

Ref. No.	Part No.	Qty.	Description	Ref. No.	Part No.	Qty.	Description
1	85-7103-01	1	Housing-Mach.	27:1	3295-35	1	Rivet-Head, Flat
2	3296-6	2	Nut-Lock, NI	27:3	76-4640	1	Latch-Plug, Discharge
3	40-1940	4	Washer-Bolt, Wheel	27:4	76-4650	1	Grip-Latch
4	32152-2	2	Nut-Conelock	28	46-8090	2	Screw-Plastite
5	66-7560	2	Front Spring Arm ASM	29	93-3154	1	Latch-Plate
6	257-3	2	Washer-Thrust	30	93-7351	1	Discharge Door ASM
7	61-8300	2	Arm-Pivot, Front	32	80-3770	1	Retainer-Door
8	52-2480	2	Spacer-Wheel	33	76-4660	1	Spring-Door
9	27-6232	2	Bolt-Wheel	34	71-9350	1	Bracket-Spring
10	53-7720	2	Wheel & Tire ASM	35	52-2620	1	Label-Grease
11	323-12	2	Screw-HH	36	82-9152	1	Tunnel-Discharge
12	25-7740	2	Knob-Arm	39	46-6810	1	Screw & Washer ASM
13	49-8760	1	Quadrant-Front, LH	40	43-8480	1	Decal-Danger
14	46-6811	1	Screw & Washer ASM	41	92-1730	1	Kicker-RH
15	92-1750	1	Kicker-Rear, Sp	42	49-2040	8	Screw-Taptite
17	44-0580	1	Shield-Trailing	43	49-8770	1	Quadrant-Front, RH
18	33-3208	1	Rod-Shield	44	32144-111	6	Screw-PPH
19	49-8740	1	Quadrant-Rear, LH	45	92-1720	1	Kicker-Front
20	74-1861	1	Gear Case ASM	46	92-7988	1	Decal - Recycler
21	74-1770	1	Cover-Belt	47	323-6	2	Screw-HH
22	37-7260	2	Screw-HH	48	84-8930	2	Shield-Retainer
23	3296-42	2	Nut-Lock	49	3296-39	2	Nut-Lock, NI
24	49-8750	1	Quadrant-Rear, RH				
25	3256-22	2	Washer-Flat				
26	321-7	2	Screw-HH				
27	77-0500	1	Discharge Plug ASM				

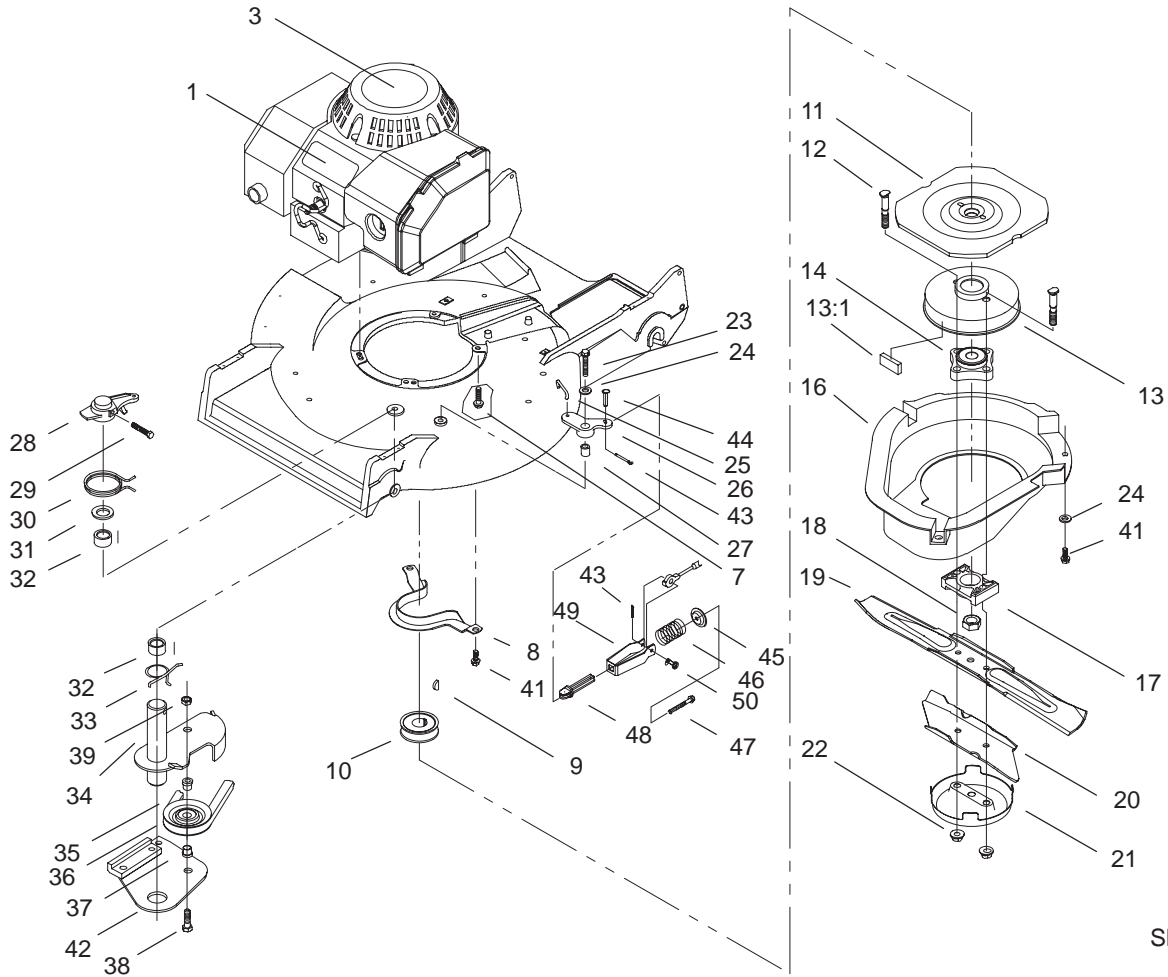




Sheet No.:A2

## Gear Case Assembly

Ref. No.	Part No.	Qty.	Description	Ref. No.	Part No.	Qty.	Description
2	74-1920	1	Case-Gear, Lower	28	48-2060	2	Bearing-Roller
3	49-8461-03	1	Bracket-Belt Guide	29	36-4770	3	Washer
4	74-1890	1	Shaft-Output	30	252-103	2	Bearing-Closed
5	32151-57	1	Ring-Retaining	31	36-4792	4	Washer-Thrust
6	47-2910	1	Washer-Thrust	32	39-6650	1	Gear-18t
7	13-5149	1	Shaft-Input w/Zerk	33	46-3550	1	Gear
8	39-6740	1	Pulley	34	46-3540	1	Gear
9	74-1880	1	Case-Gear, Upper	35	74-1760	1	Gear-Bevel
10	3296-5	1	Nut-Lock, NI	36	53-7950	1	Shaft-Intermediate
11	39-6660	1	Pinion-Bevel	37	36-4780	3	Washer
12	29-9330	2	Key	39	39-7842	1	Key
13	29-9340	1	Collar-Shift	41	47-7260	1	Seal
14	42-4740	1	Gear-38 Tooth	42	302-63	1	Zerk
15	29-9271	1	Gear-42 Tooth	44	74-1750-03	1	Bracket-Traction Engage
16	60-8870	1	Yoke-Shift	45	3256-45	1	Washer-Flat
17	29-9570	1	Bushing-Yoke				
18	47-6730	2	Seal-Oil				
19	55-8010	1	Sleeve-Gear				
20	39-6720	1	Sleeve				
21	55-8020	1	Retainer-Key				
22	3285-19	1	Pin-Groove				
23	47-7270	2	Bearing				
24	49-2040	6	Screw-Taptite				
25	29-9690	1	Washer				
26	46-3560	1	Gear				
27	3257-1	2	Key-Woodruff				

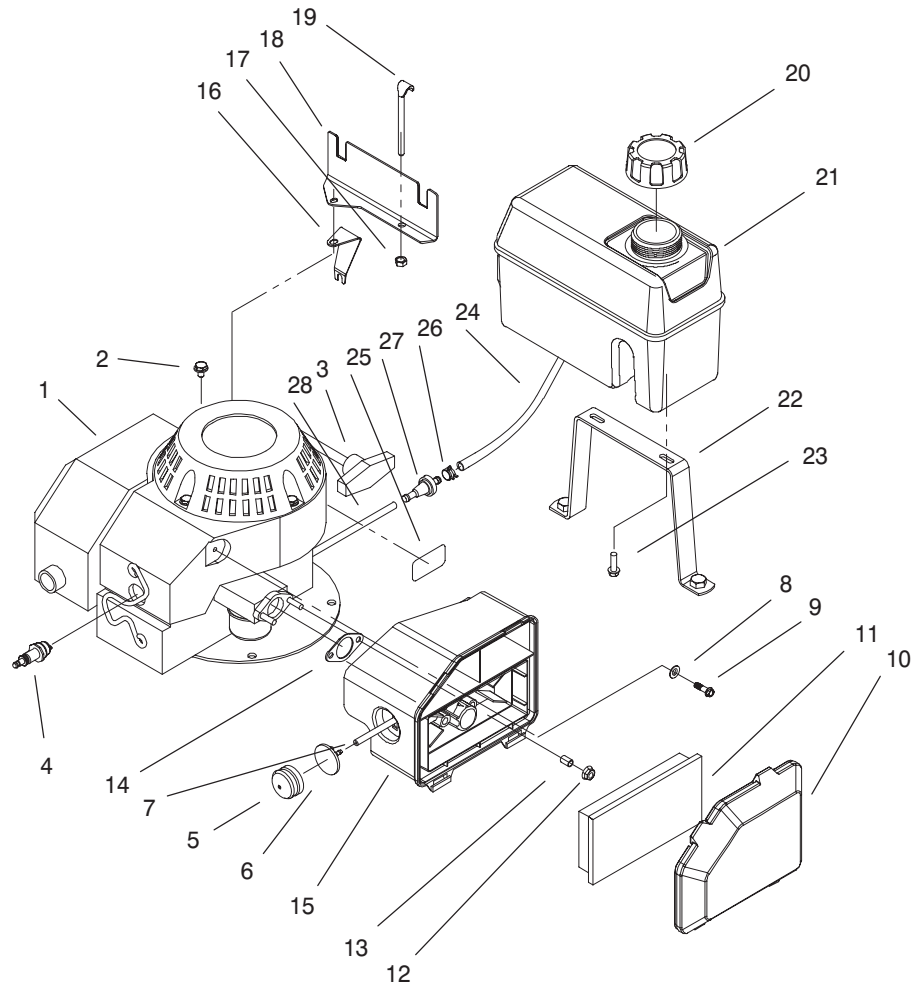


Sheet No.:3

## Engine & Blade Brake Clutch Assembly

Ref. No.	Part No.	Qty.	Description
1	71-1260	1	Decal – Proline
3	77-0040	1	Decal-2 Cyc Recoil Comm
7	66-9300	4	Screw-Flange
8	66-0570-03	1	Bracket-Guide, Belt
9	3257-17	1	Key-Hi-Pro
10	56-6180	1	Driver-Pulley
11	56-6160	1	Flywheel
12	42-3190	2	Bolt-Blade
13	94-9431	1	Brake Drum ASM
13:1	52-3480	2	Dampner-Vibration
14	42-6890	1	Hub ASM
16	46-5693	1	Shield-Bbc
17	62-4280	1	Spacer-Blade
18	3296-33	1	Nut-Lock NI
19	91-2256-03	1	Blade – Recycler li (Black)
20	91-2255-03	1	Stiffener-Blade
21	80-2770	1	Cup-Anti-Scalp
22	54-9190	2	Nut-Lock
23	32104-107	1	Screw-HH
24	3256-23	1	Washer-Flat
25	49-2810	1	Link – Control
26	49-7960	1	Bellcrank
27	49-7950	1	Sleeve-Bellcrank
28	49-2820	1	Lever

Ref. No.	Part No.	Qty.	Description
29	32104-96	1	Screw-HH
30	49-7970	1	Spring-Torsion
31	70-1160	1	Washer – Pm
32	68-9780	2	Bearing
33	85-6880	1	Spring-Torsion
34	84-9130	1	Plate-Brake
35	42-0884	1	V-Belt
36	46-5650	1	Pulley-Idler
37	46-5631	2	Hub-Pulley, Idler
38	322-6	1	Screw-HH
39	3296-47	1	Nut-Lock, NI
41	32144-70	2	Screw-HH
42	84-9180	1	Brake Plate ASM
43	3272-1	2	Pin-Cotter
44	84-9050	1	Pin-Spring
45	65-5280	1	Retainer-Spring
46	84-9100	1	Spring-Bbc
47	46-7040	1	Screw-Forming, Thread
48	84-8870	1	Guide-Spring
49	84-8880-03	1	Bracket-Spring
50	84-9040	1	Pin-Cable



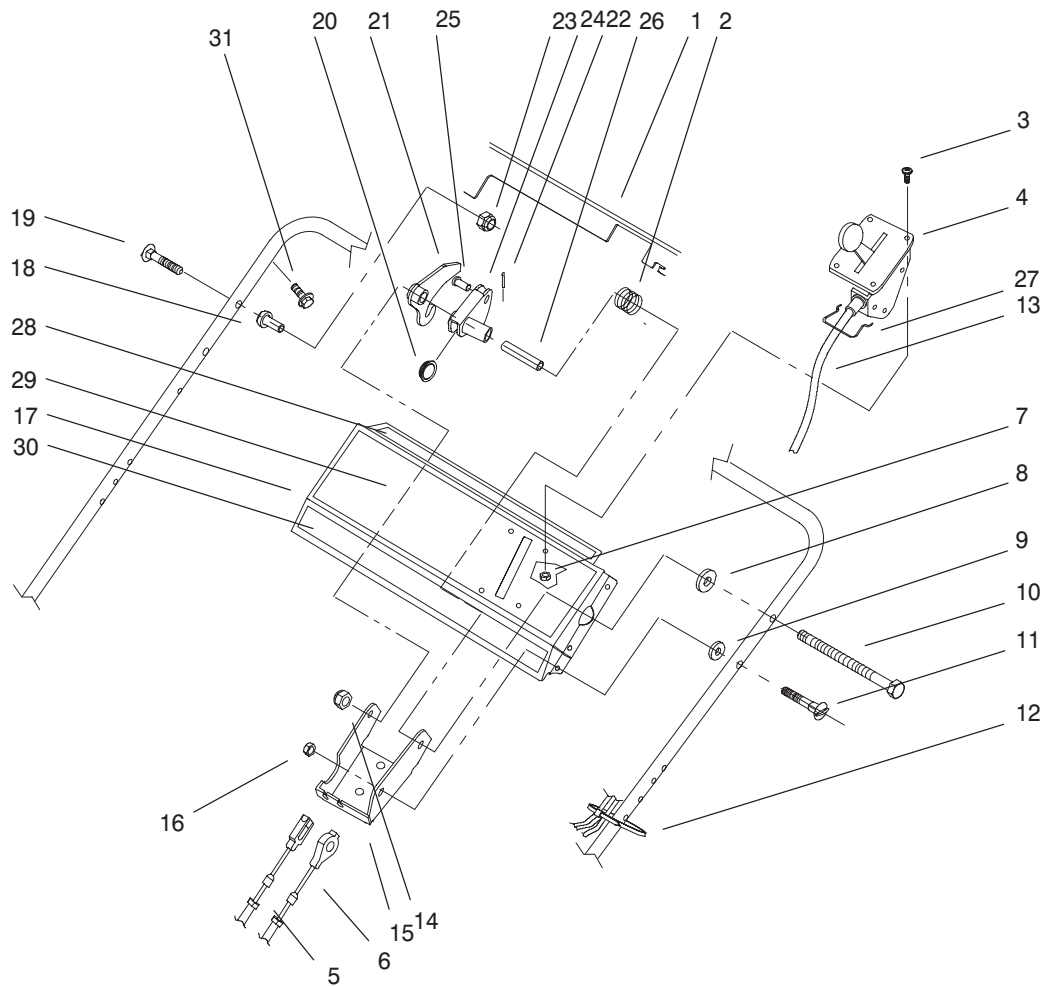
Sheet No.:4

## Engine & Fuel Tank Assembly

Ref. No.	Part No.	Qty.	Description
1		1	Engine-121cc 2 Cycle
2	81-1280	4	Bolt
3	81-2030	1	Starter ASM (F/W & Ppp)
4	81-0181	1	Plug-Spark
5	66-7460	1	Bulb-Primer
6	44-2750	1	Body-Primer
7	44-3172	1	Hose-Primer
8	3256-16	1	Washer-Flat
9	51-2690	1	Screw-HH
10	63-9340	1	Cover-Air Cleaner
11	63-9380	1	Element-Air Cleaner Foam
12	50-7180	2	Nut F/W Engine
13	62-3980	2	Spacer
14	81-0090	1	Gasket-Air Cle
15	63-9330	1	Body-Air Cleaner
16	77-0520-03	1	Sup-Tank Brkt
17	3296-42	1	Nut-Lock
18	74-2110-03	1	Bracket-Tank
19	77-2840	1	Retainer - Fuel Tank
20	55-3575	1	Gas Cap Assembly
21	94-5827	1	Tank-Gas
22	84-9160-03	1	Tank Base Wa
23	46-8091	2	Special-HWH
24	68-3633	1	Line-Fuel

Ref. No.	Part No.	Qty.	Description
25	62-7600	1	Decal - Fuel
26	2412-95	4	Clamp-Fuel Line
27	71-9280	1	Filter-Fuel
28	51-3211	1	Line-Gas 2.30" Long





Sheet No.:6

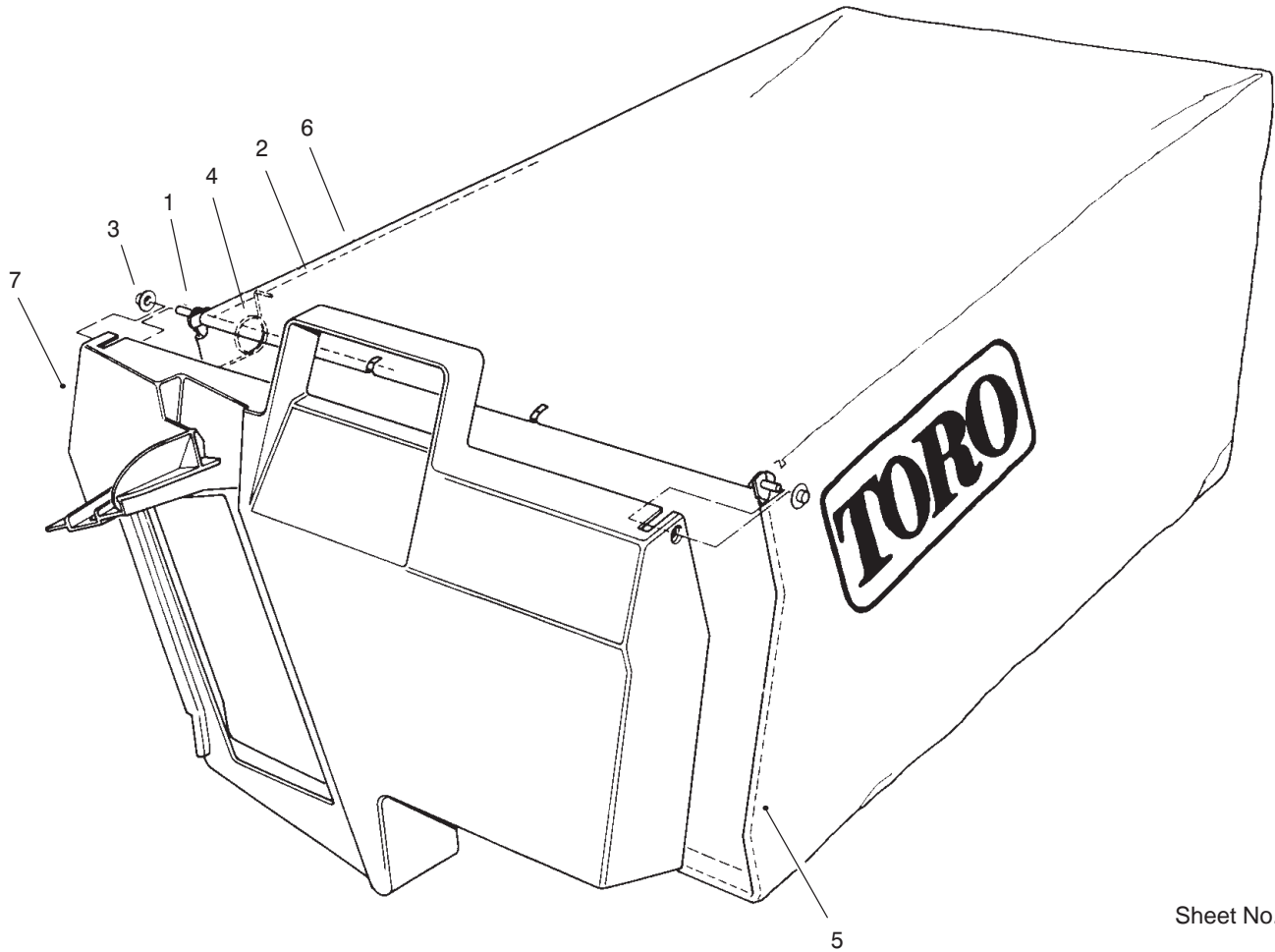
## Control Panel & Controls Assembly

Ref. No.	Part No.	Qty.	Description
1	84-8940-03	1	Bar-Control
2	85-6750	1	Spring-Control
3	3250-12	4	Screw-PPH
4	85-6770	1	Control-Throttle
5	84-9120	1	Cable-Traction
6	84-9110	1	Cable-Clutch
7	3296-2	4	Nut-Lock
8	71-9310	1	Spacer
9	71-9320	1	Spacer
10	322-19	1	Screw-HH
11	46-6430	1	Screw-Handle
12	3290-378	1	Tie-Cable
13	85-6760	1	Cable-Throttle
14	3296-29	1	Nut-Lock,NI
15	92-1778-03	1	Bracket-Control
16	3296-42	1	Nut-Lock
17	84-9090-01	1	Panel-Control
18	49-1631	1	Spacer-Support
19	17-9427	1	Screw-Hdle
20	86-9320	1	Bushing-Flange
21	84-9000	1	Traction Lever
22	3272-1	1	Pin-Cotter
23	3296-58	1	Nut-Lock NI
24	84-8990	1	Lever-Bbc
25	84-9040	1	Pin-Cable

Ref. No.	Part No.	Qty.	Description
26	84-9030	1	Spacer-Bracket, Control
27	85-6780	1	Retainer-Cable, Throttle
28	63-9060	1	Decal - Danger Panel
29	85-6730	1	Decal-Control Panel
30	85-6720	1	Decal - Proline Panel
31	32104-76	6	Screw-Slot, Acorn





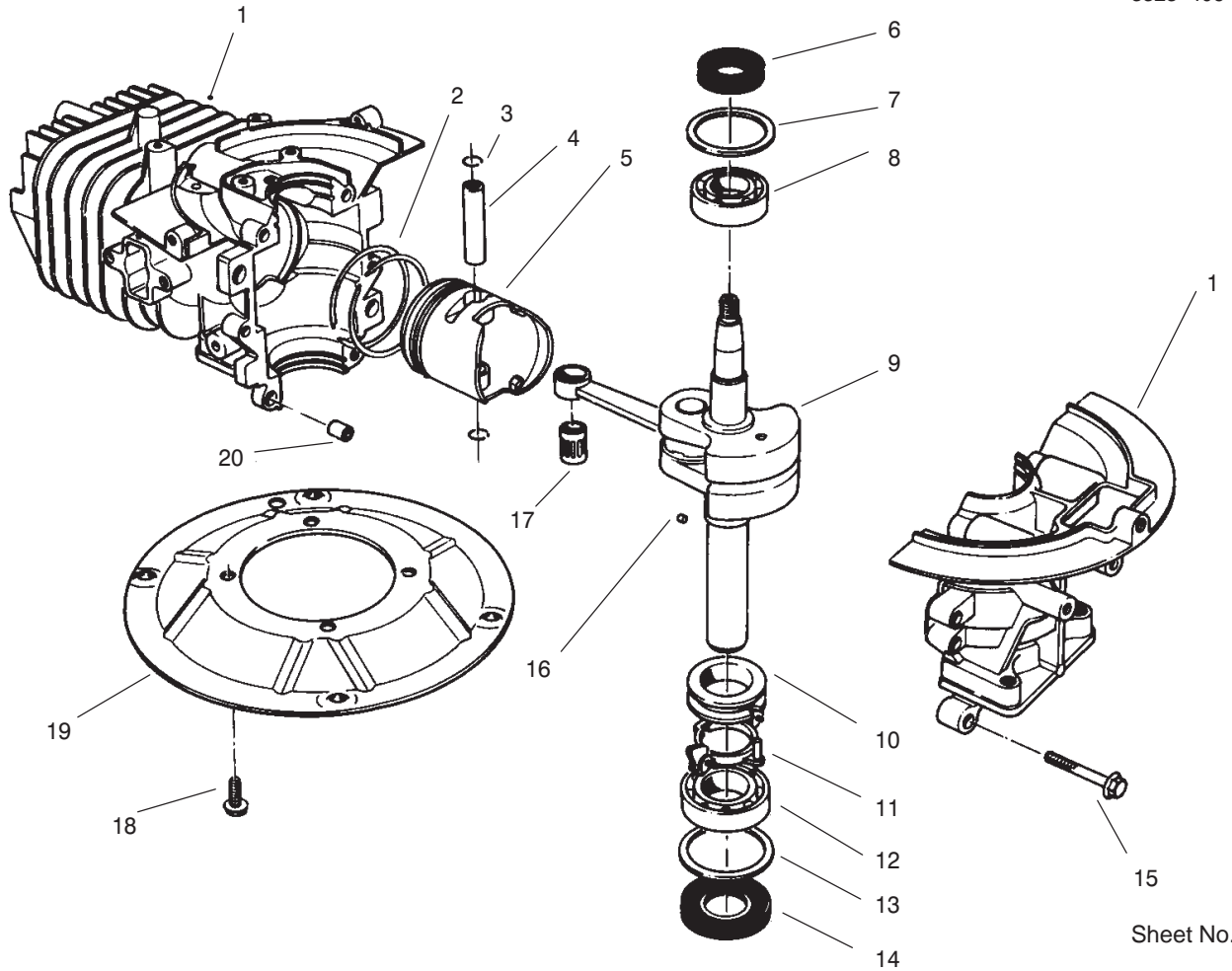


Sheet No.:A5

### Grass Bag Assembly

Ref. No.	Part No.	Qty.	Description
1	33-4820	1	Hinge-Door, Bag
2	42-4030	1	Frame-Bag, Upper
3	3290-422	2	Nut-Push
4	36-6910	2	Spring
5	42-4020	1	Frame-Bag
6	98-9225	1	Bag-Grass
7	48-2840	1	Door-Grass Bag
	99-2535	1	Grass Bag Assy-service Only

Ref. No.	Part No.	Qty.	Description



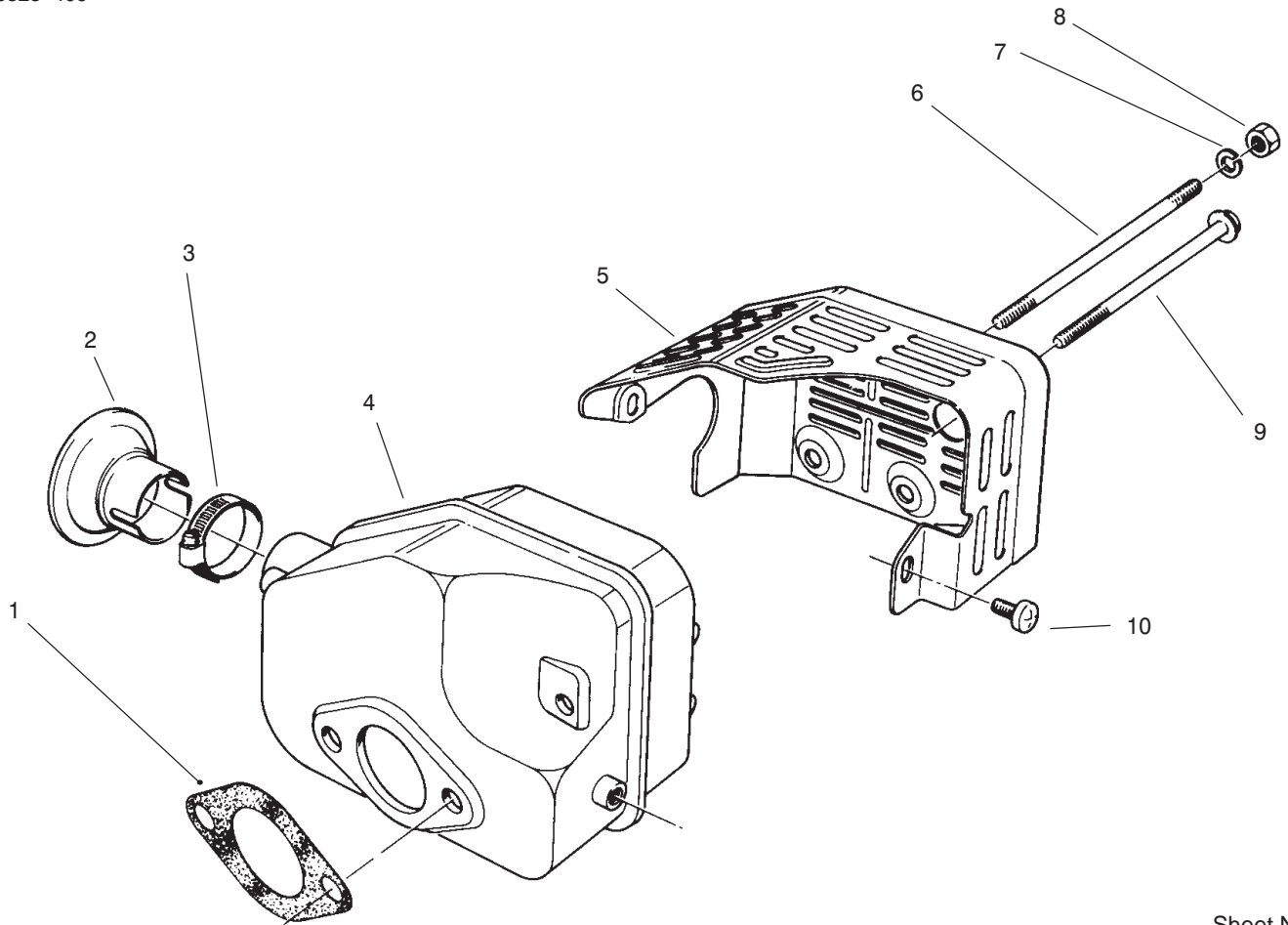
Sheet No.:

## CRANKSHAFT ASSEMBLY (Model No. 47PT7-7)

Ref. No.	Part No.	Qty.	Description
1	94-1685	1	Crankcase/Cylinder Assy.
2	81-0590	1	Piston Ring Set
3	81-0620	2	Circlip
4	81-0600	1	Pin - Wrist
5	81-2140	1	Piston - 58mm
6	81-0720	1	Seal - Oil, Upper
7	81-0710	1	Washer - Thrust, Upper
8	81-0690	1	Bearing - Upper 20mm
9	81-5830	1	Crankshaft/Connecting Rod Assembly
10	81-0770	1	Spacer - Governor
11	81-0750	1	Bracket - Arm, Governor
12	81-0700	1	Bearing - Lower 25mm
13	81-0730	1	Washer - Thrust, Lower
14	81-0740	1	Seal - Oil, Lower
15	81-0540	5	Bolt 30mm Lg.
16	81-0760	1	Pin - Crankshaft
17	81-0610	1	Bearing - Wrist Pin
18	81-0570	4	Bolt

Ref. No.	Part No.	Qty.	Description
19	81-0560	1	Plate - Mounting
20	81-0520	2	Pin - Crankcase
*	98-2049	1	Short Block

\*Not Illustrated



Sheet No.:

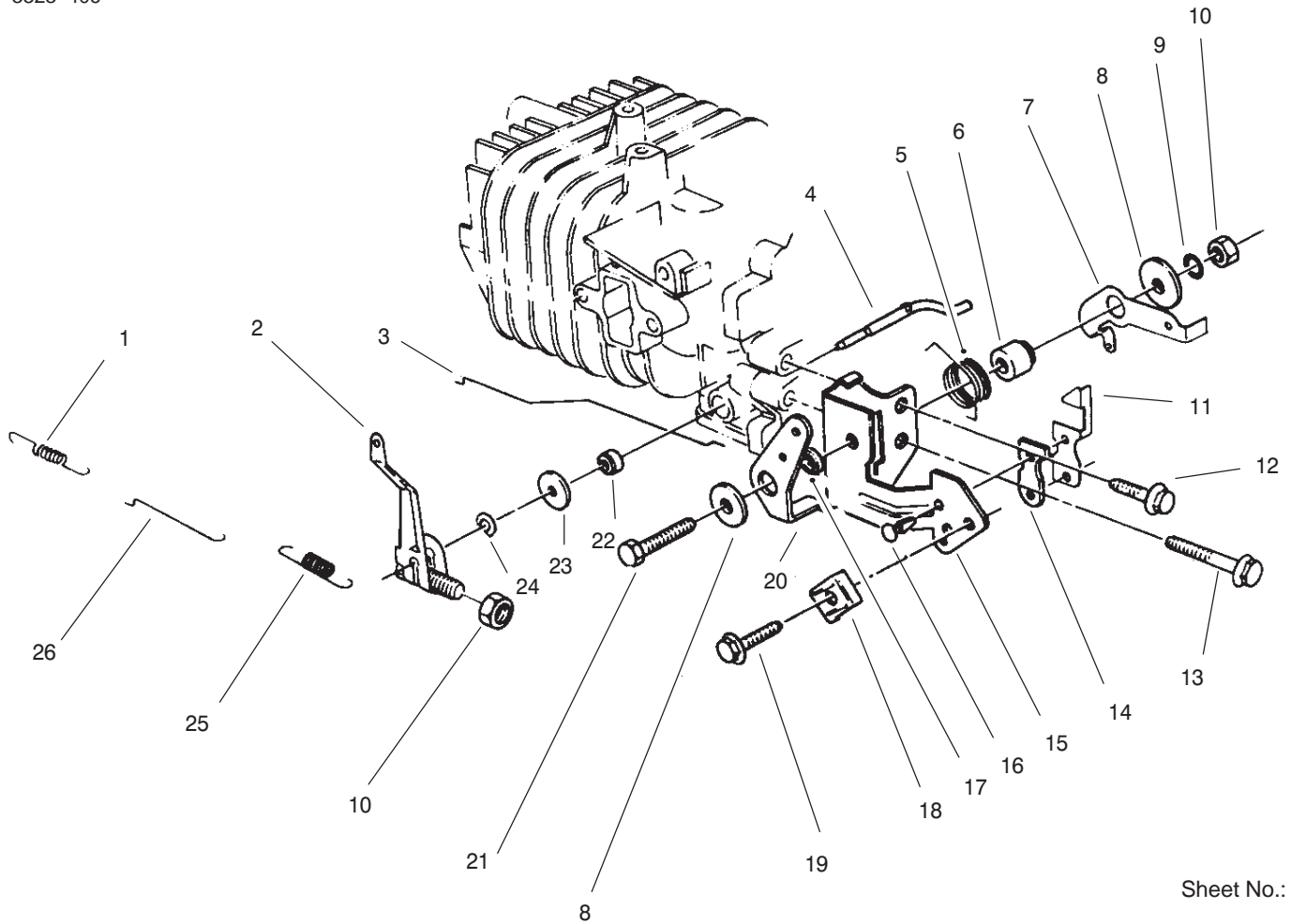
## MUFFLER ASSEMBLY (Model No. 47PT7-7)

Ref. No.	Part No.	Qty.	Description
1	81-1080	1	Gasket – Muffler
2	81-0200	1	Spark Arrester (Optional)
†3		1	Clamp
4	81-5690	1	Muffler
5	81-2450	1	Cover – Muffler
6	81-1100	2	Bolt
7	81-1120	2	Washer – Lock
8	81-1110	2	Nut
9	81-1150	1	Bolt – Self Tapping
10	81-1140	2	Screw – Phillips Hd.

Ref. No.	Part No.	Qty.	Description

†Obtain Locally



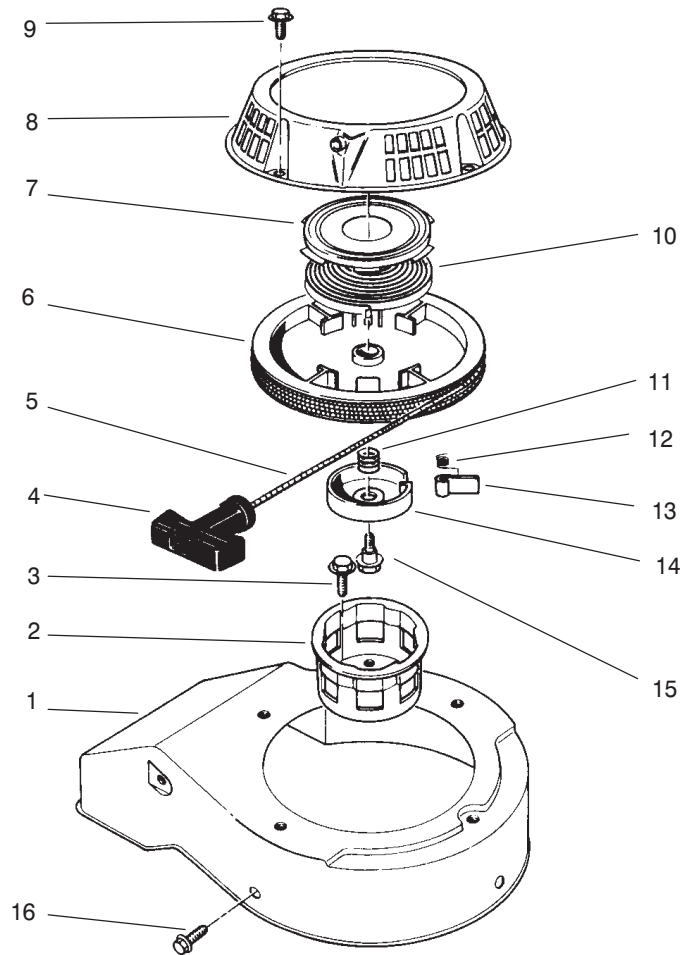


Sheet No.:

## GOVERNOR ASSEMBLY (Model No. 47PT7-7)

Ref. No.	Part No.	Qty.	Description
1	81-0920	1	Spring – Carburetor Rod
2	81-5420	1	Governor Arm/Bolt Assy.
3	81-5410	1	Rod – Choke
4	81-2880	1	Shaft – Governor
5	81-2460	1	Spring – Lever, Choke
6	81-5780	1	Spacer – Lever, Governor
7	81-2850	1	Lever – Governor
8	81-1750	2	Washer – Lever, Choke
9	81-1450	1	Washer – Lock
10	81-0900	2	Nut
11	81-1840	1	Terminal – Kill Switch
12	81-1170	1	Bolt – Self Tapping
13	81-0540	1	Bolt
14	81-1830	1	Insulator – Kill Switch
15	81-5770	1	Bracket – Throttle
16	81-4530	2	Rivet – Kill Switch
17	81-2470	1	Spacer – Lever, Choke
18	81-2430	1	Clamp – Cable
19	50-0130	1	Bolt – Clamp, Cable
20	81-1710	1	Lever – Choke
21	81-1730	1	Bolt – Bracket, Throttle

Ref. No.	Part No.	Qty.	Description
22	81-0850	1	Seal – Shaft, Governor
23	81-0860	1	Washer
24	81-0870	1	Ring – Retaining
25	81-2830	1	Spring – Governor
26	81-0910	1	Rod – Carburetor



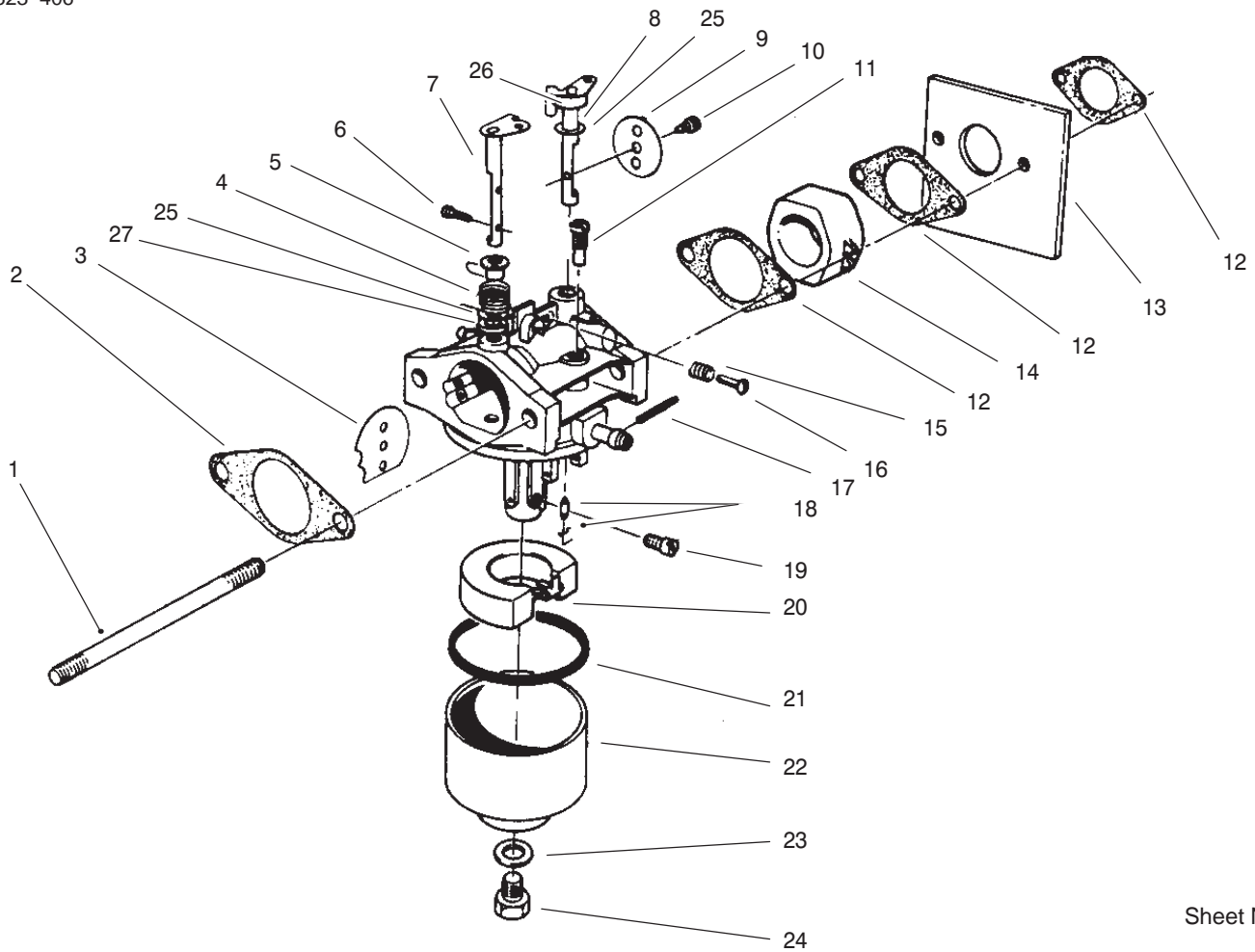
Sheet No.:

## RECOIL ASSEMBLY (Model No. 47PT7-7)

Ref. No.	Part No.	Qty.	Description
1	81-2080	1	Cover – Fan, Cooling
2	81-2170	1	Cup – Pulley, Starter
3	81-1300	3	Bolt
4	81-1630	1	Handle – Recoil
5	81-1270	1	Rope
6	81-1210	1	Pulley – Rope
7		1	Retainer – Spring, Recoil
8	81-2100	1	Case – Starter
9	81-1280	4	Bolt
10		1	Spring – Recoil
11	81-1240	1	Spring – Compression
12	81-1220	1	Spring – Dog
13	81-1230	1	Dog – Starter
14	81-1250	1	Retainer – Dog
15	81-1260	1	Bolt – Shoulder
16	53-1340	3	Bolt – Self Tapping (15mm Lg.)
*	81-2030	1	Starter Assembly (Incl. Ref. #4-15)
*	81-2300	1	Spring & Retainer Assembly (Incl. Ref. #7 & 10)

Ref. No.	Part No.	Qty.	Description

\*Not Illustrated



Sheet No.:

## CARBURETOR ASSEMBLY (Model No. 47PT7-7)

Ref. No.	Part No.	Qty.	Description
1	81-5450	2	Stud Bolt, Carburetor
2	81-0090	1	Gasket
3	81-0240	1	Valve - Choke
4	81-0230	1	Spring - Choke
5	81-0220	1	Bushing - Choke
6	81-2160	2	Screw - Choke Plate
7	81-1950	1	Shaft - Choke
8	81-0250	1	Shaft - Throttle
9	81-0260	1	Valve - Throttle
10	81-0270	1	Screw - Throttle
11	94-1684	1	Jet - Pilot #42.5
12	81-0780	3	Gasket - Carburetor
13	81-5490	1	Shield - Carburetor
14	81-5440	1	Insulator - Carburetor
15	81-2580	1	Spring - Idle Stop
16	50-0250	1	Screw - Idle Stop
17	81-2600	1	Pin - Float
18	81-4910	1	Needle Valve
19	81-1060	1	Jet - Main #75
*	81-2340		Jet - Main #72.5 High Alt.
		A/R	Above 6,000 Ft. (Optional)
20	81-0970	1	Float

Ref. No.	Part No.	Qty.	Description
21	81-1010	1	Gasket - Bowl, Float
22	81-5660	1	Bowl - Float
23	81-1020	1	Gasket - Capscrew, Bowl
24	81-5670	1	Capscrew - Bowl
25	81-2530	2	Seal
26	81-2540	1	Ring
27	81-2550	1	Packing
*	12-6379	1	Carburetor Kit (Incl. Ref. #2, 12, 18, 21 & 23)
*	81-2520	1	Carburetor Assy. Complete
*	81-5810	1	Needle Valve Kit (Incl. Valve Seat & Ref. #18)
*	94-1687	1	Carburetor Ass'y w/Primer

\*Not Illustrated



