



MODEL NO. 59126

INSTALLATION INSTRUCTIONS

DETHATCHER

FOR USE ON REAR DRIVE REAR BAGGERS

Since this instruction sheet covers only a minimal amount of information necessary to maintain and operate your machine, we suggest that you keep this material with your Operator's Manual so that both may be referred to for instructions concerning safe operation and proper maintenance procedures.

INSTALL DETHATCHER

1. Mount caster frame to main frame with (2) 5/16-3/4 lg. carriage bolts and locknuts as shown in Figure 1.

2. Mount front of right and left side frames to main frame with a shoulder screw and locknut as shown in Figure 1. Note position of side frames.

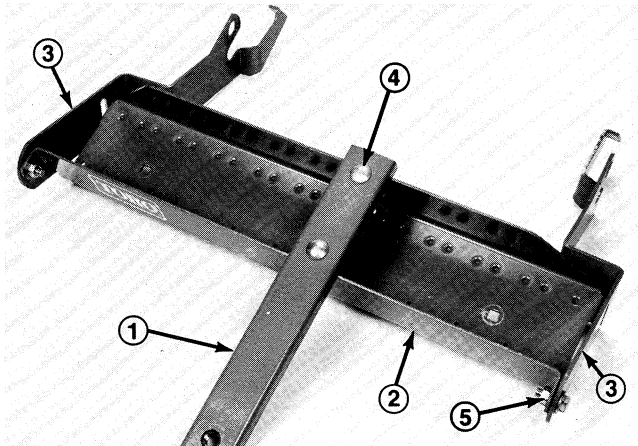


Figure 1

1. Caster frame
2. Main frame
3. Side frames
4. 5/16 - 3-1/4 lg. carriage bolt
5. Shoulder screw

3. Insert thatching springs into mounting holes in main frame, starting at the end and alternating straight leg springs with bent leg springs (Fig. 2). Two middle springs should have bent legs (Fig. 3).

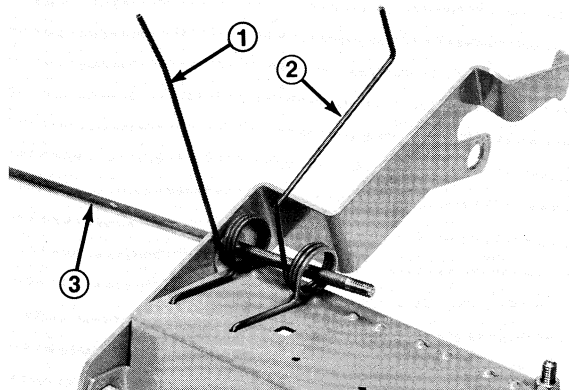


Figure 2

1. Straight leg spring
2. Bent leg spring
3. Spring guide rod

4. Slide spring guide rod thru side frames and springs, securing each end with a washer and locknut (Fig. 2 & 3).

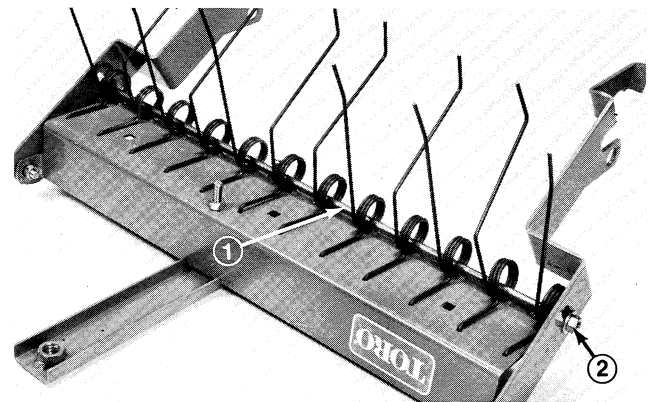


Figure 3

1. Spring guide rod
2. Locknut and washer (both sides)

5. Mount spring guide bracket to main frame with (3) carriage bolts, washers and locknuts, positioning spring legs in slots in bracket (Fig. 4). Position washers between spring guide bracket and main frame.

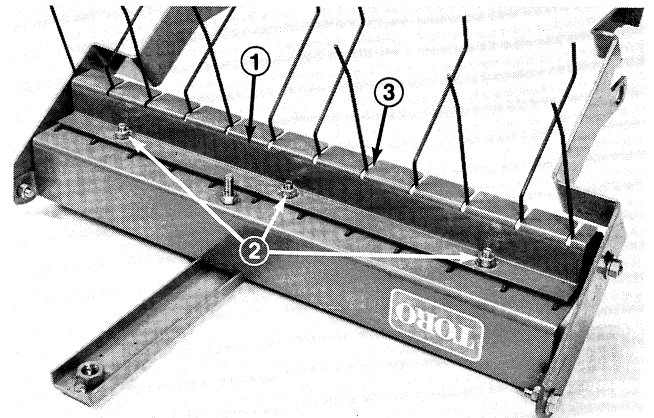


Figure 4

1. Spring guide bracket
2. Carriage bolt & nut
3. Slot

6. Thread jamnut halfway onto caster handle and screw caster adjustment handle into caster frame as shown in Figure 5.

7. Press bushings into ends of caster wheel bracket (Fig. 5).

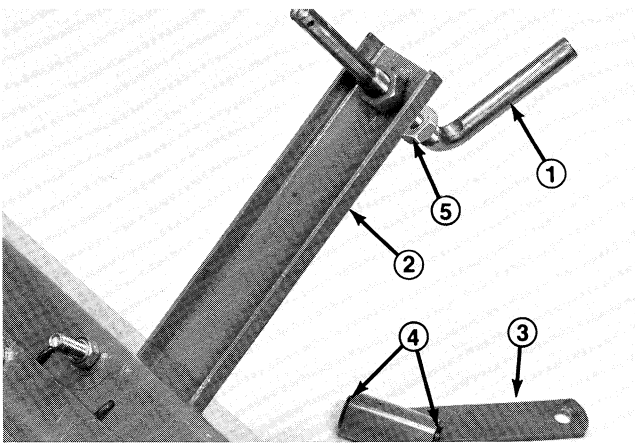


Figure 5

- | | |
|-----------------------------|-------------|
| 1. Caster adjustment handle | 4. Bushings |
| 2. Caster frame | 5. Jam nut |
| 3. Caster wheel bracket | |

8. Mount caster wheel to caster wheel bracket with wheel bolt, washer (between bracket and wheel) and locknut (Fig. 6). Slide washer and wheel bracket assembly onto caster adjustment handle, and secure with washer and cotter pin (Fig. 6).

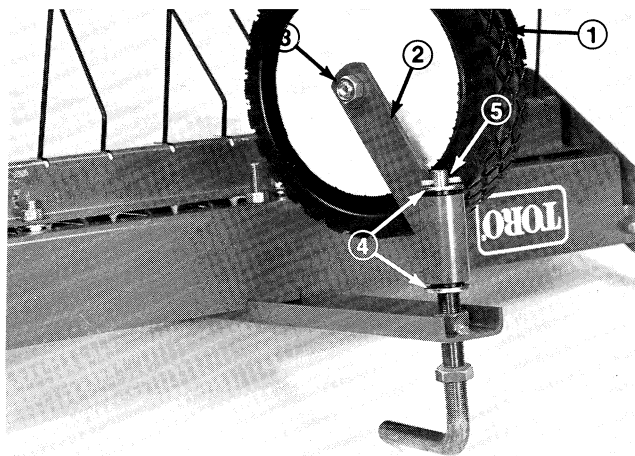


Figure 6

- | | |
|---------------------------------|---------------|
| 1. Caster wheel | 4. Washer |
| 2. Caster wheel bracket | 5. Cotter pin |
| 3. Wheel bolt, washer & locknut | |

9. Block up front of mower housing to raise front wheels. Set height-of-cut to "E" position.

10. Remove front wheels. Compare length of existing front wheel bolts with new bolts supplied in kit. Using shortest wheel bolts and new pivot nuts (Fig. 7), reinstall front wheels.

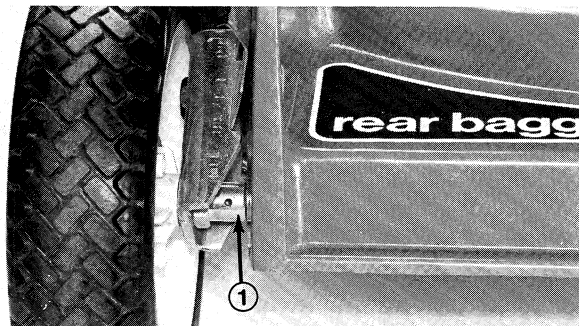


Figure 7

1. Pivot nut

11. Install dethatcher mounting brackets over pivot nuts and secure with hair pin cotters. Reposition height-of-cut to "B", "C" or "D" position (Fig. 8).

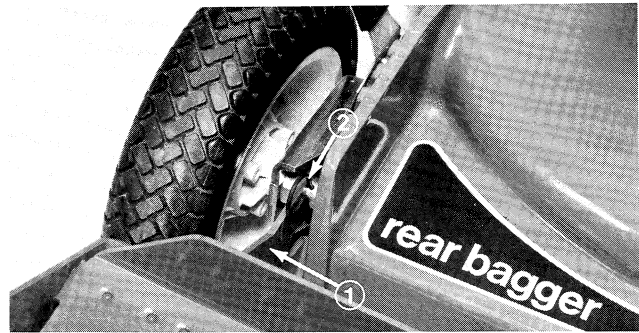


Figure 8

1. Mounting bracket 2. Hair pin cotter

ADJUST DETHATCHER

1. With mower and dethatcher on hard, level surface, set spring height by turning caster wheel handle. Recommended initial setting is so spring tips are 1/2" above hard surface (Fig. 9).

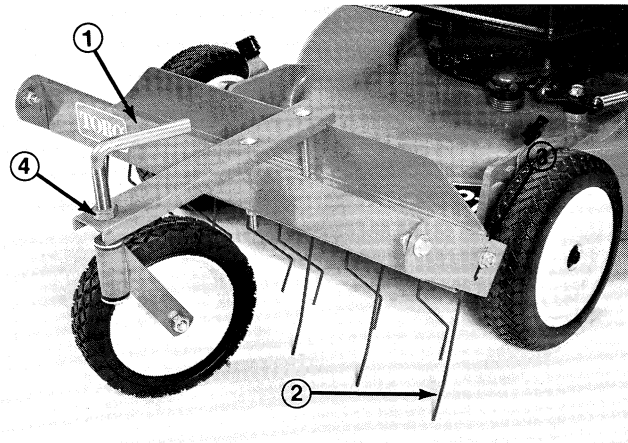


Figure 9

- | | |
|------------------------|---------------------|
| 1. Caster wheel handle | 3. Spring guide nut |
| 2. Spring tip | 4. Jam nut |

2. Loosen nuts securing spring guide rod to side frames, and raise or lower side frames to level springs from front to back (Fig. 9). Retighten nuts and caster handle jam nut.

3. Try dethatcher and if necessary, readjust to desired depth.

DETHATCHING TIPS

1. Operate mower at a reduced ground speed when dethatching.
2. Dethatch when grass is actively growing, preferable spring and fall.
3. Remove small amounts of thatch on a regular basis, rather than heavy dethatching.
4. Turf should be dry, mowed and clippings bagged before dethatching.
5. Bag when dethatching.