



**Z-Master 250 Series**  
**Z255 with 52" Side Discharge Mower**  
Model No. 74204—20000001 and Up

## Parts Catalog

### Ordering Replacement Parts

To order replacement parts, please supply: the part number, the quantity, and the description of each part desired.

### Understanding Reference Numbers

Each identified part in an illustration has a reference number. The reference number for a part also appears in the parts list, along with other information about the part.

This catalog uses two special reference number formats, one to indicate parts in a service assembly and another to indicate the quantity of a given part in an illustration.

### Service Assembly Reference Numbers

Parts in service assemblies have reference numbers in the form **a:b**. The **a** represents the reference number of the entire service assembly and the **b** represents a sequential number unique to each part within the service assembly.

For example, a wheel assembly might be identified by reference number **6**, the tire by **6:1**, the valve by **6:2**, and the wheel by **6:3**. When you order the assembly identified by reference number **6**, you receive all parts identified by reference numbers **6:1**, **6:2**, and **6:3**. However, you may also order any part individually.

Reference numbers of this type appear in illustrations and in part lists.

### Reference Numbers Indicating Quantity

In an illustration, if a reference number indicates more than one part, the reference number has the form **nX y**. The **n** represents the quantity of the part, the **X** is the multiplication symbol, and the **y** represents the reference number.

For example, in an illustration, the reference number **2X 37** means that two of the parts identified by reference number **37** are indicated.

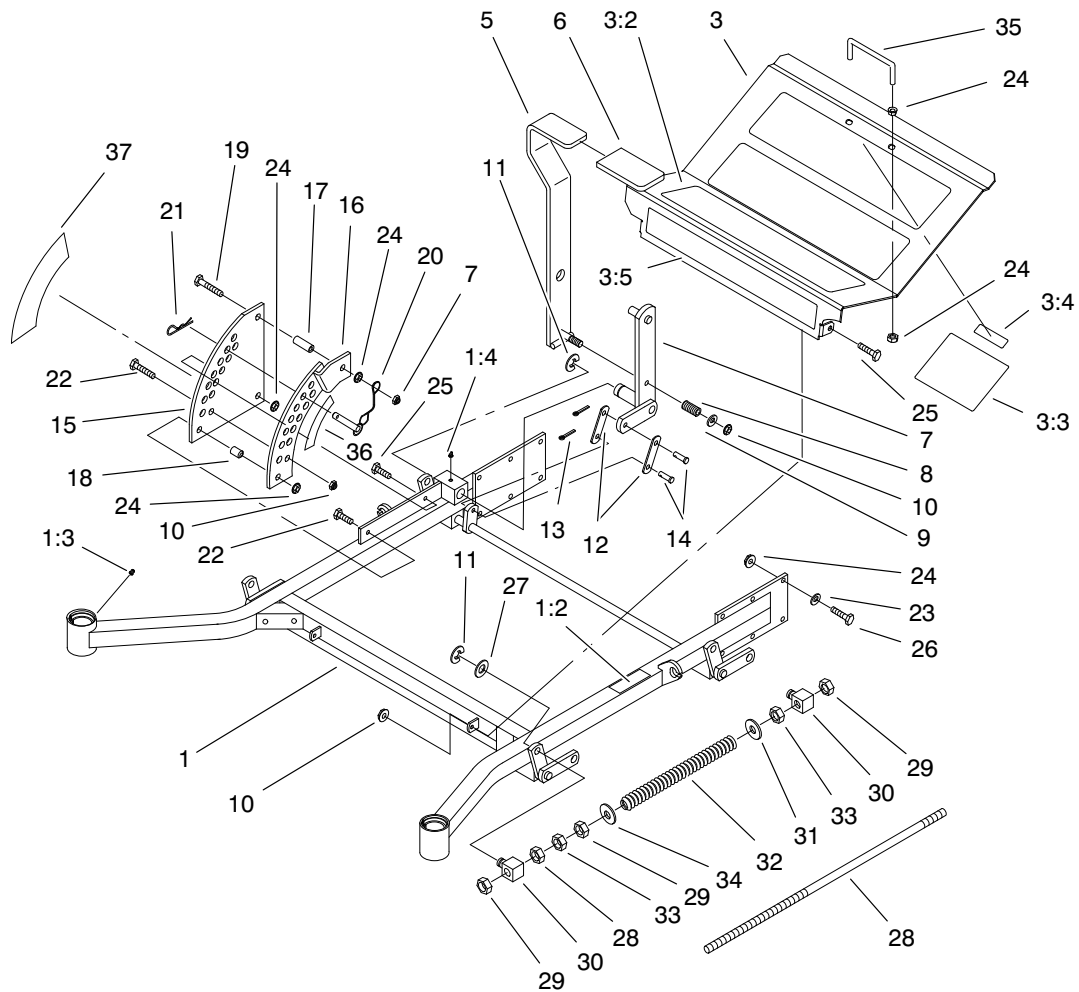
## Contents

| Description                                 | Page | Description                              | Page |
|---|------|--|------|
| Front Frame Assembly .....                  | 3    | Spindle and Pulley Assembly .....        | 16   |
| Caster and Wheel Assembly .....             | 4    | Belts and Idler Arm Assembly .....       | 17   |
| Rear Frame and Wheel Assembly .....         | 5    | Group 1 – Crankshaft .....               | 18   |
| Brake and Wheel Hub Assembly .....          | 6    | Group 2 – Crankcase .....                | 19   |
| Control Panel Assembly .....                | 7    | Group 3 – Oil Pan/Lubrication .....      | 20   |
| Hydraulic System Assembly .....             | 8    | Group 4 – Head/Valve/Breather .....      | 21   |
| Hydraulic System Assembly (Continued) ..... | 9    | Group 5 – Ignition/Electrical .....      | 22   |
| Tank and Fuel Lines Assembly .....          | 10   | Group 6 – Blower Housing & Baffles ..... | 23   |
| Shields and Clutch Assembly .....           | 11   | Group 7 – Starting System .....          | 24   |
| Idler Assembly .....                        | 12   | Group 8 – Fuel System .....              | 25   |
| Electrical System Assembly .....            | 13   | Group 9 – Engine Controls .....          | 26   |
| Frame and Deck Assembly .....               | 14   | Group 10 – Air Intake/Filtration .....   | 27   |
| Deck, Deflector and Roller Assembly .....   | 15   | Group 11 – Exhaust .....                 | 28   |

## Part Description Abbreviations

Part descriptions in this catalog may include the following abbreviations.

| Abbreviation | Meaning                           | Abbreviation | Meaning                 |
|--------------|-----------------------------------|--------------|-------------------------|
| AR .....     | as required                       | INC .....    | incorporated            |
| ASM .....    | assembly                          | LH .....     | left hand               |
| CARR .....   | carriage                          | NI .....     | nylon insert            |
| DEG .....    | degrees                           | PPH .....    | Phillips pan head       |
| FH .....     | flat head                         | PTH .....    | Phillips truss head     |
| GA .....     | gauge                             | PTO .....    | power take off          |
| HF .....     | hex flange                        | RH .....     | right hand              |
| HH .....     | hex head                          | SFH .....    | slotted fillister head  |
| HHF .....    | hex head flange                   | SHH .....    | slotted hex head        |
| HLH .....    | hex lag head                      | SQH .....    | square head             |
| HJ .....     | hex jam                           | SHWH .....   | slotted hex washer head |
| HOC .....    | height-of-cut                     | SPH .....    | slotted pan head        |
| HS .....     | hex socket                        | SRH .....    | slotted round head      |
| HSBH .....   | hex socket button head            | STD .....    | standard                |
| HSFH .....   | hex socket flat head              | TAP .....    | self tapping            |
| HSH .....    | hex socket head                   | TTH .....    | Torx truss head         |
| HWH .....    | hex washer head                   | WH .....     | wing head               |
| HWHTF .....  | hex washer head<br>thread forming |              |                         |



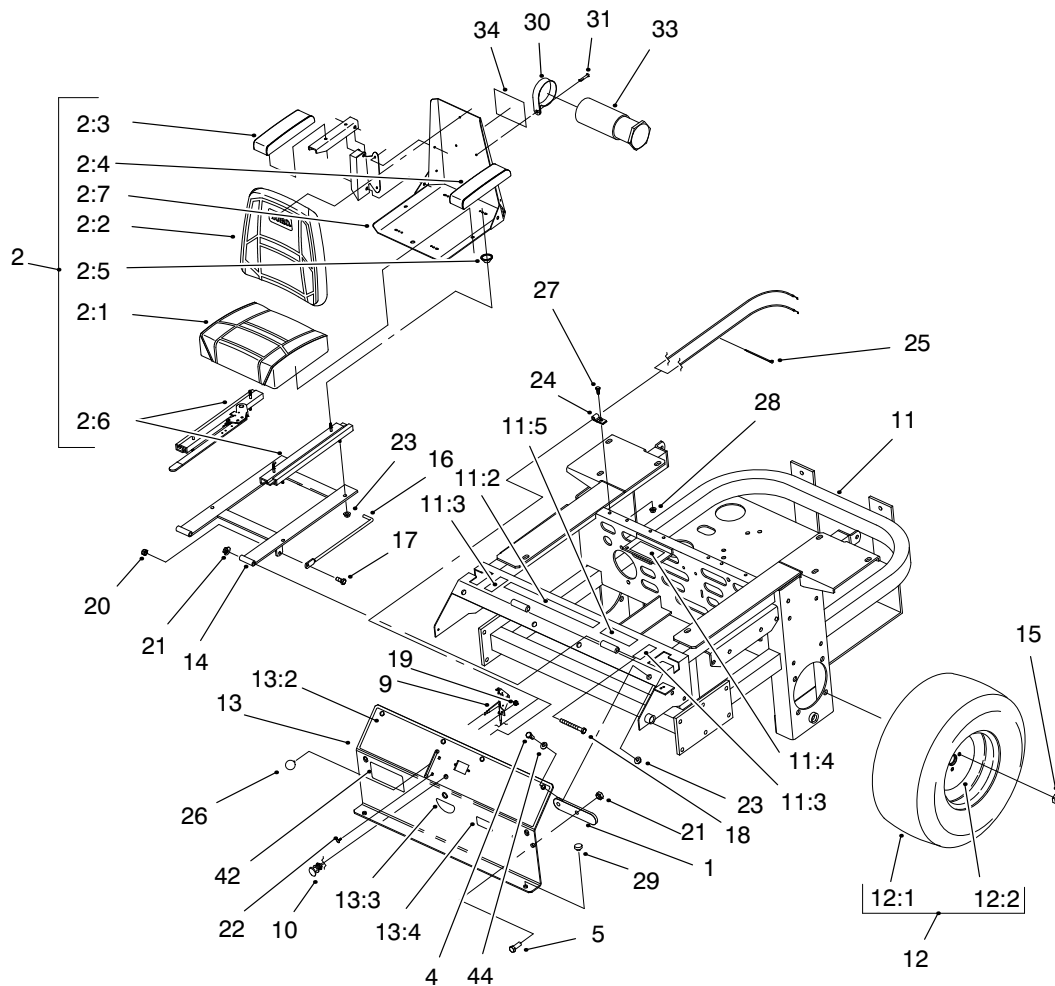
Sheet No.: 2

### Front Frame Assembly

| Ref. No. | Part No. | Qty. | Description         |
|----------|----------|------|---------------------|
| 1        | 100-4305 | 1    | Frame-Front 52"     |
| 1:2      | E633818  | 1    | Decal               |
| 1:3      | E811010  | 2    | Plug-Caster Swivel  |
| 1:4      | 320-19   | 5    | Fitting - Grease    |
| 3        | 99-4622  | 1    | Floorpan ASM        |
| 3:2      | E633553  | 3    | Pad - Antiskid      |
| 3:3      | E633766  | 1    | Decal-Check         |
| 3:4      | 98-5954  | 1    | Decal-Cover Missing |
| 3:5      | E633737  | 1    | Decal- Z-Master     |
| 5        | E632324  | 1    | Lift Lever ASM      |
| 6        | E633295  | 1    | Grip-Lift Lever     |
| 7        | E632219  | 1    | Arm-Deck Lift       |
| 8        | E633325  | 1    | Spring-Compression  |
| 9        | 3256-24  | 1    | Washer-Flat         |
| 10       | 3296-39  | 5    | Nut-Lock, Ni        |
| 11       | E808505  | 5    | Ring-Snap           |
| 12       | E633068  | 2    | Arm-Deck Lift       |
| 13       | 3272-10  | 2    | Pin-Cotter          |
| 14       | E808284  | 2    | Pin-Clevis          |
| 15       | E633889  | 1    | Plate - Deck Lift   |
| 16       | E632899  | 1    | Plate-Deck Lift     |
| 17       | E633082  | 1    | Bushing-Lift Lever  |
| 18       | E633080  | 1    | Bushing-Lift Lever  |
| 19       | 323-13   | 1    | Screw-HH            |
| 20       | E633097  | 1    | Pin-Hitch w/Lanyard |
| 21       | E806005  | 1    | Hairpin             |

| Ref. No. | Part No. | Qty. | Description        |
|----------|----------|------|--------------------|
| 22       | 323-9    | 2    | Screw-HH           |
| 23       | 98-5975  | 12   | Washer             |
| 24       | 3290-357 | 19   | Nut-Lock Flange    |
| 25       | 323-6    | 3    | Screw-HH           |
| 26       | 323-7    | 12   | Screw-HH           |
| 27       | 3256-29  | 4    | Washer-Flat        |
| 28       | E633096  | 2    | Rod-Deck Lift      |
| 29       | 3217-11  | 8    | Nut-Hex            |
| 30       | E633441  | 4    | Swivel-Deck Mount  |
| 31       | 3256-7   | 2    | Washer-Flat        |
| 32       | E653009  | 2    | Spring-Lift Assist |
| 33       | 3218-6   | 4    | Nut-Jam            |
| 34       | 3256-27  | 2    | Washer-Flat        |
| 35       | E633587  | 1    | Handle             |
| 36       | E633706  | 1    | Decal-Deck Height  |
| 37       | E633345  | 1    | Decal-Deck Height  |

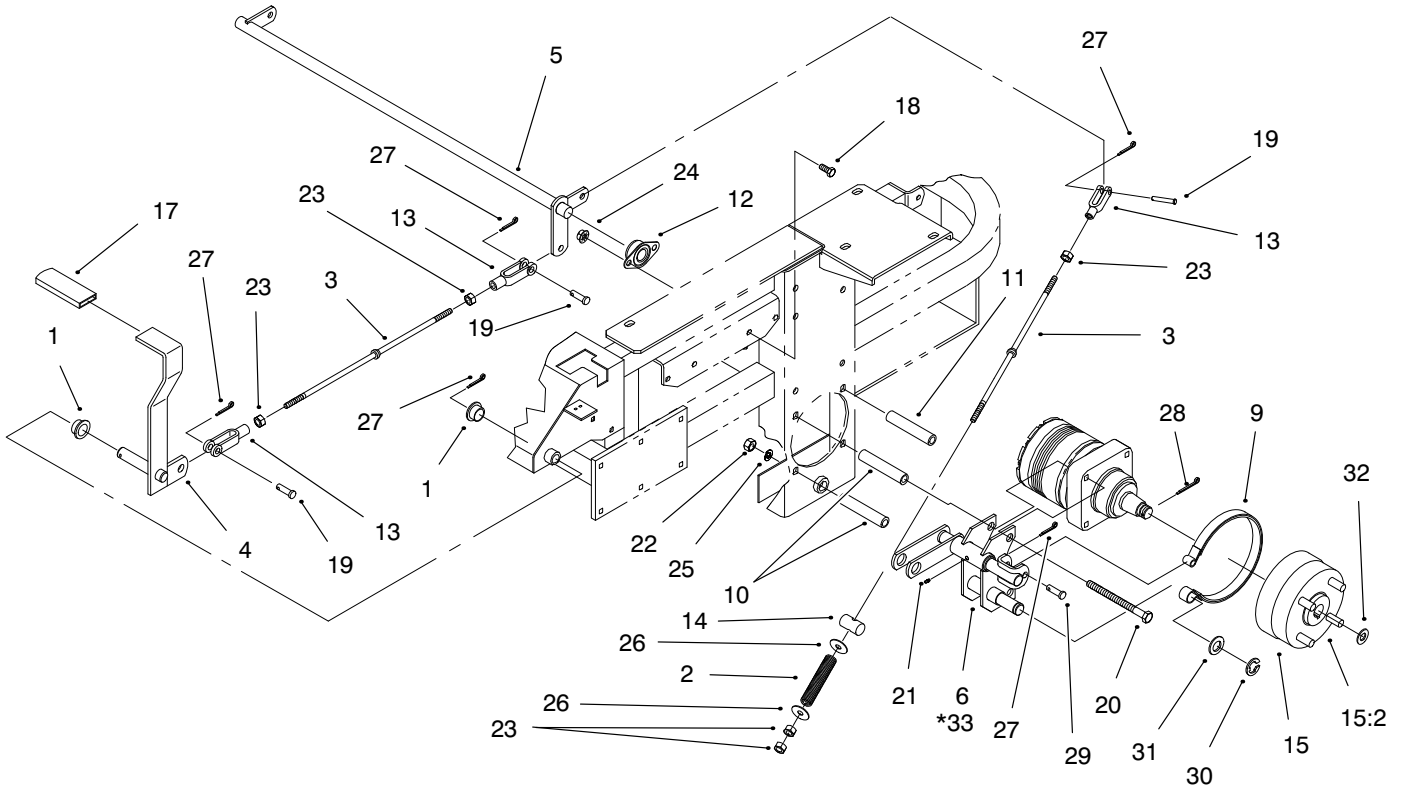




Sheet No.: 4

## Rear Frame and Wheel Assembly

| Ref. No. | Part No. | Qty. | Description                 | Ref. No. | Part No. | Qty. | Description              |
|----------|----------|------|-----------------------------|----------|----------|------|--------------------------|
| 1        | E633964  | 1    | Stop – Park Brake           | 14       | E632187  | 1    | Frame–Seat               |
| 2        | E633705  | 1    | Seat ASM w/Armrest          | 15       | E513011  | 1    | Nut–Wheel                |
| 2:1      | E543407  | 1    | Cushion–Seat                | 16       | E633293  | 1    | Rod–Seat Holdup          |
| 2:2      | E633709  | 1    | Cushion–Backrest            | 17       | 322–5    | 1    | Screw–HH                 |
| 2:3      | E633710  | 1    | Armrest – RH                | 18       | 323–21   | 2    | Screw–HH                 |
| 2:4      | E633711  | 1    | Armrest – LH                | 19       | 3296–2   | 2    | Nut–Lock                 |
| 2:5      | E543401  | 4    | Spacer–Track                | 20       | 3296–41  | 1    | Nut–Lock Ni              |
| 2:6      | E643255  | 4    | Track–Locking, 4”           | 21       | 3296–39  | 4    | Nut–Lock, Ni             |
| 2:7      | E633859  | 1    | Frame–Seat                  | 22       | E807513  | 2    | Bolt–CARR                |
| 4        | 322–3    | 8    | Screw–HH                    | 23       | 32128–20 | 12   | Nut–HF                   |
| 5        | 323–6    | 2    | Screw–HH                    | 24       | E513762  | 1    | Clip                     |
| 9        | E633696  | 1    | Cable–Throttle              | 25       | E303335  | 1    | Tie–Plastic              |
| 10       | E603336  | 1    | Control–Choke,<br>Push–Pull | 26       | E513592  | 1    | Knob–Ball, Red           |
| 11       | 100–4261 | 1    | Frame ASM–Rear              | 27       | 321–4    | 1    | Screw–HH                 |
| 11:2     | E513747  | 1    | Decal–Battery               | 28       | 32128–33 | 1    | Nut–HF                   |
| 11:3     | E633354  | 2    | Decal–Motion Control        | 29       | E513658  | 2    | Bumper–Catcher,<br>Grass |
| 11:4     | E513929  | 1    | Decal–Drive Release         | 30       | 2412–120 | 2    | R Clamp                  |
| 11:5     | E643372  | 1    | Decal Hazardous Mat.        | 31       | 32104–76 | 2    | Screw–Acorn Slot         |
| 12       | E653010  | 2    | Wheel And Tire ASM          | 33       | 74–0720  | 1    | Tube–Manual              |
| 12:1     | E653160  | 1    | Tire                        | 34       | 93–7340  | 1    | Decal–Toro               |
| 12:2     | E653158  | 1    | Wheel                       | 42       | E633736  | 1    | Decal –Z255              |
| 13       | 99–4623  | 1    | Console ASM                 | 44       | 3256–23  | 6    | Washer–Flat              |
| 13:2     | 99–4611  | 1    | Decal–Control Panel         |          |          |      |                          |
| 13:3     | E633346  | 1    | Decal–Fuel Valve            |          |          |      |                          |
| 13:4     | 98–4387  | 1    | Decal – Ear Protection      |          |          |      |                          |



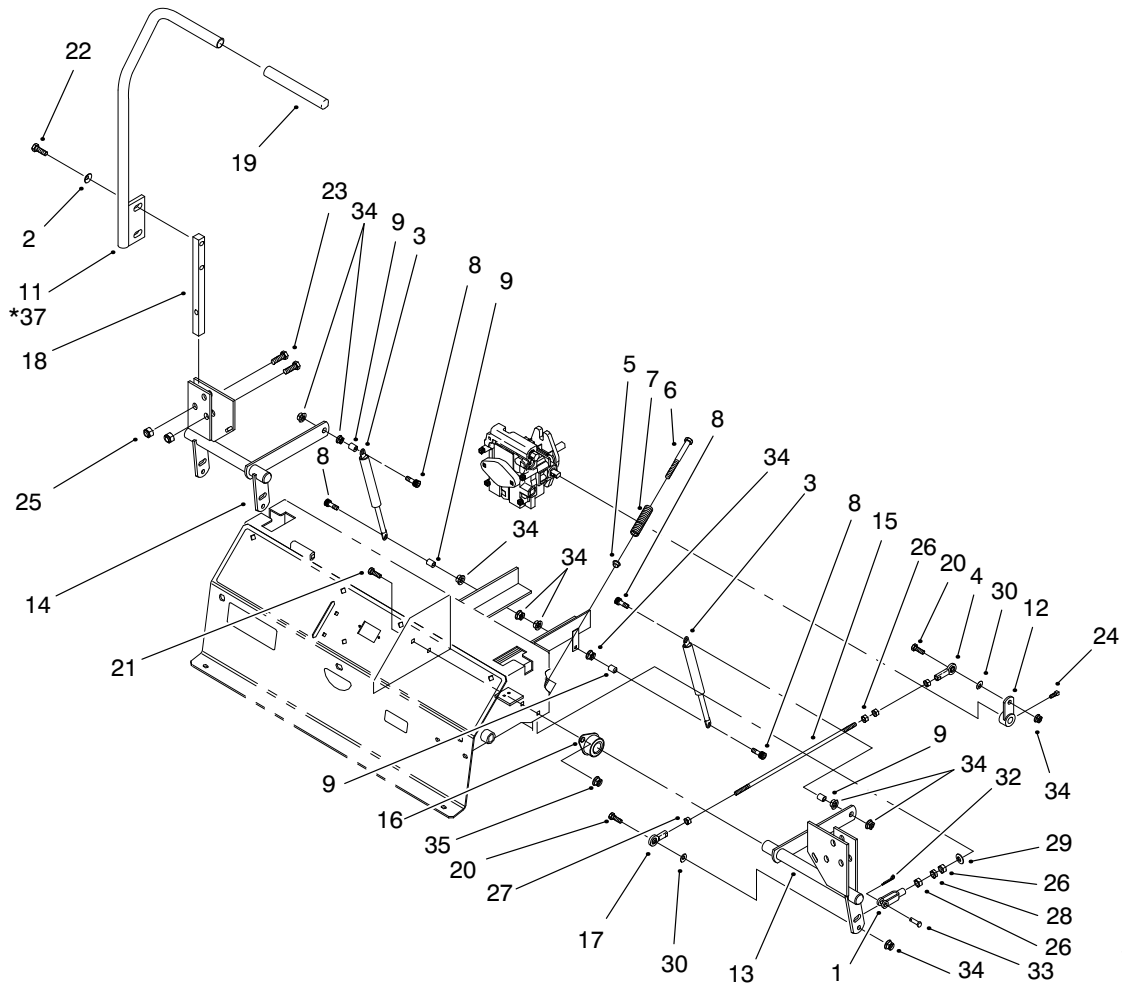
Sheet No.: 5

## Brake and Wheel Hub Assembly

| Ref. No. | Part No. | Qty. | Description         |
|----------|----------|------|---------------------|
| 1        | E513140  | 2    | Bearing, Control    |
| 2        | E633454  | 2    | Spring-Brake        |
| 3        | E633477  | 3    | Rod-Brake           |
| 4        | E632489  | 1    | Lever-Brakepoint    |
| 5        | E632217  | 1    | Shaft-Brake         |
| 6        | E632714  | 1    | Bracket-Brake,LH    |
| 9        | E633693  | 2    | Brake Band          |
| 10       | E633380  | 4    | Spacer-Short, Wheel |
| 11       | E633382  | 4    | Spacer-Long, Wheel  |
| 12       | E633102  | 2    | Bearing-Side Flange |
| 13       | E633131  | 4    | Yoke-Brake Linkage  |
| 14       | E633144  | 2    | Pin-Trunion         |
| 15       | E634927  | 2    | Hub And Drum ASM    |
| 15:2     | E633926  | 4    | Stud-Wheel          |
| 17       | E633268  | 1    | Grip-Brake Lever    |
| 18       | 323-4    | 4    | Screw-HH            |
| 19       | E808285  | 4    | Pin-Clevis          |
| 20       | 325-17   | 8    | Screw-HH            |
| 21       | E811007  | 2    | Fitting-Grease      |
| 22       | 3217-9   | 8    | Nut-Hex             |
| 23       | 3219-3   | 8    | Nut-Hex             |
| 24       | 3290-357 | 4    | Nut-Lock Flange     |
| 25       | 3253-7   | 8    | Washer-Lock/Sp      |
| 26       | 3256-4   | 4    | Washer-Flat         |
| 27       | 3272-10  | 7    | Pin-Cotter          |
| 28       | E806800  | 2    | Pin-Cotter          |

| Ref. No. | Part No. | Qty. | Description       |
|----------|----------|------|-------------------|
| 29       | E808283  | 2    | Pin-Clevis        |
| 30       | E808514  | 2    | Ring-Retaining    |
| 31       | 3256-28  | 2    | Washer-Flat       |
| 32       | E523157  | 2    | Spacer            |
| *33      | E632715  | 1    | Bracket-Brake, RH |

\* Not illustrated



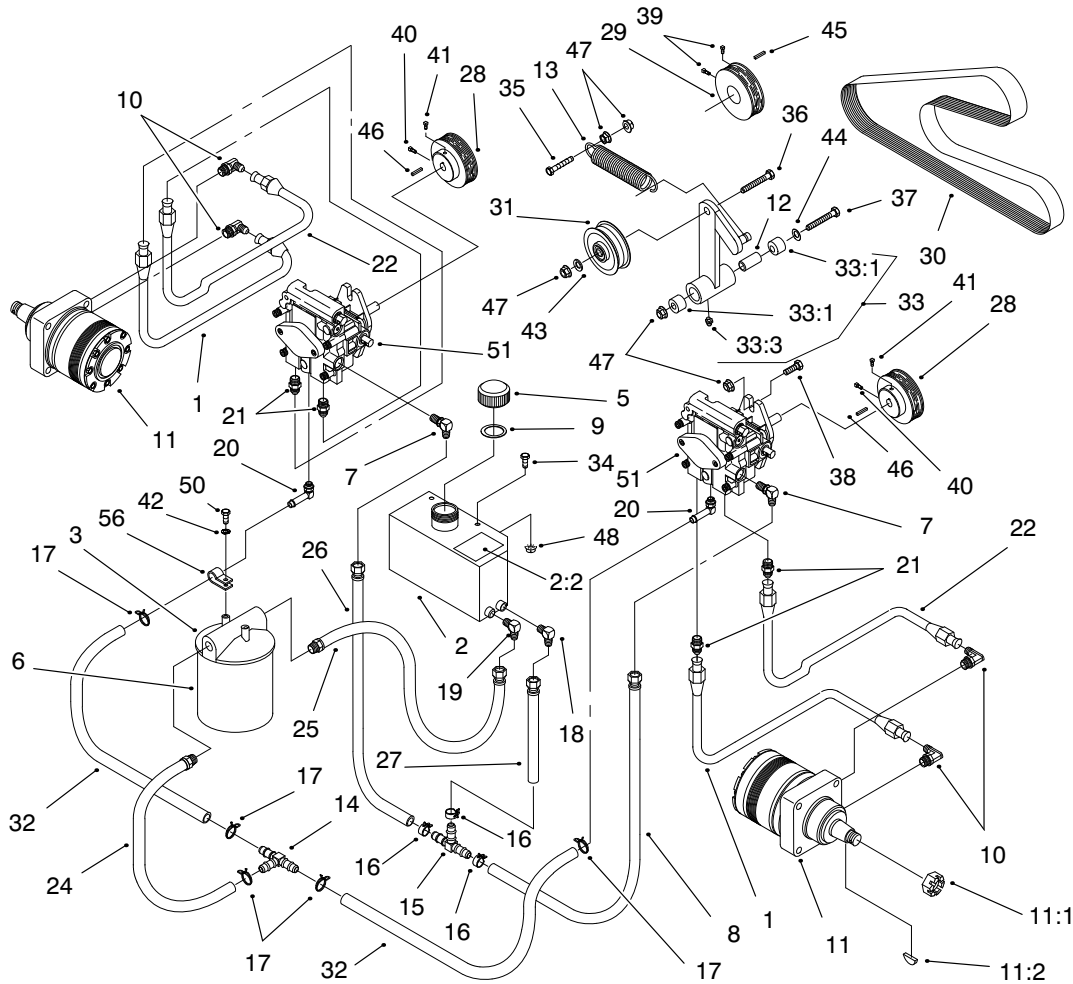
Sheet No.: 6  
C-2888

## Control Panel Assembly

| Ref. No. | Part No. | Qty. | Description              |
|----------|----------|------|--------------------------|
| 1        | E303105  | 2    | Yoke-Adjustable          |
| 2        | 98-5975  | 4    | Washer                   |
| 3        | E523027  | 2    | Damper-Control           |
| 4        | E543017  | 2    | Ball Joint               |
| 5        | E603735  | 2    | Bushing-Nylon<br>Flanged |
| 6        | E603737  | 2    | Bolt-Neutral Return      |
| 7        | E603807  | 2    | Spring-Neutral Return    |
| 8        | E403180  | 4    | Screw-HH                 |
| 9        | E653299  | 4    | Spacer-Damper            |
| 11       | E632193  | 1    | Lever-RH                 |
| 12       | E632208  | 2    | Arm-Pump Control         |
| 13       | E642319  | 1    | Motion Control, LH       |
| 14       | E642320  | 1    | Motion Control RH        |
| 15       | E633153  | 2    | Linkage                  |
| 16       | E633102  | 4    | Bearing-Side Flange      |
| 17       | E633152  | 2    | Ball Joint-LH Thread     |
| 18       | E633177  | 2    | Arm                      |
| 19       | E633257  | 2    | Grip-Motion Control      |
| 20       | 322-6    | 4    | Screw-HH                 |
| 21       | 323-4    | 8    | Screw-HH                 |
| 22       | 323-6    | 4    | Screw-HH                 |
| 23       | 323-9    | 6    | Screw-HH                 |
| 24       | E803022  | 2    | Screw                    |
| 25       | 3296-39  | 6    | Nut-Lock, Ni             |
| 26       | 3219-2   | 10   | Nut-Hex                  |

| Ref. No. | Part No. | Qty. | Description     |
|----------|----------|------|-----------------|
| 27       | 3220-20  | 2    | Nut-Jam LH      |
| 28       | 3220-2   | 2    | Nut-Jam         |
| 29       | 3256-2   | 2    | Washer-Flat     |
| 30       | 3256-3   | 4    | Washer-Flat     |
| 32       | 3272-5   | 2    | Pin-Cotter      |
| 33       | E808280  | 2    | Pin-Clevis      |
| 34       | 32128-20 | 12   | Nut-HF          |
| 35       | 3290-357 | 8    | Nut-Lock Flange |
| *37      | E632191  | 1    | Lever-LH        |

\* Not illustrated



Sheet No.: 7

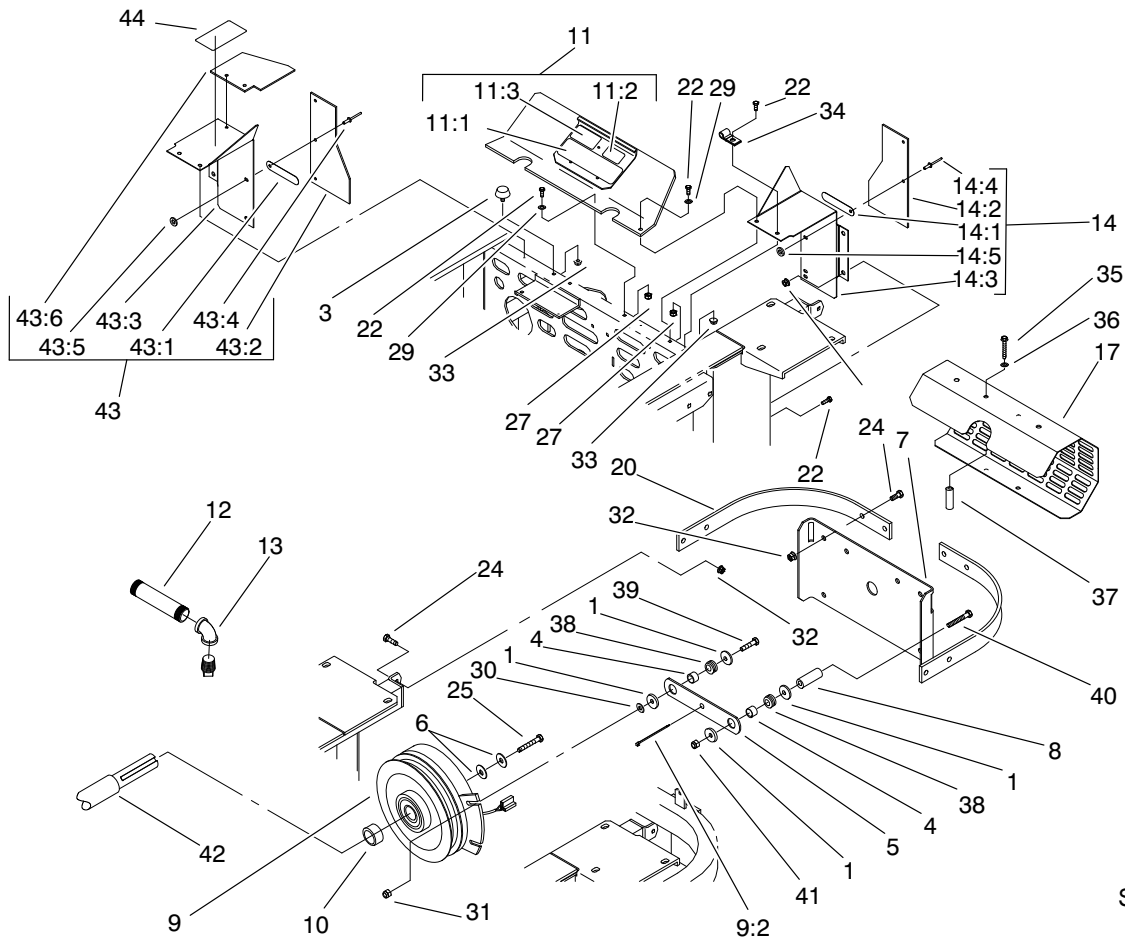
## Hydraulic System Assembly

| Ref. No. | Part No. | Qty. | Description                         |
|----------|----------|------|-------------------------------------|
| 1        | E633774  | 2    | Hose-High Pressure                  |
| 2        | 99-4625  | 1    | Hydraulic Tank ASM                  |
| 2:2      | E523552  | 1    | Decal - Hydraulic Tank, Hot Surface |
| 3        | E513006  | 1    | Filter-Head                         |
| 5        | E513167  | 1    | Cap-Hydraulic Reservoir             |
| 6        | E633750  | 1    | Filter-Hydro                        |
| 6        | E633752  | 1    | Filter-Hydro, Winter                |
| 7        | E513840  | 2    | Elbow-90                            |
| 8        | E522217  | 1    | Low Pressure Hose ASM               |
| 9        | E523103  | 1    | Gasket-Tank/Cap                     |
| 10       | E633786  | 4    | Elbow 90°                           |
| 11       | E523328  | 2    | Motor-Wheel                         |
| 11:1     | E809036  | 1    | Nut-Castle                          |
| 11:2     | E807020  | 1    | Woodruff-Key                        |
| 12       | E603384  | 1    | Bushing-Idler Pivot                 |
| 13       | E603413  | 1    | Spring-Extension                    |
| 14       | E603721  | 1    | Fitting                             |
| 15       | E603722  | 1    | Fitting                             |
| 16       | E603826  | 3    | Clamp-Hose                          |
| 17       | E603827  | 5    | Clamp-Hose                          |
| 18       | E603987  | 1    | Elbow                               |
| 19       | E603988  | 1    | Elbow                               |
| 20       | E603989  | 2    | Elbow                               |

| Ref. No. | Part No. | Qty. | Description               |
|----------|----------|------|---------------------------|
| 21       | E603990  | 4    | Adapter                   |
| 22       | E633775  | 2    | Hose-High Pressure        |
| 24       | E632281  | 1    | 12" Low Pressure Hose ASM |
| 25       | E632282  | 1    | 13" Low Pressure Hose ASM |
| 26       | E632285  | 1    | Hose-Low Pressure         |
| 27       | E632286  | 1    | Hose-Low Pressure         |
| 28       | E633568  | 2    | Sheave                    |
| 29       | E633567  | 1    | Sheave                    |
| 30       | E633749  | 1    | Belt                      |
| 31       | E633167  | 1    | Pulley-Idler              |
| 32       | E633335  | 2    | Hose-Low Pressure         |
| 33       | E634277  | 1    | Arm ASM                   |
| 33:1     | E513034  | 2    | Bearing-Pivot             |
| 33:3     | E811008  | 1    | Fitting-Grease            |
| 34       | 321-4    | 2    | Screw-HH                  |
| 35       | 323-8    | 1    | Screw-HH                  |
| 36       | 323-9    | 1    | Screw-HH                  |
| 37       | E800805  | 1    | Screw-HH                  |
| 38       | 323-7    | 4    | Screw-HH                  |
| 39       | E803022  | 2    | Screw                     |
| 40       | 3242-6   | 2    | Screw-SQH Set             |
| 41       | 3242-4   | 2    | Screw-SQH Set             |
| 42       | 3253-3   | 2    | Washer-Lock/Sp            |
| 43       | 3256-3   | 1    | Washer-Flat               |







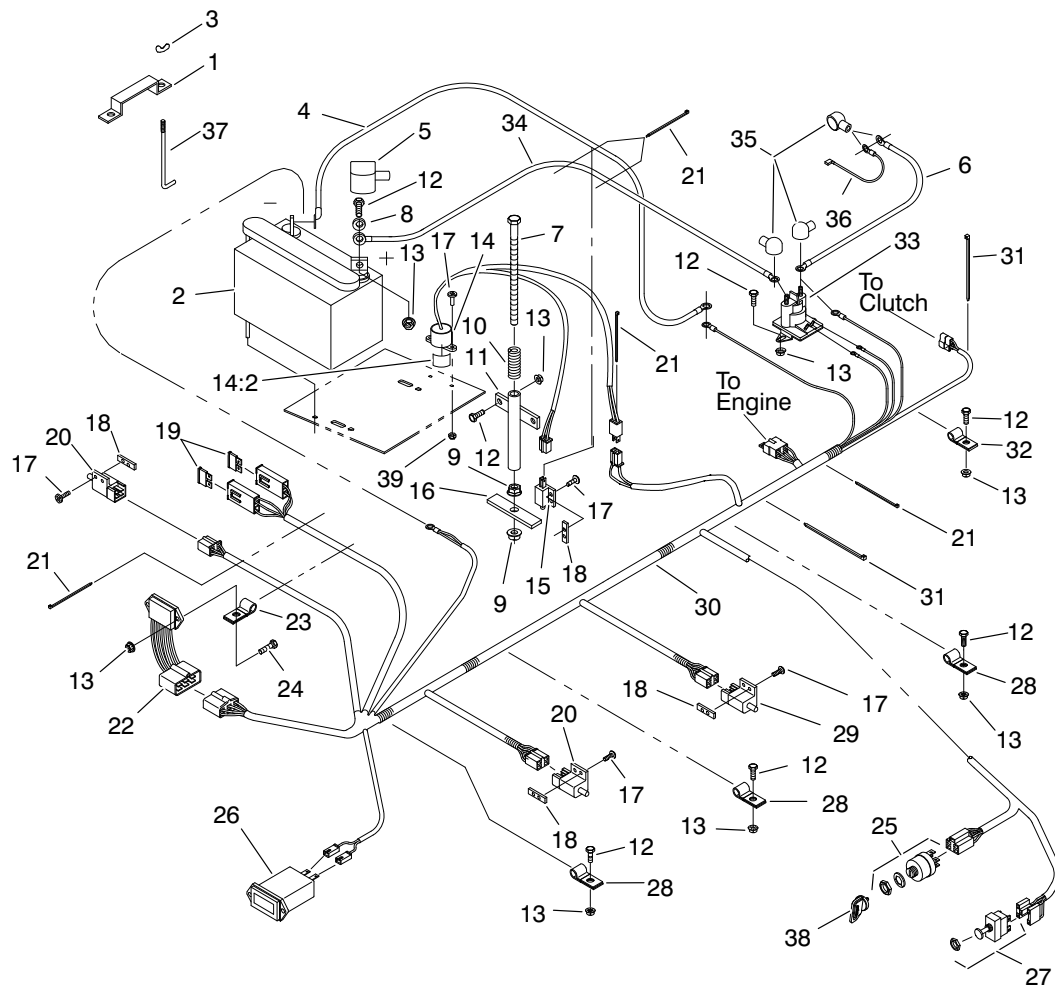
Sheet No.: 9

## Shields and Clutch Assembly

| Ref. No. | Part No. | Qty. | Description              |
|----------|----------|------|--------------------------|
| 1        | E613235  | 4    | Washer                   |
| 3        | E523420  | 2    | Bumper                   |
| 4        | E633545  | 2    | Spacer-Grommet           |
| 5        | E633543  | 1    | Strap-Clutch/Brake       |
| 6        | E603610  | 2    | Washer - Spring, Disc    |
| 7        | E633615  | 1    | Guard-Clutch             |
| 8        | E633988  | 1    | Spacer-Clutch, Anchor    |
| 9        | E631732  | 1    | Clutch                   |
| 9:2      | E303335  | 1    | Tie-Plastic              |
| 10       | E633179  | 1    | Spacer-Clutch            |
| 11       | E644276  | 1    | Shield ASM               |
| 11:1     | E643252  | 1    | Decal - Drive, Belt      |
| 11:2     | E513748  | 1    | Decal-Guard              |
| 11:3     | E633462  | 1    | Decal-Important          |
| 12       | E543232  | 1    | Nipple                   |
| 13       | E303428  | 1    | Elbow                    |
| 14       | E634796  | 1    | Shield-LH                |
| 14:1     | E523285  | 1    | Clip,Rear Baffle         |
| 14:2     | E633301  | 1    | Shield - Engine          |
| 14:3     | E633795  | 1    | Baffle-Engine Shield, LH |
| 14:4     | E803035  | 3    | Pop Rivet                |
| 14:5     | 3256-23  | 3    | Washer-Flat              |
| 17       | E643313  | 1    | Guard-Muffler            |
| 20       | E643264  | 2    | Bracket-Guard, Top       |

| Ref. No. | Part No. | Qty. | Description           |
|----------|----------|------|-----------------------|
| 22       | 321-4    | 10   | Screw-HH              |
| 24       | 323-6    | 6    | Screw-HH              |
| 25       | 3212-10  | 1    | Screw-HH              |
| 27       | 32146-17 | 4    | Nut-Lock              |
| 29       | 3256-2   | 4    | Washer-Flat           |
| 30       | 3256-3   | 1    | Washer-Flat           |
| 31       | 32128-20 | 1    | Nut-HF                |
| 32       | 3290-357 | 4    | Nut-Lock Flange       |
| 33       | 32128-33 | 7    | Nut-HF                |
| 34       | E633396  | 1    | Clip - Loom           |
| 35       | E809076  | 2    | Screw-HH              |
| 36       | E323235  | 2    | Washer Spring, Disc   |
| 37       | E323236  | 2    | Spacer                |
| 38       | E633630  | 2    | Grommet               |
| 39       | 322-6    | 1    | Screw-HH              |
| 40       | 322-19   | 1    | Screw-HH              |
| 41       | 3296-41  | 1    | Nut-Lock Ni           |
| 42       | E633830  | 1    | Kohler Command Ch25   |
| 43       | E644316  | 1    | Shield ASM, RH        |
| 43:1     | E523285  | 1    | Clip,Rear Baffle      |
| 43:2     | E633301  | 1    | Shield - Engine       |
| 43:3     | E633794  | 1    | Shield - RH           |
| 43:4     | E803035  | 5    | Pop Rivet             |
| 43:5     | 3256-23  | 5    | Washer-Flat           |
| 43:6     | E643315  | 1    | Baffle, Engine Cooler |
| 44       | E643339  | 1    | Decal-Belt Routing    |



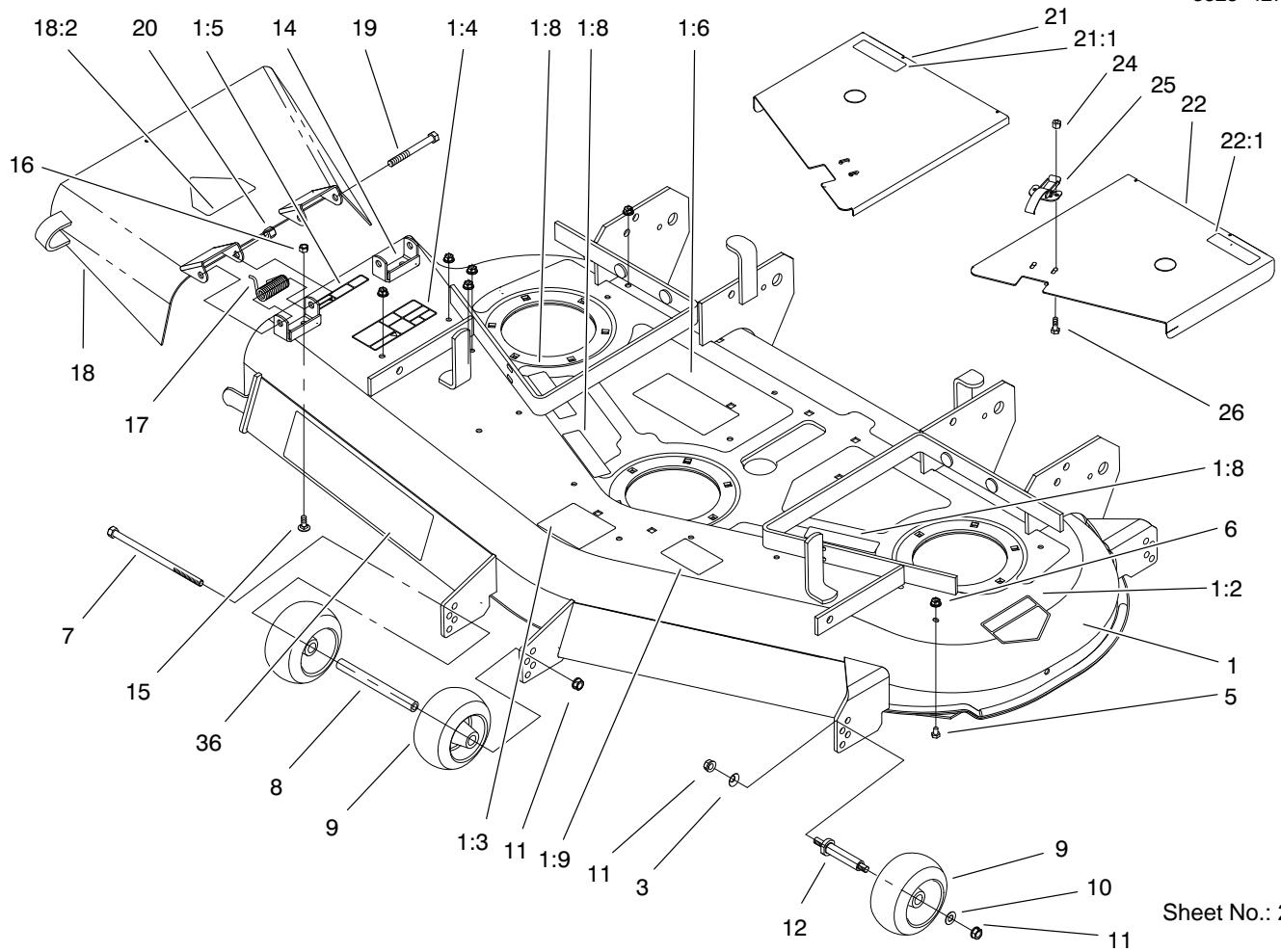


Sheet No.: 11

## Electrical System Assembly

| Ref. No. | Part No. | Qty. | Description             | Ref. No. | Part No. | Qty. | Description            |
|----------|----------|------|-------------------------|----------|----------|------|------------------------|
| 1        | E633652  | 1    | Strap-Battery Hold Down | 23       | E513762  | 1    | Clip                   |
| 2        | E603479  | 1    | Battery-12v             | 24       | 321-6    | 1    | Screw-HH               |
| 3        | E543792  | 2    | Wingnut-Nyloc           | 25       | E543070  | 1    | Switch-Ignition        |
| 4        | E633307  | 1    | Wire-Ground             | 26       | E513374  | 1    | Meter-Engine Hours     |
| 5        | E543391  | 1    | Insulator-Battery       | 27       | E633673  | 1    | Switch-PTO             |
| 6        | E633306  | 1    | Wire-Starter            | 28       | E633396  | 3    | Clip - Loom            |
| 7        | E800282  | 1    | Screw-HH                | 29       | E633110  | 1    | Switch-Brake           |
| 8        | 3256-2   | 2    | Washer-Flat             | 30       | E643119  | 1    | Harness-Wiring         |
| 9        | 32128-20 | 2    | Nut-HF                  | 31       | E303335  | 4    | Tie-Plastic            |
| 10       | E523415  | 1    | Spring-Switch, Seat     | 32       | E323229  | 1    | Clip-Loom              |
| 11       | E522424  | 1    | Spring Mount            | 33       | E513075  | 1    | Switch-12v Solenoid    |
| 12       | 321-4    | 8    | Screw-HH                | 34       | E523281  | 1    | Cable-Battery          |
| 13       | 32128-33 | 11   | Nut-HF                  | 35       | E543393  | 3    | Insulator-Solenoid     |
| 14       | E644427  | 1    | Switch-Tilt             | 36       | E543084  | 1    | Wire-Starter Solonoid  |
| 14:2     | E643401  | 1    | Decal-Mercury Switch    | 37       | E633651  | 2    | Bolt-Battery Hold Down |
| 15       | E513152  | 1    | Switch-Seat             | 38       | 63-8360  | 2    | Key-Ignition w/Shield  |
| 16       | E513180  | 1    | Actuator - Switch, Seat | 39       | 3296-2   | 2    | Nut-Lock               |
| 17       | E803028  | 10   | Screw                   |          |          |      |                        |
| 18       | E633181  | 4    | Plate-Tapped            |          |          |      |                        |
| 19       | E816001  | 2    | Fuse-Blade Type 20 Amp  |          |          |      |                        |
| 20       | E633111  | 2    | Switch-Drive Lever      |          |          |      |                        |
| 21       | E303287  | 5    | Tie-Plastic             |          |          |      |                        |
| 22       | E543316  | 1    | Module-Safety           |          |          |      |                        |



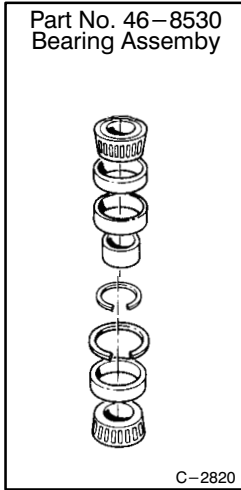
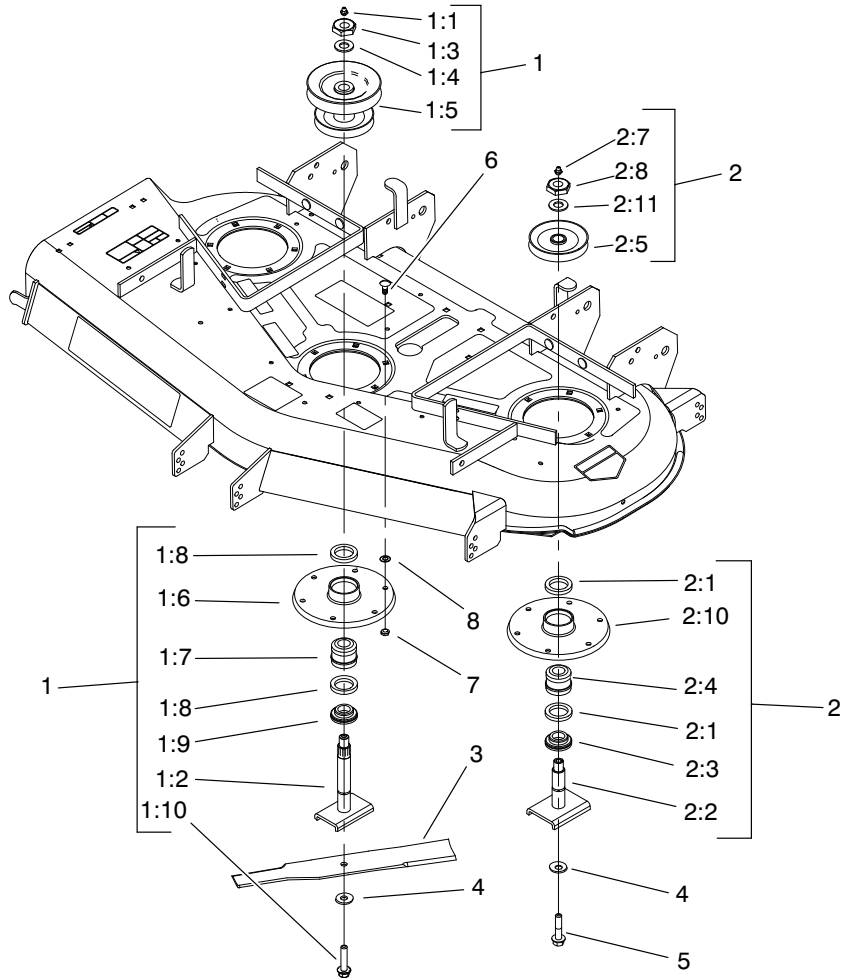


Sheet No.: 22

## Deck, Deflector and Roller Assembly

| Ref. No. | Part No.   | Qty. | Description             |
|----------|------------|------|-------------------------|
| 1        | 100-4266   | 1    | 52" Deck ASM            |
| 1:2      | 43-8480    | 1    | Decal-Danger            |
| 1:3      | 98-3798    | 1    | Decal-Gage Wheel        |
| 1:4      | 66-1340    | 1    | Decal-Danger            |
| 1:5      | 66-6380    | 1    | Decal-Danger            |
| 1:6      | 98-3799    | 1    | Decal-Belt Routing      |
| 1:8      | 98-5954    | 3    | Decal-Cover Missing     |
| 1:9      | 93-7818    | 1    | Decal-Blade Bolt Torque |
| 3        | 98-5975    | 3    | Washer                  |
| 5        | 321-1      | 6    | Screw-HH                |
| 6        | 32128-33   | 6    | Nut-HF                  |
| 7        | 323-28     | 1    | Screw-HH                |
| 8        | 98-5967    | 1    | Spacer-Wheel            |
| 9        | 68-2730    | 5    | Wheel-Gage              |
| 10       | E373034    | 3    | Washer-Swivel           |
| 11       | 3290-357   | 7    | Nut-Lock Flange         |
| 12       | 99-2842    | 3    | Spacer-Wheel            |
| 14       | 29-5590-01 | 2    | Bracket-Pivot           |
| 15       | 3230-18    | 4    | Screw-CARR              |
| 16       | 32152-1    | 4    | Nut-Lock                |
| 17       | 40-6230    | 2    | Spring                  |
| 18       | 98-5984    | 1    | Deflector ASM           |
| 18:2     | 54-9220    | 1    | Decal-Danger            |
| 19       | 3211-15    | 2    | Screw-HH                |
| 20       | 3296-5     | 2    | Nut-Lock, Ni            |

| Ref. No. | Part No. | Qty. | Description         |
|----------|----------|------|---------------------|
| 21       | 98-5963  | 1    | Assembly - RH Cover |
| 21:1     | 67-5360  | 1    | Decal-Danger        |
| 22       | 98-5965  | 1    | Assembly - LH Cover |
| 22:1     | 67-5360  | 1    | Decal-Danger        |
| 24       | 32128-17 | 4    | Nut-Flange Lock     |
| 25       | 249-21   | 2    | Clamp-Slotted       |
| 26       | 3290-321 | 4    | Screw-HWH           |
| 36       | 98-5953  | 1    | Decal-Sfs           |



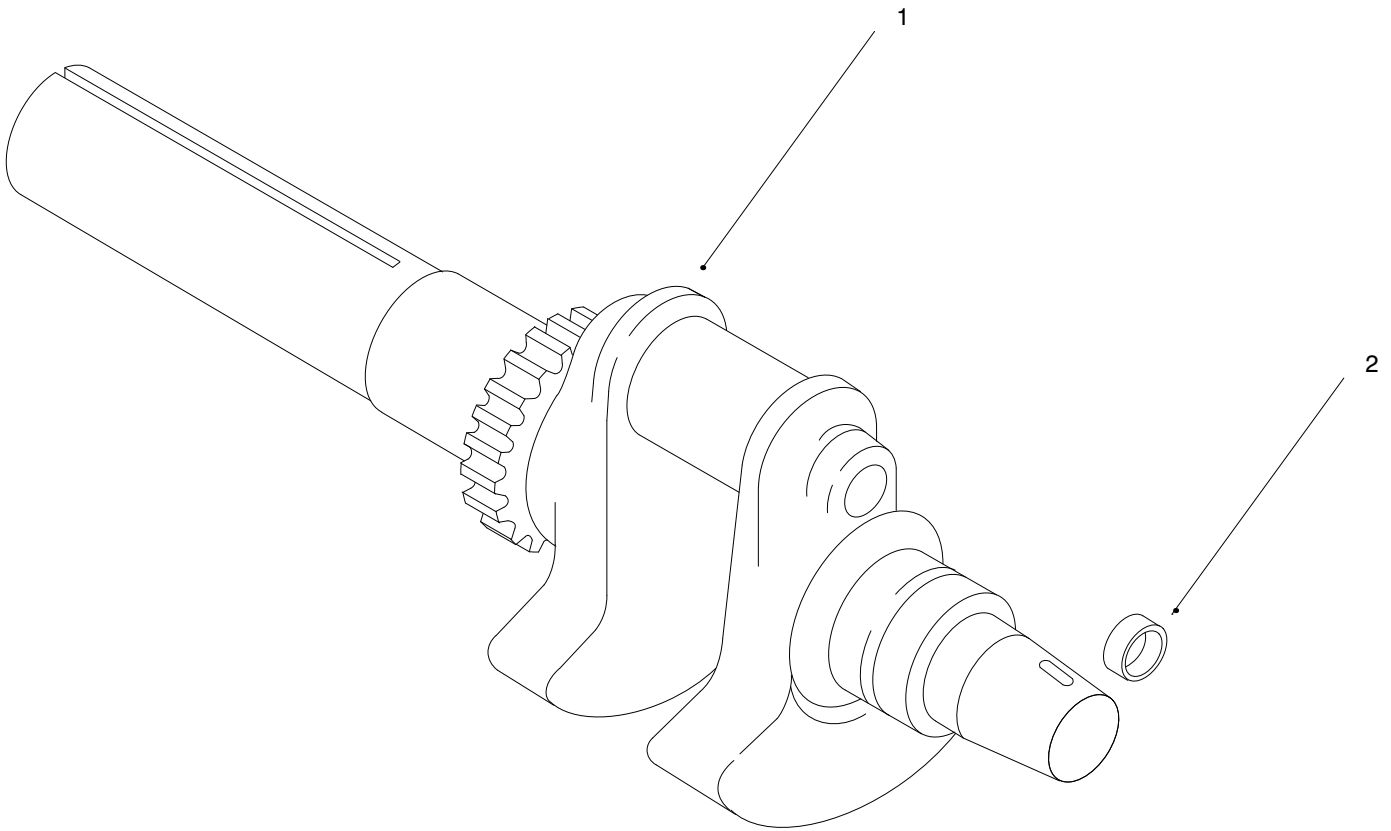
Sheet No.: 23

## Spindle and Pulley Assembly

| Ref. No. | Part No. | Qty. | Description                |
|----------|----------|------|----------------------------|
| 1        | 100-2313 | 1    | Spindle Housing ASM        |
| 1:1      | 302-2    | 1    | Fitting-Grease             |
| 1:2      | 51-3551  | 1    | Shaft-Spindle              |
| 1:3      | 32146-20 | 1    | Nut-Jam                    |
| 1:4      | 92-5836  | 1    | Washer - Axle              |
| 1:5      | 100-2312 | 1    | Pulley And Hub ASM         |
| 1:6      | 61-4160  | 1    | Spindle                    |
| 1:7      | 46-8530  | 1    | Bearing ASM                |
| 1:8      | 253-139  | 2    | Seal-Oil                   |
| 1:9      | 27-0950  | 1    | Spacer-Bearing,<br>Spindle |
| 1:10     | 92-5816  | 1    | Flangebolt-Blade           |
| 2        | 99-4639  | 2    | Spindle ASM                |
| 2:1      | 253-139  | 2    | Seal-Oil                   |
| 2:2      | 27-0920  | 1    | Shaft-Spindle              |
| 2:3      | 27-0950  | 1    | Spacer-Bearing,<br>Spindle |
| 2:4      | 46-8530  | 1    | Bearing ASM                |
| 2:5      | 99-4613  | 1    | Pulley & Hub               |
| 2:7      | 302-2    | 1    | Fitting-Grease             |
| 2:8      | 32146-20 | 1    | Nut-Jam                    |
| 2:10     | 61-4160  | 1    | Spindle                    |
| 2:11     | 7-4150   | 1    | Washer-Pinion              |
| 3        | 27-0990  | 3    | Blade                      |
| 4        | E513435  | 3    | Washer-Spring              |
| 5        | 92-5816  | 2    | Flangebolt-Blade           |

| Ref. No. | Part No. | Qty. | Description    |
|----------|----------|------|----------------|
| 6        | 3231-22  | 16   | Screw-CARR     |
| 7        | 32128-21 | 16   | Nut-Hex Flange |
| 8        | 3256-24  | 1    | Washer-Flat    |





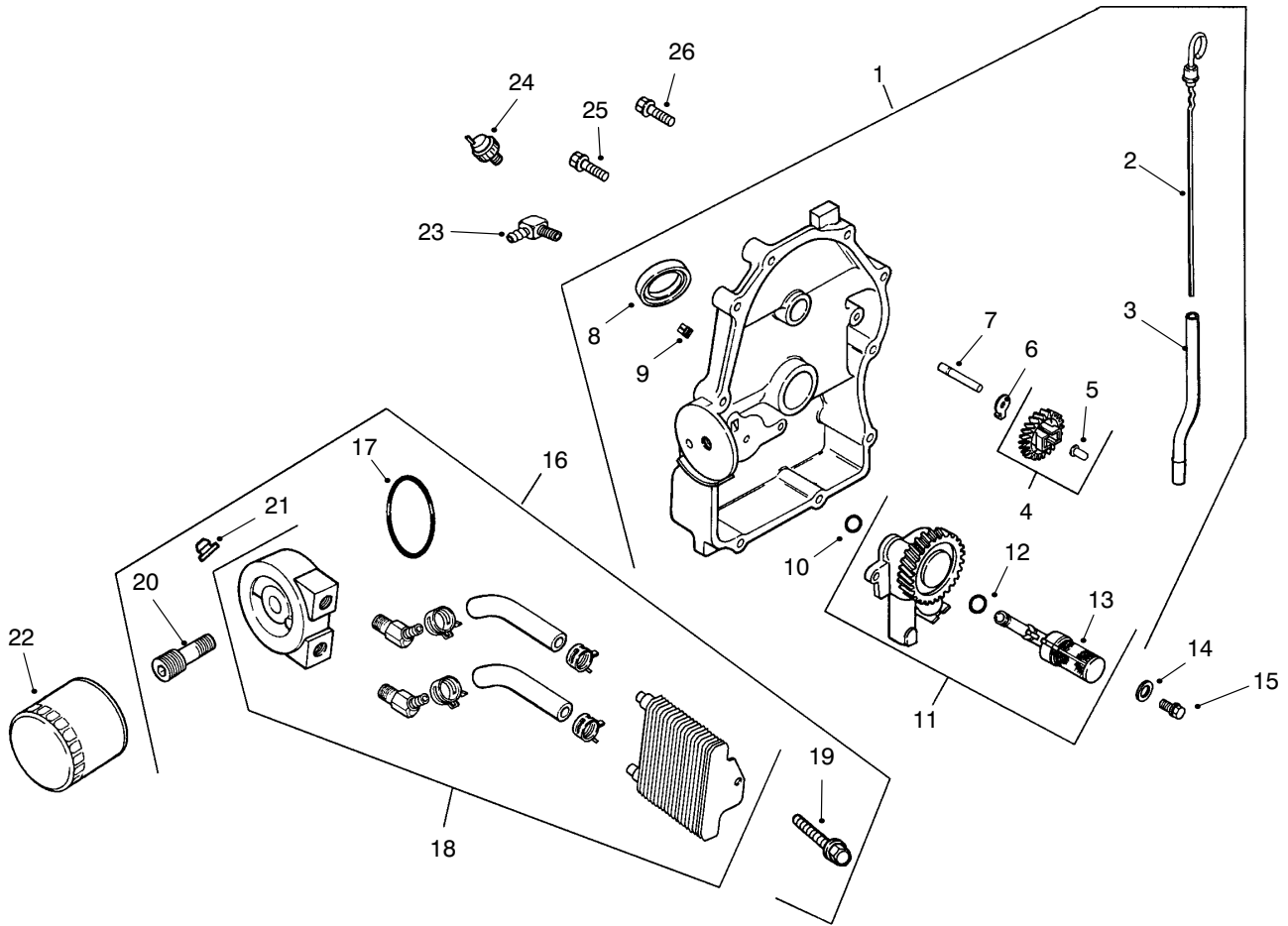
### Group 1 – Crankshaft (CH25S 68606 Kohler)

| Ref. No. | Part No.  | Qty. | Description             |
|----------|-----------|------|-------------------------|
| 1        | 24 014 06 | 1    | Crankshaft (Includes 2) |
| 2        | 52 139 09 | 1    | Plug, cup               |

| Ref. No. | Part No. | Qty. | Description |
|----------|----------|------|-------------|
|          |          |      |             |

Obtain Parts From Kohler



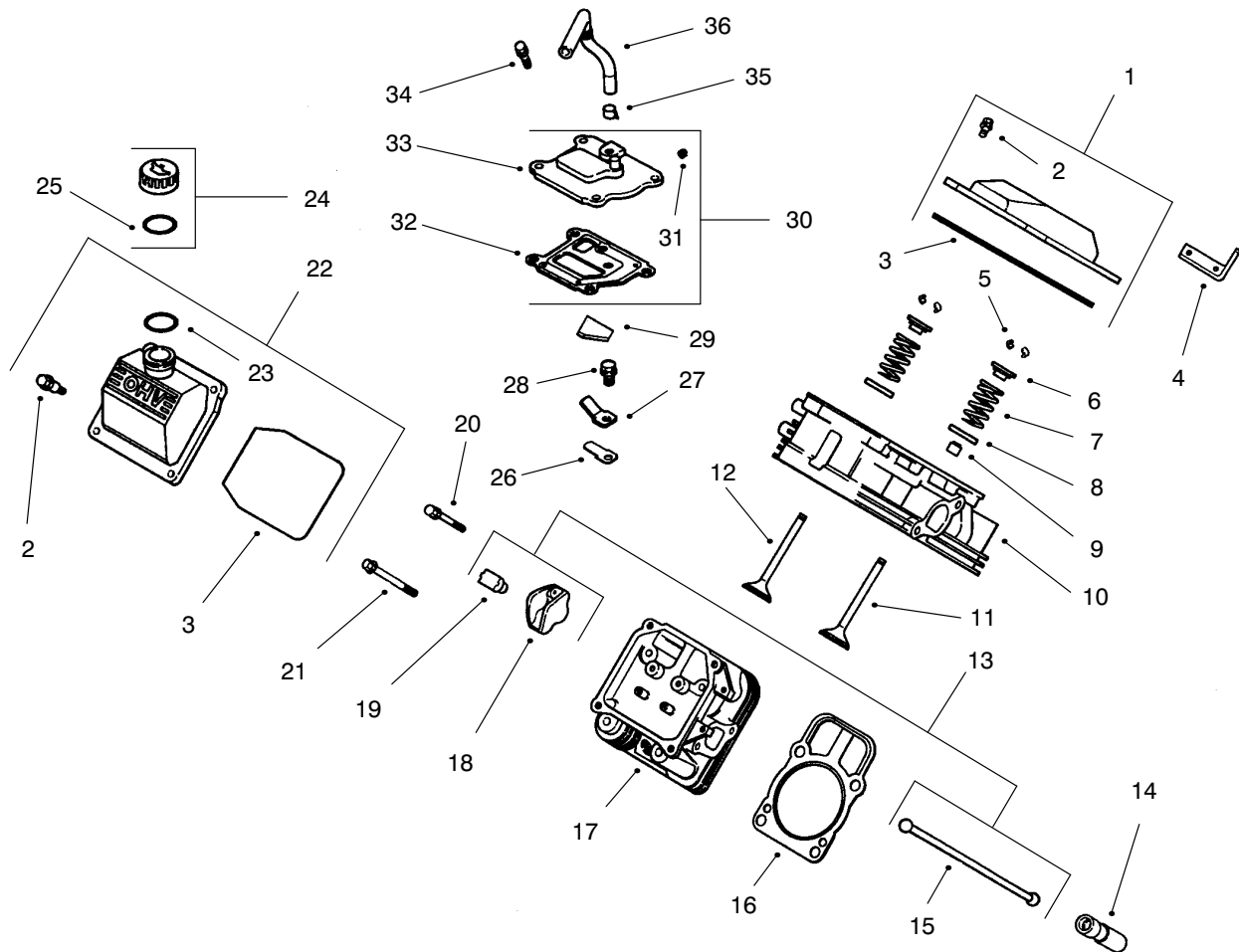


### Group 3 – Oil Pan/Lubrication (CH25S 68606 Kohler)

| Ref. No. | Part No.  | Qty. | Description                             |
|----------|-----------|------|---|
| 1        | 24 009 83 | 1    | Plate, closure assembly (Includes 2-12) |
| 2        | 24 038 06 | 1    | Dipstick                                |
| 3        | 24 123 08 | 1    | Tube, dipstick                          |
| 4        | 24 043 12 | 1    | Kit, governor gear (Includes 5)         |
| 5        | 12 380 01 | 1    | Pin, governor regulating                |
| 6        | 52 448 02 | 1    | Tab, locking                            |
| 7        | 12 144 02 | 1    | Shaft, governor gear                    |
| 8        | 52 032 08 | 1    | Seal, oil (PTO end)                     |
| 9        | X-75-23   | 2    | Plug, pipe 1/8"                         |
| 10       | 24 153 08 | 1    | O-Ring                                  |
| 11       | 24 393 10 | 1    | Oil pump assembly (Includes 12,13)      |
| 12       | 24 153 01 | 1    | O-Ring, oil pick-up                     |
| 13       | 24 381 04 | 1    | Pick-up, oil                            |
| 14       | M-0631005 | 2    | Washer, plain 6 mm                      |
| 15       | M-0645025 | 2    | Screw, hex flange                       |
| 16       | 54 755 14 | 1    | Kit, oil cooler (Incl. 17-21)           |
| 17       | 24 253 17 | 1    | O-Ring                                  |
| 18       | 24 594 15 | 1    | Cooler, oil                             |
| 19       | 24 086 12 | 2    | Screw, hex                              |
| 20       | 24 136 05 | 1    | Nipple, oil filter                      |
| 21       | 24 100 01 | 2    | Nut, plastic                            |
| 22       | 52 050 02 | 1    | Filter, oil                             |

| Ref. No. | Part No.  | Qty. | Description       |
|----------|-----------|------|-------------------|
| 23       | 25 155 02 | 1    | Connector         |
| 24       | 24 099 03 | 1    | Switch, pressure  |
| 25       | 24 086 16 | 9    | Screw, hex flange |
| 26       | 24 086 17 | 1    | Screw, hex flange |
| *        | 24 113 25 | 1    | Decal, oil cooler |

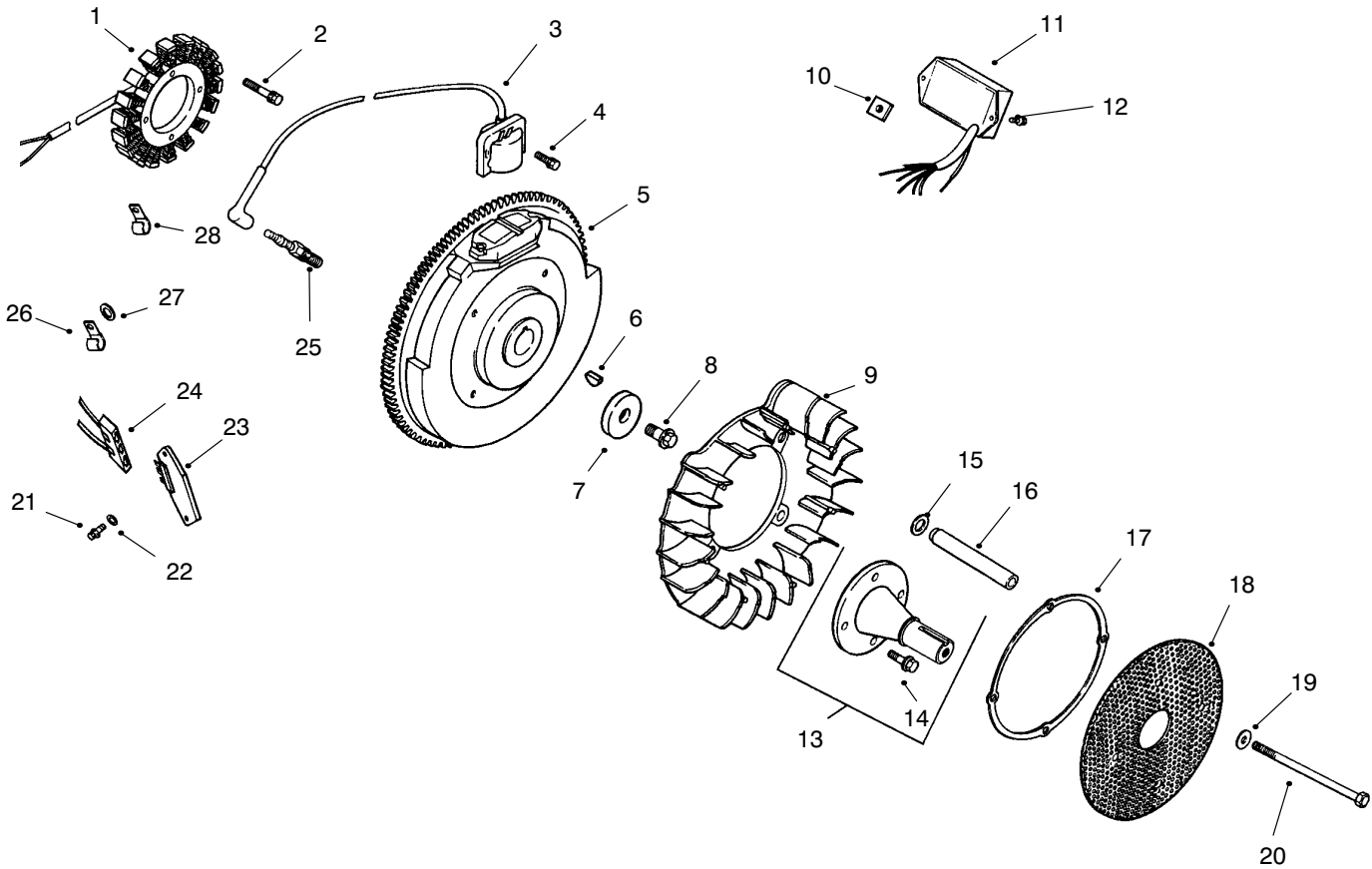
\*Not Illustrated  
Obtain Parts From Kohler



## Group 4 – Head/Valve/Breather (CH25S 68606 Kohler)

| Ref. No. | Part No.  | Qty. | Description                                | Ref. No. | Part No.  | Qty. | Description                                      |
|----------|-----------|------|--|----------|-----------|------|--|
| 1        | 24 755 74 | 1    | Kit, valve cover – plain<br>(Includes 2–3) | 21       | 24 086 44 | 8    | Screw, hex. flange                               |
| 2        | 24 086 32 | 4    | Screw, shoulder                            | 22       | 24 755 75 | 1    | Kit, valve cover – oil fill<br>(Includes 2,3,23) |
| 3        | 24 153 16 | 1    | O-Ring, valve cover                        | 23       | 24 153 09 | 1    | O-Ring   |
| 4        | 24 445 01 | 1    | Strap, lifting                             | 24       | 24 755 46 | 1    | Kit, oil fill cap<br>(Includes 25)               |
| 5        | 12 755 03 | 4    | Kit, retainer                              | 25       | 12 153 03 | 1    | O-Ring, oil fill cap                             |
| 6        | 12 173 01 | 4    | Cap, valve spring                          | 26       | 24 402 03 | 1    | Reed, breather                                   |
| 7        | 24 089 02 | 4    | Spring, valve                              | 27       | 12 018 01 | 1    | Retainer, breather reed                          |
| 8        | 235011    | 4    | Retainer, spring                           | 28       | M-0545010 | 1    | Screw, hex. flange                               |
| 9        | 24 032 05 | 2    | Seal, valve stem                           | 29       | 24 050 01 | 1    | Filter, breather                                 |
| 10       | 24 318 13 | 1    | Head assembly, #1<br>cylinder              | 30       | 24 033 01 | 1    | Kit, breather<br>(Includes 31–33)                |
| 11       | 24 017 01 | 2    | Valve, intake (Std.)                       | 31       | X-75-23   | 1    | Plug, allen head pipe                            |
|          | 24 017 02 | 2    | Valve, intake (.25)                        | 32       | 24 041 23 | 1    | Gasket, breather                                 |
| 12       | 24 016 01 | 2    | Valve, exhaust (Std.)                      | 33       | 24 096 02 | 1    | Cover, breather                                  |
|          | 24 016 02 | 2    | Valve, exhaust (.25)                       | 34       | M-0645020 | 4    | Screw, hex. flange                               |
| 13       | 24 755 66 | 1    | Kit, valve train<br>(Includes 15,18,19)    | 35       | X-426-9   | 1    | Clamp, breather                                  |
| 14       | 12 351 02 | 4    | Lifter, valve                              | 36       | 24 326 06 | 1    | Hose, breather                                   |
| 15       | 24 411 05 | 4    | Rod, push                                  |          |           |      |  |
| 16       | 24 041 37 | 2    | Gasket, cylinder head                      |          |           |      |  |
| 17       | 24 318 14 | 1    | Head assembly,<br>#2 cylinder              |          |           |      |  |
| 18       | 25 186 01 | 4    | Arm, rocker                                |          |           |      |  |
| 19       | 24 599 01 | 4    | Pivot, rocker arm                          |          |           |      |  |
| 20       | M-0640034 | 4    | Screw, hex. flange                         |          |           |      |  |

Obtain Parts From Kohler



### Group 5 – Ignition/Electrical (CH25S 68606 Kohler)

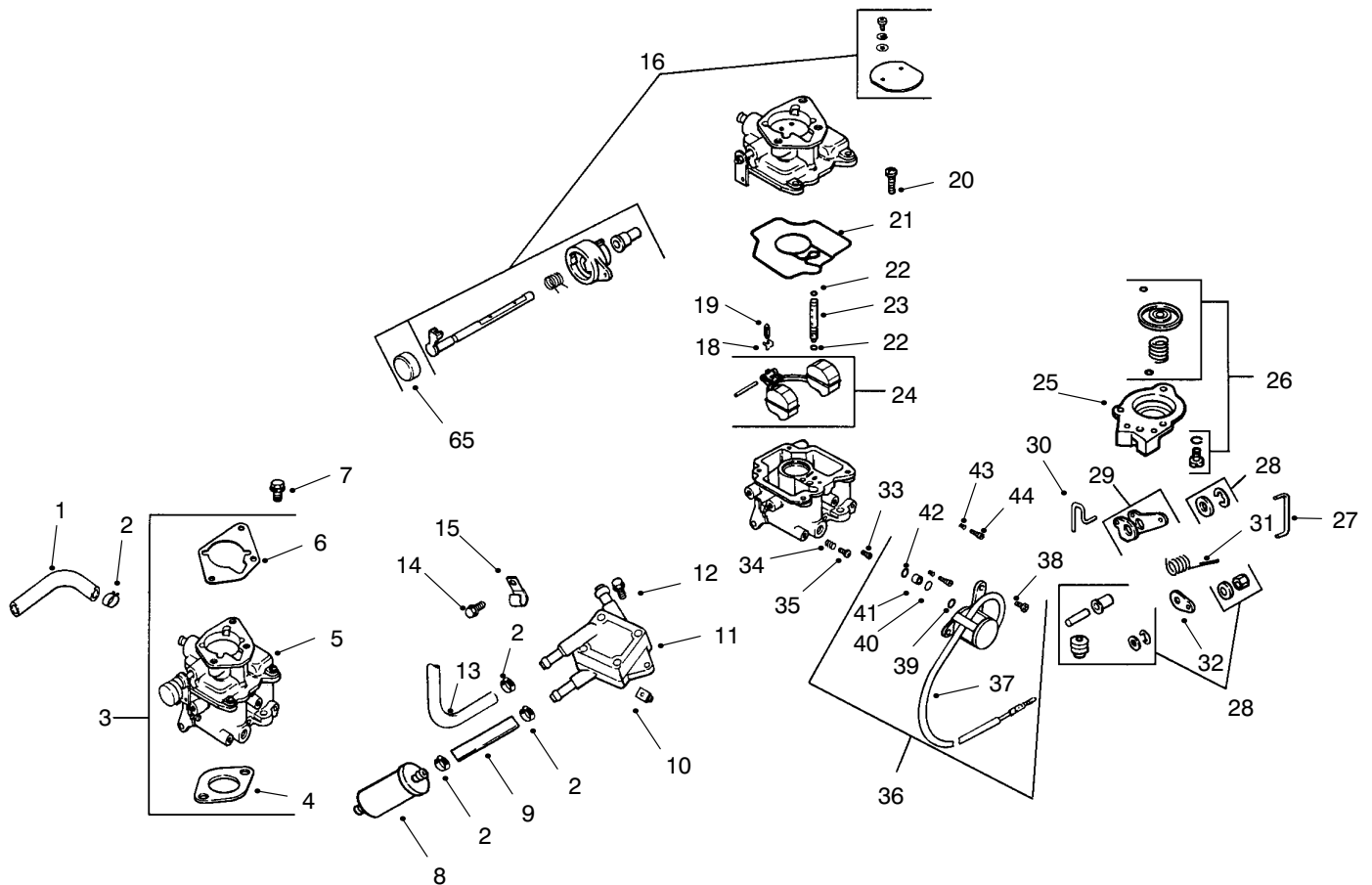
| Ref. No. | Part No.  | Qty. | Description                                     |
|----------|-----------|------|---|
| 1        | 54 755 09 | 1    | Kit, 15 amp stator<br>(Incl. 24 126 71 bracket) |
| 2        | M-0548025 | 2    | Screw, hex. cap                                 |
| 3        | 24 584 11 | 2    | Module, ignition                                |
| 4        | M-0561025 | 4    | Screw, hex. socket hd.                          |
| 5        | 24 025 03 | 1    | Flywheel  |
| 6        | X-42-15   | 1    | Key   |
| 7        | 12 468 03 | 1    | Washer, plain 3/8"                              |
| 8        | 12 086 14 | 1    | Screw, hex flange                               |
| 9        | 24 157 03 | 1    | Fan   |
| 10       | 24 100 02 | 2    | Nut, plastic                                    |
| 11       | 24 584 09 | 1    | Module, spark advance                           |
| 12       | 24 086 41 | 2    | Screw, phillips hd.                             |
| 13       | 24 755 08 | 1    | Kit, front drive shaft<br>(Includes 14)         |
| 14       | M-0839025 | 4    | Screw, hex flange                               |
| 15       | 24 468 11 | 4    | Washer, spring 10mm                             |
| 16       | 24 112 14 | 4    | Spacer  |
| 17       | 24 141 06 | 1    | Ring, support                                   |
| 18       | 24 162 22 | 1    | Screen, grass                                   |
| 19       | X-25-53   | 4    | Washer, plain 1/4"                              |
| 20       | M-0603100 | 4    | Screw, hex                                      |
| 21       | 24 086 18 | 2    | Screw, phillips hd.                             |
| 22       | X-25-92   | 2    | Washer, plain 3/16                              |
| 23       | 25 403 03 | 1    | Rectifier-regulator 15 amp                      |

| Ref. No. | Part No.  | Qty. | Description   |
|----------|-----------|------|---|
| 24       | 236602    | 1    | Connector   |
| 25       | 12 132 06 | 2    | Spark Plug  |
| 26       | 47 154 01 | 1    | Clip, cable   |
| 27       | X-25-63   | 1    | Washer, plain 1/4"  |
| 28       | 48 154 02 | 1    | Clip, cable   |
| *        | 25 518 28 | 1    | Lead, black, (4" – 18 gauge – insulated grip barrel eyelet terminals) |
| *        | 24 176 38 | 1    | Harness, wiring   |
| *        | 24 755 56 | 1    | Kit, wiring (Includes Terminal #25 542 17 & Tie X-468-1)              |
| *        | 24 126 71 | 1    | Bracket, stator wire  |
| *        | X-22-11   | 1    | Washer, lock  |

\*Not Illustrated  
Obtain Parts From Kohler





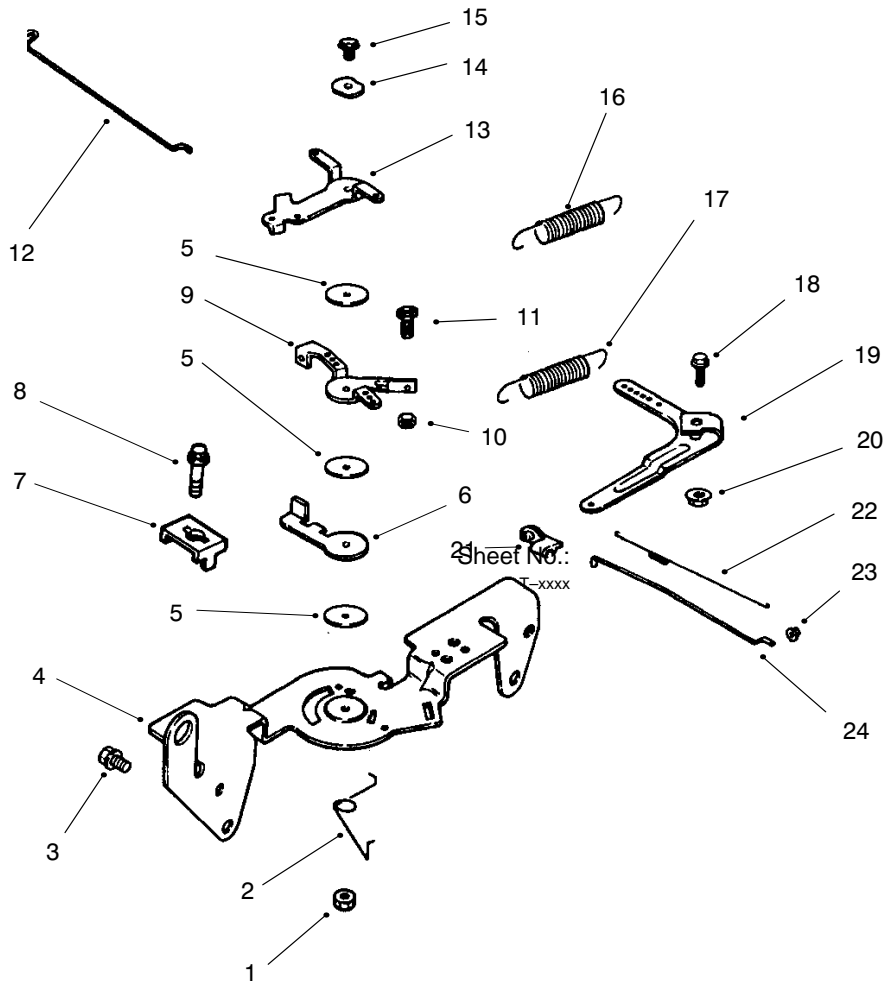


## Group 8 – Fuel System (CH25S 68606 Kohler)

| Ref. No. | Part No.  | Qty. | Description                             | Ref. No. | Part No.  | Qty. | Description                         |
|----------|-----------|------|---|----------|-----------|------|-------------------------------------|
| 1        | 25 353 10 | 2    | Line, fuel – 9"                         | 27       | 24 079 07 | 1    | Linkage, rod                        |
| 2        | X-426-9   | 6    | Clamp, hose                             | 28       | 24 757 09 | 1    | Kit repair–accelerator pump diagram |
| 3        | 24 853 34 | 1    | Kit, carburetor w/gasket (Includes 4–6) | 29       | 24 090 16 | 1    | Lever, rod                          |
| 4        | 24 041 06 | 1    | Gasket, air cleaner base                | 30       | 24 079 06 | 1    | Linkage, rod                        |
| †5       | 24 053 34 | 1    | Carburetor assembly                     | 31       | 24 089 27 | 1    | Spring, Linkage                     |
| 6        | 24 041 17 | 1    | Gasket, carburetor                      | 32       | 24 090 15 | 1    | Lever, Linkage                      |
| 7        | M-0651030 | 2    | Screw, hex. flange                      | 33       | 24 337 30 | 1    | Jet, main                           |
| 8        | 24 050 02 | 1    | Filter, fuel                            | 34       | 24 086 10 | 1    | Screw, idle speed adj.              |
| 9        | 25 353 15 | 1    | Line, fuel                              | 35       | 24 089 10 | 1    | Spring, idle speed adj.             |
| 10       | 24 100 01 | 2    | Nut, plastic                            | 36       | 24 757 01 | 1    | Kit, solenoid asm. (Includes 37–42) |
| 11       | 24 393 04 | 1    | Pump, fuel–pulse                        | 37       | 24 153 06 | 1    | O–Ring, solenoid                    |
| 12       | 24 086 12 | 2    | Screw, hex                              | 38       | 24 521 01 | 1    | Seat, solenoid                      |
| 13       | 24 353 02 | 1    | Line, fuel 15–1/2"                      | 39       | 24 153 05 | 1    | O–Ring, solenoid                    |
| 14       | M-0650012 | 1    | Screw, hex flange                       | 40       | 24 153 04 | 1    | O–Ring, solenoid                    |
| 15       | 47 154 01 | 1    | Clip, cable                             | 41       | 24 435 01 | 1    | Solenoid                            |
| 18       | 24 154 01 | 1    | Clip, inlet needle valve                | 42       | 24 086 07 | 2    | Screw, sems pan hd.                 |
| 19       | 24 462 01 | 1    | Valve, inlet needle                     | 43       | 24 089 11 | 1    | Spring, idle adj.                   |
| 20       | 24 086 09 | 4    | Screw, sems pan hd.                     | 44       | 24 368 01 | 1    | Needle, idle adj.6                  |
| 21       | 24 041 09 | 1    | Gasket, carburetor body                 | *        | 24 757 03 | 1    | Kit, carburetor repair              |
| 22       | 24 153 02 | 1    | O–Ring, slow jet                        | *        | 24 757 07 | 1    | Kit, choke repair (Includes 17)     |
| 23       | 24 337 29 | 1    | Jet, slow                               |          | 24 173 02 | 1    | Cap, choke lever                    |
| 24       | 24 757 02 | 1    | Kit, float repair                       |          |           |      |                                     |
| 25       | 24 081 05 | 1    | Housing, pump                           |          |           |      |                                     |
| 26       | 24 757 08 | 1    | Kit repair–accelerator pump             |          |           |      |                                     |

\*Not Illustrated

†For Information Only–Not Available Separately  
Obtain Parts From Kohler



### Group 9 – Engine Controls (CH25S 68606 Kohler)

| Ref. No. | Part No.   | Qty. | Description                |
|----------|------------|------|----------------------------|
| 1        | M-0547050  | 1    | Nut, hex. lock             |
| 2        | 24 089 03  | 1    | Spring, choke return       |
| 3        | M-0645016  | 4    | Screw, hex. flange         |
| 4        | 24 126 56  | 1    | Bracket, control           |
| 5        | 24 468 01  | 3    | Washer, plain              |
| 6        | 24 090 07  | 1    | Lever, throttle actuator   |
| 7        | 12 237 01  | 2    | Clamp, cable               |
| 8        | M-0545016  | 2    | Screw, hex. flange         |
| 9        | 24 090 03  | 1    | Lever, throttle control    |
| 10       | M-0446030  | 1    | Nut, hex                   |
| 11       | M-0401030  | 1    | Screw, hex. cap            |
| 12       | 24 079 02  | 1    | Linkage, choke             |
| 13       | 24 090 05  | 1    | Lever, choke               |
| 14       | 41 468 03  | 1    | Washer, spring             |
| 15       | M-0545020  | 1    | Screw, hex. flange         |
| 16       | 24 089 38  | 1    | Spring, throttle limiter   |
| 17       | 24 089 15  | 1    | Spring, governor           |
| 18       | SM-0642025 | 1    | Screw, hex. flange         |
| 19       | 24 090 14  | 1    | Lever, governor            |
| 20       | M-0641060  | 1    | Nut, hex. flange           |
| 21       | 25 158 11  | 1    | Bushing, linkage retaining |
| 22       | 24 089 01  | 1    | Spring, linkage            |
| 23       | 25 158 08  | 1    | Bushing, linkage retaining |

| Ref. No. | Part No.  | Qty. | Description       |
|----------|-----------|------|-------------------|
| 24       | 24 079 01 | 1    | Linkage, throttle |

Obtain Parts From Kohler











