



Z-Master 250 Series
Z255 with 72" Side Discharge Mower
Model No. 74205—20000001 and Up

Parts Catalog

Ordering Replacement Parts

To order replacement parts, please supply: the part number, the quantity, and the description of each part desired.

Understanding Reference Numbers

Each identified part in an illustration has a reference number. The reference number for a part also appears in the parts list, along with other information about the part.

This catalog uses two special reference number formats, one to indicate parts in a service assembly and another to indicate the quantity of a given part in an illustration.

Service Assembly Reference Numbers

Parts in service assemblies have reference numbers in the form **a:b**. The **a** represents the reference number of the entire service assembly and the **b** represents a sequential number unique to each part within the service assembly.

For example, a wheel assembly might be identified by reference number **6**, the tire by **6:1**, the valve by **6:2**, and the wheel by **6:3**. When you order the assembly identified by reference number **6**, you receive all parts identified by reference numbers **6:1**, **6:2**, and **6:3**. However, you may also order any part individually.

Reference numbers of this type appear in illustrations and in part lists.

Reference Numbers Indicating Quantity

In an illustration, if a reference number indicates more than one part, the reference number has the form **nX y**. The **n** represents the quantity of the part, the **X** is the multiplication symbol, and the **y** represents the reference number.

For example, in an illustration, the reference number **2X 37** means that two of the parts identified by reference number **37** are indicated.

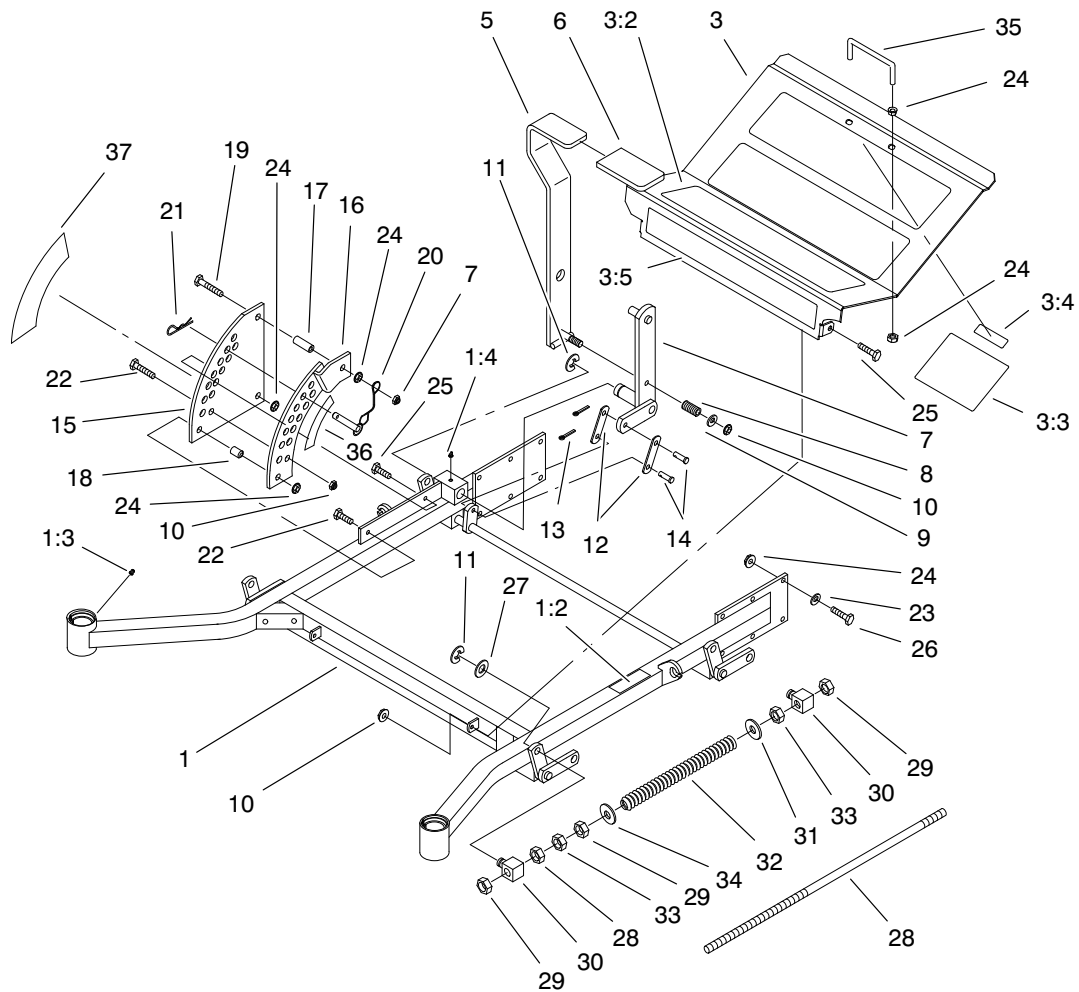
Contents

Description	Page	Description	Page
Front Frame Assembly	3	Deflector, Spindle and Pulley Assembly	16
Caster and Wheel Assembly	4	Baffle and Belt Assembly	17
Rear Frame and Wheel Assembly	5	Group 1 – Crankshaft	18
Brake and Wheel Hub Assembly	6	Group 2 – Crankcase	19
Control Panel Assembly	7	Group 3 – Oil Pan/Lubrication	20
Hydraulic System Assembly	8	Group 4 – Head/Valve/Breather	21
Hydraulic System Assembly (Continued)	9	Group 5 – Ignition/Electrical	22
Tank and Fuel Lines Assembly	10	Group 6 – Blower Housing & Baffles	23
Shields and Clutch Assembly	11	Group 7 – Starting System	24
Idler Assembly	12	Group 8 – Fuel System	25
Electrical System Assembly	13	Group 9 – Engine Controls	26
Frame and Deck Assembly	14	Group 10 – Air Intake/Filtration	27
Cover and Rollers Assembly	15	Group 11 – Exhaust	28

Part Description Abbreviations

Part descriptions in this catalog may include the following abbreviations.

Abbreviation	Meaning	Abbreviation	Meaning
AR	as required	INC	incorporated
ASM	assembly	LH	left hand
CARR	carriage	NI	nylon insert
DEG	degrees	PPH	Phillips pan head
FH	flat head	PTH	Phillips truss head
GA	gauge	PTO	power take off
HF	hex flange	RH	right hand
HH	hex head	SFH	slotted fillister head
HHF	hex head flange	SHH	slotted hex head
HLH	hex lag head	SQH	square head
HJ	hex jam	SHWH	slotted hex washer head
HOC	height-of-cut	SPH	slotted pan head
HS	hex socket	SRH	slotted round head
HSBH	hex socket button head	STD	standard
HSFH	hex socket flat head	TAP	self tapping
HSH	hex socket head	TTH	Torx truss head
HWH	hex washer head	WH	wing head
HWHTF	hex washer head thread forming		

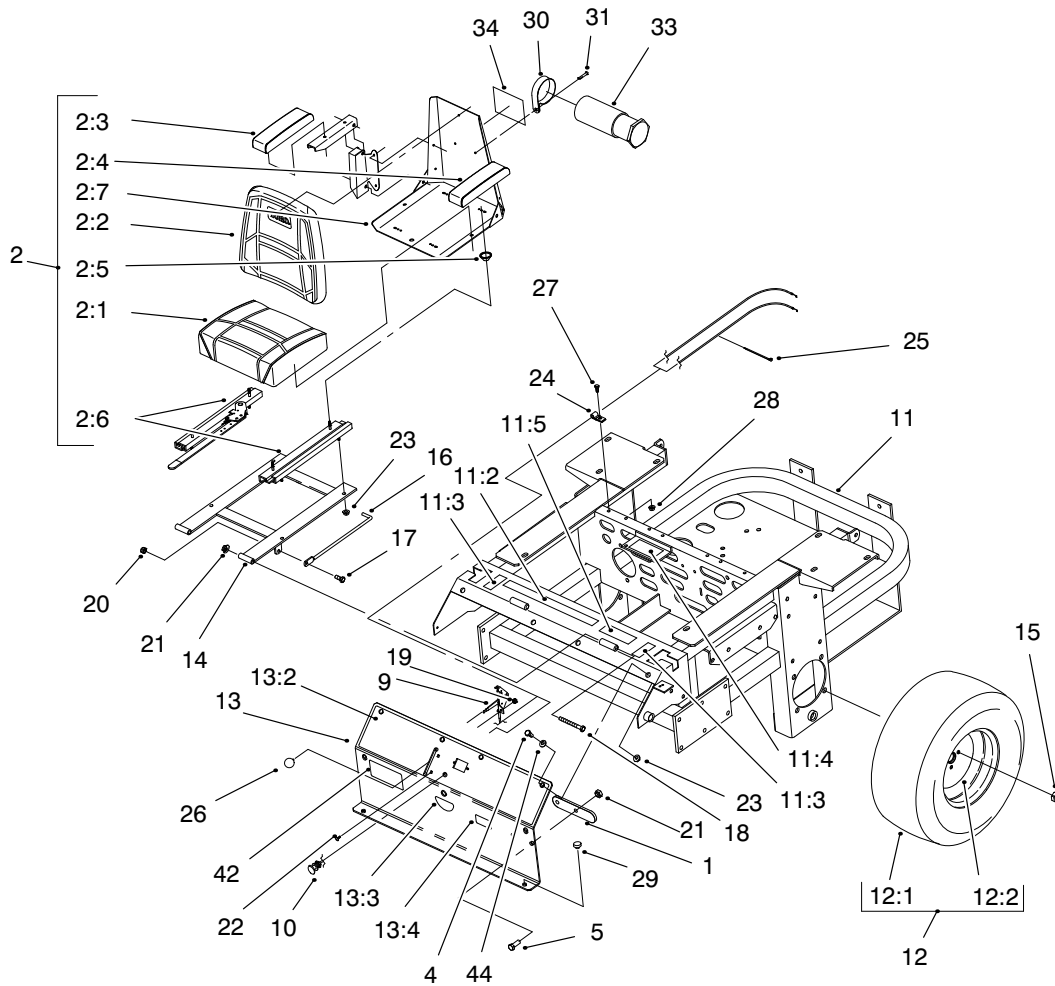


Sheet No.: 2

Front Frame Assembly

Ref. No.	Part No.	Qty.	Description
1	100-4259	1	Frame ASM 72"
1:2	E633818	1	Decal
1:3	E811010	2	Plug-Caster Swivel
1:4	320-19	5	Fitting - Grease
3	99-4622	1	Floorpan ASM
3:2	E633553	3	Pad - Antiskid
3:3	E633766	1	Decal-Check
3:4	98-5954	1	Decal-Cover Missing
3:5	E633737	1	Decal- Z-Master
5	E632324	1	Lift Lever ASM
6	E633295	1	Grip-Lift Lever
7	E632219	1	Arm-Deck Lift
8	E633325	1	Spring-Compression
9	3256-24	1	Washer-Flat
10	3296-39	5	Nut-Lock, Ni
11	E808505	5	Ring-Snap
12	E633068	2	Arm-Deck Lift
13	3272-10	2	Pin-Cotter
14	E808284	2	Pin-Clevis
15	E633889	1	Plate - Deck Lift
16	E632899	1	Plate-Deck Lift
17	E633082	1	Bushing-Lift Lever
18	E633080	1	Bushing-Lift Lever
19	323-13	1	Screw-HH
20	E633097	1	Pin-Hitch w/Lanyard
21	E806005	1	Hairpin

Ref. No.	Part No.	Qty.	Description
22	323-9	2	Screw-HH
23	98-5975	12	Washer
24	3290-357	19	Nut-Lock Flange
25	323-6	3	Screw-HH
26	323-7	12	Screw-HH
27	3256-29	4	Washer-Flat
28	E633096	2	Rod-Deck Lift
29	3217-11	8	Nut-Hex
30	E633441	4	Swivel-Deck Mount
31	3256-7	2	Washer-Flat
32	E633064	2	Spring-Deck Support
33	3218-6	4	Nut-Jam
34	3256-7	2	Washer-Flat
35	E633587	1	Handle
36	E633706	1	Decal-Deck Height
37	E633345	1	Decal-Deck Height

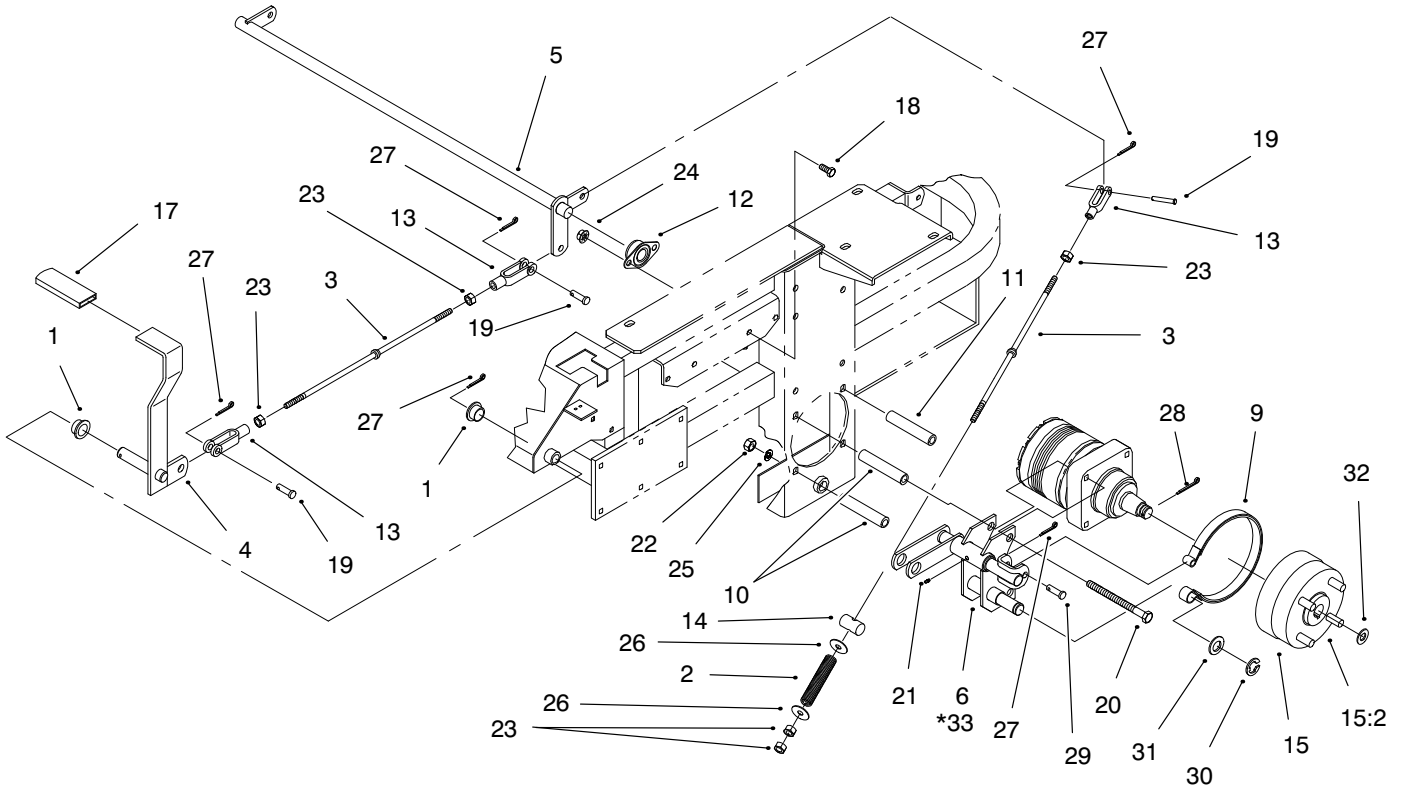


Sheet No.: 4

Rear Frame and Wheel Assembly

Ref. No.	Part No.	Qty.	Description
1	E633964	1	Stop – Park Brake
2	E633705	1	Seat ASM w/Armrest
2:1	E543407	1	Cushion–Seat
2:2	E633709	1	Cushion–Backrest
2:3	E633710	1	Armrest – RH
2:4	E633711	1	Armrest – LH
2:5	E543401	4	Spacer–Track
2:6	E643255	1	Track–Locking, 4”
2:7	E633859	1	Frame–Seat
4	322–3	8	Screw–HH
5	323–6	2	Screw–HH
9	E633696	1	Cable–Throttle
10	E603336	1	Control–Choke, Push–Pull
11	100–4261	1	Frame ASM–Rear
11:2	E513747	1	Decal–Battery
11:3	E633354	2	Decal–Motion Control
11:4	E513929	1	Decal–Drive Release
11:5	E643372	1	Decal Hazardous Mat.
12	E633970	2	Wheel & Tire ASM
12:1	E633993	1	Tire
12:2	E633992	1	Wheel
13	99–4623	1	Console ASM
13:2	99–4611	1	Decal–Control Panel
13:3	E633346	1	Decal–Fuel Valve
13:4	98–4387	1	Decal – Ear Protection

Ref. No.	Part No.	Qty.	Description
14	E632187	1	Frame–Seat
15	E513011	1	Nut–Wheel
16	E633293	1	Rod–Seat Holdup
17	322–5	1	Screw–HH
18	323–21	2	Screw–HH
19	3296–2	2	Nut–Lock
20	3296–41	1	Nut–Lock Ni
21	3296–39	4	Nut–Lock, Ni
22	E807513	2	Bolt–CARR
23	32128–20	12	Nut–HF
24	E513762	1	Clip
25	E303335	1	Tie–Plastic
26	E513592	1	Knob–Ball, Red
27	321–4	1	Screw–HH
28	32128–33	1	Nut–HF
29	E513658	2	Bumper–Catcher, Grass
30	2412–120	2	R Clamp
31	32104–76	2	Screw–Acorn Slot
33	74–0720	1	Tube–Manual
34	93–7340	1	Decal–Toro
42	E633736	1	Decal –Z255
44	3256–23	6	Washer–Flat



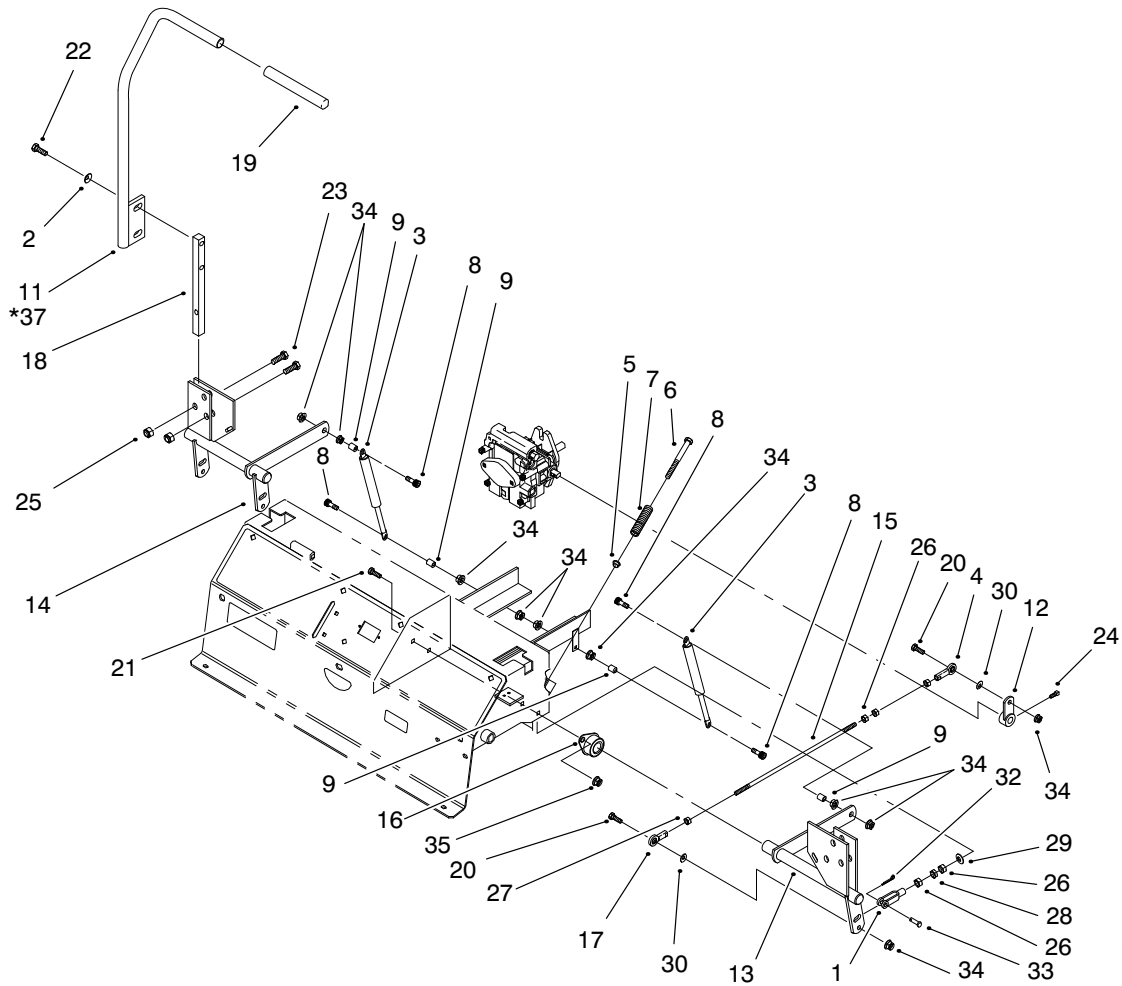
Sheet No.: 5

Brake and Wheel Hub Assembly

Ref. No.	Part No.	Qty.	Description
1	E513140	2	Bearing, Control
2	E633454	2	Spring-Brake
3	E633477	3	Rod-Brake
4	E632489	1	Lever-Brakepoint
5	E632217	1	Shaft-Brake
6	E632712	1	Bracket-Brake, LH
9	E633693	2	Brake Band
10	E633060	4	Spacer-Short, Wheel
11	E633062	4	Spacer-Long, Wheel
12	E633102	2	Bearing-Side Flange
13	E633131	4	Yoke-Brake Linkage
14	E633144	2	Pin-Trunion
15	E634927	2	Hub And Drum ASM
15:2	E633926	4	Stud-Wheel
17	E633268	1	Grip-Brake Lever
18	323-4	4	Screw-HH
19	E808285	4	Pin-Clevis
20	325-20	8	Screw-HH
21	302-19	2	Fitting - Grease
22	3217-9	8	Nut-Hex
23	3219-3	8	Nut-Hex
24	3290-357	4	Nut-Lock Flange
25	3253-7	8	Washer-Lock/Sp
26	3256-4	4	Washer-Flat
27	3272-10	7	Pin-Cotter
28	E806800	2	Pin-Cotter

Ref. No.	Part No.	Qty.	Description
29	E808283	2	Pin-Clevis
30	E808514	2	Ring-Retaining
31	3256-28	2	Washer-Flat
32	E523157	2	Spacer
*33	E632713	1	Bracket-Brake, RH

* Not illustrated



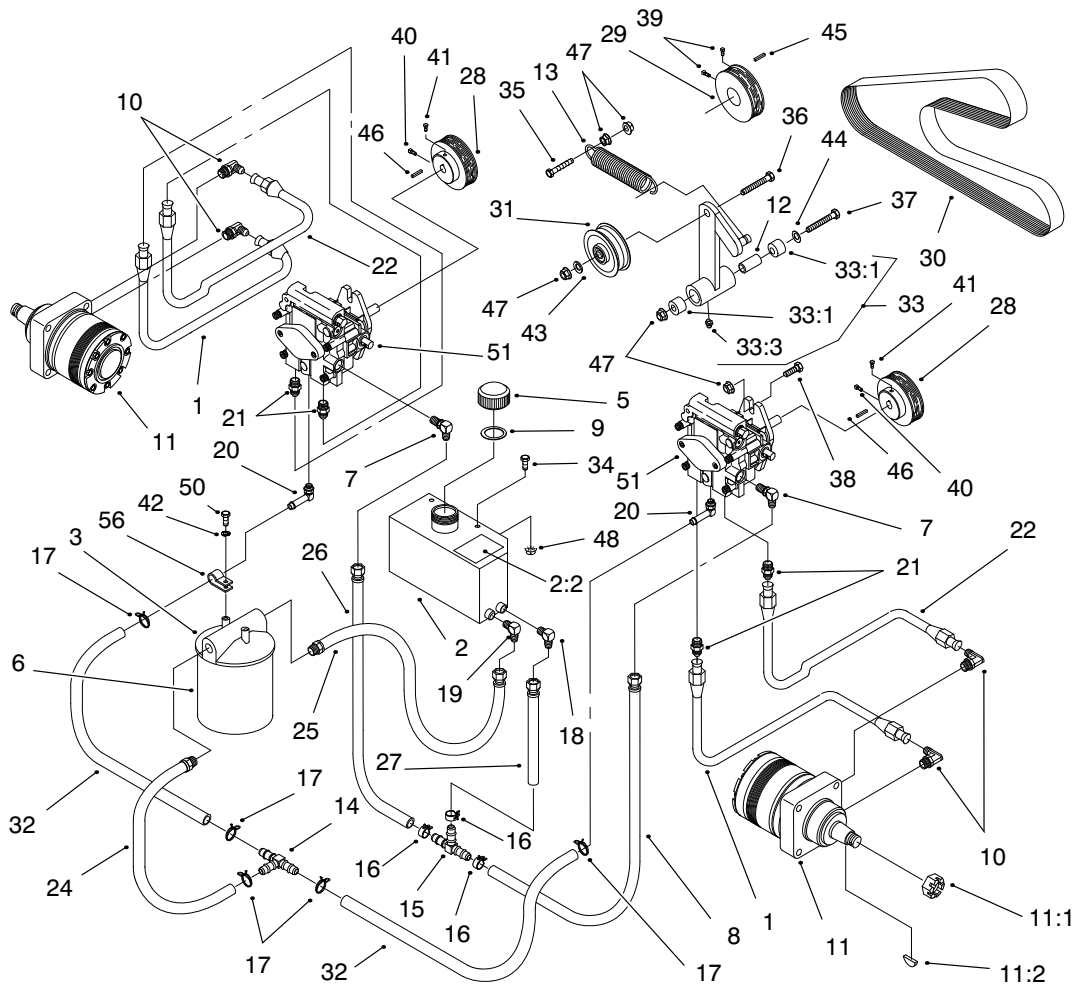
Sheet No.: 6
C-2888

Control Panel Assembly

Ref. No.	Part No.	Qty.	Description
1	E303105	2	Yoke-Adjustable
2	98-5975	4	Washer
3	E523027	2	Damper-Control
4	E543017	2	Ball Joint
5	E603735	2	Bushing-Nylon Flanged
6	E603737	2	Bolt-Neutral Return
7	E603807	2	Spring-Neutral Return
8	E403180	4	Screw-HH
9	E653299	4	Spacer-Damper
11	E632193	1	Lever-RH
12	E632208	2	Arm-Pump Control
13	E642319	1	Motion Control, LH
14	E642320	1	Motion Control RH
15	E633153	2	Linkage
16	E633102	4	Bearing-Side Flange
17	E633152	2	Ball Joint-LH Thread
18	E633177	2	Arm
19	E633257	2	Grip-Motion Control
20	322-6	4	Screw-HH
21	323-4	8	Screw-HH
22	323-6	4	Screw-HH
23	323-9	6	Screw-HH
24	E803022	2	Screw
25	3296-39	6	Nut-Lock, Ni
26	3219-2	10	Nut-Hex

Ref. No.	Part No.	Qty.	Description
27	3220-20	2	Nut-Jam LH
28	3220-2	2	Nut-Jam
29	3256-2	2	Washer-Flat
30	3256-3	4	Washer-Flat
32	3272-5	2	Pin-Cotter
33	E808280	2	Pin-Clevis
34	32128-20	12	Nut-HF
35	3290-357	8	Nut-Lock Flange
*37	E632191	1	Lever-LH

* Not illustrated

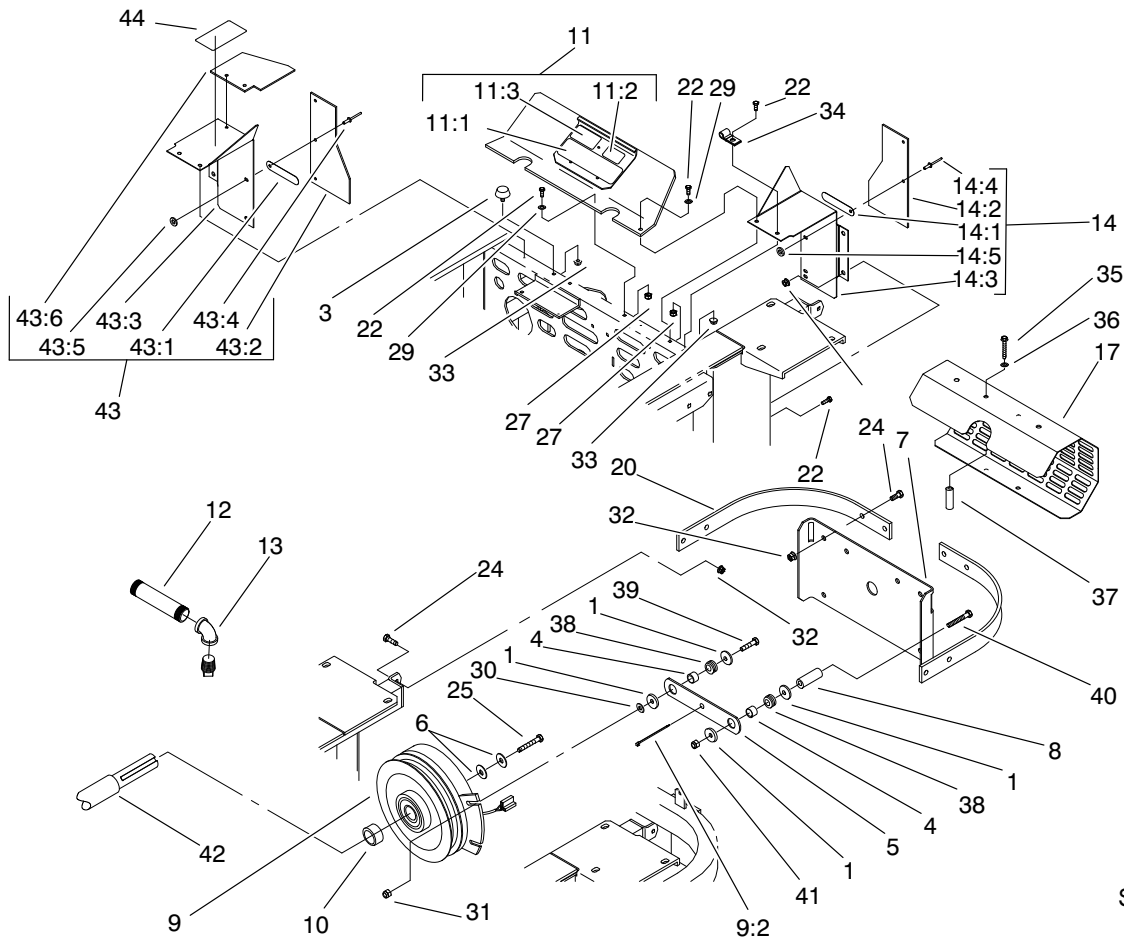


Sheet No.: 7

Hydraulic System Assembly

Ref. No.	Part No.	Qty.	Description
1	E633776	2	Hose—High Pressure
2	99-4625	1	Hydraulic Tank ASM
2:2	E523552	1	Decal – Hydraulic Tank, Hot Surface
3	E513006	1	Filter—Head
5	E513167	1	Cap—Hydraulic Reservoir
6	E633750	1	Filter—Hydro
6	E633752	1	Filter—Hydro, Winter
7	E513840	2	Elbow—90
8	E522217	1	Low Pressure Hose ASM
9	E523103	1	Gasket—Tank/Cap
10	E633786	4	Elbow 90°
11	E523328	2	Motor—Wheel
11:1	E809036	1	Nut—Castle
11:2	E807020	1	Woodruff—Key
12	E603384	1	Bushing—Idler Pivot
13	E603413	1	Spring—Extension
14	E603721	1	Fitting
15	E603722	1	Fitting
16	E603826	3	Clamp—Hose
17	E603827	5	Clamp—Hose
18	E603987	1	Elbow
19	E603988	1	Elbow
20	E603989	2	Elbow

Ref. No.	Part No.	Qty.	Description
21	E603990	4	Adapter
22	E633777	2	Hose—High Pressure
24	E632281	1	12" Low Pressure Hose ASM
25	E632282	1	13" Low Pressure Hose ASM
26	E632285	1	Hose—Low Pressure
27	E632286	1	Hose—Low Pressure
28	E633568	2	Sheave
29	E633567	1	Sheave
30	E633749	1	Belt
31	E633167	1	Pulley—Idler
32	E633335	2	Hose—Low Pressure
33	E634277	1	Arm ASM
33:1	E513034	2	Bearing—Pivot
33:3	E811008	1	Fitting—Grease
34	321-4	2	Screw—HH
35	323-8	1	Screw—HH
36	323-9	1	Screw—HH
37	E800805	1	Screw—HH
38	323-7	4	Screw—HH
39	E803022	2	Screw
40	3242-6	2	Screw—SQH Set
41	3242-4	2	Screw—SQH Set
42	3253-3	2	Washer—Lock/Sp
43	3256-3	1	Washer—Flat

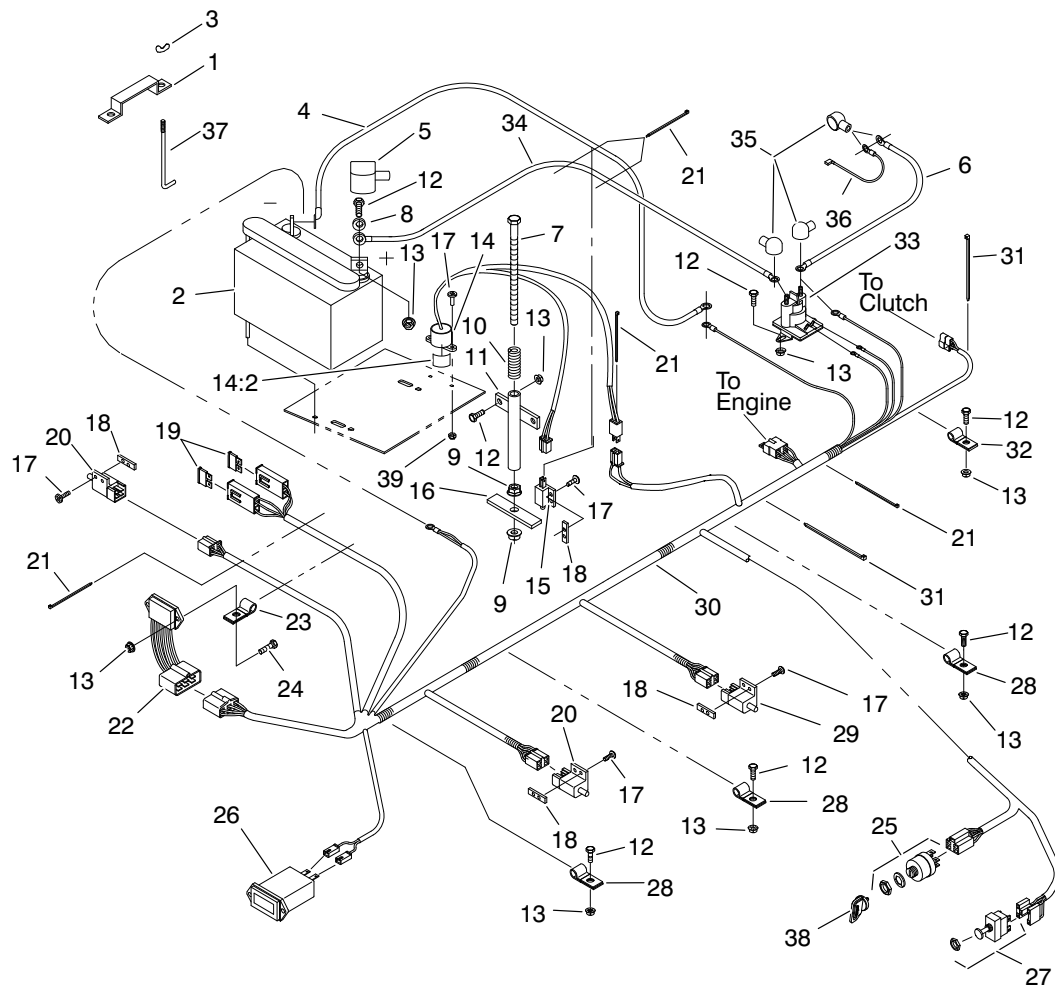


Sheet No.: 9

Shields and Clutch Assembly

Ref. No.	Part No.	Qty.	Description
1	E613235	4	Washer
3	E523420	2	Bumper
4	E633545	2	Spacer-Grommet
5	E633543	1	Strap-Clutch/Brake
6	E603610	2	Washer - Spring, Disc
7	E633615	1	Guard-Clutch
8	E633988	1	Spacer-Clutch, Anchor
9	E631732	1	Clutch
9:2	E303335	1	Tie-Plastic
10	E633179	1	Spacer-Clutch
11	E644276	1	Shield ASM
11:1	E643252	1	Decal - Drive, Belt
11:2	E513748	1	Decal-Guard
11:3	E633462	1	Decal-Important
12	E543232	1	Nipple
13	E303428	1	Elbow
14	E634796	1	Shield-LH
14:1	E523285	1	Clip,Rear Baffle
14:2	E633301	1	Shield - Engine
14:3	E633795	1	Baffle-Engine Shield, LH
14:4	E803035	3	Pop Rivet
14:5	3256-23	3	Washer-Flat
17	E643313	1	Guard-Muffler
20	E643264	2	Bracket-Guard, Top

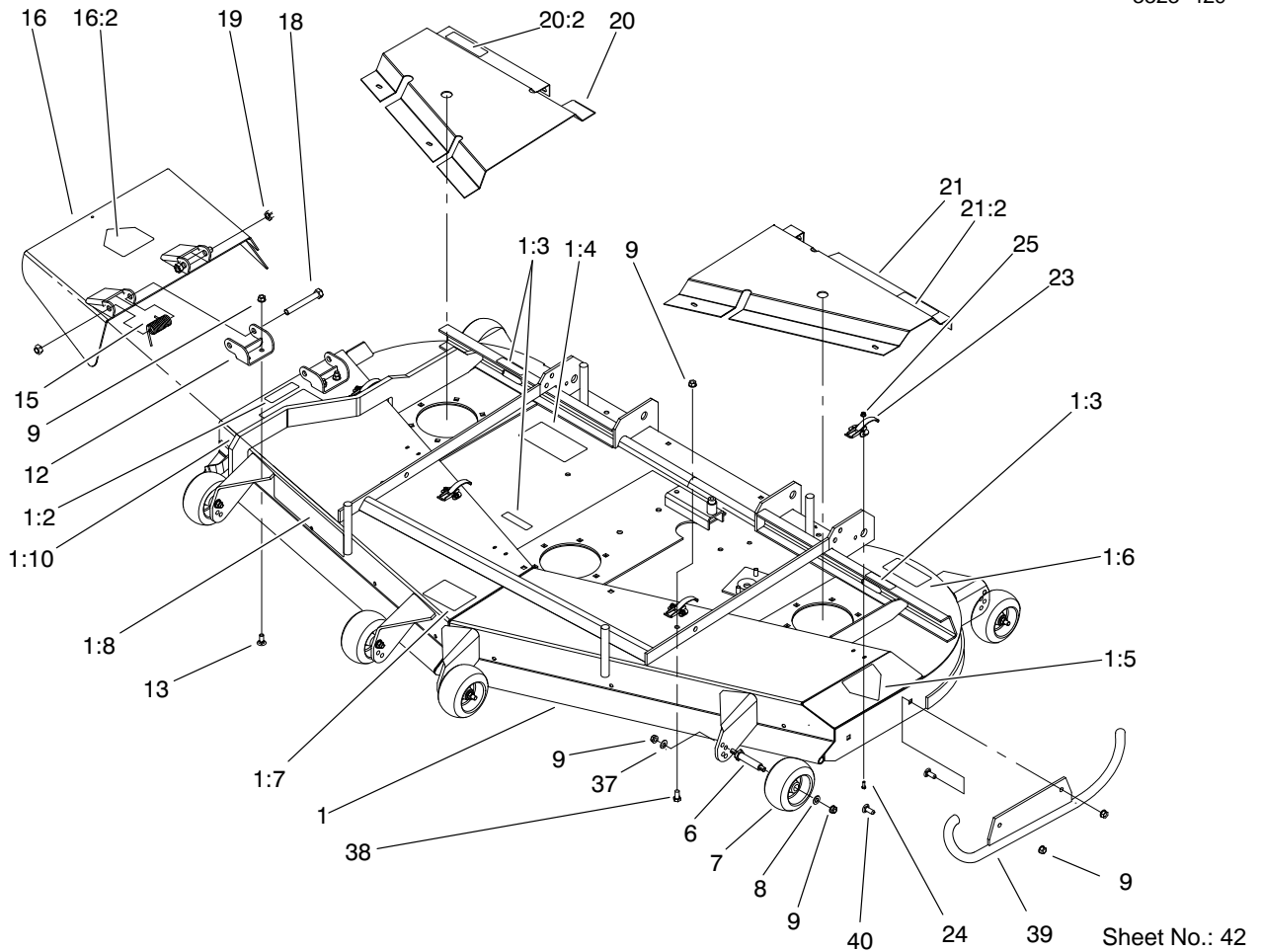
Ref. No.	Part No.	Qty.	Description
22	321-4	10	Screw-HH
24	323-6	6	Screw-HH
25	3212-10	1	Screw-HH
27	32146-17	4	Nut-Lock
29	3256-2	4	Washer-Flat
30	3256-3	1	Washer-Flat
31	32128-20	1	Nut-HF
32	3290-357	4	Nut-Lock Flange
33	32128-33	7	Nut-HF
34	E633396	1	Clip - Loom
35	E809076	2	Screw-HH
36	E323235	2	Washer Spring, Disc
37	E323236	2	Spacer
38	E633630	2	Grommet
39	322-6	1	Screw-HH
40	322-19	1	Screw-HH
41	3296-41	1	Nut-Lock Ni
42	E633830	1	Kohler Command Ch25
43	E644316	1	Shield ASM, RH
43:1	E523285	1	Clip,Rear Baffle
43:2	E633301	1	Shield - Engine
43:3	E633794	1	Shield - RH
43:4	E803035	5	Pop Rivet
43:5	3256-23	5	Washer-Flat
43:6	E643315	1	Baffle, Engine Cooler
44	E643339	1	Decal-Belt Routing



Sheet No.: 11

Electrical System Assembly

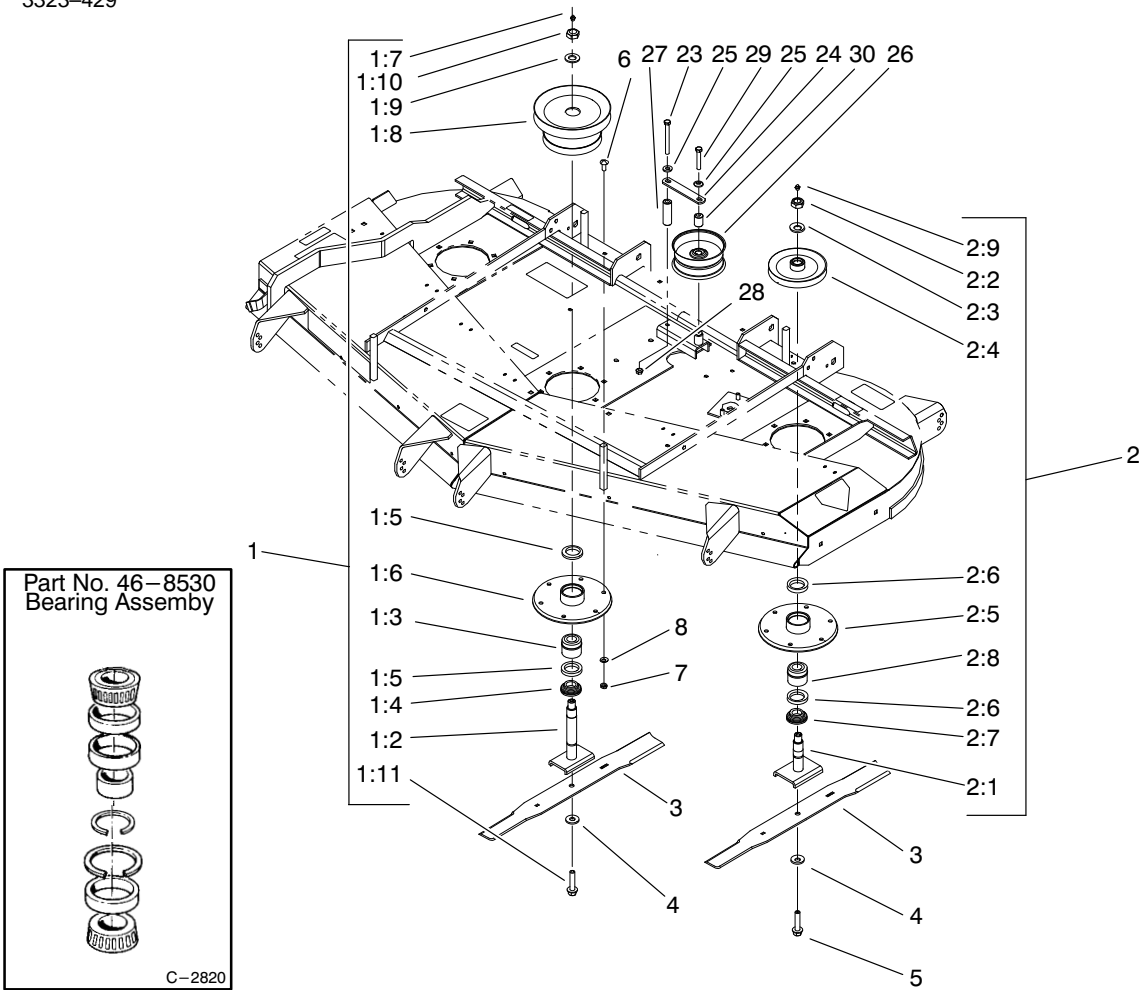
Ref. No.	Part No.	Qty.	Description	Ref. No.	Part No.	Qty.	Description
1	E633652	1	Strap-Battery Hold Down	23	E513762	1	Clip
2	E603479	1	Battery-12v	24	321-6	1	Screw-HH
3	E543792	2	Wingnut-Nyloc	25	E543070	1	Switch-Ignition
4	E633307	1	Wire-Ground	26	E513374	1	Meter-Engine Hours
5	E543391	1	Insulator-Battery	27	E633673	1	Switch-PTO
6	E633306	1	Wire-Starter	28	E633396	3	Clip - Loom
7	E800282	1	Screw-HH	29	E633110	1	Switch-Brake
8	3256-2	2	Washer-Flat	30	E643119	1	Harness-Wiring
9	32128-20	2	Nut-HF	31	E303335	4	Tie-Plastic
10	E523415	1	Spring-Switch, Seat	32	E323229	1	Clip-Loom
11	E522424	1	Spring Mount	33	E513075	1	Switch-12v Solenoid
12	321-4	8	Screw-HH	34	E523281	1	Cable-Battery
13	32128-33	11	Nut-HF	35	E543393	3	Insulator-Solenoid
14	E644427	1	Switch-Tilt	36	E543084	1	Wire-Starter Solonoid
14:2	E643401	1	Decal-Mercury Switch	37	E633651	2	Bolt-Battery Hold Down
15	E513152	1	Switch-Seat	38	63-8360	2	Key-Ignition w/Shield
16	E513180	1	Actuator - Switch, Seat	39	3296-2	2	Nut-Lock
17	E803028	10	Screw				
18	E633181	4	Plate-Tapped				
19	E816001	2	Fuse-Blade Type 20 Amp				
20	E633111	2	Switch-Drive Lever				
21	E303287	5	Tie-Plastic				
22	E543316	1	Module-Safety				



Cover and Rollers Assembly

Ref. No.	Part No.	Qty.	Description
1	100-4273	1	72" Deck ASM
1:2	66-6380	1	Decal-Danger
1:3	98-5954	3	Decal-Cover Missing
1:4	99-4686	1	Decal-Belt Routing
1:5	43-8480	1	Decal-Danger
1:6	93-7818	1	Decal-Blade Bolt Torque
1:7	98-3798	1	Decal-Gage Wheel
1:8	98-5995	1	Decal-72" Deck
1:10	66-1340	1	Decal-Danger
6	99-2842	6	Spacer-Wheel
7	68-2730	6	Wheel-Gage
8	E373034	6	Washer-Swivel
9	3290-357	22	Nut-Lock Flange
12	51-1530-01	2	Bracket-Hinge
13	3231-27	4	Screw-CARR
15	51-1550	2	Spring
16	14-0909	1	Deflector Assembly
16:2	54-9220	1	Decal-Danger
18	325-17	2	Screw-HH
19	32153-5	2	Nut-Lock
20	99-2622	1	Cover-RH
20:2	67-5360	1	Decal-Danger
21	99-2623	1	Cover-LH
21:2	67-5360	1	Decal-Danger
23	249-21	4	Clamp-Slotted

Ref. No.	Part No.	Qty.	Description
24	3290-321	8	Screw-HWH
25	32128-17	8	Nut-Flange Lock
37	98-5975	6	Washer
38	323-4	4	Screw-HH
39	98-7923-01	1	Skid
40	3231-22	2	Screw-CARR

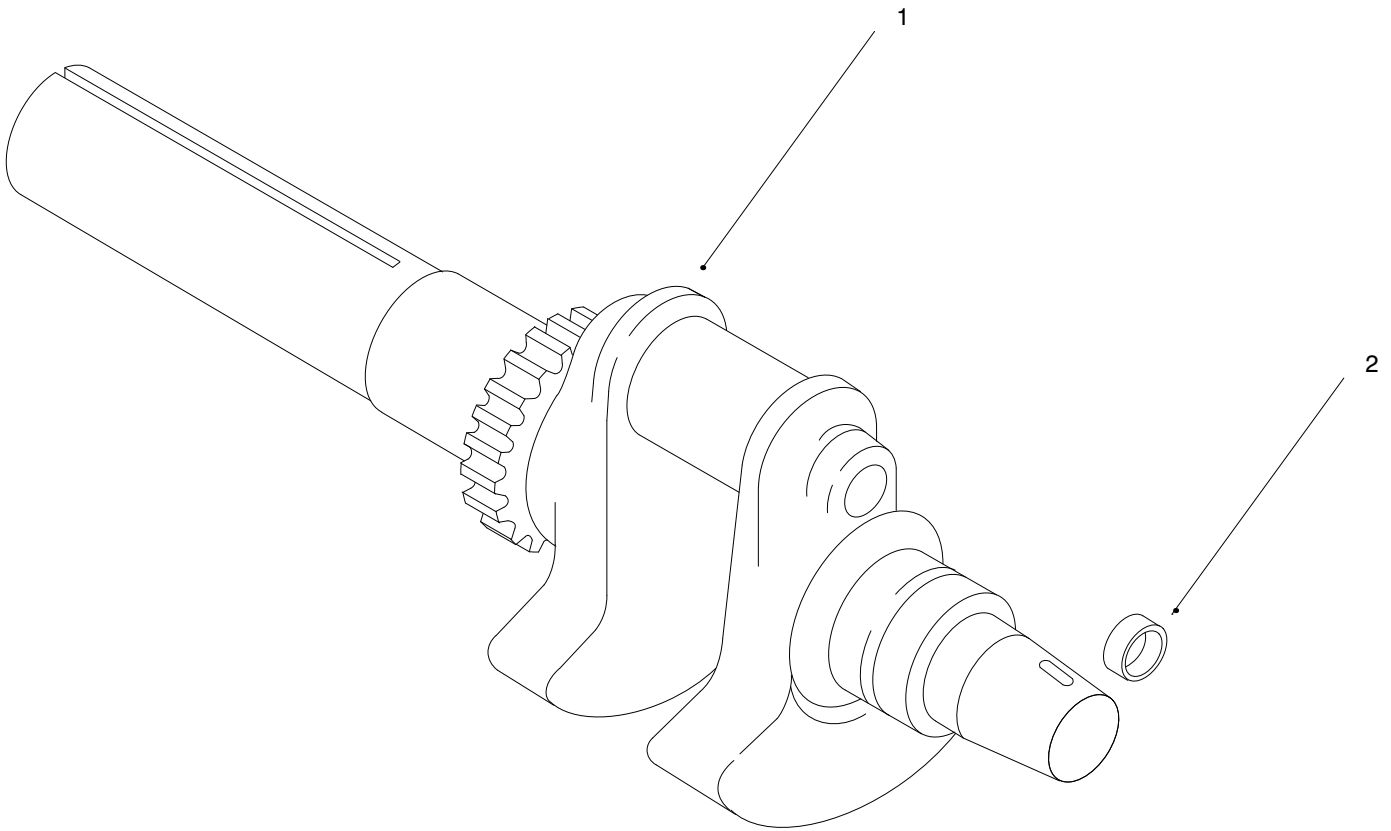


Sheet No.: 43

Deflector, Spindle and Pulley Assembly

Ref. No.	Part No.	Qty.	Description
1	99-2605	1	Spindle Housing ASM
1:2	51-3551	1	Shaft-Spindle
1:3	46-8530	1	Bearing ASM
1:4	27-0950	1	Spacer-Bearing, Spindle
1:5	253-139	2	Seal-Oil
1:6	61-4160	1	Spindle
1:7	302-2	1	Fitting-Grease
1:8	99-4626	1	Pulley Hub ASM, Welded
1:9	92-5836	1	Washer - Axle
1:10	32146-20	1	Nut-Jam
1:11	92-5816	1	Flangebolt-Blade
2	99-4642	2	Spindle Housing ASM
2:1	27-0920	1	Shaft-Spindle
2:2	32146-20	1	Nut-Jam
2:3	7-4150	1	Washer-Pinion
2:4	99-4615	1	Pulley & Hub
2:5	61-4160	1	Spindle
2:6	253-139	1	Seal-Oil
2:7	27-0950	1	Spacer-Bearing, Spindle
2:8	46-8530	1	Bearing ASM
2:9	302-2	1	Fitting-Grease
3	94-1861	3	Blade - 24.75
4	E513435	3	Washer-Spring

Ref. No.	Part No.	Qty.	Description
5	92-5816	2	Flangebolt-Blade
6	3231-22	18	Screw-CARR
7	32128-21	18	Nut-Hex Flange
8	3256-24	1	Washer-Flat
23	323-42	1	Screw-HH
24	E653189	1	Plate-Guide, Belt
25	98-5975	2	Washer
26	E413099	1	Pulley-Idler
27	99-4659	1	Spacer-Bracket
28	3290-357	1	Nut-Lock Flange
29	323-11	1	Screw-HH
30	E653190	1	Spacer

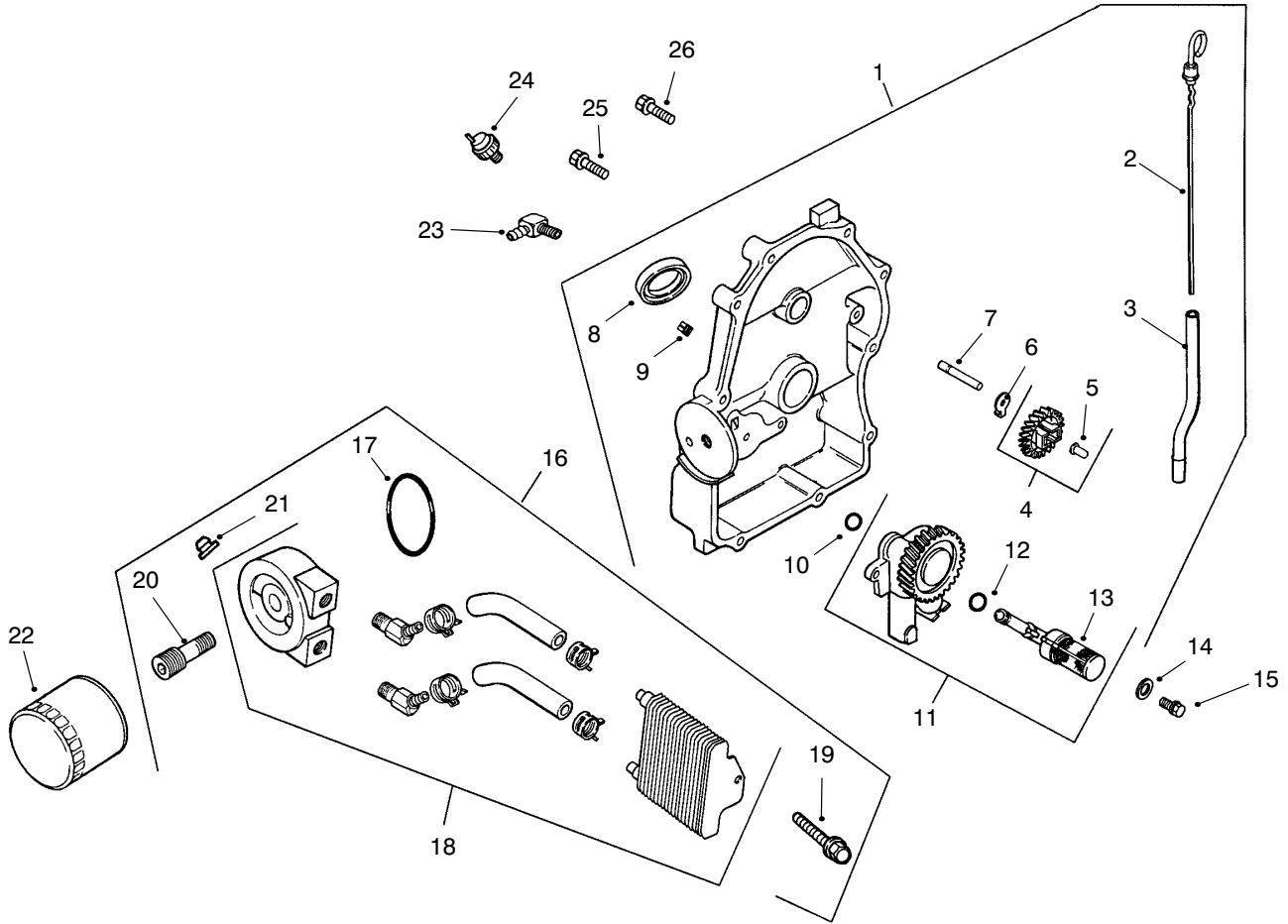


Group 1 – Crankshaft (CH25S 68606 Kohler)

Ref. No.	Part No.	Qty.	Description
1	24 014 06	1	Crankshaft (Includes 2)
2	52 139 09	1	Plug, cup

Ref. No.	Part No.	Qty.	Description
----------	----------	------	-------------

Obtain Parts From Kohler

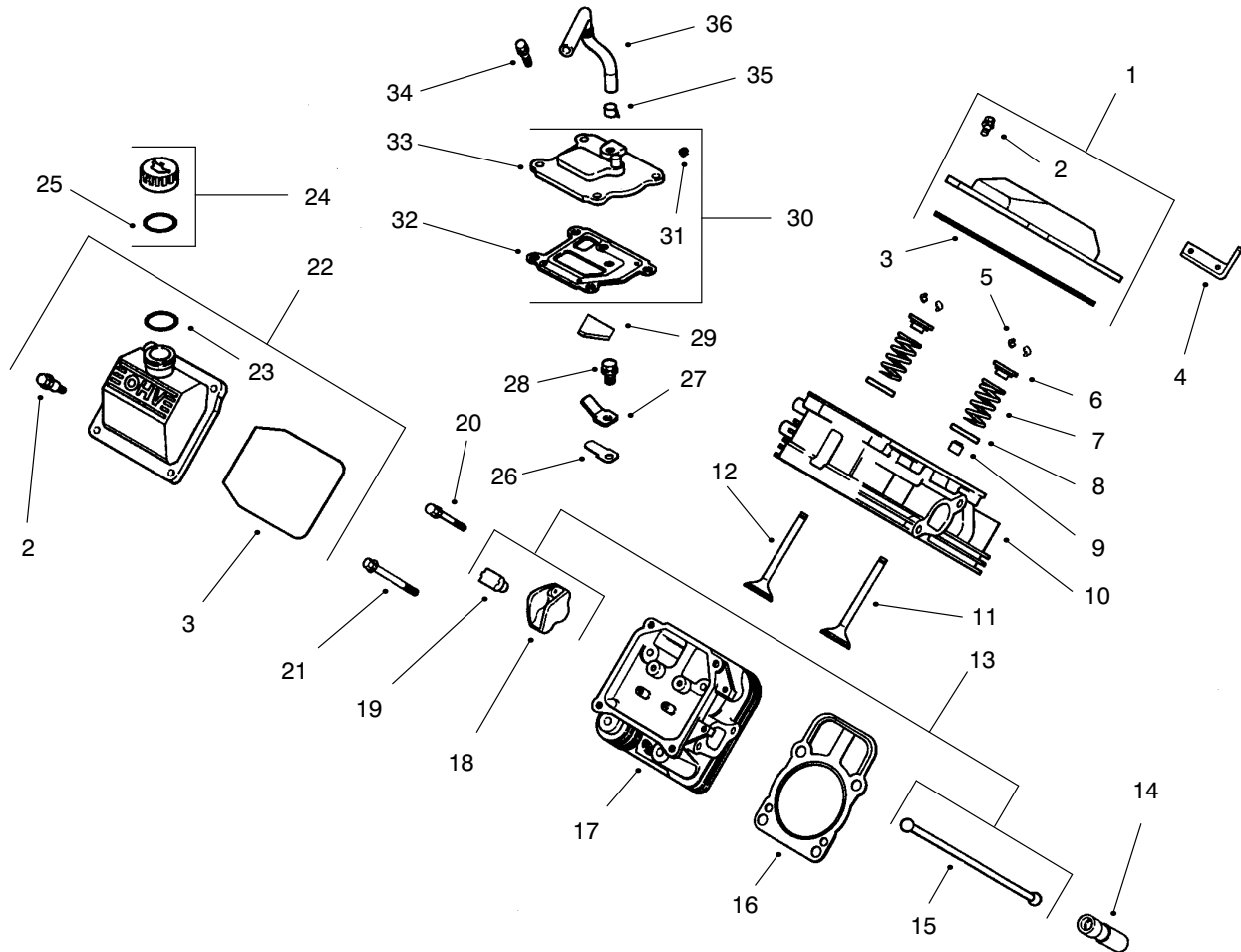


Group 3 – Oil Pan/Lubrication (CH25S 68606 Kohler)

Ref. No.	Part No.	Qty.	Description
1	24 009 83	1	Plate, closure assembly (Includes 2-12)
2	24 038 06	1	Dipstick
3	24 123 08	1	Tube, dipstick
4	24 043 12	1	Kit, governor gear (Includes 5)
5	12 380 01	1	Pin, governor regulating
6	52 448 02	1	Tab, locking
7	12 144 02	1	Shaft, governor gear
8	52 032 08	1	Seal, oil (PTO end)
9	X-75-23	2	Plug, pipe 1/8"
10	24 153 08	1	O-Ring
11	24 393 10	1	Oil pump assembly (Includes 12,13)
12	24 153 01	1	O-Ring, oil pick-up
13	24 381 04	1	Pick-up, oil
14	M-0631005	2	Washer, plain 6 mm
15	M-0645025	2	Screw, hex flange
16	54 755 14	1	Kit, oil cooler (Incl. 17-21)
17	24 253 17	1	O-Ring
18	24 594 15	1	Cooler, oil
19	24 086 12	2	Screw, hex
20	24 136 05	1	Nipple, oil filter
21	24 100 01	2	Nut, plastic
22	52 050 02	1	Filter, oil

Ref. No.	Part No.	Qty.	Description
23	25 155 02	1	Connector
24	24 099 03	1	Switch, pressure
25	24 086 16	9	Screw, hex flange
26	24 086 17	1	Screw, hex flange
*	24 113 25	1	Decal, oil cooler

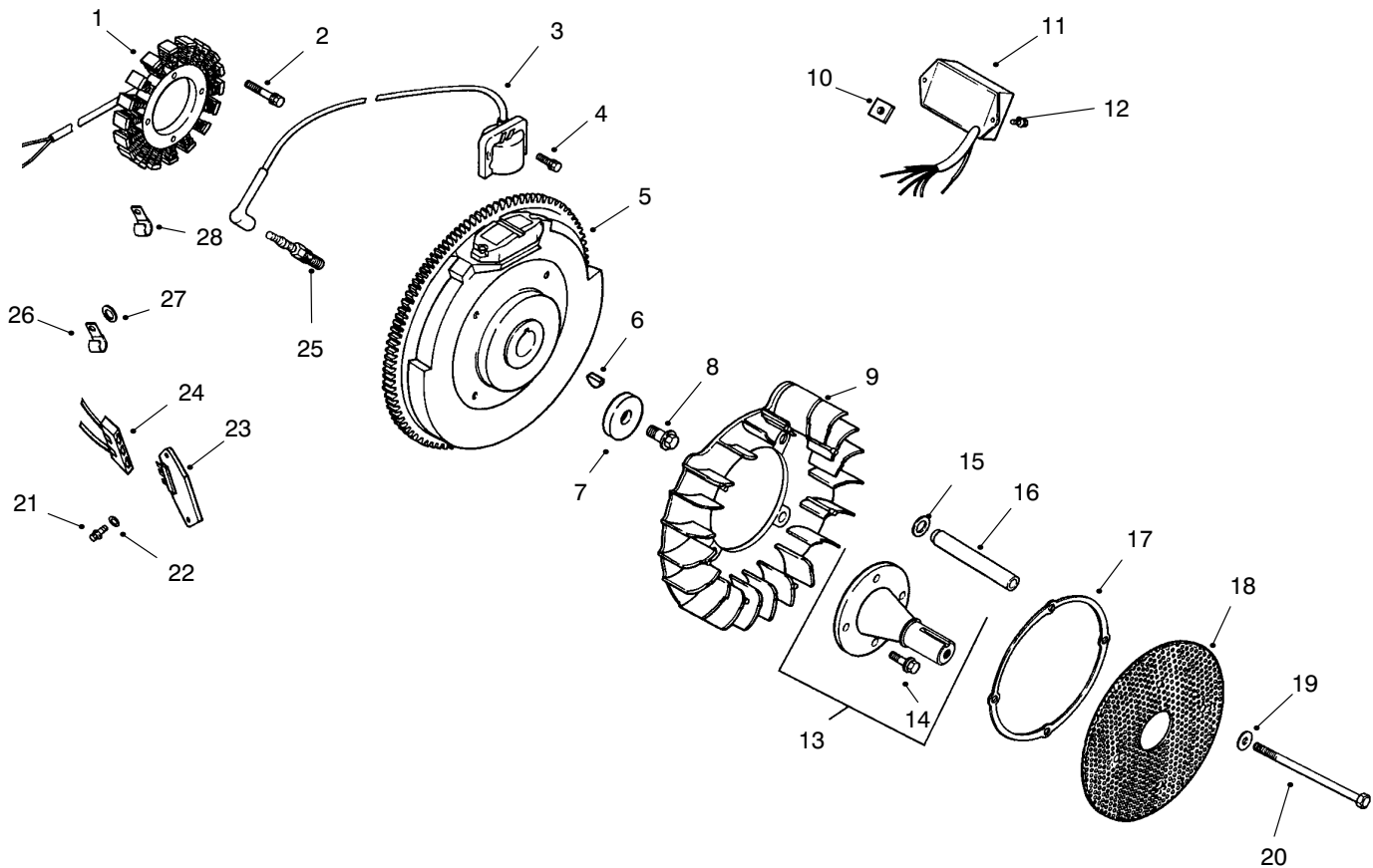
*Not Illustrated
Obtain Parts From Kohler



Group 4 – Head/Valve/Breather (CH25S 68606 Kohler)

Ref. No.	Part No.	Qty.	Description	Ref. No.	Part No.	Qty.	Description
1	24 755 74	1	Kit, valve cover – plain (Includes 2–3)	21	24 086 44	8	Screw, hex. flange
2	24 086 32	4	Screw, shoulder	22	24 755 75	1	Kit, valve cover – oil fill (Includes 2,3,23)
3	24 153 16	1	O-Ring, valve cover	23	24 153 09	1	O-Ring
4	24 445 01	1	Strap, lifting	24	24 755 46	1	Kit, oil fill cap (Includes 25)
5	12 755 03	4	Kit, retainer	25	12 153 03	1	O-Ring, oil fill cap
6	12 173 01	4	Cap, valve spring	26	24 402 03	1	Reed, breather
7	24 089 02	4	Spring, valve	27	12 018 01	1	Retainer, breather reed
8	235011	4	Retainer, spring	28	M-0545010	1	Screw, hex. flange
9	24 032 05	2	Seal, valve stem	29	24 050 01	1	Filter, breather
10	24 318 13	1	Head assembly, #1 cylinder	30	24 033 01	1	Kit, breather (Includes 31–33)
11	24 017 01	2	Valve, intake (Std.)	31	X-75-23	1	Plug, allen head pipe
	24 017 02	2	Valve, intake (.25)	32	24 041 23	1	Gasket, breather
12	24 016 01	2	Valve, exhaust (Std.)	33	24 096 02	1	Cover, breather
	24 016 02	2	Valve, exhaust (.25)	34	M-0645020	4	Screw, hex. flange
13	24 755 66	1	Kit, valve train (Includes 15,18,19)	35	X-426-9	1	Clamp, breather
14	12 351 02	4	Lifter, valve	36	24 326 06	1	Hose, breather
15	24 411 05	4	Rod, push				
16	24 041 37	2	Gasket, cylinder head				
17	24 318 14	1	Head assembly, #2 cylinder				
18	25 186 01	4	Arm, rocker				
19	24 599 01	4	Pivot, rocker arm				
20	M-0640034	4	Screw, hex. flange				

Obtain Parts From Kohler

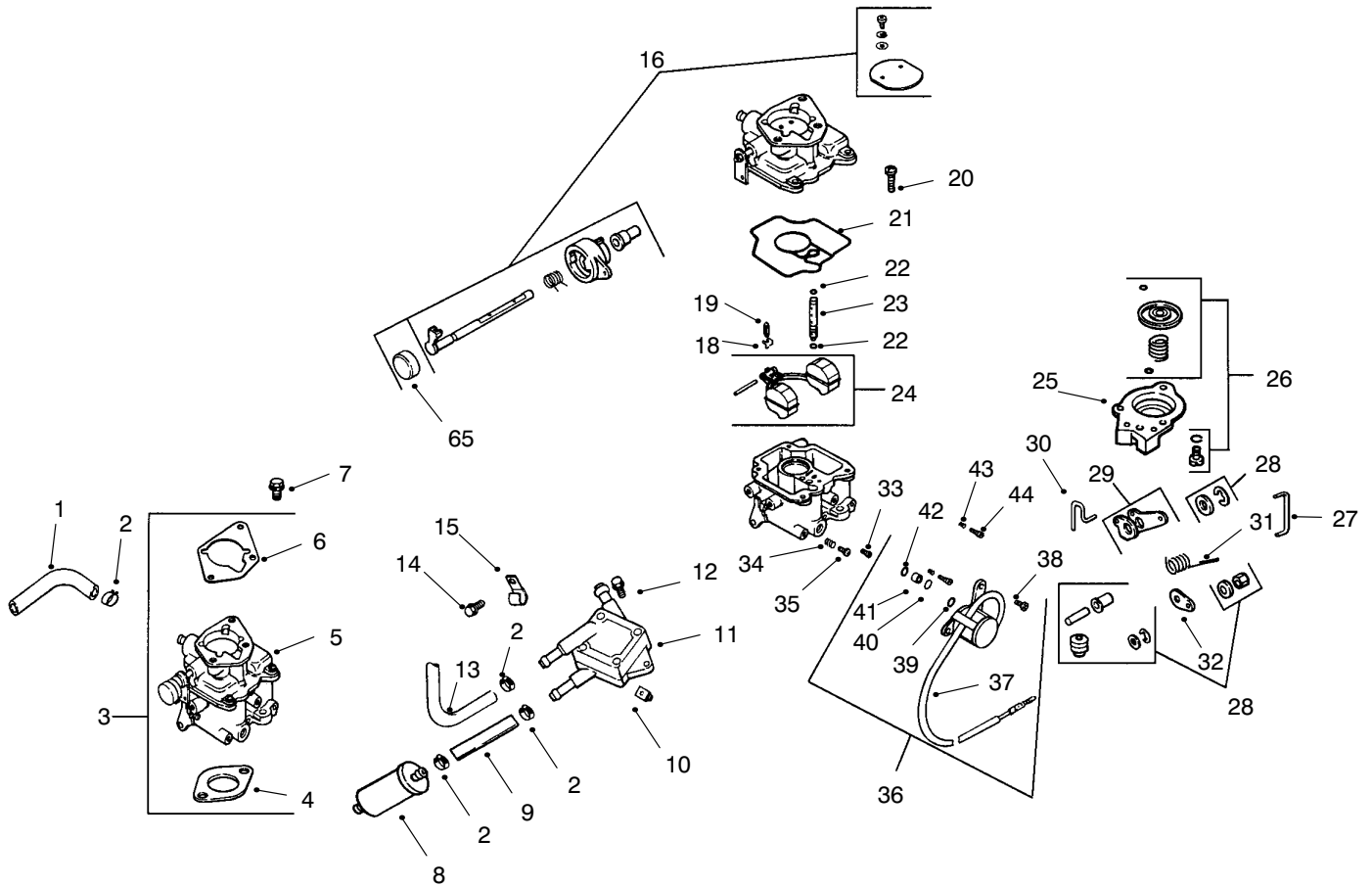


Group 5 – Ignition/Electrical (CH25S 68606 Kohler)

Ref. No.	Part No.	Qty.	Description
1	54 755 09	1	Kit, 15 amp stator (Incl. 24 126 71 bracket)
2	M-0548025	2	Screw, hex. cap
3	24 584 11	2	Module, ignition
4	M-0561025	4	Screw, hex. socket hd.
5	24 025 03	1	Flywheel
6	X-42-15	1	Key
7	12 468 03	1	Washer, plain 3/8"
8	12 086 14	1	Screw, hex flange
9	24 157 03	1	Fan
10	24 100 02	2	Nut, plastic
11	24 584 09	1	Module, spark advance
12	24 086 41	2	Screw, phillips hd.
13	24 755 08	1	Kit, front drive shaft (Includes 14)
14	M-0839025	4	Screw, hex flange
15	24 468 11	4	Washer, spring 10mm
16	24 112 14	4	Spacer
17	24 141 06	1	Ring, support
18	24 162 22	1	Screen, grass
19	X-25-53	4	Washer, plain 1/4"
20	M-0603100	4	Screw, hex
21	24 086 18	2	Screw, phillips hd.
22	X-25-92	2	Washer, plain 3/16
23	25 403 03	1	Rectifier-regulator 15 amp

Ref. No.	Part No.	Qty.	Description
24	236602	1	Connector
25	12 132 06	2	Spark Plug
26	47 154 01	1	Clip, cable
27	X-25-63	1	Washer, plain 1/4"
28	48 154 02	1	Clip, cable
*	25 518 28	1	Lead, black, (4" – 18 gauge – insulated grip barrel eyelet terminals)
*	24 176 38	1	Harness, wiring
*	24 755 56	1	Kit, wiring (Includes Terminal #25 542 17 & Tie X-468-1
*	24 126 71	1	Bracket, stator wire
*	X-22-11	1	Washer, lock

*Not Illustrated
Obtain Parts From Kohler



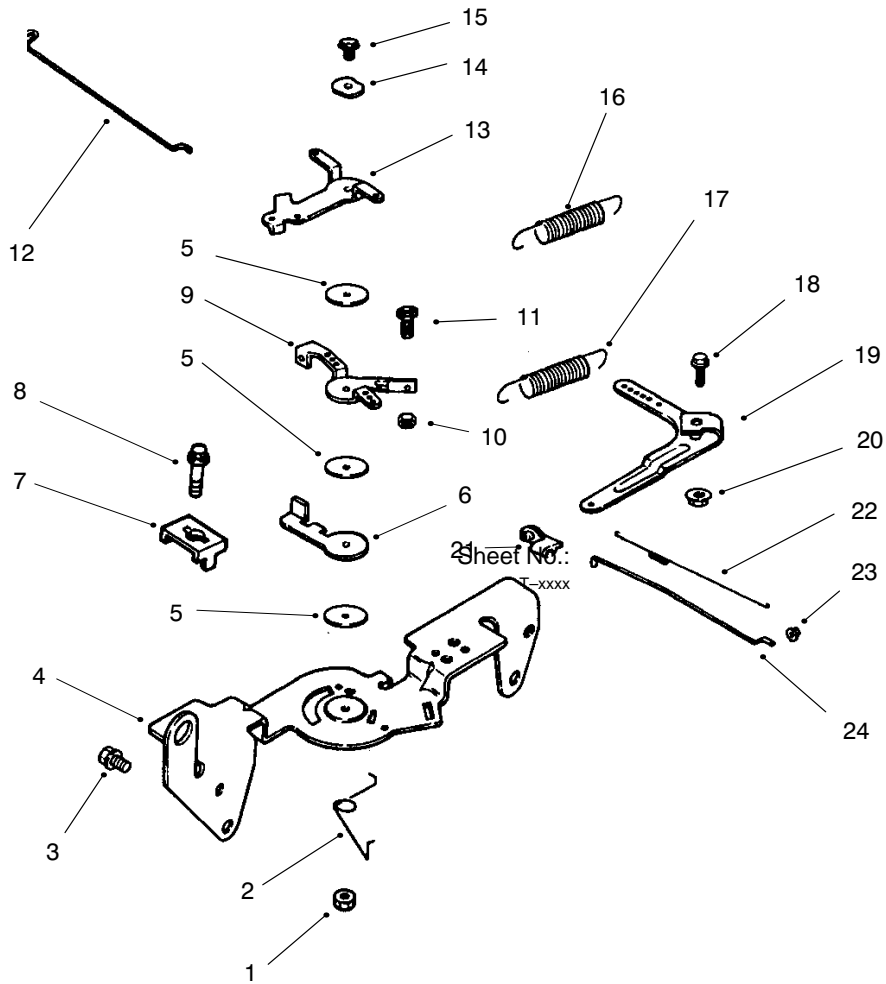
Group 8 – Fuel System (CH25S 68606 Kohler)

Ref. No.	Part No.	Qty.	Description
1	25 353 10	2	Line, fuel – 9”
2	X-426-9	6	Clamp, hose
3	24 853 34		Kit, carburetor w/gasket
		1	(Includes 4-6)
4	24 041 06	1	Gasket, air cleaner base
†5	24 053 34	1	Carburetor assembly
6	24 041 17	1	Gasket, carburetor
7	M-0651030	2	Screw, hex. flange
8	24 050 02	1	Filter, fuel
9	25 353 15	1	Line, fuel
10	24 100 01	2	Nut, plastic
11	24 393 04	1	Pump, fuel-pulse
12	24 086 12	2	Screw, hex
13	24 353 02	1	Line, fuel 15-1/2”
14	M-0650012	1	Screw, hex flange
15	47 154 01	1	Clip, cable
18	24 154 01	1	Clip, inlet needle valve
19	24 462 01	1	Valve, inlet needle
20	24 086 09	4	Screw, sems pan hd.
21	24 041 09	1	Gasket, carburetor body
22	24 153 02	1	O-Ring, slow jet
23	24 337 29	1	Jet, slow
24	24 757 02	1	Kit, float repair
25	24 081 05	1	Housing, pump
26	24 757 08	1	Kit repair-accelerator pump

Ref. No.	Part No.	Qty.	Description
27	24 079 07	1	Linkage, rod
28	24 757 09		Kit repair-accelerator pump diagram
		1	
29	24 090 16	1	Lever, rod
30	24 079 06	1	Linkage, rod
31	24 089 27	1	Spring, Linkage
32	24 090 15	1	Lever, Linkage
33	24 337 30	1	Jet, main
34	24 086 10	1	Screw, idle speed adj.
35	24 089 10	1	Spring, idle speed adj.
36	24 757 01		Kit, solenoid asm.
		1	(Includes 37-42)
37	24 153 06	1	O-Ring, solenoid
38	24 521 01	1	Seat, solenoid
39	24 153 05	1	O-Ring, solenoid
40	24 153 04	1	O-Ring, solenoid
41	24 435 01	1	Solenoid
42	24 086 07	2	Screw, sems pan hd.
43	24 089 11	1	Spring, idle adj.
44	24 368 01	1	Needle, idle adj.6
*	24 757 03	1	Kit, carburetor repair
*	24 757 07		Kit, choke repair
		1	(Includes 17)
	24 173 02	1	Cap, choke lever

*Not Illustrated

†For Information Only-Not Available Separately
Obtain Parts From Kohler



Group 9 – Engine Controls (CH25S 68606 Kohler)

Ref. No.	Part No.	Qty.	Description
1	M-0547050	1	Nut, hex. lock
2	24 089 03	1	Spring, choke return
3	M-0645016	4	Screw, hex. flange
4	24 126 56	1	Bracket, control
5	24 468 01	3	Washer, plain
6	24 090 07	1	Lever, throttle actuator
7	12 237 01	2	Clamp, cable
8	M-0545016	2	Screw, hex. flange
9	24 090 03	1	Lever, throttle control
10	M-0446030	1	Nut, hex
11	M-0401030	1	Screw, hex. cap
12	24 079 02	1	Linkage, choke
13	24 090 05	1	Lever, choke
14	41 468 03	1	Washer, spring
15	M-0545020	1	Screw, hex. flange
16	24 089 38	1	Spring, throttle limiter
17	24 089 15	1	Spring, governor
18	SM-0642025	1	Screw, hex. flange
19	24 090 14	1	Lever, governor
20	M-0641060	1	Nut, hex. flange
21	25 158 11	1	Bushing, linkage retaining
22	24 089 01	1	Spring, linkage
23	25 158 08	1	Bushing, linkage retaining

Ref. No.	Part No.	Qty.	Description
24	24 079 01	1	Linkage, throttle

Obtain Parts From Kohler

