



Count on it.

Parts Catalog

Sentinel Controller Series

Model No. SENTINEL V3 SERIES



Ordering Replacement Parts

To order replacement parts, please supply the part number, the quantity, and the description of each part desired.

Understanding Reference Numbers

Each identified part in an illustration has a reference number. The reference number for a part also appears in the parts list, along with other information about the part.

This catalog uses two special reference number formats, one to indicate parts in a service assembly and another to indicate the quantity of a given part in an illustration.

Service Assembly Reference Numbers

Parts in service assemblies have reference numbers in the form a:b. The a represents the reference number of the entire service assembly and the b represents a sequential number unique to each part within the service assembly.

For example, a wheel assembly might be identified by reference number 6, the tire by 6:1, the valve by 6:2, and the wheel by 6:3. When you order the assembly identified by reference number 6, you receive all parts identified by reference numbers 6:1, 6:2, and 6:3. However, you may also order any part individually. Reference numbers of this type appear in illustration and in parts lists.

Reference Numbers Indicating Quantity

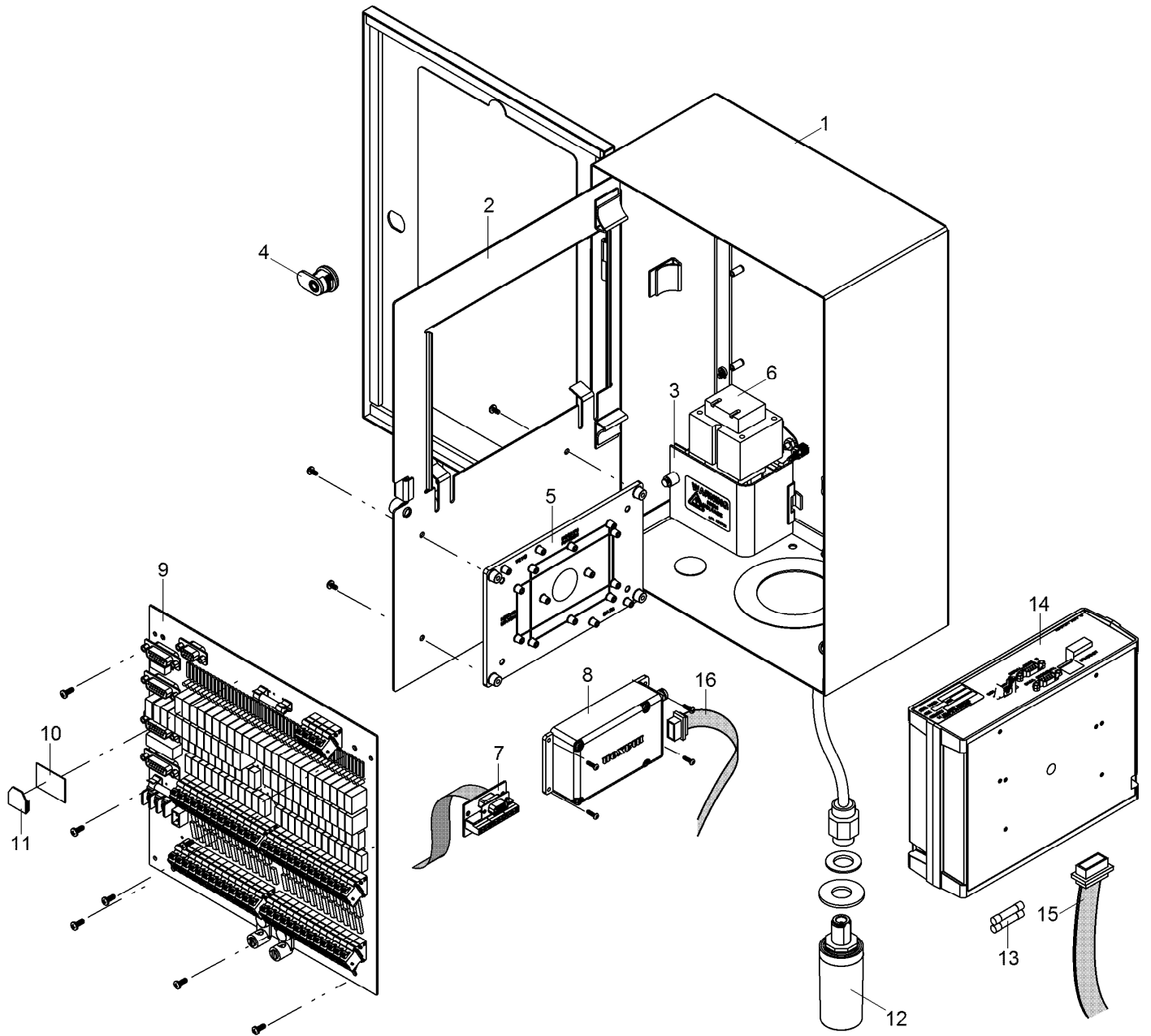
In an illustration, if a reference number indicates more than one part, the reference number has the form nX y. The n represents the quantity of the part, the X is the multiplication symbol, and the y represents the reference number.

For example, in an illustration, the reference number 2X 37 means that two of the parts identified by reference number 37 are indicated.

Contents

Sentinel WS1, Conventional and Wireless Models	4
Sentinel WS3, Conventional and No Keypad Models	6
Sentinel WS5, Conventional and Wireless Models	8
Sentinel PS1, Conventional and Wireless Models	10
Sentinel PP1, PP2 and PP3	12
Sentinel V3 Control Module	14
Sentinel 2-Wire Decoder	16
Sentinel WS1, AC Two-Wire	18
Sentinel WS5, AC Two-Wire	20
Sentinel PS1, AC Two-Wire	22
Sentinel PP1, PP2 and PP3 - AC Two-Wire	24

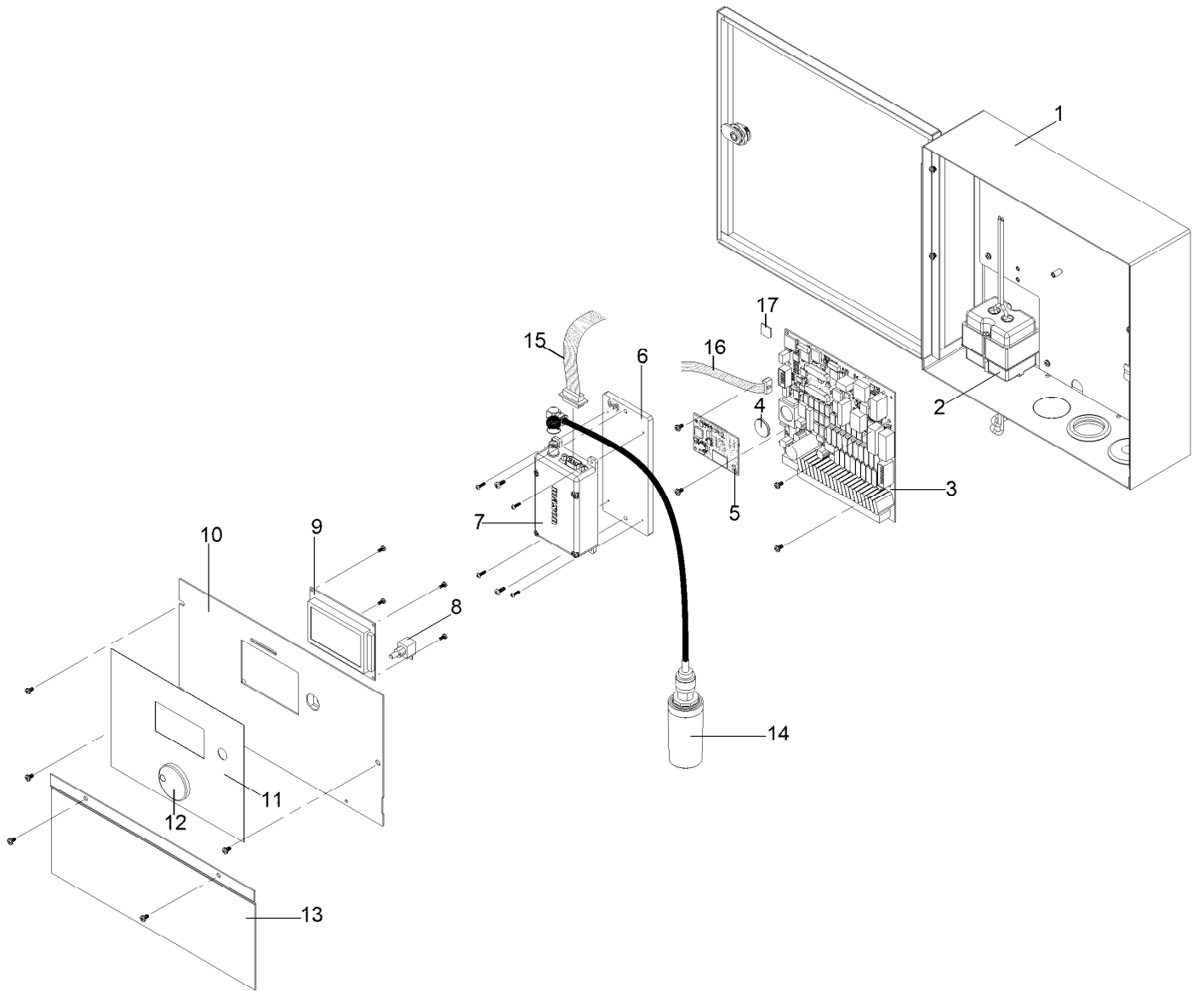
Sentinel WS1, Conventional and Wireless Models



Sentinel WS1, Conventional and Wireless Models (continued)

<i>Ref.</i>	<i>Part Number</i>	<i>Qty.</i>	<i>Description</i>	<i>Ref.</i>	<i>Part Number</i>	<i>Qty.</i>	<i>Description</i>
1	118-6025	1	Cabinet Assembly	10	118-3109	1	Sentinel Wob Module, Slave (Wireless Models Only)
2	118-6030	1	Inner Door	11	364-1790	1	Mod, Xbee (Wireless Models Only)
3	118-6026	1	Transformer Cover	12	SB-ANT-ATX4	1	450-470 Mhz High Profile, Omnidirectional Uhf Antenna
4	363-1414	1	Lock	13	363-9987	2	Small Fuse, 2 Amp, Slow-Blow
5	118-3066	1	Universal Radio Mounting Plate	14	118-2724SK	1	Sentinel Control Module Kit, 12-Station
6	102-3534	1	Transformer, 120 V A.C.	14	118-2725SK	1	Sentinel Control Module Kit, 24-Station
7	SB-DRCA	1	Data Retrieval Assembly W/ Terminal Block (Includes 118-3767)	14	118-2726SK	1	Sentinel Control Module Kit, 36-Station
8	SB-RAD-MAX125	1	Maxon 125 Uhf, (Includes Data Cable, Universal Mounting Plate And Screws)	14	118-2727SK	1	Sentinel Control Module Kit, 48-Station
9	S-121	1	Large 12-Station Conventional Output Board	14	118-3105SK	1	Sentinel Control Module Kit, Wireless (Xbee)
9	S-241	1	Large 24-Station Conventional Output Board	14	118-5303	1	Sentinel Control Module Kit, No Keypad, 12-Station
9	S-361	1	Large 36-Station Conventional Output Board	14	118-5304	1	Sentinel Control Module Kit, No Keypad, 24-Station
9	S-481	1	Large 48-Station Conventional Output Board	14	118-5305	1	Sentinel Control Module Kit, No Keypad, 36-Station
9	W121-XB	1	Large 12-Station Short-Range (Xbee) Wireless Output Board	14	118-5306	1	Sentinel Control Module Kit, No Keypad, 48-Station
9	W241-XB	1	Large 24-Station Short-Range (Xbee) Wireless Output Board	15	102-5865	4	Station Cable Assy., 17 Inch
9	W361-XB	1	Large 36-Station Short-Range (Xbee) Wireless Output Board	16	102-5868	1	Data Retrieval Cable Assy.
9	W481-XB	1	Large 48-Station Short-Range (Xbee) Wireless Output Board				

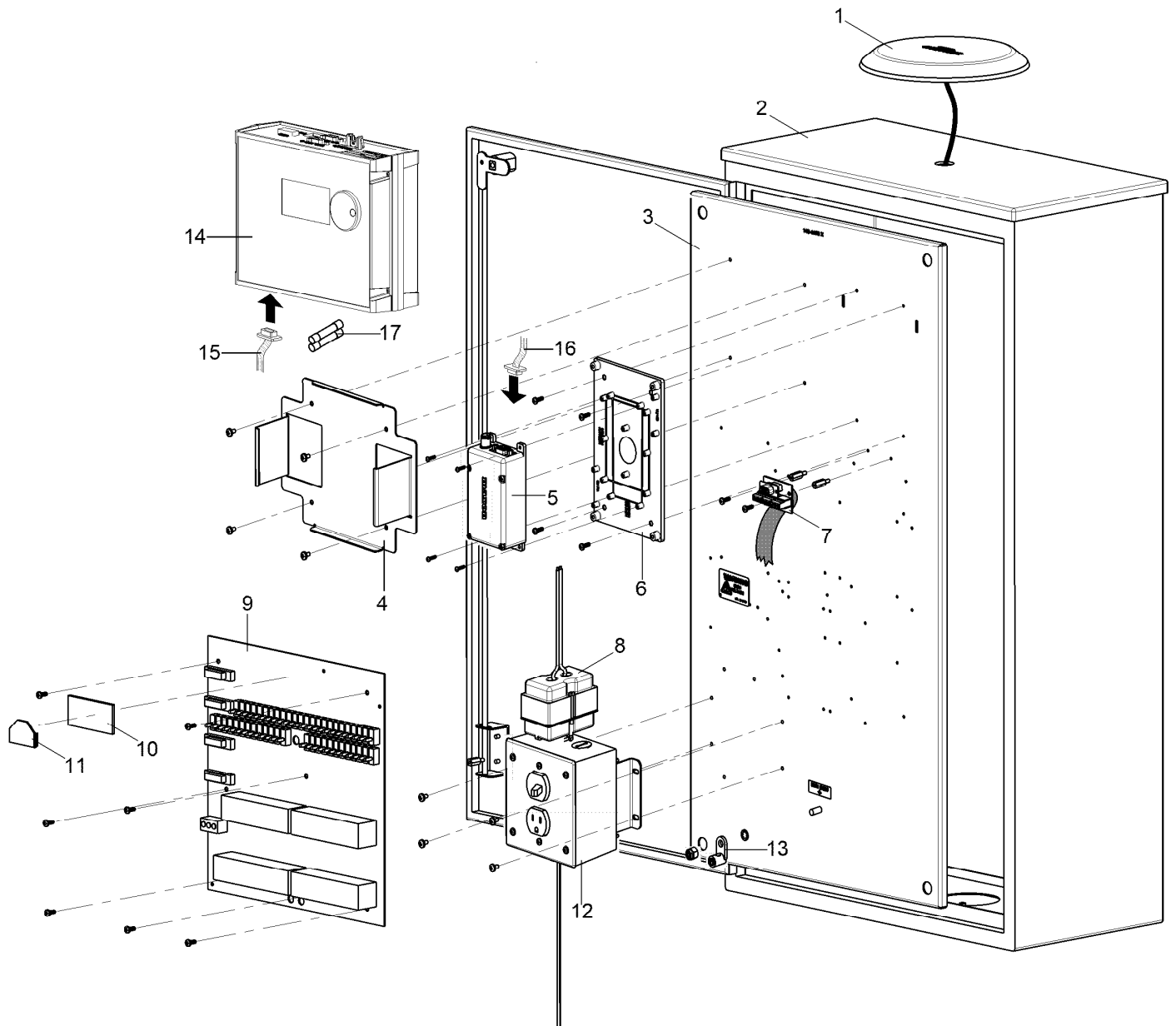
Sentinel WS3, Conventional and No Keypad Models



Sentinel WS3, Conventional and No Keypad Models (continued)

<i>Ref.</i>	<i>Part Number</i>	<i>Qty.</i>	<i>Description</i>	<i>Ref.</i>	<i>Part Number</i>	<i>Qty.</i>	<i>Description</i>
1	118-3785	1	Cabinet Assembly	8	364-0341	1	Encoder, Rotary, Optical
2	615901-H	1	Transformer, 120 V A.C.	9	118-1724	1	Sentinel Display Adapter
3	118-2853SK	1	Sentinel 9-Station Control Module Board	10	118-5211	1	Upper Panel
3	118-2854SK	1	Sentinel 12-Station Control Module Board	11	118-2735	1	Keypad Overlay
3	118-2855SK	1	Sentinel 18-Station Control Module Board	12	364-1771	1	Plastic Knob
4	363-8154	1	Lithium Coin Battery, 2032	13	118-5212	1	Lower Panel
5	118-3674	1	Micro Board Assy.	14	SB-ANT-ATX4	1	450-470 Mhz High Profile, Omnidirectional Uhf Antenna
6	118-4353	1	Universal Radio Mounting Plate	15	102-5868	1	Data Retrieval Cable Assy.
7	SB-RAD-MAX125	1	Maxon 125 Uhf, (Includes Data Cable, Universal Mounting Plate And Screws)	16	102-5865	1	Station Cable Assy., 17 Inch
				17	363-6624	1	1 Gb Sd Card

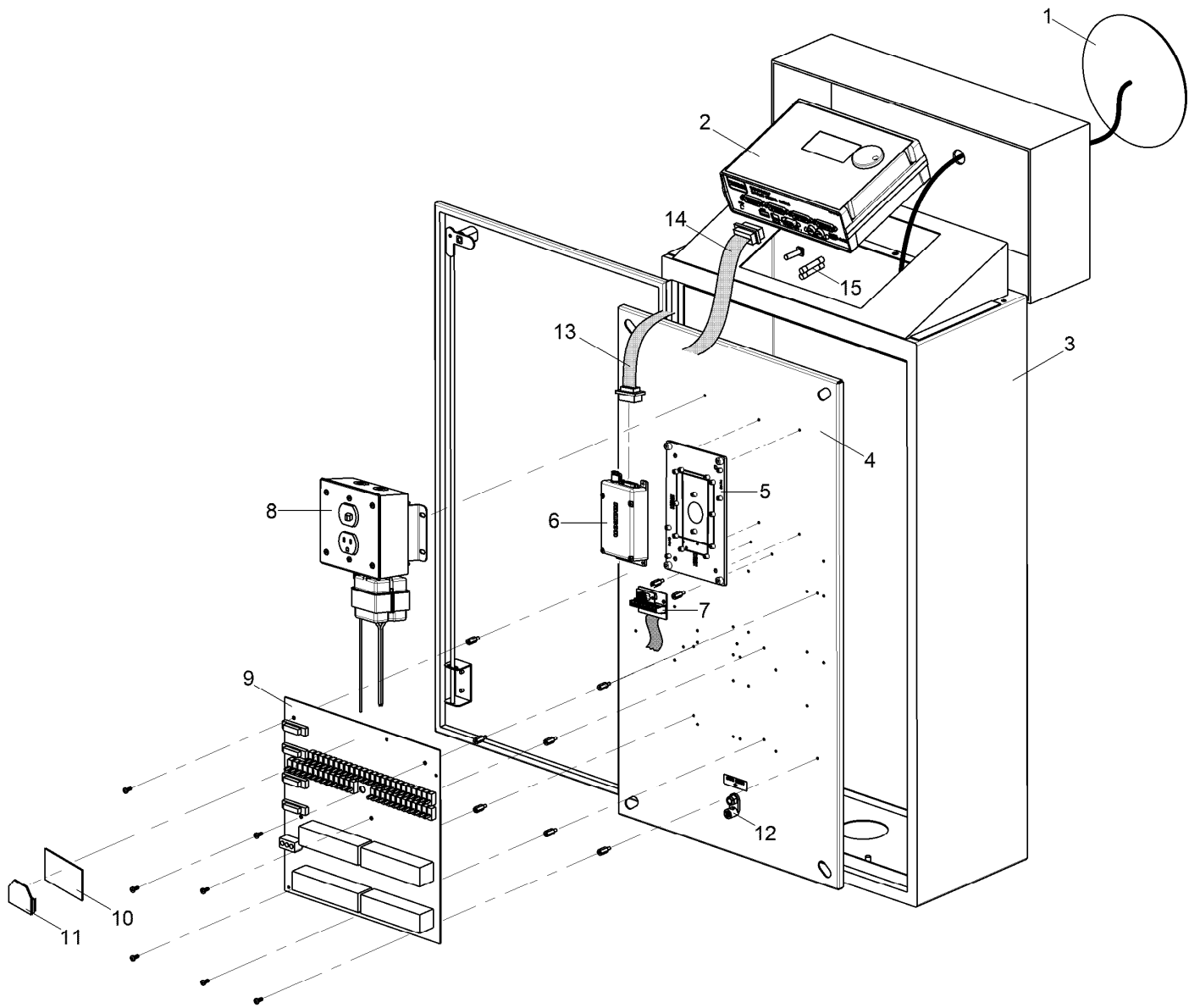
Sentinel WS5, Conventional and Wireless Models



Sentinel WS5, Conventional and Wireless Models (continued)

<i>Ref.</i>	<i>Part Number</i>	<i>Qty.</i>	<i>Description</i>	<i>Ref.</i>	<i>Part Number</i>	<i>Qty.</i>	<i>Description</i>
1	SB-ANT-VRA4	1	450-470 Mhz Low Profile, Omnidirectional Uhf Antenna	9	W241-XB	1	Large 24-Station Short-Range (Xbee) Wireless Output Board
2	363-6193	1	Ws5 Enclosure	9	W361-XB	1	Large 36-Station Short-Range (Xbee) Wireless Output Board
3	118-4170	1	Back Plate, Ws5	9	W481-XB	1	Large 48-Station Short-Range (Xbee) Wireless Output Board
4	118-4198	1	Mounting Bracket, Timing Mechanism	10	118-3109	1	Sentinel Wob Module, Slave (Wireless Models Only)
5	SB-RAD-MAX125	1	Maxon 125 Uhf, (Includes Data Cable, Universal Mounting Plate And Screws)	11	364-1790	1	Mod, Xbee (Wireless Models Only)
6	118-3066	1	Universal Radio Mounting Plate	12	118-4291	1	Junction Box Assembly
7	SB-DRCA	1	Data Retrieval Assembly W/ Terminal Block (Includes 118-3767)	13	363-8639	1	Ground Lug
8	102-2369	1	Power Transformer, 115/24 V A.C., 50 Va	14	118-2712SK	1	Control Module, 12-Station
9	S-121	1	Large 12-Station Conventional Output Board	14	118-2724SK	1	Control Module, 24-Station
9	S-241	1	Large 24-Station Conventional Output Board	14	118-2736SK	1	Control Module, 36-Station
9	S-361	1	Large 36-Station Conventional Output Board	14	118-2748SK	1	Control Module, 48-Station
9	S-481	1	Large 48-Station Conventional Output Board	14	118-3105SK	1	Sentinel Control Module Kit, Wireless (Xbee)
9	W121-XB	1	Large 12-Station Short-Range (Xbee) Wireless Output Board	15	102-5865	4	Station Cable Assy., 17 Inch
				16	102-5868	1	Data Retrieval Cable Assy.
				17	363-9987	1	Small Fuse, 2 Amp, Slow-Blow

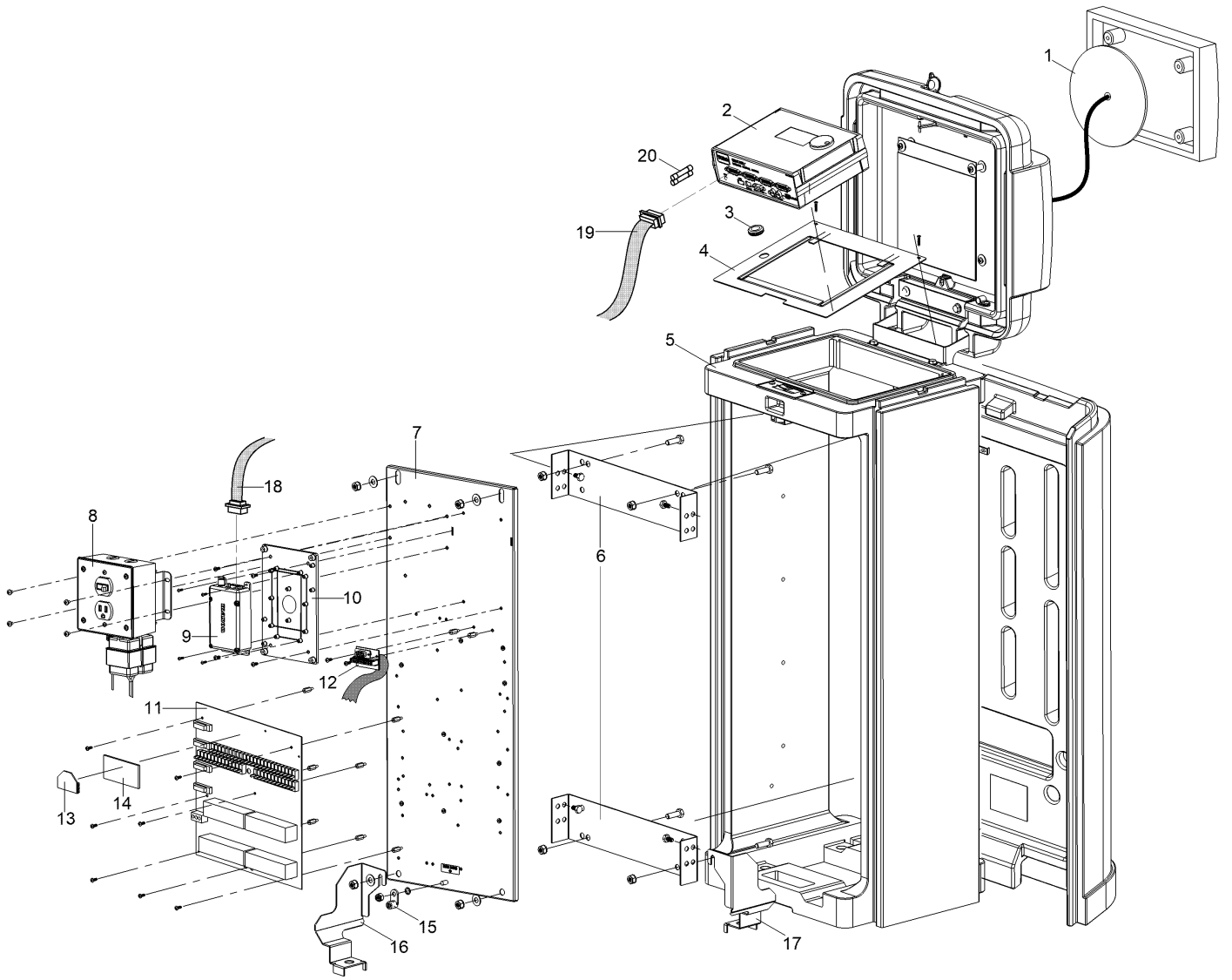
Sentinel PS1, Conventional and Wireless Models



Sentinel PS1, Conventional and Wireless Models (continued)

<i>Ref.</i>	<i>Part Number</i>	<i>Qty.</i>	<i>Description</i>	<i>Ref.</i>	<i>Part Number</i>	<i>Qty.</i>	<i>Description</i>
1	SB-ANT-VRA4	1	450-470 Mhz Low Profile, Omnidirectional Uhf Antenna	9	S-241	1	Large 24-Station Conventional Output Board
2	118-2724SK	1	Sentinel Control Module Kit, 12-Station	9	S-361	1	Large 36-Station Conventional Output Board
2	118-2725SK	1	Sentinel Control Module Kit, 24-Station	9	S-481	1	Large 48-Station Conventional Output Board
2	118-2726SK	1	Sentinel Control Module Kit, 36-Station	9	W121-XB	1	Large 12-Station Short-Range (Xbee) Wireless Output Board
2	118-2727SK	1	Sentinel Control Module Kit, 48-Station	9	W241-XB	1	Large 24-Station Short-Range (Xbee) Wireless Output Board
2	118-3105SK	1	Sentinel Control Module Kit, Wireless (Xbee)	9	W361-XB	1	Large 36-Station Short-Range (Xbee) Wireless Output Board
3	363-6194	1	Ps1 Enclosure	9	W481-XB	1	Large 48-Station Short-Range (Xbee) Wireless Output Board
4	118-4516	1	Back Plate, Ps1	10	118-3109	1	Sentinel Wob Module, Slave (Wireless Models Only)
5	118-3066	1	Universal Radio Mounting Plate	11	364-1790	1	Mod, Xbee (Wireless Models Only)
6	SB-RAD-MAX125	1	Maxon 125 Uhf, (Includes Data Cable, Universal Mounting Plate And Screws)	12	363-8639	1	Ground Lug
7	SB-DRCA	1	Data Retrieval Assembly W/ Terminal Block (Includes 118-3767)	13	102-5868	1	Data Retrieval Cable Assy.
8	118-4320	1	Power Supply Junction Box Assy.	14	102-5865	4	Station Cable, 17 Inch
9	S-121	1	Large 12-Station Conventional Output Board	15	363-9987	2	Small Fuse, 2 Amp, Slow-Blow

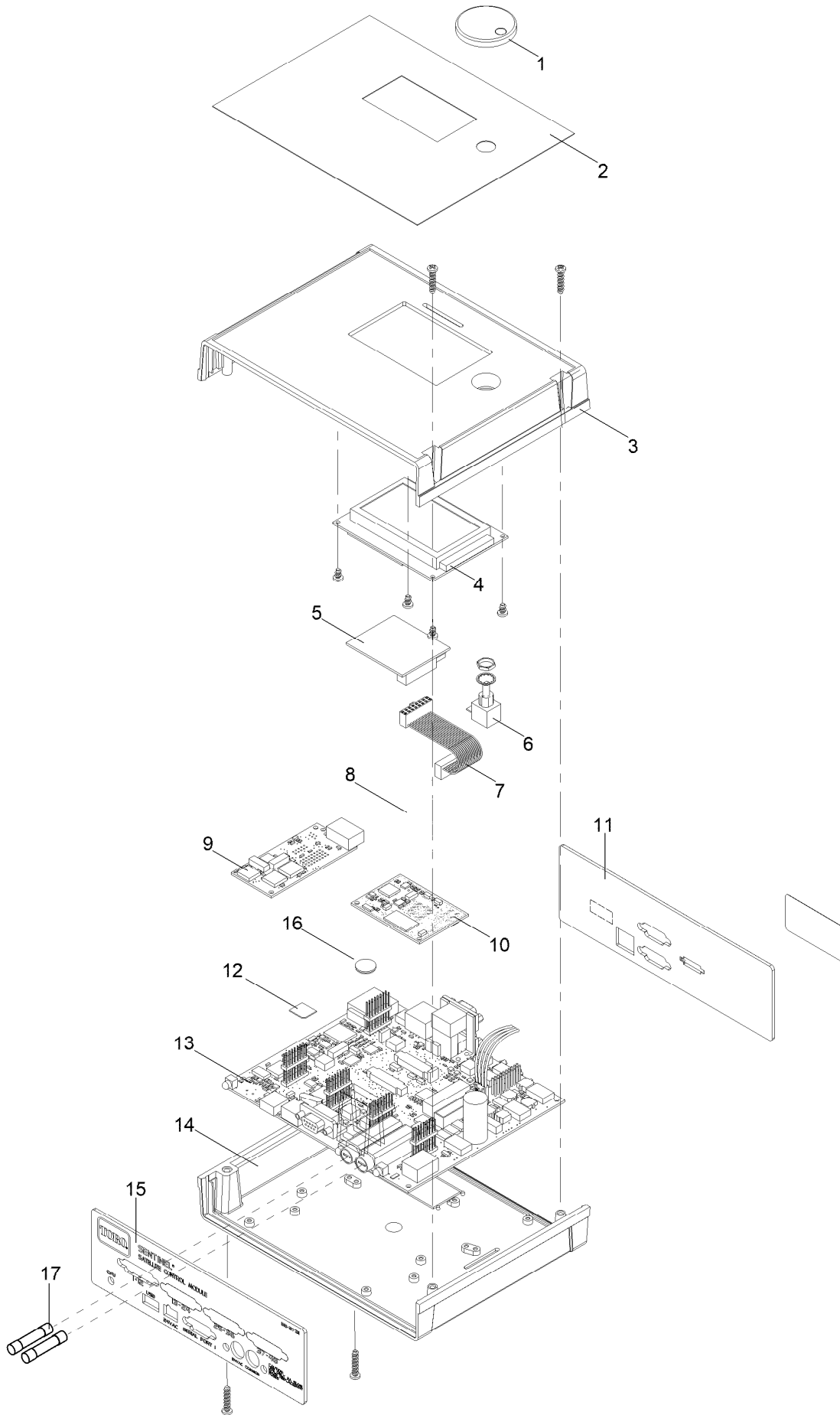
Sentinel PP1, PP2 and PP3



Sentinel PP1, PP2 and PP3 (continued)

<i>Ref.</i>	<i>Part Number</i>	<i>Qty.</i>	<i>Description</i>	<i>Ref.</i>	<i>Part Number</i>	<i>Qty.</i>	<i>Description</i>
1	SB-ANT-VRA4	1	450-470 Mhz Low Profile, Omnidirectional Uhf Antenna	11	S-361	1	Large 36-Station Conventional Output Board
2	118-2724SK	1	Sentinel Control Module Kit, 12-Station	11	S-481	1	Large 48-Station Conventional Output Board
2	118-2725SK	1	Sentinel Control Module Kit, 24-Station	11	W121-XB	1	Large 12-Station Short-Range (Xbee) Wireless Output Board
2	118-2726SK	1	Sentinel Control Module Kit, 36-Station	11	W241-XB	1	Large 24-Station Short-Range (Xbee) Wireless Output Board
2	118-2727SK	1	Sentinel Control Module Kit, 48-Station	11	W361-XB	1	Large 36-Station Short-Range (Xbee) Wireless Output Board
2	118-3105SK	1	Sentinel Control Module Kit, Wireless (Xbee)	11	W481-XB	1	Large 48-Station Short-Range (Xbee) Wireless Output Board
3	363-4419	1	Rubber Grommit	12	SB-DRCA	1	Data Retrieval Assembly W/ Terminal Block (Includes 118-3767)
4	118-4337	1	Top Tray	13	364-1790	1	Mod, Xbee (Wireless Models Only)
5	118-0828	1	Plastic Pedestal Assembly (See Plastic Pedestal Parts Breakout)	14	118-3109	1	Sentinel Wob Module, Slave (Wireless Models Only)
6	118-1015	2	Bracket	15	363-8639	1	Ground Lug
7	118-3086	1	Backplate, Bare	16	102-3073	1	Foot Support Bracket
8	118-4320	1	Power Supply Junction Box Assy.	17	102-3072	1	Foot Mount Bracket
8	118-4403	1	Power Supply Junction Box Assy., 100Va	18	102-5868	1	Data Retrieval Cable Assy.
9		1	Maxon 125 Uhf, (Includes Data Cable, Universal Mounting Plate And Screws)	19	102-5865	4	Station Cable, 17 Inch
10	118-3066	1	Universal Radio Mounting Plate	20	363-9987	2	Small Fuse, 2 Amp, Slow-Blow
11	S-121	1	Large 12-Station Conventional Output Board				
11	S-241	1	Large 24-Station Conventional Output Board				

Sentinel V3 Control Module

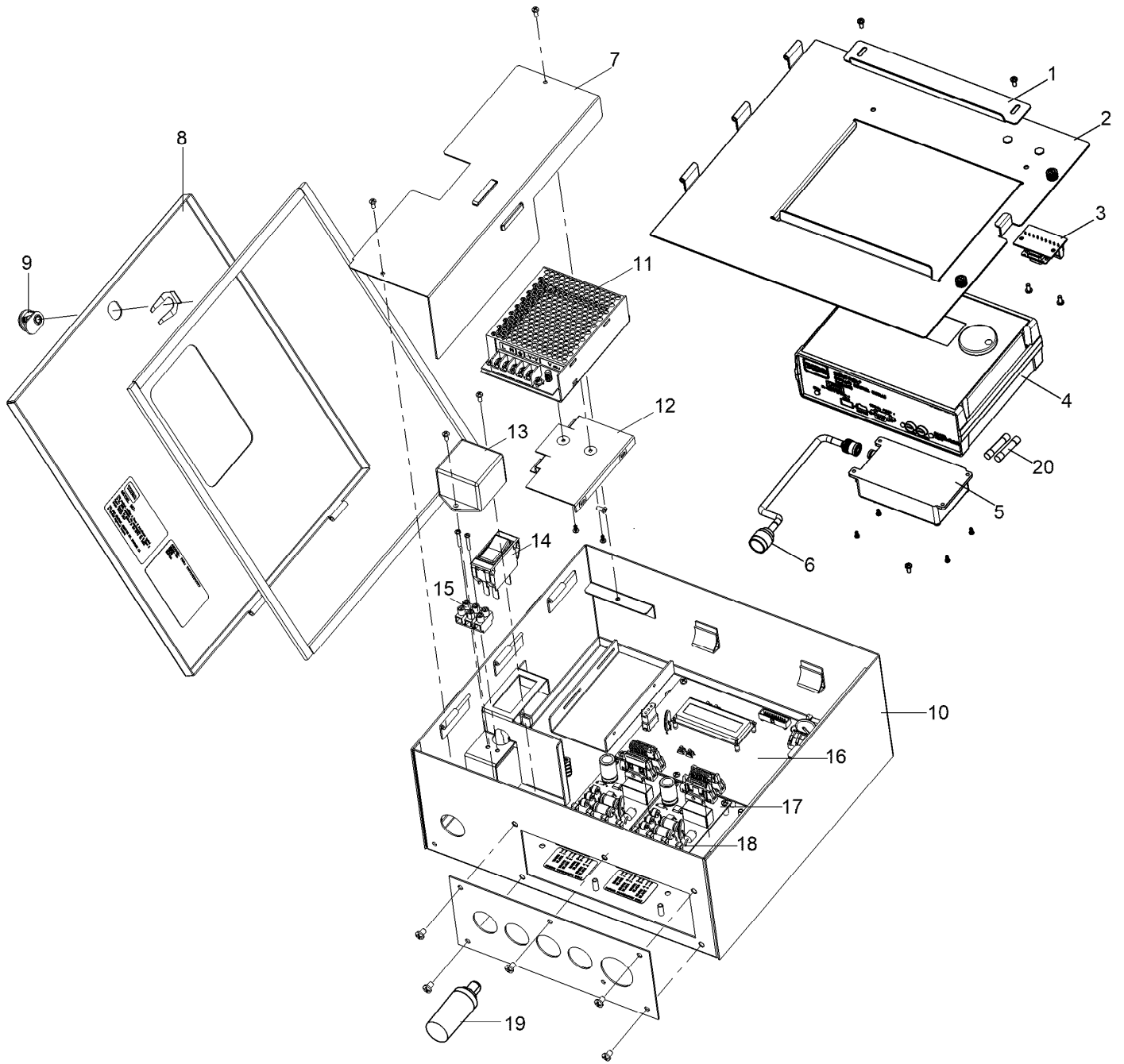


Sentinel V3 Control Module (continued)

<i>Ref.</i>	<i>Part Number</i>	<i>Qty.</i>	<i>Description</i>	<i>Ref.</i>	<i>Part Number</i>	<i>Qty.</i>	<i>Description</i>
1	364-1771	1	Plastic Knob	9	118-1726	1	Radio Adapter
2	118-2735	1	Keypad Overlay	10	118-3674	1	Micro Board Assy.
3	118-2733	1	Top Case	11	118-2734	1	Rear Panel
4	118-1724	1	Sentinel Display Adapter (Includes Item 5)	12	363-6624	1	1 Gb Sd Card
5		1	Display Adapter Board (Included With Item 4)●	13	118-1431	1	Control Module Main Board
6	364-0341	1	Encoder, Rotary, Optical	14	118-2732	1	Bottom Case
7	364-1135	1	Station Cable	15	118-2731	1	Front Panel
8	118-0938	1	Station Output Board	16	363-8154	1	Lithium Coin Battery, 2032
				17	363-9987	2	Small Fuse, 2 Amp, Slow-Blow

● Not serviced separately

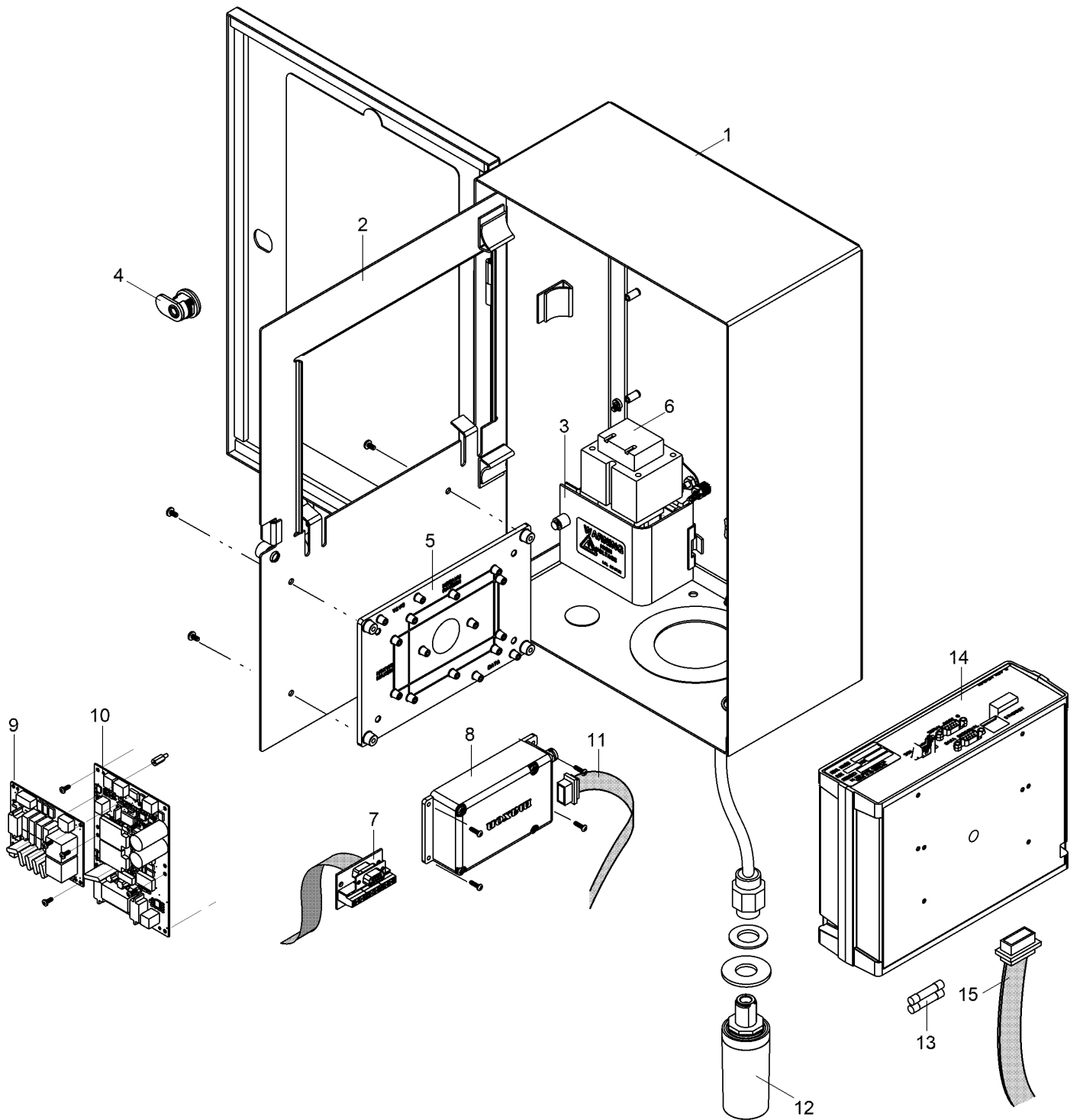
Sentinel 2-Wire Decoder



Sentinel 2-Wire Decoder (continued)

<i>Ref.</i>	<i>Part Number</i>	<i>Qty.</i>	<i>Description</i>	<i>Ref.</i>	<i>Part Number</i>	<i>Qty.</i>	<i>Description</i>
1	102-3424	1	Upper Bracket, Tm	12	118-0475	1	Power Supply Bracket, Upper
2	102-5049	1	Panel, Gateway, Decoder (Stand-Alone Models Only)	13	102-9741	1	Ttf, Filter Assembly
3	SB-DRCA	1	Data Retrieval Assembly W/ Terminal Block (Includes 118-3767)	14	363-3361	1	Switch, Circuit Breaker, 1.5A
4	118-3106SK	1	Sentinel 2-Wire Timing Mechanism	15	363-8650	1	Terminal Block, 3-Position
5	SB-RAD-MAX125	1	Maxon 125 Uhf, (Includes Data Cable, Universal Mounting Plate And Screws)	16	118-2750SK	1	Motherboard Assembly With Tricomm, Gateway Decoder
6	102-5739	1	Antenna Wire	17	118-2749SK	1	Pcb Assy., Gateway Daughterboard
7	118-0496	1	Power Supply Cover, Gateway, Decoder	18	363-8506	1	Fuse, 5 X 20Mm, Fast, 3.15A, 250V
8	102-5048SK	1	Door, Gateway Decoder	19	SB-ANT-ATX4	1	450-470 Mhz High Profile, Omnidirectional Uhf Antenna
9	363-3785	1	Lock Assy. W/Keys	20	363-9987	2	Small Fuse, 2 Amp, Slow-Blow
10	102-5047SK	1	Cabinet, Gateway Decoder				
11	118-0540	1	Power Supply, AC/DC, Gateway, Decoder				

Sentinel WS1, AC Two-Wire



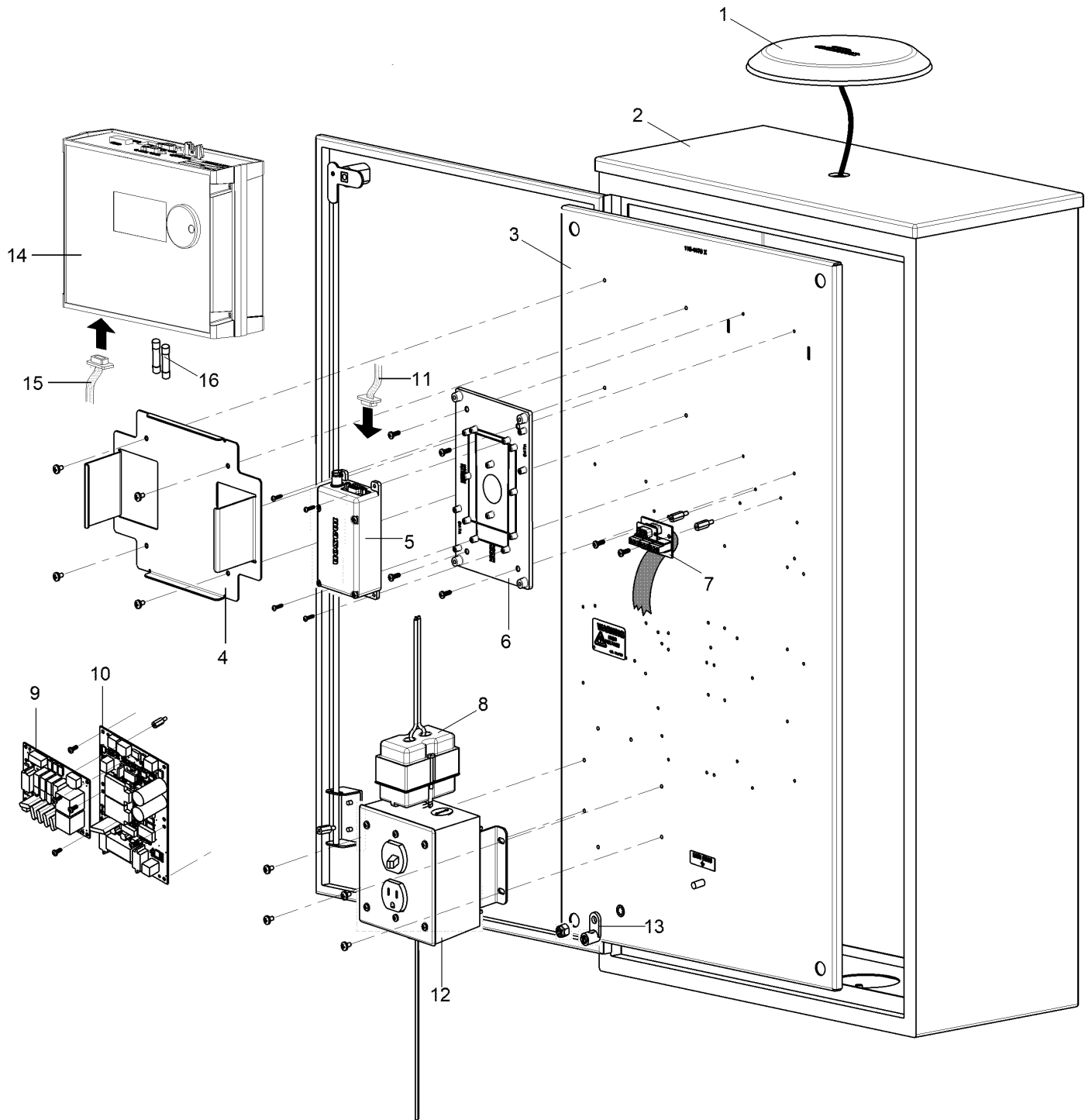
Sentinel WS1, AC Two-Wire (continued)

<i>Ref.</i>	<i>Part Number</i>	<i>Qty.</i>	<i>Description</i>	<i>Ref.</i>	<i>Part Number</i>	<i>Qty.</i>	<i>Description</i>
1	118-6025	1	Cabinet Assembly	10	118-3998	1	AC Decoder Pcb
2	118-6030	1	Inner Door	11	102-5868	1	Data Retrieval Cable Assy.
3	118-6026	1	Transformer Cover	12	SB-ANT-ATX4	1	450-470 Mhz High Profile, Omnidirectional Uhf Antenna
4	363-1414	1	Lock	13	363-9987	2	Small Fuse, 2 Amp, Slow-Blow
5	118-3066	1	Universal Radio Mounting Plate	14	118-3106	1	Sentinel Timing Mechanism, 2-Wire
6	118-0894	1	Transformer, 115 V A.C., 50Va	15	118-0787	1	Cable, Connect Mv To Tm
7	SB-DRCA	1	Data Retrieval Assembly W/ Terminal Block (Includes 118-3767)	118-4459	1	Cable, Connect Mv To Decoder ■●	
8	SB-RAD-MAX125	1	Maxon 125 Uhf, (Includes Data Cable, Universal Mounting Plate And Screws)	118-4460	1	Cable, Connect Decoder To Tm ■●	
9	118-4255	1	Mv Output Board				

● SERVICE ITEMS

■ Not illustrated

Sentinel WS5, AC Two-Wire



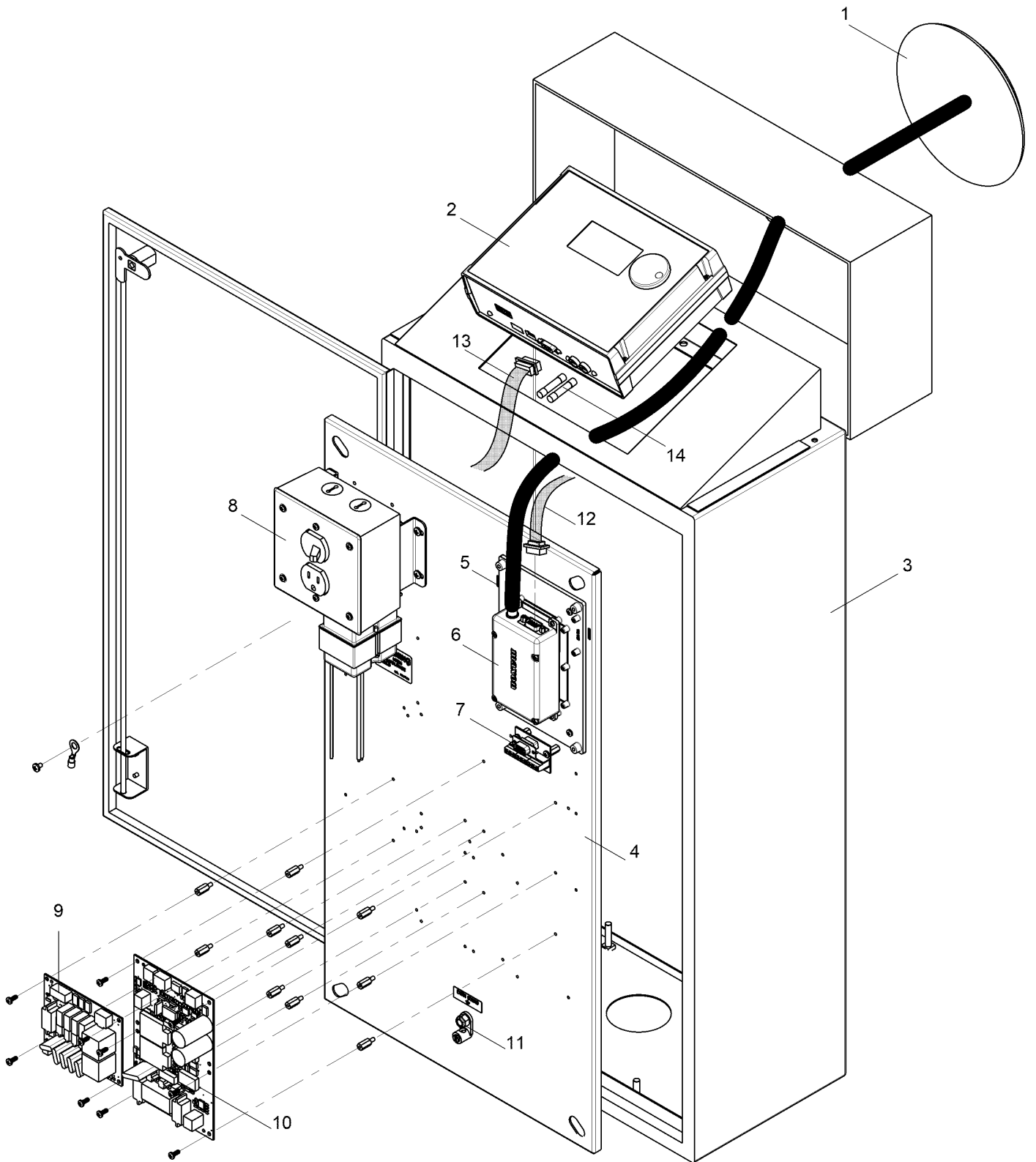
Sentinel WS5, AC Two-Wire (continued)

<i>Ref.</i>	<i>Part Number</i>	<i>Qty.</i>	<i>Description</i>	<i>Ref.</i>	<i>Part Number</i>	<i>Qty.</i>	<i>Description</i>
1	SB-ANT-VRA4	1	450-470 Mhz Low Profile, Omnidirectional Uhf Antenna	9	118-4255	1	Mv Output Board
2	363-6193	1	Ws5 Enclosure	10	118-3998	1	AC Decoder Pcb
3	118-4170	1	Back Plate, Ws5	11	102-5868	1	Data Retrieval Cable Assy.
4	118-4198	1	Mounting Bracket, Timing Mechanism	12	118-4291	1	Junction Box Assembly
5		1	Maxon 125 Uhf, (Includes Data Cable, Universal Mounting Plate And Screws)	13	363-8639	1	Ground Lug
	SB-RAD-MAX125			14	118-3106	1	Sentinel Timing Mechanism, 2-Wire
6	118-3066	1	Universal Radio Mounting Plate	15	118-0787	1	Cable, Connect Mv To Tm
7	SB-DRCA	1	Data Retrieval Assembly W/ Terminal Block (Includes 118-3767)	16	363-9987	2	Small Fuse, 2 Amp, Slow-Blow
8	102-2369	1	Power Transformer, 115/24 V A.C., 50 Va		118-4459	1	Cable, Connect Mv To Decoder ■●
					118-4460	1	Cable, Connect Decoder To Tm ■●

● SERVICE ITEMS

■ Not illustrated

Sentinel PS1, AC Two-Wire



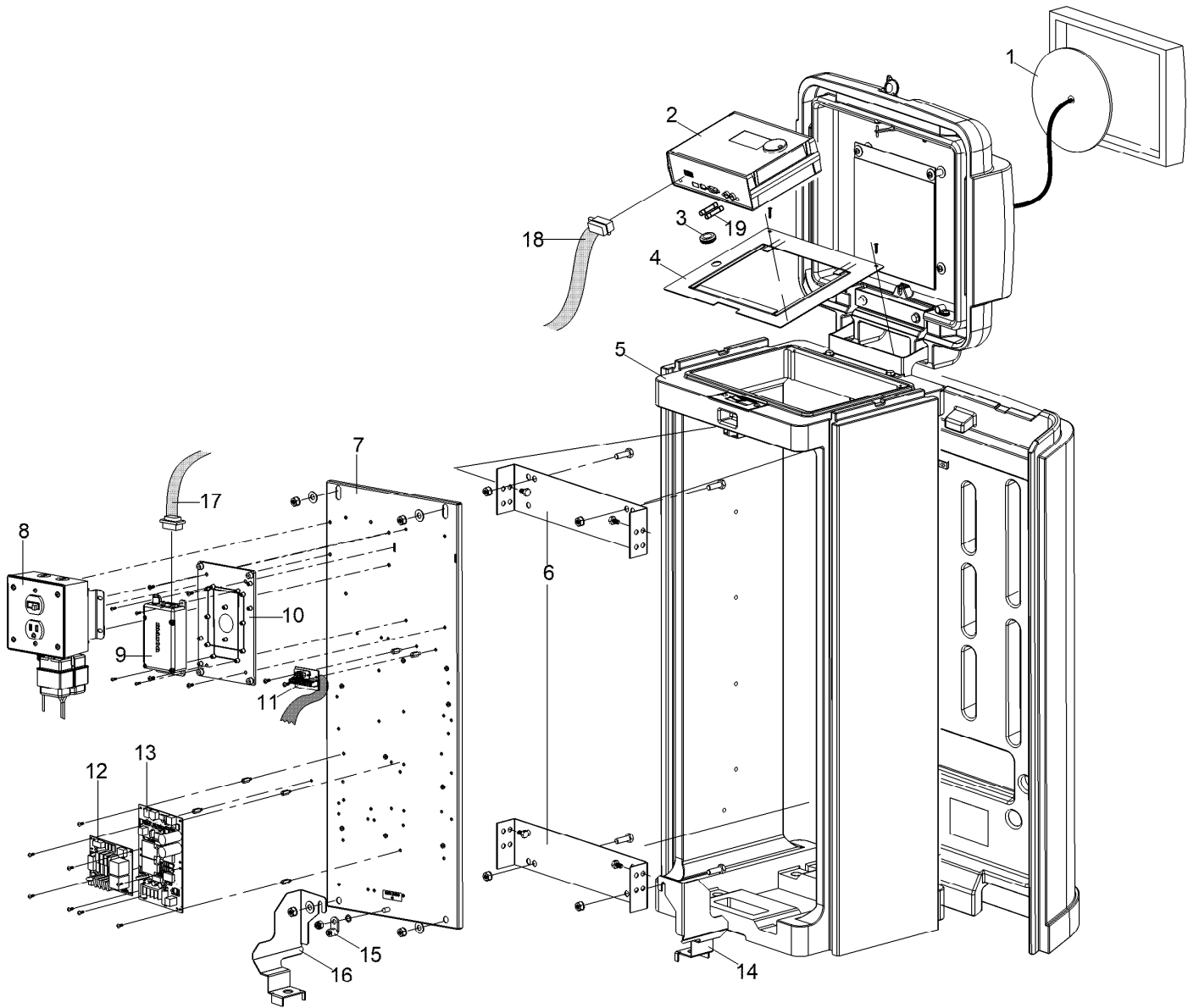
Sentinel PS1, AC Two-Wire (continued)

<i>Ref.</i>	<i>Part Number</i>	<i>Qty.</i>	<i>Description</i>	<i>Ref.</i>	<i>Part Number</i>	<i>Qty.</i>	<i>Description</i>
1	SB-ANT-VRA4	1	450-470 Mhz Low Profile, Omnidirectional Uhf Antenna	8	118-4320	1	Power Supply Junction Box Assy.
2	118-3106	1	Sentinel Timing Mechanism, 2-Wire	9	118-4255	1	Mv Output Board
3	363-6194	1	Ps1 Enclosure	10	118-3998	1	AC Decoder Pcb
4	118-4516	1	Back Plate, Ps1	11	363-8639	1	Ground Lug
5	118-3066	1	Universal Radio Mounting Plate	12	102-5868	1	Data Retrieval Cable Assy.
6		1	Maxon 125 Uhf, (Includes Data Cable, Universal Mounting Plate And Screws)	13	118-4584	1	Cable, Connect Mv To Tm
	SB-RAD-MAX125			14	363-9987	2	Small Fuse, 2 Amp, Slow-Blow
7	SB-DRCA	1	Data Retrieval Assembly W/ Terminal Block (Includes 118-3767)		118-4459	1	Cable, Connect Mv To Decoder ■●
					118-4460	1	Cable, Connect Decoder To Tm ■●

● SERVICE ITEMS

■ Not illustrated

Sentinel PP1, PP2 and PP3 - AC Two-Wire



Sentinel PP1, PP2 and PP3 - AC Two-Wire (continued)

<i>Ref.</i>	<i>Part Number</i>	<i>Qty.</i>	<i>Description</i>	<i>Ref.</i>	<i>Part Number</i>	<i>Qty.</i>	<i>Description</i>
1	SB-ANT-VRA4	1	450-470 Mhz Low Profile, Omnidirectional Uhf Antenna	10	118-3066	1	Universal Radio Mounting Plate
2	118-3106	1	Sentinel Timing Mechanism, 2-Wire	11	SB-DRCA	1	Data Retrieval Assembly W/ Terminal Block (Includes 118-3767)
3	363-4419	1	Rubber Grommit	12	118-4255	1	Mv Output Board
4	118-4337	1	Top Tray	13	118-3998	1	AC Decoder Pcb
5	118-0828	1	Plastic Pedestal Assembly (See Plastic Pedestal Parts Breakout)	14	102-3072	1	Foot Mount Bracket
6	118-1015	2	Bracket	15	363-8639	1	Ground Lug
7	118-3086	1	Backplate, Bare	16	102-3073	1	Foot Support Bracket
8	118-4320	1	Power Supply Junction Box Assy.	17	102-5868	1	Data Retrieval Cable Assy.
8	118-4403	1	Power Supply Junction Box Assy., 100Va	18	118-4584	1	Cable, Connect Mv To Tm
9	SB-RAD-MAX125	1	Maxon 125 Uhf, (Includes Data Cable, Universal Mounting Plate And Screws)	19	363-9987	2	Small Fuse, 2 Amp, Slow-Blow
					118-4460	1	Cable, Connect Decoder To Tm ■●
					118-4459	1	Cable, Connect Mv To Decoder ■●

● SERVICE ITEMS

■ Not illustrated

Notes:

Notes:



Count on it.